

Reference Circuit:
No. 7 for QIAA aQFN73

Use High Voltage Mode
REG0 outputs 1.8V as GPIO Voltage Level

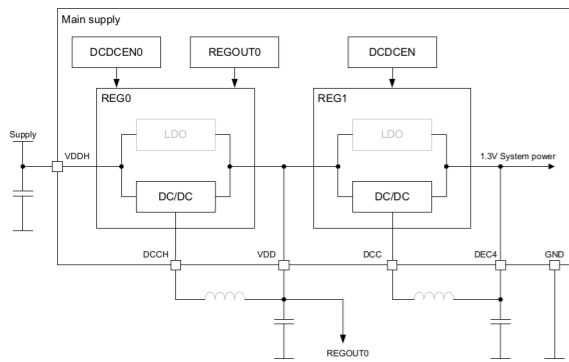
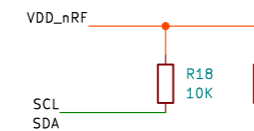


Figure 18: High Voltage mode, DC/DC for REG0 and REG1 enabled

Note: For more information on standard drive, see GPIO — General purpose input/output on page 151. Low frequency I/O is a signal with a frequency up to 10 kHz.



Qingdao lotPi Information Technology Ltd.,

Sheet: /nRF52840/
File: nRF52840.kicad_sch

Title: LTE Tracker

Size: A3 Date:
KiCad E.D.A. 8.0.1

Rev: Rev1.0
Id: 2/8