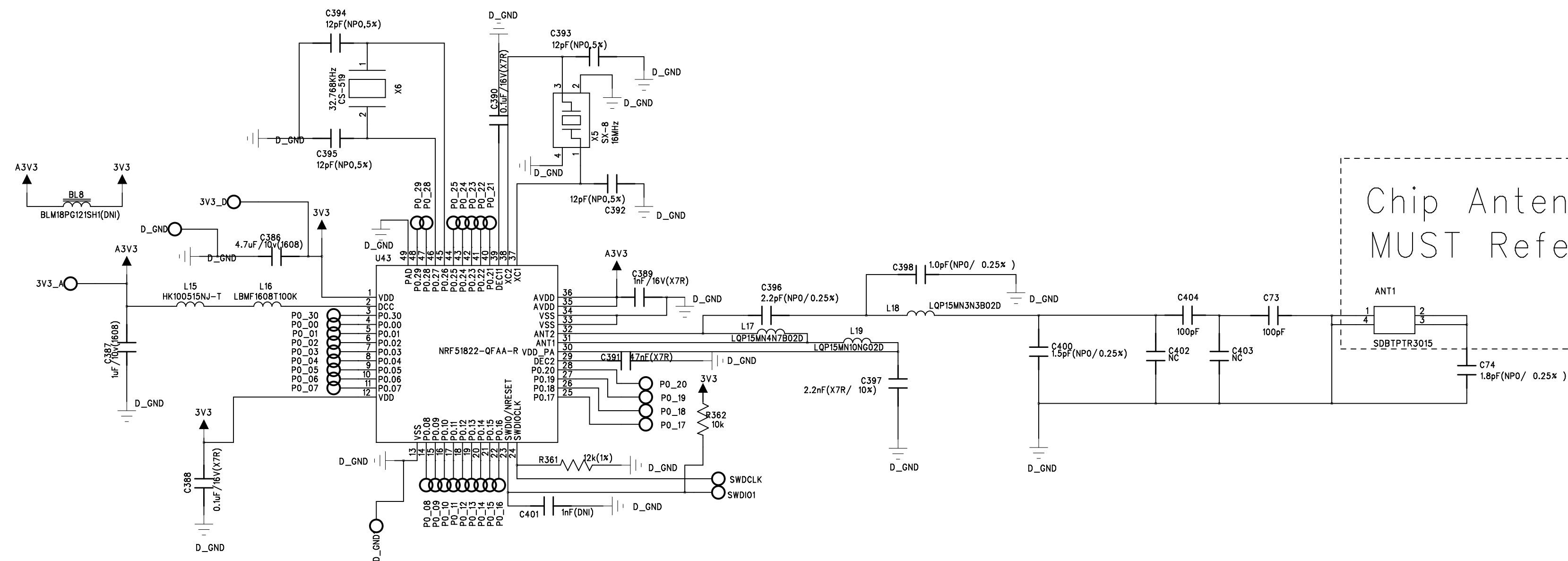


REVISION RECORD			
LTR	ECO NO:	APPROVED:	DATE:

BLE

QFN Type



Chip Antenna
MUST Refer to PCB Design Guide

D

D

C

C

B

B

A

A

DRAWN: <Drawn By>		DATED: <Drawn Date>		COMPANY: <Company Name>	
CHECKED: <Checked By>		DATED: <Checked Date>		TITLE: <Title>	
QUALITY CONTROL: <QC By>		DATED: <QC Date>		CODE: <Code>	SIZE: <Size>
RELEASED: <Released By>		DATED: <Release Date>		DRAWING NO: <Drawing Number>	
		SCALE: <Scale>		REV: <Revision>	
				SHEET: 13 of 13	