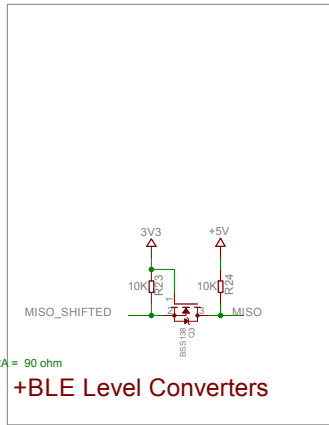
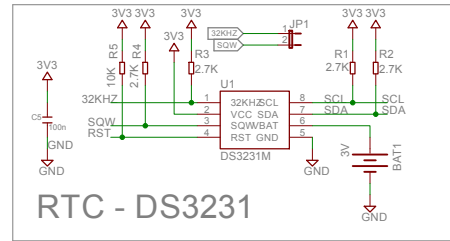


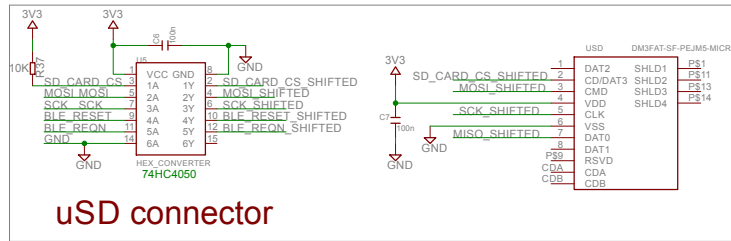
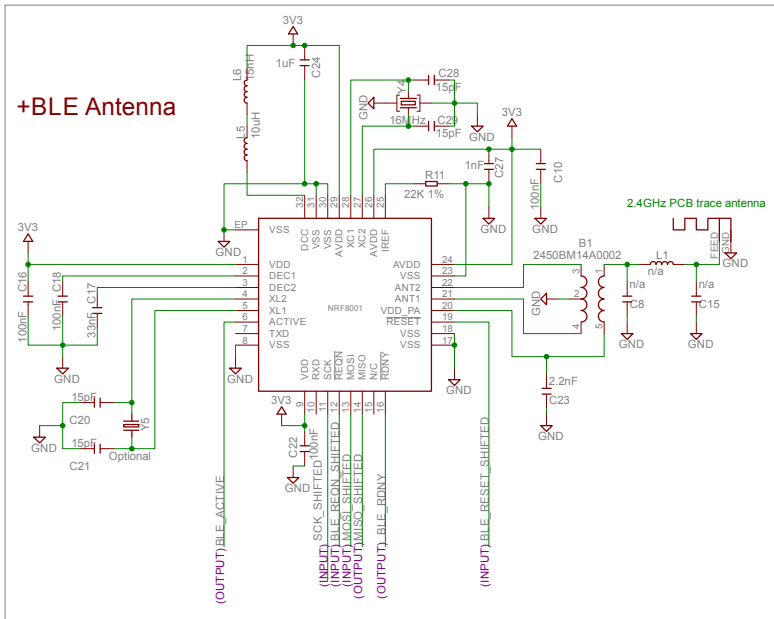
ATmega328/168



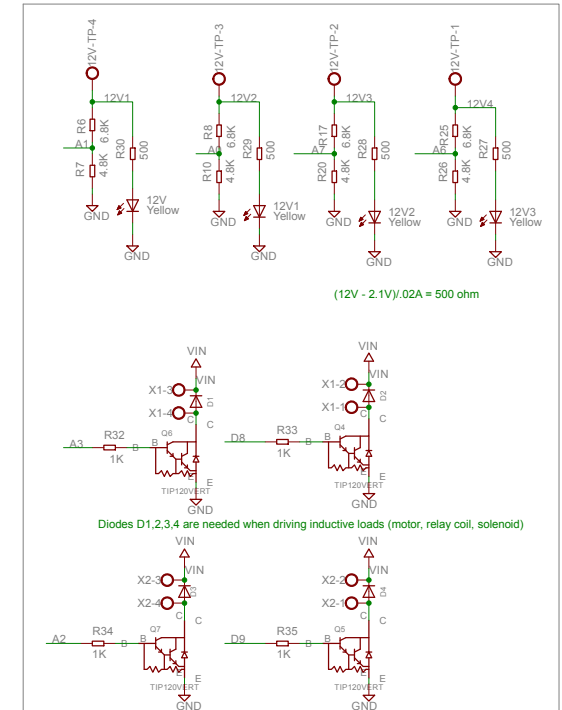
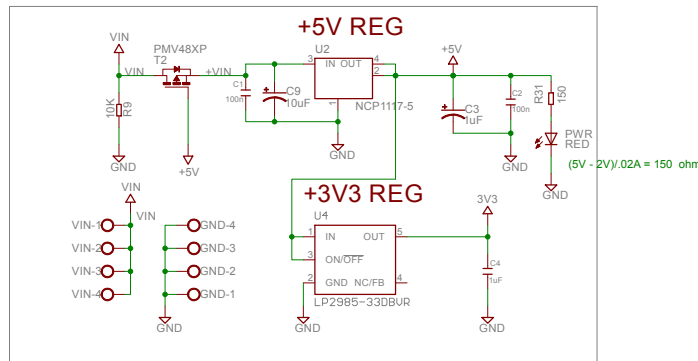
+BLE Level Converters



RTC - DS3231



uSD connector



Diodes D1,2,3,4 are needed when driving inductive loads (motor, relay coil, solenoid)