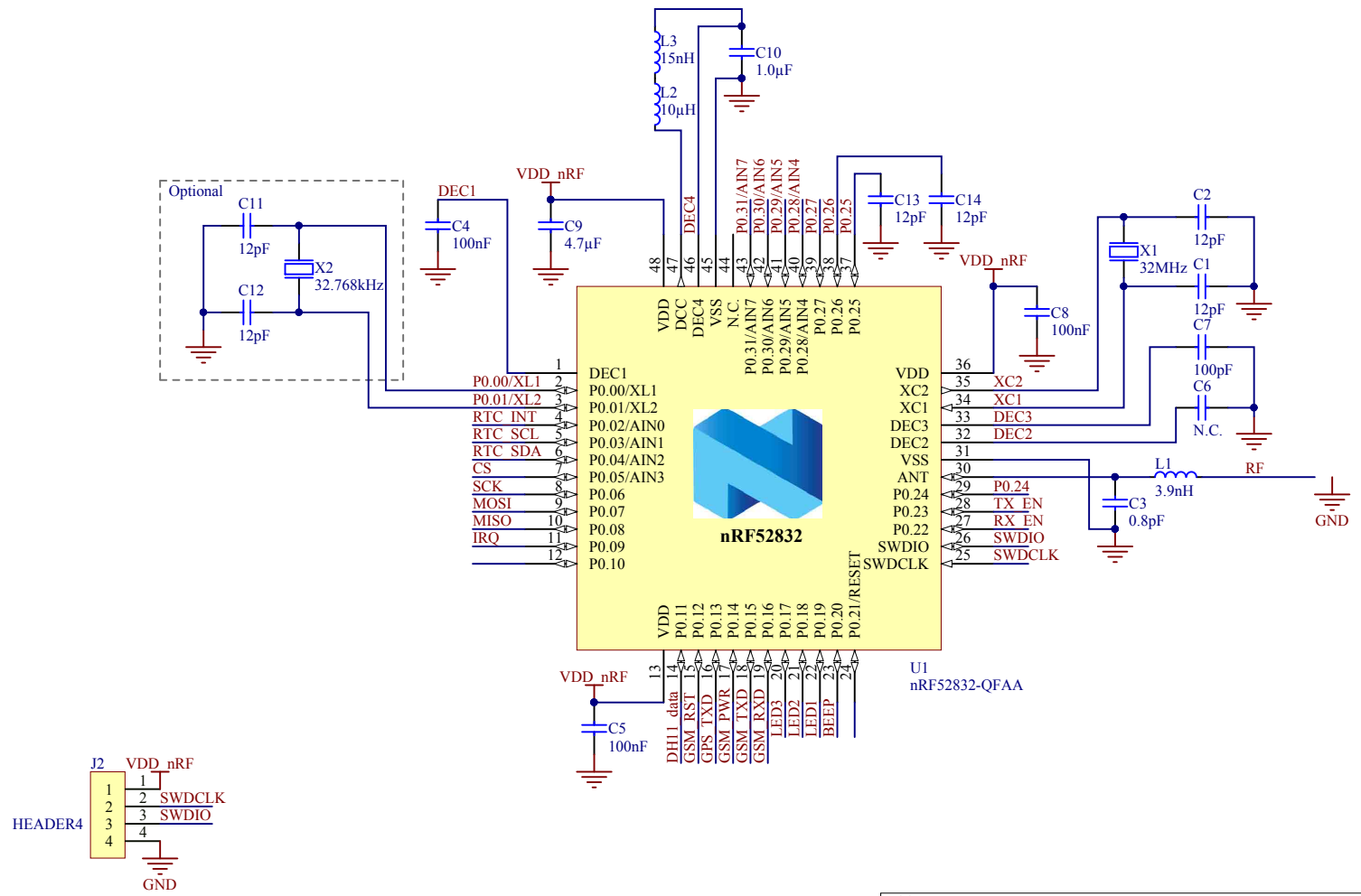
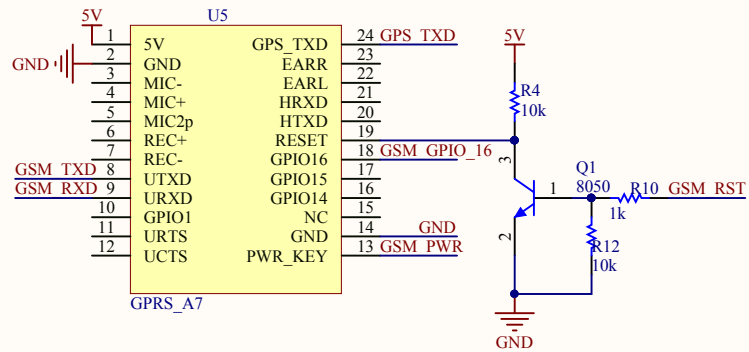


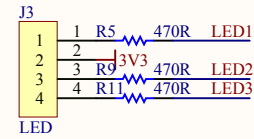
Title nRF52832-QFAA Reference Layout (NFC)		Revision 1.1	
Size A4	Project Number		
Date: 2017/2/23	Sheet 1 of 1		
File: 从机.SchDoc	Drawn By: RUBR/KJP		



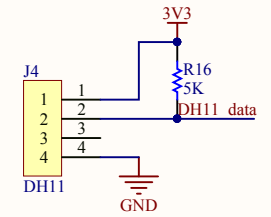
Title nRF52832-QFAA Reference Layout (NFC)		Revision 1.1	
Size A4	Project Number		
Date: 2017/2/23		Sheet 1 of 1	
File: nrf52832_qfaa_nfc.SchDoc		Drawn By: RUBR/KJP	



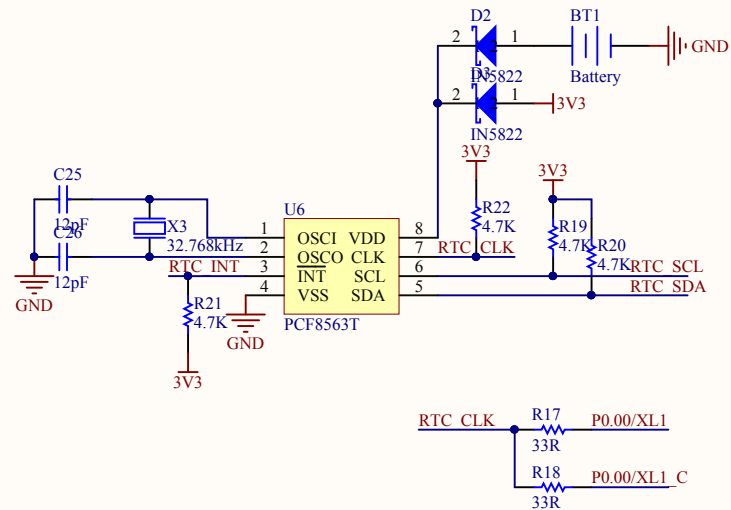
GSM



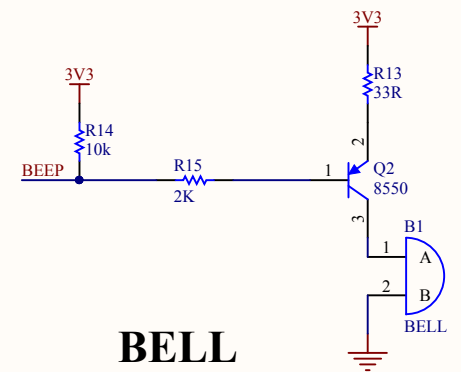
LED



温湿度

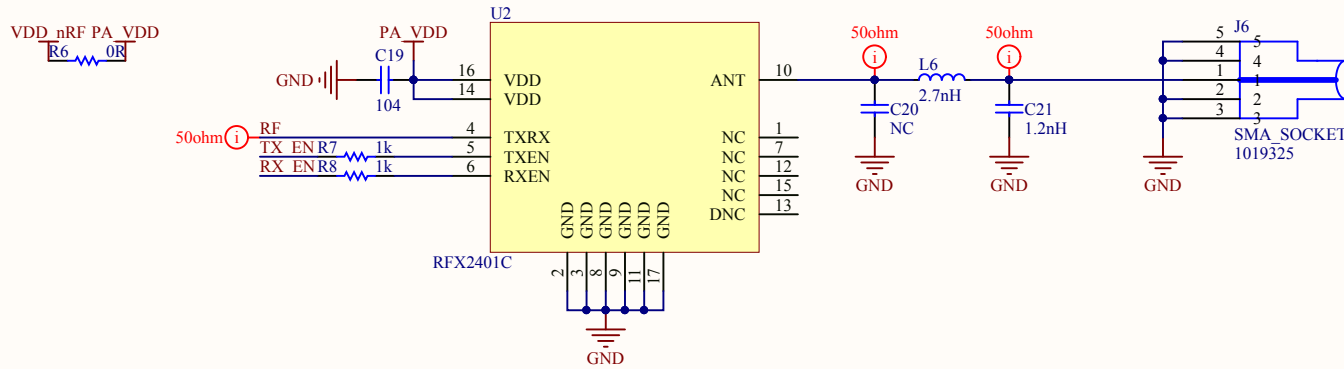


RTC

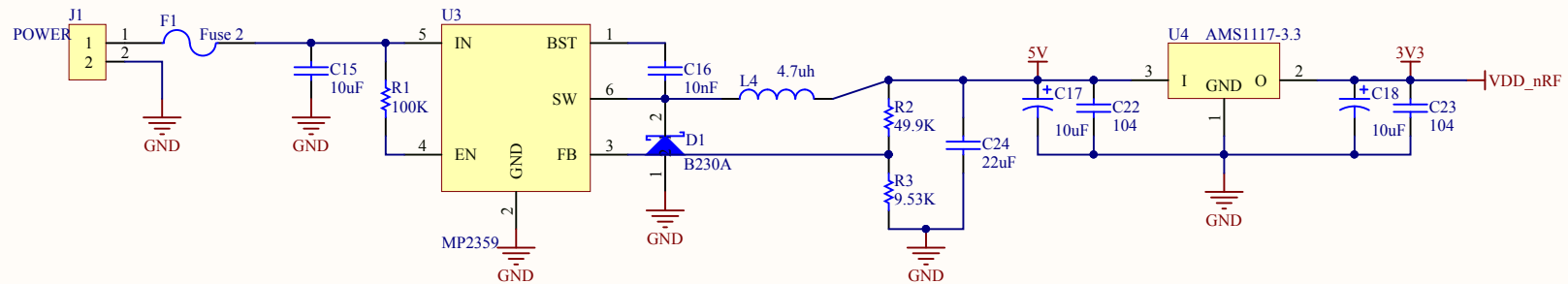


BELL

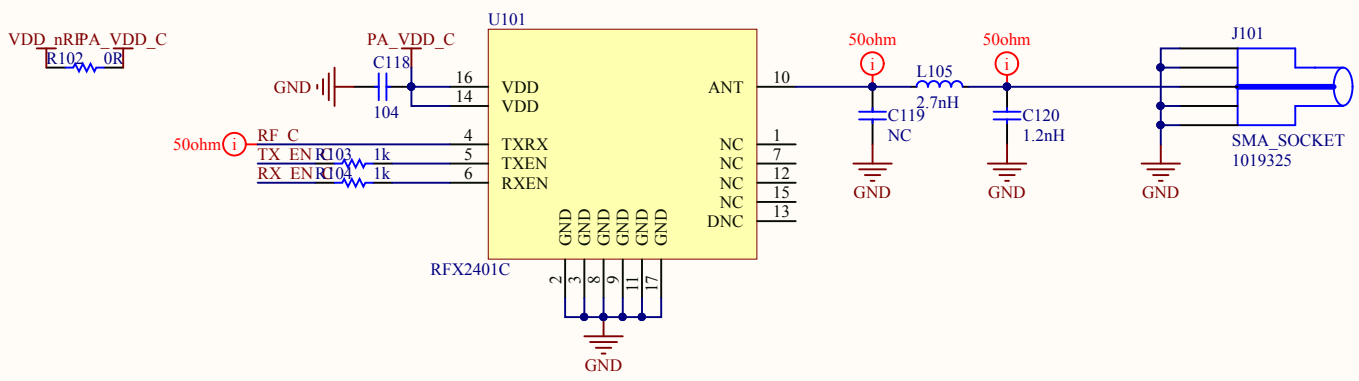
Title		
Size	Number	Revision
A4		
Date:	2017/2/23	Sheet of
File:	E:\PCB\GIS 网关\modules\SchDoc	Drawn By:



Title		
Size	Number	Revision
A4		
Date:	2017/2/23	Sheet of
File:	E:\PCB\GIS 网关\PA.SchDoc	Drawn By:



Title		
Size	Number	Revision
A4		
Date:	2017/2/23	Sheet of
File:	E:\PCB\GIS 网关\Power.SchDoc	Drawn By:



Title		
Size A4	Number	Revision
Date: 2017/2/23	Sheet of	
File: E:\PCB\GIS 网关从机PA.SchDoc	Drawn By:	