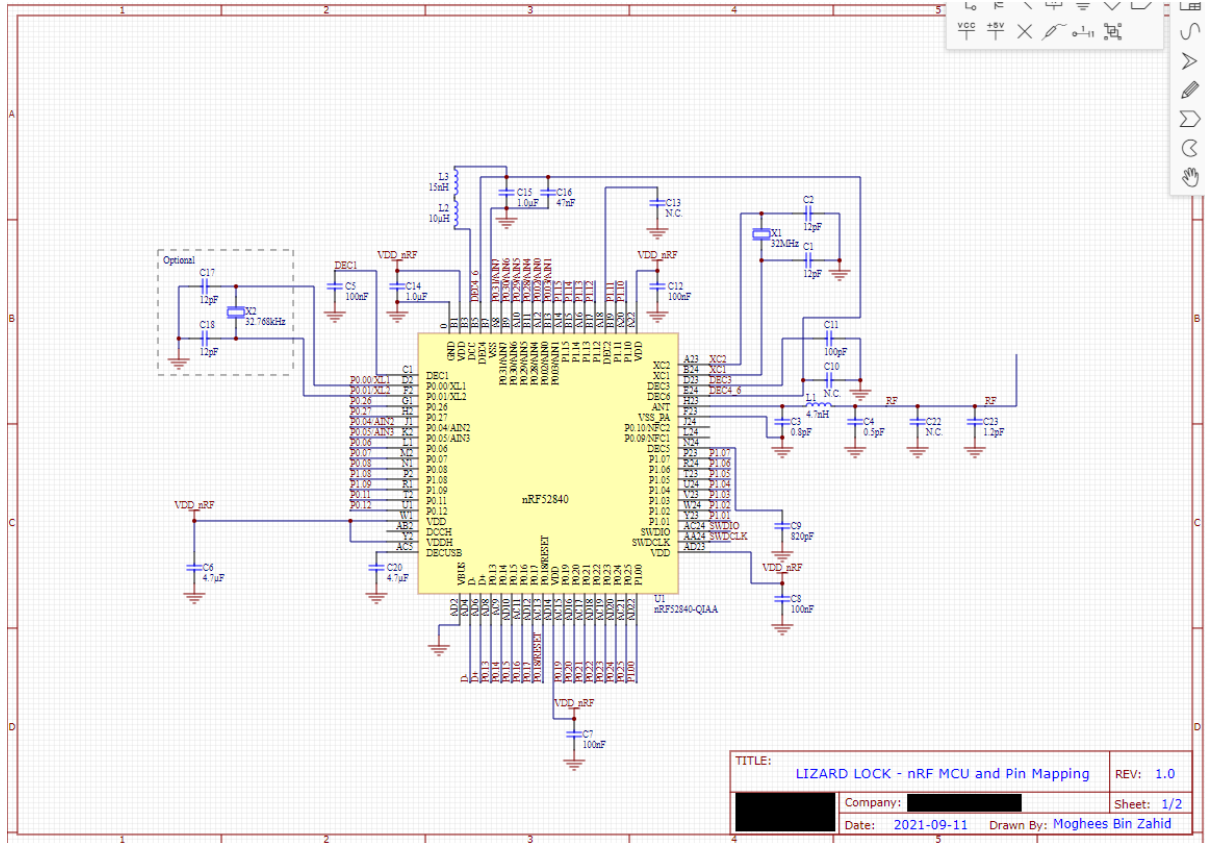
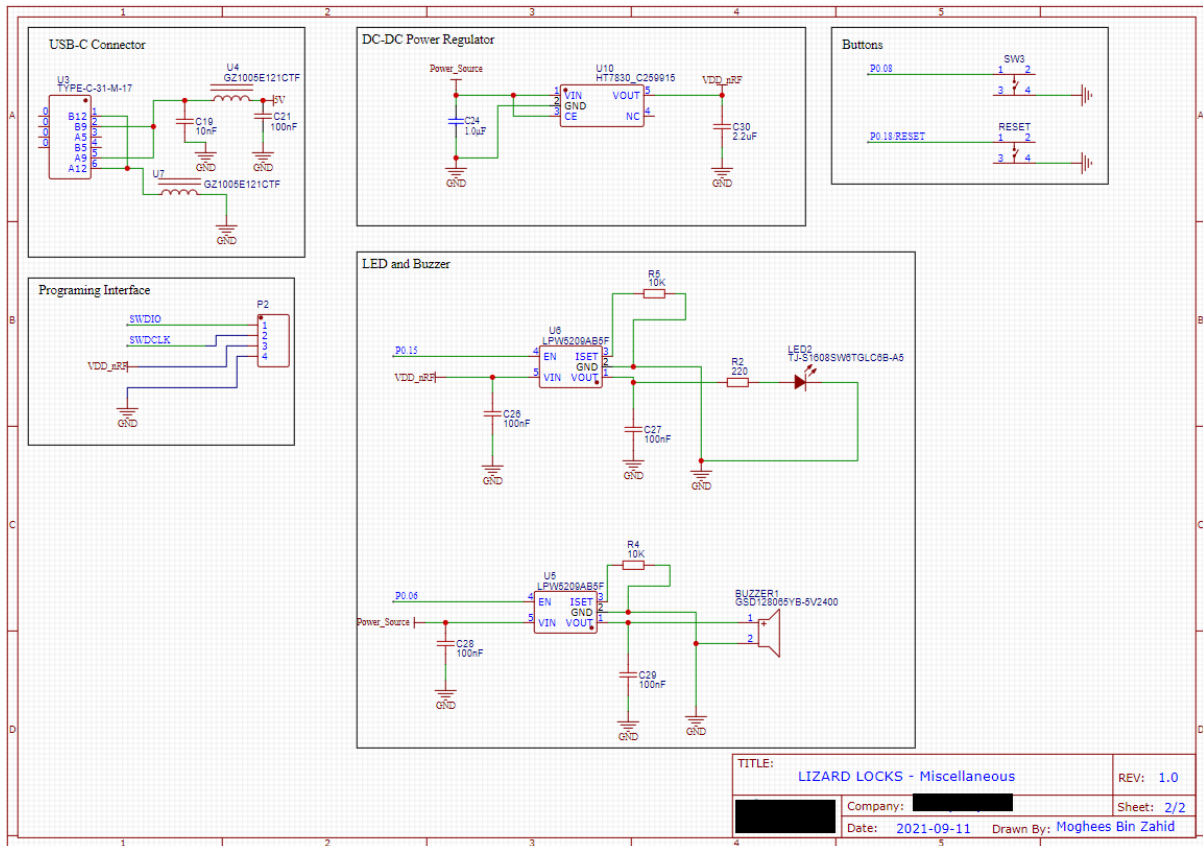


Sheet 1:



TITLE: LIZARD LOCK - nRF MCU and Pin Mapping		REV: 1.0
Company: [REDACTED]		Sheet: 1/2
Date: 2021-09-11	Drawn By: Moghees Bin Zahid	

Sheet 2:



Sheet 3:

