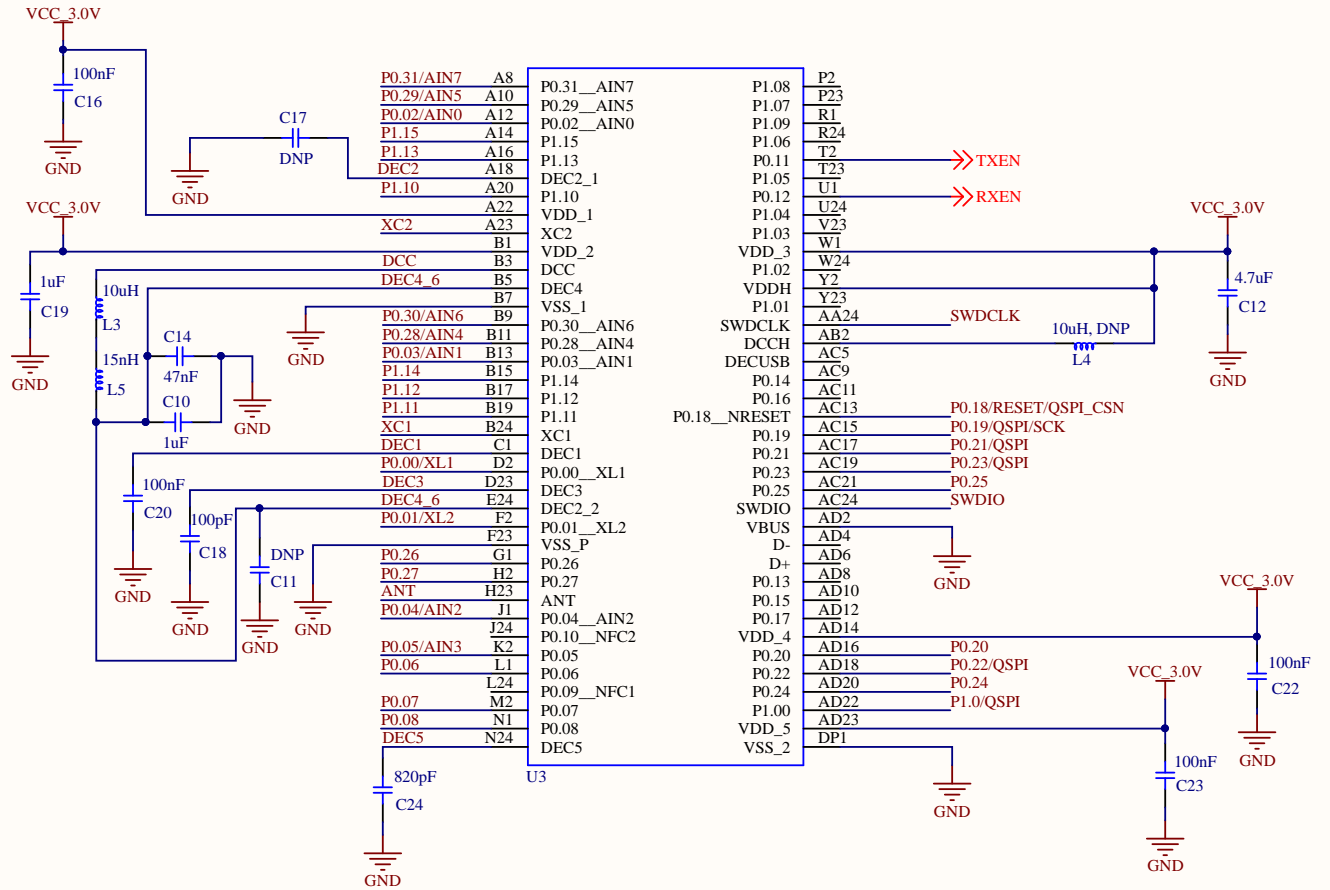
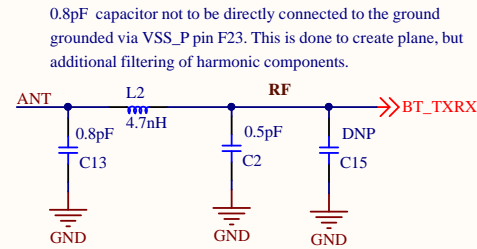
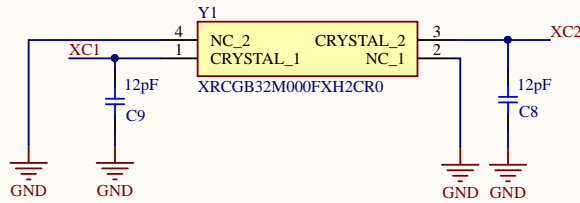


CONNECTION FOR MODULE PIN OUT

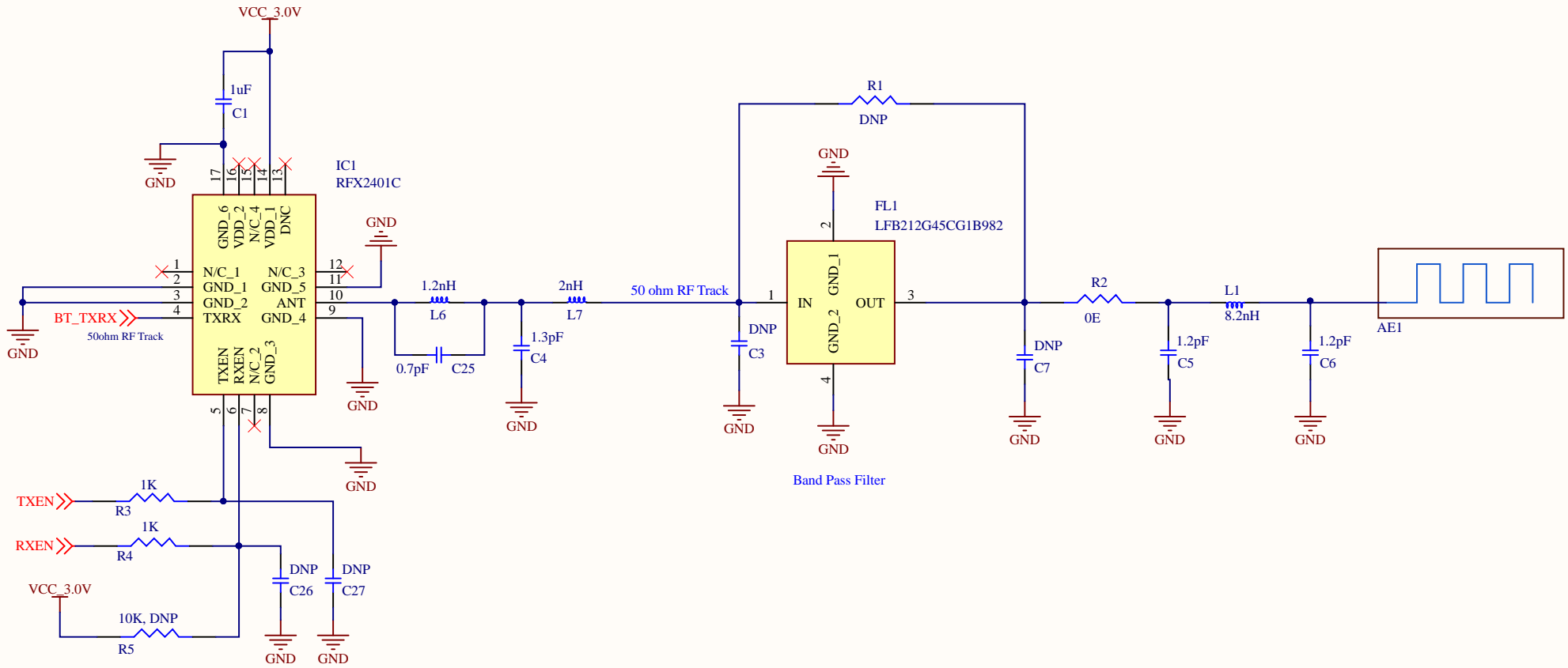
Module PIN Description  
U2

1	P1.10
2	P1.11
3	P1.12
4	P1.13
5	P1.14
6	P1.15
7	P0.03/AIN1
8	P0.02/AIN0
9	P0.28/AIN4
10	P0.29/AIN5
11	P0.30/AIN6
12	P0.31/AIN7
13	P0.00/XL1
14	P0.01/XL2
15	P0.26
16	P0.27
17	P0.04/AIN2
18	P0.05/AIN3
19	P0.06
20	P0.07
21	P0.08
22	
23	
24	
25	
26	P0.18/RESET/QSPI_CSN
27	P0.19/QSPI/SCK
28	P0.20
29	P0.21/QSPI
30	P0.22/QSPI
31	P0.23/QSPI
32	P0.24
33	P0.25
34	P1.0/QSPI
35	SWDIO
36	SWDCLK



0.8pF capacitor not to be directly connected to the ground grounded via VSS\_P pin F23. This is done to create plane, but additional filtering of harmonic components.

# nRF52840\_RF



ilumi Solutions Inc.  
1800 Preston Park Blvd #220  
Plano, Texas 75093



Title nRF52840 MODULE WITH PCB ANTENNA

Size Document Number  
Custom Sch\_nRF52840 Module\_V1.0

Rev  
1.0

Date: 12-06-2021

Sheet 2 of 2