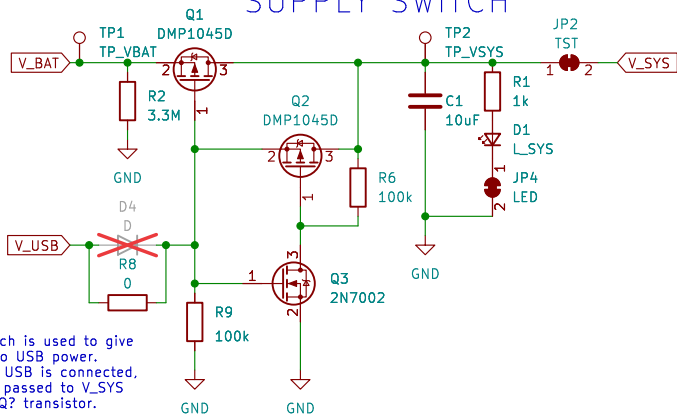


SUPPLY SWITCH

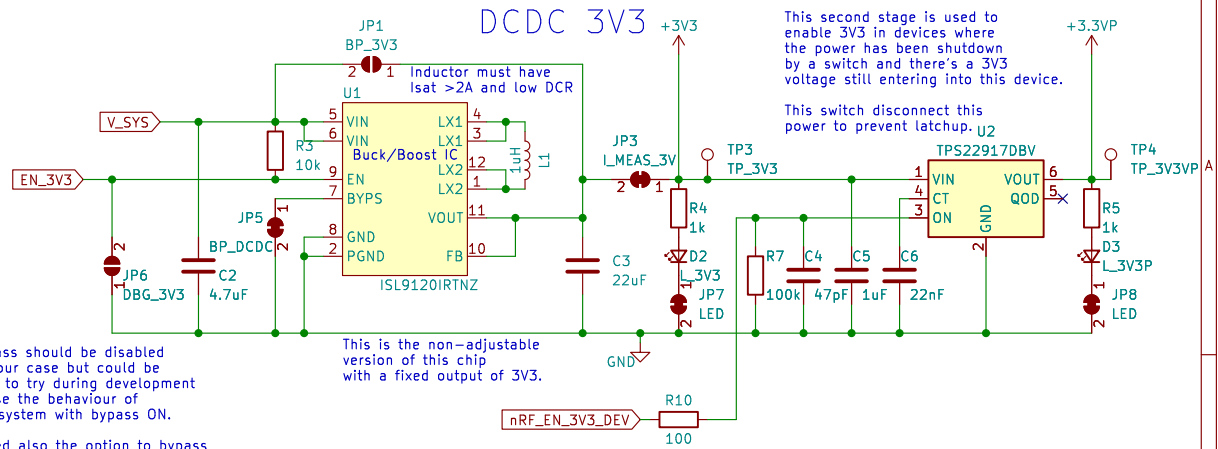


This switch is used to give priority to USB power. When no USB is connected, V_BAT is passed to V_SYS through Q3 transistor.

When USB is present, disables Q2 and enable Q3 to pass voltage to V_SYS.

Diode is not really needed, only in case we want to add another input source in there, added for compatibility.

DCDC 3V3



This second stage is used to enable 3V3 in devices where the power has been shutdown by a switch and there's a 3V3 voltage still entering into this device.

This switch disconnect this power to prevent latchup. U2

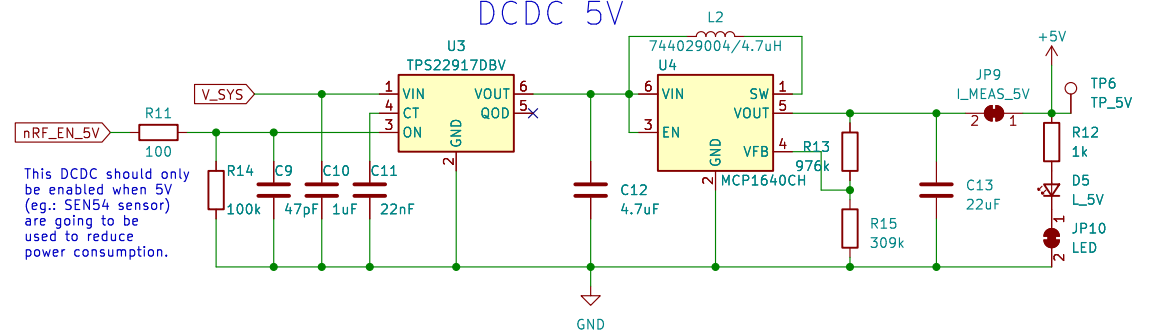
Bypass should be disabled for our case but could be nice to try during development phase the behaviour of the system with bypass ON.

This is the non-adjustable version of this chip with a fixed output of 3V3.

Added also the option to bypass the system by jumper, so no need to populate this part for testing.

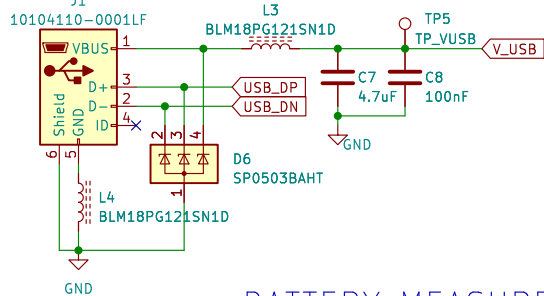
By default, this DCDC is always enabled.

DCDC 5V

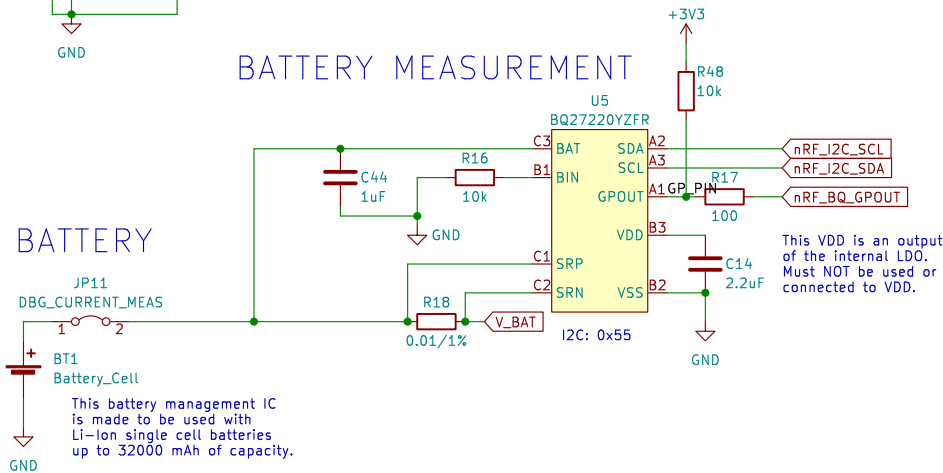


This DCDC should only be enabled when 5V (eg.: SEN54 sensor) are going to be used to reduce power consumption.

USB



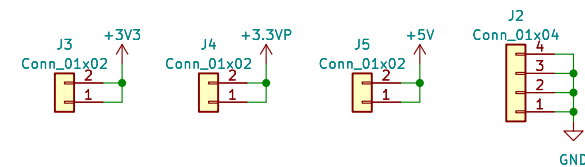
BATTERY MEASUREMENT



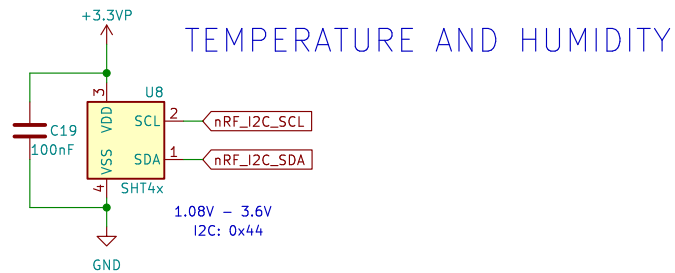
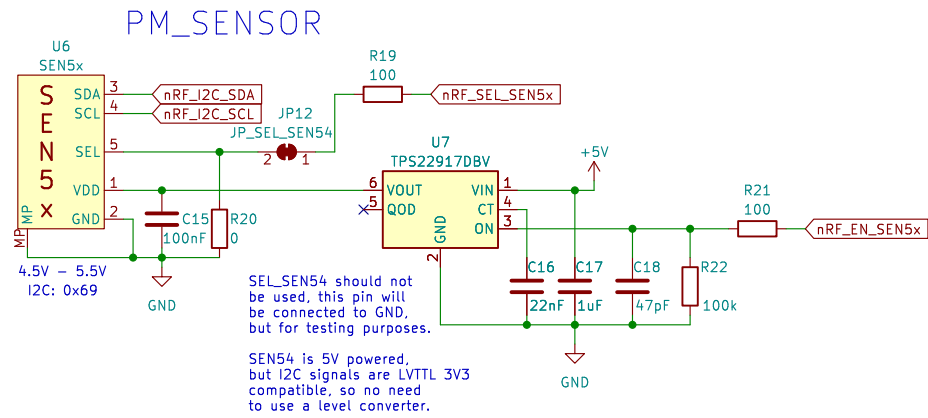
This VDD is an output of the internal LDO. Must NOT be used or connected to VDD.

BATTERY

This battery management IC is made to be used with Li-Ion single cell batteries up to 32000 mAh of capacity.



Sheet: /Power/	
File: Power.kicad_sch	
Title: SACAQM Master Node	
Size: A4	Date:
KiCad E.D.A. kicad 7.0.1-0	Rev: 2/6

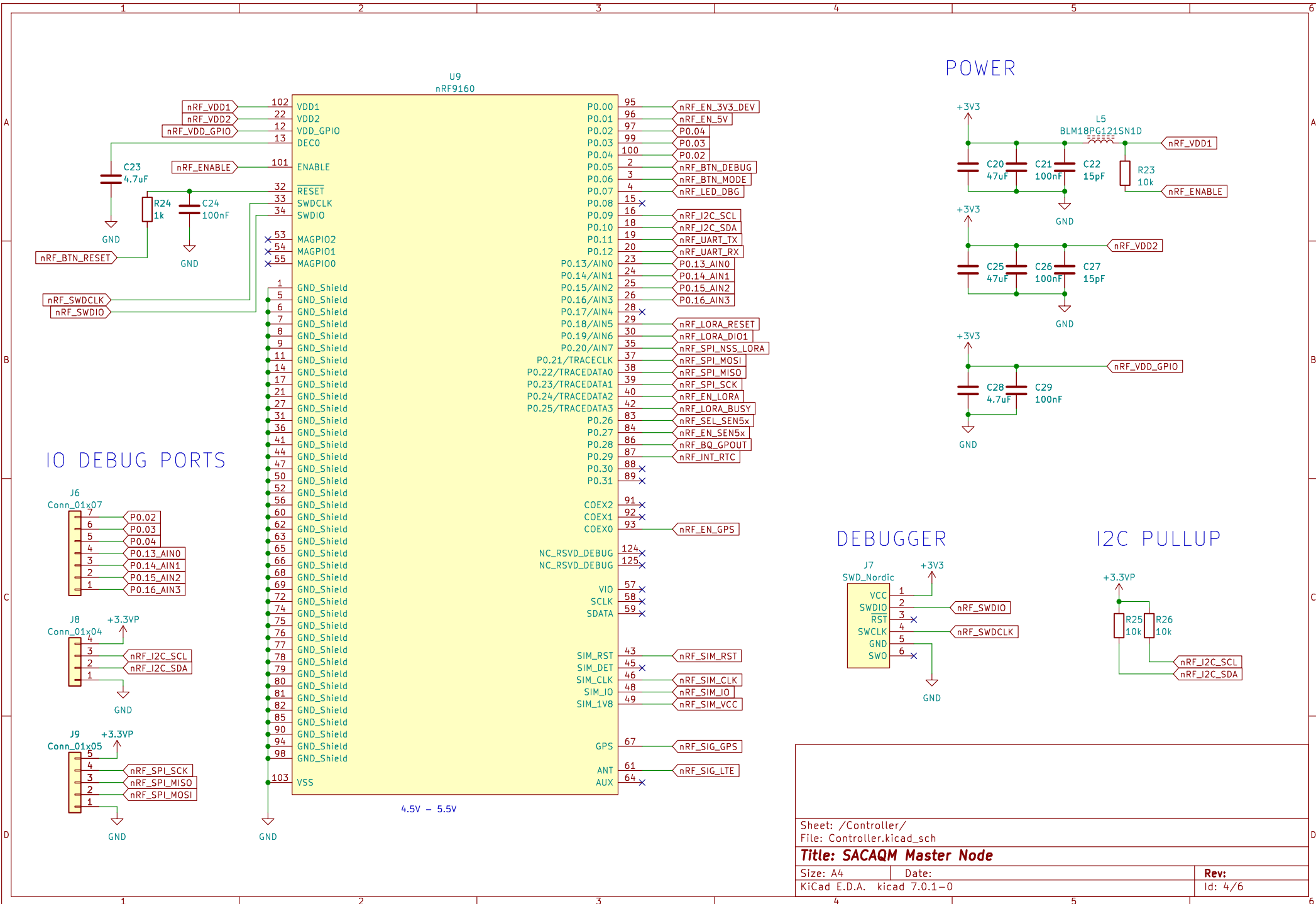


Sheet: /Sensors/
File: Sensors.kicad_sch

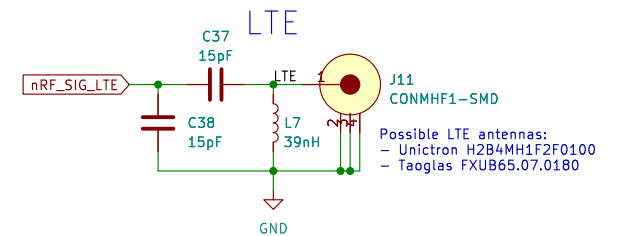
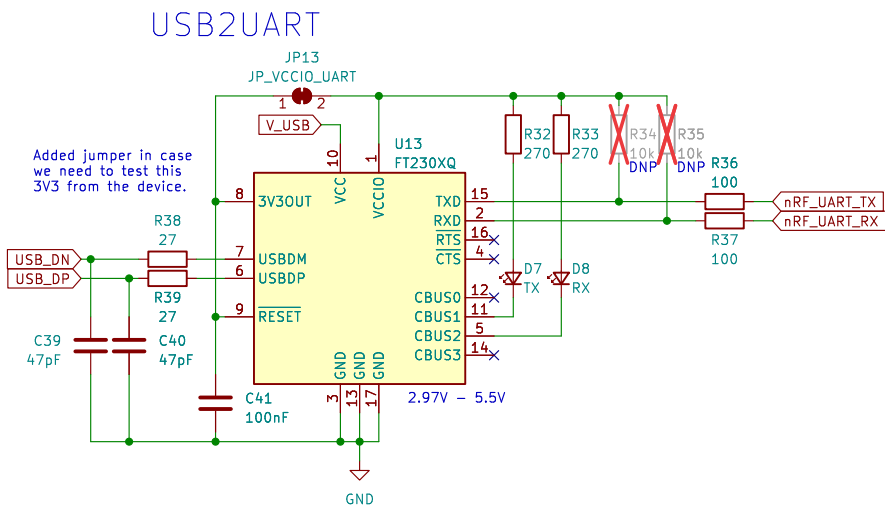
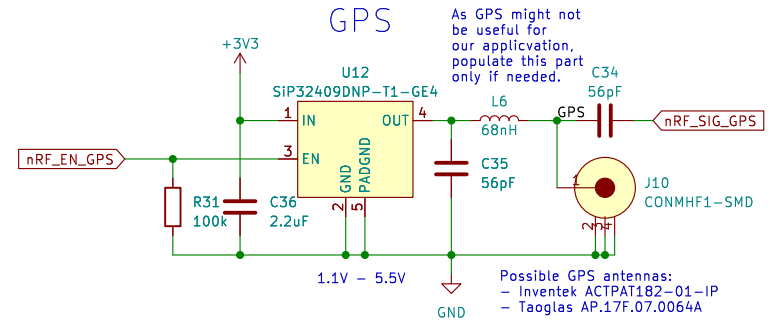
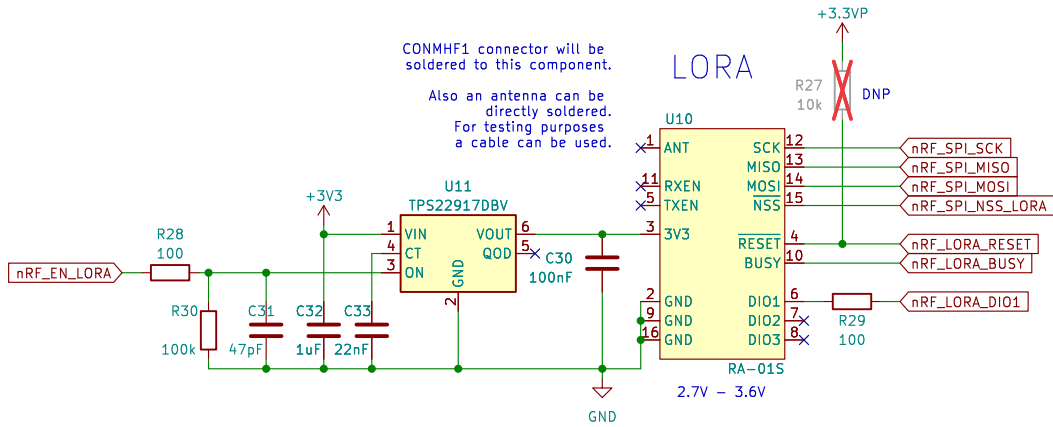
Title: SACAQM Master Node

Size: A4
KiCad E.D.A. kicad 7.0.1-0

Date:
Rev:
Id: 3/6



Sheet: /Controller/	
File: Controller.kicad_sch	
Title: SACAQM Master Node	
Size: A4	Date:
KiCad E.D.A. kicad 7.0.1-0	Rev: 4/6



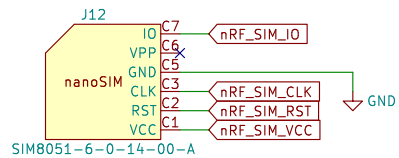
Sheet: /Comms/
File: comms.kicad_sch

Title: SACAQM Master Node

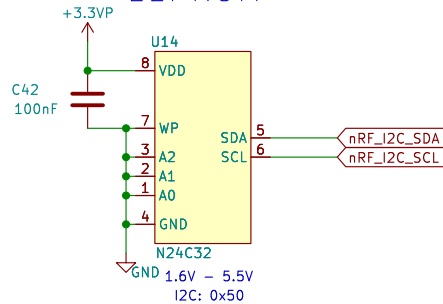
Size: A4 Date:
KiCad E.D.A. kicad 7.0.1-0

Rev:
Id: 5/6

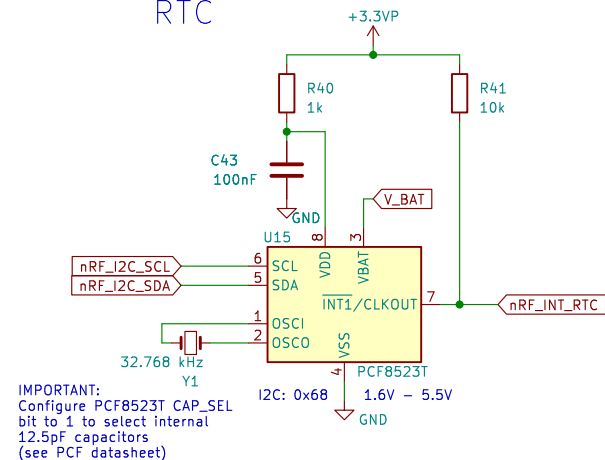
nanoSIM



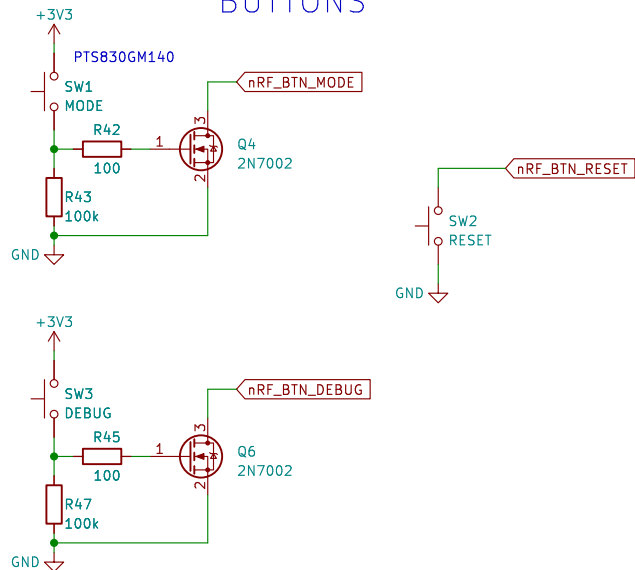
EEPROM



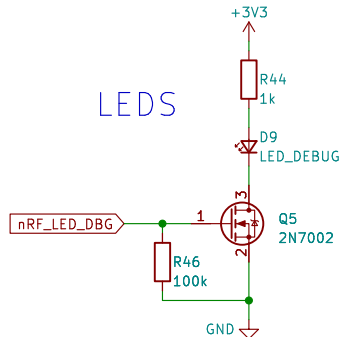
RTC



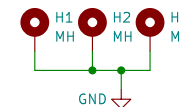
BUTTONS



LEDS



MOUNTING HOLES



Sheet: /Misc/	
File: misc.kicad_sch	
Title: SACAQM Master Node	
Size: A4	Date:
KiCad E.D.A. kicad 7.0.1-0	Rev: 6/6