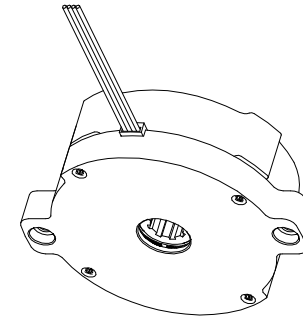
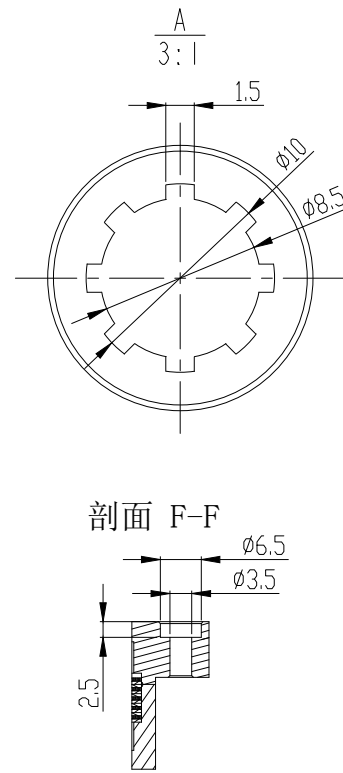
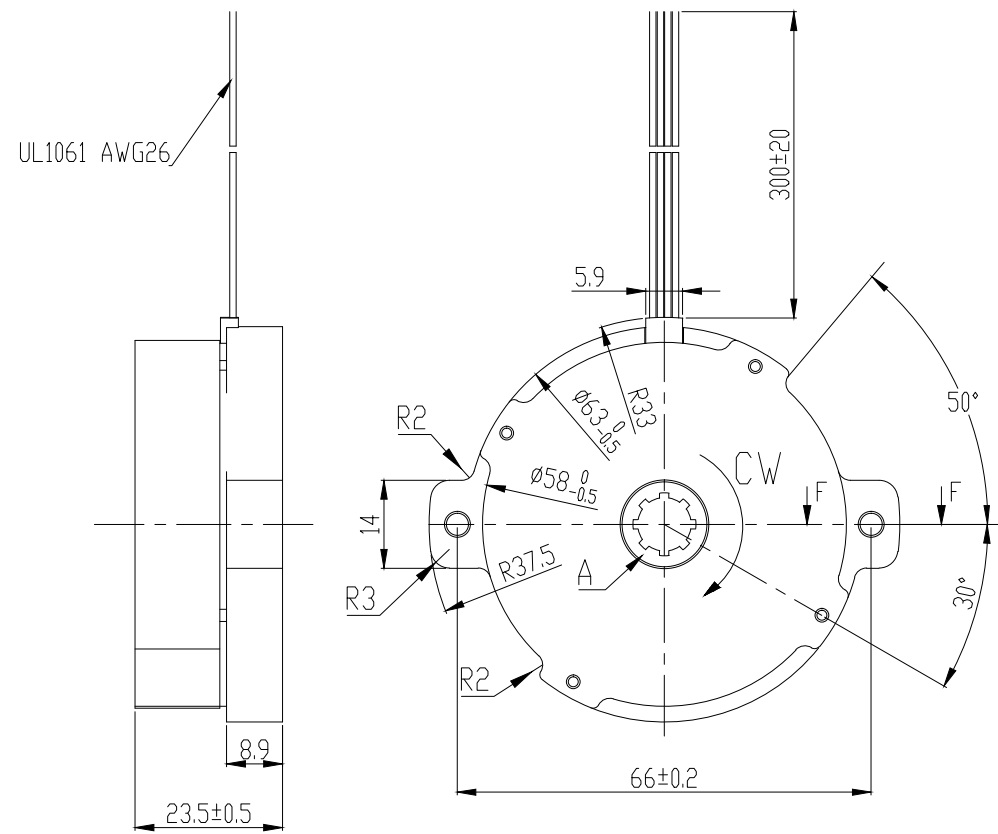
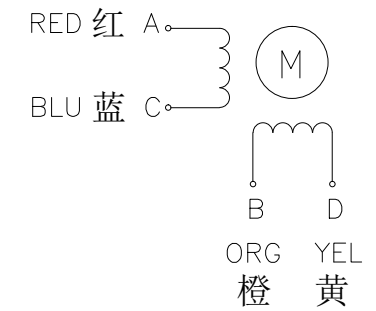


| REV | ECN NO. | DESCRIPTION | DRN | APP'D | DATE |
|-----|---------|-------------|-----|-------|------|
| | | | | | |
| | | | | | |
| | | | | | |
| | | | | | |



Wiring Diagram

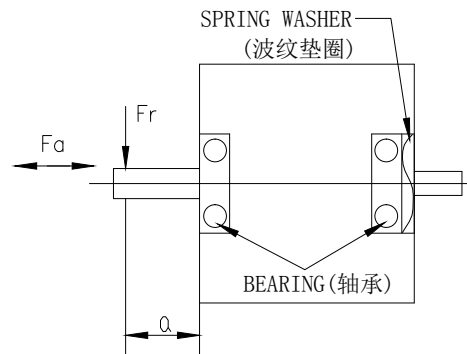


| CW DIRECTION | STEP | A | C | B | D |
|--------------|------|---|---|---|---|
| ↓ | 1 | + | | + | |
| | 2 | | + | + | |
| | 3 | | + | | + |
| | 4 | + | | | + |
| | 1 | + | | + | |

SPECIFICATION

| | | |
|-----------------------|--------|---|
| STEP ANGLE | 步距角 | 1.8°/full step (整步) |
| STEP ANGLE ACCURACY | 步距角精度 | ±5% |
| NUMBER OF PHASE | 绕组相数 | 2 |
| RATED VOLTAGE | 额定电压 | 10 VDC |
| RATED CURRENT | 额定电流 | 0.5 A |
| RESISTANCE/PHASE | 每相电阻 | 20±10% ohms@20°C |
| INDUCTANCE/PHASE | 每相电感 | TBD±20% mH@1kHz |
| HOLDING TORQUE | 保持转矩 | 600 g.cm |
| PULL OUT TORQUE | 运行转矩 | |
| BACK EMF | 反电动势 | |
| DETENT TORQUE | 定位转矩 | |
| ROTOR INERTIA | 转子转动惯量 | 25.0 g.cm ² |
| WEIGHT | 重量 | 160 g |
| TEMPERATURE RISE | 温升 | Less than 80K |
| SOURCE VOLTAGE | 驱动器电压 | 24 VDC |
| INSULATION CLASS | 绝缘等级 | B 130°C |
| DIELECTRIC STRENGTH | 介电强度 | 500VAC 1MIN |
| INSULATION RESISTANCE | 绝缘电阻 | 100MΩ @500VDC |
| IP CODE | 防护等级 | IP30 |
| OPERATION AMBIENT | 使用环境 | Ambient temperature:-20...+50°C, humidity Max. 85%(No condensation) |
| STORAGE AMBIENT | 存储环境 | Ambient temperature:-10...+35°C, humidity Max. 85%(No condensation) |

PERMISSIBLE RADIAL+AXIAL FORCE
(允许的轴向和径向力)



| | | |
|-------------------|------|-----------------|
| AXIAL-FORCE | 轴向压力 | Fa=15N Max. |
| DISTANCE | 距离 | a=10 mm |
| RADIAL-FORCE | 径向压力 | Fr=75N Max. |
| SHAFT RADIAL PLAY | 径向间隙 | 0.02mm Max. @4N |
| SHAFT AXIAL PLAY | 轴向间隙 | 0.08mm Max. @4N |

PRELIMINARY

| | | | |
|------------------------|-----------|------------------|------------------|
| DESIGN | DATE | P/N. | |
| CHECK | | TITLE | Specifications |
| APPD | | USED ON | FL63ST24-0504A-J |
| FIRST ANGLE PROJECTION | SCALE NTS | DWG NO. | REV |
| DO NOT SCALE DRAWING | SHEET OF | GREEN MOTOR TECH | |

UNLESS OTHERWISE SPECIFIED TOLERANCES:
 DECIMALS: .x ±0.5 .xx ±0.25 .xxx ±0.1
 ANGULAR: ±0°30'
 UNIT: mm