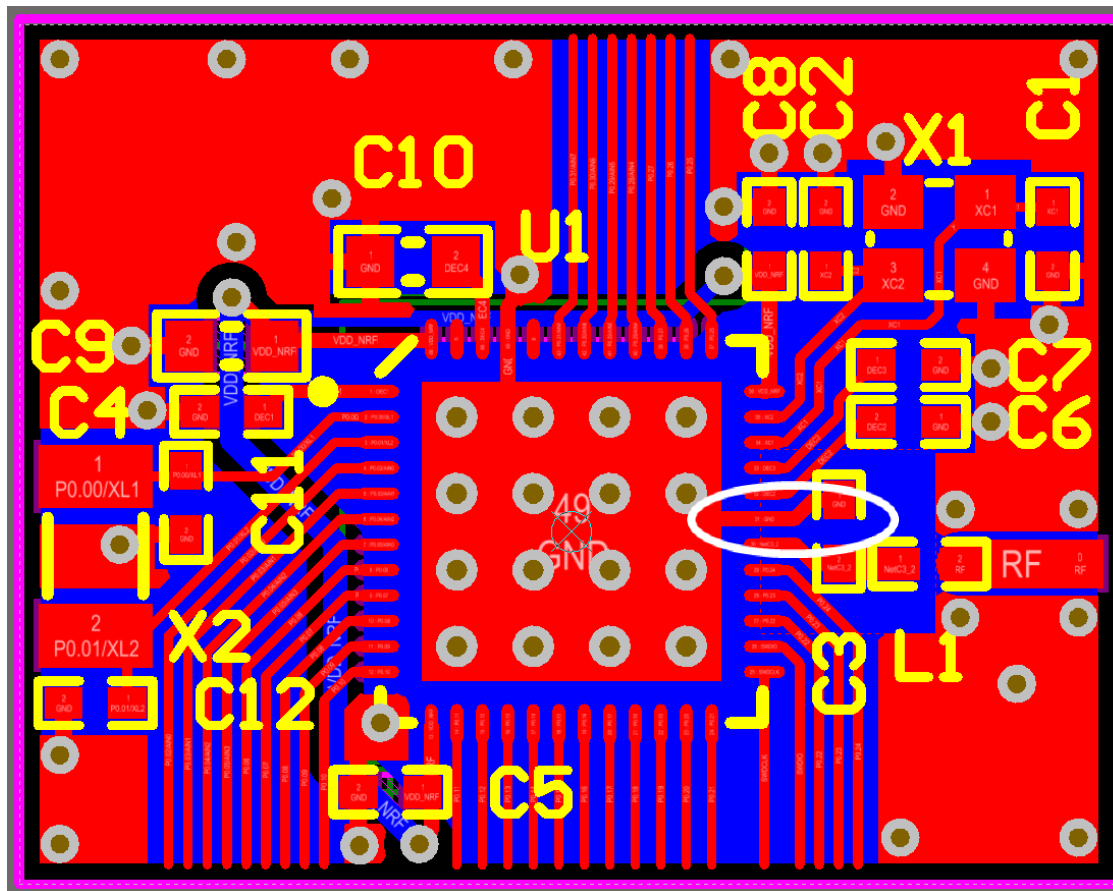


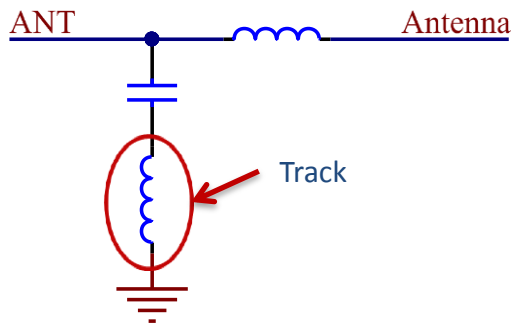
Layout



- Pay attention to how C3 is grounded with a track to ground.
- This track can also be placed between C3 and L1 with C3 connected directly to the ground plane.

Matching network

Equivalent circuit



- Resonant frequency between 2nd and 3rd harmonic

$$f = \frac{1}{2\pi\sqrt{LC}} \approx 6 \text{ GHz}$$

$$C = 0.8 \text{ pF}$$

$$L = 0.9 \text{ nH} \approx 0.9 \text{ mm length}$$

