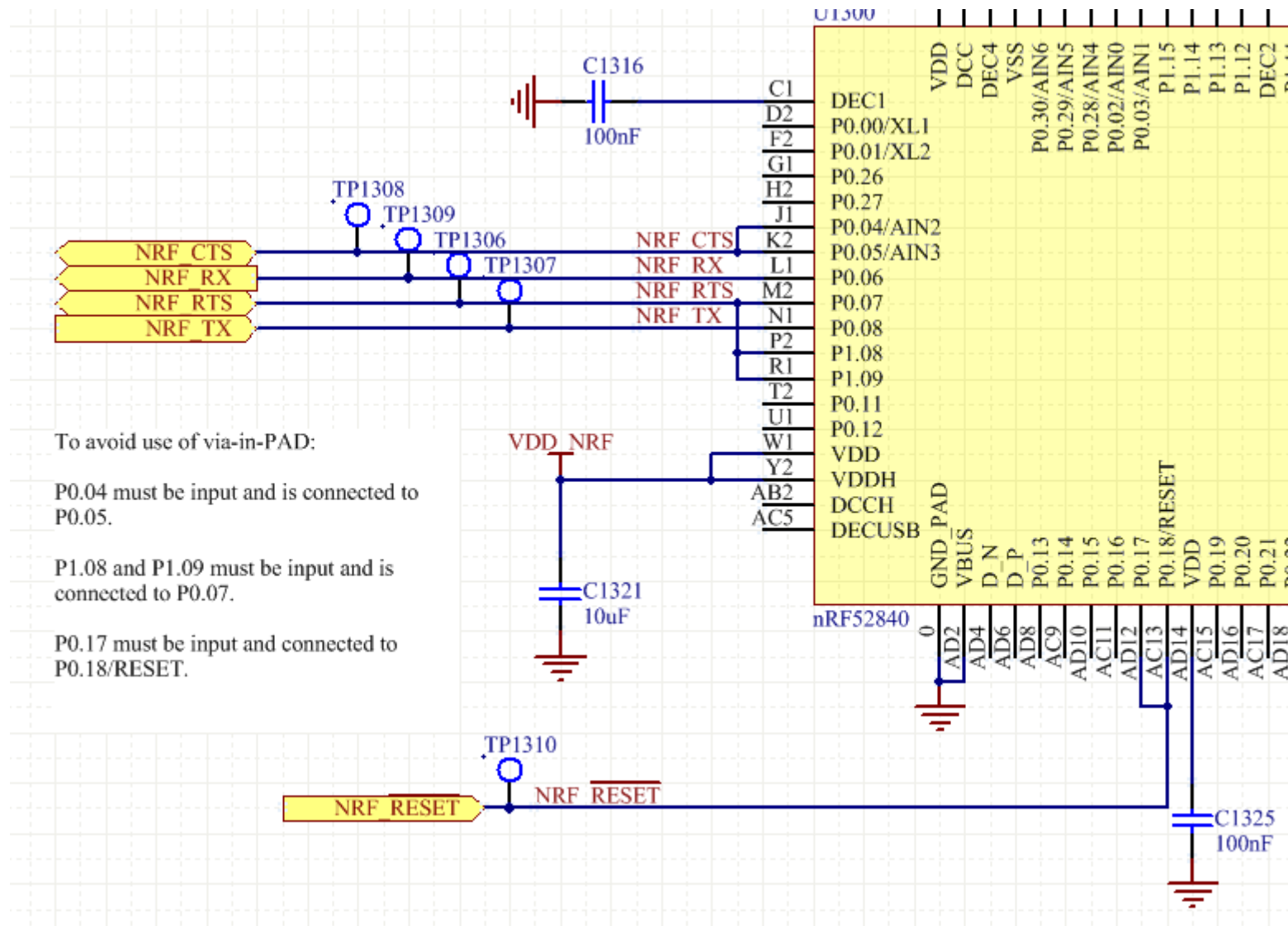
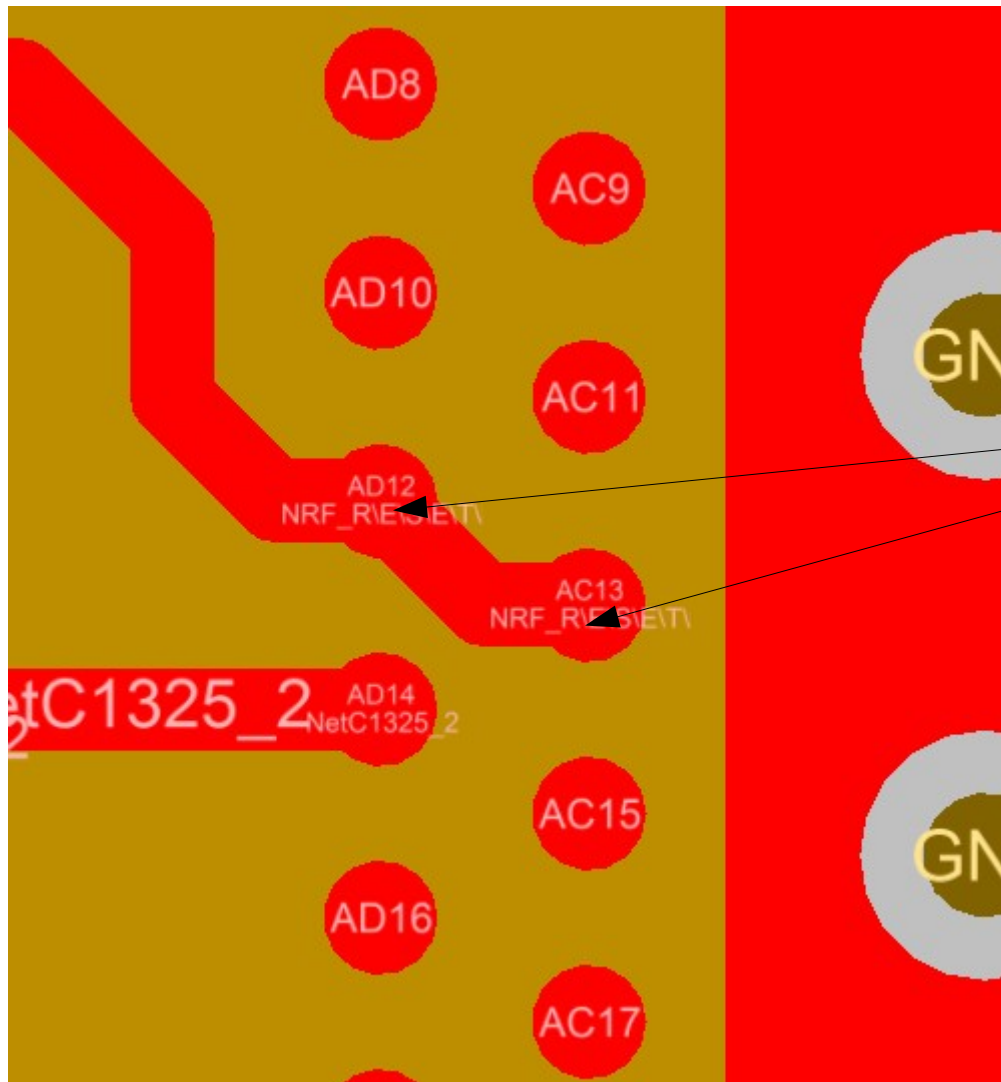


Connect pins together to avoid via-in-PAD?



Connect pins together to avoid via-in-PAD?



Is it okay to route pin:s together? Will it be possible to program the nRF52840 in this way?