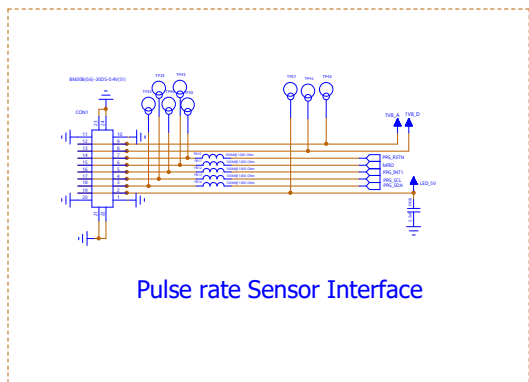
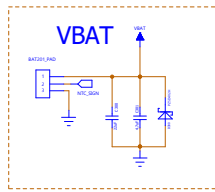
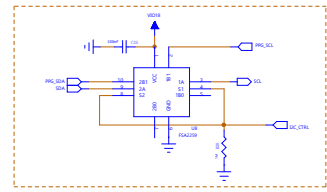
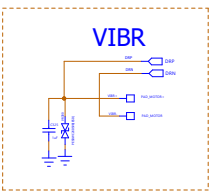
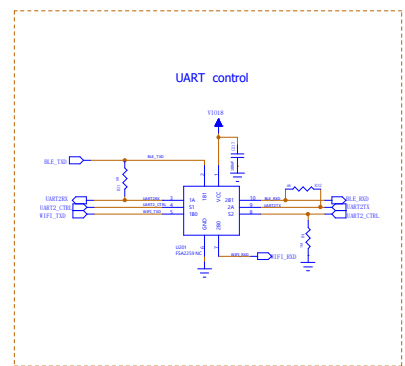
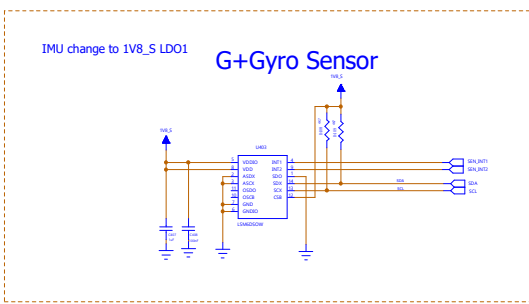
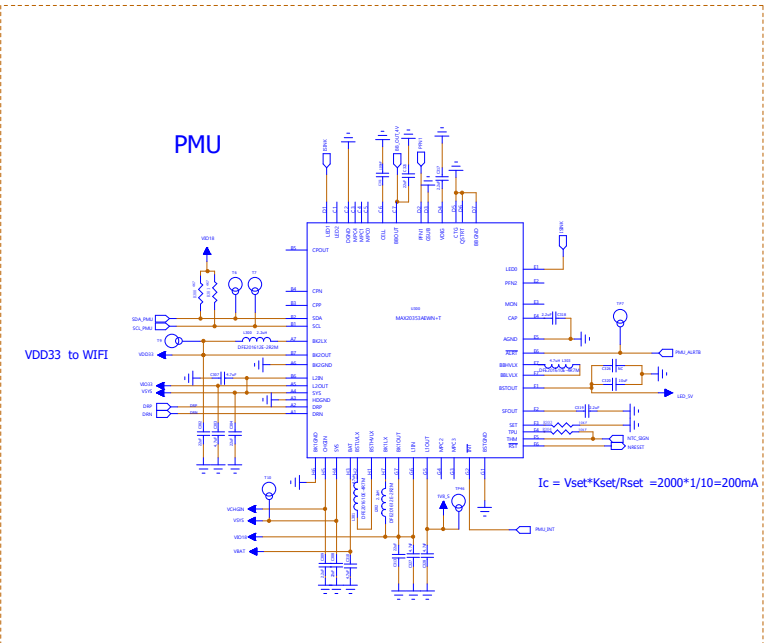
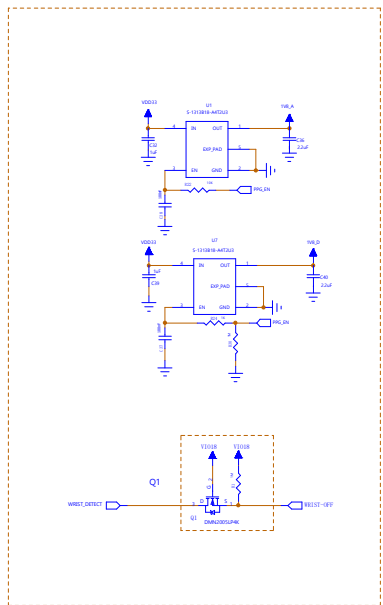
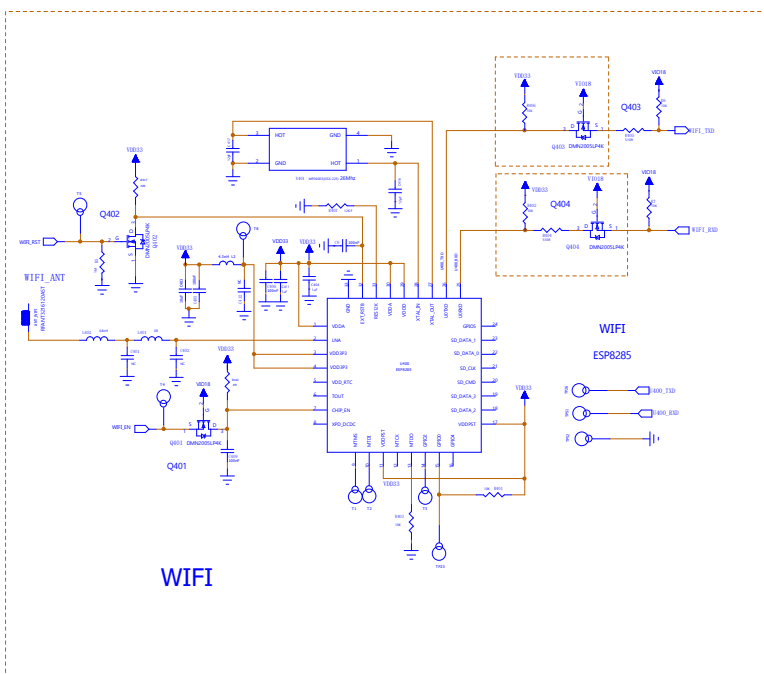
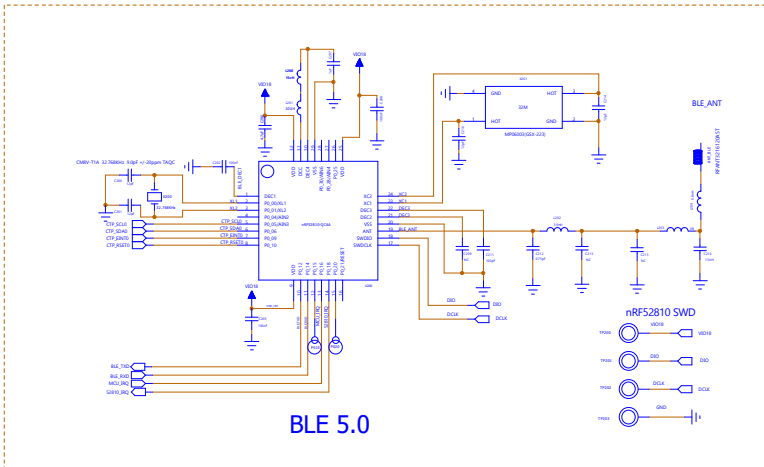


REV	REV BY	APPROVED	DATE
REV2.0			2022.09.30
REV3.0			2022.10.20



REV	REV BY	DATE	DATE	DATE	DATE	DATE	DATE
REV1.0	Kevin	2022.10.21					
REV2.0	Kevin	2022.10.21					

August International Ltd

E2_MB_V3

Page: 2 of 2