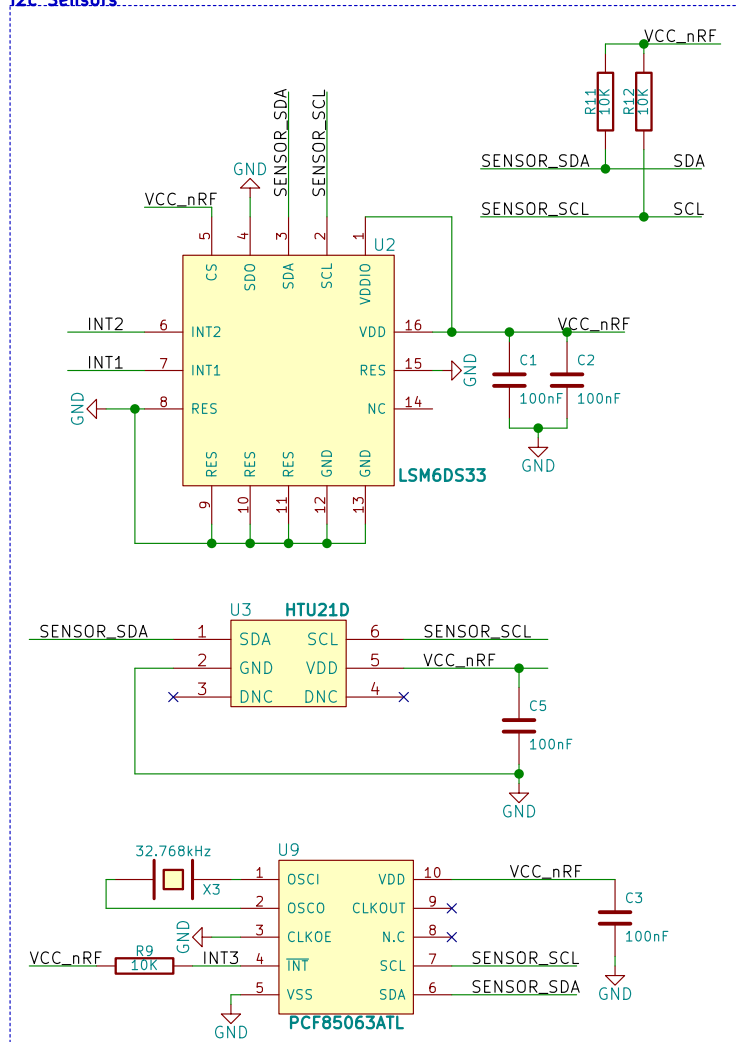
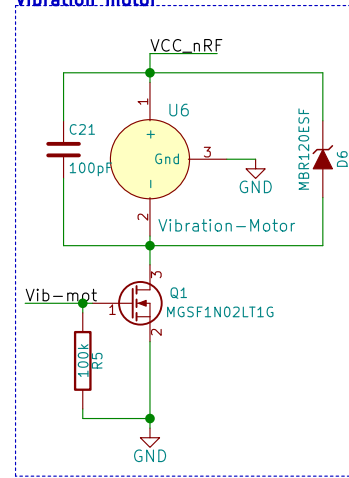


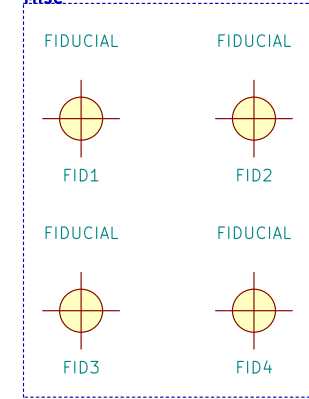
I2c. Sensors



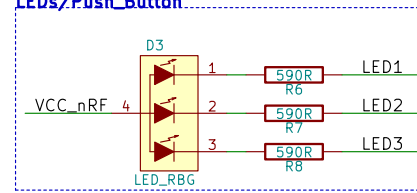
Vibration motor



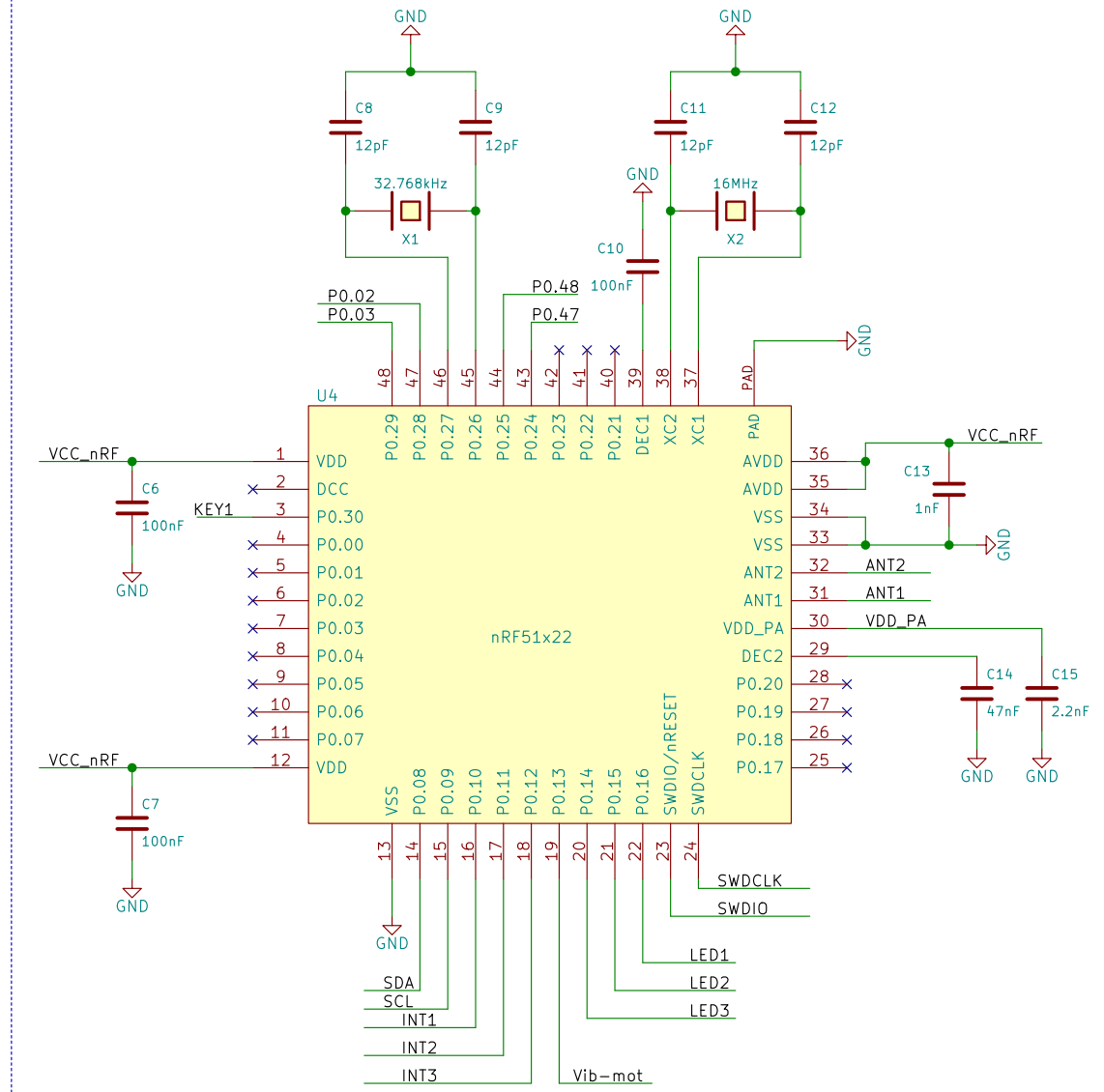
Misc



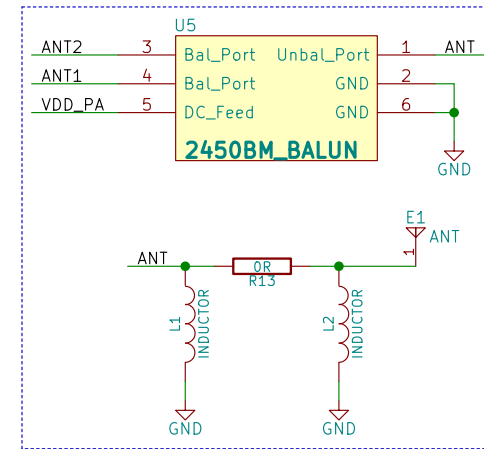
LEDs/Push_Button



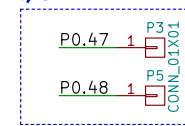
Nrf--BLE



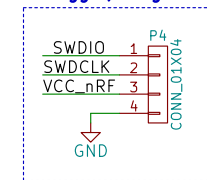
BALUN Filter + PI Network + Antenna



I/O

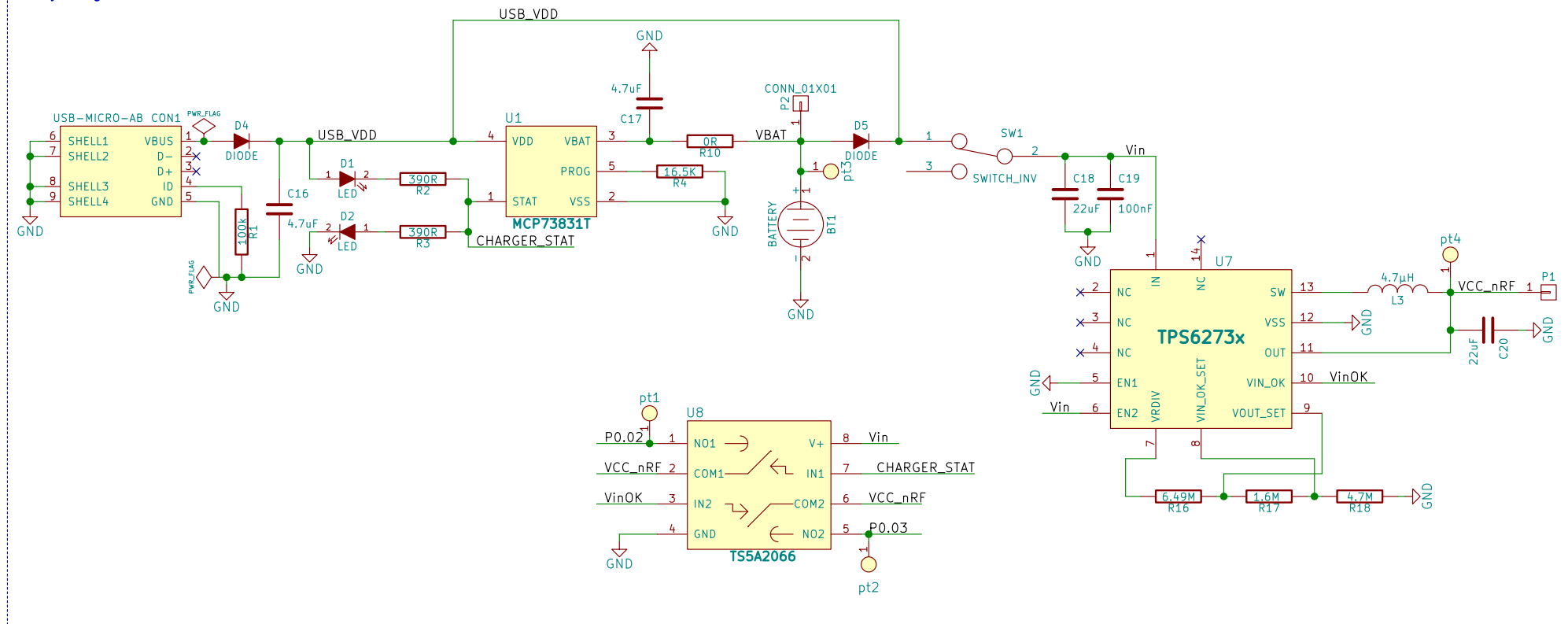


Debugger/Programmer



Sheet: /	
File: BlueTooth_SensorTag.sch	
Title: Battery Management	
Size: A4	Date: 2015-11-21
KiCad E.D.A. kicad 4.0.2-stable	Rev: 2
	Id: 1/1

Battery Management



Sheet: /
File: Bluetooth_SensorTag.sch

Title: Battery Management

Size: A4 Date: 2015-11-21

KiCad E.D.A. kicad 4.0.2-stable

Rev: 2

Id: 1/1