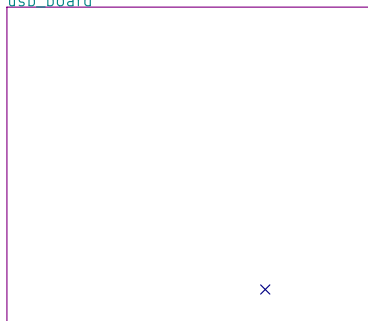


nrf52_board



nrf52_board.sch

usb_board



usb_board.sch

led_board



led_board.sch

program



program.sch

Sheet: /
File: nrf52.sch

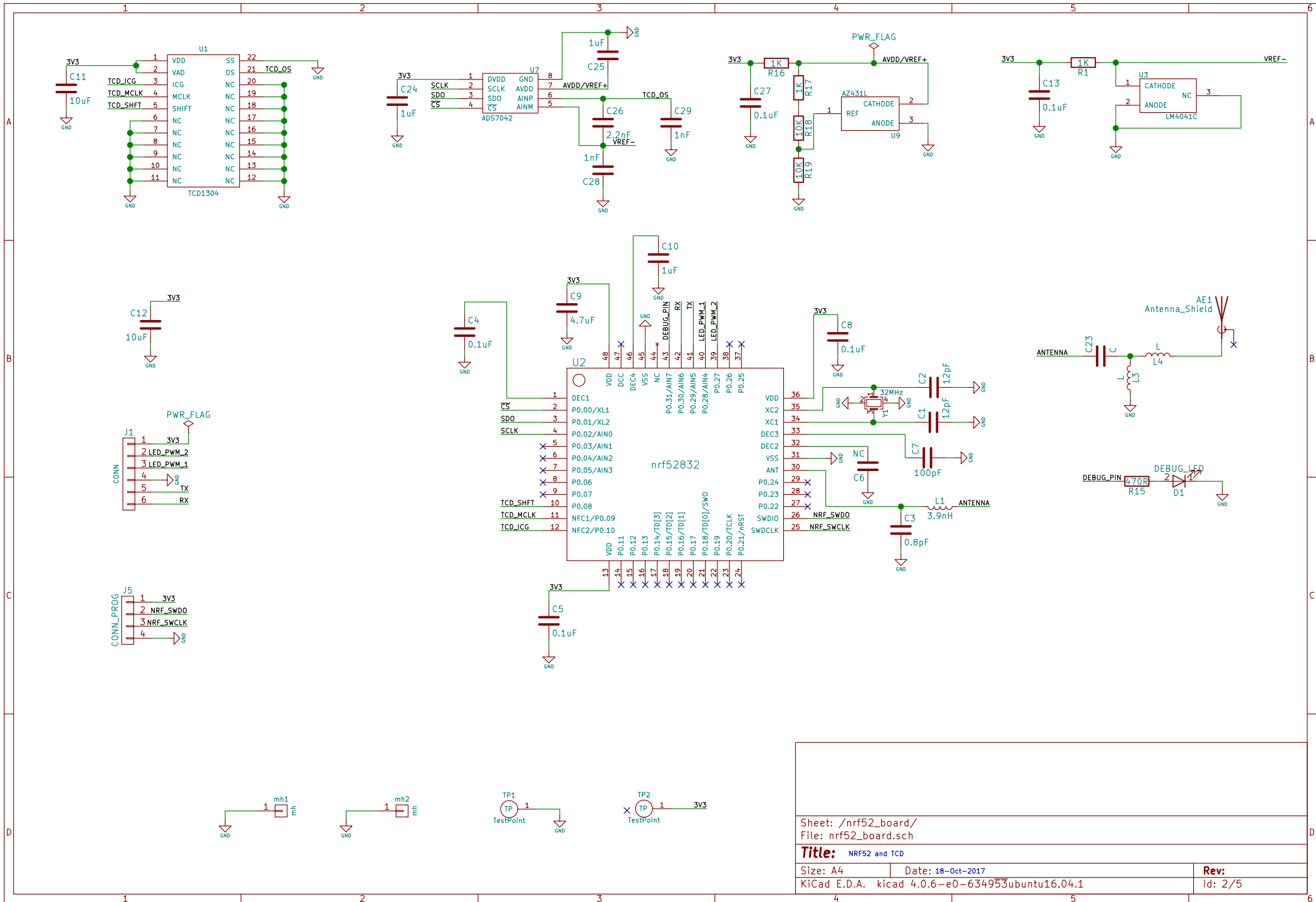
Title: nrf52_ble

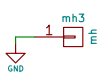
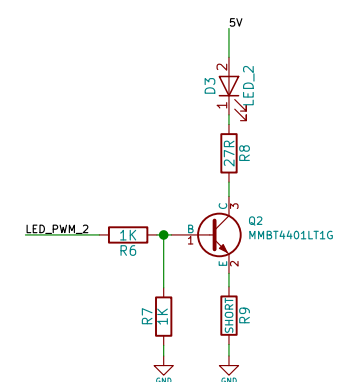
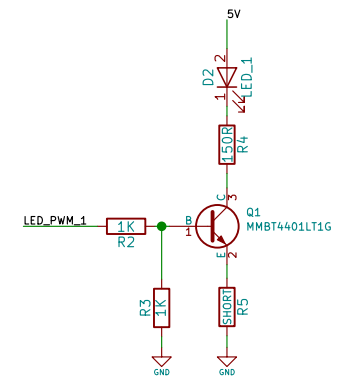
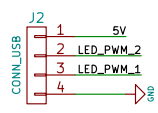
Size: A4 Date: 14/October/2017

KiCad E.D.A. kicad 4.0.6-e0-634953ubuntu16.04.1

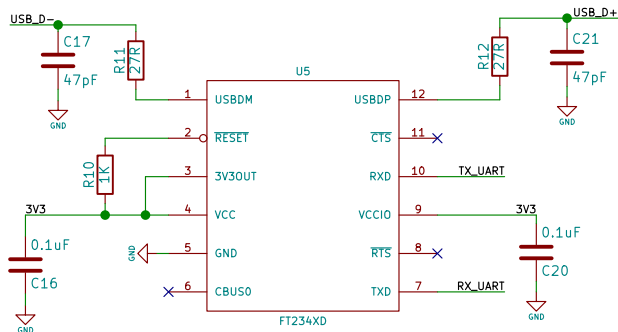
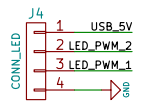
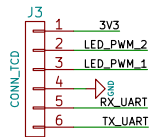
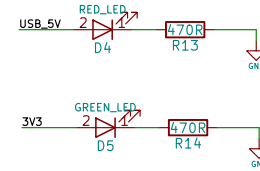
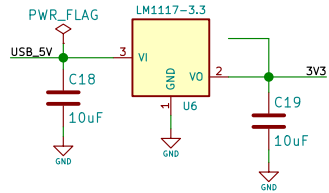
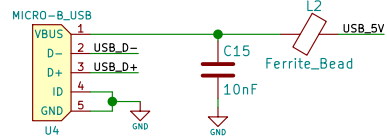
Rev:

Id: 1/5





Sheet: /led_board/ File: led_board.sch		
Title:		
Size: A4	Date:	Rev:
KiCad E.D.A. kicad 4.0.6-e0-634953ubuntu16.04.1		Id: 3/5

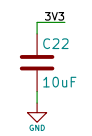
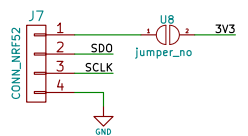
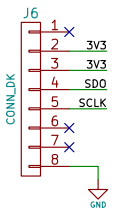


Sheet: /usb_board/
File: usb_board.sch

Title:

Size: A4 Date:
KiCad E.D.A. kicad 4.0.6-e0-634953ubuntu16.04.1

Rev:
Id: 4/5



Sheet: /program/ File: program.sch		
Title:		
Size: A4	Date:	Rev:
KiCad E.D.A. kicad 4.0.6-e0-634953ubuntu16.04.1		Id: 5/5