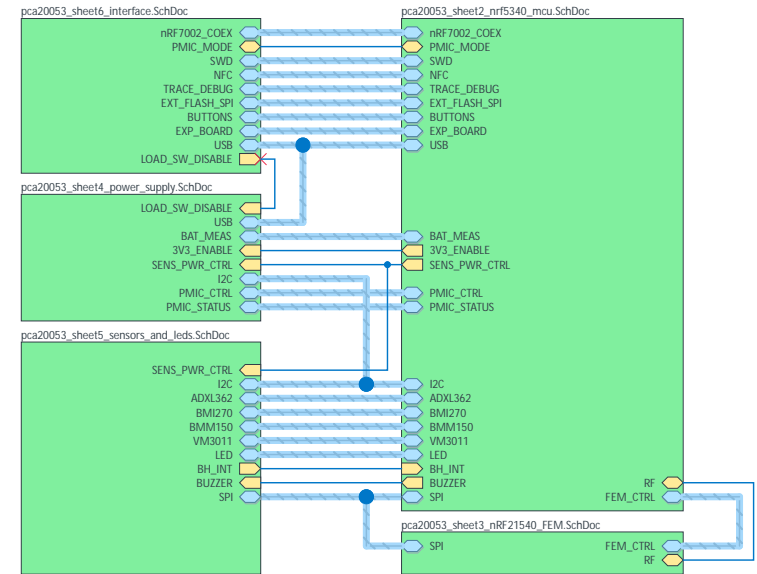


Nordic Semiconductor ASA

Thingy:53 Board

Sheet 1:	Connections
Sheet 2:	nRF5340 MCU
Sheet 3:	nRF21540 FEM
Sheet 4:	Power Supply
Sheet 5:	Sensors and LEDs
Sheet 6:	Interface



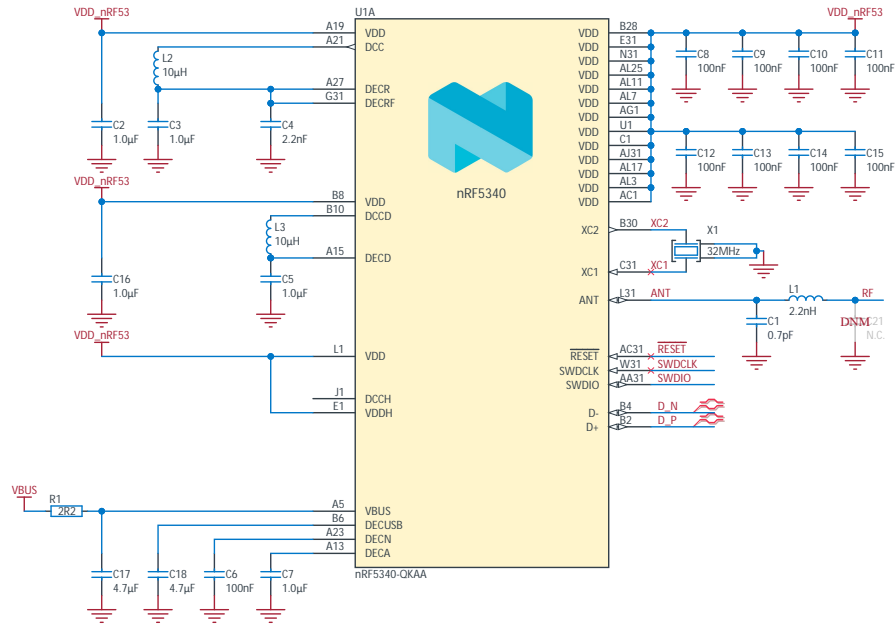
✗ The No ERC object is a design directive.
This directive is placed on a node in the circuit to suppress harmless warnings and/or error violation conditions that are detected when the schematic project is compiled.

Label:
PCA20053
Rev. 1.1.0
#year.week
#serial number

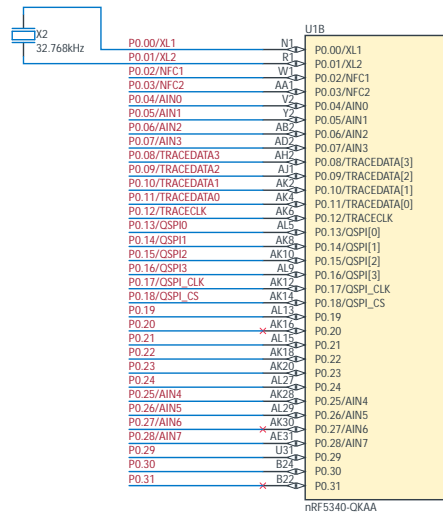
Title Thingy:53 Connections		Revision 1.1.0	
Size A3	PCB Assembly Number PCA20053	Sheet 1 of 6	
Date: 28-Jun-23	File: pca20053_sheet1_connections.SchDoc	Drawn By: MASI	
Classification: Public			



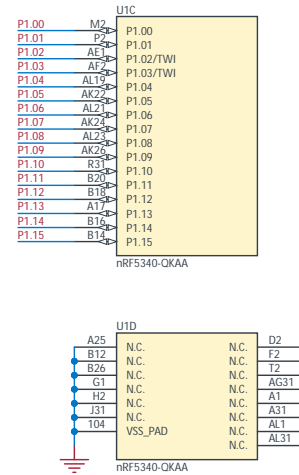
nRF5340 MCU



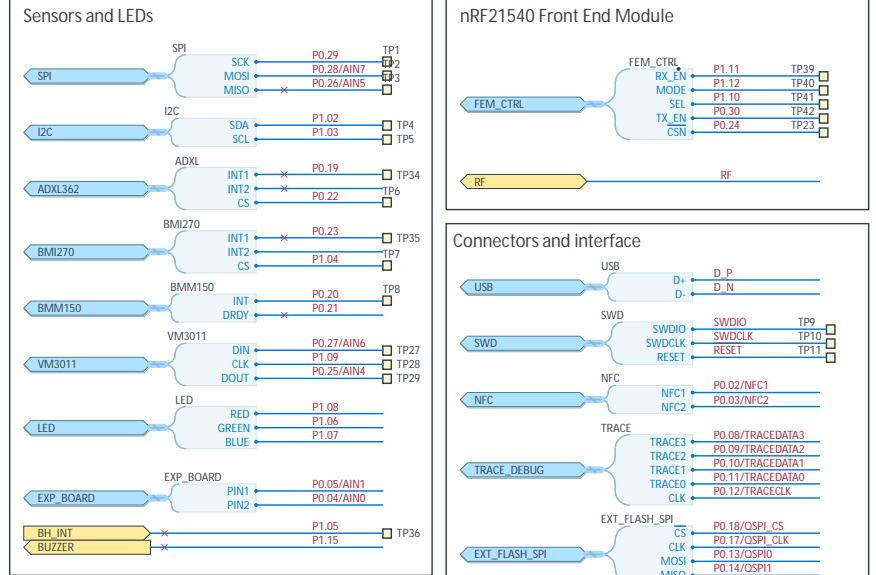
Port 0 GPIO's



Port 1 GPIO's



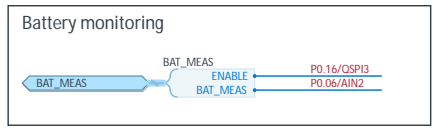
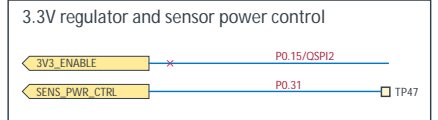
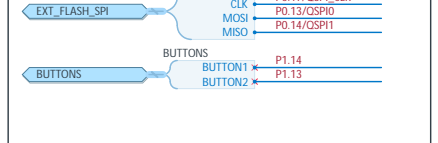
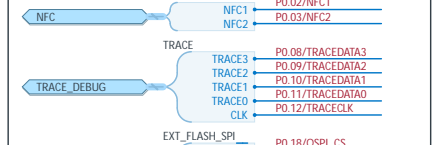
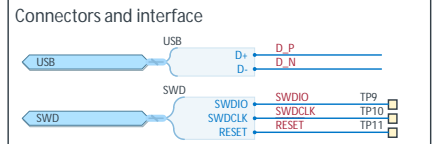
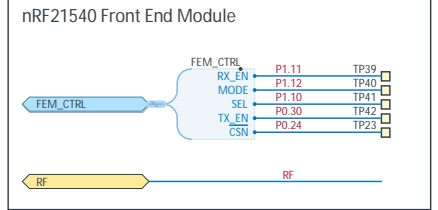
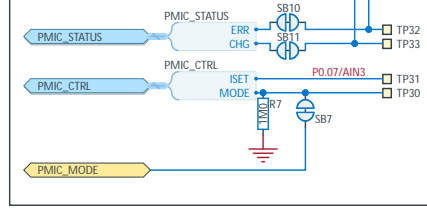
nRF5340 GPIO pin mapping

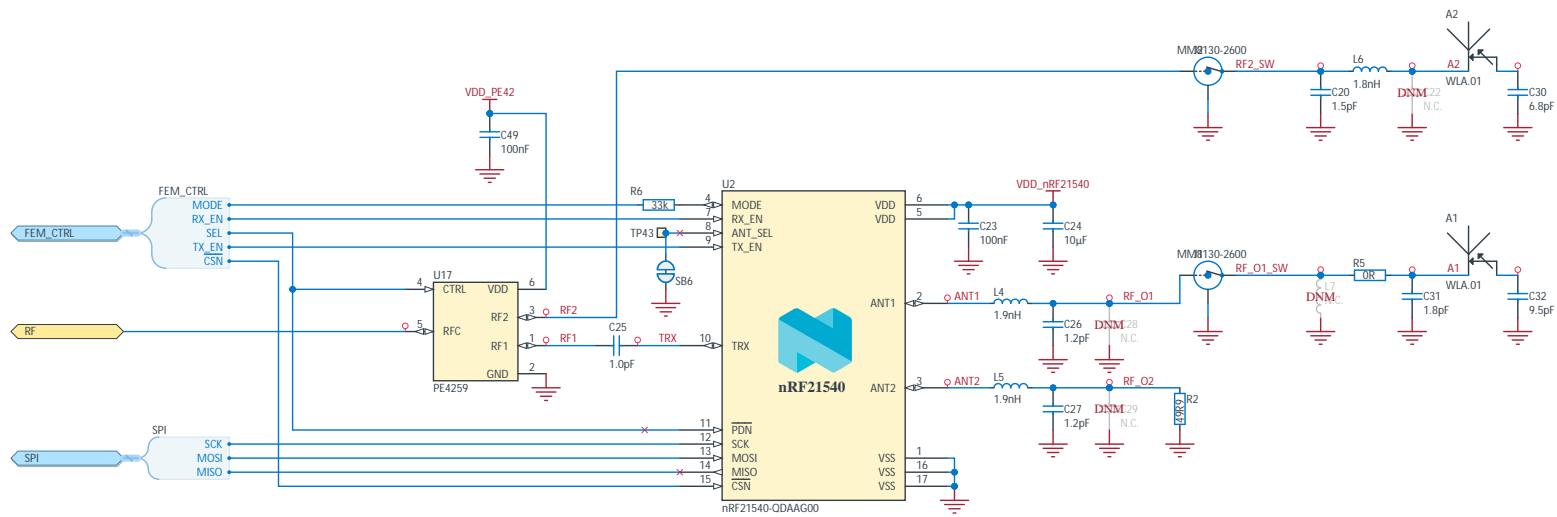


nRF7002 Expansion Board coexistence signals

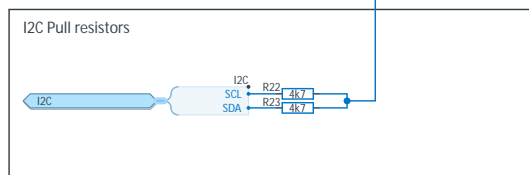
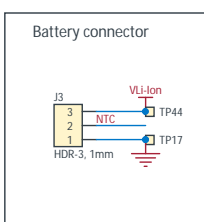
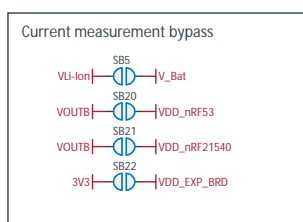
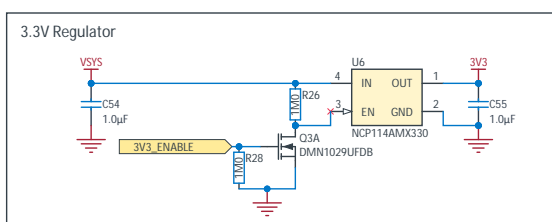
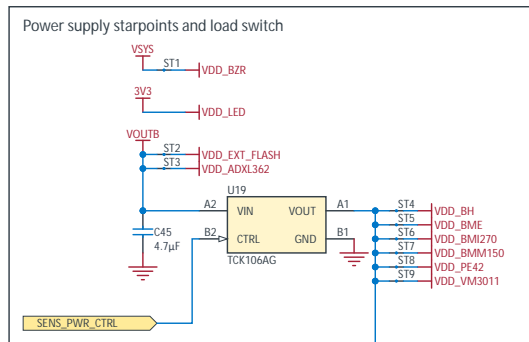
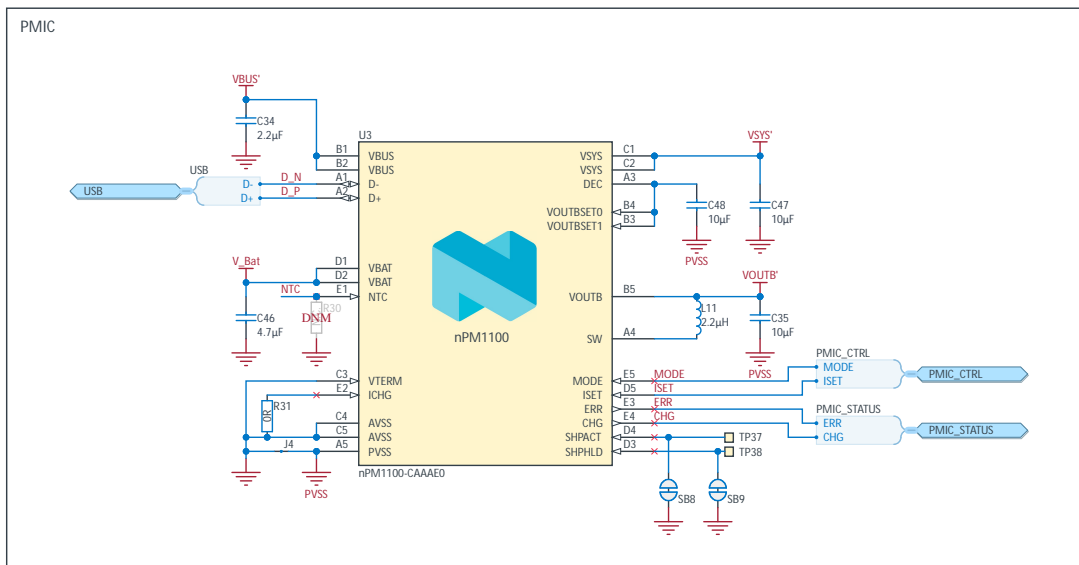
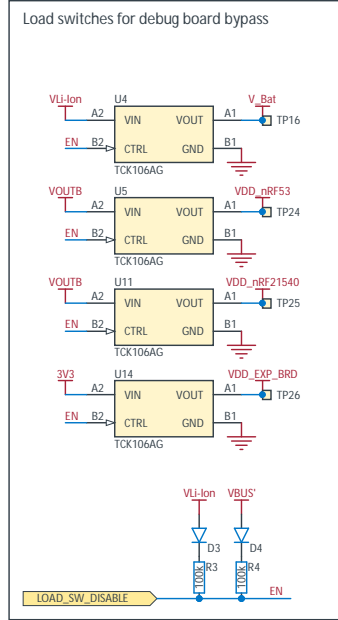
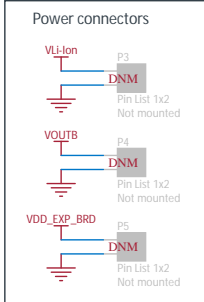
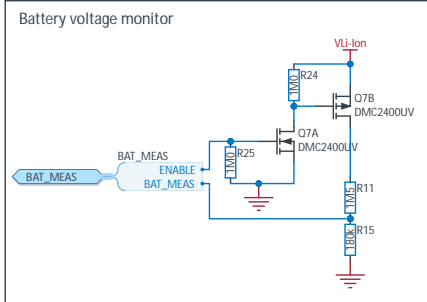
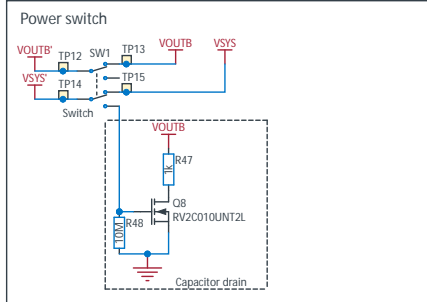


nPM1100 PMIC Status and control



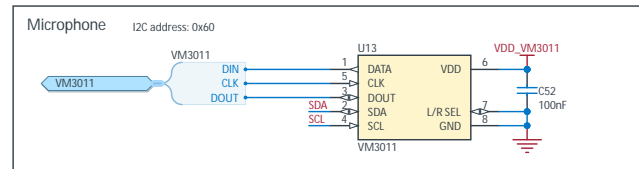
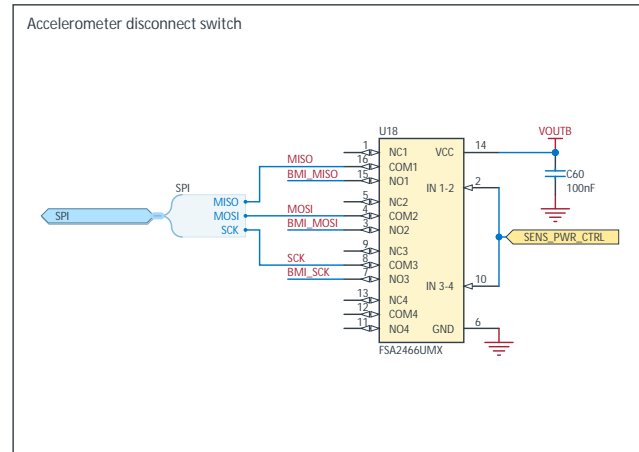
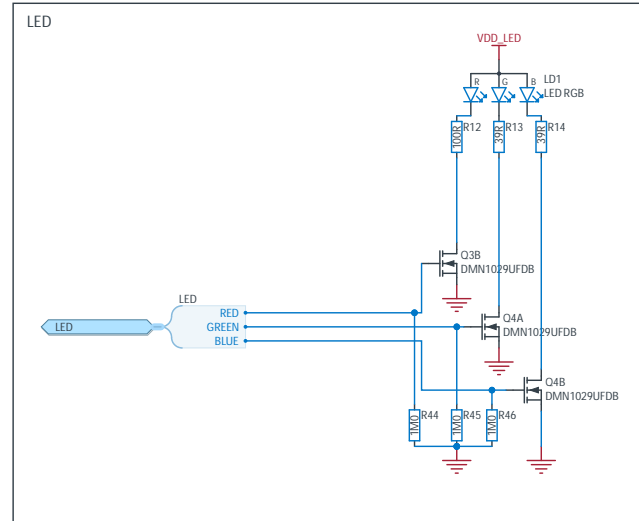
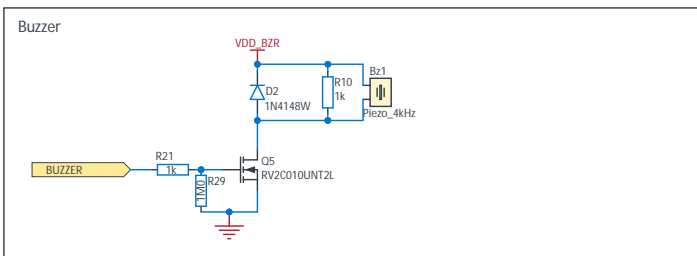
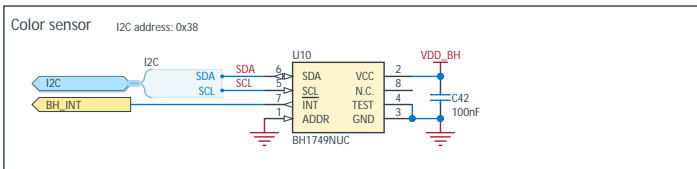
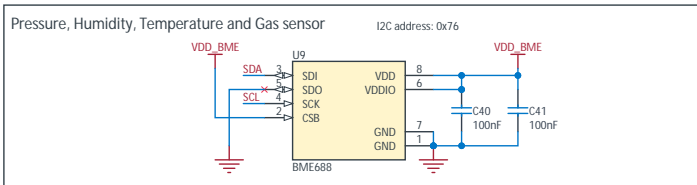
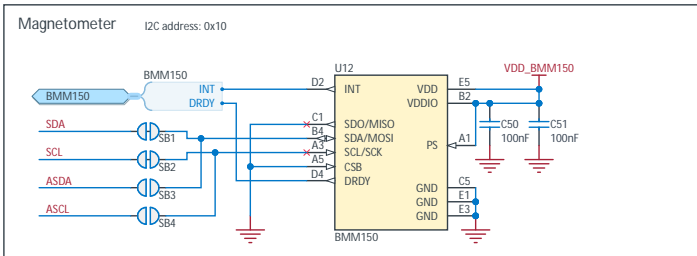
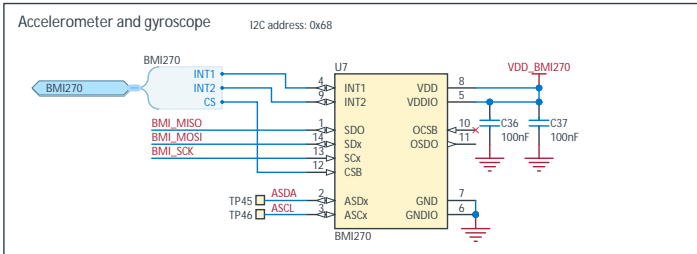
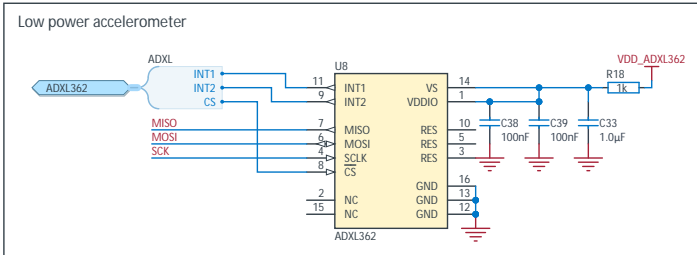


Title Thingy:53 nRF21540 Front-end module			
Size A3	PCB Assembly Number PCA20053	Revision 1.1.0	
Date: 28-Jun-23	File: pca20053_sheet3_nRF21540_FEM.SchDoc		Sheet 3 of 6
Classification: Public	Drawn By: MASI		



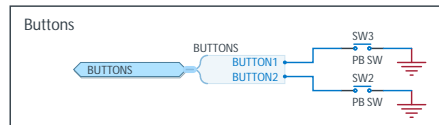
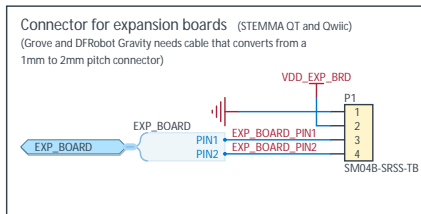
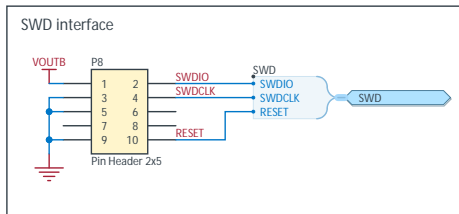
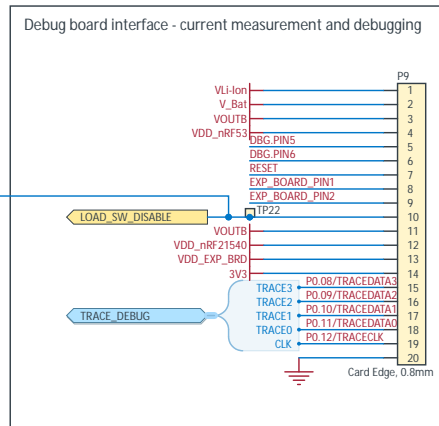
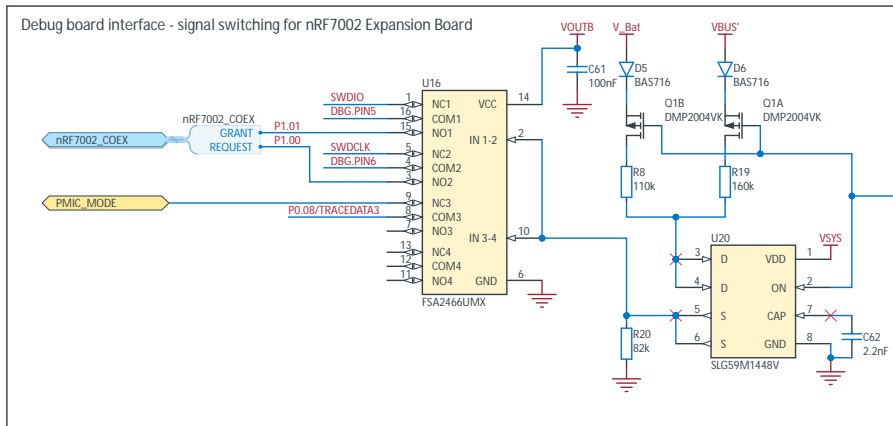
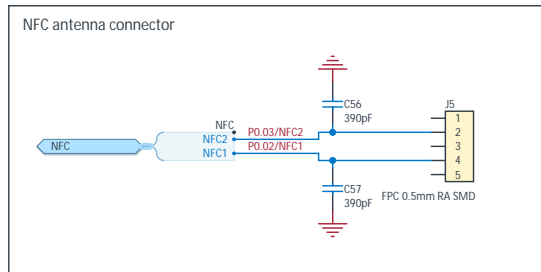
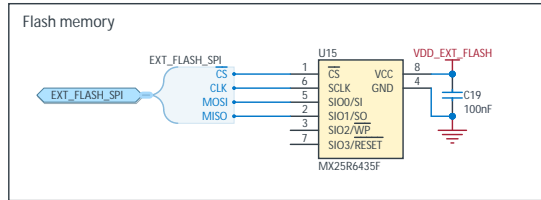
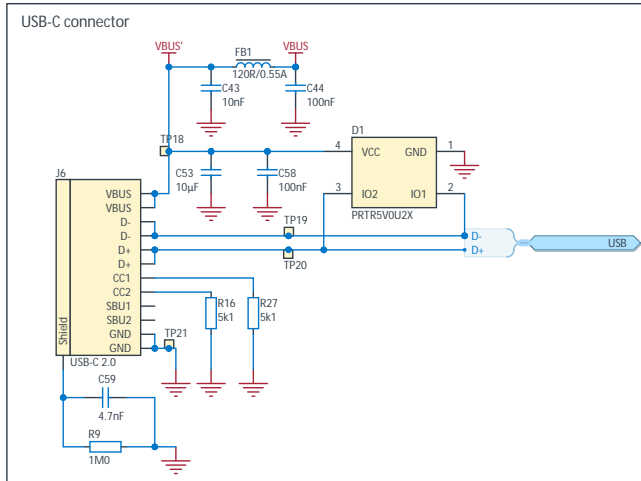
Title Thingy:53 Power Supply		Revision	
Size A3	PCB Assembly Number PCA20053	1.1.0	
Date: 28-Jun-23	File: pca20053_sheet4_power_supply.SchDoc	Sheet 4 of 6	
Classification: Public		Drawn By: MASI	





Title Thingy:53 Sensors and LEDs		Revision	
Size A3	PCB Assembly Number PCA20053	1.1.0	
Date: 28-Jun-23	File: pca20053_sheet5_sensors_and_leds.SchDoc	Sheet 5 of 6	
Classification: Public		Drawn By: MASI	

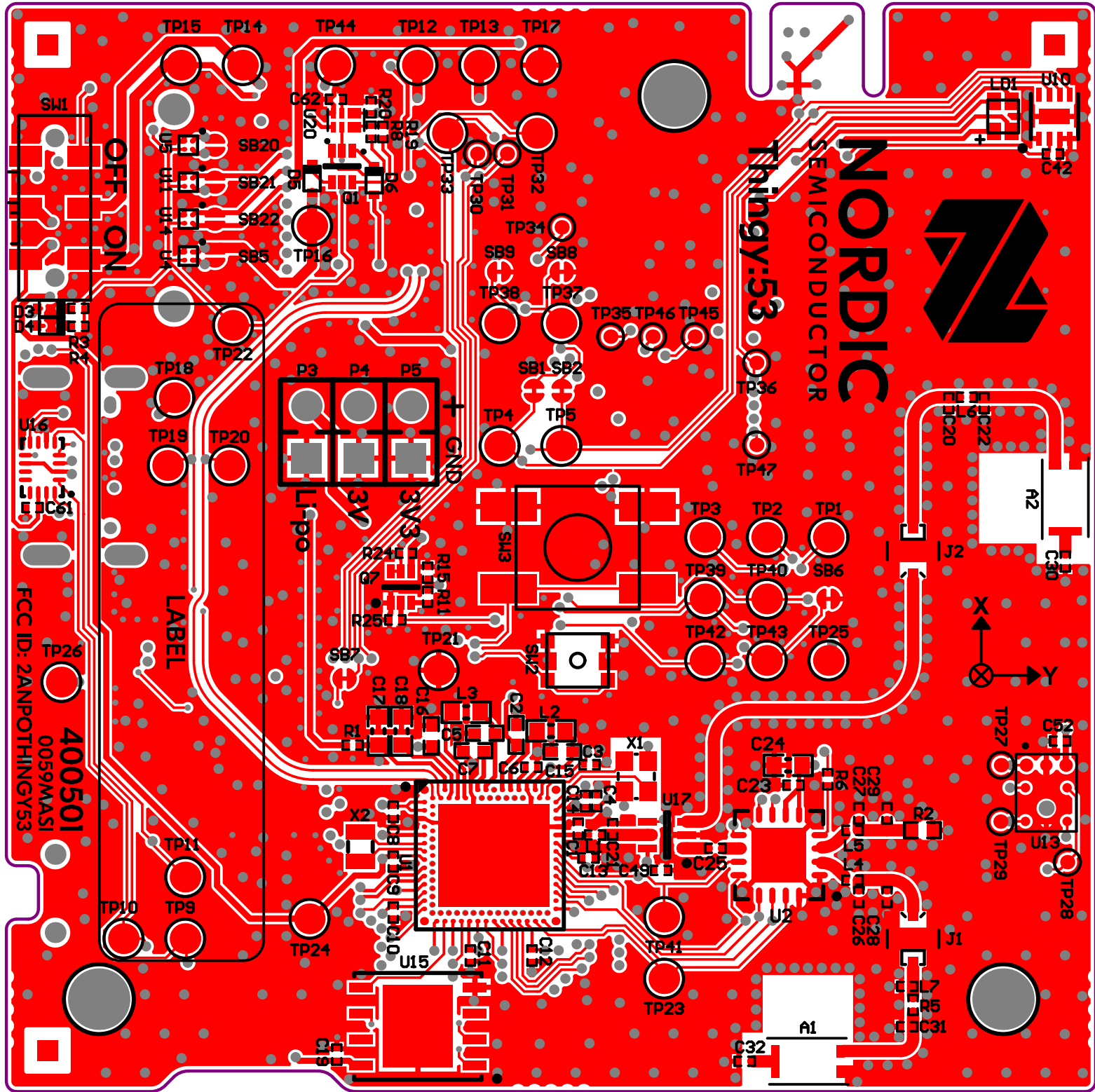






NORDIC
SEMICONDUCTOR

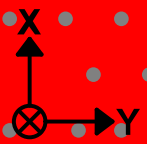
Thingy:53

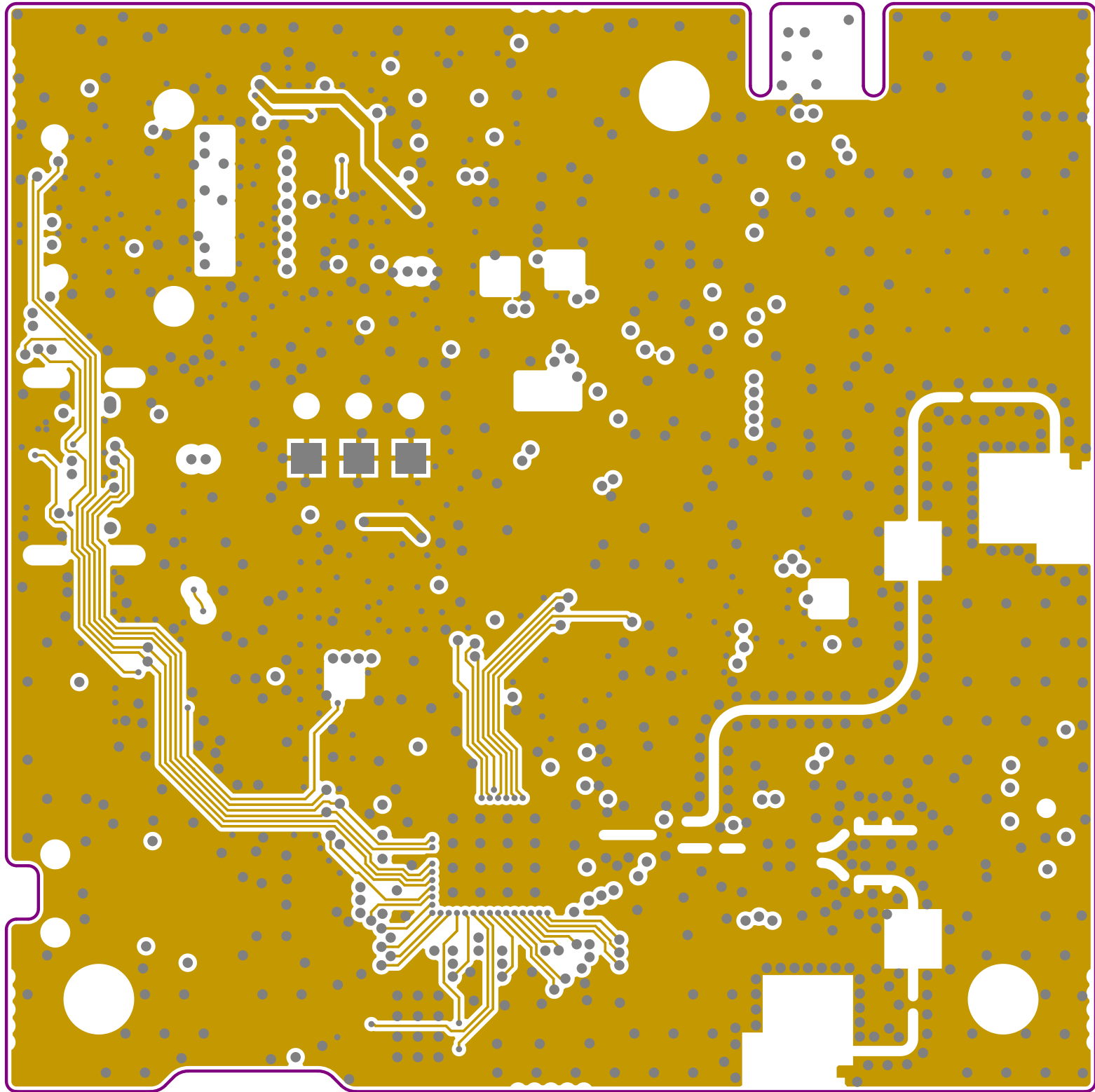


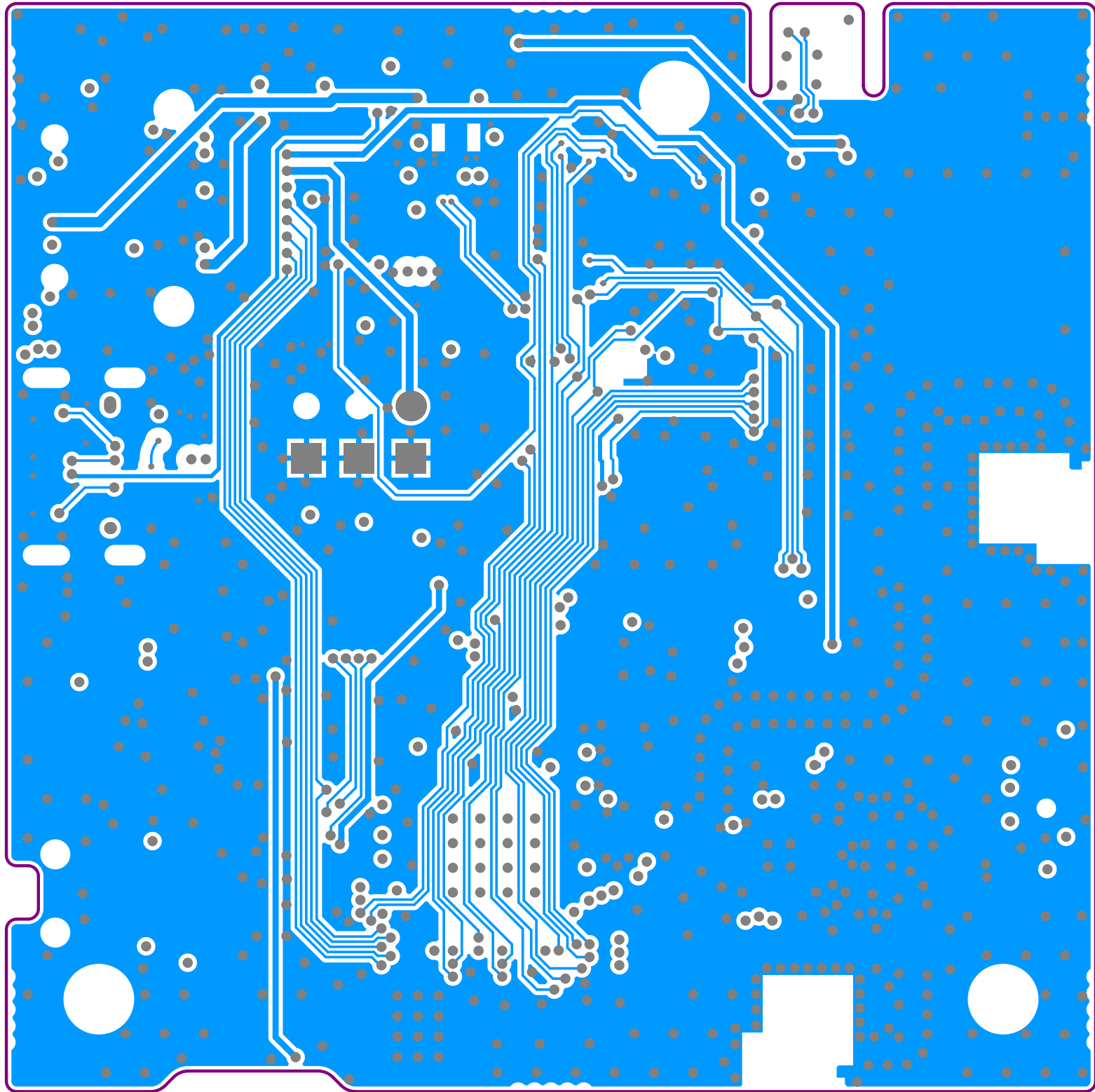
FCC ID: 2ANPOTHINGY53
400501
0059MASI

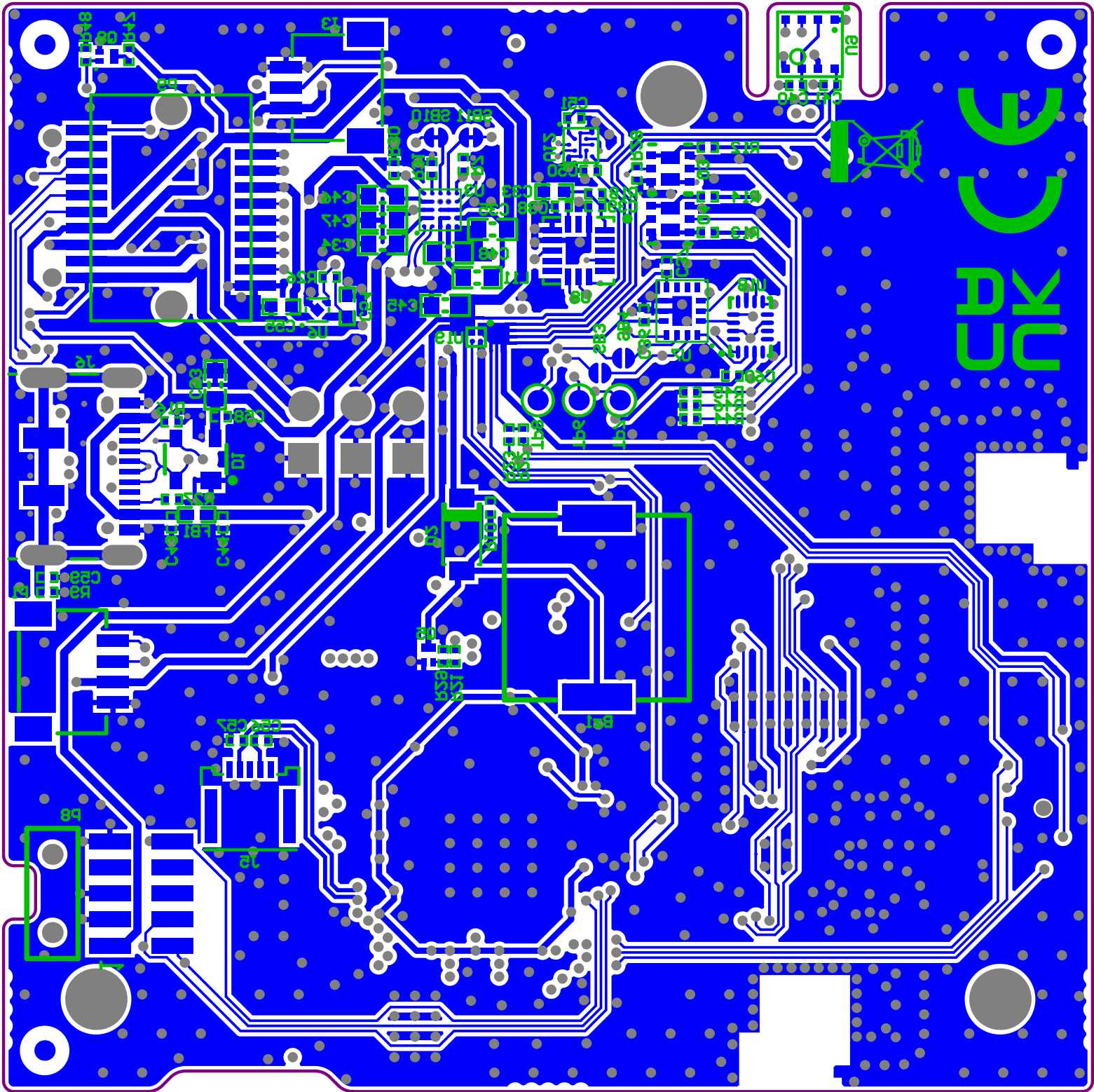
OFF ON

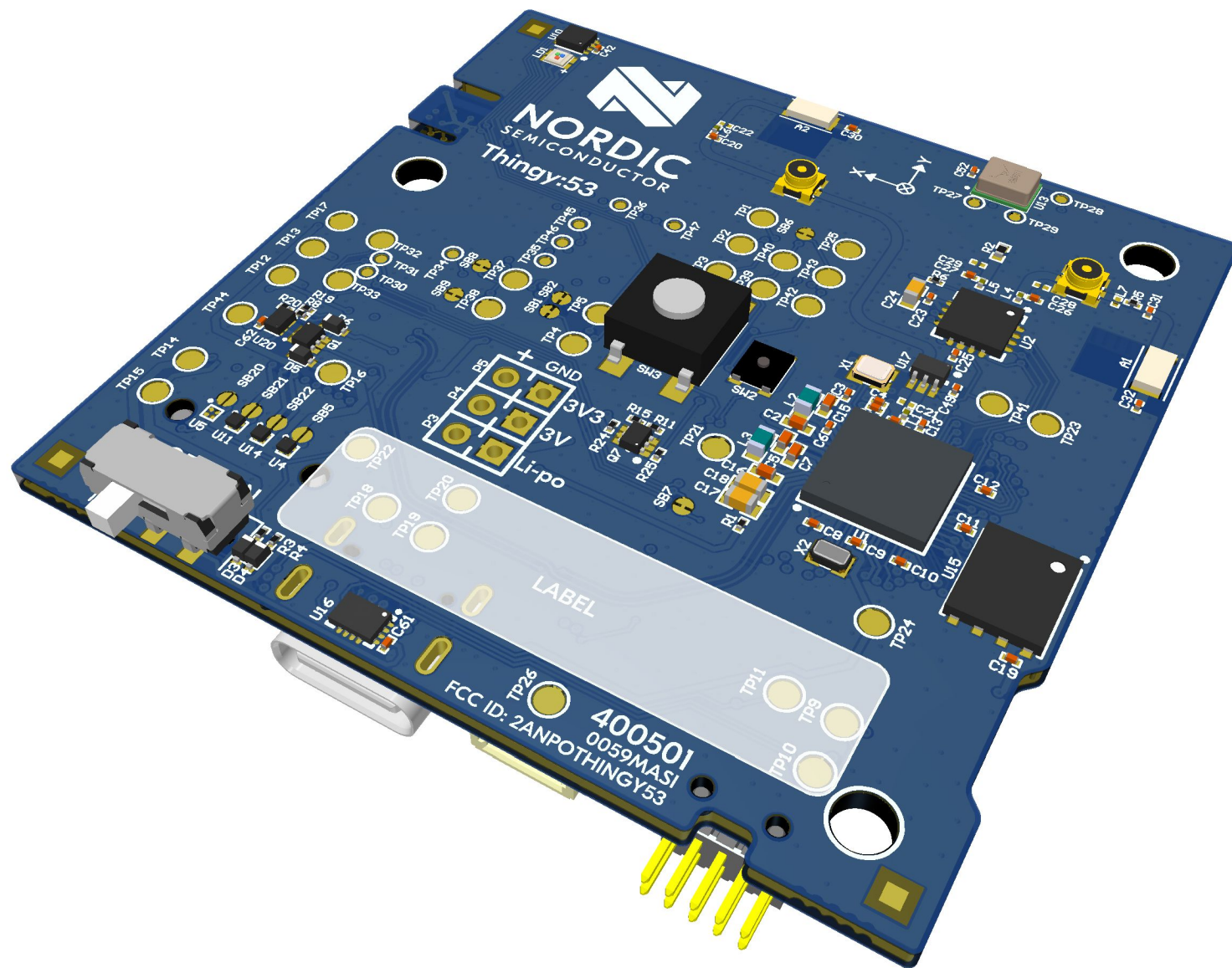
LABEL











NORDIC
SEMICONDUCTOR
Thingy:53

Li-po
3V3
GND
PA
BS

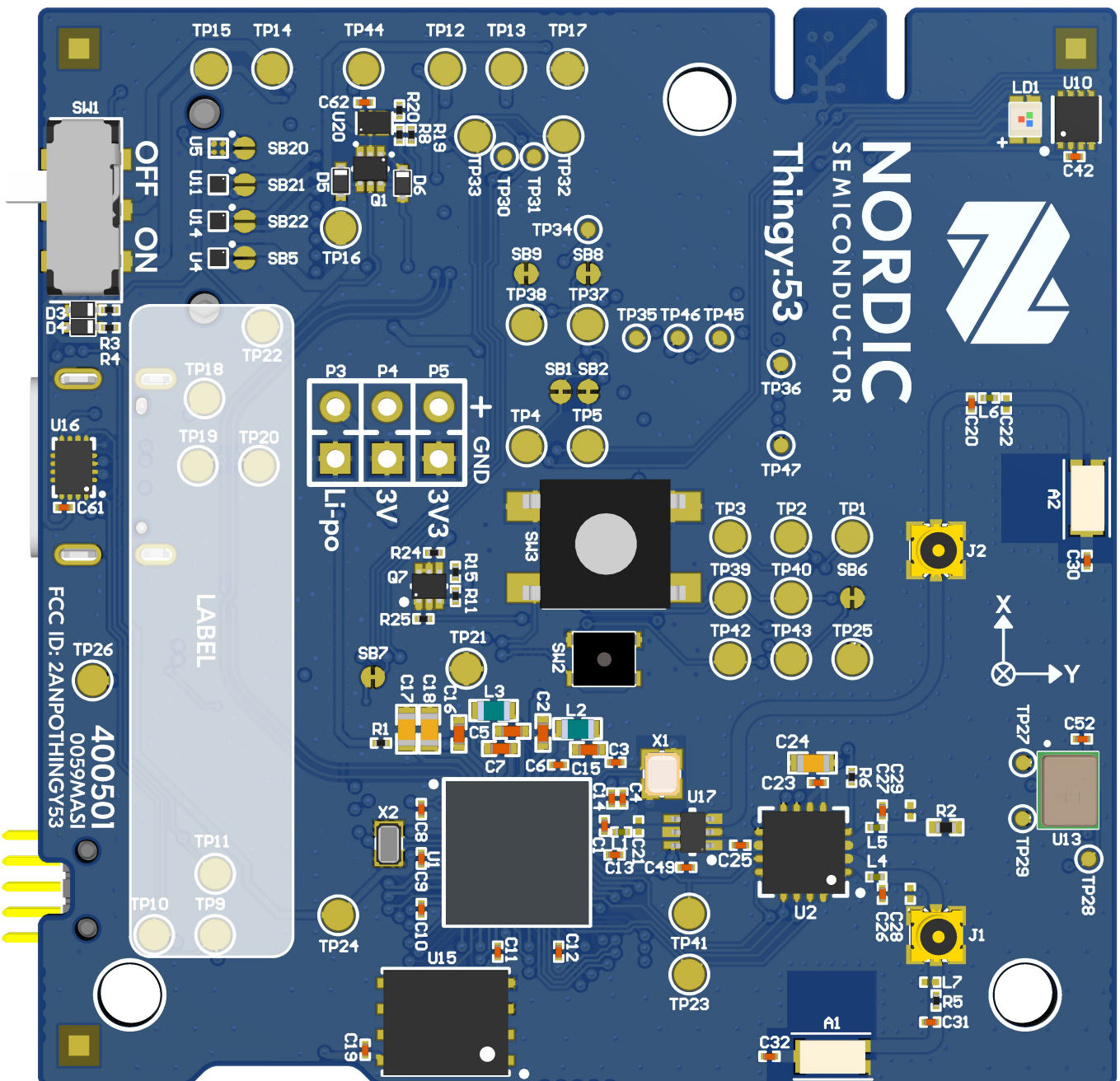
TP26
FCC ID: 2ANPOTHINGY53
400501
0059MASI

TP1
TP8
TP10



NORDIC
SEMICONDUCTOR

Thingy:53



FCC ID: 2ANPOTHINGY53
400501
0059MASI

OFF ON

LABEL

Li-po

3V3

3V3

GND



UKA CE

