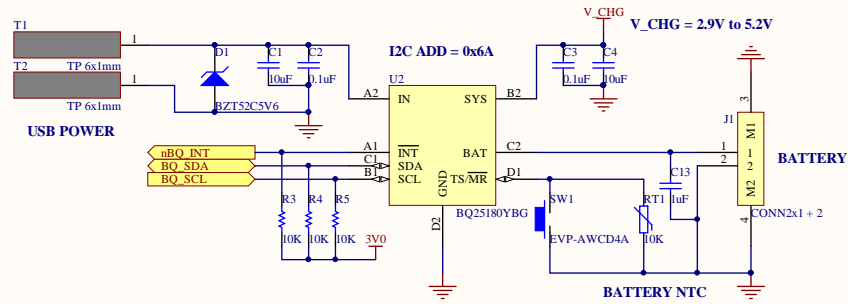
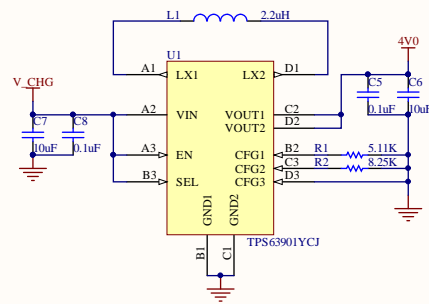


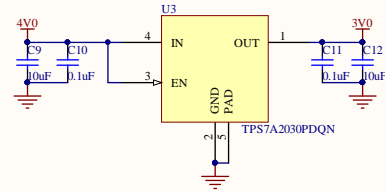
POWER IN & BATTERY



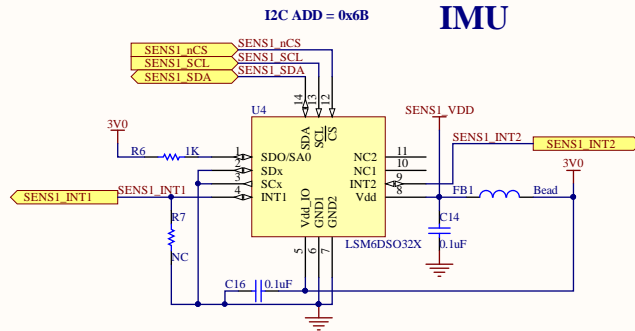
4V BUCK BOOST



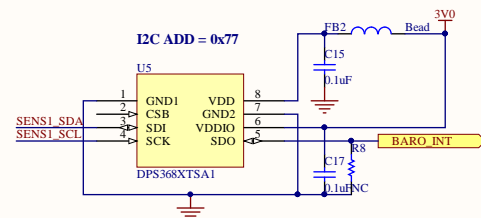
3V LDO



IMU



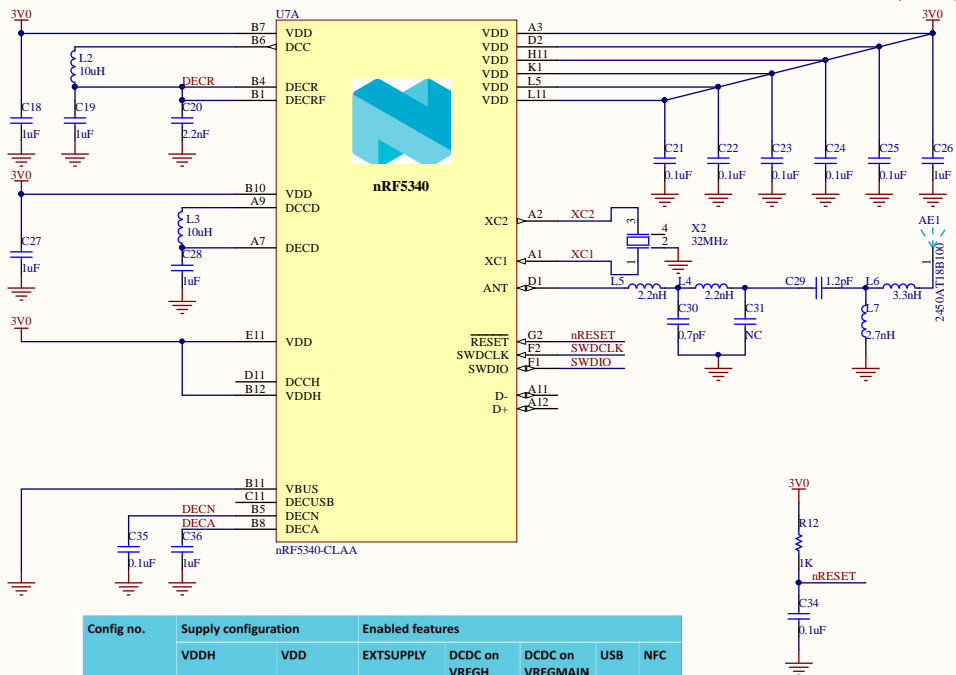
BAROMETER



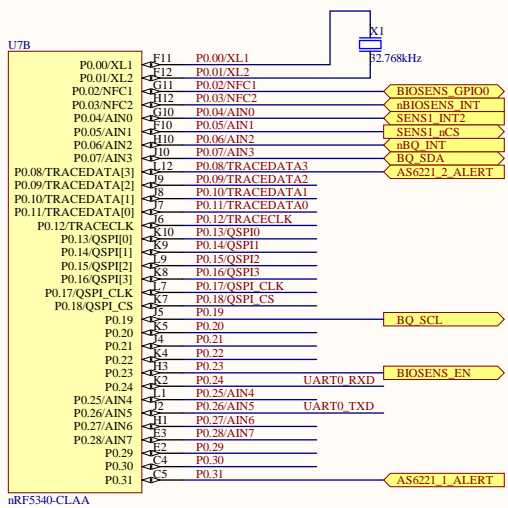
Revision 1.0

SIZE A3	ELEC Kirti Patil	SUB TITLE 04_POWER_IMU_BARO.SchDoc	
DATE 6/18/2022	ASSY. NO. RING2	FAB. NO. RING2	SHEET 4 OF 6

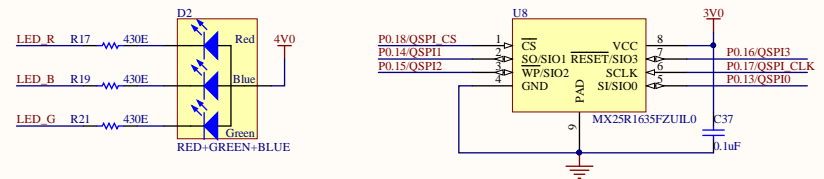
NRF5340



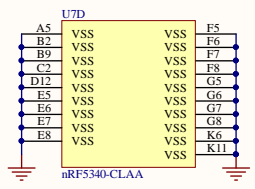
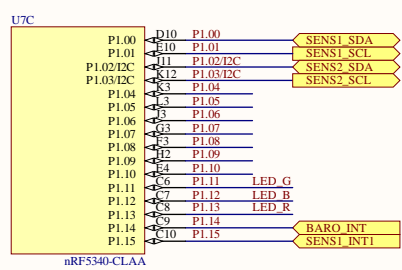
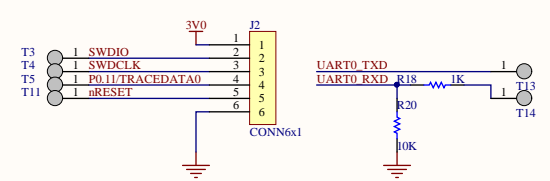
Config no.	Supply configuration		Enabled features				
	VDDH	VDD	EXTSUPPLY	DCDC on VREGH	DCDC on VREGMAIN and VREGRADIO	USB	NFC
Config. 3	N/A	Battery/Ext. regulator	No	No	Yes	No	No



FLASH



DEBUG



Revision 1.0

SIZE A3	ELEC Kirti Patil	SUB TITLE 05_MCU_NRF5340_SchDoc	
DATE 6/18/2022	ASSY. NO. RING2	FAB. NO. RING2	SHEET 5 OF 6