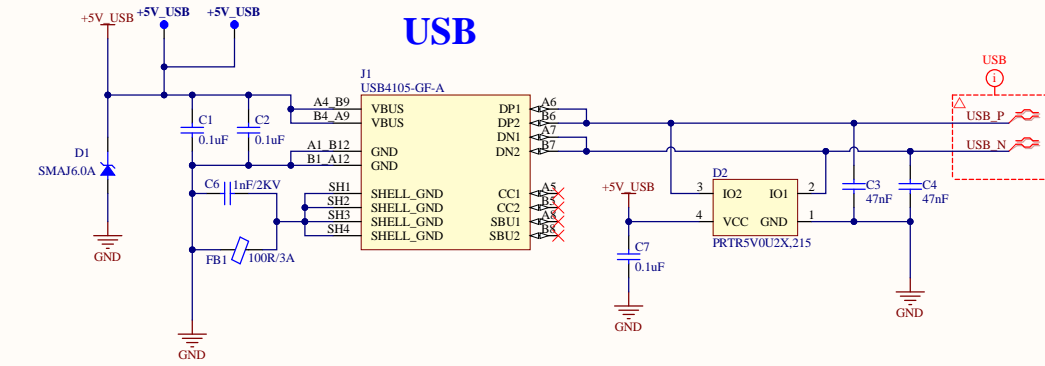
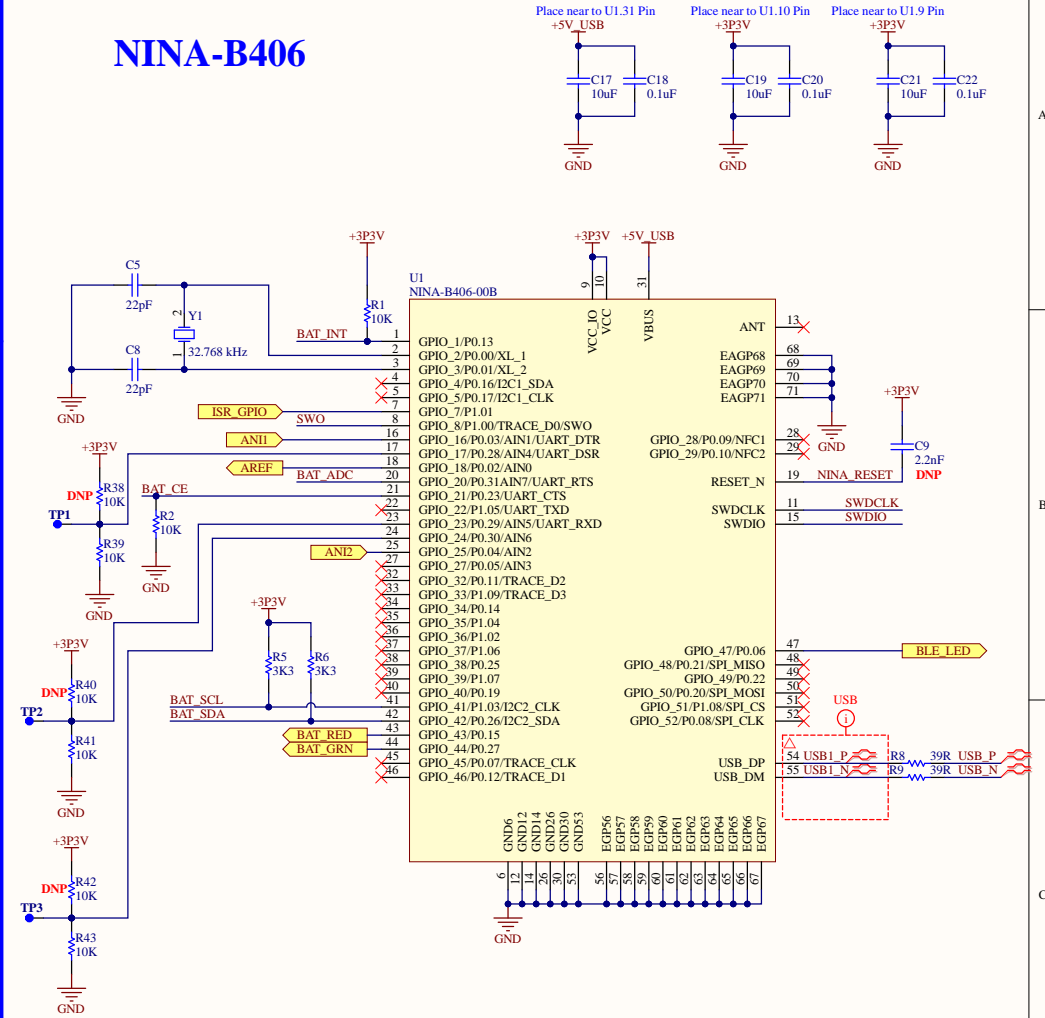


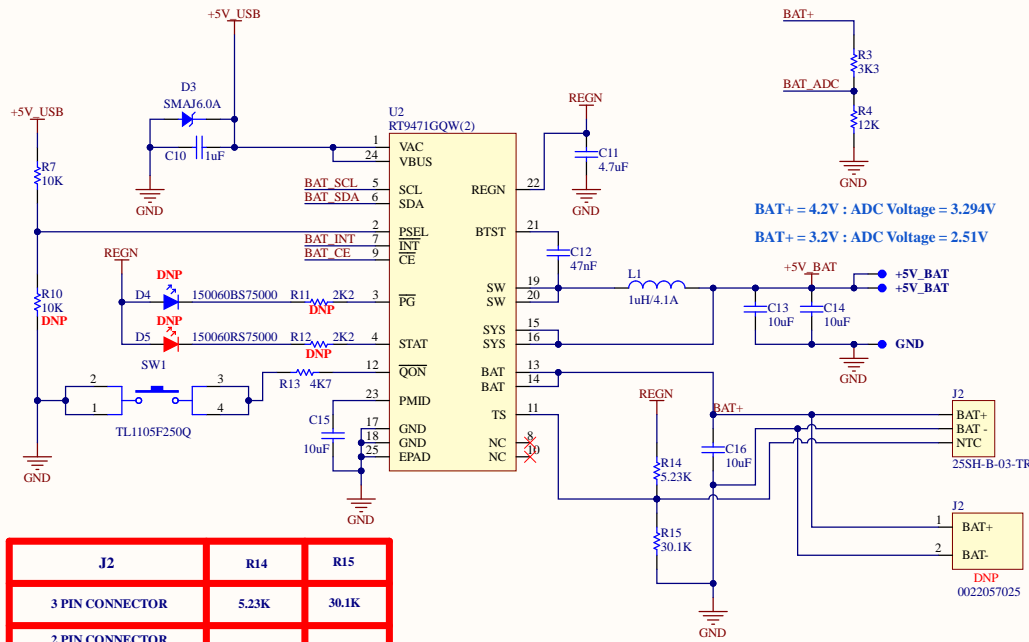
USB



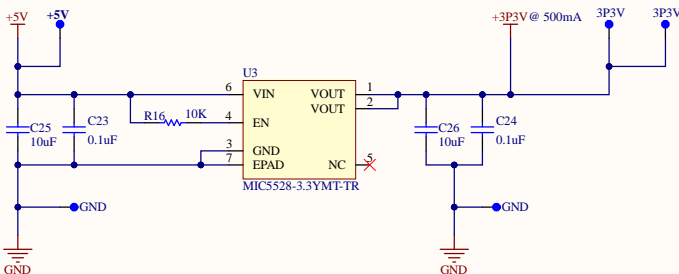
NINA-B406



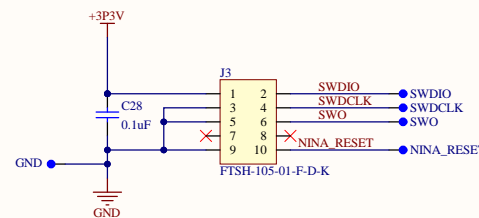
BATTERY CHARGING



+5V TO +3.3V CONVERTER



DEBUG CONNECTOR



RESET CIRCUIT

