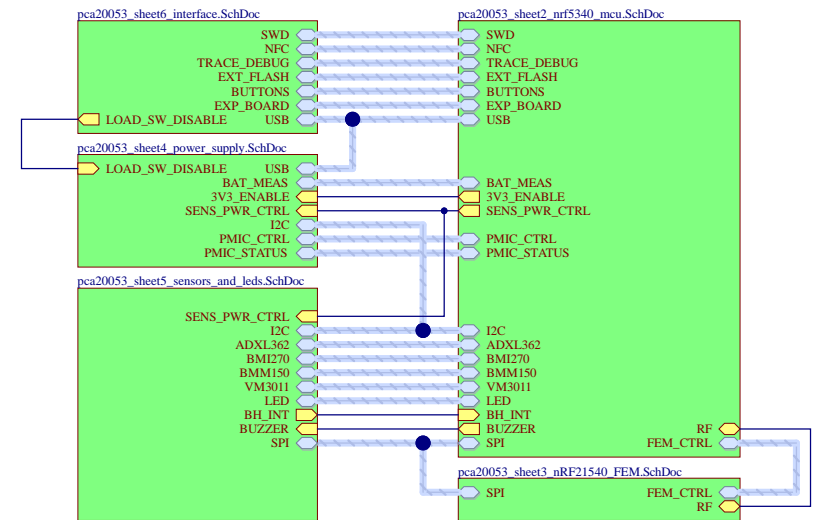


Nordic Semiconductor ASA

Thingy:53 Board

- Sheet 1: Connections
- Sheet 2: nRF5340 MCU
- Sheet 3: nRF21540 FEM
- Sheet 4: Power Supply
- Sheet 5: Sensors and LEDs
- Sheet 6: Interface

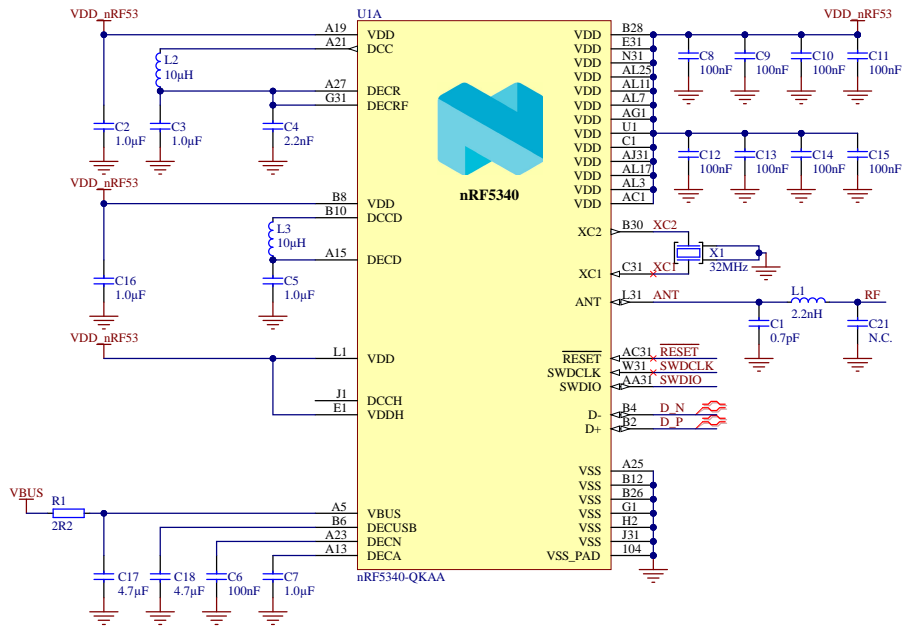


× The No ERC object is a design directive.
This directive is placed on a node in the circuit to suppress harmless warnings and/or error violation conditions that are detected when the schematic project is compiled.

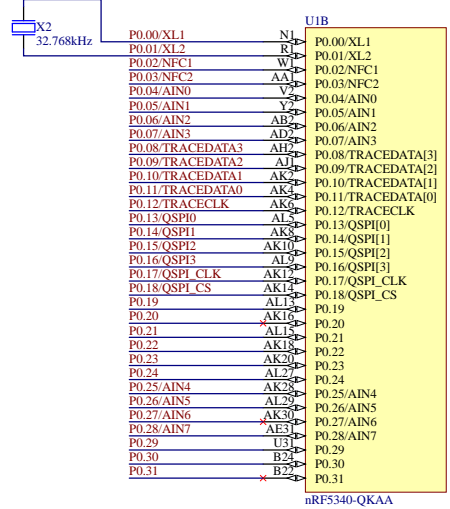
Title		Revision	
Thingy:53 Connections		1.0.0	
Size	PCB Assembly Number	Revision	
A3	PCA20053	1.0.0	
Date:	2022.02.16	Sheet 1 of 6	
File:	pea20053_sheet1_connections.SchDoc	Drawn By: MASI	



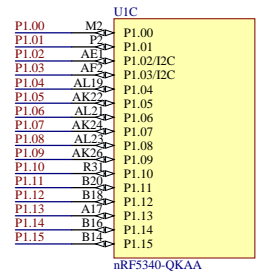
nRF5340 MCU



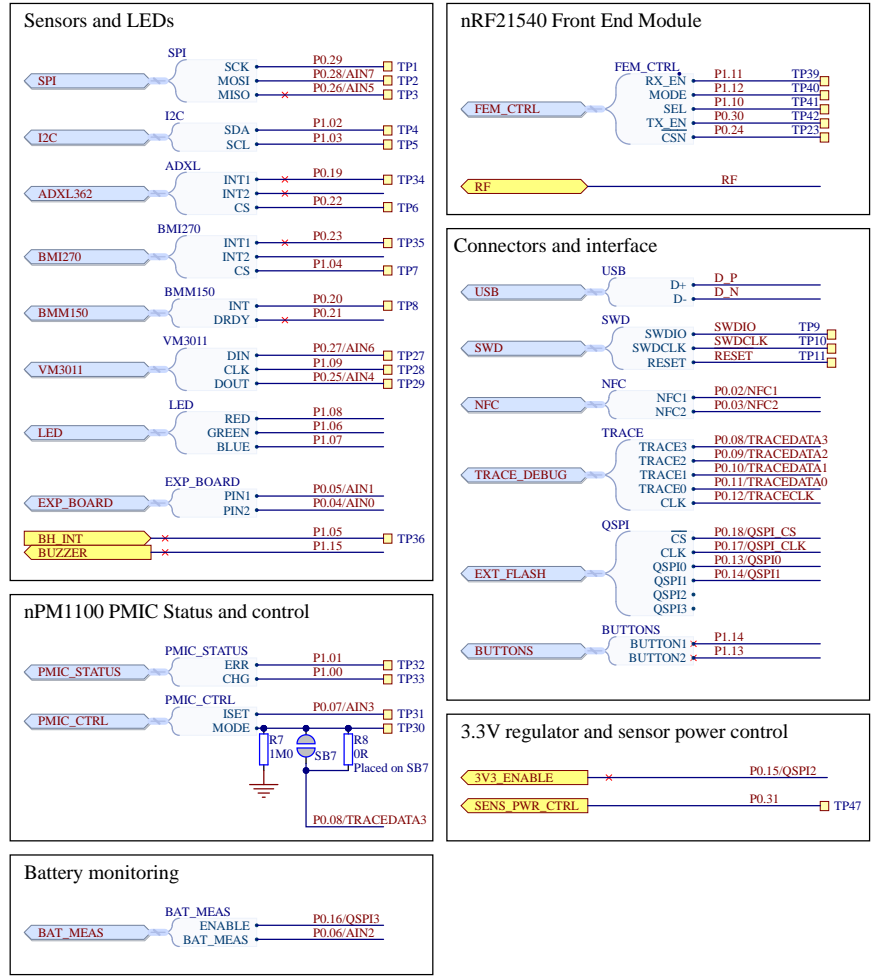
Port 0 GPIO's

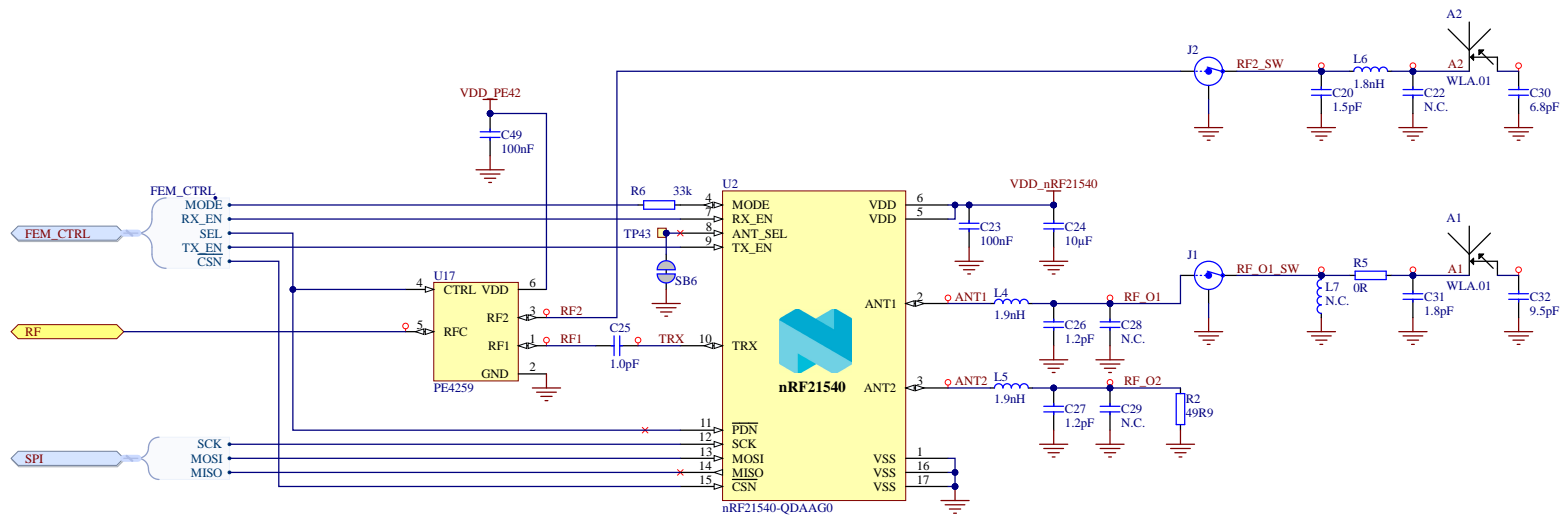


Port 1 GPIO's

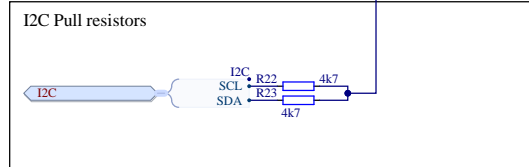
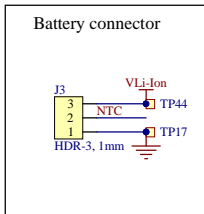
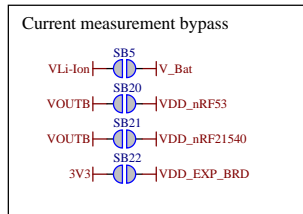
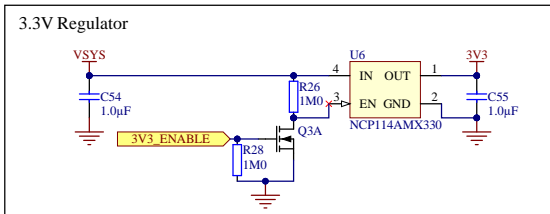
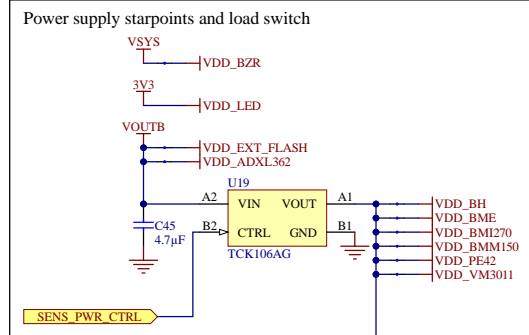
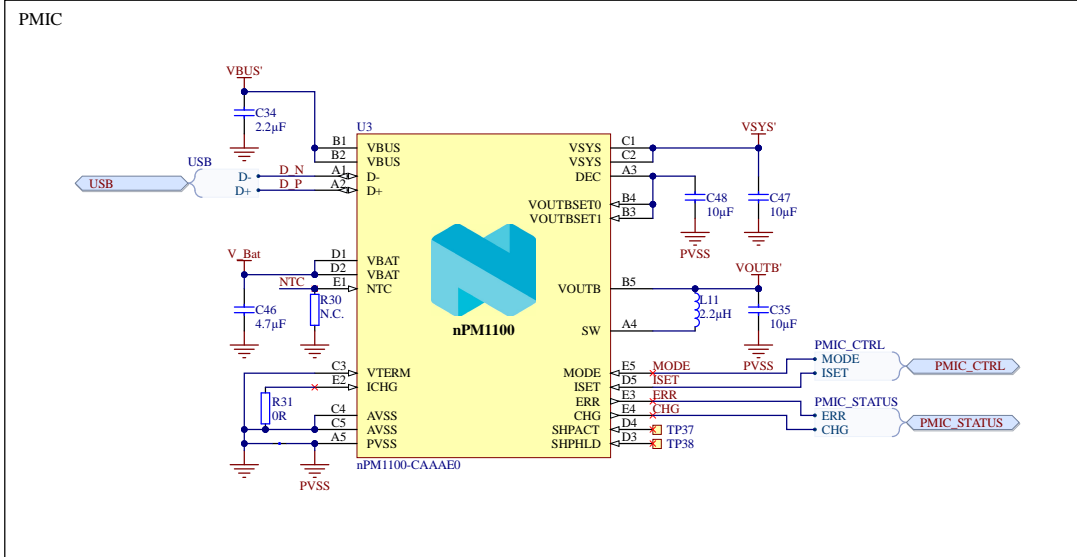
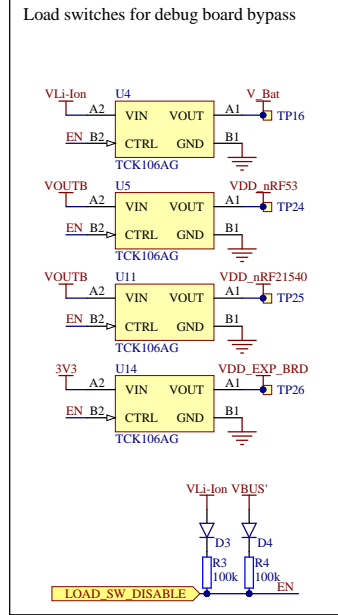
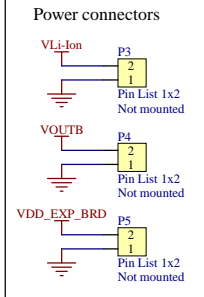
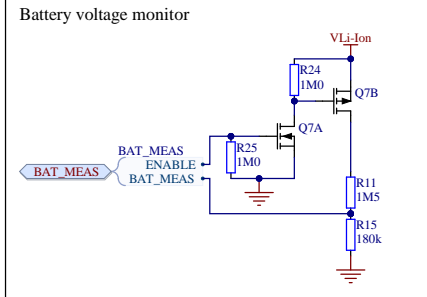
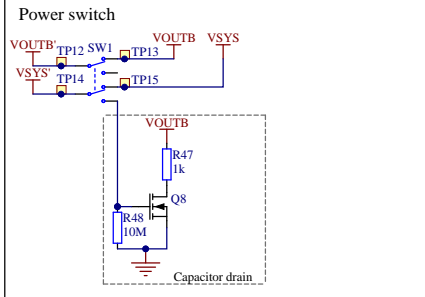


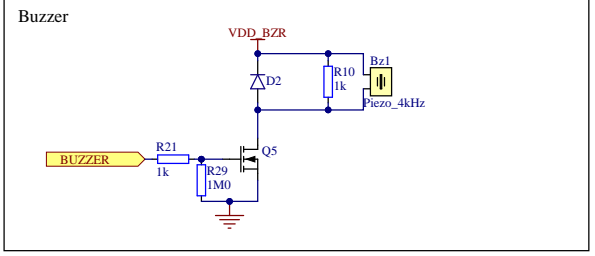
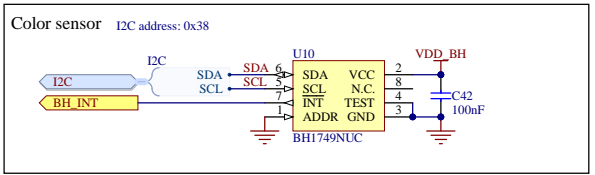
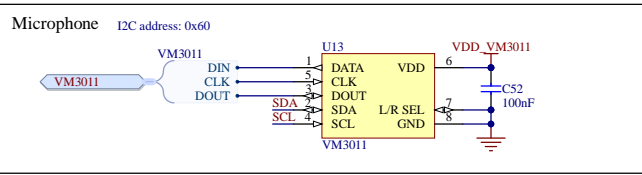
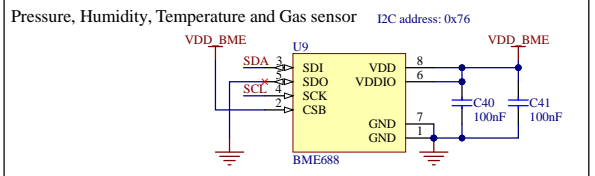
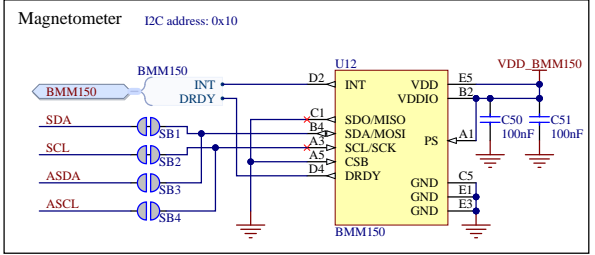
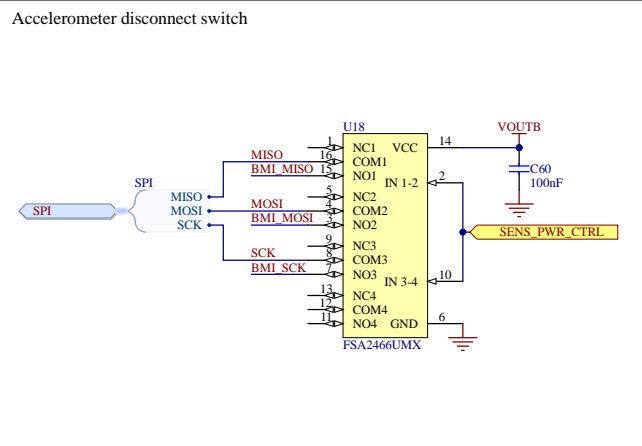
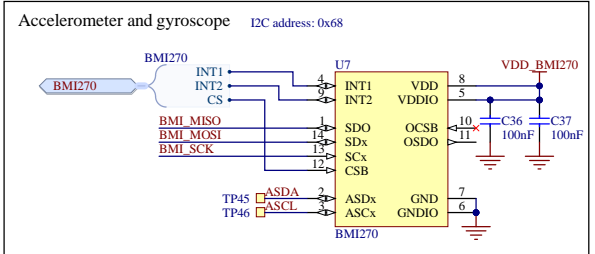
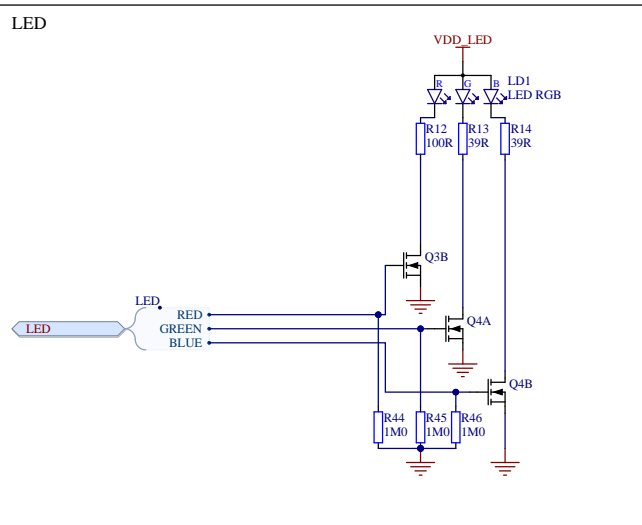
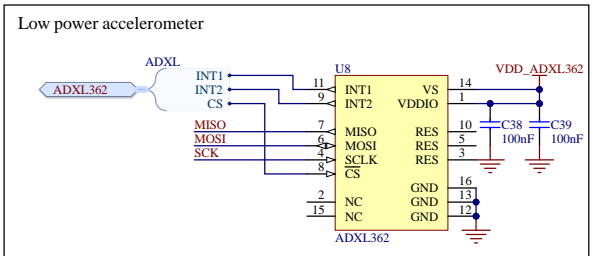
nRF5340 GPIO pin mapping

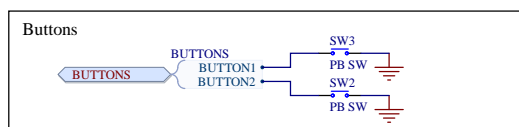
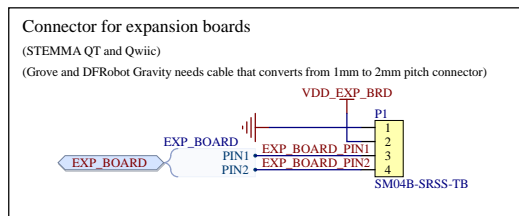
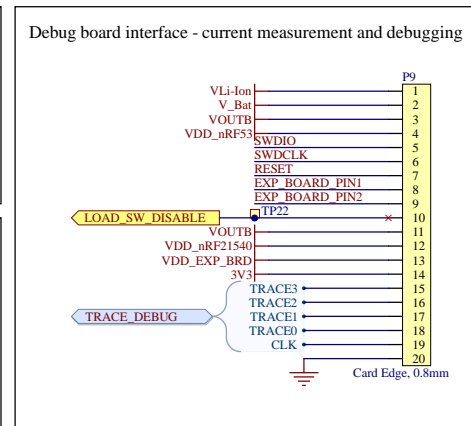
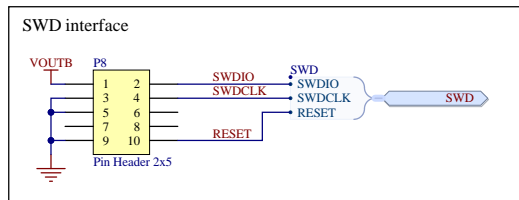
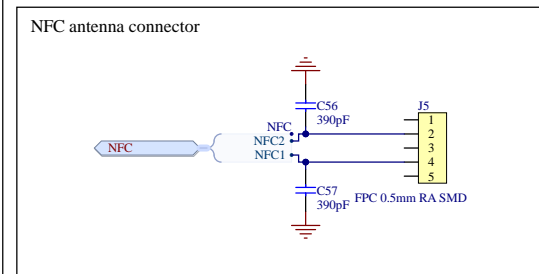
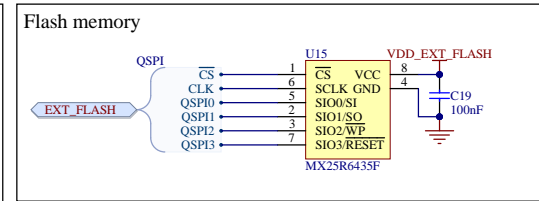
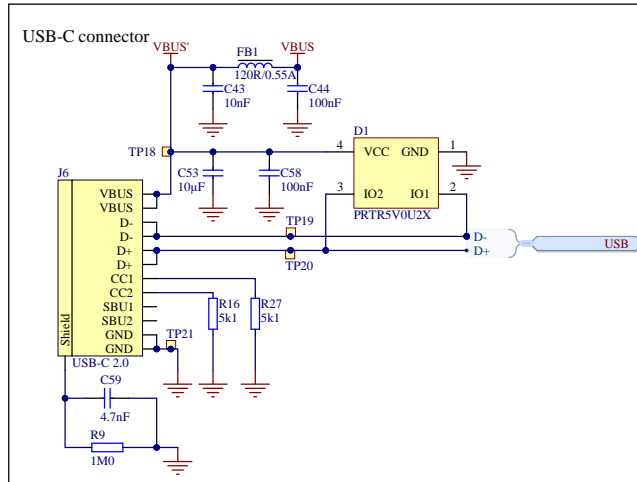




Title Thingy:53 nRF21540 Front-end module			
Size A3	PCB Assembly Number PCA20053	Revision 1.0.0	
Date: 2022.02.16	Sheet 3 of 6		Drawn By: MASI
File: pca20053_sheet3_nRF21540_FEM.SchDoc			



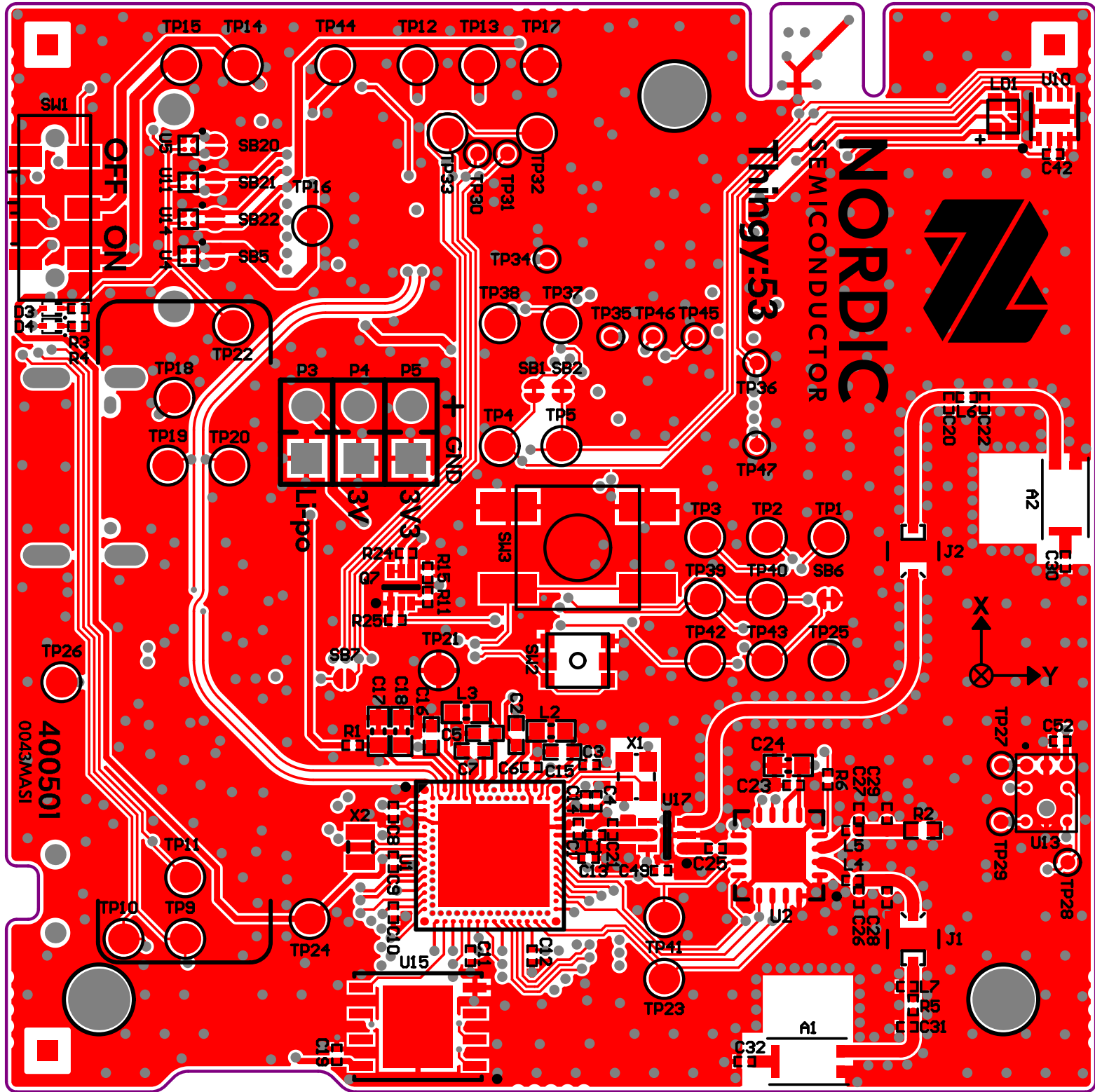






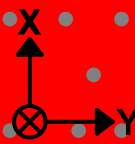
NORDIC
SEMICONDUCTOR

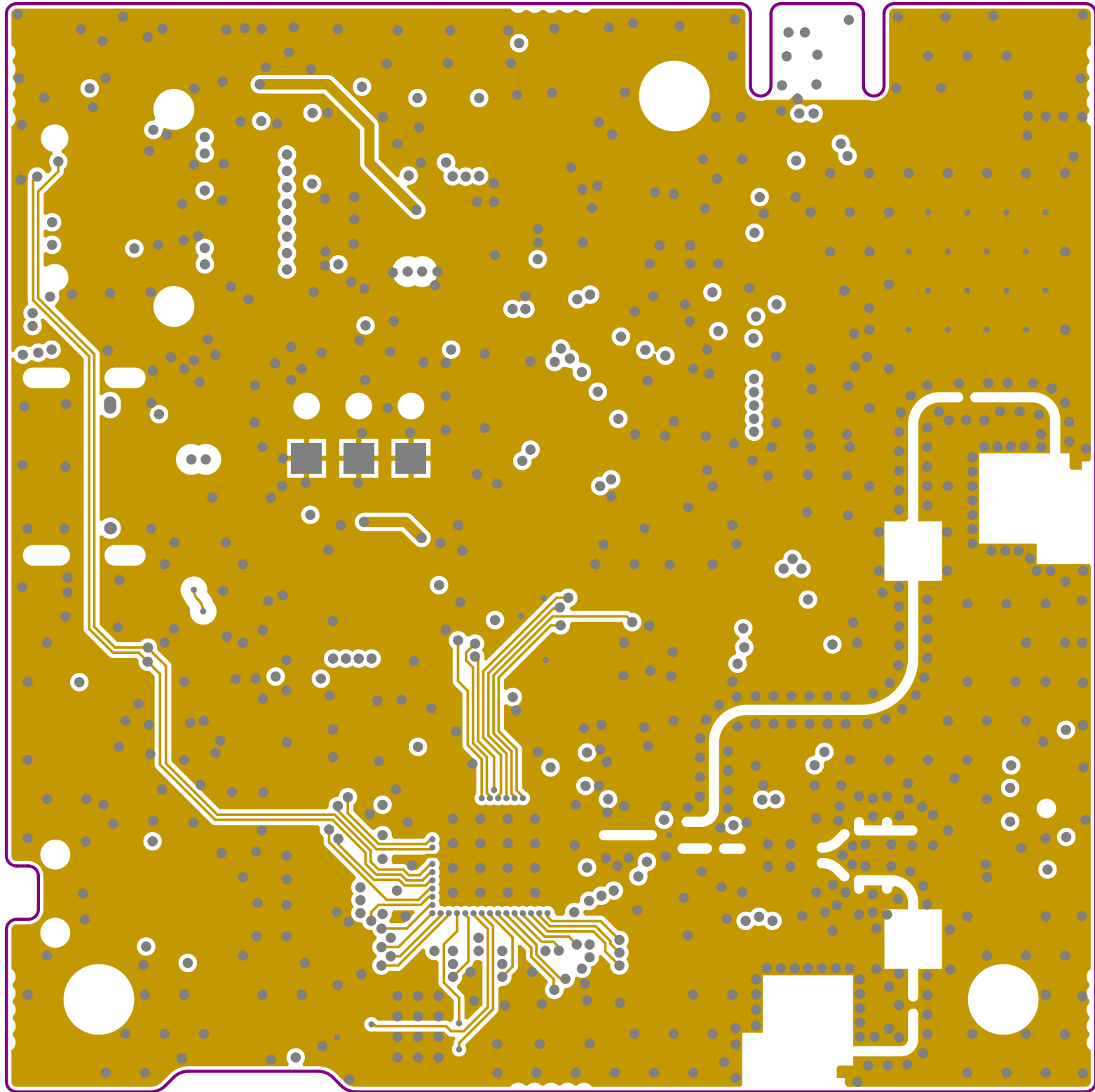
Thingy:53

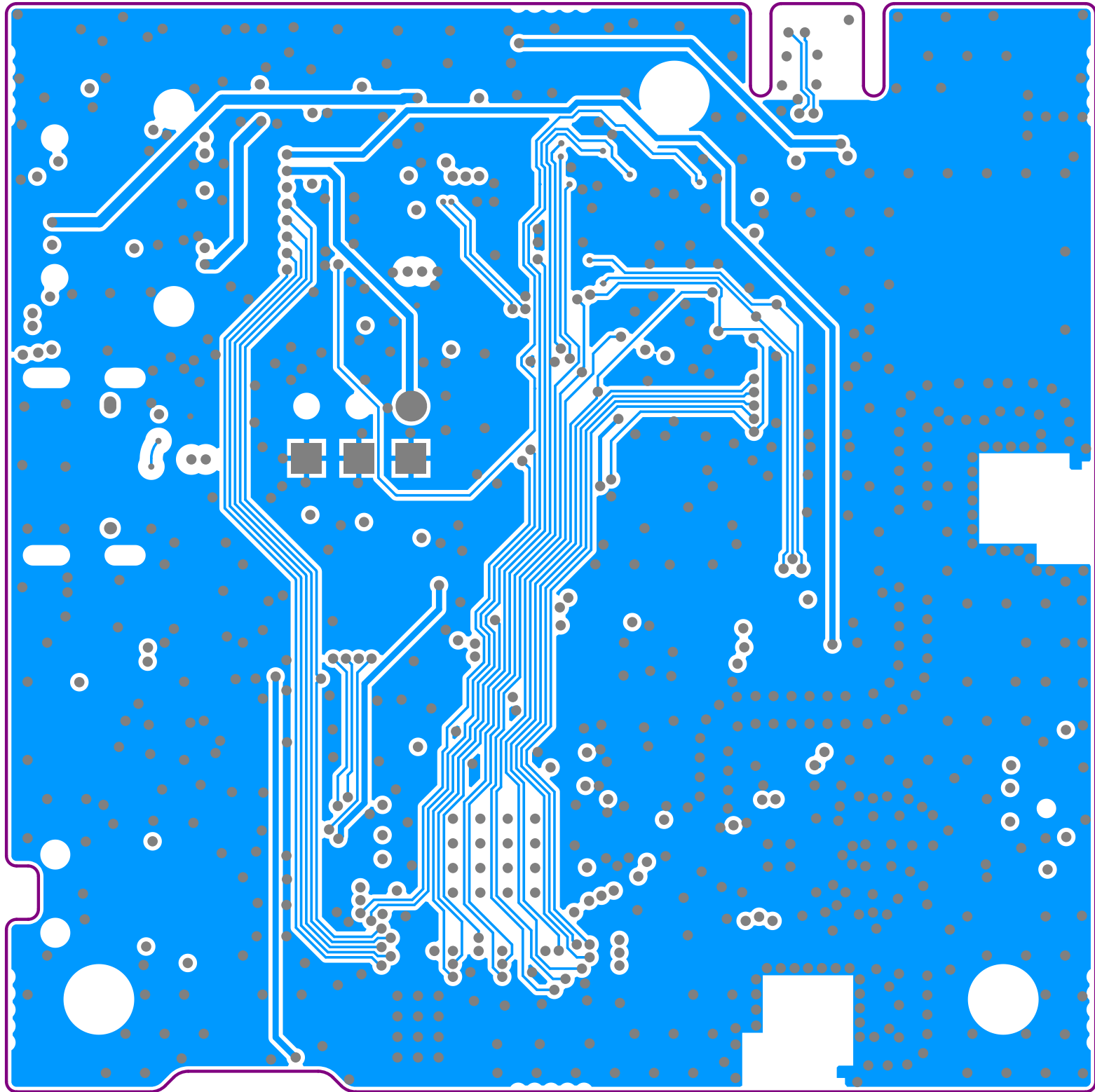


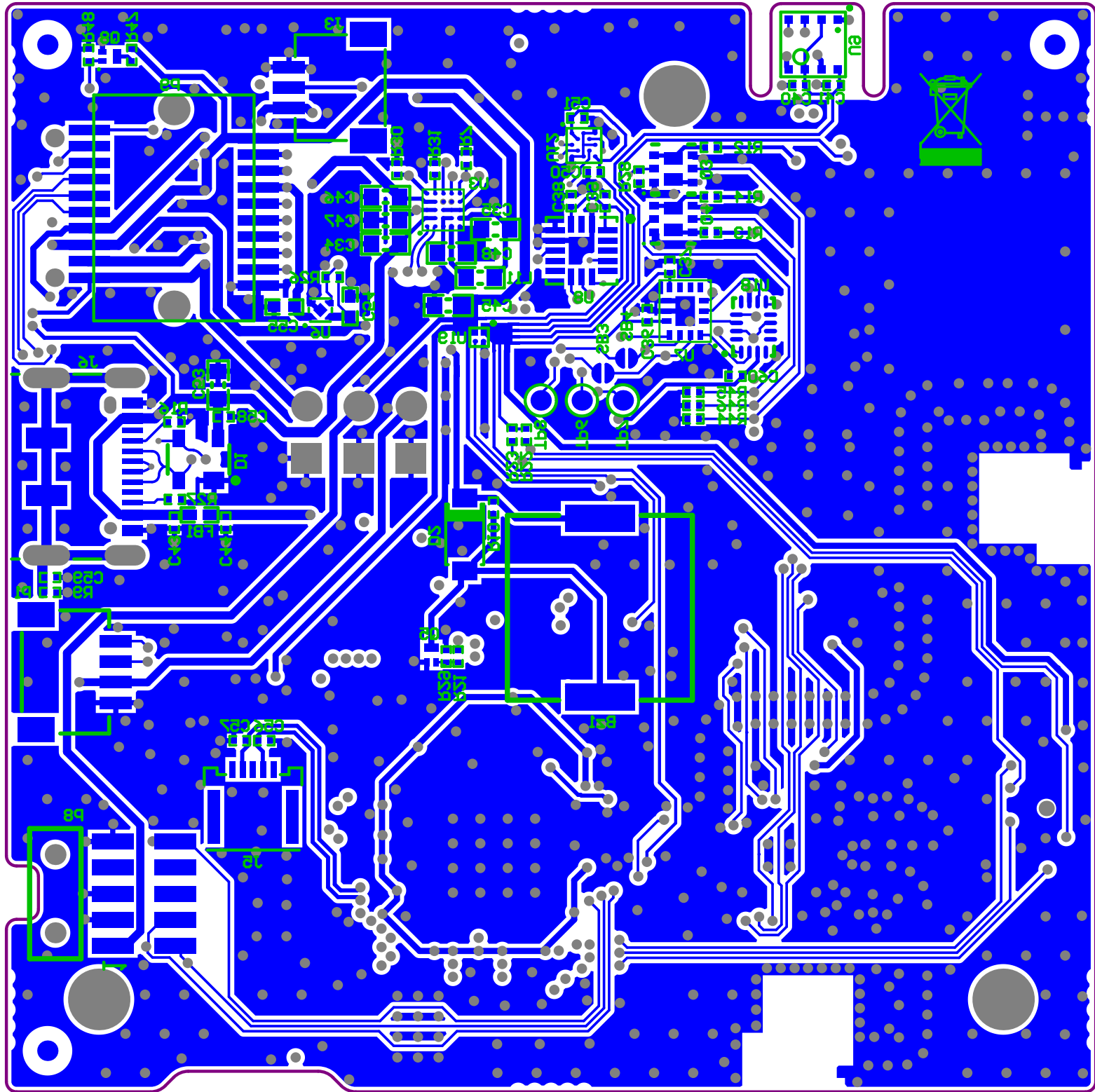
400501
0043MASI

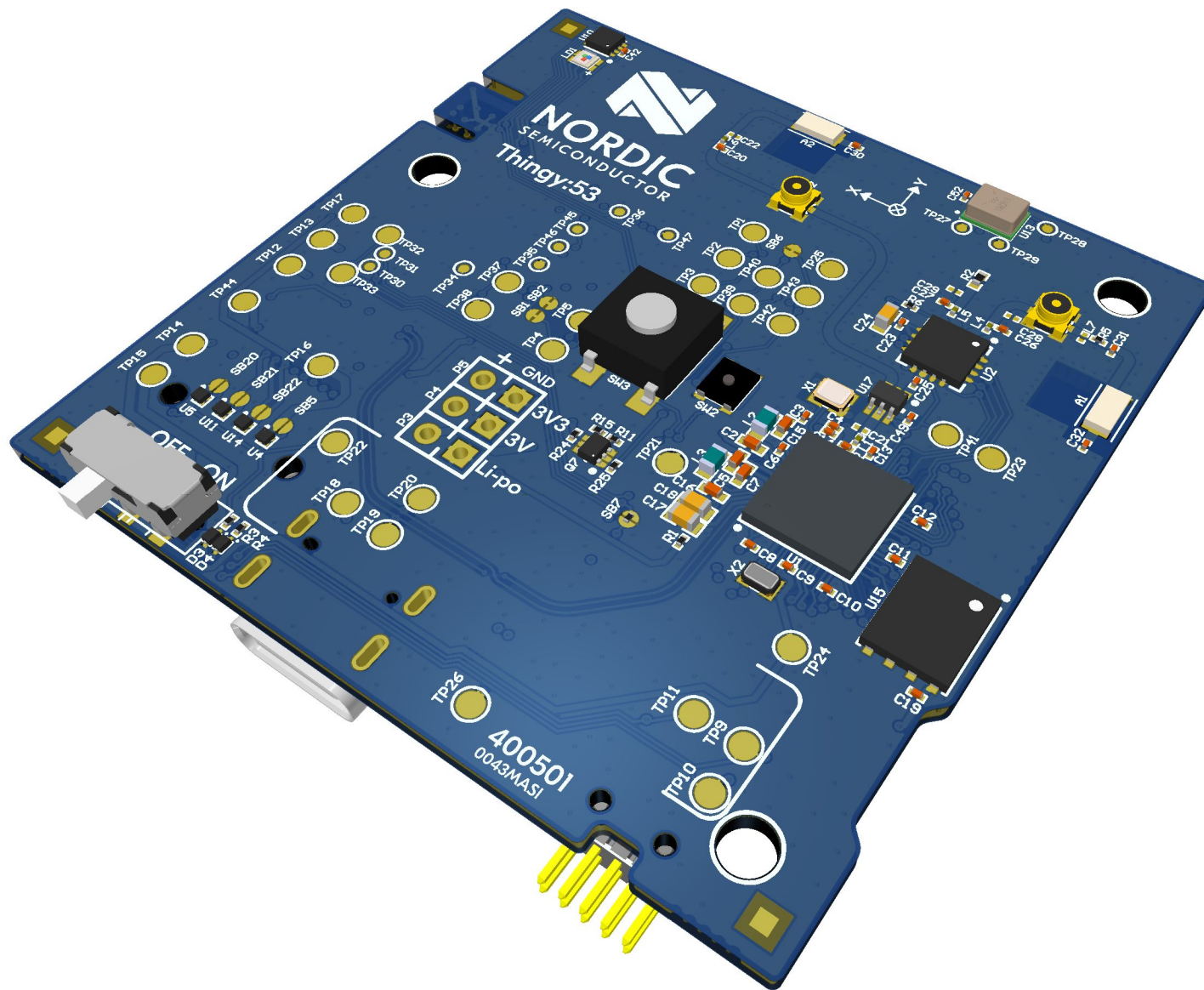
OFF ON







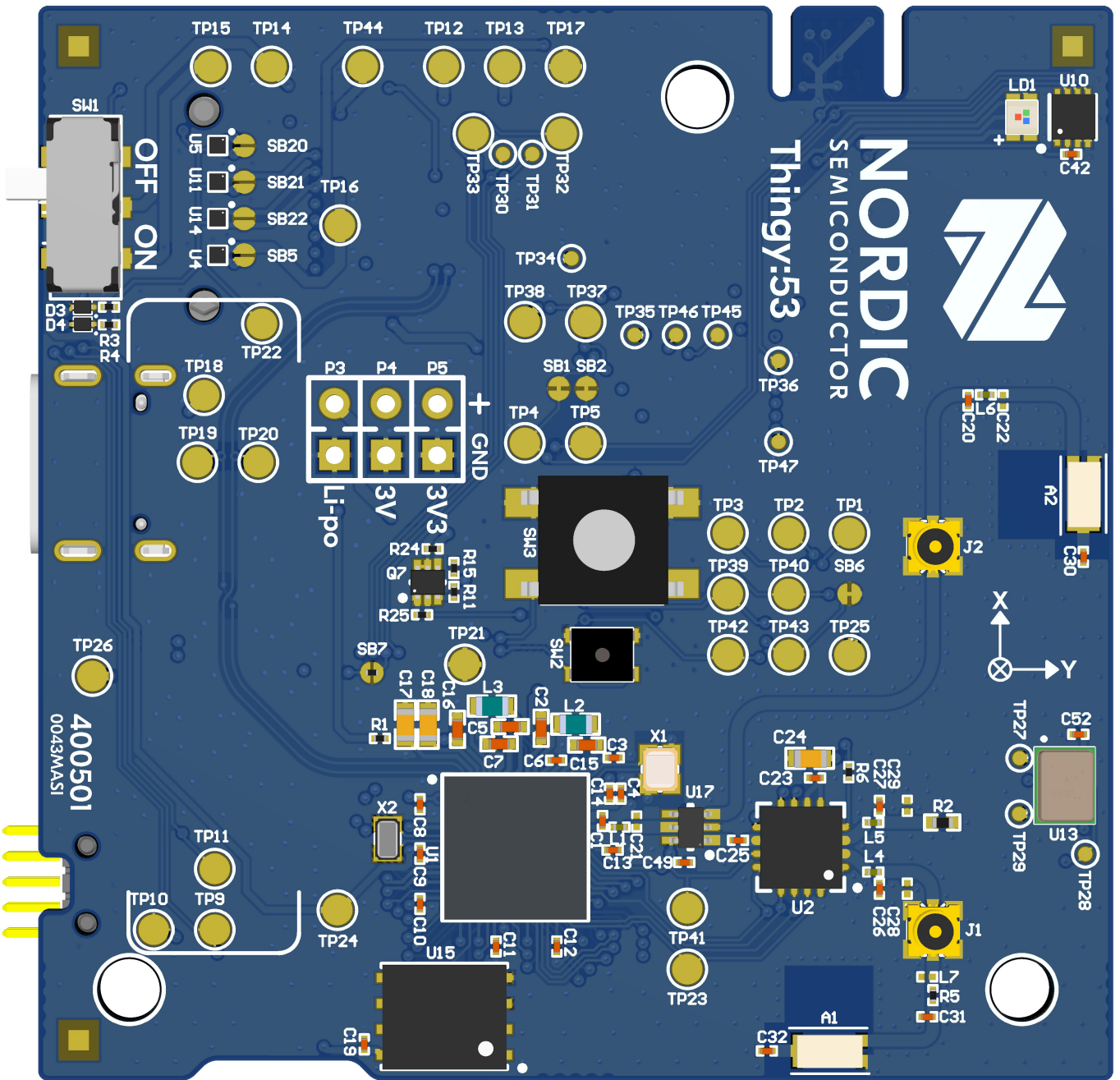






NORDIC
SEMICONDUCTOR

Thingy:53



TP15 TP14 TP44 TP12 TP13 TP17

SH1

OFF ON

TP15 TP14 TP44 TP12 TP13 TP17

SB20 SB21 SB22 SB5

P3 P4 P5
+ GND
Li-po
3V
3V3

TP26
400501
0043MASI

TP11 TP9 TP10

TP12 TP13 TP17

TP32 TP31 TP30 TP33

TP34 TP38 TP37 TP35 TP46 TP45 TP4

TP3 TP2 TP1 TP39 TP40 TP42 TP43 TP25

TP21 TP20 TP19 TP18 TP22

TP41 TP23 TP4

LD1 U10 C42

C22 C20

A2 C30

X Y

C52 TP27 TP29 TP28

J1 L7 R5 C31

A1 C32

U15 C13

U1 C12 C11

U17 C1 C2 C3 C4 C5 C6 C7 C8 C9 C10 C13 C15 C16 C17 C18 C19 C20 C21 C22 C23 C24 C25 C26 C27 C28 C29 C30 C31 C32 C33 C34 C35 C36 C37 C38 C39 C40 C41 C42 C43 C44 C45 C46 C47 C48 C49

R1 R2 R3 R4 R5 R6 R7 R8 R9 R10 R11 R12 R13 R14 R15 R16 R17 R18 R19 R20 R21 R22 R23 R24 R25

L1 L2 L3

SM1 SM2 SM3

J1 J2

U1 U2 U3 U4 U5 U6 U7 U8 U9 U10 U11 U12 U13 U14 U15 U16 U17 U18 U19 U20

C1 C2 C3 C4 C5 C6 C7 C8 C9 C10 C11 C12 C13 C14 C15 C16 C17 C18 C19 C20 C21 C22 C23 C24 C25 C26 C27 C28 C29 C30 C31 C32 C33 C34 C35 C36 C37 C38 C39 C40 C41 C42 C43 C44 C45 C46 C47 C48 C49

R1 R2 R3 R4 R5 R6 R7 R8 R9 R10 R11 R12 R13 R14 R15 R16 R17 R18 R19 R20 R21 R22 R23 R24 R25

L1 L2 L3

SM1 SM2 SM3

J1 J2

U1 U2 U3 U4 U5 U6 U7 U8 U9 U10 U11 U12 U13 U14 U15 U16 U17 U18 U19 U20

