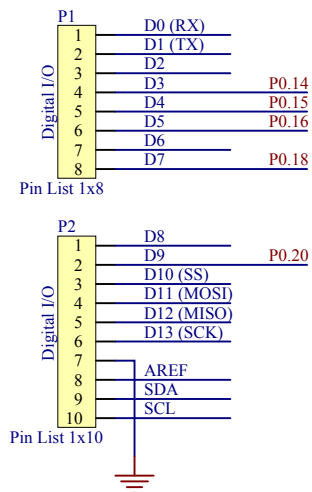
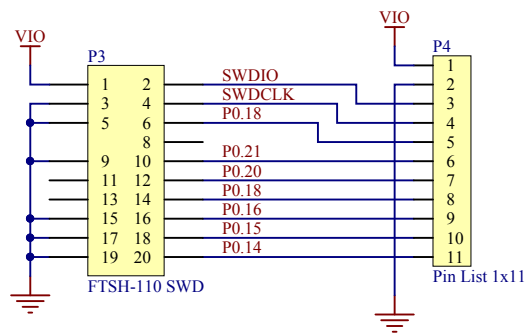


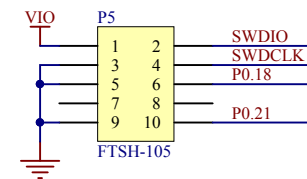
nRF52-DK Arduino Interface  
Bottom Connectors



J-Link 19-pin Cortex-M Adapter Connector



Debug IN Connector



Title <b>ETM shield for nRF52-DK</b>		Revision <b>0.1.0</b>	
Size <b>A4</b>	Project Number <b>4397</b>	Sheet 1 of 1	
Date: 9/25/2015		Drawn By: KJP	
File: pca64111.SchDoc			

