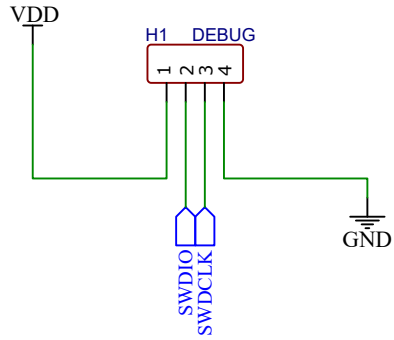
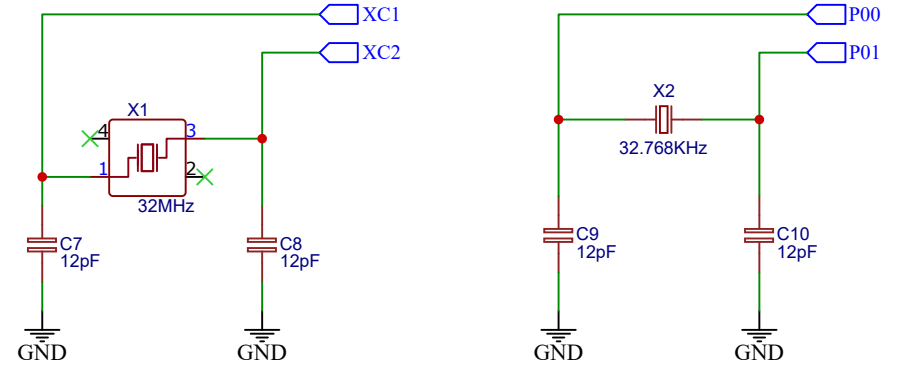


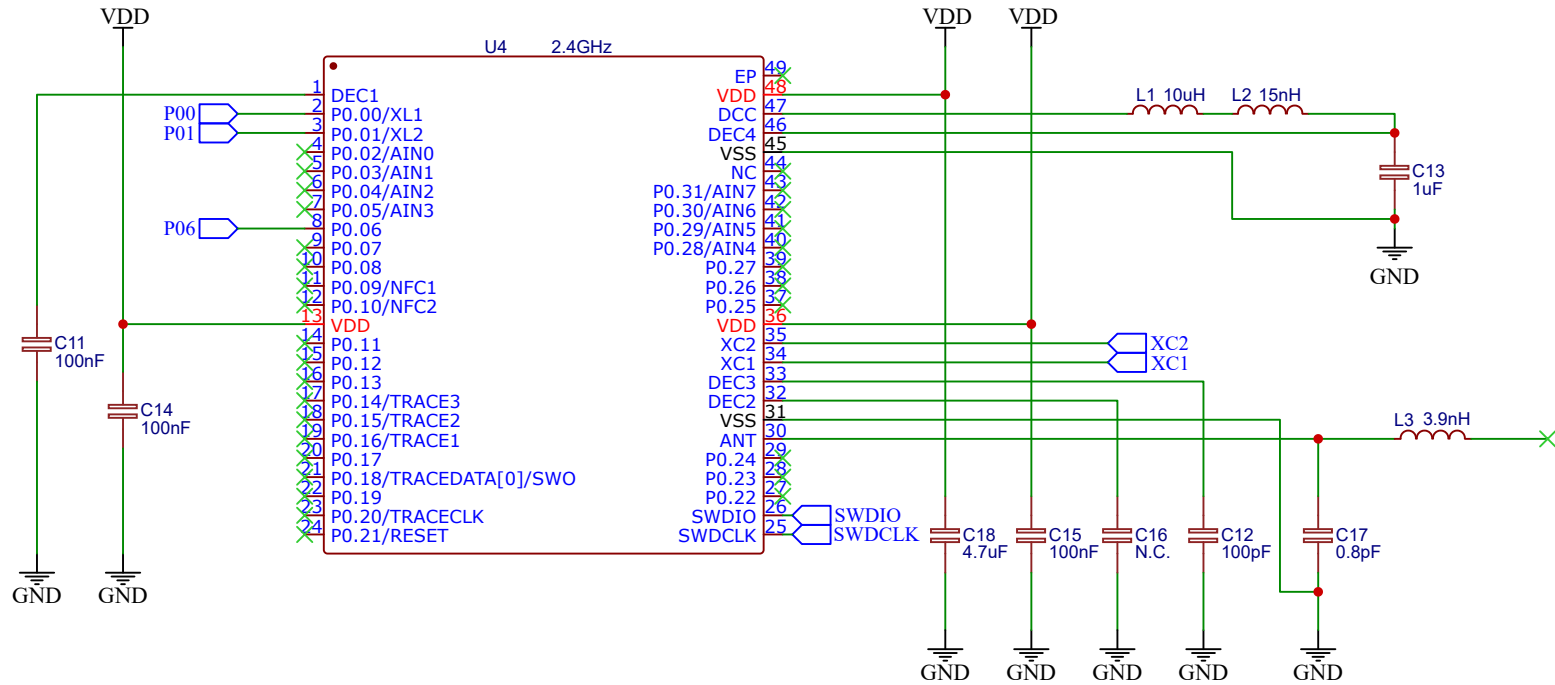
DEBUG Connector



Crystals



NRF52832



TITLE: Controller		REV: 1.0
	Company: LN Medical	Sheet: 1/2
	Date: 2023-03-01	Drawn By: L.J. Bouman