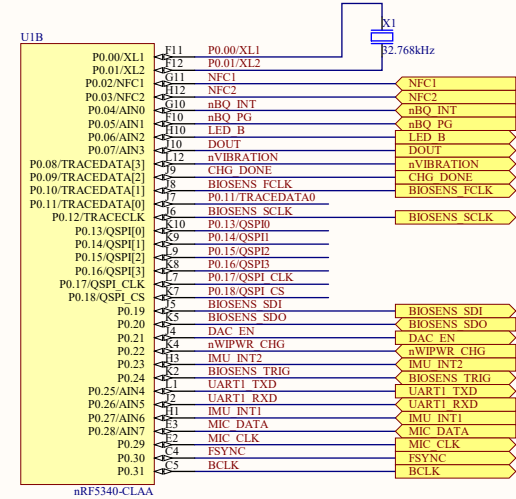
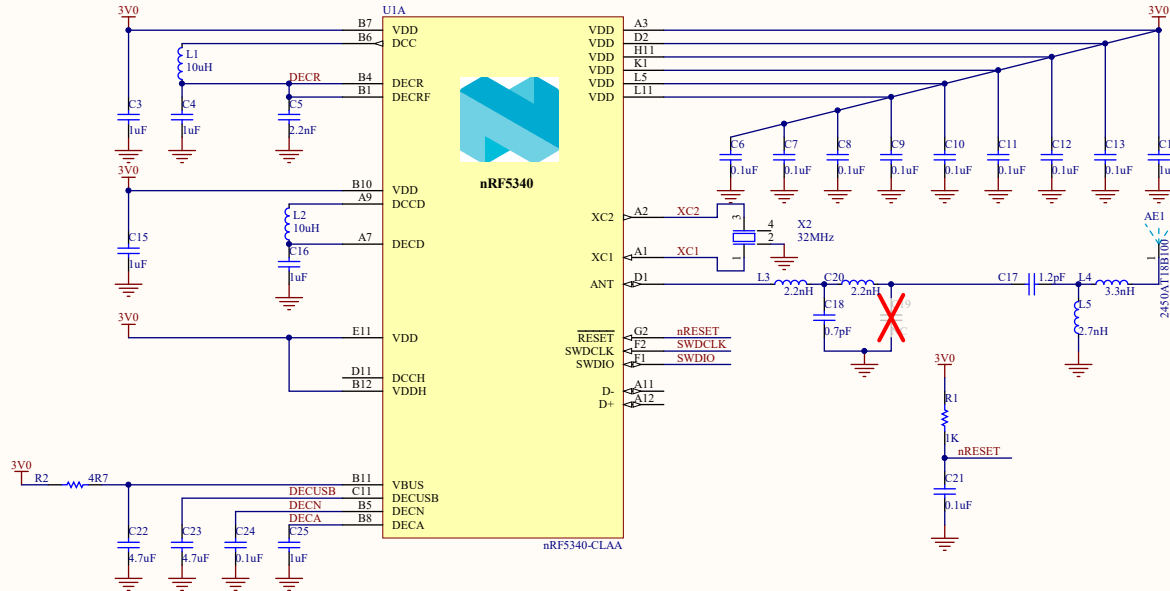
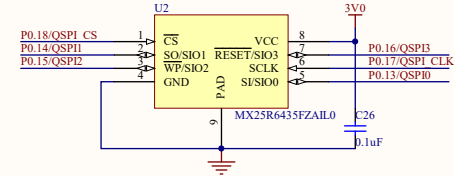


NRF5340

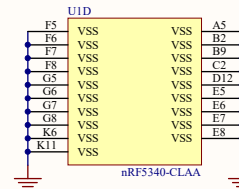
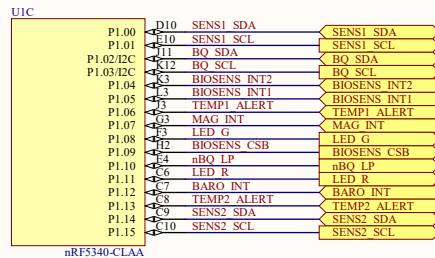
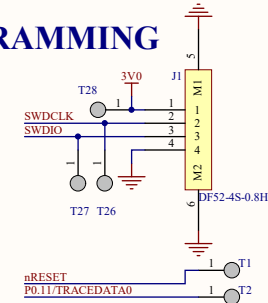


Config no.	Supply configuration		Enabled features				
	VDDH	VDD	EXTSUPPLY	DCDC on VREGH	DCDC on VREGMAIN and VREGRADIO	USB	NFC
Config. 2	N/A	Battery/Ext. regulator	No	No	Yes	Yes	Yes

FLASH



PROGRAMMING



Revision 3

SIZE	ELEC	SUB TITLE			
A3	Kirti Patil	05 MCU NRF5340.SchDoc			
DATE	18-08-2024	ASSY. NO.	PATCH3	FAB. NO.	PATCH3
		SHEET	5	OF	6