

# nRF52840

## Product Specification

v1.8

# Feature list

## Features:

- **Bluetooth<sup>®</sup> 5**, IEEE 802.15.4-2006, 2.4 GHz transceiver
  - -95 dBm sensitivity in 1 Mbps **Bluetooth<sup>®</sup>** low energy mode
  - -103 dBm sensitivity in 125 kbps **Bluetooth<sup>®</sup>** low energy mode (long range)
  - -20 to +8 dBm TX power, configurable in 4 dB steps
  - On-air compatible with nRF52, nRF51, nRF24L, and nRF24AP Series
  - Supported data rates:
    - **Bluetooth<sup>®</sup> 5** – 2 Mbps, 1 Mbps, 500 kbps, and 125 kbps
    - IEEE 802.15.4-2006 – 250 kbps
    - Proprietary 2.4 GHz – 2 Mbps, 1 Mbps
  - Single-ended antenna output (on-chip balun)
  - 128-bit AES/ECB/CCM/AAR co-processor (on-the-fly packet encryption)
  - 4.8 mA peak current in TX (0 dBm)
  - 4.6 mA peak current in RX
  - RSSI (1 dB resolution)
- **ARM<sup>®</sup> Cortex<sup>®</sup>-M4 32-bit processor with FPU, 64 MHz**
  - 212 EEMBC CoreMark<sup>®</sup> score running from flash memory
  - 52  $\mu$ A/MHz running CoreMark from flash memory
  - Watchpoint and trace debug modules (DWT, ETM, and ITM)
  - Serial wire debug (SWD)
- Rich set of security features
  - ARM<sup>®</sup> TrustZone<sup>®</sup> Cryptocell 310 security subsystem
    - NIST SP800-90A and SP800-90B compliant random number generator
    - AES-128 – ECB, CBC, CMAC/CBC-MAC, CTR, CCM/CCM\*
    - Chacha20/Poly1305 AEAD supporting 128- and 256-bit key size
    - SHA-1, SHA-2 up to 256 bits
    - Keyed-hash message authentication code (HMAC)
    - RSA up to 2048-bit key size
    - SRP up to 3072-bit key size
    - ECC support for most used curves, including P-256 (secp256r1) and Ed25519/Curve25519
    - Application key management using derived key model
  - Secure boot ready
    - Flash access control list (ACL)
    - Root-of-trust (RoT)
    - Debug control and configuration
    - Access port protection (CTRL-AP)
  - Secure erase
- Flexible power management
  - 1.7 V to 5.5 V supply voltage range
  - On-chip DC/DC and LDO regulators with automated low current modes
  - 1.8 V to 3.3 V regulated supply for external components
  - Automated peripheral power management
  - Fast wake-up using 64 MHz internal oscillator
  - 0.4  $\mu$ A at 3 V in System OFF mode, no RAM retention
  - 1.5  $\mu$ A at 3 V in System ON mode, no RAM retention, wake on RTC
  - 1 MB flash and 256 kB RAM
  - Advanced on-chip interfaces
    - USB 2.0 full speed (12 Mbps) controller
    - QSPI 32 MHz interface
    - High-speed 32 MHz SPI
    - Type 2 near field communication (NFC-A) tag with wake-on field
      - Touch-to-pair support
    - Programmable peripheral interconnect (PPI)
    - **48 general purpose I/O pins**
    - EasyDMA automated data transfer between memory and peripherals
  - Nordic SoftDevice ready with support for concurrent multiprotocol
  - **12-bit, 200 kspcs ADC – 8 configurable channels with programmable gain**
  - 64 level comparator
  - 15 level low-power comparator with wake-up from System OFF mode
  - Temperature sensor
  - **4x four channel pulse width modulator (PWM) unit with EasyDMA**
  - Audio peripherals – I<sup>2</sup>S, digital microphone interface (PDM)
  - 5x 32-bit timer with counter mode
  - **Up to 4x SPI master/3x SPI slave with EasyDMA**
  - Up to 2x I<sup>2</sup>C compatible two-wire master/slave
  - 2x UART (CTS/RTS) with EasyDMA
  - Quadrature decoder (QDEC)
  - 3x real-time counter (RTC)
  - Single crystal operation
  - Package variants
    - aQFN<sup>™</sup> 73 package, 7 x 7 mm
    - QFN48 package, 6 x 6 mm
    - WLCSP package, 3.544 x 3.607 mm

**Applications:**

- Advanced computer peripherals and I/O devices
  - Mouse
  - Keyboard
  - Multi-touch trackpad
- Advanced wearables
  - Health/fitness sensor and monitor devices
  - Wireless payment enabled devices
- Internet of things (IoT)
  - Smart home sensors and controllers
  - Industrial IoT sensors and controllers
- Interactive entertainment devices
  - Remote controls
  - Gaming controllers

# Contents

|  |           |
|--|-----------|
| Feature list . . . . .   | ii        |
| <b>1 Revision history . . . . .</b>  | <b>12</b> |
| <b>2 About this document . . . . .</b>                                     | <b>15</b> |
| 2.1 Document status . . . . .  | 15        |
| 2.2 Peripheral chapters . . . . .  | 15        |
| 2.3 Register tables . . . . .  | 15        |
| 2.3.1 Fields and values . . . . .  | 16        |
| 2.3.2 Permissions . . . . .  | 16        |
| 2.4 Registers . . . . .  | 16        |
| 2.4.1 DUMMY . . . . .  | 16        |
| <b>3 Block diagram . . . . .</b>   | <b>18</b> |
| <b>4 Core components . . . . .</b>   | <b>19</b> |
| 4.1 CPU . . . . .  | 19        |
| 4.1.1 Floating point interrupt . . . . .                                   | 19        |
| 4.1.2 CPU and support module configuration . . . . .                       | 19        |
| 4.1.3 Electrical specification . . . . .                                   | 20        |
| 4.2 Memory . . . . .   | 20        |
| 4.2.1 RAM - Random access memory . . . . .                                 | 21        |
| 4.2.2 Flash - Non-volatile memory . . . . .                                | 21        |
| 4.2.3 Memory map . . . . .   | 21        |
| 4.2.4 Instantiation . . . . .  | 23        |
| 4.3 NVMC — Non-volatile memory controller . . . . .                        | 24        |
| 4.3.1 Writing to flash . . . . .   | 24        |
| 4.3.2 Erasing a page in flash . . . . .                                    | 25        |
| 4.3.3 Writing to user information configuration registers (UICR) . . . . . | 25        |
| 4.3.4 Erasing user information configuration registers (UICR) . . . . .    | 25        |
| 4.3.5 Erase all . . . . .  | 25        |
| 4.3.6 Access port protection behavior . . . . .                            | 25        |
| 4.3.7 Partial erase of a page in flash . . . . .                           | 25        |
| 4.3.8 Cache . . . . .  | 26        |
| 4.3.9 Registers . . . . .  | 26        |
| 4.3.10 Electrical specification . . . . .                                  | 30        |
| 4.4 FICR — Factory information configuration registers . . . . .           | 31        |
| 4.4.1 Registers . . . . .  | 31        |
| 4.5 UICR — User information configuration registers . . . . .              | 43        |
| 4.5.1 Registers . . . . .  | 43        |
| 4.6 EasyDMA . . . . .  | 47        |
| 4.6.1 EasyDMA error handling . . . . .                                     | 48        |
| 4.6.2 EasyDMA array list . . . . .   | 49        |
| 4.7 AHB multilayer . . . . .   | 49        |
| 4.8 Debug and trace . . . . .  | 50        |
| 4.8.1 DAP - Debug access port . . . . .                                    | 51        |
| 4.8.2 Access port protection . . . . .                                     | 51        |
| 4.8.3 CTRL-AP - Control access port . . . . .                              | 54        |
| 4.8.4 Debug Interface mode . . . . .                                       | 56        |
| 4.8.5 Real-time debug . . . . .  | 56        |



|  |            |
|--|------------|
| 4.8.6 Trace . . . . .  | 56         |
| <b>5 Power and clock management. . . . .</b>                         | <b>58</b>  |
| 5.1 Power management unit (PMU) . . . . .                            | 58         |
| 5.2 Current consumption . . . . .                                    | 58         |
| 5.2.1 Electrical specification . . . . .                             | 59         |
| 5.3 POWER — Power supply . . . . .                                   | 64         |
| 5.3.1 Main supply . . . . .  | 64         |
| 5.3.2 USB supply . . . . .   | 69         |
| 5.3.3 System OFF mode . . . . .                                      | 70         |
| 5.3.4 System ON mode . . . . .                                       | 71         |
| 5.3.5 RAM power control . . . . .                                    | 71         |
| 5.3.6 Reset . . . . .  | 72         |
| 5.3.7 Registers . . . . .  | 73         |
| 5.3.8 Electrical specification . . . . .                             | 83         |
| 5.4 CLOCK — Clock control . . . . .                                  | 85         |
| 5.4.1 HFCLK controller . . . . .                                     | 86         |
| 5.4.2 LFCLK controller . . . . .                                     | 88         |
| 5.4.3 Registers . . . . .  | 90         |
| 5.4.4 Electrical specification . . . . .                             | 99         |
| <b>6 Peripherals. . . . .</b>  | <b>102</b> |
| 6.1 Peripheral interface . . . . .                                   | 102        |
| 6.1.1 Peripheral ID . . . . .  | 102        |
| 6.1.2 Peripherals with shared ID . . . . .                           | 103        |
| 6.1.3 Peripheral registers . . . . .                                 | 103        |
| 6.1.4 Bit set and clear . . . . .                                    | 103        |
| 6.1.5 Tasks . . . . .  | 103        |
| 6.1.6 Events . . . . .   | 103        |
| 6.1.7 Shortcuts . . . . .  | 104        |
| 6.1.8 Interrupts . . . . .   | 104        |
| 6.2 AAR — Accelerated address resolver . . . . .                     | 105        |
| 6.2.1 EasyDMA . . . . .  | 105        |
| 6.2.2 Resolving a resolvable address . . . . .                       | 105        |
| 6.2.3 Example . . . . .  | 106        |
| 6.2.4 IRK data structure . . . . .                                   | 106        |
| 6.2.5 Registers . . . . .  | 106        |
| 6.2.6 Electrical specification . . . . .                             | 110        |
| 6.3 ACL — Access control lists . . . . .                             | 110        |
| 6.3.1 Registers . . . . .  | 112        |
| 6.4 CCM — AES CCM mode encryption . . . . .                          | 114        |
| 6.4.1 Keystream generation . . . . .                                 | 114        |
| 6.4.2 Encryption . . . . .   | 115        |
| 6.4.3 Decryption . . . . .   | 115        |
| 6.4.4 AES CCM and RADIO concurrent operation . . . . .               | 116        |
| 6.4.5 Encrypting packets on-the-fly in radio transmit mode . . . . . | 116        |
| 6.4.6 Decrypting packets on-the-fly in RADIO receive mode . . . . .  | 117        |
| 6.4.7 CCM data structure . . . . .                                   | 118        |
| 6.4.8 EasyDMA and ERROR event . . . . .                              | 119        |
| 6.4.9 Registers . . . . .  | 120        |
| 6.4.10 Electrical specification . . . . .                            | 126        |
| 6.5 COMP — Comparator . . . . .                                      | 126        |
| 6.5.1 Differential mode . . . . .                                    | 128        |

|   |     |
|---|-----|
| 6.5.2 Single-ended mode . . . . .                           | 129 |
| 6.5.3 Registers . . . . .                                   | 131 |
| 6.5.4 Electrical specification . . . . .                    | 137 |
| 6.6 CRYPTOCELL — ARM TrustZone CryptoCell 310 . . . . .     | 138 |
| 6.6.1 Usage . . . . .                                       | 139 |
| 6.6.2 Always-on (AO) power domain . . . . .                 | 139 |
| 6.6.3 Lifecycle state (LCS) . . . . .                       | 139 |
| 6.6.4 Cryptographic key selection . . . . .                 | 140 |
| 6.6.5 Direct memory access (DMA) . . . . .                  | 140 |
| 6.6.6 Standards . . . . .                                   | 141 |
| 6.6.7 Registers . . . . .                                   | 141 |
| 6.6.8 Host interface . . . . .                              | 142 |
| 6.7 ECB — AES electronic codebook mode encryption . . . . . | 145 |
| 6.7.1 Shared resources . . . . .                            | 145 |
| 6.7.2 EasyDMA . . . . .                                     | 145 |
| 6.7.3 ECB data structure . . . . .                          | 145 |
| 6.7.4 Registers . . . . .                                   | 146 |
| 6.7.5 Electrical specification . . . . .                    | 148 |
| 6.8 EGU — Event generator unit . . . . .                    | 149 |
| 6.8.1 Registers . . . . .                                   | 149 |
| 6.8.2 Electrical specification . . . . .                    | 151 |
| 6.9 GPIO — General purpose input/output . . . . .           | 151 |
| 6.9.1 Pin configuration . . . . .                           | 152 |
| 6.9.2 Registers . . . . .                                   | 154 |
| 6.9.3 Electrical specification . . . . .                    | 159 |
| 6.10 GPIOTE — GPIO tasks and events . . . . .               | 160 |
| 6.10.1 Pin events and tasks . . . . .                       | 160 |
| 6.10.2 Port event . . . . .                                 | 161 |
| 6.10.3 Tasks and events pin configuration . . . . .         | 161 |
| 6.10.4 Registers . . . . .                                  | 162 |
| 6.10.5 Electrical specification . . . . .                   | 166 |
| 6.11 I <sup>2</sup> S — Inter-IC sound interface . . . . .  | 166 |
| 6.11.1 Mode . . . . .                                       | 166 |
| 6.11.2 Transmitting and receiving . . . . .                 | 167 |
| 6.11.3 Left right clock (LRCK) . . . . .                    | 167 |
| 6.11.4 Serial clock (SCK) . . . . .                         | 168 |
| 6.11.5 Master clock (MCK) . . . . .                         | 168 |
| 6.11.6 Width, alignment and format . . . . .                | 169 |
| 6.11.7 EasyDMA . . . . .                                    | 170 |
| 6.11.8 Module operation . . . . .                           | 172 |
| 6.11.9 Pin configuration . . . . .                          | 174 |
| 6.11.10 Registers . . . . .                                 | 175 |
| 6.11.11 Electrical specification . . . . .                  | 184 |
| 6.12 LPCOMP — Low-power comparator . . . . .                | 185 |
| 6.12.1 Shared resources . . . . .                           | 186 |
| 6.12.2 Pin configuration . . . . .                          | 186 |
| 6.12.3 Registers . . . . .                                  | 187 |
| 6.12.4 Electrical specification . . . . .                   | 193 |
| 6.13 MWU — Memory watch unit . . . . .                      | 193 |
| 6.13.1 Registers . . . . .                                  | 194 |
| 6.14 NFCT — Near field communication tag . . . . .          | 207 |
| 6.14.1 Overview . . . . .                                   | 208 |
| 6.14.2 Operating states . . . . .                           | 210 |
| 6.14.3 Pin configuration . . . . .                          | 211 |

|   |     |
|---|-----|
| 6.14.4 EasyDMA . . . . .                                  | 211 |
| 6.14.5 Frame assembler . . . . .                          | 212 |
| 6.14.6 Frame disassembler . . . . .                       | 213 |
| 6.14.7 Frame timing controller . . . . .                  | 214 |
| 6.14.8 Collision resolution . . . . .                     | 215 |
| 6.14.9 Antenna interface . . . . .                        | 216 |
| 6.14.10 NFCT antenna recommendations . . . . .            | 216 |
| 6.14.11 Battery protection . . . . .                      | 217 |
| 6.14.12 References . . . . .                              | 217 |
| 6.14.13 Registers . . . . .                               | 217 |
| 6.14.14 Electrical specification . . . . .                | 235 |
| 6.15 PDM — Pulse density modulation interface . . . . .   | 236 |
| 6.15.1 Master clock generator . . . . .                   | 237 |
| 6.15.2 Module operation . . . . .                         | 237 |
| 6.15.3 Decimation filter . . . . .                        | 237 |
| 6.15.4 EasyDMA . . . . .                                  | 238 |
| 6.15.5 Hardware example . . . . .                         | 239 |
| 6.15.6 Pin configuration . . . . .                        | 239 |
| 6.15.7 Registers . . . . .                                | 240 |
| 6.15.8 Electrical specification . . . . .                 | 247 |
| 6.16 PPI — Programmable peripheral interconnect . . . . . | 247 |
| 6.16.1 Pre-programmed channels . . . . .                  | 249 |
| 6.16.2 Registers . . . . .                                | 249 |
| 6.17 PWM — Pulse width modulation . . . . .               | 254 |
| 6.17.1 Wave counter . . . . .                             | 255 |
| 6.17.2 Decoder with EasyDMA . . . . .                     | 258 |
| 6.17.3 Limitations . . . . .                              | 265 |
| 6.17.4 Pin configuration . . . . .                        | 265 |
| 6.17.5 Registers . . . . .                                | 266 |
| 6.18 QDEC — Quadrature decoder . . . . .                  | 274 |
| 6.18.1 Sampling and decoding . . . . .                    | 275 |
| 6.18.2 LED output . . . . .                               | 276 |
| 6.18.3 Debounce filters . . . . .                         | 276 |
| 6.18.4 Accumulators . . . . .                             | 277 |
| 6.18.5 Output/input pins . . . . .                        | 277 |
| 6.18.6 Pin configuration . . . . .                        | 277 |
| 6.18.7 Registers . . . . .                                | 278 |
| 6.18.8 Electrical specification . . . . .                 | 289 |
| 6.19 QSPI — Quad serial peripheral interface . . . . .    | 289 |
| 6.19.1 Configuring peripheral . . . . .                   | 290 |
| 6.19.2 Write operation . . . . .                          | 290 |
| 6.19.3 Read operation . . . . .                           | 291 |
| 6.19.4 Erase operation . . . . .                          | 291 |
| 6.19.5 Execute in place . . . . .                         | 291 |
| 6.19.6 Sending custom instructions . . . . .              | 291 |
| 6.19.7 Deep power-down mode . . . . .                     | 292 |
| 6.19.8 Instruction set . . . . .                          | 293 |
| 6.19.9 Interface description . . . . .                    | 293 |
| 6.19.10 Registers . . . . .                               | 298 |
| 6.19.11 Electrical specification . . . . .                | 310 |
| 6.20 RADIO — 2.4 GHz radio . . . . .                      | 310 |
| 6.20.1 Packet configuration . . . . .                     | 311 |
| 6.20.2 Address configuration . . . . .                    | 312 |
| 6.20.3 Data whitening . . . . .                           | 313 |

|   |     |
|---|-----|
| 6.20.4 CRC . . . . .  | 313 |
| 6.20.5 Radio states . . . . .   | 314 |
| 6.20.6 Transmit sequence . . . . .  | 314 |
| 6.20.7 Receive sequence . . . . .   | 316 |
| 6.20.8 Received signal strength indicator (RSSI) . . . . .                  | 317 |
| 6.20.9 Interframe spacing . . . . .   | 317 |
| 6.20.10 Device address match . . . . .                                      | 318 |
| 6.20.11 Bit counter . . . . .   | 319 |
| 6.20.12 IEEE 802.15.4 operation . . . . .                                   | 319 |
| 6.20.13 EasyDMA . . . . .   | 327 |
| 6.20.14 Registers . . . . .   | 328 |
| 6.20.15 Electrical specification . . . . .                                  | 358 |
| 6.21 RNG — Random number generator . . . . .                                | 363 |
| 6.21.1 Bias correction . . . . .  | 364 |
| 6.21.2 Speed . . . . .  | 364 |
| 6.21.3 Registers . . . . .  | 364 |
| 6.21.4 Electrical specification . . . . .                                   | 367 |
| 6.22 RTC — Real-time counter . . . . .                                      | 367 |
| 6.22.1 Clock source . . . . .   | 367 |
| 6.22.2 Resolution versus overflow and the PRESCALER . . . . .               | 367 |
| 6.22.3 COUNTER register . . . . .   | 368 |
| 6.22.4 Overflow features . . . . .  | 369 |
| 6.22.5 TICK event . . . . .   | 369 |
| 6.22.6 Event control feature . . . . .                                      | 369 |
| 6.22.7 Compare feature . . . . .  | 370 |
| 6.22.8 TASK and EVENT jitter/delay . . . . .                                | 372 |
| 6.22.9 Reading the COUNTER register . . . . .                               | 374 |
| 6.22.10 Registers . . . . .   | 375 |
| 6.22.11 Electrical specification . . . . .                                  | 380 |
| 6.23 SAADC — Successive approximation analog-to-digital converter . . . . . | 380 |
| 6.23.1 Input configuration . . . . .  | 381 |
| 6.23.2 Reference voltage and gain settings . . . . .                        | 383 |
| 6.23.3 Digital output . . . . .   | 383 |
| 6.23.4 EasyDMA . . . . .  | 383 |
| 6.23.5 Continuous sampling . . . . .  | 385 |
| 6.23.6 Oversampling . . . . .   | 385 |
| 6.23.7 Event monitoring using limits . . . . .                              | 385 |
| 6.23.8 Calibration . . . . .  | 386 |
| 6.23.9 Registers . . . . .  | 386 |
| 6.23.10 Electrical specification . . . . .                                  | 401 |
| 6.24 SPI — Serial peripheral interface master . . . . .                     | 402 |
| 6.24.1 Functional description . . . . .                                     | 402 |
| 6.24.2 Registers . . . . .  | 405 |
| 6.24.3 Electrical specification . . . . .                                   | 409 |
| 6.25 SPIM — Serial peripheral interface master with EasyDMA . . . . .       | 410 |
| 6.25.1 SPI master transaction sequence . . . . .                            | 410 |
| 6.25.2 D/CX functionality . . . . .   | 411 |
| 6.25.3 Pin configuration . . . . .  | 412 |
| 6.25.4 EasyDMA . . . . .  | 412 |
| 6.25.5 Low power . . . . .  | 413 |
| 6.25.6 Registers . . . . .  | 413 |
| 6.25.7 Electrical specification . . . . .                                   | 424 |
| 6.26 SPIS — Serial peripheral interface slave with EasyDMA . . . . .        | 425 |
| 6.26.1 Shared resources . . . . .   | 426 |

|  |     |
|--|-----|
| 6.26.2 EasyDMA . . . . .   | 426 |
| 6.26.3 SPI slave operation . . . . .   | 427 |
| 6.26.4 Pin configuration . . . . .   | 429 |
| 6.26.5 Registers . . . . .   | 429 |
| 6.26.6 Electrical specification . . . . .  | 440 |
| 6.27 SWI — Software interrupts . . . . .   | 442 |
| 6.27.1 Registers . . . . .   | 442 |
| 6.28 TEMP — Temperature sensor . . . . .   | 442 |
| 6.28.1 Registers . . . . .   | 443 |
| 6.28.2 Electrical specification . . . . .  | 449 |
| 6.29 TWI — I <sup>2</sup> C compatible two-wire interface . . . . .                      | 449 |
| 6.29.1 Functional description . . . . .  | 449 |
| 6.29.2 Master mode pin configuration . . . . .   | 450 |
| 6.29.3 Shared resources . . . . .  | 450 |
| 6.29.4 Master write sequence . . . . .   | 451 |
| 6.29.5 Master read sequence . . . . .  | 451 |
| 6.29.6 Master repeated start sequence . . . . .  | 452 |
| 6.29.7 Low power . . . . .   | 453 |
| 6.29.8 Registers . . . . .   | 453 |
| 6.29.9 Electrical specification . . . . .  | 461 |
| 6.30 TIMER — Timer/counter . . . . .   | 462 |
| 6.30.1 Capture . . . . .   | 463 |
| 6.30.2 Compare . . . . .   | 463 |
| 6.30.3 Task delays . . . . .   | 463 |
| 6.30.4 Task priority . . . . .   | 463 |
| 6.30.5 Registers . . . . .   | 464 |
| 6.30.6 Electrical specification . . . . .  | 468 |
| 6.31 TWIM — I <sup>2</sup> C compatible two-wire interface master with EasyDMA . . . . . | 468 |
| 6.31.1 EasyDMA . . . . .   | 470 |
| 6.31.2 Master write sequence . . . . .   | 470 |
| 6.31.3 Master read sequence . . . . .  | 471 |
| 6.31.4 Master repeated start sequence . . . . .  | 472 |
| 6.31.5 Low power . . . . .   | 473 |
| 6.31.6 Master mode pin configuration . . . . .   | 473 |
| 6.31.7 Registers . . . . .   | 473 |
| 6.31.8 Electrical specification . . . . .  | 484 |
| 6.31.9 Pullup resistor . . . . .   | 485 |
| 6.32 TWIS — I <sup>2</sup> C compatible two-wire interface slave with EasyDMA . . . . .  | 485 |
| 6.32.1 EasyDMA . . . . .   | 487 |
| 6.32.2 TWI slave responding to a read command . . . . .                                  | 487 |
| 6.32.3 TWI slave responding to a write command . . . . .                                 | 489 |
| 6.32.4 Master repeated start sequence . . . . .  | 490 |
| 6.32.5 Terminating an ongoing TWI transaction . . . . .                                  | 490 |
| 6.32.6 Low power . . . . .   | 491 |
| 6.32.7 Slave mode pin configuration . . . . .  | 491 |
| 6.32.8 Registers . . . . .   | 491 |
| 6.32.9 Electrical specification . . . . .  | 501 |
| 6.33 UART — Universal asynchronous receiver/transmitter . . . . .                        | 502 |
| 6.33.1 Functional description . . . . .  | 502 |
| 6.33.2 Pin configuration . . . . .   | 503 |
| 6.33.3 Shared resources . . . . .  | 503 |
| 6.33.4 Transmission . . . . .  | 503 |
| 6.33.5 Reception . . . . .   | 504 |
| 6.33.6 Suspending the UART . . . . .   | 505 |

|   |            |
|---|------------|
| 6.33.7 Error conditions . . . . .   | 505        |
| 6.33.8 Using the UART without flow control . . . . .                            | 505        |
| 6.33.9 Parity and stop bit configuration . . . . .                              | 505        |
| 6.33.10 Registers . . . . .   | 505        |
| 6.33.11 Electrical specification . . . . .                                      | 514        |
| 6.34 UARTE — Universal asynchronous receiver/transmitter with EasyDMA . . . . . | 514        |
| 6.34.1 EasyDMA . . . . .  | 515        |
| 6.34.2 Transmission . . . . .   | 515        |
| 6.34.3 Reception . . . . .  | 516        |
| 6.34.4 Error conditions . . . . .   | 518        |
| 6.34.5 Using the UARTE without flow control . . . . .                           | 518        |
| 6.34.6 Parity and stop bit configuration . . . . .                              | 518        |
| 6.34.7 Low power . . . . .  | 518        |
| 6.34.8 Pin configuration . . . . .  | 519        |
| 6.34.9 Registers . . . . .  | 519        |
| 6.34.10 Electrical specification . . . . .                                      | 532        |
| 6.35 USB — Universal serial bus device . . . . .                                | 532        |
| 6.35.1 USB device states . . . . .  | 533        |
| 6.35.2 USB terminology . . . . .  | 534        |
| 6.35.3 USB pins . . . . .   | 535        |
| 6.35.4 USB power-up sequence . . . . .  | 535        |
| 6.35.5 USB pull-up . . . . .  | 536        |
| 6.35.6 USB reset . . . . .  | 536        |
| 6.35.7 USB suspend and resume . . . . .   | 537        |
| 6.35.8 EasyDMA . . . . .  | 538        |
| 6.35.9 Control transfers . . . . .  | 539        |
| 6.35.10 Bulk and interrupt transactions . . . . .                               | 542        |
| 6.35.11 Isochronous transactions . . . . .                                      | 544        |
| 6.35.12 USB register access limitations . . . . .                               | 547        |
| 6.35.13 Registers . . . . .   | 547        |
| 6.35.14 Electrical specification . . . . .                                      | 572        |
| 6.36 WDT — Watchdog timer . . . . .   | 572        |
| 6.36.1 Reload criteria . . . . .  | 573        |
| 6.36.2 Temporarily pausing the watchdog . . . . .                               | 573        |
| 6.36.3 Watchdog reset . . . . .   | 573        |
| 6.36.4 Registers . . . . .  | 573        |
| 6.36.5 Electrical specification . . . . .                                       | 576        |
| <b>7 Hardware and layout . . . . .</b>  | <b>577</b> |
| 7.1 Pin assignments . . . . .   | 577        |
| 7.1.1 aQFN73 ball assignments . . . . .   | 577        |
| 7.1.2 QFN48 pin assignments . . . . .   | 580        |
| 7.1.3 WLCSP ball assignments . . . . .  | 582        |
| 7.2 Mechanical specifications . . . . .   | 586        |
| 7.2.1 aQFN73 7 x 7 mm package . . . . .   | 586        |
| 7.2.2 QFN48 6 x 6 mm package . . . . .  | 587        |
| 7.2.3 WLCSP 3.544 x 3.607 mm package . . . . .                                  | 588        |
| 7.3 Reference circuitry . . . . .   | 588        |
| 7.3.1 Circuit configuration no. 1 for QIAA aQFN73 . . . . .                     | 590        |
| 7.3.2 Circuit configuration no. 2 for QIAA aQFN73 . . . . .                     | 592        |
| 7.3.3 Circuit configuration no. 3 for QIAA aQFN73 . . . . .                     | 594        |
| 7.3.4 Circuit configuration no. 4 for QIAA aQFN73 . . . . .                     | 596        |
| 7.3.5 Circuit configuration no. 5 for QIAA aQFN73 . . . . .                     | 598        |
| 7.3.6 Circuit configuration no. 6 for QIAA aQFN73 . . . . .                     | 600        |

|           |   |            |
|-----------|---|------------|
| 7.3.7     | Circuit configuration no. 7 for QIAA aQFN73 . . . . . | 602        |
| 7.3.8     | Circuit configuration no. 1 for QFAA QFN48 . . . . .  | 604        |
| 7.3.9     | Circuit configuration no. 1 for CKAA WLCSP . . . . .  | 606        |
| 7.3.10    | Circuit configuration no. 2 for CKAA WLCSP . . . . .  | 608        |
| 7.3.11    | Circuit configuration no. 3 for CKAA WLCSP . . . . .  | 610        |
| 7.3.12    | Circuit configuration no. 4 for CKAA WLCSP . . . . .  | 612        |
| 7.3.13    | Circuit configuration no. 5 for CKAA WLCSP . . . . .  | 614        |
| 7.3.14    | Circuit configuration no. 6 for CKAA WLCSP . . . . .  | 616        |
| 7.3.15    | PCB guidelines . . . . .                              | 618        |
| 7.3.16    | PCB layout example . . . . .                          | 619        |
| 7.3.17    | PMIC support . . . . .                                | 620        |
| 7.4       | Package thermal characteristics . . . . .             | 621        |
| 7.5       | Package Variation . . . . .                           | 621        |
| 7.5.1     | QFN48 . . . . .                                       | 621        |
| <b>8</b>  | <b>Recommended operating conditions . . . . .</b>     | <b>622</b> |
| 8.1       | WLCSP light sensitivity . . . . .                     | 622        |
| <b>9</b>  | <b>Absolute maximum ratings . . . . .</b>             | <b>623</b> |
| <b>10</b> | <b>Ordering information . . . . .</b>                 | <b>625</b> |
| 10.1      | Device marking . . . . .                              | 625        |
| 10.2      | Box labels . . . . .                                  | 625        |
| 10.3      | Order code . . . . .                                  | 626        |
| 10.4      | Code ranges and values . . . . .                      | 627        |
| 10.5      | Product options . . . . .                             | 628        |
| <b>11</b> | <b>Legal notices . . . . .</b>                        | <b>630</b> |

# 1 Revision history

| Date           | Version | Description  |
|----------------|---------|--|
| December 2023  | 1.8     | The following content has been added or updated: <ul style="list-style-type: none"> <li>• <a href="#">Reference circuitry</a> on page 588 - Added PMIC support section.</li> </ul>   |
| November 2021  | 1.7     | The following content has been added or updated: <ul style="list-style-type: none"> <li>• <a href="#">Absolute maximum ratings</a> on page 623 - Updated aQFN73 ESD CDM maximum value according to <a href="#">PCN162</a></li> </ul>   |
| November 2021  | 1.6     | The following content has been added or updated: <ul style="list-style-type: none"> <li>• <a href="#">Ordering information</a> on page 625 - Build codes Dxx not recommended for new designs</li> <li>• Editorial changes</li> </ul>   |
| September 2021 | 1.5     | The following content has been added or updated: <ul style="list-style-type: none"> <li>• <a href="#">Mechanical specifications</a> on page 586 - Updated aQFN73 mechanical specification according to <a href="#">PCN148</a></li> </ul>   |
| June 2021      | 1.4     | The following content has been added or updated: <ul style="list-style-type: none"> <li>• Added information for the QFN48 package variant in <ul style="list-style-type: none"> <li>• <a href="#">Absolute maximum ratings</a> on page 623</li> <li>• <a href="#">FICR — Factory information configuration registers</a> on page 31</li> <li>• <a href="#">Ordering information</a> on page 625</li> <li>• <a href="#">Package Variation</a> on page 621</li> <li>• <a href="#">Reference circuitry</a> on page 588</li> <li>• <a href="#">Mechanical specifications</a> on page 586</li> <li>• <a href="#">Pin assignments</a> on page 577</li> <li>• <a href="#">POWER — Power supply</a> on page 64</li> </ul> </li> <li>• <a href="#">Package thermal characteristics</a> on page 621 - Added QFN48 and WL CSP thermal resistance and updated aQFN73 with JEDEC PCB numbers</li> </ul> |
| April 2021     | 1.3     | The following content has been added or updated: <ul style="list-style-type: none"> <li>• <a href="#">UICR — User information configuration registers</a> on page 43 - Added value HwDisabled to APPROTECT register.</li> <li>• <a href="#">Debug and trace</a> on page 50 - Added description of APPROTECT functionality for devices where APPROTECT is controlled by hardware and software. Added peripheral APPROTECT with necessary registers to control APPROTECT for devices where APPROTECT is controlled by hardware and software.</li> <li>• <a href="#">GPIO — General purpose input/output</a> on page 151 - Added missing NFC parameters <math>C_{PAD\_NFC}</math> and <math>I_{NFC\_LEAK}</math>.</li> </ul>  |



| Date         | Version | Description   |
|--------------|---------|---|
|              |         | <ul style="list-style-type: none"> <li>• <a href="#">Pin assignments</a> on page 577 - Added note that DEC5 is not connected for aQFN™ 73, and WLCSP build codes Fxx and later.</li> <li>• <a href="#">Mechanical specifications</a> on page 586 - Corrected min/max values of WLCSP D and E dimensions.</li> <li>• <a href="#">Reference circuitry</a> on page 588 - Updated aQFN™ 73 and WLCSP reference circuitry with note on DEC5.</li> <li>• <a href="#">Ordering information</a> on page 625 - Updated box labels. Added new product options.</li> </ul>   |
| January 2021 | 1.2     | <p>The following content has been added or updated:</p> <ul style="list-style-type: none"> <li>• Updated minimum valid value for EasyDMA MAXCNT and AMOUNT registers in <a href="#">SPIM</a>, <a href="#">SPIS</a>, <a href="#">TWIM</a>, <a href="#">TWIS</a>, and <a href="#">UARTE</a>.</li> <li>• <a href="#">FICR</a> - Added nRF52820 value to INFO.PART register. Added size of packages to package description. Updated INFO.VARIANT device variants. Removed reset value for register TRNG90B.STARTUP and all TEMP module calibration registers.</li> <li>• <a href="#">UICR</a> - Updated reference to the VEXTDIF parameter in the REGOUT0 register.</li> <li>• <a href="#">NVMC</a> - Updated reset value of register READYNEXT. Updated registers ERASEPAGE, ERASEALL, ERASEUICR, ERASEPARTIAL, IHIT, and IMISS.</li> <li>• <a href="#">POWER</a> - Added Wake from System OFF reset source for the WDT. Added parameter <math>R_{SOURCE,VBUSVDDH}</math>. Renamed parameters to clarify REG0 in the Electrical Specification. Updated value of parameter <math>R_{SOURCE,VBUS}</math> to 6 <math>\Omega</math>.</li> <li>• <a href="#">CLOCK</a> - Added parameter <math>V_{AMP,IN,XO,LOW}</math>.</li> <li>• <a href="#">Current consumption</a> - Added USB current measurements. Updated values in Electrical Specification - Sleep.</li> <li>• <a href="#">ACL</a> - Added clarification for the maximum protected region size being limited to half the flash.</li> <li>• <a href="#">LPCOMP</a> - Added clarification about not disabling LPCOMP in the same write as COMP is enabled.</li> <li>• <a href="#">QSPI</a> - Added clarification about XIP region being read only.</li> <li>• <a href="#">RADIO</a> - Added EVENTS_SYNC.</li> <li>• <a href="#">SPIS</a> - Updated parameter <math>t_{SPIS,HCSN}</math>.</li> <li>• <a href="#">SPIM</a> - Updated parameter <math>t_{SPIM,CSK}</math>.</li> <li>• <a href="#">TWIM</a> - Updated <math>t_{TWIM,HD\_STA}</math> parameter. Clarified use of SUSPEND and RESUME tasks.</li> <li>• <a href="#">USB</a> - Updated the ENABLE register functionality description. Moved current measurements from the electrical specification section to <a href="#">CURRENT</a>.</li> <li>• <a href="#">Mechanical specifications</a> on page 586 - Added tolerances for D and E dimensions for WLCSP and aQFN73 packages.</li> <li>• <a href="#">Reference circuitry</a> on page 588 - Corrected links. Corrected tables in WLCSP package Configurations 1 to 6. Added a new reference design with 4 component RF-match for the QIAA aQFN™ 73 package. Updated recommended value for USB serial resistor.</li> <li>• <a href="#">Package thermal characteristics</a> on page 621 - Added aQFN73 thermal resistance.</li> </ul> |

| Date          | Version | Description  |
|---------------|---------|--|
|               |         | <ul style="list-style-type: none"> <li>• <a href="#">Ordering information</a> on page 625 - Corrected WLCSP ball count.</li> <li>• <a href="#">Absolute maximum ratings</a> on page 623 - Added footnote on HTOL supply. Increased Flash memory retention to 10 years at 85 °C.</li> <li>• <a href="#">Recommended operating conditions</a> on page 622 - Added parameter T<sub>J</sub> and WLCSP package light sensitivity section.</li> <li>• Editorial changes.</li> </ul>  |
| February 2019 | 1.1     | <p>The following content has been added or updated:</p> <ul style="list-style-type: none"> <li>• Added information for the WLCSP package variant in <a href="#">Pin assignments</a> on page 577, <a href="#">Mechanical specifications</a> on page 586, <a href="#">Reference circuitry</a> on page 588, <a href="#">FICR</a>, <a href="#">Absolute maximum ratings</a> on page 623, and <a href="#">Ordering information</a> on page 625.</li> <li>• <a href="#">Reference circuitry</a> on page 588 - Updated RF-Match in aQFN™ 73 reference circuitry for all configurations. Added optional 4.7 Ω resistor to USB supply.</li> <li>• <a href="#">UICR</a> - Removed NRFFW[13] and NRFFW[14] registers.</li> <li>• <a href="#">CPU</a> on page 19 - Corrected value of parameter CM<sub>FLASH/MA</sub>.</li> <li>• <a href="#">POWER</a> - Clarified range of voltages in both Normal and High voltage modes.</li> <li>• <a href="#">CLOCK</a> - Corrected value of parameter P<sub>D_LFXO</sub> to a less restrictive value.</li> <li>• <a href="#">EasyDMA</a> on page 47 - Added section about EasyDMA error handling. Corrected example code in section EasyDMA array list.</li> <li>• <a href="#">NVMC</a> - Added note about the necessity to halt the CPU before issuing NVMC commands from the debugger.</li> <li>• <a href="#">ACL</a> - Corrected register access to ReadWriteOnce (RWO) for some registers.</li> <li>• <a href="#">I<sub>2</sub>S</a> - Removed invalid values from register MCKFREQ, see parameter f<sub>MCK</sub>. Fixed figure for Memory mapping for 8-bit stereo.</li> <li>• <a href="#">SAADC</a> - Corrected description of functionality of SAMPLE task.</li> <li>• <a href="#">SPIS</a> - Exposed the LIST register. Corrected SPI modes table.</li> <li>• <a href="#">TWIS</a> - Exposed the LIST register.</li> <li>• <a href="#">UART</a> - Added STOP bit configuration description.</li> <li>• <a href="#">RADIO</a> - Added equations to convert from HW RSSI to 802.15.4 range and dBm. Clarified RSSI timing. Clarified that TX ramp up time is affected by RU field in MODECNF0. Added IEEE 802.15.4 radio timing parameters to the electrical specifications. Added sensitivity parameter for 2 Mbit NRF mode.</li> <li>• <a href="#">USB</a> - Pointed that isochronous transfers have to be finished before the next SOF event, or the result of the transfer is undefined.</li> <li>• <a href="#">Legal notices</a> on page 630 - Updated text and image.</li> </ul> |
| March 2018    | 1.0     | First release  |

# 2 About this document

This document is organized into chapters that are based on the modules and peripherals available in the IC.

## 2.1 Document status

The document status reflects the level of maturity of the document.

| Document name                         | Description  |
|---------------------------------------|--|
| Objective Product Specification (OPS) | Applies to document versions up to 1.0.<br>This document contains target specifications for product development.   |
| Product Specification (PS)            | Applies to document versions 1.0 and higher.<br>This document contains final product specifications. Nordic Semiconductor ASA reserves the right to make changes at any time without notice in order to improve design and supply the best possible product. |

Table 1: Defined document names

## 2.2 Peripheral chapters

Every peripheral has a unique capitalized name or an abbreviation of its name, e.g. TIMER, used for identification and reference. This name is used in chapter headings and references, and it will appear in the ARM<sup>®</sup> Cortex<sup>®</sup> Microcontroller Software Interface Standard (CMSIS) hardware abstraction layer to identify the peripheral.

The peripheral instance name, which is different from the peripheral name, is constructed using the peripheral name followed by a numbered postfix, starting with 0, for example, TIMER0. A postfix is normally only used if a peripheral can be instantiated more than once. The peripheral instance name is also used in the CMSIS to identify the peripheral instance.

The chapters describing peripherals may include the following information:

- A detailed functional description of the peripheral
- Register configuration for the peripheral
- Electrical specification tables, containing performance data which apply for the operating conditions described in [Recommended operating conditions](#) on page 622.

## 2.3 Register tables

Individual registers are described using register tables. These tables are built up of two sections. The first three colored rows describe the position and size of the different fields in the register. The following rows describe the fields in more detail.

### 2.3.1 Fields and values

The **Id (Field Id)** row specifies the bits that belong to the different fields in the register. If a field has enumerated values, then every value will be identified with a unique value id in the **Value Id** column.

A blank space means that the field is reserved and read as undefined, and it also must be written as 0 to secure forward compatibility. If a register is divided into more than one field, a unique field name is specified for each field in the **Field** column. The **Value Id** may be omitted in the single-bit bit fields when values can be substituted with a Boolean type enumerator range, e.g. true/false, disable(d)/enable(d), on/off, and so on.

Values are usually provided as decimal or hexadecimal. Hexadecimal values have a 0x prefix, decimal values have no prefix.

The **Value** column can be populated in the following ways:

- Individual enumerated values, for example 1, 3, 9.
- Range of values, e.g. [0..4], indicating all values from and including 0 and 4.
- Implicit values. If no values are indicated in the **Value** column, all bit combinations are supported, or alternatively the field's translation and limitations are described in the text instead.

If two or more fields are closely related, the **Value Id**, **Value**, and **Description** may be omitted for all but the first field. Subsequent fields will indicate inheritance with '..!'.  
 ..!

A feature marked **Deprecated** should not be used for new designs.

### 2.3.2 Permissions

Different fields in a register might have different access permissions enforced by hardware.

The access permission for each register field is documented in the **Access** column in the following ways:

| Access | Description     | Hardware behavior  |
|--------|-----------------|--|
| RO     | Read-only       | Field can only be read. A write will be ignored.   |
| WO     | Write-only      | Field can only be written. A read will return an undefined value.  |
| RW     | Read-write      | Field can be read and written multiple times.  |
| W1     | Write-once      | Field can only be written once per reset. Any subsequent write will be ignored. A read will return an undefined value. |
| RW1    | Read-write-once | Field can be read multiple times, but only written once per reset. Any subsequent write will be ignored.               |

Table 2: Register field permission schemes

## 2.4 Registers

| Register | Offset | Description                                       |
|----------|--------|---|
| DUMMY    | 0x514  | Example of a register controlling a dummy feature |

Table 3: Register overview

### 2.4.1 DUMMY

Address offset: 0x514

Example of a register controlling a dummy feature

| Bit number       |      | 31 30 29 28 27 26 25 24 23 22 21 20 19 18 17 16 15 14 13 12 11 10 9 8 7 6 5 4 3 2 1 0 |              |        |  |       |  |  |   |  |  |  |     |  |  |  |  |  |  |  |  |  |  |  |  |  |  |  |  |  |  |  |  |
|------------------|------|---|--------------|--------|--|-------|--|--|---|--|--|--|-----|--|--|--|--|--|--|--|--|--|--|--|--|--|--|--|--|--|--|--|--|
| ID               |      | D D D D   |              |        |  | C C C |  |  | B |  |  |  | A A |  |  |  |  |  |  |  |  |  |  |  |  |  |  |  |  |  |  |  |  |
| Reset 0x00050002 |      | 0 0 0 0 0 0 0 0 0 0 0 0 0 0 1 0 1 0 0 0 0 0 0 0 0 0 0 0 0 0 0 0 0 0 0 0 1 0           |              |        |  |       |  |  |   |  |  |  |     |  |  |  |  |  |  |  |  |  |  |  |  |  |  |  |  |  |  |  |  |
| ID               | Acce | Field   | Value ID     | Value  | Description  |       |  |  |   |  |  |  |     |  |  |  |  |  |  |  |  |  |  |  |  |  |  |  |  |  |  |  |  |
| A                | RW   | FIELD_A   |              |        | Example of a read-write field with several enumerated values                           |       |  |  |   |  |  |  |     |  |  |  |  |  |  |  |  |  |  |  |  |  |  |  |  |  |  |  |  |
|                  |      |   | Disabled     | 0      | The example feature is disabled  |       |  |  |   |  |  |  |     |  |  |  |  |  |  |  |  |  |  |  |  |  |  |  |  |  |  |  |  |
|                  |      |   | NormalMode   | 1      | The example feature is enabled in normal mode  |       |  |  |   |  |  |  |     |  |  |  |  |  |  |  |  |  |  |  |  |  |  |  |  |  |  |  |  |
|                  |      |   | ExtendedMode | 2      | The example feature is enabled along with extra functionality                          |       |  |  |   |  |  |  |     |  |  |  |  |  |  |  |  |  |  |  |  |  |  |  |  |  |  |  |  |
| B                | RW   | FIELD_B   |              |        | Example of a deprecated read-write field <span style="float: right;">Deprecated</span> |       |  |  |   |  |  |  |     |  |  |  |  |  |  |  |  |  |  |  |  |  |  |  |  |  |  |  |  |
|                  |      |   | Disabled     | 0      | The override feature is disabled   |       |  |  |   |  |  |  |     |  |  |  |  |  |  |  |  |  |  |  |  |  |  |  |  |  |  |  |  |
|                  |      |   | Enabled      | 1      | The override feature is enabled  |       |  |  |   |  |  |  |     |  |  |  |  |  |  |  |  |  |  |  |  |  |  |  |  |  |  |  |  |
| C                | RW   | FIELD_C   |              |        | Example of a read-write field with a valid range of values                             |       |  |  |   |  |  |  |     |  |  |  |  |  |  |  |  |  |  |  |  |  |  |  |  |  |  |  |  |
|                  |      |   | ValidRange   | [2..7] | Example of allowed values for this field   |       |  |  |   |  |  |  |     |  |  |  |  |  |  |  |  |  |  |  |  |  |  |  |  |  |  |  |  |
| D                | RW   | FIELD_D   |              |        | Example of a read-write field with no restriction on the values                        |       |  |  |   |  |  |  |     |  |  |  |  |  |  |  |  |  |  |  |  |  |  |  |  |  |  |  |  |

# 3 Block diagram

This block diagram illustrates the overall system. Arrows with white heads indicate signals that share physical pins with other signals.

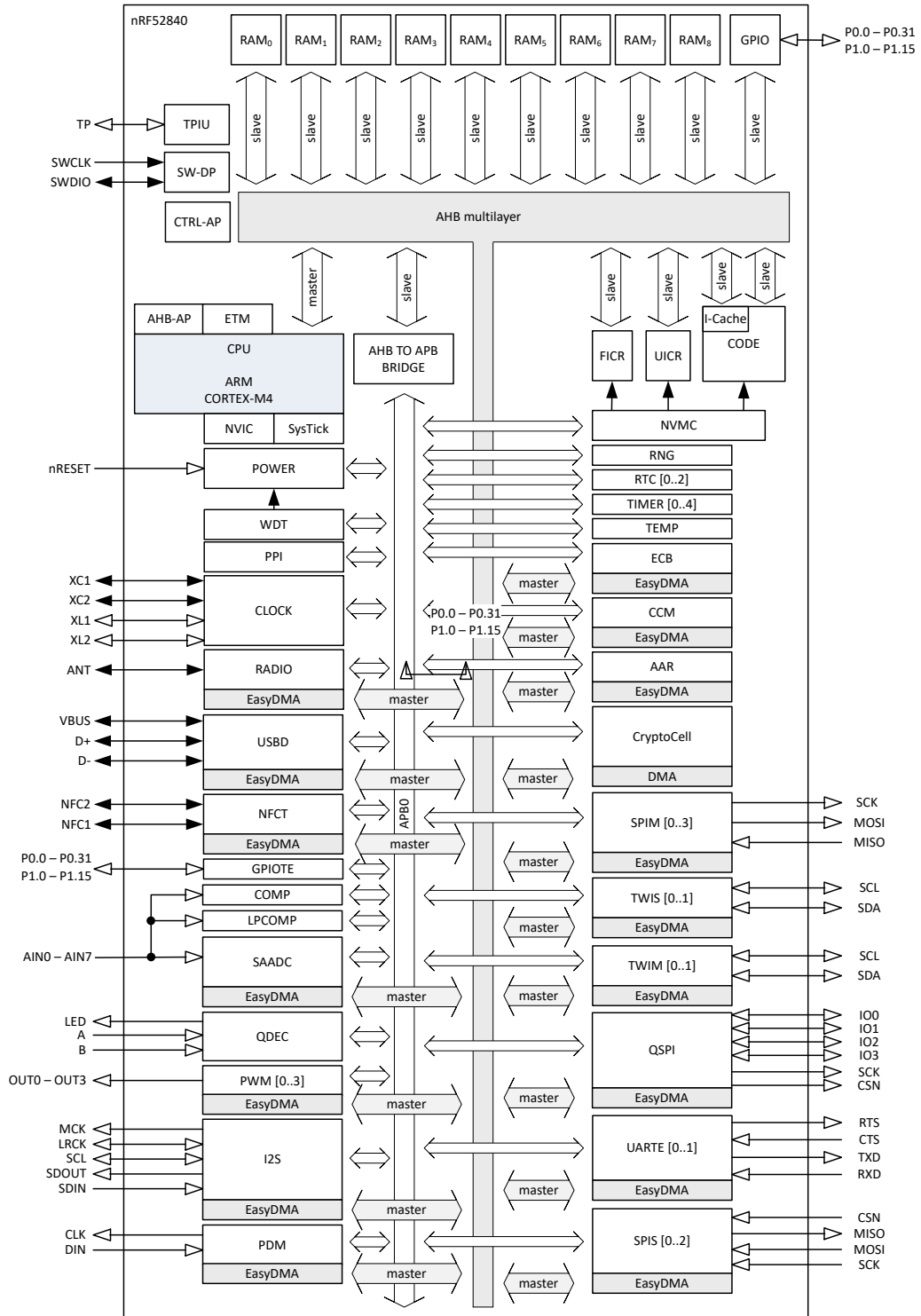


Figure 1: Block diagram

# 4 Core components

## 4.1 CPU

The ARM<sup>®</sup> Cortex-M4 processor with floating-point unit (FPU) has a 32-bit instruction set (Thumb<sup>®</sup>-2 technology) that implements a superset of 16- and 32-bit instructions to maximize code density and performance.

This processor implements the following features that enable energy-efficient arithmetic and high-performance signal processing.

- Digital signal processing (DSP) instructions
- Single-cycle multiply and accumulate (MAC) instructions
- Hardware divide
- 8- and 16-bit single instruction multiple data (SIMD) instructions
- Single-precision floating-point unit (FPU)

The ARM<sup>®</sup> Cortex<sup>®</sup> Microcontroller Software Interface Standard (CMSIS) hardware abstraction layer for the ARM<sup>®</sup> Cortex<sup>®</sup> processor series is implemented and available for the M4 CPU.

Real-time execution is highly deterministic in thread mode, to and from sleep modes, and when handling events at configurable priority levels via the nested vectored interrupt controller (NVIC).

Executing code from flash memory will have a wait state penalty on the nRF52 Series. An instruction cache can be enabled to minimize flash wait states when fetching instructions. For more information on cache, see [Cache](#) on page 26. The [Electrical specification](#) on page 20 shows CPU performance parameters including wait states in different modes, CPU current and efficiency, and processing power and efficiency based on the CoreMark<sup>®</sup> benchmark.

The ARM system timer (SysTick) is present on nRF52840. The SysTick's clock will only tick when the CPU is running or when the system is in debug interface mode.

### 4.1.1 Floating point interrupt

The floating point unit (FPU) may generate exceptions when used due to e.g. overflow or underflow, which in turn will trigger the FPU interrupt.

See [Instantiation](#) on page 23 for more information about the exceptions triggering the FPU interrupt.

To clear the IRQ (interrupt request) line when an exception has occurred, the relevant exception bit within the floating-point status and control register (FPSCR) needs to be cleared. For more information about the FPSCR or other FPU registers, see *Cortex-M4 Devices Generic User Guide*.

### 4.1.2 CPU and support module configuration

The ARM<sup>®</sup> Cortex<sup>®</sup>-M4 processor has a number of CPU options and support modules implemented on the IC.

| Option / Module | Description                        | Implemented   |
|-----------------|------------------------------------|---------------|
| Core options    |                                    |               |
| NVIC            | Nested vector interrupt controller | 48 vectors    |
| PRIORITIES      | Priority bits                      | 3             |
| WIC             | Wakeup interrupt controller        | NO            |
| Endianness      | Memory system endianness           | Little endian |
| Bit-banding     | Bit banded memory                  | NO            |
| DWT             | Data watchpoint and trace          | YES           |
| SysTick         | System tick timer                  | YES           |
| Modules         |                                    |               |
| MPU             | Memory protection unit             | YES           |
| FPU             | Floating-point unit                | YES           |
| DAP             | Debug access port                  | YES           |
| ETM             | Embedded trace macrocell           | YES           |
| ITM             | Instrumentation trace macrocell    | YES           |
| TPIU            | Trace port interface unit          | YES           |
| ETB             | Embedded trace buffer              | NO            |
| FPB             | Flash patch and breakpoint unit    | YES           |
| HTM             | AMBA™ AHB trace macrocell          | NO            |

## 4.1.3 Electrical specification

### 4.1.3.1 CPU performance

The CPU clock speed is 64 MHz. Current and efficiency data is taken when in System ON and the CPU is executing the CoreMark® benchmark. It includes power regulator and clock base currents. All other blocks are IDLE.

| Symbol                  | Description  | Min. | Typ. | Max. | Units                   |
|-------------------------|--|------|------|------|-------------------------|
| W <sub>FLASH</sub>      | CPU wait states, running CoreMark from flash, cache disabled         |      |      | 2    |                         |
| W <sub>FLASHCACHE</sub> | CPU wait states, running CoreMark from flash, cache enabled          |      |      | 3    |                         |
| W <sub>RAM</sub>        | CPU wait states, running CoreMark from RAM                           |      |      | 0    |                         |
| CM <sub>FLASH</sub>     | CoreMark, running CoreMark from flash, cache enabled                 |      | 212  |      | Core <sup>l</sup>       |
| CM <sub>FLASH/MHz</sub> | CoreMark per MHz, running CoreMark from flash, cache enabled         |      | 3.3  |      | CoreMark/<br>MHz        |
| CM <sub>FLASH/mA</sub>  | CoreMark per mA, running CoreMark from flash, cache enabled, DCDC 3V |      | 64   |      | Core <sup>l</sup><br>mA |

## 4.2 Memory

The nRF52840 contains 1024 kB of flash memory and 256 kB of RAM that can be used for code and data storage.

The CPU and peripherals with EasyDMA can access memory via the AHB multilayer interconnect. In addition, peripherals are accessed by the CPU via the AHB multilayer interconnect, as shown in the following figure.



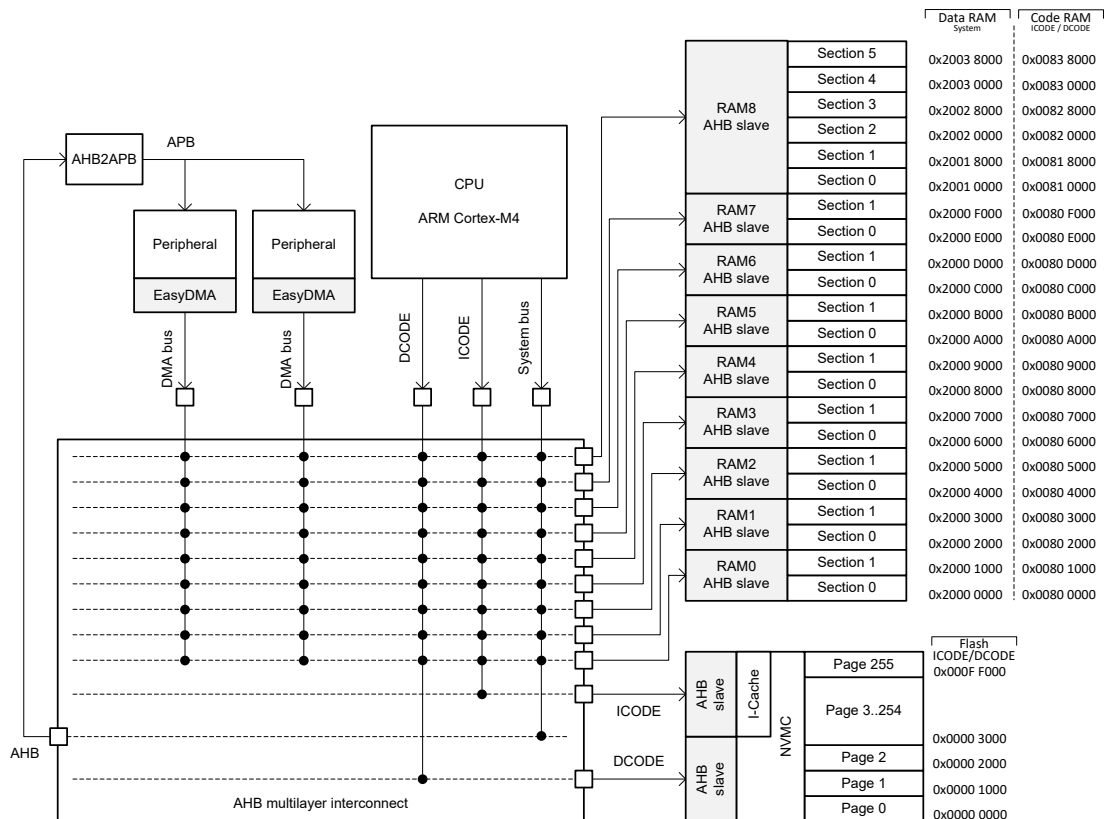


Figure 2: Memory layout

See [AHB multilayer](#) on page 49 and [EasyDMA](#) on page 47 for more information about the AHB multilayer interconnect and EasyDMA.

The same physical RAM is mapped to both the Data RAM region and the Code RAM region. It is up to the application to partition the RAM within these regions so that one does not corrupt the other.

### 4.2.1 RAM - Random access memory

The RAM interface is divided into nine RAM AHB slaves.

RAM AHB slaves 0 to 7 are connected to two 4 kB RAM sections each, while RAM AHB slave 8 is connected to six 32 kB sections, as shown in [Memory layout](#) on page 21.

Each RAM section has separate power control for System ON and System OFF mode operation, which is configured via RAM register (see the [POWER — Power supply](#) on page 64).

### 4.2.2 Flash - Non-volatile memory

The CPU can read from flash memory an unlimited number of times, but is restricted in how it writes to flash and the number of writes and erases it can perform.

Writing to flash memory is managed by the non-volatile memory controller (NVMC), see [NVMC — Non-volatile memory controller](#) on page 24.

Flash memory is divided into 256 pages of 4 kB each that can be accessed by the CPU via the ICODE and DCODE buses as shown in [Memory layout](#) on page 21.

### 4.2.3 Memory map

The complete memory map for the nRF52840 is shown in the following figure. As described in [Memory](#) on page 20, Code RAM and Data RAM are the same physical RAM.

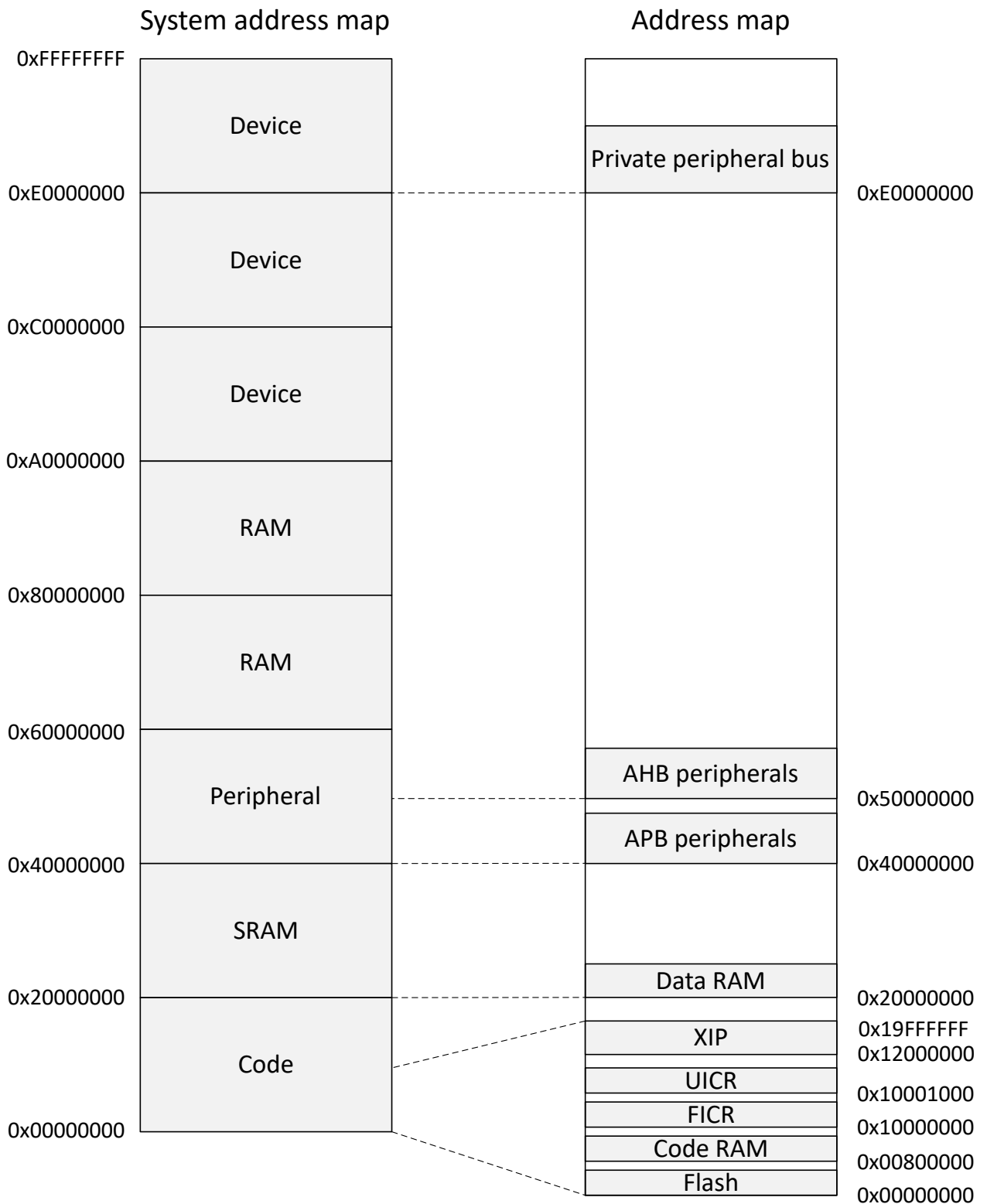


Figure 3: Memory map

## 4.2.4 Instantiation

| ID | Base address | Peripheral | Instance  | Description  |            |
|----|--------------|------------|-----------|--|------------|
| 0  | 0x40000000   | APPROTECT  | APPROTECT | APPROTECT control  |            |
| 0  | 0x40000000   | CLOCK      | CLOCK     | Clock control  |            |
| 0  | 0x40000000   | POWER      | POWER     | Power control  |            |
| 0  | 0x50000000   | GPIO       | GPIO      | General purpose input and output                                 | Deprecated |
| 0  | 0x50000000   | GPIO       | P0        | General purpose input and output, port 0                         |            |
| 0  | 0x50000300   | GPIO       | P1        | General purpose input and output, port 1                         |            |
| 1  | 0x40001000   | RADIO      | RADIO     | 2.4 GHz radio  |            |
| 2  | 0x40002000   | UART       | UART0     | Universal asynchronous receiver/transmitter                      | Deprecated |
| 2  | 0x40002000   | UARTE      | UARTE0    | Universal asynchronous receiver/transmitter with EasyDMA, unit 0 |            |
| 3  | 0x40003000   | SPI        | SPI0      | SPI master 0   | Deprecated |
| 3  | 0x40003000   | SPIM       | SPIM0     | SPI master 0   |            |
| 3  | 0x40003000   | SPIS       | SPIS0     | SPI slave 0  |            |
| 3  | 0x40003000   | TWI        | TWI0      | Two-wire interface master 0                                      | Deprecated |
| 3  | 0x40003000   | TWIM       | TWIM0     | Two-wire interface master 0                                      |            |
| 3  | 0x40003000   | TWIS       | TWIS0     | Two-wire interface slave 0                                       |            |
| 4  | 0x40004000   | SPI        | SPI1      | SPI master 1   | Deprecated |
| 4  | 0x40004000   | SPIM       | SPIM1     | SPI master 1   |            |
| 4  | 0x40004000   | SPIS       | SPIS1     | SPI slave 1  |            |
| 4  | 0x40004000   | TWI        | TWI1      | Two-wire interface master 1                                      | Deprecated |
| 4  | 0x40004000   | TWIM       | TWIM1     | Two-wire interface master 1                                      |            |
| 4  | 0x40004000   | TWIS       | TWIS1     | Two-wire interface slave 1                                       |            |
| 5  | 0x40005000   | NFCT       | NFCT      | Near field communication tag                                     |            |
| 6  | 0x40006000   | GPIOE      | GPIOE     | GPIO tasks and events  |            |
| 7  | 0x40007000   | SAADC      | SAADC     | Analog to digital converter                                      |            |
| 8  | 0x40008000   | TIMER      | TIMER0    | Timer 0  |            |
| 9  | 0x40009000   | TIMER      | TIMER1    | Timer 1  |            |
| 10 | 0x4000A000   | TIMER      | TIMER2    | Timer 2  |            |
| 11 | 0x4000B000   | RTC        | RTC0      | Real-time counter 0  |            |
| 12 | 0x4000C000   | TEMP       | TEMP      | Temperature sensor   |            |
| 13 | 0x4000D000   | RNG        | RNG       | Random number generator  |            |
| 14 | 0x4000E000   | ECB        | ECB       | AES electronic code book (ECB) mode block encryption             |            |
| 15 | 0x4000F000   | CCM        | CCM       | AES counter with CBC-MAC (CCM) mode block encryption             |            |
| 15 | 0x4000F000   | AAR        | AAR       | Accelerated address resolver                                     |            |
| 16 | 0x40010000   | WDT        | WDT       | Watchdog timer   |            |
| 17 | 0x40011000   | RTC        | RTC1      | Real-time counter 1  |            |
| 18 | 0x40012000   | QDEC       | QDEC      | Quadrature decoder   |            |
| 19 | 0x40013000   | COMP       | COMP      | General purpose comparator                                       |            |
| 19 | 0x40013000   | LPCOMP     | LPCOMP    | Low power comparator   |            |
| 20 | 0x40014000   | EGU        | EGU0      | Event generator unit 0   |            |
| 20 | 0x40014000   | SWI        | SWI0      | Software interrupt 0   |            |
| 21 | 0x40015000   | EGU        | EGU1      | Event generator unit 1   |            |
| 21 | 0x40015000   | SWI        | SWI1      | Software interrupt 1   |            |
| 22 | 0x40016000   | EGU        | EGU2      | Event generator unit 2   |            |
| 22 | 0x40016000   | SWI        | SWI2      | Software interrupt 2   |            |
| 23 | 0x40017000   | EGU        | EGU3      | Event generator unit 3   |            |
| 23 | 0x40017000   | SWI        | SWI3      | Software interrupt 3   |            |
| 24 | 0x40018000   | EGU        | EGU4      | Event generator unit 4   |            |
| 24 | 0x40018000   | SWI        | SWI4      | Software interrupt 4   |            |
| 25 | 0x40019000   | EGU        | EGU5      | Event generator unit 5   |            |

| ID  | Base address | Peripheral  | Instance    | Description  |            |
|-----|--------------|-------------|-------------|--|------------|
| 25  | 0x40019000   | SWI         | SWI5        | Software interrupt 5   |            |
| 26  | 0x4001A000   | TIMER       | TIMER3      | Timer 3  |            |
| 27  | 0x4001B000   | TIMER       | TIMER4      | Timer 4  |            |
| 28  | 0x4001C000   | PWM         | PWM0        | Pulse width modulation unit 0                                    |            |
| 29  | 0x4001D000   | PDM         | PDM         | Pulse Density modulation (digital microphone) interface          |            |
| 30  | 0x4001E000   | ACL         | ACL         | Access control lists   |            |
| 30  | 0x4001E000   | NVMC        | NVMC        | Non-volatile memory controller                                   |            |
| 31  | 0x4001F000   | PPI         | PPI         | Programmable peripheral interconnect                             |            |
| 32  | 0x40020000   | MWU         | MWU         | Memory watch unit  |            |
| 33  | 0x40021000   | PWM         | PWM1        | Pulse width modulation unit 1                                    |            |
| 34  | 0x40022000   | PWM         | PWM2        | Pulse width modulation unit 2                                    |            |
| 35  | 0x40023000   | SPI         | SPI2        | SPI master 2   | Deprecated |
| 35  | 0x40023000   | SPIM        | SPIM2       | SPI master 2   |            |
| 35  | 0x40023000   | SPIS        | SPIS2       | SPI slave 2  |            |
| 36  | 0x40024000   | RTC         | RTC2        | Real-time counter 2  |            |
| 37  | 0x40025000   | I2S         | I2S         | Inter-IC sound interface   |            |
| 38  | 0x40026000   | FPU         | FPU         | FPU interrupt  |            |
| 39  | 0x40027000   | USBD        | USBD        | Universal serial bus device                                      |            |
| 40  | 0x40028000   | UARTE       | UARTE1      | Universal asynchronous receiver/transmitter with EasyDMA, unit 1 |            |
| 41  | 0x40029000   | QSPI        | QSPI        | External memory interface  |            |
| 42  | 0x5002A000   | CC_HOST_RGF | CC_HOST_RGF | Host platform interface  |            |
| 42  | 0x5002A000   | CRYPTOCELL  | CRYPTOCELL  | CryptoCell subsystem control interface                           |            |
| 45  | 0x4002D000   | PWM         | PWM3        | Pulse width modulation unit 3                                    |            |
| 47  | 0x4002F000   | SPIM        | SPIM3       | SPI master 3   |            |
| N/A | 0x10000000   | FICR        | FICR        | Factory information configuration                                |            |
| N/A | 0x10001000   | UICR        | UICR        | User information configuration                                   |            |

Table 4: Instantiation table

## 4.3 NVMC — Non-volatile memory controller

The non-volatile memory controller (NVMC) is used for writing and erasing of the internal flash memory and the UICR (user information configuration registers).

The [CONFIG](#) on page 27 is used to enable the NVMC for writing (CONFIG.WEN = Wen) and erasing (CONFIG.WEN = Een).

The CPU must be halted before initiating a NVMC operation from the debug system.

### 4.3.1 Writing to flash

When write is enabled, full 32-bit words can be written to word-aligned addresses in flash memory.

As illustrated in [Memory](#) on page 20, the flash is divided into multiple pages. The same 32-bit word in flash memory can only be written  $n_{WRITE}$  number of times before a page erase must be performed.

The NVMC is only able to write 0 to bits in flash memory that are erased (set to 1). It cannot rewrite a bit back to 1. Only full 32-bit words can be written to flash memory using the NVMC interface. To write less than 32 bits, write the data as a full 32-bit word and set all the bits that should remain unchanged in the word to 1. The restriction on the number of writes ( $n_{WRITE}$ ) still applies in this case.

Only word-aligned writes are allowed. Byte or half-word-aligned writes will result in a hard fault.

The time it takes to write a word to flash is specified by  $t_{WRITE}$ . The CPU is halted if the CPU executes code from the flash while the NVMC is writing to the flash.

NVM writing time can be reduced by using `READYNEXT`. If this status bit is set to 1, code can perform the next data write to the flash. This write will be buffered and will be taken into account as soon as the ongoing write operation is completed.

### 4.3.2 Erasing a page in flash

When erase is enabled, the flash memory can be erased page by page using the `ERASEPAGE` on page 27.

After erasing a flash page, all bits in the page are set to 1. The time it takes to erase a page is specified by  $t_{ERASEPAGE}$ . The CPU is halted if the CPU executes code from the flash while the NVMC is writing to the flash.

See [Partial erase of a page in flash](#) on page 25 for information on dividing the page erase time into shorter chunks.

### 4.3.3 Writing to user information configuration registers (UICR)

User information configuration registers (UICR) are written in the same way as flash. After UICR has been written, the new UICR configuration will only take effect after a reset.

UICR can only be written  $n_{WRITE}$  number of times before an erase must be performed using `ERASEUICR` on page 29 or `ERASEALL` on page 28. The time it takes to write a word to UICR is specified by  $t_{WRITE}$ . The CPU is halted if the CPU executes code from the flash while the NVMC is writing to the UICR.

### 4.3.4 Erasing user information configuration registers (UICR)

When erase is enabled, UICR can be erased using the `ERASEUICR` on page 29.

After erasing UICR, all bits in UICR are set to 1. The time it takes to erase UICR is specified by  $t_{ERASEPAGE}$ . The CPU is halted if the CPU executes code from the flash while the NVMC performs the erase operation.

### 4.3.5 Erase all

When erase is enabled, flash and UICR can be erased completely in one operation by using the `ERASEALL` on page 28. This operation will not erase the factory information configuration registers (FICR).

The time it takes to perform an `ERASEALL` command is specified by  $t_{ERASEALL}$ . The CPU is halted if the CPU executes code from the flash while the NVMC performs the erase operation.

### 4.3.6 Access port protection behavior

When access port protection is enabled, parts of the NVMC functionality will be blocked in order to prevent intentional or unintentional erase of UICR.

|                  | CTRL-AP ERASEALL | NVMC ERASEPAGE | NVMC ERASEPAGE PARTIAL | NVMC ERASEALL | NVMC ERASEUICR |
|------------------|------------------|----------------|------------------------|---------------|----------------|
| <b>APPROTECT</b> |                  |                |                        |               |                |
| Disabled         | Allowed          | Allowed        | Allowed                | Allowed       | Allowed        |
| Enabled          | Allowed          | Allowed        | Allowed                | Allowed       | Blocked        |

Table 5: NVMC Protection

### 4.3.7 Partial erase of a page in flash

Partial erase is a feature in the NVMC to split a page erase time into shorter chunks to prevent longer CPU stalls in time-critical applications. Partial erase is only applicable to the code area in flash memory and does not work with UICR.

When erase is enabled, the partial erase of a flash page can be started by writing to `ERASEPAGEPARTIAL` on page 29. The duration of a partial erase can be configured in `ERASEPAGEPARTIALCFG` on page 29. A flash page is erased when its erase time reaches  $t_{ERASEPAGE}$ . Use `ERASEPAGEPARTIAL` N number of times so that  $N * ERASEPAGEPARTIALCFG \geq t_{ERASEPAGE}$ , where  $N * ERASEPAGEPARTIALCFG$  gives the cumulative (total) erase time. Every time the cumulative erase time reaches  $t_{ERASEPAGE}$ , it counts as one erase cycle.

After the erase is complete, all bits in the page are set to 1. The CPU is halted if the CPU executes code from the flash while the NVMC performs the partial erase operation.

The bits in the page are undefined if the flash page erase is incomplete, i.e. if a partial erase has started but the total erase time is less than  $t_{ERASEPAGE}$ .

### 4.3.8 Cache

An instruction cache (I-Cache) can be enabled for the ICODE bus in the NVMC.

A cache hit is an instruction fetch from the cache, and it has a 0 wait-state delay. The number of wait-states for a cache miss, where the instruction is not available in the cache and needs to be fetched from flash, is shown in `CPU` on page 19.

Enabling the cache can increase CPU performance and reduce power consumption by reducing the number of wait cycles and the number of flash accesses. This will depend on the cache hit rate. Cache will use some current when enabled. If the reduction in average current due to reduced flash accesses is larger than the cache power requirement, the average current to execute the program code will decrease.

When disabled, the cache does not use current and does not retain its content.

It is possible to enable cache profiling to analyze the performance of the cache for your program using the `ICACHECNF` register. When profiling is enabled, the `IHIT` and `IMISS` registers are incremented for every instruction cache hit or miss, respectively. The hit and miss profiling registers do not wrap around after reaching the maximum value. If the maximum value is reached, consider profiling for a shorter duration to get correct numbers.

### 4.3.9 Registers

| Base address | Peripheral | Instance | Description                    | Configuration |
|--------------|------------|----------|--------------------------------|---------------|
| 0x4001E000   | NVMC       | NVMC     | Non-volatile memory controller |               |

Table 6: Instances

| Register                         | Offset | Description  |            |
|----------------------------------|--------|--|------------|
| <code>READY</code>               | 0x400  | Ready flag   |            |
| <code>READYNEXT</code>           | 0x408  | Ready flag   |            |
| <code>CONFIG</code>              | 0x504  | Configuration register   |            |
| <code>ERASEPAGE</code>           | 0x508  | Register for erasing a page in code area                                       |            |
| <code>ERASEPCR1</code>           | 0x508  | Register for erasing a page in code area, equivalent to <code>ERASEPAGE</code> | Deprecated |
| <code>ERASEALL</code>            | 0x50C  | Register for erasing all non-volatile user memory                              |            |
| <code>ERASEPCRO</code>           | 0x510  | Register for erasing a page in code area, equivalent to <code>ERASEPAGE</code> | Deprecated |
| <code>ERASEUICR</code>           | 0x514  | Register for erasing user information configuration registers                  |            |
| <code>ERASEPAGEPARTIAL</code>    | 0x518  | Register for partial erase of a page in code area                              |            |
| <code>ERASEPAGEPARTIALCFG</code> | 0x51C  | Register for partial erase configuration                                       |            |
| <code>ICACHECNF</code>           | 0x540  | I-code cache configuration register  |            |
| <code>IHIT</code>                | 0x548  | I-code cache hit counter   |            |
| <code>IMISS</code>               | 0x54C  | I-code cache miss counter  |            |

Table 7: Register overview

### 4.3.9.1 READY

Address offset: 0x400

Ready flag

| Bit number       | 31 30 29 28 27 26 25 24 23 22 21 20 19 18 17 16 15 14 13 12 11 10 9 8 7 6 5 4 3 2 1 0 |          |       |  |  |  |  |  |  |  |  |  |  |  |  |  |  |  |  |  |  |  |  |  |  |  |  |  |  |  |  |
|------------------|---|----------|-------|--|--|--|--|--|--|--|--|--|--|--|--|--|--|--|--|--|--|--|--|--|--|--|--|--|--|--|--|
| ID               | A   |          |       |  |  |  |  |  |  |  |  |  |  |  |  |  |  |  |  |  |  |  |  |  |  |  |  |  |  |  |  |
| Reset 0x00000001 | 0 1             |          |       |  |  |  |  |  |  |  |  |  |  |  |  |  |  |  |  |  |  |  |  |  |  |  |  |  |  |  |  |
| ID               | Acce Field  | Value ID | Value | Description                                      |  |  |  |  |  |  |  |  |  |  |  |  |  |  |  |  |  |  |  |  |  |  |  |  |  |  |  |
| A                | R   | READY    |       | NVMC is ready or busy                            |  |  |  |  |  |  |  |  |  |  |  |  |  |  |  |  |  |  |  |  |  |  |  |  |  |  |  |
|                  |   | Busy     | 0     | NVMC is busy (on-going write or erase operation) |  |  |  |  |  |  |  |  |  |  |  |  |  |  |  |  |  |  |  |  |  |  |  |  |  |  |  |
|                  |   | Ready    | 1     | NVMC is ready                                    |  |  |  |  |  |  |  |  |  |  |  |  |  |  |  |  |  |  |  |  |  |  |  |  |  |  |  |

### 4.3.9.2 READYNEXT

Address offset: 0x408

Ready flag

| Bit number       | 31 30 29 28 27 26 25 24 23 22 21 20 19 18 17 16 15 14 13 12 11 10 9 8 7 6 5 4 3 2 1 0 |           |       |  |  |  |  |  |  |  |  |  |  |  |  |  |  |  |  |  |  |  |  |  |  |  |  |  |  |  |  |
|------------------|---|-----------|-------|--|--|--|--|--|--|--|--|--|--|--|--|--|--|--|--|--|--|--|--|--|--|--|--|--|--|--|--|
| ID               | A   |           |       |  |  |  |  |  |  |  |  |  |  |  |  |  |  |  |  |  |  |  |  |  |  |  |  |  |  |  |  |
| Reset 0x00000001 | 0 1             |           |       |  |  |  |  |  |  |  |  |  |  |  |  |  |  |  |  |  |  |  |  |  |  |  |  |  |  |  |  |
| ID               | Acce Field  | Value ID  | Value | Description                            |  |  |  |  |  |  |  |  |  |  |  |  |  |  |  |  |  |  |  |  |  |  |  |  |  |  |  |
| A                | R   | READYNEXT |       | NVMC can accept a new write operation  |  |  |  |  |  |  |  |  |  |  |  |  |  |  |  |  |  |  |  |  |  |  |  |  |  |  |  |
|                  |   | Busy      | 0     | NVMC cannot accept any write operation |  |  |  |  |  |  |  |  |  |  |  |  |  |  |  |  |  |  |  |  |  |  |  |  |  |  |  |
|                  |   | Ready     | 1     | NVMC is ready                          |  |  |  |  |  |  |  |  |  |  |  |  |  |  |  |  |  |  |  |  |  |  |  |  |  |  |  |

### 4.3.9.3 CONFIG

Address offset: 0x504

Configuration register

| Bit number       | 31 30 29 28 27 26 25 24 23 22 21 20 19 18 17 16 15 14 13 12 11 10 9 8 7 6 5 4 3 2 1 0 |          |       |  |  |  |  |  |  |  |  |  |  |  |  |  |  |  |  |  |  |  |  |  |  |  |  |  |  |  |  |
|------------------|---|----------|-------|--|--|--|--|--|--|--|--|--|--|--|--|--|--|--|--|--|--|--|--|--|--|--|--|--|--|--|--|
| ID               | A A   |          |       |  |  |  |  |  |  |  |  |  |  |  |  |  |  |  |  |  |  |  |  |  |  |  |  |  |  |  |  |
| Reset 0x00000000 | 0             |          |       |  |  |  |  |  |  |  |  |  |  |  |  |  |  |  |  |  |  |  |  |  |  |  |  |  |  |  |  |
| ID               | Acce Field  | Value ID | Value | Description  |  |  |  |  |  |  |  |  |  |  |  |  |  |  |  |  |  |  |  |  |  |  |  |  |  |  |  |
| A                | RW  | WEN      |       | Program memory access mode. It is strongly recommended to only activate erase and write modes when they are actively used. |  |  |  |  |  |  |  |  |  |  |  |  |  |  |  |  |  |  |  |  |  |  |  |  |  |  |  |
|                  |   | Ren      | 0     | Read only access   |  |  |  |  |  |  |  |  |  |  |  |  |  |  |  |  |  |  |  |  |  |  |  |  |  |  |  |
|                  |   | Wen      | 1     | Write enabled  |  |  |  |  |  |  |  |  |  |  |  |  |  |  |  |  |  |  |  |  |  |  |  |  |  |  |  |
|                  |   | Een      | 2     | Erase enabled  |  |  |  |  |  |  |  |  |  |  |  |  |  |  |  |  |  |  |  |  |  |  |  |  |  |  |  |

### 4.3.9.4 ERASEPAGE

Address offset: 0x508

Register for erasing a page in code area

| Bit number       | 31   | 30        | 29       | 28    | 27  | 26 | 25 | 24 | 23 | 22 | 21 | 20 | 19 | 18 | 17 | 16 | 15 | 14 | 13 | 12 | 11 | 10 | 9 | 8 | 7 | 6 | 5 | 4 | 3 | 2 | 1 | 0 |
|------------------|------|-----------|----------|-------|---|----|----|----|----|----|----|----|----|----|----|----|----|----|----|----|----|----|---|---|---|---|---|---|---|---|---|---|
| ID               | A    | A         | A        | A     | A   | A  | A  | A  | A  | A  | A  | A  | A  | A  | A  | A  | A  | A  | A  | A  | A  | A  | A | A | A | A | A | A | A | A | A | A |
| Reset 0x00000000 | 0    | 0         | 0        | 0     | 0   | 0  | 0  | 0  | 0  | 0  | 0  | 0  | 0  | 0  | 0  | 0  | 0  | 0  | 0  | 0  | 0  | 0  | 0 | 0 | 0 | 0 | 0 | 0 | 0 | 0 | 0 | 0 |
| ID               | Acce | Field     | Value ID | Value | Description   |    |    |    |    |    |    |    |    |    |    |    |    |    |    |    |    |    |   |   |   |   |   |   |   |   |   |   |
| A                | W    | ERASEPAGE |          |       | Register for starting erase of a page in code area<br><br>The value is the address to the page to be erased. (Addresses of first word in page). The erase must be enabled using CONFIG.WEN before the page can be erased. Attempts to erase pages that are outside the code area may result in undesirable behavior, e.g. the wrong page may be erased. |    |    |    |    |    |    |    |    |    |    |    |    |    |    |    |    |    |   |   |   |   |   |   |   |   |   |   |

#### 4.3.9.5 ERASEPCR1 ( Deprecated )

Address offset: 0x508

Register for erasing a page in code area, equivalent to ERASEPAGE

| Bit number       | 31   | 30        | 29       | 28    | 27  | 26 | 25 | 24 | 23 | 22 | 21 | 20 | 19 | 18 | 17 | 16 | 15 | 14 | 13 | 12 | 11 | 10 | 9 | 8 | 7 | 6 | 5 | 4 | 3 | 2 | 1 | 0 |
|------------------|------|-----------|----------|-------|---|----|----|----|----|----|----|----|----|----|----|----|----|----|----|----|----|----|---|---|---|---|---|---|---|---|---|---|
| ID               | A    | A         | A        | A     | A   | A  | A  | A  | A  | A  | A  | A  | A  | A  | A  | A  | A  | A  | A  | A  | A  | A  | A | A | A | A | A | A | A | A | A |   |
| Reset 0x00000000 | 0    | 0         | 0        | 0     | 0   | 0  | 0  | 0  | 0  | 0  | 0  | 0  | 0  | 0  | 0  | 0  | 0  | 0  | 0  | 0  | 0  | 0  | 0 | 0 | 0 | 0 | 0 | 0 | 0 | 0 | 0 |   |
| ID               | Acce | Field     | Value ID | Value | Description   |    |    |    |    |    |    |    |    |    |    |    |    |    |    |    |    |    |   |   |   |   |   |   |   |   |   |   |
| A                | W    | ERASEPCR1 |          |       | Register for erasing a page in code area, equivalent to ERASEPAGE |    |    |    |    |    |    |    |    |    |    |    |    |    |    |    |    |    |   |   |   |   |   |   |   |   |   |   |

#### 4.3.9.6 ERASEALL

Address offset: 0x50C

Register for erasing all non-volatile user memory

| Bit number       | 31   | 30       | 29          | 28    | 27   | 26 | 25 | 24 | 23 | 22 | 21 | 20 | 19 | 18 | 17 | 16 | 15 | 14 | 13 | 12 | 11 | 10 | 9 | 8 | 7 | 6 | 5 | 4 | 3 | 2 | 1 | 0 |
|------------------|------|----------|-------------|-------|--|----|----|----|----|----|----|----|----|----|----|----|----|----|----|----|----|----|---|---|---|---|---|---|---|---|---|---|
| ID               |      |          |             |       |  |    |    |    |    |    |    |    |    |    |    |    |    |    |    |    |    |    |   |   |   |   |   |   |   |   |   | A |
| Reset 0x00000000 | 0    | 0        | 0           | 0     | 0  | 0  | 0  | 0  | 0  | 0  | 0  | 0  | 0  | 0  | 0  | 0  | 0  | 0  | 0  | 0  | 0  | 0  | 0 | 0 | 0 | 0 | 0 | 0 | 0 | 0 | 0 |   |
| ID               | Acce | Field    | Value ID    | Value | Description  |    |    |    |    |    |    |    |    |    |    |    |    |    |    |    |    |    |   |   |   |   |   |   |   |   |   |   |
| A                | W    | ERASEALL |             |       | Erase all non-volatile memory including UICR registers. The erase must be enabled using CONFIG.WEN before the non-volatile memory can be erased. |    |    |    |    |    |    |    |    |    |    |    |    |    |    |    |    |    |   |   |   |   |   |   |   |   |   |   |
|                  |      |          | NoOperation | 0     | No operation   |    |    |    |    |    |    |    |    |    |    |    |    |    |    |    |    |    |   |   |   |   |   |   |   |   |   |   |
|                  |      |          | Erase       | 1     | Start chip erase   |    |    |    |    |    |    |    |    |    |    |    |    |    |    |    |    |    |   |   |   |   |   |   |   |   |   |   |

#### 4.3.9.7 ERASEPCR0 ( Deprecated )

Address offset: 0x510

Register for erasing a page in code area, equivalent to ERASEPAGE

| Bit number       | 31   | 30        | 29       | 28    | 27  | 26 | 25 | 24 | 23 | 22 | 21 | 20 | 19 | 18 | 17 | 16 | 15 | 14 | 13 | 12 | 11 | 10 | 9 | 8 | 7 | 6 | 5 | 4 | 3 | 2 | 1 | 0 |
|------------------|------|-----------|----------|-------|---|----|----|----|----|----|----|----|----|----|----|----|----|----|----|----|----|----|---|---|---|---|---|---|---|---|---|---|
| ID               | A    | A         | A        | A     | A   | A  | A  | A  | A  | A  | A  | A  | A  | A  | A  | A  | A  | A  | A  | A  | A  | A  | A | A | A | A | A | A | A | A | A |   |
| Reset 0x00000000 | 0    | 0         | 0        | 0     | 0   | 0  | 0  | 0  | 0  | 0  | 0  | 0  | 0  | 0  | 0  | 0  | 0  | 0  | 0  | 0  | 0  | 0  | 0 | 0 | 0 | 0 | 0 | 0 | 0 | 0 | 0 |   |
| ID               | Acce | Field     | Value ID | Value | Description   |    |    |    |    |    |    |    |    |    |    |    |    |    |    |    |    |    |   |   |   |   |   |   |   |   |   |   |
| A                | W    | ERASEPCR0 |          |       | Register for starting erase of a page in code area, equivalent to ERASEPAGE |    |    |    |    |    |    |    |    |    |    |    |    |    |    |    |    |    |   |   |   |   |   |   |   |   |   |   |



### 4.3.9.8 ERASEUICR

Address offset: 0x514

Register for erasing user information configuration registers

| Bit number              | 31 30 29 28 27 26 25 24 23 22 21 20 19 18 17 16 15 14 13 12 11 10 9 8 7 6 5 4 3 2 1 0 |             |       |  |  |  |  |  |  |  |  |  |  |  |  |  |  |  |  |  |  |  |  |  |  |  |  |  |  |  |  |
|-------------------------|---|-------------|-------|--|--|--|--|--|--|--|--|--|--|--|--|--|--|--|--|--|--|--|--|--|--|--|--|--|--|--|--|
| ID                      | A   |             |       |  |  |  |  |  |  |  |  |  |  |  |  |  |  |  |  |  |  |  |  |  |  |  |  |  |  |  |  |
| <b>Reset 0x00000000</b> | <b>0 0</b>      |             |       |  |  |  |  |  |  |  |  |  |  |  |  |  |  |  |  |  |  |  |  |  |  |  |  |  |  |  |  |
| ID                      | Acce Field  | Value ID    | Value | Description  |  |  |  |  |  |  |  |  |  |  |  |  |  |  |  |  |  |  |  |  |  |  |  |  |  |  |  |
| A                       | W   | ERASEUICR   |       | Register starting erase of all user information configuration registers. The erase must be enabled using CONFIG.WEN before the UICR can be erased. |  |  |  |  |  |  |  |  |  |  |  |  |  |  |  |  |  |  |  |  |  |  |  |  |  |  |  |
|                         |   | NoOperation | 0     | No operation   |  |  |  |  |  |  |  |  |  |  |  |  |  |  |  |  |  |  |  |  |  |  |  |  |  |  |  |
|                         |   | Erase       | 1     | Start erase of UICR  |  |  |  |  |  |  |  |  |  |  |  |  |  |  |  |  |  |  |  |  |  |  |  |  |  |  |  |

### 4.3.9.9 ERASEPAGEPARTIAL

Address offset: 0x518

Register for partial erase of a page in code area

| Bit number              | 31 30 29 28 27 26 25 24 23 22 21 20 19 18 17 16 15 14 13 12 11 10 9 8 7 6 5 4 3 2 1 0 |                  |       |   |  |  |  |  |  |  |  |  |  |  |  |  |  |  |  |  |  |  |  |  |  |  |  |  |  |  |  |
|-------------------------|---|------------------|-------|---|--|--|--|--|--|--|--|--|--|--|--|--|--|--|--|--|--|--|--|--|--|--|--|--|--|--|--|
| ID                      | A                 |                  |       |   |  |  |  |  |  |  |  |  |  |  |  |  |  |  |  |  |  |  |  |  |  |  |  |  |  |  |  |
| <b>Reset 0x00000000</b> | <b>0 0</b>      |                  |       |   |  |  |  |  |  |  |  |  |  |  |  |  |  |  |  |  |  |  |  |  |  |  |  |  |  |  |  |
| ID                      | Acce Field  | Value ID         | Value | Description   |  |  |  |  |  |  |  |  |  |  |  |  |  |  |  |  |  |  |  |  |  |  |  |  |  |  |  |
| A                       | W   | ERASEPAGEPARTIAL |       | Register for starting partial erase of a page in code area  |  |  |  |  |  |  |  |  |  |  |  |  |  |  |  |  |  |  |  |  |  |  |  |  |  |  |  |
|                         |   |                  |       | The value is the address to the page to be partially erased (address of the first word in page). The erase must be enabled using CONFIG.WEN before every erase page partial and disabled using CONFIG.WEN after every erase page partial. Attempts to erase pages that are outside the code area may result in undesirable behavior, e.g. the wrong page may be erased. |  |  |  |  |  |  |  |  |  |  |  |  |  |  |  |  |  |  |  |  |  |  |  |  |  |  |  |

### 4.3.9.10 ERASEPAGEPARTIALCFG

Address offset: 0x51C

Register for partial erase configuration

| Bit number              | 31 30 29 28 27 26 25 24 23 22 21 20 19 18 17 16 15 14 13 12 11 10 9 8 7 6 5 4 3 2 1 0 |          |       |   |  |  |  |  |  |  |  |  |  |  |  |  |  |  |  |  |  |  |  |  |  |  |  |  |  |  |  |
|-------------------------|---|----------|-------|---|--|--|--|--|--|--|--|--|--|--|--|--|--|--|--|--|--|--|--|--|--|--|--|--|--|--|--|
| ID                      | A A A A A A A   |          |       |   |  |  |  |  |  |  |  |  |  |  |  |  |  |  |  |  |  |  |  |  |  |  |  |  |  |  |  |
| <b>Reset 0x0000000A</b> | <b>0 1 0 1 0</b>        |          |       |   |  |  |  |  |  |  |  |  |  |  |  |  |  |  |  |  |  |  |  |  |  |  |  |  |  |  |  |
| ID                      | Acce Field  | Value ID | Value | Description   |  |  |  |  |  |  |  |  |  |  |  |  |  |  |  |  |  |  |  |  |  |  |  |  |  |  |  |
| A                       | RW  | DURATION |       | Duration of the partial erase in milliseconds   |  |  |  |  |  |  |  |  |  |  |  |  |  |  |  |  |  |  |  |  |  |  |  |  |  |  |  |
|                         |   |          |       | The user must ensure that the total erase time is long enough for a complete erase of the flash page. |  |  |  |  |  |  |  |  |  |  |  |  |  |  |  |  |  |  |  |  |  |  |  |  |  |  |  |

### 4.3.9.11 ICACHECNF

Address offset: 0x540

I-code cache configuration register

| Bit number | 31 30 29 28 27 26 25 24 23 22 21 20 19 18 17 16 15 14 13 12 11 10 9 8 7 6 5 4 3 2 1 0 |          |       |   |  |  |  |  |  |  |  |  |  |  |  |  |  |  |  |  |  |  |  |  |  |  |  |  |   |   |  |
|------------|---|----------|-------|---|--|--|--|--|--|--|--|--|--|--|--|--|--|--|--|--|--|--|--|--|--|--|--|--|---|---|--|
| ID         |   |          |       |   |  |  |  |  |  |  |  |  |  |  |  |  |  |  |  |  |  |  |  |  |  |  |  |  | B | A |  |
| Reset      | 0x00000000  |          |       |   |  |  |  |  |  |  |  |  |  |  |  |  |  |  |  |  |  |  |  |  |  |  |  |  |   |   |  |
| 0          | 0             |          |       |   |  |  |  |  |  |  |  |  |  |  |  |  |  |  |  |  |  |  |  |  |  |  |  |  |   |   |  |
| ID         | Acce Field  | Value ID | Value | Description   |  |  |  |  |  |  |  |  |  |  |  |  |  |  |  |  |  |  |  |  |  |  |  |  |   |   |  |
| A          | RW CACHEEN  | Disabled | 0     | Cache enable  |  |  |  |  |  |  |  |  |  |  |  |  |  |  |  |  |  |  |  |  |  |  |  |  |   |   |  |
|            |   | Enabled  | 1     | Disable cache. Invalidates all cache entries.<br>Enable cache |  |  |  |  |  |  |  |  |  |  |  |  |  |  |  |  |  |  |  |  |  |  |  |  |   |   |  |
| B          | RW CACHEPROFEN  | Disabled | 0     | Cache profiling enable  |  |  |  |  |  |  |  |  |  |  |  |  |  |  |  |  |  |  |  |  |  |  |  |  |   |   |  |
|            |   | Enabled  | 1     | Disable cache profiling<br>Enable cache profiling             |  |  |  |  |  |  |  |  |  |  |  |  |  |  |  |  |  |  |  |  |  |  |  |  |   |   |  |

### 4.3.9.12 IHIT

Address offset: 0x548

I-code cache hit counter

| Bit number | 31 30 29 28 27 26 25 24 23 22 21 20 19 18 17 16 15 14 13 12 11 10 9 8 7 6 5 4 3 2 1 0 |          |       |  |  |  |  |  |  |  |  |  |  |  |  |  |  |  |  |  |  |  |  |  |  |  |  |  |   |   |  |
|------------|---|----------|-------|--|--|--|--|--|--|--|--|--|--|--|--|--|--|--|--|--|--|--|--|--|--|--|--|--|---|---|--|
| ID         | A                   |          |       |  |  |  |  |  |  |  |  |  |  |  |  |  |  |  |  |  |  |  |  |  |  |  |  |  | A | A |  |
| Reset      | 0x00000000  |          |       |  |  |  |  |  |  |  |  |  |  |  |  |  |  |  |  |  |  |  |  |  |  |  |  |  |   |   |  |
| 0          | 0             |          |       |  |  |  |  |  |  |  |  |  |  |  |  |  |  |  |  |  |  |  |  |  |  |  |  |  |   |   |  |
| ID         | Acce Field  | Value ID | Value | Description                            |  |  |  |  |  |  |  |  |  |  |  |  |  |  |  |  |  |  |  |  |  |  |  |  |   |   |  |
| A          | RW HITS   |          |       | Number of cache hits.                  |  |  |  |  |  |  |  |  |  |  |  |  |  |  |  |  |  |  |  |  |  |  |  |  |   |   |  |
|            |   |          |       | Register is writable, but only to '0'. |  |  |  |  |  |  |  |  |  |  |  |  |  |  |  |  |  |  |  |  |  |  |  |  |   |   |  |

### 4.3.9.13 IMISS

Address offset: 0x54C

I-code cache miss counter

| Bit number | 31 30 29 28 27 26 25 24 23 22 21 20 19 18 17 16 15 14 13 12 11 10 9 8 7 6 5 4 3 2 1 0 |          |       |  |  |  |  |  |  |  |  |  |  |  |  |  |  |  |  |  |  |  |  |  |  |  |  |  |   |   |  |
|------------|---|----------|-------|--|--|--|--|--|--|--|--|--|--|--|--|--|--|--|--|--|--|--|--|--|--|--|--|--|---|---|--|
| ID         | A                   |          |       |  |  |  |  |  |  |  |  |  |  |  |  |  |  |  |  |  |  |  |  |  |  |  |  |  | A | A |  |
| Reset      | 0x00000000  |          |       |  |  |  |  |  |  |  |  |  |  |  |  |  |  |  |  |  |  |  |  |  |  |  |  |  |   |   |  |
| 0          | 0             |          |       |  |  |  |  |  |  |  |  |  |  |  |  |  |  |  |  |  |  |  |  |  |  |  |  |  |   |   |  |
| ID         | Acce Field  | Value ID | Value | Description                            |  |  |  |  |  |  |  |  |  |  |  |  |  |  |  |  |  |  |  |  |  |  |  |  |   |   |  |
| A          | RW MISSES   |          |       | Number of cache misses.                |  |  |  |  |  |  |  |  |  |  |  |  |  |  |  |  |  |  |  |  |  |  |  |  |   |   |  |
|            |   |          |       | Register is writable, but only to '0'. |  |  |  |  |  |  |  |  |  |  |  |  |  |  |  |  |  |  |  |  |  |  |  |  |   |   |  |

## 4.3.10 Electrical specification

### 4.3.10.1 Flash programming

| Symbol                     | Description  | Min.  | Typ. | Max.              | Units   |
|----------------------------|--|-------|------|-------------------|---------|
| $n_{WRITE}$                | Number of times a 32-bit word can be written before erase  |       |      | 2                 |         |
| $n_{ENDURANCE}$            | Erase cycles per page  | 10000 |      |                   |         |
| $t_{WRITE}$                | Time to write one 32-bit word  |       |      | 41 <sup>1</sup>   | $\mu$ s |
| $t_{ERASEPAGE}$            | Time to erase one page   |       |      | 85 <sup>1</sup>   | ms      |
| $t_{ERASEALL}$             | Time to erase all flash  |       |      | 169 <sup>1</sup>  | ms      |
| $t_{ERASEPAGEPARTIAL,acc}$ | Accuracy of the partial page erase duration. Total execution time for one partial page erase is defined as<br>$ERASEPAGEPARTIALCFG * t_{ERASEPAGEPARTIAL,acc}$ |       |      | 1.05 <sup>1</sup> |         |

<sup>1</sup> Applies when HFXO is used. Timing varies according to HFINT accuracy when HFINT is used.

### 4.3.10.2 Cache size

| Symbol                | Description       | Min. | Typ. | Max. | Units |
|-----------------------|-------------------|------|------|------|-------|
| Size <sub>ICODE</sub> | I-Code cache size |      | 2048 |      | Bytes |

## 4.4 FICR — Factory information configuration registers

Factory information configuration registers (FICR) are pre-programmed in factory and cannot be erased by the user. These registers contain chip-specific information and configuration.

### 4.4.1 Registers

| Base address | Peripheral | Instance | Description                       | Configuration |
|--------------|------------|----------|-----------------------------------|---------------|
| 0x10000000   | FICR       | FICR     | Factory information configuration |               |

Table 8: Instances

| Register        | Offset | Description  |          |
|-----------------|--------|--|----------|
| CODEPAGESIZE    | 0x010  | Code memory page size                                      |          |
| CODESIZE        | 0x014  | Code memory size   |          |
| DEVICEID[0]     | 0x060  | Device identifier  |          |
| DEVICEID[1]     | 0x064  | Device identifier  |          |
| ER[0]           | 0x080  | Encryption root, word 0                                    |          |
| ER[1]           | 0x084  | Encryption root, word 1                                    |          |
| ER[2]           | 0x088  | Encryption root, word 2                                    |          |
| ER[3]           | 0x08C  | Encryption root, word 3                                    |          |
| IR[0]           | 0x090  | Identity Root, word 0                                      |          |
| IR[1]           | 0x094  | Identity Root, word 1                                      |          |
| IR[2]           | 0x098  | Identity Root, word 2                                      |          |
| IR[3]           | 0x09C  | Identity Root, word 3                                      |          |
| DEVICEADDRTYPE  | 0x0A0  | Device address type  |          |
| DEVICEADDR[0]   | 0x0A4  | Device address 0   |          |
| DEVICEADDR[1]   | 0x0A8  | Device address 1   |          |
| INFO.PART       | 0x100  | Part code  |          |
| INFO.VARIANT    | 0x104  | Build code (hardware version and production configuration) |          |
| INFO.PACKAGE    | 0x108  | Package option   |          |
| INFO.RAM        | 0x10C  | RAM variant  |          |
| INFO.FLASH      | 0x110  | Flash variant  |          |
| INFO.UNUSED8[0] | 0x114  |  | Reserved |
| INFO.UNUSED8[1] | 0x118  |  | Reserved |
| INFO.UNUSED8[2] | 0x11C  |  | Reserved |
| PRODTEST[0]     | 0x350  | Production test signature 0                                |          |
| PRODTEST[1]     | 0x354  | Production test signature 1                                |          |
| PRODTEST[2]     | 0x358  | Production test signature 2                                |          |
| TEMP.A0         | 0x404  | Slope definition A0  |          |
| TEMP.A1         | 0x408  | Slope definition A1  |          |
| TEMP.A2         | 0x40C  | Slope definition A2  |          |
| TEMP.A3         | 0x410  | Slope definition A3  |          |
| TEMP.A4         | 0x414  | Slope definition A4  |          |
| TEMP.A5         | 0x418  | Slope definition A5  |          |
| TEMP.B0         | 0x41C  | Y-intercept B0   |          |

| Register         | Offset | Description   |
|------------------|--------|---|
| TEMP.B1          | 0x420  | Y-intercept B1  |
| TEMP.B2          | 0x424  | Y-intercept B2  |
| TEMP.B3          | 0x428  | Y-intercept B3  |
| TEMP.B4          | 0x42C  | Y-intercept B4  |
| TEMP.B5          | 0x430  | Y-intercept B5  |
| TEMP.T0          | 0x434  | Segment end T0  |
| TEMP.T1          | 0x438  | Segment end T1  |
| TEMP.T2          | 0x43C  | Segment end T2  |
| TEMP.T3          | 0x440  | Segment end T3  |
| TEMP.T4          | 0x444  | Segment end T4  |
| NFC.TAGHEADER0   | 0x450  | Default header for NFC tag. Software can read these values to populate NFCID1_3RD_LAST, NFCID1_2ND_LAST, and NFCID1_LAST. |
| NFC.TAGHEADER1   | 0x454  | Default header for NFC tag. Software can read these values to populate NFCID1_3RD_LAST, NFCID1_2ND_LAST, and NFCID1_LAST. |
| NFC.TAGHEADER2   | 0x458  | Default header for NFC tag. Software can read these values to populate NFCID1_3RD_LAST, NFCID1_2ND_LAST, and NFCID1_LAST. |
| NFC.TAGHEADER3   | 0x45C  | Default header for NFC tag. Software can read these values to populate NFCID1_3RD_LAST, NFCID1_2ND_LAST, and NFCID1_LAST. |
| TRNG90B.BYTES    | 0xC00  | Amount of bytes for the required entropy bits   |
| TRNG90B.RCCUTOFF | 0xC04  | Repetition counter cutoff   |
| TRNG90B.APCUTOFF | 0xC08  | Adaptive proportion cutoff  |
| TRNG90B.STARTUP  | 0xC0C  | Amount of bytes for the startup tests   |
| TRNG90B.ROSC1    | 0xC10  | Sample count for ring oscillator 1  |
| TRNG90B.ROSC2    | 0xC14  | Sample count for ring oscillator 2  |
| TRNG90B.ROSC3    | 0xC18  | Sample count for ring oscillator 3  |
| TRNG90B.ROSC4    | 0xC1C  | Sample count for ring oscillator 4  |

Table 9: Register overview

#### 4.4.1.1 CODEPAGESIZE

Address offset: 0x010

Code memory page size

|                  |    |    |    |    |    |    |    |    |    |    |    |    |    |    |    |    |    |    |    |    |    |    |   |   |   |   |   |   |   |   |   |   |
|------------------|----|----|----|----|----|----|----|----|----|----|----|----|----|----|----|----|----|----|----|----|----|----|---|---|---|---|---|---|---|---|---|---|
| Bit number       | 31 | 30 | 29 | 28 | 27 | 26 | 25 | 24 | 23 | 22 | 21 | 20 | 19 | 18 | 17 | 16 | 15 | 14 | 13 | 12 | 11 | 10 | 9 | 8 | 7 | 6 | 5 | 4 | 3 | 2 | 1 | 0 |
| ID               | A  | A  | A  | A  | A  | A  | A  | A  | A  | A  | A  | A  | A  | A  | A  | A  | A  | A  | A  | A  | A  | A  | A | A | A | A | A | A | A | A | A | A |
| Reset 0xFFFFFFFF | 1  | 1  | 1  | 1  | 1  | 1  | 1  | 1  | 1  | 1  | 1  | 1  | 1  | 1  | 1  | 1  | 1  | 1  | 1  | 1  | 1  | 1  | 1 | 1 | 1 | 1 | 1 | 1 | 1 | 1 | 1 |   |

| ID | Acces Field | Value ID     | Value | Description           |
|----|-------------|--------------|-------|-----------------------|
| A  | R           | CODEPAGESIZE |       | Code memory page size |

#### 4.4.1.2 CODESIZE

Address offset: 0x014

Code memory size

|                  |    |    |    |    |    |    |    |    |    |    |    |    |    |    |    |    |    |    |    |    |    |    |   |   |   |   |   |   |   |   |   |   |
|------------------|----|----|----|----|----|----|----|----|----|----|----|----|----|----|----|----|----|----|----|----|----|----|---|---|---|---|---|---|---|---|---|---|
| Bit number       | 31 | 30 | 29 | 28 | 27 | 26 | 25 | 24 | 23 | 22 | 21 | 20 | 19 | 18 | 17 | 16 | 15 | 14 | 13 | 12 | 11 | 10 | 9 | 8 | 7 | 6 | 5 | 4 | 3 | 2 | 1 | 0 |
| ID               | A  | A  | A  | A  | A  | A  | A  | A  | A  | A  | A  | A  | A  | A  | A  | A  | A  | A  | A  | A  | A  | A  | A | A | A | A | A | A | A | A | A |   |
| Reset 0xFFFFFFFF | 1  | 1  | 1  | 1  | 1  | 1  | 1  | 1  | 1  | 1  | 1  | 1  | 1  | 1  | 1  | 1  | 1  | 1  | 1  | 1  | 1  | 1  | 1 | 1 | 1 | 1 | 1 | 1 | 1 | 1 | 1 |   |

| ID | Acces Field | Value ID | Value | Description                         |
|----|-------------|----------|-------|-------------------------------------|
| A  | R           | CODESIZE |       | Code memory size in number of pages |

Total code space is: CODEPAGESIZE \* CODESIZE

### 4.4.1.3 DEVICEID[n] (n=0..1)

Address offset: 0x060 + (n × 0x4)

Device identifier

| Bit number       | 31   | 30       | 29       | 28    | 27   | 26 | 25 | 24 | 23 | 22 | 21 | 20 | 19 | 18 | 17 | 16 | 15 | 14 | 13 | 12 | 11 | 10 | 9 | 8 | 7 | 6 | 5 | 4 | 3 | 2 | 1 | 0 |
|------------------|------|----------|----------|-------|--|----|----|----|----|----|----|----|----|----|----|----|----|----|----|----|----|----|---|---|---|---|---|---|---|---|---|---|
| ID               | A    | A        | A        | A     | A  | A  | A  | A  | A  | A  | A  | A  | A  | A  | A  | A  | A  | A  | A  | A  | A  | A  | A | A | A | A | A | A | A | A | A | A |
| Reset 0xFFFFFFFF | 1    | 1        | 1        | 1     | 1  | 1  | 1  | 1  | 1  | 1  | 1  | 1  | 1  | 1  | 1  | 1  | 1  | 1  | 1  | 1  | 1  | 1  | 1 | 1 | 1 | 1 | 1 | 1 | 1 | 1 | 1 |   |
| ID               | Acce | Field    | Value ID | Value | Description  |    |    |    |    |    |    |    |    |    |    |    |    |    |    |    |    |    |   |   |   |   |   |   |   |   |   |   |
| A                | R    | DEVICEID |          |       | 64 bit unique device identifier  |    |    |    |    |    |    |    |    |    |    |    |    |    |    |    |    |    |   |   |   |   |   |   |   |   |   |   |
|                  |      |          |          |       | DEVICEID[0] contains the least significant bits of the device identifier. DEVICEID[1] contains the most significant bits of the device identifier. |    |    |    |    |    |    |    |    |    |    |    |    |    |    |    |    |    |   |   |   |   |   |   |   |   |   |   |

### 4.4.1.4 ER[n] (n=0..3)

Address offset: 0x080 + (n × 0x4)

Encryption root, word n

| Bit number       | 31   | 30    | 29       | 28    | 27                      | 26 | 25 | 24 | 23 | 22 | 21 | 20 | 19 | 18 | 17 | 16 | 15 | 14 | 13 | 12 | 11 | 10 | 9 | 8 | 7 | 6 | 5 | 4 | 3 | 2 | 1 | 0 |
|------------------|------|-------|----------|-------|-------------------------|----|----|----|----|----|----|----|----|----|----|----|----|----|----|----|----|----|---|---|---|---|---|---|---|---|---|---|
| ID               | A    | A     | A        | A     | A                       | A  | A  | A  | A  | A  | A  | A  | A  | A  | A  | A  | A  | A  | A  | A  | A  | A  | A | A | A | A | A | A | A | A | A |   |
| Reset 0xFFFFFFFF | 1    | 1     | 1        | 1     | 1                       | 1  | 1  | 1  | 1  | 1  | 1  | 1  | 1  | 1  | 1  | 1  | 1  | 1  | 1  | 1  | 1  | 1  | 1 | 1 | 1 | 1 | 1 | 1 | 1 | 1 | 1 |   |
| ID               | Acce | Field | Value ID | Value | Description             |    |    |    |    |    |    |    |    |    |    |    |    |    |    |    |    |    |   |   |   |   |   |   |   |   |   |   |
| A                | R    | ER    |          |       | Encryption root, word n |    |    |    |    |    |    |    |    |    |    |    |    |    |    |    |    |    |   |   |   |   |   |   |   |   |   |   |

### 4.4.1.5 IR[n] (n=0..3)

Address offset: 0x090 + (n × 0x4)

Identity Root, word n

| Bit number       | 31   | 30    | 29       | 28    | 27                    | 26 | 25 | 24 | 23 | 22 | 21 | 20 | 19 | 18 | 17 | 16 | 15 | 14 | 13 | 12 | 11 | 10 | 9 | 8 | 7 | 6 | 5 | 4 | 3 | 2 | 1 | 0 |
|------------------|------|-------|----------|-------|-----------------------|----|----|----|----|----|----|----|----|----|----|----|----|----|----|----|----|----|---|---|---|---|---|---|---|---|---|---|
| ID               | A    | A     | A        | A     | A                     | A  | A  | A  | A  | A  | A  | A  | A  | A  | A  | A  | A  | A  | A  | A  | A  | A  | A | A | A | A | A | A | A | A | A |   |
| Reset 0xFFFFFFFF | 1    | 1     | 1        | 1     | 1                     | 1  | 1  | 1  | 1  | 1  | 1  | 1  | 1  | 1  | 1  | 1  | 1  | 1  | 1  | 1  | 1  | 1  | 1 | 1 | 1 | 1 | 1 | 1 | 1 | 1 | 1 |   |
| ID               | Acce | Field | Value ID | Value | Description           |    |    |    |    |    |    |    |    |    |    |    |    |    |    |    |    |    |   |   |   |   |   |   |   |   |   |   |
| A                | R    | IR    |          |       | Identity Root, word n |    |    |    |    |    |    |    |    |    |    |    |    |    |    |    |    |    |   |   |   |   |   |   |   |   |   |   |

### 4.4.1.6 DEVICEADDRTYPE

Address offset: 0x0A0

Device address type

| Bit number       | 31   | 30             | 29       | 28    | 27                  | 26 | 25 | 24 | 23 | 22 | 21 | 20 | 19 | 18 | 17 | 16 | 15 | 14 | 13 | 12 | 11 | 10 | 9 | 8 | 7 | 6 | 5 | 4 | 3 | 2 | 1 | 0 |
|------------------|------|----------------|----------|-------|---------------------|----|----|----|----|----|----|----|----|----|----|----|----|----|----|----|----|----|---|---|---|---|---|---|---|---|---|---|
| ID               |      |                |          |       |                     |    |    |    |    |    |    |    |    |    |    |    |    |    |    |    |    |    |   |   |   |   |   |   |   |   |   | A |
| Reset 0xFFFFFFFF | 1    | 1              | 1        | 1     | 1                   | 1  | 1  | 1  | 1  | 1  | 1  | 1  | 1  | 1  | 1  | 1  | 1  | 1  | 1  | 1  | 1  | 1  | 1 | 1 | 1 | 1 | 1 | 1 | 1 | 1 | 1 |   |
| ID               | Acce | Field          | Value ID | Value | Description         |    |    |    |    |    |    |    |    |    |    |    |    |    |    |    |    |    |   |   |   |   |   |   |   |   |   |   |
| A                | R    | DEVICEADDRTYPE |          |       | Device address type |    |    |    |    |    |    |    |    |    |    |    |    |    |    |    |    |    |   |   |   |   |   |   |   |   |   |   |
|                  |      |                | Public   | 0     | Public address      |    |    |    |    |    |    |    |    |    |    |    |    |    |    |    |    |    |   |   |   |   |   |   |   |   |   |   |
|                  |      |                | Random   | 1     | Random address      |    |    |    |    |    |    |    |    |    |    |    |    |    |    |    |    |    |   |   |   |   |   |   |   |   |   |   |

#### 4.4.1.7 DEVICEADDR[n] (n=0..1)

Address offset: 0x0A4 + (n × 0x4)

Device address n

| Bit number       | 31   | 30         | 29       | 28    | 27   | 26 | 25 | 24 | 23 | 22 | 21 | 20 | 19 | 18 | 17 | 16 | 15 | 14 | 13 | 12 | 11 | 10 | 9 | 8 | 7 | 6 | 5 | 4 | 3 | 2 | 1 | 0 |
|------------------|------|------------|----------|-------|--|----|----|----|----|----|----|----|----|----|----|----|----|----|----|----|----|----|---|---|---|---|---|---|---|---|---|---|
| ID               | A    | A          | A        | A     | A  | A  | A  | A  | A  | A  | A  | A  | A  | A  | A  | A  | A  | A  | A  | A  | A  | A  | A | A | A | A | A | A | A | A | A | A |
| Reset 0xFFFFFFFF | 1    | 1          | 1        | 1     | 1  | 1  | 1  | 1  | 1  | 1  | 1  | 1  | 1  | 1  | 1  | 1  | 1  | 1  | 1  | 1  | 1  | 1  | 1 | 1 | 1 | 1 | 1 | 1 | 1 | 1 | 1 |   |
| ID               | Acce | Field      | Value ID | Value | Description  |    |    |    |    |    |    |    |    |    |    |    |    |    |    |    |    |    |   |   |   |   |   |   |   |   |   |   |
| A                | R    | DEVICEADDR |          |       | 48 bit device address  |    |    |    |    |    |    |    |    |    |    |    |    |    |    |    |    |    |   |   |   |   |   |   |   |   |   |   |
|                  |      |            |          |       | DEVICEADDR[0] contains the least significant bits of the device address. DEVICEADDR[1] contains the most significant bits of the device address. Only bits [15:0] of DEVICEADDR[1] are used. |    |    |    |    |    |    |    |    |    |    |    |    |    |    |    |    |    |   |   |   |   |   |   |   |   |   |   |

#### 4.4.1.8 INFO.PART

Address offset: 0x100

Part code

| Bit number       | 31   | 30    | 29          | 28         | 27          | 26 | 25 | 24 | 23 | 22 | 21 | 20 | 19 | 18 | 17 | 16 | 15 | 14 | 13 | 12 | 11 | 10 | 9 | 8 | 7 | 6 | 5 | 4 | 3 | 2 | 1 | 0 |
|------------------|------|-------|-------------|------------|-------------|----|----|----|----|----|----|----|----|----|----|----|----|----|----|----|----|----|---|---|---|---|---|---|---|---|---|---|
| ID               | A    | A     | A           | A          | A           | A  | A  | A  | A  | A  | A  | A  | A  | A  | A  | A  | A  | A  | A  | A  | A  | A  | A | A | A | A | A | A | A | A | A |   |
| Reset 0x00052840 | 0    | 0     | 0           | 0          | 0           | 0  | 0  | 0  | 0  | 0  | 0  | 0  | 0  | 1  | 0  | 1  | 0  | 0  | 1  | 0  | 1  | 0  | 0 | 0 | 0 | 1 | 0 | 0 | 0 | 0 | 0 |   |
| ID               | Acce | Field | Value ID    | Value      | Description |    |    |    |    |    |    |    |    |    |    |    |    |    |    |    |    |    |   |   |   |   |   |   |   |   |   |   |
| A                | R    | PART  |             |            | Part code   |    |    |    |    |    |    |    |    |    |    |    |    |    |    |    |    |    |   |   |   |   |   |   |   |   |   |   |
|                  |      |       | N52820      | 0x52820    | nRF52820    |    |    |    |    |    |    |    |    |    |    |    |    |    |    |    |    |    |   |   |   |   |   |   |   |   |   |   |
|                  |      |       | N52833      | 0x52833    | nRF52833    |    |    |    |    |    |    |    |    |    |    |    |    |    |    |    |    |    |   |   |   |   |   |   |   |   |   |   |
|                  |      |       | N52840      | 0x52840    | nRF52840    |    |    |    |    |    |    |    |    |    |    |    |    |    |    |    |    |    |   |   |   |   |   |   |   |   |   |   |
|                  |      |       | Unspecified | 0xFFFFFFFF | Unspecified |    |    |    |    |    |    |    |    |    |    |    |    |    |    |    |    |    |   |   |   |   |   |   |   |   |   |   |

#### 4.4.1.9 INFO.VARIANT

Address offset: 0x104

Build code (hardware version and production configuration)

| Bit number       | 31   | 30      | 29       | 28         | 27  | 26 | 25 | 24 | 23 | 22 | 21 | 20 | 19 | 18 | 17 | 16 | 15 | 14 | 13 | 12 | 11 | 10 | 9 | 8 | 7 | 6 | 5 | 4 | 3 | 2 | 1 | 0 |
|------------------|------|---------|----------|------------|---|----|----|----|----|----|----|----|----|----|----|----|----|----|----|----|----|----|---|---|---|---|---|---|---|---|---|---|
| ID               | A    | A       | A        | A          | A   | A  | A  | A  | A  | A  | A  | A  | A  | A  | A  | A  | A  | A  | A  | A  | A  | A  | A | A | A | A | A | A | A | A | A |   |
| Reset 0xFFFFFFFF | 1    | 1       | 1        | 1          | 1   | 1  | 1  | 1  | 1  | 1  | 1  | 1  | 1  | 1  | 1  | 1  | 1  | 1  | 1  | 1  | 1  | 1  | 1 | 1 | 1 | 1 | 1 | 1 | 1 | 1 | 1 |   |
| ID               | Acce | Field   | Value ID | Value      | Description   |    |    |    |    |    |    |    |    |    |    |    |    |    |    |    |    |    |   |   |   |   |   |   |   |   |   |   |
| A                | R    | VARIANT |          |            | Build code (hardware version and production configuration). Encoded as ASCII. |    |    |    |    |    |    |    |    |    |    |    |    |    |    |    |    |    |   |   |   |   |   |   |   |   |   |   |
|                  |      |         | AAAA     | 0x41414141 | AAAA  |    |    |    |    |    |    |    |    |    |    |    |    |    |    |    |    |    |   |   |   |   |   |   |   |   |   |   |
|                  |      |         | AABB     | 0x41414242 | AABB  |    |    |    |    |    |    |    |    |    |    |    |    |    |    |    |    |    |   |   |   |   |   |   |   |   |   |   |
|                  |      |         | AACA     | 0x41414341 | AACA  |    |    |    |    |    |    |    |    |    |    |    |    |    |    |    |    |    |   |   |   |   |   |   |   |   |   |   |
|                  |      |         | AAC0     | 0x41414330 | AAC0  |    |    |    |    |    |    |    |    |    |    |    |    |    |    |    |    |    |   |   |   |   |   |   |   |   |   |   |
|                  |      |         | AADA     | 0x41414441 | AADA  |    |    |    |    |    |    |    |    |    |    |    |    |    |    |    |    |    |   |   |   |   |   |   |   |   |   |   |
|                  |      |         | AAD0     | 0x41414430 | AAD0  |    |    |    |    |    |    |    |    |    |    |    |    |    |    |    |    |    |   |   |   |   |   |   |   |   |   |   |
|                  |      |         | AAD1     | 0x41414431 | AAD1  |    |    |    |    |    |    |    |    |    |    |    |    |    |    |    |    |    |   |   |   |   |   |   |   |   |   |   |
|                  |      |         | AAEA     | 0x41414541 | AAEA  |    |    |    |    |    |    |    |    |    |    |    |    |    |    |    |    |    |   |   |   |   |   |   |   |   |   |   |
|                  |      |         | AAF0     | 0x41414530 | AAF0  |    |    |    |    |    |    |    |    |    |    |    |    |    |    |    |    |    |   |   |   |   |   |   |   |   |   |   |
|                  |      |         | AAFA     | 0x41414541 | AAFA  |    |    |    |    |    |    |    |    |    |    |    |    |    |    |    |    |    |   |   |   |   |   |   |   |   |   |   |

| Bit number       | 31         | 30          | 29         | 28          | 27 | 26 | 25 | 24 | 23 | 22 | 21 | 20 | 19 | 18 | 17 | 16 | 15 | 14 | 13 | 12 | 11 | 10 | 9 | 8 | 7 | 6 | 5 | 4 | 3 | 2 | 1 | 0 |
|------------------|------------|-------------|------------|-------------|----|----|----|----|----|----|----|----|----|----|----|----|----|----|----|----|----|----|---|---|---|---|---|---|---|---|---|---|
| ID               | A          | A           | A          | A           | A  | A  | A  | A  | A  | A  | A  | A  | A  | A  | A  | A  | A  | A  | A  | A  | A  | A  | A | A | A | A | A | A | A | A | A | A |
| Reset 0xFFFFFFFF | 1          | 1           | 1          | 1           | 1  | 1  | 1  | 1  | 1  | 1  | 1  | 1  | 1  | 1  | 1  | 1  | 1  | 1  | 1  | 1  | 1  | 1  | 1 | 1 | 1 | 1 | 1 | 1 | 1 | 1 | 1 |   |
| ID               | Acce Field | Value ID    | Value      | Description |    |    |    |    |    |    |    |    |    |    |    |    |    |    |    |    |    |    |   |   |   |   |   |   |   |   |   |   |
|                  |            | Unspecified | 0xFFFFFFFF | Unspecified |    |    |    |    |    |    |    |    |    |    |    |    |    |    |    |    |    |    |   |   |   |   |   |   |   |   |   |   |

#### 4.4.1.10 INFO.PACKAGE

Address offset: 0x108

Package option

| Bit number       | 31         | 30          | 29         | 28                         | 27 | 26 | 25 | 24 | 23 | 22 | 21 | 20 | 19 | 18 | 17 | 16 | 15 | 14 | 13 | 12 | 11 | 10 | 9 | 8 | 7 | 6 | 5 | 4 | 3 | 2 | 1 | 0 |
|------------------|------------|-------------|------------|----------------------------|----|----|----|----|----|----|----|----|----|----|----|----|----|----|----|----|----|----|---|---|---|---|---|---|---|---|---|---|
| ID               | A          | A           | A          | A                          | A  | A  | A  | A  | A  | A  | A  | A  | A  | A  | A  | A  | A  | A  | A  | A  | A  | A  | A | A | A | A | A | A | A | A | A |   |
| Reset 0xFFFFFFFF | 1          | 1           | 1          | 1                          | 1  | 1  | 1  | 1  | 1  | 1  | 1  | 1  | 1  | 1  | 1  | 1  | 1  | 1  | 1  | 1  | 1  | 1  | 1 | 1 | 1 | 1 | 1 | 1 | 1 | 1 | 1 |   |
| ID               | Acce Field | Value ID    | Value      | Description                |    |    |    |    |    |    |    |    |    |    |    |    |    |    |    |    |    |    |   |   |   |   |   |   |   |   |   |   |
| A                | R PACKAGE  |             |            | Package option             |    |    |    |    |    |    |    |    |    |    |    |    |    |    |    |    |    |    |   |   |   |   |   |   |   |   |   |   |
|                  |            | QI          | 0x2004     | Qlxx - 7x7 73-pin aQFN     |    |    |    |    |    |    |    |    |    |    |    |    |    |    |    |    |    |    |   |   |   |   |   |   |   |   |   |   |
|                  |            | QF          | 0x2000     | QFxx - 6x6 48-pin QFN      |    |    |    |    |    |    |    |    |    |    |    |    |    |    |    |    |    |    |   |   |   |   |   |   |   |   |   |   |
|                  |            | CK          | 0x2005     | CKxx - 3.544 x 3.607 WLCSP |    |    |    |    |    |    |    |    |    |    |    |    |    |    |    |    |    |    |   |   |   |   |   |   |   |   |   |   |
|                  |            | Unspecified | 0xFFFFFFFF | Unspecified                |    |    |    |    |    |    |    |    |    |    |    |    |    |    |    |    |    |    |   |   |   |   |   |   |   |   |   |   |

#### 4.4.1.11 INFO.RAM

Address offset: 0x10C

RAM variant

| Bit number       | 31         | 30          | 29         | 28          | 27 | 26 | 25 | 24 | 23 | 22 | 21 | 20 | 19 | 18 | 17 | 16 | 15 | 14 | 13 | 12 | 11 | 10 | 9 | 8 | 7 | 6 | 5 | 4 | 3 | 2 | 1 | 0 |
|------------------|------------|-------------|------------|-------------|----|----|----|----|----|----|----|----|----|----|----|----|----|----|----|----|----|----|---|---|---|---|---|---|---|---|---|---|
| ID               | A          | A           | A          | A           | A  | A  | A  | A  | A  | A  | A  | A  | A  | A  | A  | A  | A  | A  | A  | A  | A  | A  | A | A | A | A | A | A | A | A | A |   |
| Reset 0xFFFFFFFF | 1          | 1           | 1          | 1           | 1  | 1  | 1  | 1  | 1  | 1  | 1  | 1  | 1  | 1  | 1  | 1  | 1  | 1  | 1  | 1  | 1  | 1  | 1 | 1 | 1 | 1 | 1 | 1 | 1 | 1 | 1 |   |
| ID               | Acce Field | Value ID    | Value      | Description |    |    |    |    |    |    |    |    |    |    |    |    |    |    |    |    |    |    |   |   |   |   |   |   |   |   |   |   |
| A                | R RAM      |             |            | RAM variant |    |    |    |    |    |    |    |    |    |    |    |    |    |    |    |    |    |    |   |   |   |   |   |   |   |   |   |   |
|                  |            | K16         | 0x10       | 16 kB RAM   |    |    |    |    |    |    |    |    |    |    |    |    |    |    |    |    |    |    |   |   |   |   |   |   |   |   |   |   |
|                  |            | K32         | 0x20       | 32 kB RAM   |    |    |    |    |    |    |    |    |    |    |    |    |    |    |    |    |    |    |   |   |   |   |   |   |   |   |   |   |
|                  |            | K64         | 0x40       | 64 kB RAM   |    |    |    |    |    |    |    |    |    |    |    |    |    |    |    |    |    |    |   |   |   |   |   |   |   |   |   |   |
|                  |            | K128        | 0x80       | 128 kB RAM  |    |    |    |    |    |    |    |    |    |    |    |    |    |    |    |    |    |    |   |   |   |   |   |   |   |   |   |   |
|                  |            | K256        | 0x100      | 256 kB RAM  |    |    |    |    |    |    |    |    |    |    |    |    |    |    |    |    |    |    |   |   |   |   |   |   |   |   |   |   |
|                  |            | Unspecified | 0xFFFFFFFF | Unspecified |    |    |    |    |    |    |    |    |    |    |    |    |    |    |    |    |    |    |   |   |   |   |   |   |   |   |   |   |

#### 4.4.1.12 INFO.FLASH

Address offset: 0x110

Flash variant

| Bit number       | 31 30 29 28 27 26 25 24 23 22 21 20 19 18 17 16 15 14 13 12 11 10 9 8 7 6 5 4 3 2 1 0 |             |            |               |  |  |  |  |  |  |  |  |  |  |  |  |  |  |  |  |  |  |  |  |  |  |  |  |  |  |  |  |
|------------------|---|-------------|------------|---------------|--|--|--|--|--|--|--|--|--|--|--|--|--|--|--|--|--|--|--|--|--|--|--|--|--|--|--|--|
| ID               | A           |             |            |               |  |  |  |  |  |  |  |  |  |  |  |  |  |  |  |  |  |  |  |  |  |  |  |  |  |  |  |  |
| Reset 0xFFFFFFFF | 1                   |             |            |               |  |  |  |  |  |  |  |  |  |  |  |  |  |  |  |  |  |  |  |  |  |  |  |  |  |  |  |  |
| ID               | Acce Field  | Value ID    | Value      | Description   |  |  |  |  |  |  |  |  |  |  |  |  |  |  |  |  |  |  |  |  |  |  |  |  |  |  |  |  |
| A                | R FLASH   |             |            | Flash variant |  |  |  |  |  |  |  |  |  |  |  |  |  |  |  |  |  |  |  |  |  |  |  |  |  |  |  |  |
|                  |   | K128        | 0x80       | 128 kB FLASH  |  |  |  |  |  |  |  |  |  |  |  |  |  |  |  |  |  |  |  |  |  |  |  |  |  |  |  |  |
|                  |   | K256        | 0x100      | 256 kB FLASH  |  |  |  |  |  |  |  |  |  |  |  |  |  |  |  |  |  |  |  |  |  |  |  |  |  |  |  |  |
|                  |   | K512        | 0x200      | 512 kB FLASH  |  |  |  |  |  |  |  |  |  |  |  |  |  |  |  |  |  |  |  |  |  |  |  |  |  |  |  |  |
|                  |   | K1024       | 0x400      | 1 MB FLASH    |  |  |  |  |  |  |  |  |  |  |  |  |  |  |  |  |  |  |  |  |  |  |  |  |  |  |  |  |
|                  |   | K2048       | 0x800      | 2 MB FLASH    |  |  |  |  |  |  |  |  |  |  |  |  |  |  |  |  |  |  |  |  |  |  |  |  |  |  |  |  |
|                  |   | Unspecified | 0xFFFFFFFF | Unspecified   |  |  |  |  |  |  |  |  |  |  |  |  |  |  |  |  |  |  |  |  |  |  |  |  |  |  |  |  |

#### 4.4.1.13 PRODTST[n] (n=0..2)

Address offset: 0x350 + (n × 0x4)

Production test signature n

| Bit number       | 31 30 29 28 27 26 25 24 23 22 21 20 19 18 17 16 15 14 13 12 11 10 9 8 7 6 5 4 3 2 1 0 |          |            |                             |  |  |  |  |  |  |  |  |  |  |  |  |  |  |  |  |  |  |  |  |  |  |  |  |  |  |  |  |
|------------------|---|----------|------------|-----------------------------|--|--|--|--|--|--|--|--|--|--|--|--|--|--|--|--|--|--|--|--|--|--|--|--|--|--|--|--|
| ID               | A           |          |            |                             |  |  |  |  |  |  |  |  |  |  |  |  |  |  |  |  |  |  |  |  |  |  |  |  |  |  |  |  |
| Reset 0xFFFFFFFF | 1                   |          |            |                             |  |  |  |  |  |  |  |  |  |  |  |  |  |  |  |  |  |  |  |  |  |  |  |  |  |  |  |  |
| ID               | Acce Field  | Value ID | Value      | Description                 |  |  |  |  |  |  |  |  |  |  |  |  |  |  |  |  |  |  |  |  |  |  |  |  |  |  |  |  |
| A                | R PRODTST   |          |            | Production test signature n |  |  |  |  |  |  |  |  |  |  |  |  |  |  |  |  |  |  |  |  |  |  |  |  |  |  |  |  |
|                  |   | Done     | 0xBB42319F | Production tests done       |  |  |  |  |  |  |  |  |  |  |  |  |  |  |  |  |  |  |  |  |  |  |  |  |  |  |  |  |
|                  |   | NotDone  | 0xFFFFFFFF | Production tests not done   |  |  |  |  |  |  |  |  |  |  |  |  |  |  |  |  |  |  |  |  |  |  |  |  |  |  |  |  |

#### 4.4.1.14 TEMP.A0

Address offset: 0x404

Slope definition A0

| Bit number       | 31 30 29 28 27 26 25 24 23 22 21 20 19 18 17 16 15 14 13 12 11 10 9 8 7 6 5 4 3 2 1 0 |          |       |                                |  |  |  |  |  |  |  |  |  |  |  |  |  |  |  |  |  |  |  |  |  |  |  |  |  |  |  |  |
|------------------|---|----------|-------|--------------------------------|--|--|--|--|--|--|--|--|--|--|--|--|--|--|--|--|--|--|--|--|--|--|--|--|--|--|--|--|
| ID               | A           |          |       |                                |  |  |  |  |  |  |  |  |  |  |  |  |  |  |  |  |  |  |  |  |  |  |  |  |  |  |  |  |
| Reset 0xFFFFFFFF | 1                   |          |       |                                |  |  |  |  |  |  |  |  |  |  |  |  |  |  |  |  |  |  |  |  |  |  |  |  |  |  |  |  |
| ID               | Acce Field  | Value ID | Value | Description                    |  |  |  |  |  |  |  |  |  |  |  |  |  |  |  |  |  |  |  |  |  |  |  |  |  |  |  |  |
| A                | R A   |          |       | A (slope definition) register. |  |  |  |  |  |  |  |  |  |  |  |  |  |  |  |  |  |  |  |  |  |  |  |  |  |  |  |  |

#### 4.4.1.15 TEMP.A1

Address offset: 0x408

Slope definition A1

| Bit number       | 31 30 29 28 27 26 25 24 23 22 21 20 19 18 17 16 15 14 13 12 11 10 9 8 7 6 5 4 3 2 1 0 |          |       |                                |  |  |  |  |  |  |  |  |  |  |  |  |  |  |  |  |  |  |  |  |  |  |  |  |  |  |  |  |
|------------------|---|----------|-------|--------------------------------|--|--|--|--|--|--|--|--|--|--|--|--|--|--|--|--|--|--|--|--|--|--|--|--|--|--|--|--|
| ID               | A           |          |       |                                |  |  |  |  |  |  |  |  |  |  |  |  |  |  |  |  |  |  |  |  |  |  |  |  |  |  |  |  |
| Reset 0xFFFFFFFF | 1                   |          |       |                                |  |  |  |  |  |  |  |  |  |  |  |  |  |  |  |  |  |  |  |  |  |  |  |  |  |  |  |  |
| ID               | Acce Field  | Value ID | Value | Description                    |  |  |  |  |  |  |  |  |  |  |  |  |  |  |  |  |  |  |  |  |  |  |  |  |  |  |  |  |
| A                | R A   |          |       | A (slope definition) register. |  |  |  |  |  |  |  |  |  |  |  |  |  |  |  |  |  |  |  |  |  |  |  |  |  |  |  |  |

#### 4.4.1.16 TEMP.A2

Address offset: 0x40C

Slope definition A2



| Bit number              | 31       | 30       | 29       | 28       | 27                             | 26       | 25       | 24       | 23       | 22       | 21       | 20       | 19       | 18       | 17       | 16       | 15       | 14       | 13       | 12       | 11       | 10       | 9        | 8        | 7        | 6        | 5        | 4        | 3        | 2        | 1        | 0 |   |   |   |   |   |   |   |   |   |   |   |   |   |   |   |   |   |   |   |   |
|-------------------------|----------|----------|----------|----------|--------------------------------|----------|----------|----------|----------|----------|----------|----------|----------|----------|----------|----------|----------|----------|----------|----------|----------|----------|----------|----------|----------|----------|----------|----------|----------|----------|----------|---|---|---|---|---|---|---|---|---|---|---|---|---|---|---|---|---|---|---|---|---|
| ID                      |          |          |          |          |                                |          |          |          |          |          |          |          |          |          |          |          |          |          |          |          |          |          | A        | A        | A        | A        | A        | A        | A        | A        | A        | A | A | A | A | A | A | A | A | A | A | A | A | A | A | A | A | A | A | A | A | A |
| <b>Reset 0xFFFFFFFF</b> | <b>1</b> | <b>1</b> | <b>1</b> | <b>1</b> | <b>1</b>                       | <b>1</b> | <b>1</b> | <b>1</b> | <b>1</b> | <b>1</b> | <b>1</b> | <b>1</b> | <b>1</b> | <b>1</b> | <b>1</b> | <b>1</b> | <b>1</b> | <b>1</b> | <b>1</b> | <b>1</b> | <b>1</b> | <b>1</b> | <b>1</b> | <b>1</b> | <b>1</b> | <b>1</b> | <b>1</b> | <b>1</b> | <b>1</b> | <b>1</b> | <b>1</b> |   |   |   |   |   |   |   |   |   |   |   |   |   |   |   |   |   |   |   |   |   |
| ID                      | Acce     | Field    | Value ID | Value    | Description                    |          |          |          |          |          |          |          |          |          |          |          |          |          |          |          |          |          |          |          |          |          |          |          |          |          |          |   |   |   |   |   |   |   |   |   |   |   |   |   |   |   |   |   |   |   |   |   |
| A                       | R        | A        |          |          | A (slope definition) register. |          |          |          |          |          |          |          |          |          |          |          |          |          |          |          |          |          |          |          |          |          |          |          |          |          |          |   |   |   |   |   |   |   |   |   |   |   |   |   |   |   |   |   |   |   |   |   |

#### 4.4.1.17 TEMP.A3

Address offset: 0x410

Slope definition A3

| Bit number              | 31       | 30       | 29       | 28       | 27                             | 26       | 25       | 24       | 23       | 22       | 21       | 20       | 19       | 18       | 17       | 16       | 15       | 14       | 13       | 12       | 11       | 10       | 9        | 8        | 7        | 6        | 5        | 4        | 3        | 2        | 1 | 0 |   |   |   |   |   |   |   |   |   |   |   |   |   |   |   |   |   |   |   |   |
|-------------------------|----------|----------|----------|----------|--------------------------------|----------|----------|----------|----------|----------|----------|----------|----------|----------|----------|----------|----------|----------|----------|----------|----------|----------|----------|----------|----------|----------|----------|----------|----------|----------|---|---|---|---|---|---|---|---|---|---|---|---|---|---|---|---|---|---|---|---|---|---|
| ID                      |          |          |          |          |                                |          |          |          |          |          |          |          |          |          |          |          |          |          |          |          |          |          | A        | A        | A        | A        | A        | A        | A        | A        | A | A | A | A | A | A | A | A | A | A | A | A | A | A | A | A | A | A | A | A | A | A |
| <b>Reset 0xFFFFFFFF</b> | <b>1</b> | <b>1</b> | <b>1</b> | <b>1</b> | <b>1</b>                       | <b>1</b> | <b>1</b> | <b>1</b> | <b>1</b> | <b>1</b> | <b>1</b> | <b>1</b> | <b>1</b> | <b>1</b> | <b>1</b> | <b>1</b> | <b>1</b> | <b>1</b> | <b>1</b> | <b>1</b> | <b>1</b> | <b>1</b> | <b>1</b> | <b>1</b> | <b>1</b> | <b>1</b> | <b>1</b> | <b>1</b> | <b>1</b> | <b>1</b> |   |   |   |   |   |   |   |   |   |   |   |   |   |   |   |   |   |   |   |   |   |   |
| ID                      | Acce     | Field    | Value ID | Value    | Description                    |          |          |          |          |          |          |          |          |          |          |          |          |          |          |          |          |          |          |          |          |          |          |          |          |          |   |   |   |   |   |   |   |   |   |   |   |   |   |   |   |   |   |   |   |   |   |   |
| A                       | R        | A        |          |          | A (slope definition) register. |          |          |          |          |          |          |          |          |          |          |          |          |          |          |          |          |          |          |          |          |          |          |          |          |          |   |   |   |   |   |   |   |   |   |   |   |   |   |   |   |   |   |   |   |   |   |   |

#### 4.4.1.18 TEMP.A4

Address offset: 0x414

Slope definition A4

| Bit number              | 31       | 30       | 29       | 28       | 27                             | 26       | 25       | 24       | 23       | 22       | 21       | 20       | 19       | 18       | 17       | 16       | 15       | 14       | 13       | 12       | 11       | 10       | 9        | 8        | 7        | 6        | 5        | 4        | 3        | 2        | 1 | 0 |   |   |   |   |   |   |   |   |   |   |   |   |   |   |   |   |   |   |   |   |
|-------------------------|----------|----------|----------|----------|--------------------------------|----------|----------|----------|----------|----------|----------|----------|----------|----------|----------|----------|----------|----------|----------|----------|----------|----------|----------|----------|----------|----------|----------|----------|----------|----------|---|---|---|---|---|---|---|---|---|---|---|---|---|---|---|---|---|---|---|---|---|---|
| ID                      |          |          |          |          |                                |          |          |          |          |          |          |          |          |          |          |          |          |          |          |          |          |          | A        | A        | A        | A        | A        | A        | A        | A        | A | A | A | A | A | A | A | A | A | A | A | A | A | A | A | A | A | A | A | A | A | A |
| <b>Reset 0xFFFFFFFF</b> | <b>1</b> | <b>1</b> | <b>1</b> | <b>1</b> | <b>1</b>                       | <b>1</b> | <b>1</b> | <b>1</b> | <b>1</b> | <b>1</b> | <b>1</b> | <b>1</b> | <b>1</b> | <b>1</b> | <b>1</b> | <b>1</b> | <b>1</b> | <b>1</b> | <b>1</b> | <b>1</b> | <b>1</b> | <b>1</b> | <b>1</b> | <b>1</b> | <b>1</b> | <b>1</b> | <b>1</b> | <b>1</b> | <b>1</b> | <b>1</b> |   |   |   |   |   |   |   |   |   |   |   |   |   |   |   |   |   |   |   |   |   |   |
| ID                      | Acce     | Field    | Value ID | Value    | Description                    |          |          |          |          |          |          |          |          |          |          |          |          |          |          |          |          |          |          |          |          |          |          |          |          |          |   |   |   |   |   |   |   |   |   |   |   |   |   |   |   |   |   |   |   |   |   |   |
| A                       | R        | A        |          |          | A (slope definition) register. |          |          |          |          |          |          |          |          |          |          |          |          |          |          |          |          |          |          |          |          |          |          |          |          |          |   |   |   |   |   |   |   |   |   |   |   |   |   |   |   |   |   |   |   |   |   |   |

#### 4.4.1.19 TEMP.A5

Address offset: 0x418

Slope definition A5

| Bit number              | 31       | 30       | 29       | 28       | 27                             | 26       | 25       | 24       | 23       | 22       | 21       | 20       | 19       | 18       | 17       | 16       | 15       | 14       | 13       | 12       | 11       | 10       | 9        | 8        | 7        | 6        | 5        | 4        | 3        | 2        | 1 | 0 |   |   |   |   |   |   |   |   |   |   |   |   |   |   |   |   |   |   |   |   |
|-------------------------|----------|----------|----------|----------|--------------------------------|----------|----------|----------|----------|----------|----------|----------|----------|----------|----------|----------|----------|----------|----------|----------|----------|----------|----------|----------|----------|----------|----------|----------|----------|----------|---|---|---|---|---|---|---|---|---|---|---|---|---|---|---|---|---|---|---|---|---|---|
| ID                      |          |          |          |          |                                |          |          |          |          |          |          |          |          |          |          |          |          |          |          |          |          |          | A        | A        | A        | A        | A        | A        | A        | A        | A | A | A | A | A | A | A | A | A | A | A | A | A | A | A | A | A | A | A | A | A | A |
| <b>Reset 0xFFFFFFFF</b> | <b>1</b> | <b>1</b> | <b>1</b> | <b>1</b> | <b>1</b>                       | <b>1</b> | <b>1</b> | <b>1</b> | <b>1</b> | <b>1</b> | <b>1</b> | <b>1</b> | <b>1</b> | <b>1</b> | <b>1</b> | <b>1</b> | <b>1</b> | <b>1</b> | <b>1</b> | <b>1</b> | <b>1</b> | <b>1</b> | <b>1</b> | <b>1</b> | <b>1</b> | <b>1</b> | <b>1</b> | <b>1</b> | <b>1</b> | <b>1</b> |   |   |   |   |   |   |   |   |   |   |   |   |   |   |   |   |   |   |   |   |   |   |
| ID                      | Acce     | Field    | Value ID | Value    | Description                    |          |          |          |          |          |          |          |          |          |          |          |          |          |          |          |          |          |          |          |          |          |          |          |          |          |   |   |   |   |   |   |   |   |   |   |   |   |   |   |   |   |   |   |   |   |   |   |
| A                       | R        | A        |          |          | A (slope definition) register. |          |          |          |          |          |          |          |          |          |          |          |          |          |          |          |          |          |          |          |          |          |          |          |          |          |   |   |   |   |   |   |   |   |   |   |   |   |   |   |   |   |   |   |   |   |   |   |

#### 4.4.1.20 TEMP.B0

Address offset: 0x41C

Y-intercept B0

|                  |      |       |          |       |                 |    |    |    |    |    |    |    |    |    |    |    |    |    |    |    |    |    |   |   |   |   |   |   |   |   |   |   |   |   |   |   |   |   |   |   |   |   |   |   |   |   |   |   |   |   |   |   |   |   |
|------------------|------|-------|----------|-------|-----------------|----|----|----|----|----|----|----|----|----|----|----|----|----|----|----|----|----|---|---|---|---|---|---|---|---|---|---|---|---|---|---|---|---|---|---|---|---|---|---|---|---|---|---|---|---|---|---|---|---|
| Bit number       | 31   | 30    | 29       | 28    | 27              | 26 | 25 | 24 | 23 | 22 | 21 | 20 | 19 | 18 | 17 | 16 | 15 | 14 | 13 | 12 | 11 | 10 | 9 | 8 | 7 | 6 | 5 | 4 | 3 | 2 | 1 | 0 |   |   |   |   |   |   |   |   |   |   |   |   |   |   |   |   |   |   |   |   |   |   |
| ID               |      |       |          |       |                 |    |    |    |    |    |    |    |    |    |    |    |    |    |    |    |    |    |   | A | A | A | A | A | A | A | A | A | A | A | A | A | A | A | A | A | A | A | A | A | A | A | A | A | A | A | A | A | A | A |
| Reset 0xFFFFFFFF | 1    | 1     | 1        | 1     | 1               | 1  | 1  | 1  | 1  | 1  | 1  | 1  | 1  | 1  | 1  | 1  | 1  | 1  | 1  | 1  | 1  | 1  | 1 | 1 | 1 | 1 | 1 | 1 | 1 | 1 | 1 | 1 | 1 |   |   |   |   |   |   |   |   |   |   |   |   |   |   |   |   |   |   |   |   |   |
| ID               | Acce | Field | Value ID | Value | Description     |    |    |    |    |    |    |    |    |    |    |    |    |    |    |    |    |    |   |   |   |   |   |   |   |   |   |   |   |   |   |   |   |   |   |   |   |   |   |   |   |   |   |   |   |   |   |   |   |   |
| A                | R    | B     |          |       | B (y-intercept) |    |    |    |    |    |    |    |    |    |    |    |    |    |    |    |    |    |   |   |   |   |   |   |   |   |   |   |   |   |   |   |   |   |   |   |   |   |   |   |   |   |   |   |   |   |   |   |   |   |

#### 4.4.1.21 TEMP.B1

Address offset: 0x420

Y-intercept B1

|                  |      |       |          |       |                 |    |    |    |    |    |    |    |    |    |    |    |    |    |    |    |    |    |   |   |   |   |   |   |   |   |   |   |   |   |   |   |   |   |   |   |   |   |   |   |   |   |   |   |   |   |   |   |   |
|------------------|------|-------|----------|-------|-----------------|----|----|----|----|----|----|----|----|----|----|----|----|----|----|----|----|----|---|---|---|---|---|---|---|---|---|---|---|---|---|---|---|---|---|---|---|---|---|---|---|---|---|---|---|---|---|---|---|
| Bit number       | 31   | 30    | 29       | 28    | 27              | 26 | 25 | 24 | 23 | 22 | 21 | 20 | 19 | 18 | 17 | 16 | 15 | 14 | 13 | 12 | 11 | 10 | 9 | 8 | 7 | 6 | 5 | 4 | 3 | 2 | 1 | 0 |   |   |   |   |   |   |   |   |   |   |   |   |   |   |   |   |   |   |   |   |   |
| ID               |      |       |          |       |                 |    |    |    |    |    |    |    |    |    |    |    |    |    |    |    |    |    |   | A | A | A | A | A | A | A | A | A | A | A | A | A | A | A | A | A | A | A | A | A | A | A | A | A | A | A | A | A | A |
| Reset 0xFFFFFFFF | 1    | 1     | 1        | 1     | 1               | 1  | 1  | 1  | 1  | 1  | 1  | 1  | 1  | 1  | 1  | 1  | 1  | 1  | 1  | 1  | 1  | 1  | 1 | 1 | 1 | 1 | 1 | 1 | 1 | 1 | 1 | 1 |   |   |   |   |   |   |   |   |   |   |   |   |   |   |   |   |   |   |   |   |   |
| ID               | Acce | Field | Value ID | Value | Description     |    |    |    |    |    |    |    |    |    |    |    |    |    |    |    |    |    |   |   |   |   |   |   |   |   |   |   |   |   |   |   |   |   |   |   |   |   |   |   |   |   |   |   |   |   |   |   |   |
| A                | R    | B     |          |       | B (y-intercept) |    |    |    |    |    |    |    |    |    |    |    |    |    |    |    |    |    |   |   |   |   |   |   |   |   |   |   |   |   |   |   |   |   |   |   |   |   |   |   |   |   |   |   |   |   |   |   |   |

#### 4.4.1.22 TEMP.B2

Address offset: 0x424

Y-intercept B2

|                  |      |       |          |       |                 |    |    |    |    |    |    |    |    |    |    |    |    |    |    |    |    |    |   |   |   |   |   |   |   |   |   |   |   |   |   |   |   |   |   |   |   |   |   |   |   |   |   |   |   |   |   |   |   |
|------------------|------|-------|----------|-------|-----------------|----|----|----|----|----|----|----|----|----|----|----|----|----|----|----|----|----|---|---|---|---|---|---|---|---|---|---|---|---|---|---|---|---|---|---|---|---|---|---|---|---|---|---|---|---|---|---|---|
| Bit number       | 31   | 30    | 29       | 28    | 27              | 26 | 25 | 24 | 23 | 22 | 21 | 20 | 19 | 18 | 17 | 16 | 15 | 14 | 13 | 12 | 11 | 10 | 9 | 8 | 7 | 6 | 5 | 4 | 3 | 2 | 1 | 0 |   |   |   |   |   |   |   |   |   |   |   |   |   |   |   |   |   |   |   |   |   |
| ID               |      |       |          |       |                 |    |    |    |    |    |    |    |    |    |    |    |    |    |    |    |    |    |   | A | A | A | A | A | A | A | A | A | A | A | A | A | A | A | A | A | A | A | A | A | A | A | A | A | A | A | A | A | A |
| Reset 0xFFFFFFFF | 1    | 1     | 1        | 1     | 1               | 1  | 1  | 1  | 1  | 1  | 1  | 1  | 1  | 1  | 1  | 1  | 1  | 1  | 1  | 1  | 1  | 1  | 1 | 1 | 1 | 1 | 1 | 1 | 1 | 1 | 1 | 1 |   |   |   |   |   |   |   |   |   |   |   |   |   |   |   |   |   |   |   |   |   |
| ID               | Acce | Field | Value ID | Value | Description     |    |    |    |    |    |    |    |    |    |    |    |    |    |    |    |    |    |   |   |   |   |   |   |   |   |   |   |   |   |   |   |   |   |   |   |   |   |   |   |   |   |   |   |   |   |   |   |   |
| A                | R    | B     |          |       | B (y-intercept) |    |    |    |    |    |    |    |    |    |    |    |    |    |    |    |    |    |   |   |   |   |   |   |   |   |   |   |   |   |   |   |   |   |   |   |   |   |   |   |   |   |   |   |   |   |   |   |   |

#### 4.4.1.23 TEMP.B3

Address offset: 0x428

Y-intercept B3

|                  |      |       |          |       |                 |    |    |    |    |    |    |    |    |    |    |    |    |    |    |    |    |    |   |   |   |   |   |   |   |   |   |   |   |   |   |   |   |   |   |   |   |   |   |   |   |   |   |   |   |   |   |   |   |
|------------------|------|-------|----------|-------|-----------------|----|----|----|----|----|----|----|----|----|----|----|----|----|----|----|----|----|---|---|---|---|---|---|---|---|---|---|---|---|---|---|---|---|---|---|---|---|---|---|---|---|---|---|---|---|---|---|---|
| Bit number       | 31   | 30    | 29       | 28    | 27              | 26 | 25 | 24 | 23 | 22 | 21 | 20 | 19 | 18 | 17 | 16 | 15 | 14 | 13 | 12 | 11 | 10 | 9 | 8 | 7 | 6 | 5 | 4 | 3 | 2 | 1 | 0 |   |   |   |   |   |   |   |   |   |   |   |   |   |   |   |   |   |   |   |   |   |
| ID               |      |       |          |       |                 |    |    |    |    |    |    |    |    |    |    |    |    |    |    |    |    |    |   | A | A | A | A | A | A | A | A | A | A | A | A | A | A | A | A | A | A | A | A | A | A | A | A | A | A | A | A | A | A |
| Reset 0xFFFFFFFF | 1    | 1     | 1        | 1     | 1               | 1  | 1  | 1  | 1  | 1  | 1  | 1  | 1  | 1  | 1  | 1  | 1  | 1  | 1  | 1  | 1  | 1  | 1 | 1 | 1 | 1 | 1 | 1 | 1 | 1 | 1 | 1 |   |   |   |   |   |   |   |   |   |   |   |   |   |   |   |   |   |   |   |   |   |
| ID               | Acce | Field | Value ID | Value | Description     |    |    |    |    |    |    |    |    |    |    |    |    |    |    |    |    |    |   |   |   |   |   |   |   |   |   |   |   |   |   |   |   |   |   |   |   |   |   |   |   |   |   |   |   |   |   |   |   |
| A                | R    | B     |          |       | B (y-intercept) |    |    |    |    |    |    |    |    |    |    |    |    |    |    |    |    |    |   |   |   |   |   |   |   |   |   |   |   |   |   |   |   |   |   |   |   |   |   |   |   |   |   |   |   |   |   |   |   |

#### 4.4.1.24 TEMP.B4

Address offset: 0x42C

Y-intercept B4

|                  |      |       |          |       |                 |    |    |    |    |    |    |    |    |    |    |    |    |    |    |    |    |    |   |   |   |   |   |   |   |   |   |   |   |   |   |   |   |   |   |   |   |   |   |   |   |   |   |   |   |   |   |   |   |
|------------------|------|-------|----------|-------|-----------------|----|----|----|----|----|----|----|----|----|----|----|----|----|----|----|----|----|---|---|---|---|---|---|---|---|---|---|---|---|---|---|---|---|---|---|---|---|---|---|---|---|---|---|---|---|---|---|---|
| Bit number       | 31   | 30    | 29       | 28    | 27              | 26 | 25 | 24 | 23 | 22 | 21 | 20 | 19 | 18 | 17 | 16 | 15 | 14 | 13 | 12 | 11 | 10 | 9 | 8 | 7 | 6 | 5 | 4 | 3 | 2 | 1 | 0 |   |   |   |   |   |   |   |   |   |   |   |   |   |   |   |   |   |   |   |   |   |
| ID               |      |       |          |       |                 |    |    |    |    |    |    |    |    |    |    |    |    |    |    |    |    |    |   | A | A | A | A | A | A | A | A | A | A | A | A | A | A | A | A | A | A | A | A | A | A | A | A | A | A | A | A | A | A |
| Reset 0xFFFFFFFF | 1    | 1     | 1        | 1     | 1               | 1  | 1  | 1  | 1  | 1  | 1  | 1  | 1  | 1  | 1  | 1  | 1  | 1  | 1  | 1  | 1  | 1  | 1 | 1 | 1 | 1 | 1 | 1 | 1 | 1 | 1 | 1 |   |   |   |   |   |   |   |   |   |   |   |   |   |   |   |   |   |   |   |   |   |
| ID               | Acce | Field | Value ID | Value | Description     |    |    |    |    |    |    |    |    |    |    |    |    |    |    |    |    |    |   |   |   |   |   |   |   |   |   |   |   |   |   |   |   |   |   |   |   |   |   |   |   |   |   |   |   |   |   |   |   |
| A                | R    | B     |          |       | B (y-intercept) |    |    |    |    |    |    |    |    |    |    |    |    |    |    |    |    |    |   |   |   |   |   |   |   |   |   |   |   |   |   |   |   |   |   |   |   |   |   |   |   |   |   |   |   |   |   |   |   |

#### 4.4.1.25 TEMP.B5

Address offset: 0x430

Y-intercept B5

| Bit number       | 31         | 30       | 29    | 28              | 27 | 26 | 25 | 24 | 23 | 22 | 21 | 20 | 19 | 18 | 17 | 16 | 15 | 14 | 13 | 12 | 11 | 10 | 9 | 8 | 7 | 6 | 5 | 4 | 3 | 2 | 1 | 0 |   |   |   |   |   |   |   |   |   |   |   |   |   |   |   |   |   |   |   |   |   |
|------------------|------------|----------|-------|-----------------|----|----|----|----|----|----|----|----|----|----|----|----|----|----|----|----|----|----|---|---|---|---|---|---|---|---|---|---|---|---|---|---|---|---|---|---|---|---|---|---|---|---|---|---|---|---|---|---|---|
| ID               |            |          |       |                 |    |    |    |    |    |    |    |    |    |    |    |    |    |    |    |    |    |    |   | A | A | A | A | A | A | A | A | A | A | A | A | A | A | A | A | A | A | A | A | A | A | A | A | A | A | A | A | A | A |
| Reset 0xFFFFFFFF | 1          | 1        | 1     | 1               | 1  | 1  | 1  | 1  | 1  | 1  | 1  | 1  | 1  | 1  | 1  | 1  | 1  | 1  | 1  | 1  | 1  | 1  | 1 | 1 | 1 | 1 | 1 | 1 | 1 | 1 | 1 |   |   |   |   |   |   |   |   |   |   |   |   |   |   |   |   |   |   |   |   |   |   |
| ID               | Acce Field | Value ID | Value | Description     |    |    |    |    |    |    |    |    |    |    |    |    |    |    |    |    |    |    |   |   |   |   |   |   |   |   |   |   |   |   |   |   |   |   |   |   |   |   |   |   |   |   |   |   |   |   |   |   |   |
| A                | R          | B        |       | B (y-intercept) |    |    |    |    |    |    |    |    |    |    |    |    |    |    |    |    |    |    |   |   |   |   |   |   |   |   |   |   |   |   |   |   |   |   |   |   |   |   |   |   |   |   |   |   |   |   |   |   |   |

#### 4.4.1.26 TEMP.T0

Address offset: 0x434

Segment end T0

| Bit number       | 31         | 30       | 29    | 28                       | 27 | 26 | 25 | 24 | 23 | 22 | 21 | 20 | 19 | 18 | 17 | 16 | 15 | 14 | 13 | 12 | 11 | 10 | 9 | 8 | 7 | 6 | 5 | 4 | 3 | 2 | 1 | 0 |   |   |   |   |   |   |   |   |   |   |   |   |   |   |   |   |   |   |   |   |
|------------------|------------|----------|-------|--------------------------|----|----|----|----|----|----|----|----|----|----|----|----|----|----|----|----|----|----|---|---|---|---|---|---|---|---|---|---|---|---|---|---|---|---|---|---|---|---|---|---|---|---|---|---|---|---|---|---|
| ID               |            |          |       |                          |    |    |    |    |    |    |    |    |    |    |    |    |    |    |    |    |    |    |   | A | A | A | A | A | A | A | A | A | A | A | A | A | A | A | A | A | A | A | A | A | A | A | A | A | A | A | A | A |
| Reset 0xFFFFFFFF | 1          | 1        | 1     | 1                        | 1  | 1  | 1  | 1  | 1  | 1  | 1  | 1  | 1  | 1  | 1  | 1  | 1  | 1  | 1  | 1  | 1  | 1  | 1 | 1 | 1 | 1 | 1 | 1 | 1 | 1 | 1 |   |   |   |   |   |   |   |   |   |   |   |   |   |   |   |   |   |   |   |   |   |
| ID               | Acce Field | Value ID | Value | Description              |    |    |    |    |    |    |    |    |    |    |    |    |    |    |    |    |    |    |   |   |   |   |   |   |   |   |   |   |   |   |   |   |   |   |   |   |   |   |   |   |   |   |   |   |   |   |   |   |
| A                | R          | T        |       | T (segment end) register |    |    |    |    |    |    |    |    |    |    |    |    |    |    |    |    |    |    |   |   |   |   |   |   |   |   |   |   |   |   |   |   |   |   |   |   |   |   |   |   |   |   |   |   |   |   |   |   |

#### 4.4.1.27 TEMP.T1

Address offset: 0x438

Segment end T1

| Bit number       | 31         | 30       | 29    | 28                       | 27 | 26 | 25 | 24 | 23 | 22 | 21 | 20 | 19 | 18 | 17 | 16 | 15 | 14 | 13 | 12 | 11 | 10 | 9 | 8 | 7 | 6 | 5 | 4 | 3 | 2 | 1 | 0 |   |   |   |   |   |   |   |   |   |   |   |   |   |   |   |   |   |   |   |   |
|------------------|------------|----------|-------|--------------------------|----|----|----|----|----|----|----|----|----|----|----|----|----|----|----|----|----|----|---|---|---|---|---|---|---|---|---|---|---|---|---|---|---|---|---|---|---|---|---|---|---|---|---|---|---|---|---|---|
| ID               |            |          |       |                          |    |    |    |    |    |    |    |    |    |    |    |    |    |    |    |    |    |    |   | A | A | A | A | A | A | A | A | A | A | A | A | A | A | A | A | A | A | A | A | A | A | A | A | A | A | A | A | A |
| Reset 0xFFFFFFFF | 1          | 1        | 1     | 1                        | 1  | 1  | 1  | 1  | 1  | 1  | 1  | 1  | 1  | 1  | 1  | 1  | 1  | 1  | 1  | 1  | 1  | 1  | 1 | 1 | 1 | 1 | 1 | 1 | 1 | 1 | 1 |   |   |   |   |   |   |   |   |   |   |   |   |   |   |   |   |   |   |   |   |   |
| ID               | Acce Field | Value ID | Value | Description              |    |    |    |    |    |    |    |    |    |    |    |    |    |    |    |    |    |    |   |   |   |   |   |   |   |   |   |   |   |   |   |   |   |   |   |   |   |   |   |   |   |   |   |   |   |   |   |   |
| A                | R          | T        |       | T (segment end) register |    |    |    |    |    |    |    |    |    |    |    |    |    |    |    |    |    |    |   |   |   |   |   |   |   |   |   |   |   |   |   |   |   |   |   |   |   |   |   |   |   |   |   |   |   |   |   |   |

#### 4.4.1.28 TEMP.T2

Address offset: 0x43C

Segment end T2

| Bit number       | 31         | 30       | 29    | 28                       | 27 | 26 | 25 | 24 | 23 | 22 | 21 | 20 | 19 | 18 | 17 | 16 | 15 | 14 | 13 | 12 | 11 | 10 | 9 | 8 | 7 | 6 | 5 | 4 | 3 | 2 | 1 | 0 |   |   |   |   |   |   |   |   |   |   |   |   |   |   |   |   |   |   |   |   |
|------------------|------------|----------|-------|--------------------------|----|----|----|----|----|----|----|----|----|----|----|----|----|----|----|----|----|----|---|---|---|---|---|---|---|---|---|---|---|---|---|---|---|---|---|---|---|---|---|---|---|---|---|---|---|---|---|---|
| ID               |            |          |       |                          |    |    |    |    |    |    |    |    |    |    |    |    |    |    |    |    |    |    |   | A | A | A | A | A | A | A | A | A | A | A | A | A | A | A | A | A | A | A | A | A | A | A | A | A | A | A | A | A |
| Reset 0xFFFFFFFF | 1          | 1        | 1     | 1                        | 1  | 1  | 1  | 1  | 1  | 1  | 1  | 1  | 1  | 1  | 1  | 1  | 1  | 1  | 1  | 1  | 1  | 1  | 1 | 1 | 1 | 1 | 1 | 1 | 1 | 1 | 1 |   |   |   |   |   |   |   |   |   |   |   |   |   |   |   |   |   |   |   |   |   |
| ID               | Acce Field | Value ID | Value | Description              |    |    |    |    |    |    |    |    |    |    |    |    |    |    |    |    |    |    |   |   |   |   |   |   |   |   |   |   |   |   |   |   |   |   |   |   |   |   |   |   |   |   |   |   |   |   |   |   |
| A                | R          | T        |       | T (segment end) register |    |    |    |    |    |    |    |    |    |    |    |    |    |    |    |    |    |    |   |   |   |   |   |   |   |   |   |   |   |   |   |   |   |   |   |   |   |   |   |   |   |   |   |   |   |   |   |   |

#### 4.4.1.29 TEMP.T3

Address offset: 0x440

Segment end T3

|                  |   |          |       |                          |    |    |    |    |    |    |    |    |    |    |    |    |    |    |    |    |    |    |   |   |   |   |   |   |   |   |   |   |
|------------------|---|----------|-------|--------------------------|----|----|----|----|----|----|----|----|----|----|----|----|----|----|----|----|----|----|---|---|---|---|---|---|---|---|---|---|
| Bit number       | 31  | 30       | 29    | 28                       | 27 | 26 | 25 | 24 | 23 | 22 | 21 | 20 | 19 | 18 | 17 | 16 | 15 | 14 | 13 | 12 | 11 | 10 | 9 | 8 | 7 | 6 | 5 | 4 | 3 | 2 | 1 | 0 |
| ID               | A A A A A A A A   |          |       |                          |    |    |    |    |    |    |    |    |    |    |    |    |    |    |    |    |    |    |   |   |   |   |   |   |   |   |   |   |
| Reset 0xFFFFFFFF | 1 |          |       |                          |    |    |    |    |    |    |    |    |    |    |    |    |    |    |    |    |    |    |   |   |   |   |   |   |   |   |   |   |
| ID               | Acce Field  | Value ID | Value | Description              |    |    |    |    |    |    |    |    |    |    |    |    |    |    |    |    |    |    |   |   |   |   |   |   |   |   |   |   |
| A                | R   | T        |       | T (segment end) register |    |    |    |    |    |    |    |    |    |    |    |    |    |    |    |    |    |    |   |   |   |   |   |   |   |   |   |   |

#### 4.4.1.30 TEMPT4

Address offset: 0x444

Segment end T4

|                  |   |          |       |                          |    |    |    |    |    |    |    |    |    |    |    |    |    |    |    |    |    |    |   |   |   |   |   |   |   |   |   |   |
|------------------|---|----------|-------|--------------------------|----|----|----|----|----|----|----|----|----|----|----|----|----|----|----|----|----|----|---|---|---|---|---|---|---|---|---|---|
| Bit number       | 31  | 30       | 29    | 28                       | 27 | 26 | 25 | 24 | 23 | 22 | 21 | 20 | 19 | 18 | 17 | 16 | 15 | 14 | 13 | 12 | 11 | 10 | 9 | 8 | 7 | 6 | 5 | 4 | 3 | 2 | 1 | 0 |
| ID               | A A A A A A A A   |          |       |                          |    |    |    |    |    |    |    |    |    |    |    |    |    |    |    |    |    |    |   |   |   |   |   |   |   |   |   |   |
| Reset 0xFFFFFFFF | 1 |          |       |                          |    |    |    |    |    |    |    |    |    |    |    |    |    |    |    |    |    |    |   |   |   |   |   |   |   |   |   |   |
| ID               | Acce Field  | Value ID | Value | Description              |    |    |    |    |    |    |    |    |    |    |    |    |    |    |    |    |    |    |   |   |   |   |   |   |   |   |   |   |
| A                | R   | T        |       | T (segment end) register |    |    |    |    |    |    |    |    |    |    |    |    |    |    |    |    |    |    |   |   |   |   |   |   |   |   |   |   |

#### 4.4.1.31 NFC.TAGHEADER0

Address offset: 0x450

Default header for NFC tag. Software can read these values to populate NFCID1\_3RD\_LAST, NFCID1\_2ND\_LAST, and NFCID1\_LAST.

|                 |   |          |       |  |    |    |    |    |    |    |    |    |    |    |    |    |    |    |    |    |    |    |   |   |   |   |   |   |   |   |   |   |
|-----------------|---|----------|-------|--|----|----|----|----|----|----|----|----|----|----|----|----|----|----|----|----|----|----|---|---|---|---|---|---|---|---|---|---|
| Bit number      | 31  | 30       | 29    | 28   | 27 | 26 | 25 | 24 | 23 | 22 | 21 | 20 | 19 | 18 | 17 | 16 | 15 | 14 | 13 | 12 | 11 | 10 | 9 | 8 | 7 | 6 | 5 | 4 | 3 | 2 | 1 | 0 |
| ID              | D   | D        | D     | D  | D  | D  | D  | D  | C  | C  | C  | C  | C  | C  | C  | C  | B  | B  | B  | B  | B  | B  | B | B | A | A | A | A | A | A | A | A |
| Reset 0xFFFFF5F | 1 0 1 0 1 1 1 1 1 1 |          |       |  |    |    |    |    |    |    |    |    |    |    |    |    |    |    |    |    |    |    |   |   |   |   |   |   |   |   |   |   |
| ID              | Acce Field  | Value ID | Value | Description  |    |    |    |    |    |    |    |    |    |    |    |    |    |    |    |    |    |    |   |   |   |   |   |   |   |   |   |   |
| A               | R   | MFGID    |       | Default Manufacturer ID: Nordic Semiconductor ASA has ICM 0x5F |    |    |    |    |    |    |    |    |    |    |    |    |    |    |    |    |    |    |   |   |   |   |   |   |   |   |   |   |
| B               | R   | UD1      |       | Unique identifier byte 1                                       |    |    |    |    |    |    |    |    |    |    |    |    |    |    |    |    |    |    |   |   |   |   |   |   |   |   |   |   |
| C               | R   | UD2      |       | Unique identifier byte 2                                       |    |    |    |    |    |    |    |    |    |    |    |    |    |    |    |    |    |    |   |   |   |   |   |   |   |   |   |   |
| D               | R   | UD3      |       | Unique identifier byte 3                                       |    |    |    |    |    |    |    |    |    |    |    |    |    |    |    |    |    |    |   |   |   |   |   |   |   |   |   |   |

#### 4.4.1.32 NFC.TAGHEADER1

Address offset: 0x454

Default header for NFC tag. Software can read these values to populate NFCID1\_3RD\_LAST, NFCID1\_2ND\_LAST, and NFCID1\_LAST.

|                  |   |                |       |                          |    |    |    |    |    |    |    |    |    |    |    |    |    |    |    |    |    |    |   |   |   |   |   |   |   |   |   |   |
|------------------|---|----------------|-------|--------------------------|----|----|----|----|----|----|----|----|----|----|----|----|----|----|----|----|----|----|---|---|---|---|---|---|---|---|---|---|
| Bit number       | 31  | 30             | 29    | 28                       | 27 | 26 | 25 | 24 | 23 | 22 | 21 | 20 | 19 | 18 | 17 | 16 | 15 | 14 | 13 | 12 | 11 | 10 | 9 | 8 | 7 | 6 | 5 | 4 | 3 | 2 | 1 | 0 |
| ID               | D   | D              | D     | D                        | D  | D  | D  | D  | C  | C  | C  | C  | C  | C  | C  | B  | B  | B  | B  | B  | B  | B  | B | B | A | A | A | A | A | A | A |   |
| Reset 0xFFFFFFFF | 1 |                |       |                          |    |    |    |    |    |    |    |    |    |    |    |    |    |    |    |    |    |    |   |   |   |   |   |   |   |   |   |   |
| ID               | Acce Field  | Value ID       | Value | Description              |    |    |    |    |    |    |    |    |    |    |    |    |    |    |    |    |    |    |   |   |   |   |   |   |   |   |   |   |
| A-D              | R   | UD[i] (i=4..7) |       | Unique identifier byte i |    |    |    |    |    |    |    |    |    |    |    |    |    |    |    |    |    |    |   |   |   |   |   |   |   |   |   |   |

#### 4.4.1.33 NFC.TAGHEADER2

Address offset: 0x458

Default header for NFC tag. Software can read these values to populate NFCID1\_3RD\_LAST, NFCID1\_2ND\_LAST, and NFCID1\_LAST.

|                  |            |                 |       |                          |    |    |    |    |    |    |    |    |    |    |    |    |    |    |    |    |    |    |   |   |   |   |   |   |   |   |   |   |
|------------------|------------|-----------------|-------|--------------------------|----|----|----|----|----|----|----|----|----|----|----|----|----|----|----|----|----|----|---|---|---|---|---|---|---|---|---|---|
| Bit number       | 31         | 30              | 29    | 28                       | 27 | 26 | 25 | 24 | 23 | 22 | 21 | 20 | 19 | 18 | 17 | 16 | 15 | 14 | 13 | 12 | 11 | 10 | 9 | 8 | 7 | 6 | 5 | 4 | 3 | 2 | 1 | 0 |
| ID               | D          | D               | D     | D                        | D  | D  | D  | D  | C  | C  | C  | C  | C  | C  | C  | B  | B  | B  | B  | B  | B  | B  | B | A | A | A | A | A | A | A | A | A |
| Reset 0xFFFFFFFF | 1          | 1               | 1     | 1                        | 1  | 1  | 1  | 1  | 1  | 1  | 1  | 1  | 1  | 1  | 1  | 1  | 1  | 1  | 1  | 1  | 1  | 1  | 1 | 1 | 1 | 1 | 1 | 1 | 1 | 1 | 1 | 1 |
| ID               | Acce Field | Value ID        | Value | Description              |    |    |    |    |    |    |    |    |    |    |    |    |    |    |    |    |    |    |   |   |   |   |   |   |   |   |   |   |
| A-D              | R          | UD[i] (i=8..11) |       | Unique identifier byte i |    |    |    |    |    |    |    |    |    |    |    |    |    |    |    |    |    |    |   |   |   |   |   |   |   |   |   |   |

#### 4.4.1.34 NFC.TAGHEADER3

Address offset: 0x45C

Default header for NFC tag. Software can read these values to populate NFCID1\_3RD\_LAST, NFCID1\_2ND\_LAST, and NFCID1\_LAST.

|                  |            |                  |       |                          |    |    |    |    |    |    |    |    |    |    |    |    |    |    |    |    |    |    |   |   |   |   |   |   |   |   |   |   |
|------------------|------------|------------------|-------|--------------------------|----|----|----|----|----|----|----|----|----|----|----|----|----|----|----|----|----|----|---|---|---|---|---|---|---|---|---|---|
| Bit number       | 31         | 30               | 29    | 28                       | 27 | 26 | 25 | 24 | 23 | 22 | 21 | 20 | 19 | 18 | 17 | 16 | 15 | 14 | 13 | 12 | 11 | 10 | 9 | 8 | 7 | 6 | 5 | 4 | 3 | 2 | 1 | 0 |
| ID               | D          | D                | D     | D                        | D  | D  | D  | D  | C  | C  | C  | C  | C  | C  | C  | B  | B  | B  | B  | B  | B  | B  | B | B | A | A | A | A | A | A | A | A |
| Reset 0xFFFFFFFF | 1          | 1                | 1     | 1                        | 1  | 1  | 1  | 1  | 1  | 1  | 1  | 1  | 1  | 1  | 1  | 1  | 1  | 1  | 1  | 1  | 1  | 1  | 1 | 1 | 1 | 1 | 1 | 1 | 1 | 1 | 1 | 1 |
| ID               | Acce Field | Value ID         | Value | Description              |    |    |    |    |    |    |    |    |    |    |    |    |    |    |    |    |    |    |   |   |   |   |   |   |   |   |   |   |
| A-D              | R          | UD[i] (i=12..15) |       | Unique identifier byte i |    |    |    |    |    |    |    |    |    |    |    |    |    |    |    |    |    |    |   |   |   |   |   |   |   |   |   |   |

#### 4.4.1.35 TRNG90B.BYTES

Address offset: 0xC00

Amount of bytes for the required entropy bits

|                  |            |          |       |   |    |    |    |    |    |    |    |    |    |    |    |    |    |    |    |    |    |    |   |   |   |   |   |   |   |   |   |   |
|------------------|------------|----------|-------|---|----|----|----|----|----|----|----|----|----|----|----|----|----|----|----|----|----|----|---|---|---|---|---|---|---|---|---|---|
| Bit number       | 31         | 30       | 29    | 28  | 27 | 26 | 25 | 24 | 23 | 22 | 21 | 20 | 19 | 18 | 17 | 16 | 15 | 14 | 13 | 12 | 11 | 10 | 9 | 8 | 7 | 6 | 5 | 4 | 3 | 2 | 1 | 0 |
| ID               | A          | A        | A     | A   | A  | A  | A  | A  | A  | A  | A  | A  | A  | A  | A  | A  | A  | A  | A  | A  | A  | A  | A | A | A | A | A | A | A | A | A | A |
| Reset 0xFFFFFFFF | 1          | 1        | 1     | 1   | 1  | 1  | 1  | 1  | 1  | 1  | 1  | 1  | 1  | 1  | 1  | 1  | 1  | 1  | 1  | 1  | 1  | 1  | 1 | 1 | 1 | 1 | 1 | 1 | 1 | 1 | 1 | 1 |
| ID               | Acce Field | Value ID | Value | Description                                   |    |    |    |    |    |    |    |    |    |    |    |    |    |    |    |    |    |    |   |   |   |   |   |   |   |   |   |   |
| A                | R          | BYTES    |       | Amount of bytes for the required entropy bits |    |    |    |    |    |    |    |    |    |    |    |    |    |    |    |    |    |    |   |   |   |   |   |   |   |   |   |   |

#### 4.4.1.36 TRNG90B.RCCUTOFF

Address offset: 0xC04

Repetition counter cutoff

|                  |            |          |       |                           |    |    |    |    |    |    |    |    |    |    |    |    |    |    |    |    |    |    |   |   |   |   |   |   |   |   |   |   |
|------------------|------------|----------|-------|---------------------------|----|----|----|----|----|----|----|----|----|----|----|----|----|----|----|----|----|----|---|---|---|---|---|---|---|---|---|---|
| Bit number       | 31         | 30       | 29    | 28                        | 27 | 26 | 25 | 24 | 23 | 22 | 21 | 20 | 19 | 18 | 17 | 16 | 15 | 14 | 13 | 12 | 11 | 10 | 9 | 8 | 7 | 6 | 5 | 4 | 3 | 2 | 1 | 0 |
| ID               | A          | A        | A     | A                         | A  | A  | A  | A  | A  | A  | A  | A  | A  | A  | A  | A  | A  | A  | A  | A  | A  | A  | A | A | A | A | A | A | A | A | A | A |
| Reset 0xFFFFFFFF | 1          | 1        | 1     | 1                         | 1  | 1  | 1  | 1  | 1  | 1  | 1  | 1  | 1  | 1  | 1  | 1  | 1  | 1  | 1  | 1  | 1  | 1  | 1 | 1 | 1 | 1 | 1 | 1 | 1 | 1 | 1 | 1 |
| ID               | Acce Field | Value ID | Value | Description               |    |    |    |    |    |    |    |    |    |    |    |    |    |    |    |    |    |    |   |   |   |   |   |   |   |   |   |   |
| A                | R          | RCCUTOFF |       | Repetition counter cutoff |    |    |    |    |    |    |    |    |    |    |    |    |    |    |    |    |    |    |   |   |   |   |   |   |   |   |   |   |

#### 4.4.1.37 TRNG90B.APCUTOFF

Address offset: 0xC08

Adaptive proportion cutoff

|                  |      |          |          |       |                            |    |    |    |    |    |    |    |    |    |    |    |    |    |    |    |    |    |   |   |   |   |   |   |   |   |   |   |
|------------------|------|----------|----------|-------|----------------------------|----|----|----|----|----|----|----|----|----|----|----|----|----|----|----|----|----|---|---|---|---|---|---|---|---|---|---|
| Bit number       | 31   | 30       | 29       | 28    | 27                         | 26 | 25 | 24 | 23 | 22 | 21 | 20 | 19 | 18 | 17 | 16 | 15 | 14 | 13 | 12 | 11 | 10 | 9 | 8 | 7 | 6 | 5 | 4 | 3 | 2 | 1 | 0 |
| ID               | A    | A        | A        | A     | A                          | A  | A  | A  | A  | A  | A  | A  | A  | A  | A  | A  | A  | A  | A  | A  | A  | A  | A | A | A | A | A | A | A | A | A | A |
| Reset 0xFFFFFFFF | 1    | 1        | 1        | 1     | 1                          | 1  | 1  | 1  | 1  | 1  | 1  | 1  | 1  | 1  | 1  | 1  | 1  | 1  | 1  | 1  | 1  | 1  | 1 | 1 | 1 | 1 | 1 | 1 | 1 | 1 | 1 |   |
| ID               | Acce | Field    | Value ID | Value | Description                |    |    |    |    |    |    |    |    |    |    |    |    |    |    |    |    |    |   |   |   |   |   |   |   |   |   |   |
| A                | R    | APCUTOFF |          |       | Adaptive proportion cutoff |    |    |    |    |    |    |    |    |    |    |    |    |    |    |    |    |    |   |   |   |   |   |   |   |   |   |   |

#### 4.4.1.38 TRNG90B.STARTUP

Address offset: 0xC0C

Amount of bytes for the startup tests

|                  |      |         |          |       |                                       |    |    |    |    |    |    |    |    |    |    |    |    |    |    |    |    |    |   |   |   |   |   |   |   |   |   |   |
|------------------|------|---------|----------|-------|---------------------------------------|----|----|----|----|----|----|----|----|----|----|----|----|----|----|----|----|----|---|---|---|---|---|---|---|---|---|---|
| Bit number       | 31   | 30      | 29       | 28    | 27                                    | 26 | 25 | 24 | 23 | 22 | 21 | 20 | 19 | 18 | 17 | 16 | 15 | 14 | 13 | 12 | 11 | 10 | 9 | 8 | 7 | 6 | 5 | 4 | 3 | 2 | 1 | 0 |
| ID               | A    | A       | A        | A     | A                                     | A  | A  | A  | A  | A  | A  | A  | A  | A  | A  | A  | A  | A  | A  | A  | A  | A  | A | A | A | A | A | A | A | A | A |   |
| Reset 0xFFFFFFFF | 1    | 1       | 1        | 1     | 1                                     | 1  | 1  | 1  | 1  | 1  | 1  | 1  | 1  | 1  | 1  | 1  | 1  | 1  | 1  | 1  | 1  | 1  | 1 | 1 | 1 | 1 | 1 | 1 | 1 | 1 | 1 |   |
| ID               | Acce | Field   | Value ID | Value | Description                           |    |    |    |    |    |    |    |    |    |    |    |    |    |    |    |    |    |   |   |   |   |   |   |   |   |   |   |
| A                | R    | STARTUP |          |       | Amount of bytes for the startup tests |    |    |    |    |    |    |    |    |    |    |    |    |    |    |    |    |    |   |   |   |   |   |   |   |   |   |   |

#### 4.4.1.39 TRNG90B.ROSC1

Address offset: 0xC10

Sample count for ring oscillator 1

|                  |      |       |          |       |                                    |    |    |    |    |    |    |    |    |    |    |    |    |    |    |    |    |    |   |   |   |   |   |   |   |   |   |   |
|------------------|------|-------|----------|-------|------------------------------------|----|----|----|----|----|----|----|----|----|----|----|----|----|----|----|----|----|---|---|---|---|---|---|---|---|---|---|
| Bit number       | 31   | 30    | 29       | 28    | 27                                 | 26 | 25 | 24 | 23 | 22 | 21 | 20 | 19 | 18 | 17 | 16 | 15 | 14 | 13 | 12 | 11 | 10 | 9 | 8 | 7 | 6 | 5 | 4 | 3 | 2 | 1 | 0 |
| ID               | A    | A     | A        | A     | A                                  | A  | A  | A  | A  | A  | A  | A  | A  | A  | A  | A  | A  | A  | A  | A  | A  | A  | A | A | A | A | A | A | A | A | A |   |
| Reset 0xFFFFFFFF | 1    | 1     | 1        | 1     | 1                                  | 1  | 1  | 1  | 1  | 1  | 1  | 1  | 1  | 1  | 1  | 1  | 1  | 1  | 1  | 1  | 1  | 1  | 1 | 1 | 1 | 1 | 1 | 1 | 1 | 1 | 1 |   |
| ID               | Acce | Field | Value ID | Value | Description                        |    |    |    |    |    |    |    |    |    |    |    |    |    |    |    |    |    |   |   |   |   |   |   |   |   |   |   |
| A                | R    | ROSC1 |          |       | Sample count for ring oscillator 1 |    |    |    |    |    |    |    |    |    |    |    |    |    |    |    |    |    |   |   |   |   |   |   |   |   |   |   |

#### 4.4.1.40 TRNG90B.ROSC2

Address offset: 0xC14

Sample count for ring oscillator 2

|                  |      |       |          |       |                                    |    |    |    |    |    |    |    |    |    |    |    |    |    |    |    |    |    |   |   |   |   |   |   |   |   |   |   |
|------------------|------|-------|----------|-------|------------------------------------|----|----|----|----|----|----|----|----|----|----|----|----|----|----|----|----|----|---|---|---|---|---|---|---|---|---|---|
| Bit number       | 31   | 30    | 29       | 28    | 27                                 | 26 | 25 | 24 | 23 | 22 | 21 | 20 | 19 | 18 | 17 | 16 | 15 | 14 | 13 | 12 | 11 | 10 | 9 | 8 | 7 | 6 | 5 | 4 | 3 | 2 | 1 | 0 |
| ID               | A    | A     | A        | A     | A                                  | A  | A  | A  | A  | A  | A  | A  | A  | A  | A  | A  | A  | A  | A  | A  | A  | A  | A | A | A | A | A | A | A | A | A |   |
| Reset 0xFFFFFFFF | 1    | 1     | 1        | 1     | 1                                  | 1  | 1  | 1  | 1  | 1  | 1  | 1  | 1  | 1  | 1  | 1  | 1  | 1  | 1  | 1  | 1  | 1  | 1 | 1 | 1 | 1 | 1 | 1 | 1 | 1 | 1 |   |
| ID               | Acce | Field | Value ID | Value | Description                        |    |    |    |    |    |    |    |    |    |    |    |    |    |    |    |    |    |   |   |   |   |   |   |   |   |   |   |
| A                | R    | ROSC2 |          |       | Sample count for ring oscillator 2 |    |    |    |    |    |    |    |    |    |    |    |    |    |    |    |    |    |   |   |   |   |   |   |   |   |   |   |

#### 4.4.1.41 TRNG90B.ROSC3

Address offset: 0xC18

Sample count for ring oscillator 3

|                  |      |       |          |       |                                    |    |    |    |    |    |    |    |    |    |    |    |    |    |    |    |    |    |   |   |   |   |   |   |   |   |   |   |
|------------------|------|-------|----------|-------|------------------------------------|----|----|----|----|----|----|----|----|----|----|----|----|----|----|----|----|----|---|---|---|---|---|---|---|---|---|---|
| Bit number       | 31   | 30    | 29       | 28    | 27                                 | 26 | 25 | 24 | 23 | 22 | 21 | 20 | 19 | 18 | 17 | 16 | 15 | 14 | 13 | 12 | 11 | 10 | 9 | 8 | 7 | 6 | 5 | 4 | 3 | 2 | 1 | 0 |
| ID               | A    | A     | A        | A     | A                                  | A  | A  | A  | A  | A  | A  | A  | A  | A  | A  | A  | A  | A  | A  | A  | A  | A  | A | A | A | A | A | A | A | A | A |   |
| Reset 0xFFFFFFFF | 1    | 1     | 1        | 1     | 1                                  | 1  | 1  | 1  | 1  | 1  | 1  | 1  | 1  | 1  | 1  | 1  | 1  | 1  | 1  | 1  | 1  | 1  | 1 | 1 | 1 | 1 | 1 | 1 | 1 | 1 | 1 |   |
| ID               | Acce | Field | Value ID | Value | Description                        |    |    |    |    |    |    |    |    |    |    |    |    |    |    |    |    |    |   |   |   |   |   |   |   |   |   |   |
| A                | R    | ROSC3 |          |       | Sample count for ring oscillator 3 |    |    |    |    |    |    |    |    |    |    |    |    |    |    |    |    |    |   |   |   |   |   |   |   |   |   |   |

#### 4.4.1.42 TRNG90B.ROSC4

Address offset: 0xC1C

Sample count for ring oscillator 4

|                  |       |       |          |       |                                    |    |    |    |    |    |    |    |    |    |    |    |    |    |    |    |    |    |   |   |   |   |   |   |   |   |   |   |
|------------------|-------|-------|----------|-------|------------------------------------|----|----|----|----|----|----|----|----|----|----|----|----|----|----|----|----|----|---|---|---|---|---|---|---|---|---|---|
| Bit number       | 31    | 30    | 29       | 28    | 27                                 | 26 | 25 | 24 | 23 | 22 | 21 | 20 | 19 | 18 | 17 | 16 | 15 | 14 | 13 | 12 | 11 | 10 | 9 | 8 | 7 | 6 | 5 | 4 | 3 | 2 | 1 | 0 |
| ID               | A     | A     | A        | A     | A                                  | A  | A  | A  | A  | A  | A  | A  | A  | A  | A  | A  | A  | A  | A  | A  | A  | A  | A | A | A | A | A | A | A | A | A | A |
| Reset 0xFFFFFFFF | 1     | 1     | 1        | 1     | 1                                  | 1  | 1  | 1  | 1  | 1  | 1  | 1  | 1  | 1  | 1  | 1  | 1  | 1  | 1  | 1  | 1  | 1  | 1 | 1 | 1 | 1 | 1 | 1 | 1 | 1 | 1 |   |
| ID               | Acces | Field | Value ID | Value | Description                        |    |    |    |    |    |    |    |    |    |    |    |    |    |    |    |    |    |   |   |   |   |   |   |   |   |   |   |
| A                | R     | ROSC4 |          |       | Sample count for ring oscillator 4 |    |    |    |    |    |    |    |    |    |    |    |    |    |    |    |    |    |   |   |   |   |   |   |   |   |   |   |

## 4.5 UICR — User information configuration registers

The user information configuration registers (UICRs) are non-volatile memory (NVM) registers for configuring user-specific settings.

For information on writing UICR registers, see the [NVMC — Non-volatile memory controller](#) on page 24 and [Memory](#) on page 20 chapters.

### 4.5.1 Registers

| Base address | Peripheral | Instance | Description                    | Configuration |
|--------------|------------|----------|--------------------------------|---------------|
| 0x10001000   | UICR       | UICR     | User information configuration |               |

Table 10: Instances

| Register  | Offset | Description                         |
|-----------|--------|-------------------------------------|
| UNUSED0   | 0x000  | Reserved                            |
| UNUSED1   | 0x004  | Reserved                            |
| UNUSED2   | 0x008  | Reserved                            |
| UNUSED3   | 0x010  | Reserved                            |
| NRFFW[0]  | 0x014  | Reserved for Nordic firmware design |
| NRFFW[1]  | 0x018  | Reserved for Nordic firmware design |
| NRFFW[2]  | 0x01C  | Reserved for Nordic firmware design |
| NRFFW[3]  | 0x020  | Reserved for Nordic firmware design |
| NRFFW[4]  | 0x024  | Reserved for Nordic firmware design |
| NRFFW[5]  | 0x028  | Reserved for Nordic firmware design |
| NRFFW[6]  | 0x02C  | Reserved for Nordic firmware design |
| NRFFW[7]  | 0x030  | Reserved for Nordic firmware design |
| NRFFW[8]  | 0x034  | Reserved for Nordic firmware design |
| NRFFW[9]  | 0x038  | Reserved for Nordic firmware design |
| NRFFW[10] | 0x03C  | Reserved for Nordic firmware design |
| NRFFW[11] | 0x040  | Reserved for Nordic firmware design |
| NRFFW[12] | 0x044  | Reserved for Nordic firmware design |
| NRFHW[0]  | 0x050  | Reserved for Nordic hardware design |
| NRFHW[1]  | 0x054  | Reserved for Nordic hardware design |
| NRFHW[2]  | 0x058  | Reserved for Nordic hardware design |
| NRFHW[3]  | 0x05C  | Reserved for Nordic hardware design |
| NRFHW[4]  | 0x060  | Reserved for Nordic hardware design |
| NRFHW[5]  | 0x064  | Reserved for Nordic hardware design |
| NRFHW[6]  | 0x068  | Reserved for Nordic hardware design |

| Register     | Offset | Description   |
|--------------|--------|---|
| NRFFHW[7]    | 0x06C  | Reserved for Nordic hardware design   |
| NRFFHW[8]    | 0x070  | Reserved for Nordic hardware design   |
| NRFFHW[9]    | 0x074  | Reserved for Nordic hardware design   |
| NRFFHW[10]   | 0x078  | Reserved for Nordic hardware design   |
| NRFFHW[11]   | 0x07C  | Reserved for Nordic hardware design   |
| CUSTOMER[0]  | 0x080  | Reserved for customer   |
| CUSTOMER[1]  | 0x084  | Reserved for customer   |
| CUSTOMER[2]  | 0x088  | Reserved for customer   |
| CUSTOMER[3]  | 0x08C  | Reserved for customer   |
| CUSTOMER[4]  | 0x090  | Reserved for customer   |
| CUSTOMER[5]  | 0x094  | Reserved for customer   |
| CUSTOMER[6]  | 0x098  | Reserved for customer   |
| CUSTOMER[7]  | 0x09C  | Reserved for customer   |
| CUSTOMER[8]  | 0x0A0  | Reserved for customer   |
| CUSTOMER[9]  | 0x0A4  | Reserved for customer   |
| CUSTOMER[10] | 0x0A8  | Reserved for customer   |
| CUSTOMER[11] | 0x0AC  | Reserved for customer   |
| CUSTOMER[12] | 0x0B0  | Reserved for customer   |
| CUSTOMER[13] | 0x0B4  | Reserved for customer   |
| CUSTOMER[14] | 0x0B8  | Reserved for customer   |
| CUSTOMER[15] | 0x0BC  | Reserved for customer   |
| CUSTOMER[16] | 0x0C0  | Reserved for customer   |
| CUSTOMER[17] | 0x0C4  | Reserved for customer   |
| CUSTOMER[18] | 0x0C8  | Reserved for customer   |
| CUSTOMER[19] | 0x0CC  | Reserved for customer   |
| CUSTOMER[20] | 0x0D0  | Reserved for customer   |
| CUSTOMER[21] | 0x0D4  | Reserved for customer   |
| CUSTOMER[22] | 0x0D8  | Reserved for customer   |
| CUSTOMER[23] | 0x0DC  | Reserved for customer   |
| CUSTOMER[24] | 0x0E0  | Reserved for customer   |
| CUSTOMER[25] | 0x0E4  | Reserved for customer   |
| CUSTOMER[26] | 0x0E8  | Reserved for customer   |
| CUSTOMER[27] | 0x0EC  | Reserved for customer   |
| CUSTOMER[28] | 0x0F0  | Reserved for customer   |
| CUSTOMER[29] | 0x0F4  | Reserved for customer   |
| CUSTOMER[30] | 0x0F8  | Reserved for customer   |
| CUSTOMER[31] | 0x0FC  | Reserved for customer   |
| PSELRESET[0] | 0x200  | Mapping of the nRESET function (see POWER chapter for details)  |
| PSELRESET[1] | 0x204  | Mapping of the nRESET function (see POWER chapter for details)  |
| APPROTECT    | 0x208  | Access port protection  |
| NFCPINS      | 0x20C  | Setting of pins dedicated to NFC functionality: NFC antenna or GPIO   |
| DEBUGCTRL    | 0x210  | Processor debug control   |
| REGOUT0      | 0x304  | Output voltage from REG0 regulator stage. The maximum output voltage from this stage is given as VDDH - V_VDDH-VDD. |

Table 11: Register overview

#### 4.5.1.1 NRFFW[n] (n=0..12)

Address offset:  $0x014 + (n \times 0x4)$

Reserved for Nordic firmware design



| Bit number       | 31 30 29 28 27 26 25 24 23 22 21 20 19 18 17 16 15 14 13 12 11 10 9 8 7 6 5 4 3 2 1 0 |          |       |                                     |  |  |  |  |  |  |  |  |  |  |  |  |  |  |  |  |  |  |  |  |  |  |  |  |  |  |  |  |
|------------------|---|----------|-------|-------------------------------------|--|--|--|--|--|--|--|--|--|--|--|--|--|--|--|--|--|--|--|--|--|--|--|--|--|--|--|--|
| ID               | A                   |          |       |                                     |  |  |  |  |  |  |  |  |  |  |  |  |  |  |  |  |  |  |  |  |  |  |  |  |  |  |  |  |
| Reset 0xFFFFFFFF | 1                       |          |       |                                     |  |  |  |  |  |  |  |  |  |  |  |  |  |  |  |  |  |  |  |  |  |  |  |  |  |  |  |  |
| ID               | Acce Field  | Value ID | Value | Description                         |  |  |  |  |  |  |  |  |  |  |  |  |  |  |  |  |  |  |  |  |  |  |  |  |  |  |  |  |
| A                | RW  | NRFHW    |       | Reserved for Nordic firmware design |  |  |  |  |  |  |  |  |  |  |  |  |  |  |  |  |  |  |  |  |  |  |  |  |  |  |  |  |

#### 4.5.1.2 NRFHW[n] (n=0..11)

Address offset: 0x050 + (n × 0x4)

Reserved for Nordic hardware design

| Bit number       | 31 30 29 28 27 26 25 24 23 22 21 20 19 18 17 16 15 14 13 12 11 10 9 8 7 6 5 4 3 2 1 0 |          |       |                                     |  |  |  |  |  |  |  |  |  |  |  |  |  |  |  |  |  |  |  |  |  |  |  |  |  |  |  |  |
|------------------|---|----------|-------|-------------------------------------|--|--|--|--|--|--|--|--|--|--|--|--|--|--|--|--|--|--|--|--|--|--|--|--|--|--|--|--|
| ID               | A                   |          |       |                                     |  |  |  |  |  |  |  |  |  |  |  |  |  |  |  |  |  |  |  |  |  |  |  |  |  |  |  |  |
| Reset 0xFFFFFFFF | 1                       |          |       |                                     |  |  |  |  |  |  |  |  |  |  |  |  |  |  |  |  |  |  |  |  |  |  |  |  |  |  |  |  |
| ID               | Acce Field  | Value ID | Value | Description                         |  |  |  |  |  |  |  |  |  |  |  |  |  |  |  |  |  |  |  |  |  |  |  |  |  |  |  |  |
| A                | RW  | NRFHW    |       | Reserved for Nordic hardware design |  |  |  |  |  |  |  |  |  |  |  |  |  |  |  |  |  |  |  |  |  |  |  |  |  |  |  |  |

#### 4.5.1.3 CUSTOMER[n] (n=0..31)

Address offset: 0x080 + (n × 0x4)

Reserved for customer

| Bit number       | 31 30 29 28 27 26 25 24 23 22 21 20 19 18 17 16 15 14 13 12 11 10 9 8 7 6 5 4 3 2 1 0 |          |       |                       |  |  |  |  |  |  |  |  |  |  |  |  |  |  |  |  |  |  |  |  |  |  |  |  |  |  |  |  |
|------------------|---|----------|-------|-----------------------|--|--|--|--|--|--|--|--|--|--|--|--|--|--|--|--|--|--|--|--|--|--|--|--|--|--|--|--|
| ID               | A                   |          |       |                       |  |  |  |  |  |  |  |  |  |  |  |  |  |  |  |  |  |  |  |  |  |  |  |  |  |  |  |  |
| Reset 0xFFFFFFFF | 1                       |          |       |                       |  |  |  |  |  |  |  |  |  |  |  |  |  |  |  |  |  |  |  |  |  |  |  |  |  |  |  |  |
| ID               | Acce Field  | Value ID | Value | Description           |  |  |  |  |  |  |  |  |  |  |  |  |  |  |  |  |  |  |  |  |  |  |  |  |  |  |  |  |
| A                | RW  | CUSTOMER |       | Reserved for customer |  |  |  |  |  |  |  |  |  |  |  |  |  |  |  |  |  |  |  |  |  |  |  |  |  |  |  |  |

#### 4.5.1.4 PSELRESET[n] (n=0..1)

Address offset: 0x200 + (n × 0x4)

Mapping of the nRESET function (see POWER chapter for details)

All PSELRESET registers have to contain the same value for a pin mapping to be valid. If values are not the same, there will be no nRESET function exposed on a GPIO. As a result, the device will always start independently of the levels present on any of the GPIOs.

| Bit number       | 31 30 29 28 27 26 25 24 23 22 21 20 19 18 17 16 15 14 13 12 11 10 9 8 7 6 5 4 3 2 1 0 |              |       |  |  |  |  |  |  |  |  |  |  |  |  |  |  |  |  |  |  |  |  |  |  |  |  |  |  |  |  |  |
|------------------|---|--------------|-------|--|--|--|--|--|--|--|--|--|--|--|--|--|--|--|--|--|--|--|--|--|--|--|--|--|--|--|--|--|
| ID               | C                   |              |       |  |  |  |  |  |  |  |  |  |  |  |  |  |  |  |  |  |  |  |  |  |  |  |  |  |  |  |  |  |
| Reset 0xFFFFFFFF | 1                       |              |       |  |  |  |  |  |  |  |  |  |  |  |  |  |  |  |  |  |  |  |  |  |  |  |  |  |  |  |  |  |
| ID               | Acce Field  | Value ID     | Value | Description                                  |  |  |  |  |  |  |  |  |  |  |  |  |  |  |  |  |  |  |  |  |  |  |  |  |  |  |  |  |
| A                | RW  | PIN          | 18    | GPIO pin number onto which nRESET is exposed |  |  |  |  |  |  |  |  |  |  |  |  |  |  |  |  |  |  |  |  |  |  |  |  |  |  |  |  |
| B                | RW  | PORT         | 0     | Port number onto which nRESET is exposed     |  |  |  |  |  |  |  |  |  |  |  |  |  |  |  |  |  |  |  |  |  |  |  |  |  |  |  |  |
| C                | RW  | CONNECT      |       | Connection                                   |  |  |  |  |  |  |  |  |  |  |  |  |  |  |  |  |  |  |  |  |  |  |  |  |  |  |  |  |
|                  |   | Disconnected | 1     | Disconnect                                   |  |  |  |  |  |  |  |  |  |  |  |  |  |  |  |  |  |  |  |  |  |  |  |  |  |  |  |  |
|                  |   | Connected    | 0     | Connect                                      |  |  |  |  |  |  |  |  |  |  |  |  |  |  |  |  |  |  |  |  |  |  |  |  |  |  |  |  |

#### 4.5.1.5 APPROTECT

Address offset: 0x208

Access port protection

| Bit number       |            | 31 30 29 28 27 26 25 24 23 22 21 20 19 18 17 16 15 14 13 12 11 10 9 8 7 6 5 4 3 2 1 0 |       |  |  |  |  |  |  |  |  |  |  |  |  |  |  |  |  |  |  |  |  |  |  |  |  |  |  |  |  |  |  |
|------------------|------------|---|-------|--|--|--|--|--|--|--|--|--|--|--|--|--|--|--|--|--|--|--|--|--|--|--|--|--|--|--|--|--|--|
| ID               |            | A A A A A A A A   |       |  |  |  |  |  |  |  |  |  |  |  |  |  |  |  |  |  |  |  |  |  |  |  |  |  |  |  |  |  |  |
| Reset 0xFFFFFFFF |            | 1           |       |  |  |  |  |  |  |  |  |  |  |  |  |  |  |  |  |  |  |  |  |  |  |  |  |  |  |  |  |  |  |
| ID               | Acce Field | Value ID  | Value | Description  |  |  |  |  |  |  |  |  |  |  |  |  |  |  |  |  |  |  |  |  |  |  |  |  |  |  |  |  |  |
| A                | RW PALL    |   |       | Enable or disable access port protection.<br><br>See <a href="#">Debug and trace</a> on page 50 for more information.      |  |  |  |  |  |  |  |  |  |  |  |  |  |  |  |  |  |  |  |  |  |  |  |  |  |  |  |  |  |
|                  |            | Disabled  | 0xFF  | Hardware disable of access port protection for devices where access port protection is controlled by hardware              |  |  |  |  |  |  |  |  |  |  |  |  |  |  |  |  |  |  |  |  |  |  |  |  |  |  |  |  |  |
|                  |            | HwDisabled  | 0x5A  | Hardware disable of access port protection for devices where access port protection is controlled by hardware and software |  |  |  |  |  |  |  |  |  |  |  |  |  |  |  |  |  |  |  |  |  |  |  |  |  |  |  |  |  |
|                  |            | Enabled   | 0x00  | Enable   |  |  |  |  |  |  |  |  |  |  |  |  |  |  |  |  |  |  |  |  |  |  |  |  |  |  |  |  |  |

### 4.5.1.6 NFCPINS

Address offset: 0x20C

Setting of pins dedicated to NFC functionality: NFC antenna or GPIO

| Bit number       |            | 31 30 29 28 27 26 25 24 23 22 21 20 19 18 17 16 15 14 13 12 11 10 9 8 7 6 5 4 3 2 1 0 |       |   |  |  |  |  |  |  |  |  |  |  |  |  |  |  |  |  |  |  |  |  |  |  |  |  |  |  |  |  |  |
|------------------|------------|---|-------|---|--|--|--|--|--|--|--|--|--|--|--|--|--|--|--|--|--|--|--|--|--|--|--|--|--|--|--|--|--|
| ID               |            | A   |       |   |  |  |  |  |  |  |  |  |  |  |  |  |  |  |  |  |  |  |  |  |  |  |  |  |  |  |  |  |  |
| Reset 0xFFFFFFFF |            | 1           |       |   |  |  |  |  |  |  |  |  |  |  |  |  |  |  |  |  |  |  |  |  |  |  |  |  |  |  |  |  |  |
| ID               | Acce Field | Value ID  | Value | Description   |  |  |  |  |  |  |  |  |  |  |  |  |  |  |  |  |  |  |  |  |  |  |  |  |  |  |  |  |  |
| A                | RW PROTECT |   |       | Setting of pins dedicated to NFC functionality                              |  |  |  |  |  |  |  |  |  |  |  |  |  |  |  |  |  |  |  |  |  |  |  |  |  |  |  |  |  |
|                  |            | Disabled  | 0     | Operation as GPIO pins. Same protection as normal GPIO pins.                |  |  |  |  |  |  |  |  |  |  |  |  |  |  |  |  |  |  |  |  |  |  |  |  |  |  |  |  |  |
|                  |            | NFC   | 1     | Operation as NFC antenna pins. Configures the protection for NFC operation. |  |  |  |  |  |  |  |  |  |  |  |  |  |  |  |  |  |  |  |  |  |  |  |  |  |  |  |  |  |

### 4.5.1.7 DEBUGCTRL

Address offset: 0x210

Processor debug control

| Bit number       |             | 31 30 29 28 27 26 25 24 23 22 21 20 19 18 17 16 15 14 13 12 11 10 9 8 7 6 5 4 3 2 1 0 |       |  |  |  |  |  |  |  |  |  |  |  |  |  |  |  |  |  |  |  |  |  |  |  |  |  |  |  |  |  |  |
|------------------|-------------|---|-------|--|--|--|--|--|--|--|--|--|--|--|--|--|--|--|--|--|--|--|--|--|--|--|--|--|--|--|--|--|--|
| ID               |             | B B B B B B B B A A A A A A A A   |       |  |  |  |  |  |  |  |  |  |  |  |  |  |  |  |  |  |  |  |  |  |  |  |  |  |  |  |  |  |  |
| Reset 0xFFFFFFFF |             | 1           |       |  |  |  |  |  |  |  |  |  |  |  |  |  |  |  |  |  |  |  |  |  |  |  |  |  |  |  |  |  |  |
| ID               | Acce Field  | Value ID  | Value | Description  |  |  |  |  |  |  |  |  |  |  |  |  |  |  |  |  |  |  |  |  |  |  |  |  |  |  |  |  |  |
| A                | RW CPUNIDEN |   |       | Configure CPU non-intrusive debug features                           |  |  |  |  |  |  |  |  |  |  |  |  |  |  |  |  |  |  |  |  |  |  |  |  |  |  |  |  |  |
|                  |             | Enabled   | 0xFF  | Enable CPU ITM and ETM functionality (default behavior)              |  |  |  |  |  |  |  |  |  |  |  |  |  |  |  |  |  |  |  |  |  |  |  |  |  |  |  |  |  |
|                  |             | Disabled  | 0x00  | Disable CPU ITM and ETM functionality                                |  |  |  |  |  |  |  |  |  |  |  |  |  |  |  |  |  |  |  |  |  |  |  |  |  |  |  |  |  |
| B                | RW CPUFPBEN |   |       | Configure CPU flash patch and breakpoint (FPB) unit behavior         |  |  |  |  |  |  |  |  |  |  |  |  |  |  |  |  |  |  |  |  |  |  |  |  |  |  |  |  |  |
|                  |             | Enabled   | 0xFF  | Enable CPU FPB unit (default behavior)                               |  |  |  |  |  |  |  |  |  |  |  |  |  |  |  |  |  |  |  |  |  |  |  |  |  |  |  |  |  |
|                  |             | Disabled  | 0x00  | Disable CPU FPB unit. Writes into the FPB registers will be ignored. |  |  |  |  |  |  |  |  |  |  |  |  |  |  |  |  |  |  |  |  |  |  |  |  |  |  |  |  |  |

### 4.5.1.8 REGOUT0

Address offset: 0x304

Output voltage from REG0 regulator stage. The maximum output voltage from this stage is given as  $V_{DDH} - V_{VDDH-VDD}$ .

| Bit number       | 31   | 30    | 29       | 28    | 27  | 26 | 25 | 24 | 23 | 22 | 21 | 20 | 19 | 18 | 17 | 16 | 15 | 14 | 13 | 12 | 11 | 10 | 9 | 8 | 7 | 6 | 5 | 4 | 3 | 2 | 1 | 0 |
|------------------|------|-------|----------|-------|---|----|----|----|----|----|----|----|----|----|----|----|----|----|----|----|----|----|---|---|---|---|---|---|---|---|---|---|
| ID               |      |       |          |       |   |    |    |    |    |    |    |    |    |    |    |    |    |    |    |    |    |    |   |   |   |   |   | A | A | A |   |   |
| Reset 0xFFFFFFFF | 1    | 1     | 1        | 1     | 1   | 1  | 1  | 1  | 1  | 1  | 1  | 1  | 1  | 1  | 1  | 1  | 1  | 1  | 1  | 1  | 1  | 1  | 1 | 1 | 1 | 1 | 1 | 1 | 1 | 1 | 1 |   |
| ID               | Acce | Field | Value ID | Value | Description                               |    |    |    |    |    |    |    |    |    |    |    |    |    |    |    |    |    |   |   |   |   |   |   |   |   |   |   |
| A                | RW   | VOUT  |          |       | Output voltage from REG0 regulator stage. |    |    |    |    |    |    |    |    |    |    |    |    |    |    |    |    |    |   |   |   |   |   |   |   |   |   |   |
|                  |      |       | 1V8      | 0     | 1.8 V                                     |    |    |    |    |    |    |    |    |    |    |    |    |    |    |    |    |    |   |   |   |   |   |   |   |   |   |   |
|                  |      |       | 2V1      | 1     | 2.1 V                                     |    |    |    |    |    |    |    |    |    |    |    |    |    |    |    |    |    |   |   |   |   |   |   |   |   |   |   |
|                  |      |       | 2V4      | 2     | 2.4 V                                     |    |    |    |    |    |    |    |    |    |    |    |    |    |    |    |    |    |   |   |   |   |   |   |   |   |   |   |
|                  |      |       | 2V7      | 3     | 2.7 V                                     |    |    |    |    |    |    |    |    |    |    |    |    |    |    |    |    |    |   |   |   |   |   |   |   |   |   |   |
|                  |      |       | 3V0      | 4     | 3.0 V                                     |    |    |    |    |    |    |    |    |    |    |    |    |    |    |    |    |    |   |   |   |   |   |   |   |   |   |   |
|                  |      |       | 3V3      | 5     | 3.3 V                                     |    |    |    |    |    |    |    |    |    |    |    |    |    |    |    |    |    |   |   |   |   |   |   |   |   |   |   |
|                  |      |       | DEFAULT  | 7     | Default voltage: 1.8 V                    |    |    |    |    |    |    |    |    |    |    |    |    |    |    |    |    |    |   |   |   |   |   |   |   |   |   |   |

## 4.6 EasyDMA

EasyDMA is a module implemented by some peripherals to gain direct access to Data RAM.

EasyDMA is an AHB bus master similar to CPU and is connected to the AHB multilayer interconnect for direct access to Data RAM. EasyDMA is not able to access flash.

A peripheral can implement multiple EasyDMA instances to provide dedicated channels. For example, for reading and writing of data between the peripheral and RAM. This concept is illustrated in [EasyDMA example](#) on page 47.

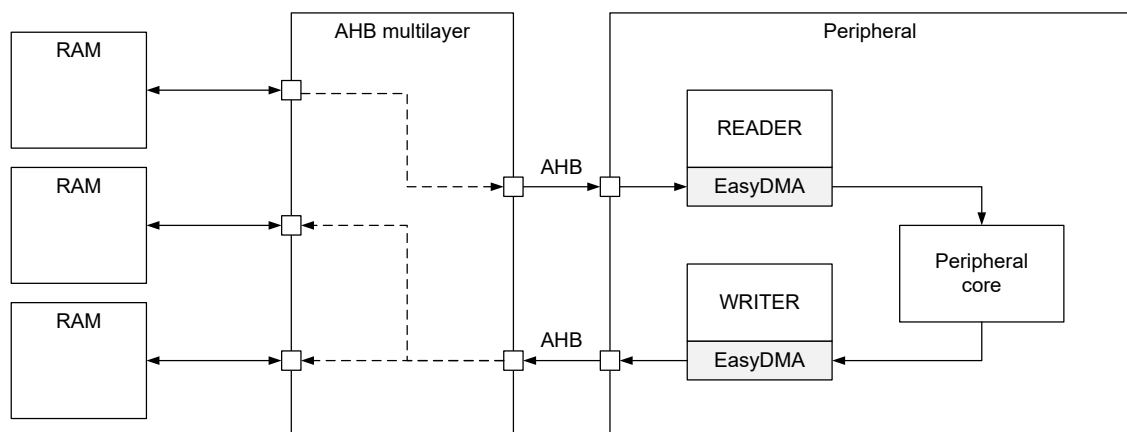


Figure 4: EasyDMA example

An EasyDMA channel is implemented in the following way, but some variations may occur:

```

READERBUFFER_SIZE 5
WRITERBUFFER_SIZE 6

uint8_t readerBuffer[READERBUFFER_SIZE] __at__ 0x20000000;
uint8_t writerBuffer[WRITERBUFFER_SIZE] __at__ 0x20000005;

// Configuring the READER channel
MYPERIPHERAL->READER.MAXCNT = READERBUFFER_SIZE;
MYPERIPHERAL->READER.PTR = &readerBuffer;

// Configure the WRITER channel
MYPERIPHERAL->WRITER.MAXCNT = WRITERBUFFER_SIZE;
MYPERIPHERAL->WRITER.PTR = &writerBuffer;

```

This example shows a peripheral called MYPERIPHERAL that implements two EasyDMA channels - one for reading called READER, and one for writing called WRITER. When the peripheral is started, it is assumed that the peripheral will perform the following tasks:

- Read 5 bytes from the readerBuffer located in RAM at address 0x20000000
- Process the data
- Write no more than 6 bytes back to the writerBuffer located in RAM at address 0x20000005

The memory layout of these buffers is illustrated in [EasyDMA memory layout](#) on page 48.

|            |                 |                 |                 |                 |
|------------|-----------------|-----------------|-----------------|-----------------|
| 0x20000000 | readerBuffer[0] | readerBuffer[1] | readerBuffer[2] | readerBuffer[3] |
| 0x20000004 | readerBuffer[4] | writerBuffer[0] | writerBuffer[1] | writerBuffer[2] |
| 0x20000008 | writerBuffer[3] | writerBuffer[4] | writerBuffer[5] |                 |

Figure 5: EasyDMA memory layout

The WRITER.MAXCNT register should not be specified larger than the actual size of the buffer (writerBuffer). Otherwise, the channel would overflow the writerBuffer.

Once an EasyDMA transfer is completed, the AMOUNT register can be read by the CPU to see how many bytes were transferred. For example, CPU can read MYPERIPHERAL->WRITER.AMOUNT register to see how many bytes WRITER wrote to RAM.

**Note:** The PTR register of a READER or WRITER must point to a valid memory region before use. The reset value of a PTR register is not guaranteed to point to valid memory. See [Memory](#) on page 20 for more information about the different memory regions and EasyDMA connectivity.

### 4.6.1 EasyDMA error handling

Some errors may occur during DMA handling.

If READER.PTR or WRITER.PTR is not pointing to a valid memory region, an EasyDMA transfer may result in a HardFault or RAM corruption. See [Memory](#) on page 20 for more information about the different memory regions.

If several AHB bus masters try to access the same AHB slave at the same time, AHB bus congestion might occur. An EasyDMA channel is an AHB master. Depending on the peripheral, the peripheral may either stall and wait for access to be granted, or lose data.

## 4.6.2 EasyDMA array list

EasyDMA is able to operate in Array List mode.

The Array List mode is implemented in channels where the LIST register is available.

The array list does not provide a mechanism to explicitly specify where the next item in the list is located. Instead, it assumes that the list is organized as a linear array where items are located one after the other in RAM.

The EasyDMA Array List can be implemented by using the data structure `ArrayList_type` as illustrated in the code example below using a `READER` EasyDMA channel as an example:

```
#define BUFFER_SIZE 4

typedef struct ArrayList
{
    uint8_t buffer[BUFFER_SIZE];
} ArrayList_type;

ArrayList_type ReaderList[3] __at__ 0x20000000;

MYPERIPHERAL->READER.MAXCNT = BUFFER_SIZE;
MYPERIPHERAL->READER.PTR = &ReaderList;
MYPERIPHERAL->READER.LIST = MYPERIPHERAL_READER_LIST_ArrayList;
```

The data structure only includes a buffer with size equal to the size of `READER.MAXCNT` register. EasyDMA uses the `READER.MAXCNT` register to determine when the buffer is full.

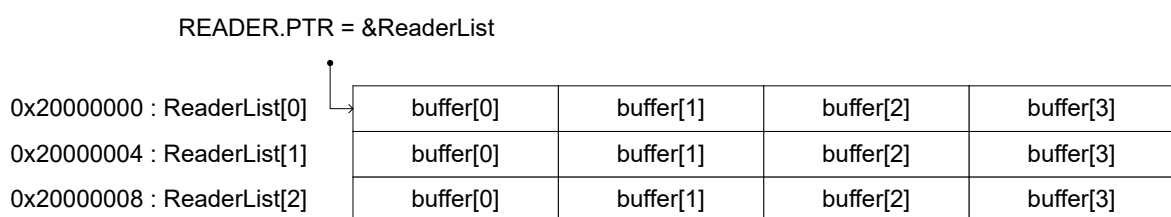


Figure 6: EasyDMA array list

## 4.7 AHB multilayer

AHB multilayer enables parallel access paths between multiple masters and slaves in a system. Access is resolved using priorities.

Each bus master is connected to all the slave devices using an interconnection matrix. The bus masters are assigned priorities, which are used to resolve access when two (or more) bus masters request access to the same slave device. When that occurs, the following rules apply:

- If two (or more) bus masters request access to the same slave device, the master with the highest priority is granted the access first.
- Bus masters with lower priority are stalled until the higher priority master has completed its transaction.
- If the higher priority master pauses at any point during its transaction, the lower priority master in queue is temporarily granted access to the slave device until the higher priority master resumes its activity.
- Bus masters that have the same priority are mutually exclusive, thus cannot be used concurrently.

Some peripherals, such as RADIO, do not have a safe stalling mechanism (no internal data buffering, or opportunity to pause incoming data). Being a low priority bus master might cause loss of data for such peripherals upon bus contention. To avoid AHB bus contention when using multiple bus masters, follow these guidelines:

- Avoid situations where more than one bus master is accessing the same slave.
- If more than one bus master is accessing the same slave, make sure that the bus bandwidth is not exhausted.

Below is a list of bus masters in the system and their priorities.

| Bus master name         | Description                          |
|-------------------------|--------------------------------------|
| CPU                     |                                      |
| CTRL-AP                 |                                      |
| USB                     |                                      |
| CRYPTOCELL              |                                      |
| SPIM1/SPIS1/TWIM1/TWIS1 | Same priority and mutually exclusive |
| RADIO                   |                                      |
| CCM/ECB/AAR             | Same priority and mutually exclusive |
| SAADC                   |                                      |
| UARTE0                  |                                      |
| SPIM0/SPIS0/TWIM0/TWIS0 | Same priority and mutually exclusive |
| SPIM2/SPIS2             | Same priority and mutually exclusive |
| NFCT                    |                                      |
| I2S                     |                                      |
| PDM                     |                                      |
| PWM0                    |                                      |
| PWM1                    |                                      |
| PWM2                    |                                      |
| QSPI                    |                                      |
| PWM3                    |                                      |
| UARTE1                  |                                      |
| SPIM3                   |                                      |

Table 12: AHB bus masters (listed from highest to lowest priority)

Defined bus masters are the CPU and peripherals with implemented EasyDMA. The available slaves are RAM AHB slaves. How the bus masters and slaves are connected using the interconnection matrix is illustrated in [Memory](#) on page 20.

## 4.8 Debug and trace

The debug and trace system offers a flexible and powerful mechanism for non-intrusive debugging.

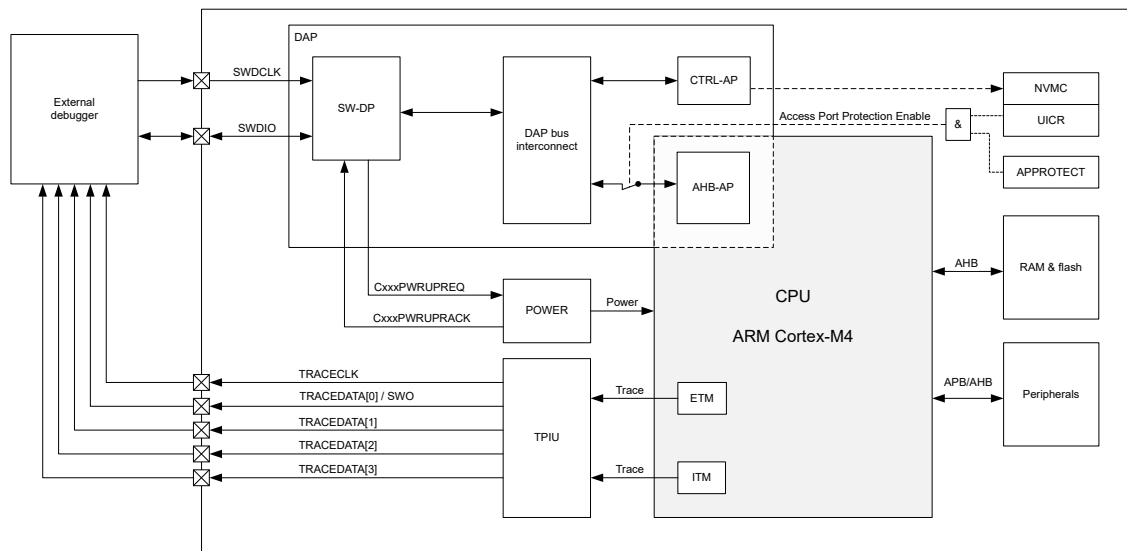


Figure 7: Debug and trace overview

The main features of the debug and trace system are the following:

- Two-pin serial wire debug (SWD) interface
- Flash patch and breakpoint (FPB) unit that supports the following comparators:
  - Two literal comparators
  - Six instruction comparators
- Data watchpoint and trace (DWT) unit with four comparators
- Instrumentation trace macrocell (ITM)
- Embedded trace macrocell (ETM)
- Trace port interface unit (TPIU)
  - 4-bit parallel trace of ITM and ETM trace data
  - Serial wire output (SWO) trace of ITM data

#### 4.8.1 DAP - Debug access port

An external debugger can access the device via the DAP.

The debug access port (DAP) implements a standard ARM<sup>®</sup> CoreSight<sup>™</sup> serial wire debug port (SW-DP), which implements the serial wire debug protocol (SWD). SWD is a two-pin serial interface, see SWDCLK and SWDIO in [Debug and trace overview](#) on page 51.

In addition to the default access port in CPU (AHB-AP), the DAP includes a custom control access port (CTRL-AP). The CTRL-AP is described in more detail in [CTRL-AP - Control access port](#) on page 54.

##### Note:

- The SWDIO line has an internal pull-up resistor.
- The SWDCLK line has an internal pull-down resistor.

#### 4.8.2 Access port protection

Access port protection blocks the debugger from read and write access to all CPU registers and memory-mapped addresses when enabled.

Access port protection is enabled and disabled differently depending on the build code of the device.

## Access port protection controlled by hardware

This information refers to build codes Dxx and earlier.

By default, access port protection is disabled.

Access port protection is enabled by writing `UICR.APPROTECT` to `Enabled` and performing any reset. See [Reset](#) on page 72 for more information.

Access port protection is disabled by issuing an ERASEALL command via CTRL-AP. This command will erase the flash, UICR, and RAM, including `UICR.APPROTECT`. Erasing UICR will set `UICR.APPROTECT` value to `Disabled`. CTRL-AP is described in more detail in [CTRL-AP - Control access port](#) on page 54.

## Access port protection controlled by hardware and software

This information refers to build codes Fxx and later.

By default, access port protection is enabled.

Access port protection is disabled by issuing an ERASEALL command via CTRL-AP. Read [CTRL-AP.APPROTECTSTATUS](#) to ensure that access port protection is disabled, and repeat the ERASEALL command if needed. This command will erase the flash, UICR, and RAM. CTRL-AP is described in more detail in [CTRL-AP - Control access port](#) on page 54. Access port protection will remain disabled until one of the following occurs:

- Pin reset
- Power or brownout reset
- Watchdog reset if not in Debug Interface Mode, see [Debug Interface mode](#) on page 56
- Wake from System OFF if not in Emulated System OFF

To keep access port protection disabled, the following actions must be performed:

- Program `UICR.APPROTECT` to `HwDisabled`. This disables the hardware part of the access port protection scheme after the first reset of any type. The hardware part of the access port protection will stay disabled as long as `UICR.APPROTECT` is not overwritten.
- Firmware must write `APPROTECT.DISABLE` to `SwDisable`. This disables the software part of the access port protection scheme.

**Note:** Register `APPROTECT.DISABLE` is reset after pin reset, power or brownout reset, watchdog reset, or wake from System OFF as mentioned above.

The following figure is an example on how a device with access port protection enabled can be erased, programmed, and configured to allow debugging. Operations sent from debugger as well as registers written by firmware will affect the access port state.



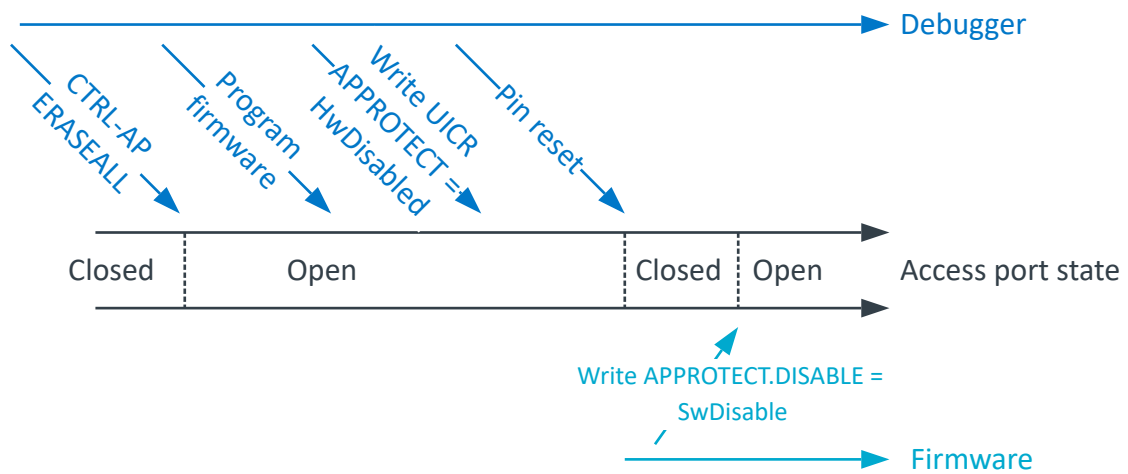


Figure 8: Access port unlocking

Access port protection is enabled when the disabling conditions are not present. For additional security, it is recommended to write Enabled to UICR.APPROTECT, and have firmware write Force to APPROTECT.FORCEPROTECT. This is illustrated in the following figure.

**Note:** Register APPROTECT.FORCEPROTECT is reset after any reset.

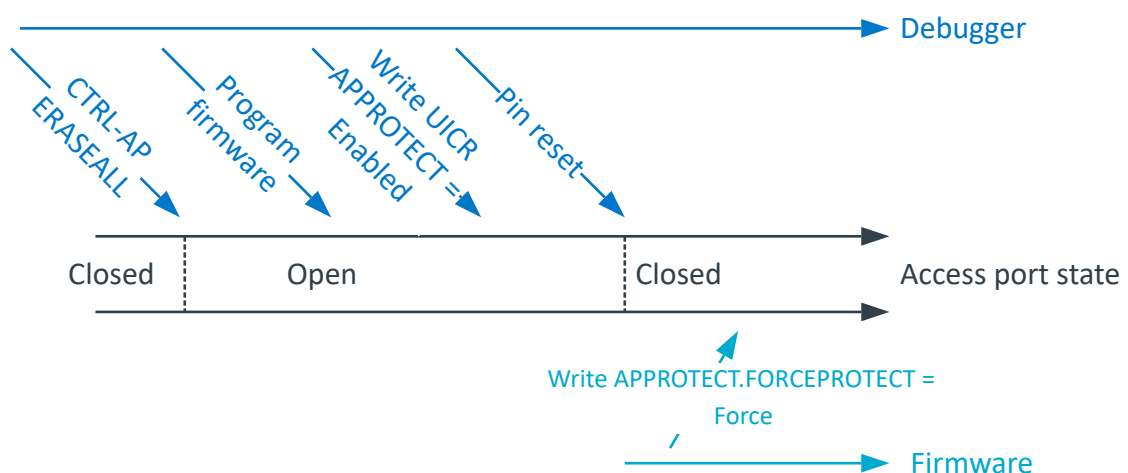


Figure 9: Force access port protection

#### 4.8.2.1 Registers

| Base address | Peripheral | Instance  | Description       | Configuration |
|--------------|------------|-----------|-------------------|---------------|
| 0x40000000   | APPROTECT  | APPROTECT | APPROTECT control |               |

Table 13: Instances

| Register     | Offset | Description   |
|--------------|--------|---|
| FORCEPROTECT | 0x550  | Software force enable APPROTECT mechanism until next reset. |
| DISABLE      | 0x558  | Software disable APPROTECT mechanism                        |

Table 14: Register overview

### 4.8.2.1.1 FORCEPROTECT

Address offset: 0x550

Software force enable APPROTECT mechanism until next reset.

| Bit number       | 31 30 29 28 27 26 25 24 23 22 21 20 19 18 17 16 15 14 13 12 11 10 9 8 7 6 5 4 3 2 1 0 |          |       |   |  |  |  |  |  |  |  |  |  |  |  |  |  |  |  |  |  |  |  |  |  |  |  |  |  |  |  |
|------------------|---|----------|-------|---|--|--|--|--|--|--|--|--|--|--|--|--|--|--|--|--|--|--|--|--|--|--|--|--|--|--|--|
| ID               | A A A A A A A A   |          |       |   |  |  |  |  |  |  |  |  |  |  |  |  |  |  |  |  |  |  |  |  |  |  |  |  |  |  |  |
| Reset 0xFFFFFFFF | 1                       |          |       |   |  |  |  |  |  |  |  |  |  |  |  |  |  |  |  |  |  |  |  |  |  |  |  |  |  |  |  |
| ID               | Acce Field  | Value ID | Value | Description                                   |  |  |  |  |  |  |  |  |  |  |  |  |  |  |  |  |  |  |  |  |  |  |  |  |  |  |  |
| A                | RW1 FORCEPROTECT  |          |       | Write 0x0 to force enable APPROTECT mechanism |  |  |  |  |  |  |  |  |  |  |  |  |  |  |  |  |  |  |  |  |  |  |  |  |  |  |  |
|                  |   | Force    | 0x0   | Software force enable APPROTECT mechanism     |  |  |  |  |  |  |  |  |  |  |  |  |  |  |  |  |  |  |  |  |  |  |  |  |  |  |  |

### 4.8.2.1.2 DISABLE

Address offset: 0x558

Software disable APPROTECT mechanism

| Bit number       | 31 30 29 28 27 26 25 24 23 22 21 20 19 18 17 16 15 14 13 12 11 10 9 8 7 6 5 4 3 2 1 0 |           |       |                                      |  |  |  |  |  |  |  |  |  |  |  |  |  |  |  |  |  |  |  |  |  |  |  |  |  |  |  |
|------------------|---|-----------|-------|--------------------------------------|--|--|--|--|--|--|--|--|--|--|--|--|--|--|--|--|--|--|--|--|--|--|--|--|--|--|--|
| ID               | A A A A A A A A   |           |       |                                      |  |  |  |  |  |  |  |  |  |  |  |  |  |  |  |  |  |  |  |  |  |  |  |  |  |  |  |
| Reset 0x00000000 | 0                       |           |       |                                      |  |  |  |  |  |  |  |  |  |  |  |  |  |  |  |  |  |  |  |  |  |  |  |  |  |  |  |
| ID               | Acce Field  | Value ID  | Value | Description                          |  |  |  |  |  |  |  |  |  |  |  |  |  |  |  |  |  |  |  |  |  |  |  |  |  |  |  |
| A                | RW DISABLE  |           |       | Software disable APPROTECT mechanism |  |  |  |  |  |  |  |  |  |  |  |  |  |  |  |  |  |  |  |  |  |  |  |  |  |  |  |
|                  |   | SwDisable | 0x5A  | Software disable APPROTECT mechanism |  |  |  |  |  |  |  |  |  |  |  |  |  |  |  |  |  |  |  |  |  |  |  |  |  |  |  |

## 4.8.3 CTRL-AP - Control access port

The control access port (CTRL-AP) is a custom access port that enables control of the device when other access ports in the DAP are disabled by the access port protection.

Access port protection is described in more detail in [Access port protection](#) on page 51.

Control access port has the following features:

- Soft reset - see [Reset](#) on page 72 for more information
- Disabling of access port protection - device control is allowed through CTRL-AP even when all other access ports in DAP are disabled by access port protection

### 4.8.3.1 Registers

| Register        | Offset | Description                                |
|-----------------|--------|--|
| RESET           | 0x000  | Soft reset triggered through CTRL-AP       |
| ERASEALL        | 0x004  | Erase all                                  |
| ERASEALLSTATUS  | 0x008  | Status register for the ERASEALL operation |
| APPROTECTSTATUS | 0x00C  | Status register for access port protection |
| IDR             | 0x0FC  | CTRL-AP identification register, IDR       |

Table 15: Register overview

#### 4.8.3.1.1 RESET

Address offset: 0x000

Soft reset triggered through CTRL-AP

| Bit number       | 31  | 30       | 29    | 28  | 27 | 26 | 25 | 24 | 23 | 22 | 21 | 20 | 19 | 18 | 17 | 16 | 15 | 14 | 13 | 12 | 11 | 10 | 9 | 8 | 7 | 6 | 5 | 4 | 3 | 2 | 1 | 0 |
|------------------|---|----------|-------|---|----|----|----|----|----|----|----|----|----|----|----|----|----|----|----|----|----|----|---|---|---|---|---|---|---|---|---|---|
| ID               |   |          |       |   |    |    |    |    |    |    |    |    |    |    |    |    |    |    |    |    |    |    |   |   |   |   |   |   |   |   |   | A |
| Reset 0x00000000 | 0 |          |       |   |    |    |    |    |    |    |    |    |    |    |    |    |    |    |    |    |    |    |   |   |   |   |   |   |   |   |   |   |
| ID               | Acce Field  | Value ID | Value | Description   |    |    |    |    |    |    |    |    |    |    |    |    |    |    |    |    |    |    |   |   |   |   |   |   |   |   |   |   |
| A                | RW  | RESET    |       | Soft reset triggered through CTRL-AP. See Reset behavior in POWER chapter for more details. |    |    |    |    |    |    |    |    |    |    |    |    |    |    |    |    |    |    |   |   |   |   |   |   |   |   |   |   |
|                  |   | NoReset  | 0     | Reset is not active   |    |    |    |    |    |    |    |    |    |    |    |    |    |    |    |    |    |    |   |   |   |   |   |   |   |   |   |   |
|                  |   | Reset    | 1     | Reset is active. Device is held in reset.   |    |    |    |    |    |    |    |    |    |    |    |    |    |    |    |    |    |    |   |   |   |   |   |   |   |   |   |   |

#### 4.8.3.1.2 ERASEALL

Address offset: 0x004

Erase all

| Bit number       | 31  | 30          | 29    | 28                      | 27 | 26 | 25 | 24 | 23 | 22 | 21 | 20 | 19 | 18 | 17 | 16 | 15 | 14 | 13 | 12 | 11 | 10 | 9 | 8 | 7 | 6 | 5 | 4 | 3 | 2 | 1 | 0 |
|------------------|---|-------------|-------|-------------------------|----|----|----|----|----|----|----|----|----|----|----|----|----|----|----|----|----|----|---|---|---|---|---|---|---|---|---|---|
| ID               |   |             |       |                         |    |    |    |    |    |    |    |    |    |    |    |    |    |    |    |    |    |    |   |   |   |   |   |   |   |   |   | A |
| Reset 0x00000000 | 0 |             |       |                         |    |    |    |    |    |    |    |    |    |    |    |    |    |    |    |    |    |    |   |   |   |   |   |   |   |   |   |   |
| ID               | Acce Field  | Value ID    | Value | Description             |    |    |    |    |    |    |    |    |    |    |    |    |    |    |    |    |    |    |   |   |   |   |   |   |   |   |   |   |
| A                | W   | ERASEALL    |       | Erase all flash and RAM |    |    |    |    |    |    |    |    |    |    |    |    |    |    |    |    |    |    |   |   |   |   |   |   |   |   |   |   |
|                  |   | NoOperation | 0     | No operation            |    |    |    |    |    |    |    |    |    |    |    |    |    |    |    |    |    |    |   |   |   |   |   |   |   |   |   |   |
|                  |   | Erase       | 1     | Erase all flash and RAM |    |    |    |    |    |    |    |    |    |    |    |    |    |    |    |    |    |    |   |   |   |   |   |   |   |   |   |   |

#### 4.8.3.1.3 ERASEALLSTATUS

Address offset: 0x008

Status register for the ERASEALL operation

| Bit number       | 31  | 30             | 29    | 28   | 27 | 26 | 25 | 24 | 23 | 22 | 21 | 20 | 19 | 18 | 17 | 16 | 15 | 14 | 13 | 12 | 11 | 10 | 9 | 8 | 7 | 6 | 5 | 4 | 3 | 2 | 1 | 0 |
|------------------|---|----------------|-------|--|----|----|----|----|----|----|----|----|----|----|----|----|----|----|----|----|----|----|---|---|---|---|---|---|---|---|---|---|
| ID               |   |                |       |  |    |    |    |    |    |    |    |    |    |    |    |    |    |    |    |    |    |    |   |   |   |   |   |   |   |   |   | A |
| Reset 0x00000000 | 0 |                |       |  |    |    |    |    |    |    |    |    |    |    |    |    |    |    |    |    |    |    |   |   |   |   |   |   |   |   |   |   |
| ID               | Acce Field  | Value ID       | Value | Description                                |    |    |    |    |    |    |    |    |    |    |    |    |    |    |    |    |    |    |   |   |   |   |   |   |   |   |   |   |
| A                | R   | ERASEALLSTATUS |       | Status register for the ERASEALL operation |    |    |    |    |    |    |    |    |    |    |    |    |    |    |    |    |    |    |   |   |   |   |   |   |   |   |   |   |
|                  |   | Ready          | 0     | ERASEALL is ready                          |    |    |    |    |    |    |    |    |    |    |    |    |    |    |    |    |    |    |   |   |   |   |   |   |   |   |   |   |
|                  |   | Busy           | 1     | ERASEALL is busy (on-going)                |    |    |    |    |    |    |    |    |    |    |    |    |    |    |    |    |    |    |   |   |   |   |   |   |   |   |   |   |

#### 4.8.3.1.4 APPROTECTSTATUS

Address offset: 0x00C

Status register for access port protection

| Bit number       | 31  | 30              | 29    | 28   | 27 | 26 | 25 | 24 | 23 | 22 | 21 | 20 | 19 | 18 | 17 | 16 | 15 | 14 | 13 | 12 | 11 | 10 | 9 | 8 | 7 | 6 | 5 | 4 | 3 | 2 | 1 | 0 |
|------------------|---|-----------------|-------|--|----|----|----|----|----|----|----|----|----|----|----|----|----|----|----|----|----|----|---|---|---|---|---|---|---|---|---|---|
| ID               |   |                 |       |  |    |    |    |    |    |    |    |    |    |    |    |    |    |    |    |    |    |    |   |   |   |   |   |   |   |   |   | A |
| Reset 0x00000000 | 0 |                 |       |  |    |    |    |    |    |    |    |    |    |    |    |    |    |    |    |    |    |    |   |   |   |   |   |   |   |   |   |   |
| ID               | Acce Field  | Value ID        | Value | Description                                |    |    |    |    |    |    |    |    |    |    |    |    |    |    |    |    |    |    |   |   |   |   |   |   |   |   |   |   |
| A                | R   | APPROTECTSTATUS |       | Status register for access port protection |    |    |    |    |    |    |    |    |    |    |    |    |    |    |    |    |    |    |   |   |   |   |   |   |   |   |   |   |
|                  |   | Enabled         | 0     | Access port protection enabled             |    |    |    |    |    |    |    |    |    |    |    |    |    |    |    |    |    |    |   |   |   |   |   |   |   |   |   |   |
|                  |   | Disabled        | 1     | Access port protection not enabled         |    |    |    |    |    |    |    |    |    |    |    |    |    |    |    |    |    |    |   |   |   |   |   |   |   |   |   |   |

#### 4.8.3.1.5 IDR

Address offset: 0x0FC

CTRL-AP identification register, IDR

| Bit number       | 31   | 30         | 29         | 28    | 27                             | 26 | 25 | 24 | 23 | 22 | 21 | 20 | 19 | 18 | 17 | 16 | 15 | 14 | 13 | 12 | 11 | 10 | 9 | 8 | 7 | 6 | 5 | 4 | 3 | 2 | 1 | 0 |
|------------------|------|------------|------------|-------|--------------------------------|----|----|----|----|----|----|----|----|----|----|----|----|----|----|----|----|----|---|---|---|---|---|---|---|---|---|---|
| ID               | E    | E          | E          | E     | D                              | D  | D  | D  | C  | C  | C  | C  | C  | C  | B  | B  | B  | B  |    |    |    |    |   |   | A | A | A | A | A | A | A | A |
| Reset 0x02880000 | 0    | 0          | 0          | 0     | 0                              | 0  | 0  | 1  | 0  | 1  | 0  | 0  | 0  | 1  | 0  | 0  | 0  | 0  | 0  | 0  | 0  | 0  | 0 | 0 | 0 | 0 | 0 | 0 | 0 | 0 | 0 | 0 |
| ID               | Acce | Field      | Value ID   | Value | Description                    |    |    |    |    |    |    |    |    |    |    |    |    |    |    |    |    |    |   |   |   |   |   |   |   |   |   |   |
| A                | R    | APID       |            |       | AP identification              |    |    |    |    |    |    |    |    |    |    |    |    |    |    |    |    |    |   |   |   |   |   |   |   |   |   |   |
| B                | R    | CLASS      | NotDefined | 0x0   | No defined class               |    |    |    |    |    |    |    |    |    |    |    |    |    |    |    |    |    |   |   |   |   |   |   |   |   |   |   |
|                  |      |            | MEMAP      | 0x8   | Memory access port             |    |    |    |    |    |    |    |    |    |    |    |    |    |    |    |    |    |   |   |   |   |   |   |   |   |   |   |
| C                | R    | JEP106ID   |            |       | JEDEC JEP106 identity code     |    |    |    |    |    |    |    |    |    |    |    |    |    |    |    |    |    |   |   |   |   |   |   |   |   |   |   |
| D                | R    | JEP106CONT |            |       | JEDEC JEP106 continuation code |    |    |    |    |    |    |    |    |    |    |    |    |    |    |    |    |    |   |   |   |   |   |   |   |   |   |   |
| E                | R    | REVISION   |            |       | Revision                       |    |    |    |    |    |    |    |    |    |    |    |    |    |    |    |    |    |   |   |   |   |   |   |   |   |   |   |

## 4.8.3.2 Electrical specification

### 4.8.3.2.1 Control access port

| Symbol              | Description                                       | Min.  | Typ. | Max. | Units |
|---------------------|---|-------|------|------|-------|
| R <sub>pull</sub>   | Internal SWDIO and SWDCLK pull up/down resistance |       | 13   |      | kΩ    |
| f <sub>SWDCLK</sub> | SWDCLK frequency                                  | 0.125 |      | 8    | MHz   |

## 4.8.4 Debug Interface mode

Before an external debugger can access either CPU's access port (AHB-AP) or the control access port (CTRL-AP), the debugger must first request the device to power up via CxxxPWRUPREQ in the SWJ-DP.

If the device is in System OFF when power is requested via CxxxPWRUPREQ, the system will wake up and the DIF flag in [RESETREAS](#) on page 78 will be set. The device is in the Debug Interface mode as long as the debugger is requesting power via CxxxPWRUPREQ. Once the debugger stops requesting power via CxxxPWRUPREQ, the device is back in normal mode. Some peripherals behave differently in Debug Interface mode compared to normal mode. These differences are described in more detail in the chapters of the peripherals that are affected.

When a debug session is over, the external debugger must make sure to put the device back into normal mode since the overall power consumption is higher in Debug Interface mode than in normal mode.

For details on how to use the debug capabilities, read the debug documentation of your IDE.

## 4.8.5 Real-time debug

The nRF52840 supports real-time debugging.

Real-time debugging allows interrupts to execute to completion in real time when breakpoints are set in Thread mode or lower priority interrupts. This enables developers to set breakpoints and single-step through the code without the risk of real-time event-driven threads running at higher priority failing. For example, this enables the device to continue to service the high-priority interrupts of an external controller or sensor without failure or loss of state synchronization while the developer steps through code in a low-priority thread.

## 4.8.6 Trace

The device supports ETM and ITM trace.

Trace data from the ETM and the ITM is sent to an external debugger via a 4-bit wide parallel trace port interface unit (TPIU), see TRACEDATA[0] through TRACEDATA[3] and TRACECLK in [Debug and trace overview](#) on page 51.

In addition to parallel trace, the TPIU supports serial trace via the serial wire output (SWO) trace protocol. Parallel and serial trace cannot be used at the same time. ETM trace is only supported in Parallel Trace mode, while ITM trace is supported in both Parallel and Serial Trace modes.

For details on how to use the trace capabilities, read the debug documentation of your IDE.

TPIU's trace pins are multiplexed with GPIOs. SWO and TRACEDATA[0] use the same GPIO. See [Pin assignments](#) on page 577 for more information.

Trace speed is configured in register [TRACECONFIG](#) on page 98. The speed of the trace pins depends on the DRIVE setting of the GPIOs that the trace pins are multiplexed with. Only S0S1 and H0H1 drives are suitable for debugging. S0S1 is the default DRIVE setting at reset. If parallel or serial trace port signals are not fast enough with the default settings, all GPIOs in use for tracing should be set to high drive (H0H1). The DRIVE setting for these GPIOs should not be overwritten by firmware during the debugging session.

## 4.8.6.1 Electrical specification

### 4.8.6.1.1 Trace port

| Symbol    | Description  | Min. | Typ. | Max. | Units |
|-----------|--|------|------|------|-------|
| $T_{cyc}$ | Clock period as defined by Arm in the Timing specifications for Trace Port Physical Interface of the Embedded Trace Macrocell Architecture Specification | 62.5 |      | 500  | ns    |

# 5 Power and clock management

## 5.1 Power management unit (PMU)

Power and clock management in nRF52840 is designed to automatically ensure maximum power efficiency.

The core of the power and clock management system is the power management unit (PMU) illustrated in the following figure.

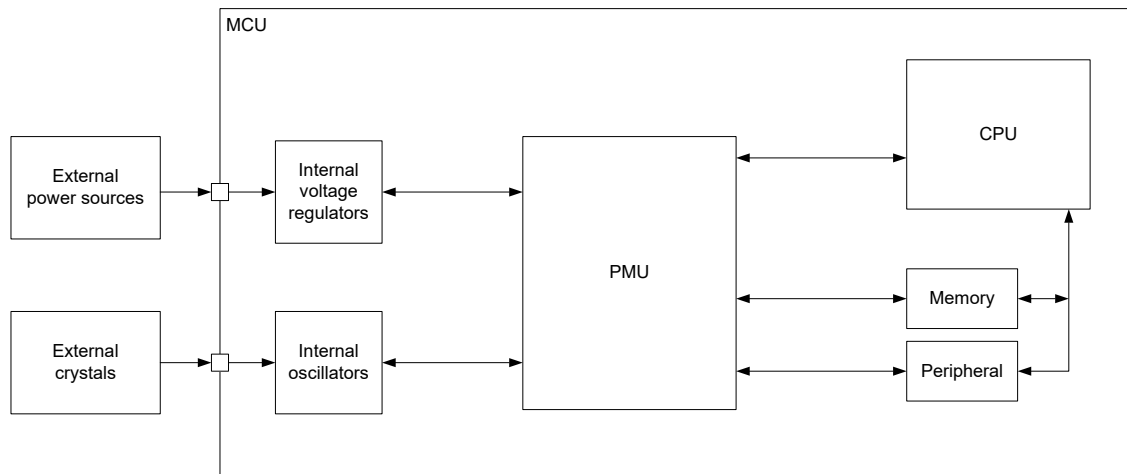


Figure 10: Power management unit

The PMU automatically detects which power and clock resources are required by the different system components at any given time. The PMU will then automatically start/stop and choose operation modes in supply regulators and clock sources, to achieve the lowest power consumption possible.

## 5.2 Current consumption

Because the system is continually being tuned by the [Power management unit \(PMU\)](#) on page 58, estimating an application's current consumption can be challenging when measurements cannot be directly performed on the hardware. To facilitate the estimation process, a set of current consumption scenarios are provided to show the typical current drawn from the VDD supply.

Each scenario specifies a set of operations and conditions applying to the given scenario. The following table shows a set of common conditions used in all scenarios, unless otherwise stated in the description of a given scenario. All scenarios are listed in [Electrical specification](#) on page 59.

| Condition                   | Value  |
|-----------------------------|--|
| Supply                      | 3 V on VDD/VDDH (Normal voltage mode)  |
| Temperature                 | 25°C   |
| CPU                         | WFI (wait for interrupt)/WFE (wait for event) sleep  |
| Peripherals                 | All idle   |
| Clock                       | Not running  |
| Regulator                   | LDO  |
| RAM                         | In System ON, full 256 kB powered. In System OFF, full 256 kB retention.   |
| Compiler                    | GCC v4.9.3 20150529 (arm-none-eabi-gcc). <ul style="list-style-type: none"> <li>Compiler flags: <code>-O0 -falign-functions=16 -fno-strict-aliasing -mcpu=cortex-m4 -mfloat-abi=soft -msoft-float -mthumb.</code></li> </ul> |
| Cache enabled <sup>2</sup>  | Yes  |
| 32 MHz crystal <sup>3</sup> | SMD 2520, 32 MHz, 10 pF +/- 10 ppm   |

Table 16: Current consumption scenarios, common conditions

## 5.2.1 Electrical specification

### 5.2.1.1 Sleep

| Symbol                           | Description   | Min. | Typ.  | Max. | Units |
|----------------------------------|---|------|-------|------|-------|
| I <sub>ON_RAMOFF_EVENT</sub>     | System ON, no RAM retention, wake on any event  |      | 0.97  |      | μA    |
| I <sub>ON_RAMON_EVENT</sub>      | System ON, full 256 kB RAM retention, wake on any event                                 |      | 2.35  |      | μA    |
| I <sub>ON_RAMON_POF</sub>        | System ON, full 256 kB RAM retention, wake on any event, power-fail comparator enabled  |      | 2.35  |      | μA    |
| I <sub>ON_RAMON_GPIOTE</sub>     | System ON, full 256 kB RAM retention, wake on GPIOTE input (event mode)                 |      | 17.37 |      | μA    |
| I <sub>ON_RAMON_GPIOTEPORT</sub> | System ON, full 256 kB RAM retention, wake on GPIOTE PORT event                         |      | 2.36  |      | μA    |
| I <sub>ON_RAMOFF_RTC</sub>       | System ON, no RAM retention, wake on RTC (running from LFRC clock)                      |      | 1.50  |      | μA    |
| I <sub>ON_RAMON_RTC</sub>        | System ON, full 256 kB RAM retention, wake on RTC (running from LFRC clock)             |      | 3.16  |      | μA    |
| I <sub>OFF_RAMOFF_RESET</sub>    | System OFF, no RAM retention, wake on reset   |      | 0.40  |      | μA    |
| I <sub>OFF_RAMOFF_LPCOMP</sub>   | System OFF, no RAM retention, wake on LPCOMP  |      | 0.86  |      | μA    |
| I <sub>OFF_RAMON_RESET</sub>     | System OFF, full 256 kB RAM retention, wake on reset                                    |      | 1.86  |      | μA    |
| I <sub>ON_RAMOFF_EVENT_5V</sub>  | System ON, no RAM retention, wake on any event, 5 V supply on VDDH, REGO output = 3.3 V |      | 1.29  |      | μA    |
| I <sub>OFF_RAMOFF_RESET_5V</sub> | System OFF, no RAM retention, wake on reset, 5 V supply on VDDH, REGO output = 3.3 V    |      | 0.95  |      | μA    |

<sup>2</sup> Applies only when CPU is running from flash memory

<sup>3</sup> Applies only when HFXO is running

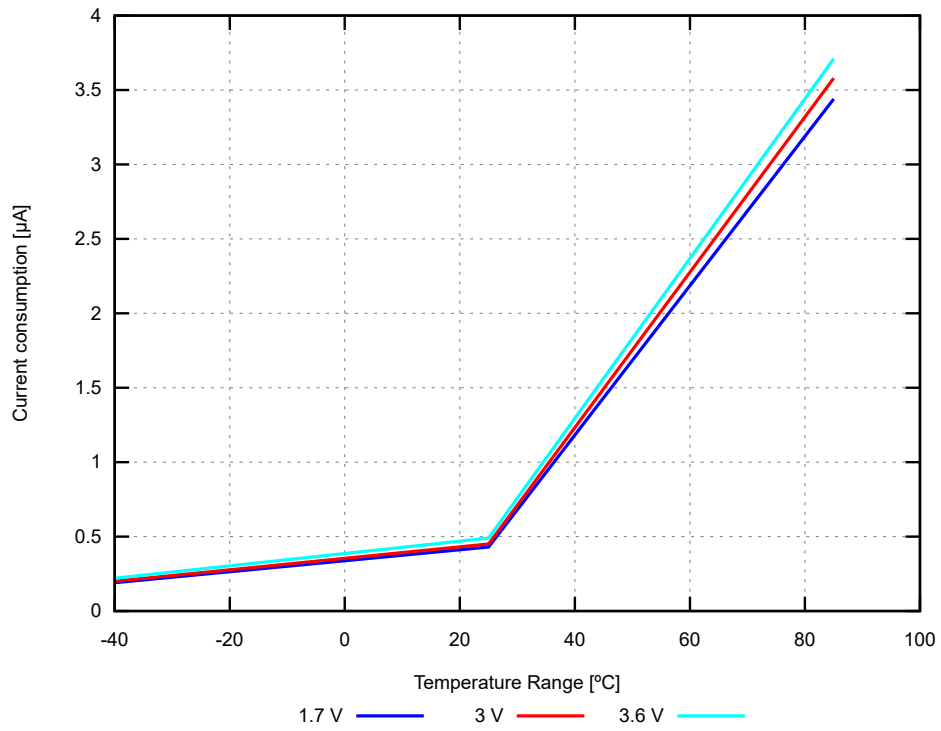


Figure 11: System OFF, no RAM retention, wake on reset (typical values)

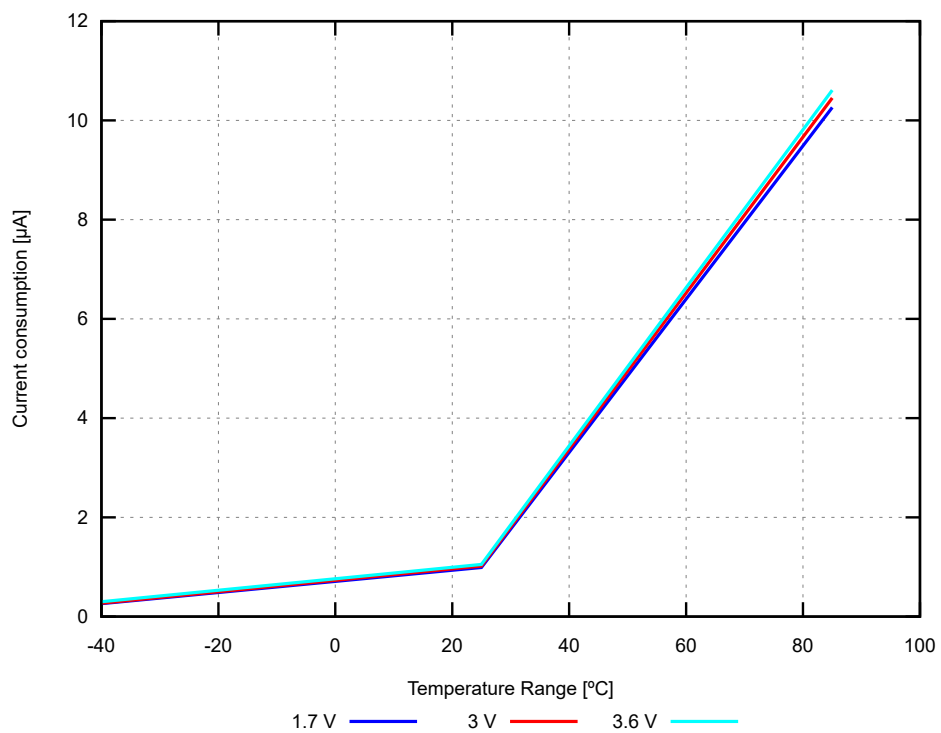


Figure 12: System ON, no RAM retention, wake on any event (typical values)



### 5.2.1.2 COMP active

| Symbol                 | Description                   | Min. | Typ. | Max. | Units |
|------------------------|-------------------------------|------|------|------|-------|
| I <sub>COMP,LP</sub>   | COMP enabled, low power mode  |      | 30.1 |      | μA    |
| I <sub>COMP,NORM</sub> | COMP enabled, normal mode     |      | 31.8 |      | μA    |
| I <sub>COMP,HS</sub>   | COMP enabled, high-speed mode |      | 35.1 |      | μA    |

### 5.2.1.3 CPU running

| Symbol            | Description   | Min. | Typ. | Max. | Units |
|-------------------|---|------|------|------|-------|
| I <sub>CPU0</sub> | CPU running CoreMark @64 MHz from flash, Clock = HFXO, Regulator = DC/DC  |      | 3.3  |      | mA    |
| I <sub>CPU1</sub> | CPU running CoreMark @64 MHz from flash, Clock = HFXO                     |      | 6.3  |      | mA    |
| I <sub>CPU2</sub> | CPU running CoreMark @64 MHz from RAM, Clock = HFXO, Regulator = DC/DC    |      | 2.8  |      | mA    |
| I <sub>CPU3</sub> | CPU running CoreMark @64 MHz from RAM, Clock = HFXO                       |      | 5.2  |      | mA    |
| I <sub>CPU4</sub> | CPU running CoreMark @64 MHz from flash, Clock = HFINT, Regulator = DC/DC |      | 3.1  |      | mA    |

### 5.2.1.4 NFCT active

| Symbol                 | Description                         | Min. | Typ. | Max. | Units |
|------------------------|-------------------------------------|------|------|------|-------|
| I <sub>sense</sub>     | Current in SENSE STATE <sup>4</sup> |      | 100  |      | nA    |
| I <sub>activated</sub> | Current in ACTIVATED STATE          |      | 400  |      | μA    |

### 5.2.1.5 Radio transmitting/receiving

| Symbol                 | Description   | Min. | Typ.  | Max. | Units |
|------------------------|---|------|-------|------|-------|
| I <sub>RADIO_TX0</sub> | Radio transmitting @ 8 dBm output power, 1 Mbps Bluetooth <sup>®</sup> Low Energy (BLE) mode, Clock = HFXO, Regulator = DC/DC |      | 16.40 |      | mA    |
| I <sub>RADIO_TX1</sub> | Radio transmitting @ 0 dBm output power, 1 Mbps BLE mode, Clock = HFXO, Regulator = DC/DC                                     |      | 6.40  |      | mA    |
| I <sub>RADIO_TX2</sub> | Radio transmitting @ -40 dBm output power, 1 Mbps BLE mode, Clock = HFXO, Regulator = DC/DC                                   |      | 3.83  |      | mA    |
| I <sub>RADIO_TX3</sub> | Radio transmitting @ 0 dBm output power, 1 Mbps BLE mode, Clock = HFXO  |      | 10.80 |      | mA    |
| I <sub>RADIO_TX4</sub> | Radio transmitting @ -40 dBm output power, 1 Mbps BLE mode, Clock = HFXO  |      | 4.82  |      | mA    |
| I <sub>RADIO_TX5</sub> | Radio transmitting @ 0 dBm output power, 250 kbit/s IEEE 802.15.4-2006 mode, Clock = HFXO, Regulator = DC/DC                  |      | 6.40  |      | mA    |
| I <sub>RADIO_RX0</sub> | Radio receiving @ 1 Mbps BLE mode, Clock = HFXO, Regulator = DC/DC  |      | 6.26  |      | mA    |
| I <sub>RADIO_RX1</sub> | Radio receiving @ 1 Mbps BLE mode, Clock = HFXO   |      | 10.10 |      | mA    |
| I <sub>RADIO_RX2</sub> | Radio receiving @ 250 kbit/s IEEE 802.15.4-2006 mode, Clock = HFXO, Regulator = DC/DC   |      | 6.53  |      | mA    |

<sup>4</sup> This current does not apply when in NFC field

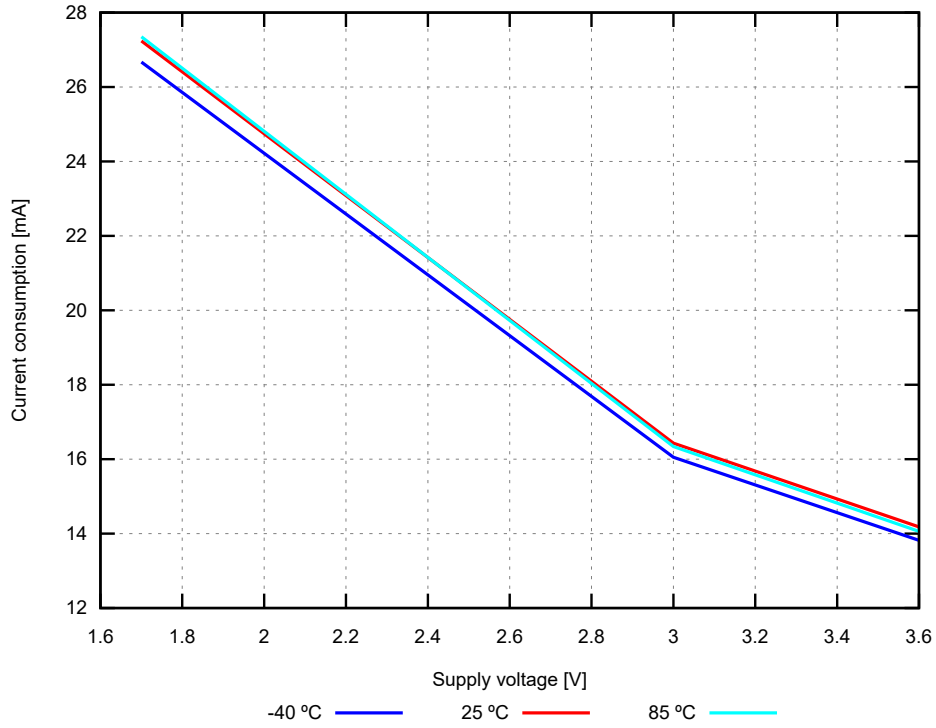


Figure 13: Radio transmitting @ 8 dBm output power, 1 Mbps BLE mode, Clock = HFXO, Regulator = DC/DC (typical values)

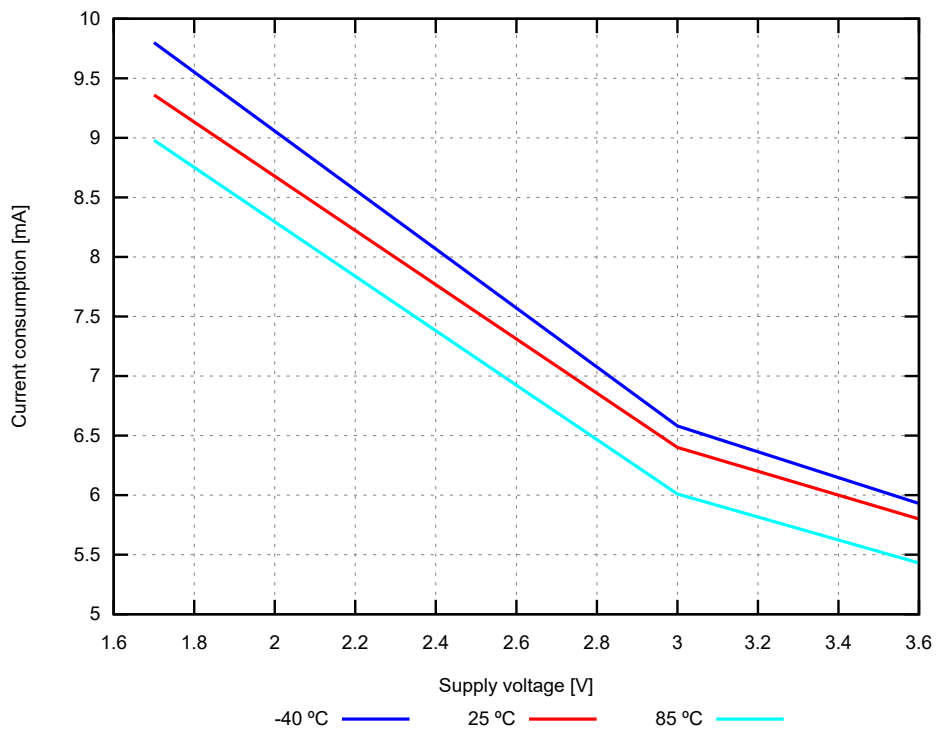


Figure 14: Radio transmitting @ 0 dBm output power, 1 Mbps BLE mode, Clock = HFXO, Regulator = DC/DC (typical values)

### 5.2.1.6 RNG active

| Symbol            | Description | Min. | Typ. | Max. | Units |
|-------------------|-------------|------|------|------|-------|
| I <sub>RNG0</sub> | RNG running |      | 635  |      | μA    |

### 5.2.1.7 SAADC active

| Symbol                 | Description   | Min. | Typ. | Max. | Units |
|------------------------|---|------|------|------|-------|
| I <sub>SAADC,RUN</sub> | SAADC sampling @ 16 ksps, Acquisition time = 20 μs, Clock = HFXO, Regulator = DC/DC |      | 1.24 |      | mA    |

### 5.2.1.8 TEMP active

| Symbol             | Description  | Min. | Typ. | Max. | Units |
|--------------------|--------------|------|------|------|-------|
| I <sub>TEMP0</sub> | TEMP started |      | 1.05 |      | mA    |

### 5.2.1.9 TIMER running

| Symbol              | Description  | Min. | Typ. | Max. | Units |
|---------------------|--|------|------|------|-------|
| I <sub>TIMER0</sub> | One TIMER instance running @ 1 MHz, Clock = HFINT  |      | 418  |      | μA    |
| I <sub>TIMER1</sub> | Two TIMER instances running @ 1 MHz, Clock = HFINT |      | 418  |      | μA    |
| I <sub>TIMER2</sub> | One TIMER instance running @ 1 MHz, Clock = HFXO   |      | 646  |      | μA    |
| I <sub>TIMER3</sub> | One TIMER instance running @ 16 MHz, Clock = HFINT |      | 595  |      | μA    |
| I <sub>TIMER4</sub> | One TIMER instance running @ 16 MHz, Clock = HFXO  |      | 823  |      | μA    |

### 5.2.1.10 USB running

| Symbol                        | Description   | Min. | Typ. | Max. | Units |
|-------------------------------|---|------|------|------|-------|
| I <sub>USB,ACTIVE,VBUS</sub>  | Current from VBUS supply, USB active  |      | 2.4  |      | mA    |
| I <sub>USB,SUSPEND,VBUS</sub> | Current from VBUS supply, USB suspended, CPU sleeping   |      | 262  |      | μA    |
| I <sub>USB,ACTIVE,VDD</sub>   | Current from VDD supply (normal voltage mode), all RAM retained, regulator=LDO, CPU running, USB active                           |      | 7.73 |      | mA    |
| I <sub>USB,SUSPEND,VDD</sub>  | Current from VDD supply (normal voltage mode), all RAM retained, regulator=LDO, CPU sleeping, USB suspended                       |      | 173  |      | μA    |
| I <sub>USB,ACTIVE,VDDH</sub>  | Current from VDDH supply (high voltage mode), VDD=3 V (REG0 output), all RAM retained, regulator=LDO, CPU running, USB active     |      | 7.46 |      | mA    |
| I <sub>USB,SUSPEND,VDDH</sub> | Current from VDDH supply (high voltage mode), VDD=3 V (REG0 output), all RAM retained, regulator=LDO, CPU sleeping, USB suspended |      | 178  |      | μA    |
| I <sub>USB,DISABLED,VDD</sub> | Current from VDD supply, USB disabled, VBUS supply connected, all RAM retained, regulator=LDO, CPU sleeping                       |      | 7    |      | μA    |

### 5.2.1.11 WDT active

| Symbol                   | Description | Min. | Typ. | Max. | Units |
|--------------------------|-------------|------|------|------|-------|
| I <sub>WDT,STARTED</sub> | WDT started |      | 3.1  |      | μA    |

### 5.2.1.12 Compounded

| Symbol          | Description   | Min. | Typ. | Max. | Units |
|-----------------|---|------|------|------|-------|
| I <sub>50</sub> | CPU running CoreMark from flash, Radio transmitting @ 0 dBm output power, 1 Mbps <i>Bluetooth</i> <sup>®</sup> Low Energy (BLE) mode, Clock = HFXO, Regulator = DC/DC |      | 8.1  |      | mA    |
| I <sub>51</sub> | CPU running CoreMark from flash, Radio receiving @ 1 Mbps BLE mode, Clock = HFXO, Regulator = DC/DC   |      | 8.6  |      | mA    |
| I <sub>52</sub> | CPU running CoreMark from flash, Radio transmitting @ 0 dBm output power, 1 Mbps BLE mode, Clock = HFXO   |      | 15.4 |      | mA    |
| I <sub>53</sub> | CPU running CoreMark from flash, Radio receiving @ 1 Mbps BLE mode, Clock = HFXO  |      | 16.2 |      | mA    |
| I <sub>54</sub> | CPU running CoreMark from flash, Radio transmitting @ 0 dBm output power, 1 Mbps BLE mode, Clock = HFXO, Regulator = DC/DC, 5 V supply on VDDH, REGO output = 3.3 V   |      | 11.9 |      | mA    |
| I <sub>55</sub> | CPU running CoreMark from flash, Radio receiving @ 1 Mbps BLE mode, Clock = HFXO, Regulator = DC/DC, 5 V supply on VDDH, REGO output = 3.3 V                          |      | 12.7 |      | mA    |

## 5.3 POWER — Power supply

The power supply consists of a number of LDO and DC/DC regulators that are utilized to maximize the system's power efficiency.

This device has the following power supply features:

- On-chip LDO and DC/DC regulators
- Global System ON/OFF modes
- Individual RAM section power control for all system modes
- Analog or digital pin wakeup from System OFF
- Supervisor hardware to manage power-on reset, brownout, and power failure
- Auto-controlled refresh modes for LDO and DC/DC regulators to maximize efficiency
- External circuitry supply
- Separate USB supply

### 5.3.1 Main supply

The main supply voltage is connected to the VDD/VDDH pins. The system will enter one of two supply voltage modes, Normal or High Voltage mode, depending on how the supply voltage is connected to these pins.

**Note:** VDD and VDDH are shortcircuited inside the QFN48 package. Therefore the QFN48 device is only usable in Normal Voltage supply mode, and not High Voltage supply mode.

The system enters Normal Voltage mode when the supply voltage is connected to both the VDD and VDDH pins (pin VDD shorted to pin VDDH). For the supply voltage range to connect to both VDD and VDDH pins, see parameter  $V_{DD}$ .

The system enters High Voltage mode when the supply voltage is only connected to the VDDH pin and the VDD pin is not connected to any voltage supply. For the supply voltage range to connect to the VDDH pin, see parameter  $V_{DDH}$ .

The register [MAINREGSTATUS](#) on page 82 can be used to read the current supply voltage mode.

### 5.3.1.1 Main voltage regulators

The system contains two main supply regulator stages, REG0 and REG1.

Each regulator stage has the following regulator type options:

- Low-dropout regulator (LDO)
- Buck regulator (DC/DC)

In Normal Voltage mode, only the REG1 regulator stage is used, and the REG0 stage is automatically disabled. In High Voltage mode, both regulator stages (REG0 and REG1) are used. The output voltage of REG0 can be configured in register [REGOUT0](#) on page 46. This output voltage is connected to VDD and is the input voltage to REG1.

**Note:** In High Voltage mode, the configured output voltage for REG0 ([REGOUT0](#) on page 46) must not be greater than REG0 input voltage minus the voltage drop in REG0 ( $V_{DDH} - V_{VDDH-VDD}$ ).

By default, the LDO regulators are enabled and the DC/DC regulators are disabled. Registers [DCDCEN0](#) on page 81 and [DCDCEN](#) on page 81 are used to enable the DC/DC regulators for REG0 and REG1 stages respectively.

When a DC/DC converter is enabled, the corresponding LDO regulator is disabled. External LC filters must be connected for each of the DC/DC regulators if they are being used. The advantage of using a DC/DC regulator is that the overall power consumption is normally reduced as the efficiency of such a regulator is higher than that of a LDO. The efficiency gained by using a DC/DC regulator is best seen when the regulator voltage drop (difference between input and output voltage) is high. The efficiency of internal regulators vary with the supply voltage and the current drawn from the regulators.

**Note:** Do not enable the DC/DC regulator without an external LC filter being connected as this will inhibit device operation, including debug access, until an LC filter is connected.

### 5.3.1.2 GPIO levels

The GPIO high reference voltage is equal to the level on the VDD pin.

In Normal Voltage mode, the GPIO high level equals the voltage supplied to the VDD pin. In High Voltage mode, it equals the level specified in register [REGOUT0](#) on page 46.

### 5.3.1.3 External circuitry supply

In High Voltage mode, the output from REG0 can be used to supply external circuitry from the VDD pin.

The VDD output voltage is configured in the register [REGOUT0](#) on page 46.

The supported output voltage range depends on the supply voltage provided by the VDDH pin. Minimum difference between voltage supplied on the VDDH pin and the voltage output on the VDD pin is defined by the  $V_{REG0,DROP}$  parameter in [Regulator specifications, REG0 stage](#) on page 83.

Supplying external circuitry is allowed in both System OFF and System ON mode.

**Note:** The maximum allowed current drawn by external circuitry is dependent on the total internal current draw. The maximum current that can be drawn externally from REG0 is defined in [Regulator specifications, REG0 stage](#) on page 83).

### 5.3.1.4 Regulator configuration examples

The voltage regulators can be configured in several ways, depending on the selected supply voltage mode (Normal/High) and the regulator type option (LDO or DC/DC).

Four configuration examples are illustrated in the following figures.

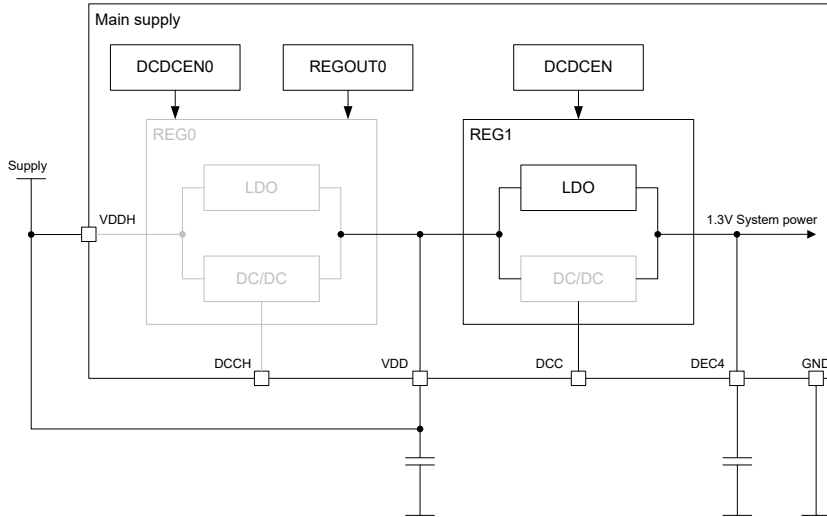


Figure 15: Normal Voltage mode, LDO only

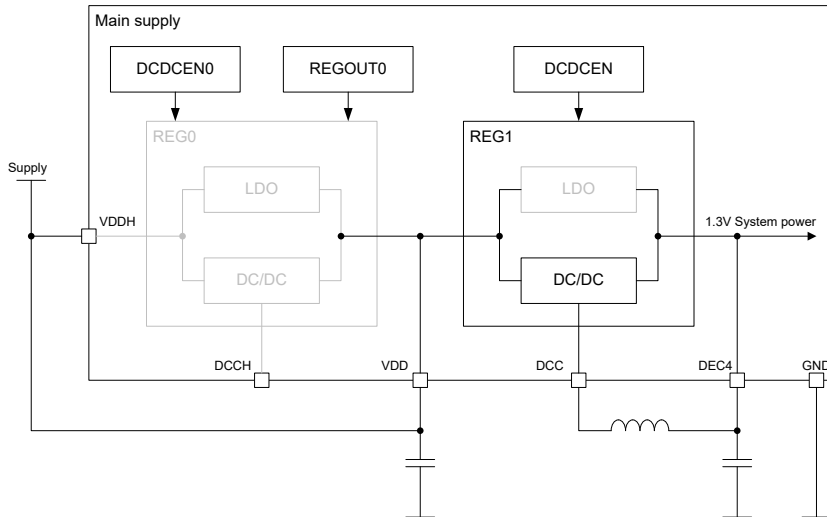


Figure 16: Normal Voltage mode, DC/DC REG1 enabled

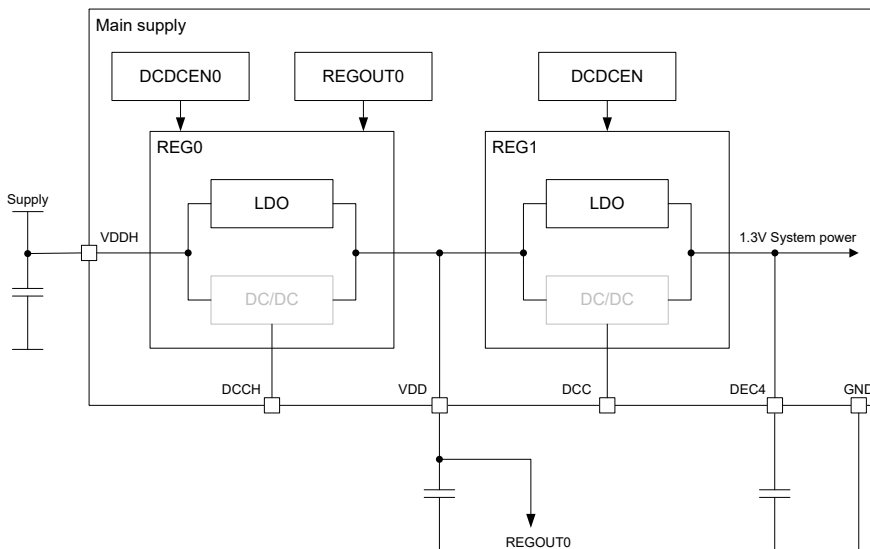


Figure 17: High Voltage mode, LDO only

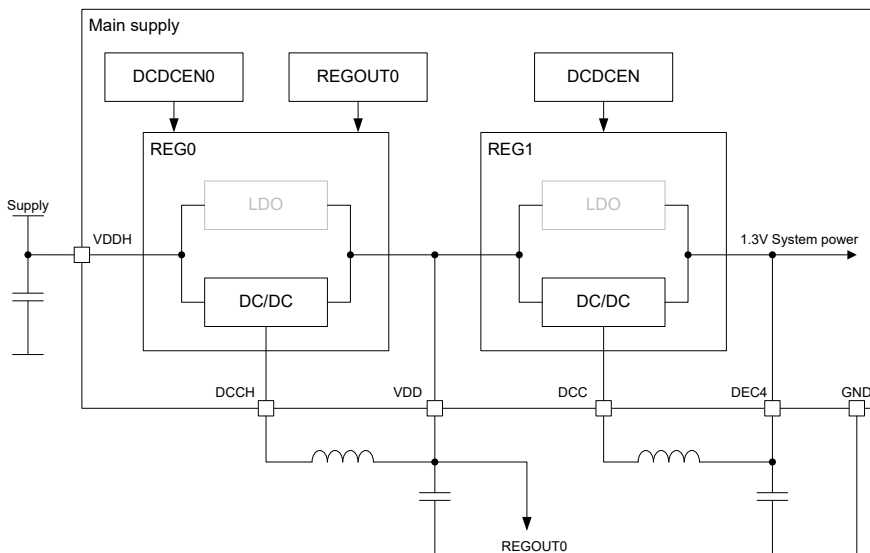


Figure 18: High Voltage mode, DC/DC for REG0 and REG1 enabled

### 5.3.1.5 Power supply supervisor

The power supply supervisor enables monitoring of the connected power supply.

The power supply supervisor provides the following functionality:

- Power-on reset - signals the circuit when a supply is connected
- An optional power-fail comparator (POF) - signals the application when the supply voltages drop below a configured threshold
- A fixed brownout reset detector - holds the system in reset when the voltage is too low for safe operation

The power supply supervisor is illustrated in the following figure.

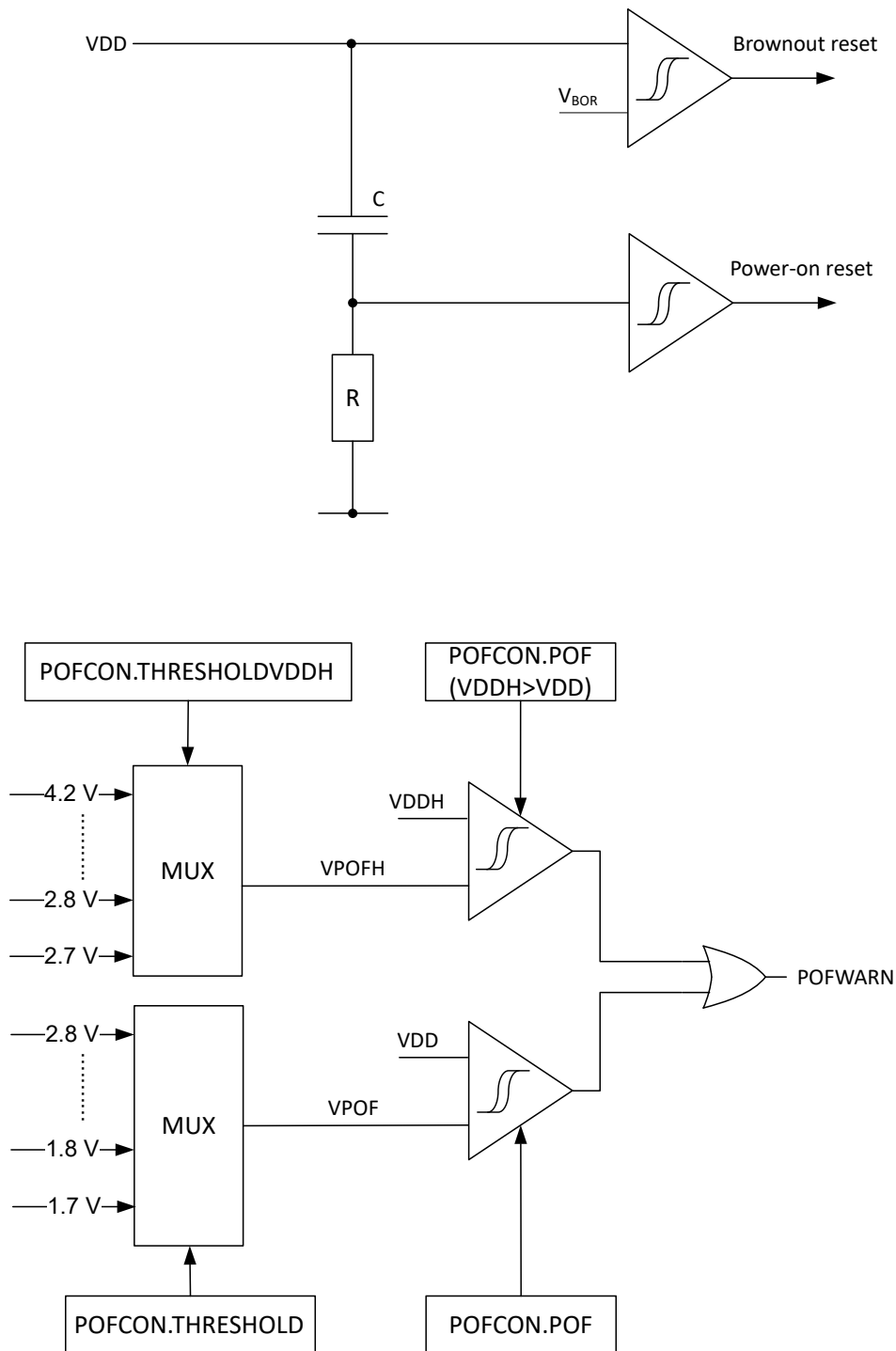


Figure 19: Power supply supervisor

### 5.3.1.6 Power-fail comparator

Using the power-fail comparator (POF) is optional. When enabled, it can provide an early warning to the CPU of an impending power supply failure.

To enable and configure the power-fail comparator, see the register [POFCON](#) on page 80.

When the supply voltage falls below the defined threshold, the power-fail comparator generates an event (POFWARN) that can be used by an application to prepare for power failure. This event is also generated when the supply voltage is already below the threshold at the time the power-fail comparator is enabled, or if the threshold is re-configured to a level above the supply voltage.



If the power failure warning is enabled, and the supply voltage is below the threshold, the power-fail comparator will prevent the **NVMC** from performing write operations to the flash.

The comparator features a hysteresis of  $V_{\text{HYST}}$ , as illustrated in the following figure.

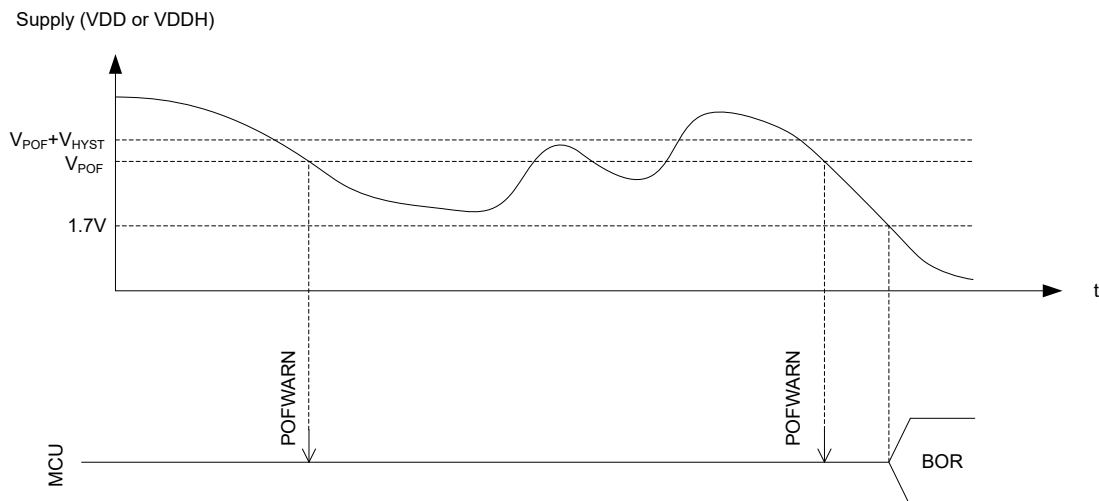


Figure 20: Power-fail comparator (BOR = brownout reset)

To save power, the power-fail comparator is not active in System OFF or System ON when HFCLK is not running.

### 5.3.2 USB supply

When using the USB peripheral, a 5 V USB supply needs to be provided to the VBUS pin.

The USB peripheral has a dedicated internal voltage regulator for converting the VBUS supply to 3.3 V used by the USB signalling interface (D+ and D- lines, and pull-up on D+). The remainder of the USB peripheral (USB D) is supplied through the main supply like other on-chip features. As a consequence, VBUS and either VDDH or VDD supplies are required for USB peripheral operation.

When VBUS rises into its valid range, the software is notified through a USBDETECTED event. A USBREMOVED event is sent when VBUS goes below its valid range. Use these events to implement the USB D start-up sequence described in the **USB D** chapter.

When VBUS rises into its valid range while the device is in System OFF, the device resets and transitions to System ON mode. The **RESETREAS** register will have the VBUS bit set to indicate the source of the wake-up.

See **VBUS detection specifications** on page 85 for the levels at which the events are sent ( $V_{\text{BUS,DETECT}}$  and  $V_{\text{BUS,REMOVE}}$ ) or at which the system is woken up from System OFF ( $V_{\text{BUS,DETECT}}$ ).

When the USB D peripheral is enabled through the **ENABLE** register, and VBUS is detected, the regulator is turned on. A USBPWRRDY event is sent when the regulator's worst case settling time has elapsed, indicating to the software that it can enable the USB pull-up to signal a USB connection to the host.

The software can read the state of the VBUS detection and regulator output readiness at any time through the **USBREGSTATUS** register.

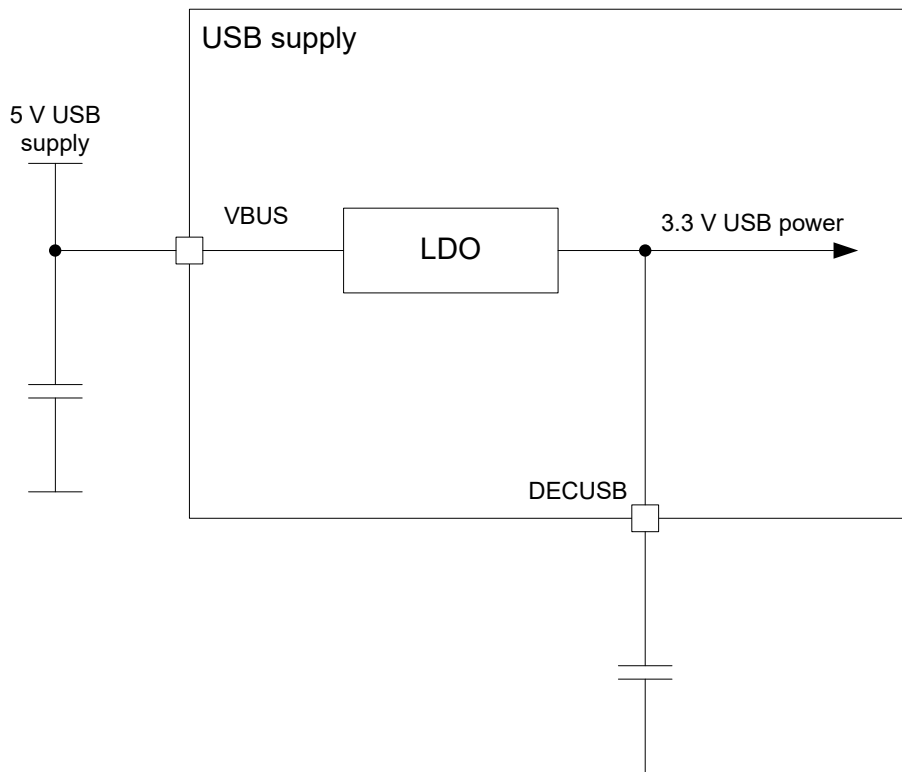


Figure 21: USB voltage regulator

To ensure stability, the input and output of the USB regulator need to be decoupled with a suitable decoupling capacitor. See [Reference circuitry](#) on page 588 for the recommended values.

### 5.3.3 System OFF mode

System OFF is the deepest power saving mode the system can enter. In this mode, the system's core functionality is powered down and all ongoing tasks are terminated.

The device can be put into System OFF mode using the register [SYSTEMOFF](#) on page 79. When in System OFF mode, the device can be woken up through one of the following signals:

- The DETECT signal, optionally generated by the GPIO peripheral.
- The ANADETECT signal, optionally generated by the LPCOMP module.
- The SENSE signal, optionally generated by the NFC module to wake-on-field.
- Detecting a [valid USB voltage](#) on the VBUS pin ( $V_{BUS,DETECT}$ ).
- A reset.

The system is reset when it wakes up from System OFF mode.

One or more RAM sections can be retained in System OFF mode, depending on the settings in the RAM[n].POWER registers. RAM[n].POWER are retained registers. These registers are usually overwritten by the start-up code provided with the nRF application examples.

Before entering System OFF mode, all on-going EasyDMA transactions need to have completed. See peripheral specific chapters for more information about how to acquire the status of EasyDMA transactions.

#### 5.3.3.1 Emulated System OFF mode

If the device is in Debug Interface mode, System OFF will be emulated to secure that all required resources needed for debugging are available during System OFF.

Required resources needed for debugging include the following key components:

- [Debug and trace](#) on page 50
- [CLOCK — Clock control](#) on page 85
- [POWER — Power supply](#) on page 64
- [NVMC — Non-volatile memory controller](#) on page 24
- [CPU](#) on page 19
- Flash memory
- RAM

See [Debug and trace](#) on page 50 for more information.

Because the CPU is kept on in an emulated System OFF mode, it is recommended to add an infinite loop directly after entering System OFF, to prevent the CPU from executing code that normally should not be executed.

### 5.3.4 System ON mode

System ON is the default state after power-on reset. In System ON mode, all functional blocks such as the CPU or peripherals can be in IDLE or RUN mode, depending on the configuration set by the software and the state of the application executing.

Register [RESETREAS](#) on page 78 provides information about the source causing the wakeup or reset.

The system can switch the appropriate internal power sources on and off, depending on the amount of power needed at any given time. The power requirement of a peripheral is directly related to its activity level, and the activity level of a peripheral fluctuates when specific tasks are triggered or events are generated.

#### 5.3.4.1 Sub-power modes

In System ON mode, when the CPU and all peripherals are in IDLE mode, the system can reside in one of the two sub-power modes.

The sub-power modes are:

- Constant Latency
- Low-power

In Constant Latency mode, the CPU wakeup latency and the PPI task response are constant and kept at a minimum. This is secured by forcing a set of basic resources to be turned on while in sleep. The cost of constant and predictable latency is increased power consumption. Constant Latency mode is selected by triggering the CONSTLAT task.

In Low-power mode, the automatic power management system described in [System ON mode](#) on page 71 ensures that the most efficient supply option is chosen to save power. The cost of having the lowest possible power consumption is a varying CPU wakeup latency and PPI task response. Low-power mode is selected by triggering the LOWPWR task.

When the system enters System ON mode, it is by default in the sub-power mode Low-power.

### 5.3.5 RAM power control

The RAM power control registers are used for configuring the following:

- The RAM sections to be retained during System OFF
- The RAM sections to be retained and accessible during System ON

In System OFF, retention of a RAM section is configured in the RETENTION field of the corresponding register [RAM\[n\].POWER \(n=0..8\)](#) on page 82.

In System ON, retention and accessibility of a RAM section is configured in the RETENTION and POWER fields of the corresponding register [RAM\[n\].POWER \(n=0..8\)](#) on page 82.

The following table summarizes the behavior of these registers.

| Configuration |                    |                        | RAM section status |          |
|---------------|--------------------|------------------------|--------------------|----------|
| System on/off | RAM[n].POWER.POWER | RAM[n].POWER.RETENTION | Accessible         | Retained |
| Off           | x                  | Off                    | No                 | No       |
| Off           | x                  | On                     | No                 | Yes      |
| On            | Off                | Off                    | No                 | No       |
| On            | Off <sup>5</sup>   | On                     | No                 | Yes      |
| On            | On                 | x                      | Yes                | Yes      |

Table 17: RAM section configuration

The advantage of not retaining RAM contents is that the overall current consumption is reduced.

See [Memory](#) on page 20 for more information on RAM sections.

### 5.3.6 Reset

Several sources may trigger a reset.

After a reset has occurred, register [RESETREAS](#) can be read to determine which source triggered the reset.

#### 5.3.6.1 Power-on reset

The power-on reset generator initializes the system at power-on.

The system is held in reset state until the supply has reached the minimum operating voltage and the internal voltage regulators have started.

#### 5.3.6.2 Pin reset

A pin reset is generated when the physical reset pin on the device is asserted.

Pin reset is configured via both registers [PSELRESET\[n\]](#) ( $n=0..1$ ) on page 45.

#### 5.3.6.3 Wakeup from System OFF mode reset

The device is reset when it wakes up from System OFF mode.

The debug access port (DAP) is not reset following a wake up from System OFF mode if the device is in Debug Interface mode. See chapter [Debug and trace](#) on page 50 for more information.

#### 5.3.6.4 Soft reset

A soft reset is generated when the SYSRESETREQ bit of the application interrupt and reset control register (AIRCR) in the ARM® core is set.

See [ARM documentation](#) for more details.

A soft reset can also be generated via the register [RESET](#) on page 54 in the CTRL-AP.

#### 5.3.6.5 Watchdog reset

A Watchdog reset is generated when the watchdog times out.

See chapter [WDT — Watchdog timer](#) on page 572 for more information.

<sup>5</sup> Not useful. RAM section power off gives negligible reduction in current consumption when retention is on.

### 5.3.6.6 Brownout reset

The brownout reset generator puts the system in a reset state if VDD drops below the brownout reset (BOR) threshold.

See section [Power fail comparator](#) on page 85 for more information.

### 5.3.6.7 Retained registers

A retained register is one that will retain its value in System OFF mode and through a reset, depending on the reset source. See the individual peripheral chapters for information on which of their registers are retained.

### 5.3.6.8 Reset behavior

The various reset sources and their targets are summarized in the table below.

| Reset source                      | Reset target |             |      |                    |        |                |     |                    |           |
|-----------------------------------|--------------|-------------|------|--------------------|--------|----------------|-----|--------------------|-----------|
|                                   | CPU          | Peripherals | GPIO | Debug <sup>6</sup> | SWJ-DP | RAM            | WDT | Retained registers | RESETREAS |
| CPU lockup <sup>7</sup>           | x            | x           | x    |                    |        |                |     |                    |           |
| Soft reset                        | x            | x           | x    |                    |        |                |     |                    |           |
| Wakeup from System OFF mode reset | x            | x           |      | x <sup>8</sup>     |        | x <sup>9</sup> | x   |                    |           |
| Watchdog reset <sup>10</sup>      | x            | x           | x    | x                  |        | x              | x   | x                  |           |
| Pin reset                         | x            | x           | x    | x                  |        | x              | x   | x                  |           |
| Brownout reset                    | x            | x           | x    | x                  | x      | x              | x   | x                  | x         |
| Power-on reset                    | x            | x           | x    | x                  | x      | x              | x   | x                  | x         |

**Note:** The RAM is never reset, but depending on a reset source the content of RAM may be corrupted.

## 5.3.7 Registers

| Base address | Peripheral | Instance | Description   | Configuration |
|--------------|------------|----------|---------------|---------------|
| 0x40000000   | POWER      | POWER    | Power control |               |

Table 18: Instances

| Register          | Offset | Description                              |
|-------------------|--------|--|
| TASKS_CONSTLAT    | 0x78   | Enable Constant Latency mode             |
| TASKS_LOWPWR      | 0x7C   | Enable Low-power mode (variable latency) |
| EVENTS_POFWARN    | 0x108  | Power failure warning                    |
| EVENTS_SLEEPENTER | 0x114  | CPU entered WFI/WFE sleep                |

<sup>6</sup> All debug components excluding SWJ-DP. See [Debug and trace](#) on page 50 for more information about the different debug components.

<sup>7</sup> Reset from CPU lockup is disabled if the device is in Debug Interface mode. CPU lockup is not possible in System OFF.

<sup>8</sup> The debug components will not be reset if the device is in Debug Interface mode.

<sup>9</sup> RAM is not reset on wakeup from System OFF mode. RAM, or certain parts of RAM, may not be retained after the device has entered System OFF mode, depending on the settings in the RAM registers.

<sup>10</sup> Watchdog reset is not available in System OFF.

| Register          | Offset | Description                           |            |
|-------------------|--------|---------------------------------------|------------|
| EVENTS_SLEEPEXIT  | 0x118  | CPU exited WFI/WFE sleep              |            |
| EVENTS_USBDTECTED | 0x11C  | Voltage supply detected on VBUS       |            |
| EVENTS_USBREMOVED | 0x120  | Voltage supply removed from VBUS      |            |
| EVENTS_USBPWRRDY  | 0x124  | USB 3.3 V supply ready                |            |
| INTENSET          | 0x304  | Enable interrupt                      |            |
| INTENCLR          | 0x308  | Disable interrupt                     |            |
| RESETRAS          | 0x400  | Reset reason                          |            |
| RAMSTATUS         | 0x428  | RAM status register                   | Deprecated |
| USBREGSTATUS      | 0x438  | USB supply status                     |            |
| SYSTEMOFF         | 0x500  | System OFF register                   |            |
| POFCON            | 0x510  | Power-fail comparator configuration   |            |
| GPREGRET          | 0x51C  | General purpose retention register    |            |
| GPREGRET2         | 0x520  | General purpose retention register    |            |
| DCDCEN            | 0x578  | Enable DC/DC converter for REG1 stage |            |
| DCDCEN0           | 0x580  | Enable DC/DC converter for REG0 stage |            |
| MAINREGSTATUS     | 0x640  | Main supply status                    |            |
| RAM[0].POWER      | 0x900  | RAM0 power control register           |            |
| RAM[0].POWERSET   | 0x904  | RAM0 power control set register       |            |
| RAM[0].POWERCLR   | 0x908  | RAM0 power control clear register     |            |
| RAM[1].POWER      | 0x910  | RAM1 power control register           |            |
| RAM[1].POWERSET   | 0x914  | RAM1 power control set register       |            |
| RAM[1].POWERCLR   | 0x918  | RAM1 power control clear register     |            |
| RAM[2].POWER      | 0x920  | RAM2 power control register           |            |
| RAM[2].POWERSET   | 0x924  | RAM2 power control set register       |            |
| RAM[2].POWERCLR   | 0x928  | RAM2 power control clear register     |            |
| RAM[3].POWER      | 0x930  | RAM3 power control register           |            |
| RAM[3].POWERSET   | 0x934  | RAM3 power control set register       |            |
| RAM[3].POWERCLR   | 0x938  | RAM3 power control clear register     |            |
| RAM[4].POWER      | 0x940  | RAM4 power control register           |            |
| RAM[4].POWERSET   | 0x944  | RAM4 power control set register       |            |
| RAM[4].POWERCLR   | 0x948  | RAM4 power control clear register     |            |
| RAM[5].POWER      | 0x950  | RAM5 power control register           |            |
| RAM[5].POWERSET   | 0x954  | RAM5 power control set register       |            |
| RAM[5].POWERCLR   | 0x958  | RAM5 power control clear register     |            |
| RAM[6].POWER      | 0x960  | RAM6 power control register           |            |
| RAM[6].POWERSET   | 0x964  | RAM6 power control set register       |            |
| RAM[6].POWERCLR   | 0x968  | RAM6 power control clear register     |            |
| RAM[7].POWER      | 0x970  | RAM7 power control register           |            |
| RAM[7].POWERSET   | 0x974  | RAM7 power control set register       |            |
| RAM[7].POWERCLR   | 0x978  | RAM7 power control clear register     |            |
| RAM[8].POWER      | 0x980  | RAM8 power control register           |            |
| RAM[8].POWERSET   | 0x984  | RAM8 power control set register       |            |
| RAM[8].POWERCLR   | 0x988  | RAM8 power control clear register     |            |

Table 19: Register overview

### 5.3.7.1 TASKS\_CONSTLAT

Address offset: 0x78

Enable Constant Latency mode

| Bit number       | 31  | 30       | 29    | 28                           | 27 | 26 | 25 | 24 | 23 | 22 | 21 | 20 | 19 | 18 | 17 | 16 | 15 | 14 | 13 | 12 | 11 | 10 | 9 | 8 | 7 | 6 | 5 | 4 | 3 | 2 | 1 | 0 |
|------------------|---|----------|-------|------------------------------|----|----|----|----|----|----|----|----|----|----|----|----|----|----|----|----|----|----|---|---|---|---|---|---|---|---|---|---|
| ID               |   |          |       |                              |    |    |    |    |    |    |    |    |    |    |    |    |    |    |    |    |    |    |   |   |   |   |   |   |   |   |   | A |
| Reset 0x00000000 | 0 |          |       |                              |    |    |    |    |    |    |    |    |    |    |    |    |    |    |    |    |    |    |   |   |   |   |   |   |   |   |   |   |
| ID               | Acce Field  | Value ID | Value | Description                  |    |    |    |    |    |    |    |    |    |    |    |    |    |    |    |    |    |    |   |   |   |   |   |   |   |   |   |   |
| A                | W TASKS_CONSTLAT  |          |       | Enable Constant Latency mode |    |    |    |    |    |    |    |    |    |    |    |    |    |    |    |    |    |    |   |   |   |   |   |   |   |   |   |   |
|                  |   | Trigger  | 1     | Trigger task                 |    |    |    |    |    |    |    |    |    |    |    |    |    |    |    |    |    |    |   |   |   |   |   |   |   |   |   |   |

### 5.3.7.2 TASKS\_LOWPWR

Address offset: 0x7C

Enable Low-power mode (variable latency)

| Bit number       | 31  | 30       | 29    | 28                                       | 27 | 26 | 25 | 24 | 23 | 22 | 21 | 20 | 19 | 18 | 17 | 16 | 15 | 14 | 13 | 12 | 11 | 10 | 9 | 8 | 7 | 6 | 5 | 4 | 3 | 2 | 1 | 0 |
|------------------|---|----------|-------|--|----|----|----|----|----|----|----|----|----|----|----|----|----|----|----|----|----|----|---|---|---|---|---|---|---|---|---|---|
| ID               |   |          |       |  |    |    |    |    |    |    |    |    |    |    |    |    |    |    |    |    |    |    |   |   |   |   |   |   |   |   |   | A |
| Reset 0x00000000 | 0 |          |       |  |    |    |    |    |    |    |    |    |    |    |    |    |    |    |    |    |    |    |   |   |   |   |   |   |   |   |   |   |
| ID               | Acce Field  | Value ID | Value | Description                              |    |    |    |    |    |    |    |    |    |    |    |    |    |    |    |    |    |    |   |   |   |   |   |   |   |   |   |   |
| A                | W TASKS_LOWPWR  |          |       | Enable Low-power mode (variable latency) |    |    |    |    |    |    |    |    |    |    |    |    |    |    |    |    |    |    |   |   |   |   |   |   |   |   |   |   |
|                  |   | Trigger  | 1     | Trigger task                             |    |    |    |    |    |    |    |    |    |    |    |    |    |    |    |    |    |    |   |   |   |   |   |   |   |   |   |   |

### 5.3.7.3 EVENTS\_POFWARN

Address offset: 0x108

Power failure warning

| Bit number       | 31  | 30           | 29    | 28                    | 27 | 26 | 25 | 24 | 23 | 22 | 21 | 20 | 19 | 18 | 17 | 16 | 15 | 14 | 13 | 12 | 11 | 10 | 9 | 8 | 7 | 6 | 5 | 4 | 3 | 2 | 1 | 0 |
|------------------|---|--------------|-------|-----------------------|----|----|----|----|----|----|----|----|----|----|----|----|----|----|----|----|----|----|---|---|---|---|---|---|---|---|---|---|
| ID               |   |              |       |                       |    |    |    |    |    |    |    |    |    |    |    |    |    |    |    |    |    |    |   |   |   |   |   |   |   |   |   | A |
| Reset 0x00000000 | 0 |              |       |                       |    |    |    |    |    |    |    |    |    |    |    |    |    |    |    |    |    |    |   |   |   |   |   |   |   |   |   |   |
| ID               | Acce Field  | Value ID     | Value | Description           |    |    |    |    |    |    |    |    |    |    |    |    |    |    |    |    |    |    |   |   |   |   |   |   |   |   |   |   |
| A                | RW EVENTS_POFWARN   |              |       | Power failure warning |    |    |    |    |    |    |    |    |    |    |    |    |    |    |    |    |    |    |   |   |   |   |   |   |   |   |   |   |
|                  |   | NotGenerated | 0     | Event not generated   |    |    |    |    |    |    |    |    |    |    |    |    |    |    |    |    |    |    |   |   |   |   |   |   |   |   |   |   |
|                  |   | Generated    | 1     | Event generated       |    |    |    |    |    |    |    |    |    |    |    |    |    |    |    |    |    |    |   |   |   |   |   |   |   |   |   |   |

### 5.3.7.4 EVENTS\_SLEEPENTER

Address offset: 0x114

CPU entered WFI/WFE sleep

| Bit number       | 31  | 30           | 29    | 28                        | 27 | 26 | 25 | 24 | 23 | 22 | 21 | 20 | 19 | 18 | 17 | 16 | 15 | 14 | 13 | 12 | 11 | 10 | 9 | 8 | 7 | 6 | 5 | 4 | 3 | 2 | 1 | 0 |
|------------------|---|--------------|-------|---------------------------|----|----|----|----|----|----|----|----|----|----|----|----|----|----|----|----|----|----|---|---|---|---|---|---|---|---|---|---|
| ID               |   |              |       |                           |    |    |    |    |    |    |    |    |    |    |    |    |    |    |    |    |    |    |   |   |   |   |   |   |   |   |   | A |
| Reset 0x00000000 | 0 |              |       |                           |    |    |    |    |    |    |    |    |    |    |    |    |    |    |    |    |    |    |   |   |   |   |   |   |   |   |   |   |
| ID               | Acce Field  | Value ID     | Value | Description               |    |    |    |    |    |    |    |    |    |    |    |    |    |    |    |    |    |    |   |   |   |   |   |   |   |   |   |   |
| A                | RW EVENTS_SLEEPENTER  |              |       | CPU entered WFI/WFE sleep |    |    |    |    |    |    |    |    |    |    |    |    |    |    |    |    |    |    |   |   |   |   |   |   |   |   |   |   |
|                  |   | NotGenerated | 0     | Event not generated       |    |    |    |    |    |    |    |    |    |    |    |    |    |    |    |    |    |    |   |   |   |   |   |   |   |   |   |   |
|                  |   | Generated    | 1     | Event generated           |    |    |    |    |    |    |    |    |    |    |    |    |    |    |    |    |    |    |   |   |   |   |   |   |   |   |   |   |

### 5.3.7.5 EVENTS\_SLEEPEXIT

Address offset: 0x118

CPU exited WFI/WFE sleep

| Bit number | 31         | 30               | 29    | 28                       | 27 | 26 | 25 | 24 | 23 | 22 | 21 | 20 | 19 | 18 | 17 | 16 | 15 | 14 | 13 | 12 | 11 | 10 | 9 | 8 | 7 | 6 | 5 | 4 | 3 | 2 | 1 | 0 |   |
|------------|------------|------------------|-------|--------------------------|----|----|----|----|----|----|----|----|----|----|----|----|----|----|----|----|----|----|---|---|---|---|---|---|---|---|---|---|---|
| ID         |            |                  |       |                          |    |    |    |    |    |    |    |    |    |    |    |    |    |    |    |    |    |    |   |   |   |   |   |   |   |   |   | A |   |
| Reset      | 0x00000000 |                  |       |                          |    |    |    |    |    |    |    |    |    |    |    |    |    |    |    |    |    |    |   |   |   |   |   |   |   |   |   |   |   |
| 0          | 0          | 0                | 0     | 0                        | 0  | 0  | 0  | 0  | 0  | 0  | 0  | 0  | 0  | 0  | 0  | 0  | 0  | 0  | 0  | 0  | 0  | 0  | 0 | 0 | 0 | 0 | 0 | 0 | 0 | 0 | 0 | 0 | 0 |
| ID         | Acce Field | Value ID         | Value | Description              |    |    |    |    |    |    |    |    |    |    |    |    |    |    |    |    |    |    |   |   |   |   |   |   |   |   |   |   |   |
| A          | RW         | EVENTS_SLEEPEXIT |       | CPU exited WFI/WFE sleep |    |    |    |    |    |    |    |    |    |    |    |    |    |    |    |    |    |    |   |   |   |   |   |   |   |   |   |   |   |
|            |            | NotGenerated     | 0     | Event not generated      |    |    |    |    |    |    |    |    |    |    |    |    |    |    |    |    |    |    |   |   |   |   |   |   |   |   |   |   |   |
|            |            | Generated        | 1     | Event generated          |    |    |    |    |    |    |    |    |    |    |    |    |    |    |    |    |    |    |   |   |   |   |   |   |   |   |   |   |   |

### 5.3.7.6 EVENTS\_USBDETECTED

Address offset: 0x11C

Voltage supply detected on VBUS

| Bit number | 31         | 30                 | 29    | 28                              | 27 | 26 | 25 | 24 | 23 | 22 | 21 | 20 | 19 | 18 | 17 | 16 | 15 | 14 | 13 | 12 | 11 | 10 | 9 | 8 | 7 | 6 | 5 | 4 | 3 | 2 | 1 | 0 |
|------------|------------|--------------------|-------|---------------------------------|----|----|----|----|----|----|----|----|----|----|----|----|----|----|----|----|----|----|---|---|---|---|---|---|---|---|---|---|
| ID         |            |                    |       |                                 |    |    |    |    |    |    |    |    |    |    |    |    |    |    |    |    |    |    |   |   |   |   |   |   |   |   |   | A |
| Reset      | 0x00000000 |                    |       |                                 |    |    |    |    |    |    |    |    |    |    |    |    |    |    |    |    |    |    |   |   |   |   |   |   |   |   |   |   |
| 0          | 0          | 0                  | 0     | 0                               | 0  | 0  | 0  | 0  | 0  | 0  | 0  | 0  | 0  | 0  | 0  | 0  | 0  | 0  | 0  | 0  | 0  | 0  | 0 | 0 | 0 | 0 | 0 | 0 | 0 | 0 | 0 | 0 |
| ID         | Acce Field | Value ID           | Value | Description                     |    |    |    |    |    |    |    |    |    |    |    |    |    |    |    |    |    |    |   |   |   |   |   |   |   |   |   |   |
| A          | RW         | EVENTS_USBDETECTED |       | Voltage supply detected on VBUS |    |    |    |    |    |    |    |    |    |    |    |    |    |    |    |    |    |    |   |   |   |   |   |   |   |   |   |   |
|            |            | NotGenerated       | 0     | Event not generated             |    |    |    |    |    |    |    |    |    |    |    |    |    |    |    |    |    |    |   |   |   |   |   |   |   |   |   |   |
|            |            | Generated          | 1     | Event generated                 |    |    |    |    |    |    |    |    |    |    |    |    |    |    |    |    |    |    |   |   |   |   |   |   |   |   |   |   |

### 5.3.7.7 EVENTS\_USBREMOVED

Address offset: 0x120

Voltage supply removed from VBUS

| Bit number | 31         | 30                | 29    | 28                               | 27 | 26 | 25 | 24 | 23 | 22 | 21 | 20 | 19 | 18 | 17 | 16 | 15 | 14 | 13 | 12 | 11 | 10 | 9 | 8 | 7 | 6 | 5 | 4 | 3 | 2 | 1 | 0 |
|------------|------------|-------------------|-------|----------------------------------|----|----|----|----|----|----|----|----|----|----|----|----|----|----|----|----|----|----|---|---|---|---|---|---|---|---|---|---|
| ID         |            |                   |       |                                  |    |    |    |    |    |    |    |    |    |    |    |    |    |    |    |    |    |    |   |   |   |   |   |   |   |   |   | A |
| Reset      | 0x00000000 |                   |       |                                  |    |    |    |    |    |    |    |    |    |    |    |    |    |    |    |    |    |    |   |   |   |   |   |   |   |   |   |   |
| 0          | 0          | 0                 | 0     | 0                                | 0  | 0  | 0  | 0  | 0  | 0  | 0  | 0  | 0  | 0  | 0  | 0  | 0  | 0  | 0  | 0  | 0  | 0  | 0 | 0 | 0 | 0 | 0 | 0 | 0 | 0 | 0 | 0 |
| ID         | Acce Field | Value ID          | Value | Description                      |    |    |    |    |    |    |    |    |    |    |    |    |    |    |    |    |    |    |   |   |   |   |   |   |   |   |   |   |
| A          | RW         | EVENTS_USBREMOVED |       | Voltage supply removed from VBUS |    |    |    |    |    |    |    |    |    |    |    |    |    |    |    |    |    |    |   |   |   |   |   |   |   |   |   |   |
|            |            | NotGenerated      | 0     | Event not generated              |    |    |    |    |    |    |    |    |    |    |    |    |    |    |    |    |    |    |   |   |   |   |   |   |   |   |   |   |
|            |            | Generated         | 1     | Event generated                  |    |    |    |    |    |    |    |    |    |    |    |    |    |    |    |    |    |    |   |   |   |   |   |   |   |   |   |   |

### 5.3.7.8 EVENTS\_USBPWRRDY

Address offset: 0x124

USB 3.3 V supply ready

| Bit number | 31         | 30               | 29    | 28                     | 27 | 26 | 25 | 24 | 23 | 22 | 21 | 20 | 19 | 18 | 17 | 16 | 15 | 14 | 13 | 12 | 11 | 10 | 9 | 8 | 7 | 6 | 5 | 4 | 3 | 2 | 1 | 0 |
|------------|------------|------------------|-------|------------------------|----|----|----|----|----|----|----|----|----|----|----|----|----|----|----|----|----|----|---|---|---|---|---|---|---|---|---|---|
| ID         |            |                  |       |                        |    |    |    |    |    |    |    |    |    |    |    |    |    |    |    |    |    |    |   |   |   |   |   |   |   |   |   | A |
| Reset      | 0x00000000 |                  |       |                        |    |    |    |    |    |    |    |    |    |    |    |    |    |    |    |    |    |    |   |   |   |   |   |   |   |   |   |   |
| 0          | 0          | 0                | 0     | 0                      | 0  | 0  | 0  | 0  | 0  | 0  | 0  | 0  | 0  | 0  | 0  | 0  | 0  | 0  | 0  | 0  | 0  | 0  | 0 | 0 | 0 | 0 | 0 | 0 | 0 | 0 | 0 | 0 |
| ID         | Acce Field | Value ID         | Value | Description            |    |    |    |    |    |    |    |    |    |    |    |    |    |    |    |    |    |    |   |   |   |   |   |   |   |   |   |   |
| A          | RW         | EVENTS_USBPWRRDY |       | USB 3.3 V supply ready |    |    |    |    |    |    |    |    |    |    |    |    |    |    |    |    |    |    |   |   |   |   |   |   |   |   |   |   |
|            |            | NotGenerated     | 0     | Event not generated    |    |    |    |    |    |    |    |    |    |    |    |    |    |    |    |    |    |    |   |   |   |   |   |   |   |   |   |   |
|            |            | Generated        | 1     | Event generated        |    |    |    |    |    |    |    |    |    |    |    |    |    |    |    |    |    |    |   |   |   |   |   |   |   |   |   |   |

### 5.3.7.9 INTENSET

Address offset: 0x304

Enable interrupt



| Bit number       |                | 31 30 29 28 27 26 25 24 23 22 21 20 19 18 17 16 15 14 13 12 11 10 9 8 7 6 5 4 3 2 1 0 |       |   |  |  |  |  |  |  |  |  |  |  |  |  |  |  |  |  |  |  |  |  |  |  |  |   |   |   |   |   |   |  |
|------------------|----------------|---|-------|---|--|--|--|--|--|--|--|--|--|--|--|--|--|--|--|--|--|--|--|--|--|--|--|---|---|---|---|---|---|--|
| ID               |                |   |       |   |  |  |  |  |  |  |  |  |  |  |  |  |  |  |  |  |  |  |  |  |  |  |  | F | E | D | C | B | A |  |
| Reset 0x00000000 |                | 0                       |       |   |  |  |  |  |  |  |  |  |  |  |  |  |  |  |  |  |  |  |  |  |  |  |  |   |   |   |   |   |   |  |
| ID               | Acce Field     | Value ID  | Value | Description   |  |  |  |  |  |  |  |  |  |  |  |  |  |  |  |  |  |  |  |  |  |  |  |   |   |   |   |   |   |  |
| A                | RW POFWARN     |   |       | Write '1' to enable interrupt for event <a href="#">POFWARN</a> |  |  |  |  |  |  |  |  |  |  |  |  |  |  |  |  |  |  |  |  |  |  |  |   |   |   |   |   |   |  |
|                  |                | Set   | 1     | Enable  |  |  |  |  |  |  |  |  |  |  |  |  |  |  |  |  |  |  |  |  |  |  |  |   |   |   |   |   |   |  |
|                  |                | Disabled  | 0     | Read: Disabled  |  |  |  |  |  |  |  |  |  |  |  |  |  |  |  |  |  |  |  |  |  |  |  |   |   |   |   |   |   |  |
| B                | RW SLEEPENTER  | Enabled   | 1     | Read: Enabled   |  |  |  |  |  |  |  |  |  |  |  |  |  |  |  |  |  |  |  |  |  |  |  |   |   |   |   |   |   |  |
|                  |                | Set   | 1     | Enable  |  |  |  |  |  |  |  |  |  |  |  |  |  |  |  |  |  |  |  |  |  |  |  |   |   |   |   |   |   |  |
|                  |                | Disabled  | 0     | Read: Disabled  |  |  |  |  |  |  |  |  |  |  |  |  |  |  |  |  |  |  |  |  |  |  |  |   |   |   |   |   |   |  |
| C                | RW SLEEPEXIT   | Enabled   | 1     | Read: Enabled   |  |  |  |  |  |  |  |  |  |  |  |  |  |  |  |  |  |  |  |  |  |  |  |   |   |   |   |   |   |  |
|                  |                | Set   | 1     | Enable  |  |  |  |  |  |  |  |  |  |  |  |  |  |  |  |  |  |  |  |  |  |  |  |   |   |   |   |   |   |  |
|                  |                | Disabled  | 0     | Read: Disabled  |  |  |  |  |  |  |  |  |  |  |  |  |  |  |  |  |  |  |  |  |  |  |  |   |   |   |   |   |   |  |
| D                | RW USBDETECTED | Enabled   | 1     | Read: Enabled   |  |  |  |  |  |  |  |  |  |  |  |  |  |  |  |  |  |  |  |  |  |  |  |   |   |   |   |   |   |  |
|                  |                | Set   | 1     | Enable  |  |  |  |  |  |  |  |  |  |  |  |  |  |  |  |  |  |  |  |  |  |  |  |   |   |   |   |   |   |  |
|                  |                | Disabled  | 0     | Read: Disabled  |  |  |  |  |  |  |  |  |  |  |  |  |  |  |  |  |  |  |  |  |  |  |  |   |   |   |   |   |   |  |
| E                | RW USBREMOVED  | Enabled   | 1     | Read: Enabled   |  |  |  |  |  |  |  |  |  |  |  |  |  |  |  |  |  |  |  |  |  |  |  |   |   |   |   |   |   |  |
|                  |                | Set   | 1     | Enable  |  |  |  |  |  |  |  |  |  |  |  |  |  |  |  |  |  |  |  |  |  |  |  |   |   |   |   |   |   |  |
|                  |                | Disabled  | 0     | Read: Disabled  |  |  |  |  |  |  |  |  |  |  |  |  |  |  |  |  |  |  |  |  |  |  |  |   |   |   |   |   |   |  |
| F                | RW USBPWRRDY   | Enabled   | 1     | Read: Enabled   |  |  |  |  |  |  |  |  |  |  |  |  |  |  |  |  |  |  |  |  |  |  |  |   |   |   |   |   |   |  |
|                  |                | Set   | 1     | Enable  |  |  |  |  |  |  |  |  |  |  |  |  |  |  |  |  |  |  |  |  |  |  |  |   |   |   |   |   |   |  |
|                  |                | Disabled  | 0     | Read: Disabled  |  |  |  |  |  |  |  |  |  |  |  |  |  |  |  |  |  |  |  |  |  |  |  |   |   |   |   |   |   |  |

### 5.3.7.10 INTENCLR

Address offset: 0x308

Disable interrupt

| Bit number       |                | 31 30 29 28 27 26 25 24 23 22 21 20 19 18 17 16 15 14 13 12 11 10 9 8 7 6 5 4 3 2 1 0 |       |  |  |  |  |  |  |  |  |  |  |  |  |  |  |  |  |  |  |  |  |  |  |  |  |   |   |   |   |   |   |  |
|------------------|----------------|---|-------|--|--|--|--|--|--|--|--|--|--|--|--|--|--|--|--|--|--|--|--|--|--|--|--|---|---|---|---|---|---|--|
| ID               |                |   |       |  |  |  |  |  |  |  |  |  |  |  |  |  |  |  |  |  |  |  |  |  |  |  |  | F | E | D | C | B | A |  |
| Reset 0x00000000 |                | 0                       |       |  |  |  |  |  |  |  |  |  |  |  |  |  |  |  |  |  |  |  |  |  |  |  |  |   |   |   |   |   |   |  |
| ID               | Acce Field     | Value ID  | Value | Description  |  |  |  |  |  |  |  |  |  |  |  |  |  |  |  |  |  |  |  |  |  |  |  |   |   |   |   |   |   |  |
| A                | RW POFWARN     |   |       | Write '1' to disable interrupt for event <a href="#">POFWARN</a> |  |  |  |  |  |  |  |  |  |  |  |  |  |  |  |  |  |  |  |  |  |  |  |   |   |   |   |   |   |  |
|                  |                | Clear   | 1     | Disable  |  |  |  |  |  |  |  |  |  |  |  |  |  |  |  |  |  |  |  |  |  |  |  |   |   |   |   |   |   |  |
|                  |                | Disabled  | 0     | Read: Disabled   |  |  |  |  |  |  |  |  |  |  |  |  |  |  |  |  |  |  |  |  |  |  |  |   |   |   |   |   |   |  |
| B                | RW SLEEPENTER  | Enabled   | 1     | Read: Enabled  |  |  |  |  |  |  |  |  |  |  |  |  |  |  |  |  |  |  |  |  |  |  |  |   |   |   |   |   |   |  |
|                  |                | Clear   | 1     | Disable  |  |  |  |  |  |  |  |  |  |  |  |  |  |  |  |  |  |  |  |  |  |  |  |   |   |   |   |   |   |  |
|                  |                | Disabled  | 0     | Read: Disabled   |  |  |  |  |  |  |  |  |  |  |  |  |  |  |  |  |  |  |  |  |  |  |  |   |   |   |   |   |   |  |
| C                | RW SLEEPEXIT   | Enabled   | 1     | Read: Enabled  |  |  |  |  |  |  |  |  |  |  |  |  |  |  |  |  |  |  |  |  |  |  |  |   |   |   |   |   |   |  |
|                  |                | Clear   | 1     | Disable  |  |  |  |  |  |  |  |  |  |  |  |  |  |  |  |  |  |  |  |  |  |  |  |   |   |   |   |   |   |  |
|                  |                | Disabled  | 0     | Read: Disabled   |  |  |  |  |  |  |  |  |  |  |  |  |  |  |  |  |  |  |  |  |  |  |  |   |   |   |   |   |   |  |
| D                | RW USBDETECTED | Enabled   | 1     | Read: Enabled  |  |  |  |  |  |  |  |  |  |  |  |  |  |  |  |  |  |  |  |  |  |  |  |   |   |   |   |   |   |  |
|                  |                | Clear   | 1     | Disable  |  |  |  |  |  |  |  |  |  |  |  |  |  |  |  |  |  |  |  |  |  |  |  |   |   |   |   |   |   |  |
|                  |                | Disabled  | 0     | Read: Disabled   |  |  |  |  |  |  |  |  |  |  |  |  |  |  |  |  |  |  |  |  |  |  |  |   |   |   |   |   |   |  |

| Bit number              | 31 30 29 28 27 26 25 24 23 22 21 20 19 18 17 16 15 14 13 12 11 10 9 8 7 6 5 4 3 2 1 0 |          |       |   |  |  |  |  |  |  |  |  |  |  |  |  |  |  |  |  |  |  |  |  |  |  |  |  |   |   |   |   |   |   |  |  |
|-------------------------|---|----------|-------|---|--|--|--|--|--|--|--|--|--|--|--|--|--|--|--|--|--|--|--|--|--|--|--|--|---|---|---|---|---|---|--|--|
| ID                      |   |          |       |   |  |  |  |  |  |  |  |  |  |  |  |  |  |  |  |  |  |  |  |  |  |  |  |  | F | E | D | C | B | A |  |  |
| <b>Reset 0x00000000</b> | <b>0 0</b>    |          |       |   |  |  |  |  |  |  |  |  |  |  |  |  |  |  |  |  |  |  |  |  |  |  |  |  |   |   |   |   |   |   |  |  |
| ID                      | Acce Field  | Value ID | Value | Description   |  |  |  |  |  |  |  |  |  |  |  |  |  |  |  |  |  |  |  |  |  |  |  |  |   |   |   |   |   |   |  |  |
|                         |   | Enabled  | 1     | Read: Enabled   |  |  |  |  |  |  |  |  |  |  |  |  |  |  |  |  |  |  |  |  |  |  |  |  |   |   |   |   |   |   |  |  |
| E                       | RW USBREMOVED   |          |       | Write '1' to disable interrupt for event <a href="#">USBREMOVED</a> |  |  |  |  |  |  |  |  |  |  |  |  |  |  |  |  |  |  |  |  |  |  |  |  |   |   |   |   |   |   |  |  |
|                         |   | Clear    | 1     | Disable   |  |  |  |  |  |  |  |  |  |  |  |  |  |  |  |  |  |  |  |  |  |  |  |  |   |   |   |   |   |   |  |  |
|                         |   | Disabled | 0     | Read: Disabled  |  |  |  |  |  |  |  |  |  |  |  |  |  |  |  |  |  |  |  |  |  |  |  |  |   |   |   |   |   |   |  |  |
|                         |   | Enabled  | 1     | Read: Enabled   |  |  |  |  |  |  |  |  |  |  |  |  |  |  |  |  |  |  |  |  |  |  |  |  |   |   |   |   |   |   |  |  |
| F                       | RW USBPWRRDY  |          |       | Write '1' to disable interrupt for event <a href="#">USBPWRRDY</a>  |  |  |  |  |  |  |  |  |  |  |  |  |  |  |  |  |  |  |  |  |  |  |  |  |   |   |   |   |   |   |  |  |
|                         |   | Clear    | 1     | Disable   |  |  |  |  |  |  |  |  |  |  |  |  |  |  |  |  |  |  |  |  |  |  |  |  |   |   |   |   |   |   |  |  |
|                         |   | Disabled | 0     | Read: Disabled  |  |  |  |  |  |  |  |  |  |  |  |  |  |  |  |  |  |  |  |  |  |  |  |  |   |   |   |   |   |   |  |  |
|                         |   | Enabled  | 1     | Read: Enabled   |  |  |  |  |  |  |  |  |  |  |  |  |  |  |  |  |  |  |  |  |  |  |  |  |   |   |   |   |   |   |  |  |

### 5.3.7.11 RESETPREAS

Address offset: 0x400

Reset reason

Unless cleared, the RESETPREAS register will be cumulative. A field is cleared by writing '1' to it. If none of the reset sources are flagged, this indicates that the chip was reset from the on-chip reset generator, which will indicate a power-on-reset or a brownout reset.

| Bit number              | 31 30 29 28 27 26 25 24 23 22 21 20 19 18 17 16 15 14 13 12 11 10 9 8 7 6 5 4 3 2 1 0 |             |       |  |  |  |  |  |  |  |  |  |  |  |  |  |  |  |  |  |  |  |  |  |  |  |  |  |   |   |   |   |   |   |  |  |   |   |   |
|-------------------------|---|-------------|-------|--|--|--|--|--|--|--|--|--|--|--|--|--|--|--|--|--|--|--|--|--|--|--|--|--|---|---|---|---|---|---|--|--|---|---|---|
| ID                      |   |             |       |  |  |  |  |  |  |  |  |  |  |  |  |  |  |  |  |  |  |  |  |  |  |  |  |  | I | H | G | F | E | D |  |  | C | B | A |
| <b>Reset 0x00000000</b> | <b>0 0</b>    |             |       |  |  |  |  |  |  |  |  |  |  |  |  |  |  |  |  |  |  |  |  |  |  |  |  |  |   |   |   |   |   |   |  |  |   |   |   |
| ID                      | Acce Field  | Value ID    | Value | Description  |  |  |  |  |  |  |  |  |  |  |  |  |  |  |  |  |  |  |  |  |  |  |  |  |   |   |   |   |   |   |  |  |   |   |   |
| A                       | RW RESETPIN   |             |       | Reset from pin-reset detected  |  |  |  |  |  |  |  |  |  |  |  |  |  |  |  |  |  |  |  |  |  |  |  |  |   |   |   |   |   |   |  |  |   |   |   |
|                         |   | NotDetected | 0     | Not detected   |  |  |  |  |  |  |  |  |  |  |  |  |  |  |  |  |  |  |  |  |  |  |  |  |   |   |   |   |   |   |  |  |   |   |   |
|                         |   | Detected    | 1     | Detected   |  |  |  |  |  |  |  |  |  |  |  |  |  |  |  |  |  |  |  |  |  |  |  |  |   |   |   |   |   |   |  |  |   |   |   |
| B                       | RW DOG  |             |       | Reset from watchdog detected   |  |  |  |  |  |  |  |  |  |  |  |  |  |  |  |  |  |  |  |  |  |  |  |  |   |   |   |   |   |   |  |  |   |   |   |
|                         |   | NotDetected | 0     | Not detected   |  |  |  |  |  |  |  |  |  |  |  |  |  |  |  |  |  |  |  |  |  |  |  |  |   |   |   |   |   |   |  |  |   |   |   |
|                         |   | Detected    | 1     | Detected   |  |  |  |  |  |  |  |  |  |  |  |  |  |  |  |  |  |  |  |  |  |  |  |  |   |   |   |   |   |   |  |  |   |   |   |
| C                       | RW SREQ   |             |       | Reset from soft reset detected   |  |  |  |  |  |  |  |  |  |  |  |  |  |  |  |  |  |  |  |  |  |  |  |  |   |   |   |   |   |   |  |  |   |   |   |
|                         |   | NotDetected | 0     | Not detected   |  |  |  |  |  |  |  |  |  |  |  |  |  |  |  |  |  |  |  |  |  |  |  |  |   |   |   |   |   |   |  |  |   |   |   |
|                         |   | Detected    | 1     | Detected   |  |  |  |  |  |  |  |  |  |  |  |  |  |  |  |  |  |  |  |  |  |  |  |  |   |   |   |   |   |   |  |  |   |   |   |
| D                       | RW LOCKUP   |             |       | Reset from CPU lock-up detected  |  |  |  |  |  |  |  |  |  |  |  |  |  |  |  |  |  |  |  |  |  |  |  |  |   |   |   |   |   |   |  |  |   |   |   |
|                         |   | NotDetected | 0     | Not detected   |  |  |  |  |  |  |  |  |  |  |  |  |  |  |  |  |  |  |  |  |  |  |  |  |   |   |   |   |   |   |  |  |   |   |   |
|                         |   | Detected    | 1     | Detected   |  |  |  |  |  |  |  |  |  |  |  |  |  |  |  |  |  |  |  |  |  |  |  |  |   |   |   |   |   |   |  |  |   |   |   |
| E                       | RW OFF  |             |       | Reset due to wake up from System OFF mode when wakeup is triggered from DETECT signal from GPIO            |  |  |  |  |  |  |  |  |  |  |  |  |  |  |  |  |  |  |  |  |  |  |  |  |   |   |   |   |   |   |  |  |   |   |   |
|                         |   | NotDetected | 0     | Not detected   |  |  |  |  |  |  |  |  |  |  |  |  |  |  |  |  |  |  |  |  |  |  |  |  |   |   |   |   |   |   |  |  |   |   |   |
|                         |   | Detected    | 1     | Detected   |  |  |  |  |  |  |  |  |  |  |  |  |  |  |  |  |  |  |  |  |  |  |  |  |   |   |   |   |   |   |  |  |   |   |   |
| F                       | RW LPCOMP   |             |       | Reset due to wake up from System OFF mode when wakeup is triggered from ANADETECT signal from LPCOMP       |  |  |  |  |  |  |  |  |  |  |  |  |  |  |  |  |  |  |  |  |  |  |  |  |   |   |   |   |   |   |  |  |   |   |   |
|                         |   | NotDetected | 0     | Not detected   |  |  |  |  |  |  |  |  |  |  |  |  |  |  |  |  |  |  |  |  |  |  |  |  |   |   |   |   |   |   |  |  |   |   |   |
|                         |   | Detected    | 1     | Detected   |  |  |  |  |  |  |  |  |  |  |  |  |  |  |  |  |  |  |  |  |  |  |  |  |   |   |   |   |   |   |  |  |   |   |   |
| G                       | RW DIF  |             |       | Reset due to wake up from System OFF mode when wakeup is triggered from entering into debug interface mode |  |  |  |  |  |  |  |  |  |  |  |  |  |  |  |  |  |  |  |  |  |  |  |  |   |   |   |   |   |   |  |  |   |   |   |
|                         |   | NotDetected | 0     | Not detected   |  |  |  |  |  |  |  |  |  |  |  |  |  |  |  |  |  |  |  |  |  |  |  |  |   |   |   |   |   |   |  |  |   |   |   |
|                         |   | Detected    | 1     | Detected   |  |  |  |  |  |  |  |  |  |  |  |  |  |  |  |  |  |  |  |  |  |  |  |  |   |   |   |   |   |   |  |  |   |   |   |
| H                       | RW NFC  |             |       | Reset due to wake up from System OFF mode by NFC field detect  |  |  |  |  |  |  |  |  |  |  |  |  |  |  |  |  |  |  |  |  |  |  |  |  |   |   |   |   |   |   |  |  |   |   |   |
|                         |   | NotDetected | 0     | Not detected   |  |  |  |  |  |  |  |  |  |  |  |  |  |  |  |  |  |  |  |  |  |  |  |  |   |   |   |   |   |   |  |  |   |   |   |

| Bit number | 31 30 29 28 27 26 25 24 23 22 21 20 19 18 17 16 15 14 13 12 11 10 9 8 7 6 5 4 3 2 1 0 |       |             |       |   |   |   |   |   |   |   |   |   |   |   |   |   |   |   |   |   |   |   |   |   |   |   |   |   |   |   |   |   |   |   |  |  |   |   |   |   |
|------------|---|-------|-------------|-------|---|---|---|---|---|---|---|---|---|---|---|---|---|---|---|---|---|---|---|---|---|---|---|---|---|---|---|---|---|---|---|--|--|---|---|---|---|
| ID         |   |       |             |       |   |   |   |   |   |   |   |   |   |   |   |   |   |   |   |   |   |   |   |   |   |   |   |   | I | H | G | F | E |   |   |  |  | D | C | B | A |
| Reset      | 0x00000000  |       |             |       |   |   |   |   |   |   |   |   |   |   |   |   |   |   |   |   |   |   |   |   |   |   |   |   |   |   |   |   |   |   |   |  |  |   |   |   |   |
| 0          | 0   | 0     | 0           | 0     | 0   | 0 | 0 | 0 | 0 | 0 | 0 | 0 | 0 | 0 | 0 | 0 | 0 | 0 | 0 | 0 | 0 | 0 | 0 | 0 | 0 | 0 | 0 | 0 | 0 | 0 | 0 | 0 | 0 | 0 | 0 |  |  |   |   |   |   |
| ID         | Acce  | Field | Value ID    | Value | Description   |   |   |   |   |   |   |   |   |   |   |   |   |   |   |   |   |   |   |   |   |   |   |   |   |   |   |   |   |   |   |  |  |   |   |   |   |
|            |   |       | Detected    | 1     | Detected  |   |   |   |   |   |   |   |   |   |   |   |   |   |   |   |   |   |   |   |   |   |   |   |   |   |   |   |   |   |   |  |  |   |   |   |   |
| I          | RW  | VBUS  |             |       | Reset due to wake up from System OFF mode by VBUS rising into valid range |   |   |   |   |   |   |   |   |   |   |   |   |   |   |   |   |   |   |   |   |   |   |   |   |   |   |   |   |   |   |  |  |   |   |   |   |
|            |   |       | NotDetected | 0     | Not detected  |   |   |   |   |   |   |   |   |   |   |   |   |   |   |   |   |   |   |   |   |   |   |   |   |   |   |   |   |   |   |  |  |   |   |   |   |
|            |   |       | Detected    | 1     | Detected  |   |   |   |   |   |   |   |   |   |   |   |   |   |   |   |   |   |   |   |   |   |   |   |   |   |   |   |   |   |   |  |  |   |   |   |   |

### 5.3.7.12 RAMSTATUS ( Deprecated )

Address offset: 0x428

RAM status register

Since this register is deprecated the following substitutions have been made: RAM block 0 is equivalent to a block comprising RAM0.S0 and RAM1.S0. RAM block 1 is equivalent to a block comprising RAM2.S0 and RAM3.S0. RAM block 2 is equivalent to a block comprising RAM4.S0 and RAM5.S0. RAM block 3 is equivalent to a block comprising RAM6.S0 and RAM7.S0. A RAM block field will indicate ON as long as any of the RAM sections associated with a block are on.

| Bit number | 31 30 29 28 27 26 25 24 23 22 21 20 19 18 17 16 15 14 13 12 11 10 9 8 7 6 5 4 3 2 1 0 |                      |          |       |             |   |   |   |   |   |   |   |   |   |   |   |   |   |   |   |   |   |   |   |   |   |   |   |   |   |   |   |   |   |
|------------|---|----------------------|----------|-------|-------------|---|---|---|---|---|---|---|---|---|---|---|---|---|---|---|---|---|---|---|---|---|---|---|---|---|---|---|---|---|
| ID         |   |                      |          |       |             |   |   |   |   |   |   |   |   |   |   |   |   |   |   |   |   |   |   |   |   |   |   |   | D | C | B | A |   |   |
| Reset      | 0x00000000  |                      |          |       |             |   |   |   |   |   |   |   |   |   |   |   |   |   |   |   |   |   |   |   |   |   |   |   |   |   |   |   |   |   |
| 0          | 0   | 0                    | 0        | 0     | 0           | 0 | 0 | 0 | 0 | 0 | 0 | 0 | 0 | 0 | 0 | 0 | 0 | 0 | 0 | 0 | 0 | 0 | 0 | 0 | 0 | 0 | 0 | 0 | 0 | 0 | 0 | 0 | 0 | 0 |
| ID         | Acce  | Field                | Value ID | Value | Description |   |   |   |   |   |   |   |   |   |   |   |   |   |   |   |   |   |   |   |   |   |   |   |   |   |   |   |   |   |
| A-D        | R   | RAMBLOCK[i] (i=0..3) | Off      | 0     | Off         |   |   |   |   |   |   |   |   |   |   |   |   |   |   |   |   |   |   |   |   |   |   |   |   |   |   |   |   |   |
|            |   |                      | On       | 1     | On          |   |   |   |   |   |   |   |   |   |   |   |   |   |   |   |   |   |   |   |   |   |   |   |   |   |   |   |   |   |

### 5.3.7.13 USBREGSTATUS

Address offset: 0x438

USB supply status

| Bit number | 31 30 29 28 27 26 25 24 23 22 21 20 19 18 17 16 15 14 13 12 11 10 9 8 7 6 5 4 3 2 1 0 |            |             |       |   |   |   |   |   |   |   |   |   |   |   |   |   |   |   |   |   |   |   |   |   |   |   |   |   |   |   |   |   |
|------------|---|------------|-------------|-------|---|---|---|---|---|---|---|---|---|---|---|---|---|---|---|---|---|---|---|---|---|---|---|---|---|---|---|---|---|
| ID         |   |            |             |       |   |   |   |   |   |   |   |   |   |   |   |   |   |   |   |   |   |   |   |   |   |   |   |   | B | A |   |   |   |
| Reset      | 0x00000000  |            |             |       |   |   |   |   |   |   |   |   |   |   |   |   |   |   |   |   |   |   |   |   |   |   |   |   |   |   |   |   |   |
| 0          | 0   | 0          | 0           | 0     | 0   | 0 | 0 | 0 | 0 | 0 | 0 | 0 | 0 | 0 | 0 | 0 | 0 | 0 | 0 | 0 | 0 | 0 | 0 | 0 | 0 | 0 | 0 | 0 | 0 | 0 | 0 | 0 | 0 |
| ID         | Acce  | Field      | Value ID    | Value | Description   |   |   |   |   |   |   |   |   |   |   |   |   |   |   |   |   |   |   |   |   |   |   |   |   |   |   |   |   |
| A          | R   | VBUSDETECT | NoVbus      | 0     | VBUS input detection status (USBDETECTED and USBREMOVED events are derived from this information) |   |   |   |   |   |   |   |   |   |   |   |   |   |   |   |   |   |   |   |   |   |   |   |   |   |   |   |   |
|            |   |            | VbusPresent | 1     | VBUS voltage above valid threshold  |   |   |   |   |   |   |   |   |   |   |   |   |   |   |   |   |   |   |   |   |   |   |   |   |   |   |   |   |
| B          | R   | OUTPUTRDY  | NotReady    | 0     | USB supply output settling time elapsed   |   |   |   |   |   |   |   |   |   |   |   |   |   |   |   |   |   |   |   |   |   |   |   |   |   |   |   |   |
|            |   |            | Ready       | 1     | USBREG output settling time not elapsed   |   |   |   |   |   |   |   |   |   |   |   |   |   |   |   |   |   |   |   |   |   |   |   |   |   |   |   |   |
|            |   |            |             |       | USBREG output settling time elapsed (same information as USBPWRDY event)                          |   |   |   |   |   |   |   |   |   |   |   |   |   |   |   |   |   |   |   |   |   |   |   |   |   |   |   |   |

### 5.3.7.14 SYSTEMOFF

Address offset: 0x500

System OFF register

| Bit number       | 31 30 29 28 27 26 25 24 23 22 21 20 19 18 17 16 15 14 13 12 11 10 9 8 7 6 5 4 3 2 1 0 |          |       |                        |  |  |  |  |  |  |  |  |  |  |  |  |  |  |  |  |  |  |  |  |  |  |  |  |  |  |  |
|------------------|---|----------|-------|------------------------|--|--|--|--|--|--|--|--|--|--|--|--|--|--|--|--|--|--|--|--|--|--|--|--|--|--|--|
| ID               | A   |          |       |                        |  |  |  |  |  |  |  |  |  |  |  |  |  |  |  |  |  |  |  |  |  |  |  |  |  |  |  |
| Reset 0x00000000 | 0             |          |       |                        |  |  |  |  |  |  |  |  |  |  |  |  |  |  |  |  |  |  |  |  |  |  |  |  |  |  |  |
| ID               | Acce Field  | Value ID | Value | Description            |  |  |  |  |  |  |  |  |  |  |  |  |  |  |  |  |  |  |  |  |  |  |  |  |  |  |  |
| A                | W SYSTEMOFF   | Enter    | 1     | Enable System OFF mode |  |  |  |  |  |  |  |  |  |  |  |  |  |  |  |  |  |  |  |  |  |  |  |  |  |  |  |
|                  |   |          |       | Enable System OFF mode |  |  |  |  |  |  |  |  |  |  |  |  |  |  |  |  |  |  |  |  |  |  |  |  |  |  |  |

### 5.3.7.15 POFCON

Address offset: 0x510

Power-fail comparator configuration

| Bit number       | 31 30 29 28 27 26 25 24 23 22 21 20 19 18 17 16 15 14 13 12 11 10 9 8 7 6 5 4 3 2 1 0 |          |       |   |  |  |  |  |  |  |  |  |  |  |  |  |  |  |  |  |  |  |  |  |         |  |  |  |         |  |  |   |
|------------------|---|----------|-------|---|--|--|--|--|--|--|--|--|--|--|--|--|--|--|--|--|--|--|--|--|---------|--|--|--|---------|--|--|---|
| ID               |   |          |       |   |  |  |  |  |  |  |  |  |  |  |  |  |  |  |  |  |  |  |  |  | D D D D |  |  |  | B B B B |  |  | A |
| Reset 0x00000000 | 0             |          |       |   |  |  |  |  |  |  |  |  |  |  |  |  |  |  |  |  |  |  |  |  |         |  |  |  |         |  |  |   |
| ID               | Acce Field  | Value ID | Value | Description   |  |  |  |  |  |  |  |  |  |  |  |  |  |  |  |  |  |  |  |  |         |  |  |  |         |  |  |   |
| A                | RW POF  | Disabled | 0     | Enable or disable power failure warning   |  |  |  |  |  |  |  |  |  |  |  |  |  |  |  |  |  |  |  |  |         |  |  |  |         |  |  |   |
|                  |   | Enabled  | 1     | Disable   |  |  |  |  |  |  |  |  |  |  |  |  |  |  |  |  |  |  |  |  |         |  |  |  |         |  |  |   |
|                  |   |          |       | Enable  |  |  |  |  |  |  |  |  |  |  |  |  |  |  |  |  |  |  |  |  |         |  |  |  |         |  |  |   |
| B                | RW THRESHOLD  |          |       | Power-fail comparator threshold setting. This setting applies both for normal voltage mode (supply connected to both VDD and VDDH) and high voltage mode (supply connected to VDDH only). Values 0-3 set threshold below 1.7 V and should not be used as brown out detection will be activated before power failure warning on such low voltages. |  |  |  |  |  |  |  |  |  |  |  |  |  |  |  |  |  |  |  |  |         |  |  |  |         |  |  |   |
|                  |   | V17      | 4     | Set threshold to 1.7 V  |  |  |  |  |  |  |  |  |  |  |  |  |  |  |  |  |  |  |  |  |         |  |  |  |         |  |  |   |
|                  |   | V18      | 5     | Set threshold to 1.8 V  |  |  |  |  |  |  |  |  |  |  |  |  |  |  |  |  |  |  |  |  |         |  |  |  |         |  |  |   |
|                  |   | V19      | 6     | Set threshold to 1.9 V  |  |  |  |  |  |  |  |  |  |  |  |  |  |  |  |  |  |  |  |  |         |  |  |  |         |  |  |   |
|                  |   | V20      | 7     | Set threshold to 2.0 V  |  |  |  |  |  |  |  |  |  |  |  |  |  |  |  |  |  |  |  |  |         |  |  |  |         |  |  |   |
|                  |   | V21      | 8     | Set threshold to 2.1 V  |  |  |  |  |  |  |  |  |  |  |  |  |  |  |  |  |  |  |  |  |         |  |  |  |         |  |  |   |
|                  |   | V22      | 9     | Set threshold to 2.2 V  |  |  |  |  |  |  |  |  |  |  |  |  |  |  |  |  |  |  |  |  |         |  |  |  |         |  |  |   |
|                  |   | V23      | 10    | Set threshold to 2.3 V  |  |  |  |  |  |  |  |  |  |  |  |  |  |  |  |  |  |  |  |  |         |  |  |  |         |  |  |   |
|                  |   | V24      | 11    | Set threshold to 2.4 V  |  |  |  |  |  |  |  |  |  |  |  |  |  |  |  |  |  |  |  |  |         |  |  |  |         |  |  |   |
|                  |   | V25      | 12    | Set threshold to 2.5 V  |  |  |  |  |  |  |  |  |  |  |  |  |  |  |  |  |  |  |  |  |         |  |  |  |         |  |  |   |
|                  |   | V26      | 13    | Set threshold to 2.6 V  |  |  |  |  |  |  |  |  |  |  |  |  |  |  |  |  |  |  |  |  |         |  |  |  |         |  |  |   |
|                  |   | V27      | 14    | Set threshold to 2.7 V  |  |  |  |  |  |  |  |  |  |  |  |  |  |  |  |  |  |  |  |  |         |  |  |  |         |  |  |   |
|                  |   | V28      | 15    | Set threshold to 2.8 V  |  |  |  |  |  |  |  |  |  |  |  |  |  |  |  |  |  |  |  |  |         |  |  |  |         |  |  |   |
| D                | RW THRESHOLDVDDH  |          |       | Power-fail comparator threshold setting for high voltage mode (supply connected to VDDH only). This setting does not apply for normal voltage mode (supply connected to both VDD and VDDH).   |  |  |  |  |  |  |  |  |  |  |  |  |  |  |  |  |  |  |  |  |         |  |  |  |         |  |  |   |
|                  |   | V27      | 0     | Set threshold to 2.7 V  |  |  |  |  |  |  |  |  |  |  |  |  |  |  |  |  |  |  |  |  |         |  |  |  |         |  |  |   |
|                  |   | V28      | 1     | Set threshold to 2.8 V  |  |  |  |  |  |  |  |  |  |  |  |  |  |  |  |  |  |  |  |  |         |  |  |  |         |  |  |   |
|                  |   | V29      | 2     | Set threshold to 2.9 V  |  |  |  |  |  |  |  |  |  |  |  |  |  |  |  |  |  |  |  |  |         |  |  |  |         |  |  |   |
|                  |   | V30      | 3     | Set threshold to 3.0 V  |  |  |  |  |  |  |  |  |  |  |  |  |  |  |  |  |  |  |  |  |         |  |  |  |         |  |  |   |
|                  |   | V31      | 4     | Set threshold to 3.1 V  |  |  |  |  |  |  |  |  |  |  |  |  |  |  |  |  |  |  |  |  |         |  |  |  |         |  |  |   |
|                  |   | V32      | 5     | Set threshold to 3.2 V  |  |  |  |  |  |  |  |  |  |  |  |  |  |  |  |  |  |  |  |  |         |  |  |  |         |  |  |   |
|                  |   | V33      | 6     | Set threshold to 3.3 V  |  |  |  |  |  |  |  |  |  |  |  |  |  |  |  |  |  |  |  |  |         |  |  |  |         |  |  |   |
|                  |   | V34      | 7     | Set threshold to 3.4 V  |  |  |  |  |  |  |  |  |  |  |  |  |  |  |  |  |  |  |  |  |         |  |  |  |         |  |  |   |
|                  |   | V35      | 8     | Set threshold to 3.5 V  |  |  |  |  |  |  |  |  |  |  |  |  |  |  |  |  |  |  |  |  |         |  |  |  |         |  |  |   |
|                  |   | V36      | 9     | Set threshold to 3.6 V  |  |  |  |  |  |  |  |  |  |  |  |  |  |  |  |  |  |  |  |  |         |  |  |  |         |  |  |   |
|                  |   | V37      | 10    | Set threshold to 3.7 V  |  |  |  |  |  |  |  |  |  |  |  |  |  |  |  |  |  |  |  |  |         |  |  |  |         |  |  |   |
|                  |   | V38      | 11    | Set threshold to 3.8 V  |  |  |  |  |  |  |  |  |  |  |  |  |  |  |  |  |  |  |  |  |         |  |  |  |         |  |  |   |

| Bit number | 31         | 30    | 29       | 28    | 27                     | 26 | 25 | 24 | 23 | 22 | 21 | 20 | 19 | 18 | 17 | 16 | 15 | 14 | 13 | 12 | 11 | 10 | 9 | 8 | 7 | 6 | 5 | 4 | 3 | 2 | 1 | 0 |   |   |   |   |
|------------|------------|-------|----------|-------|------------------------|----|----|----|----|----|----|----|----|----|----|----|----|----|----|----|----|----|---|---|---|---|---|---|---|---|---|---|---|---|---|---|
| ID         |            |       |          |       |                        |    |    |    |    |    |    |    |    |    |    |    |    |    |    |    | D  | D  | D | D |   |   |   |   |   |   |   | B | B | B | B | A |
| Reset      | 0x00000000 |       |          |       |                        |    |    |    |    |    |    |    |    |    |    |    |    |    |    |    |    |    |   |   |   |   |   |   |   |   |   |   |   |   |   |   |
|            | 0          | 0     | 0        | 0     | 0                      | 0  | 0  | 0  | 0  | 0  | 0  | 0  | 0  | 0  | 0  | 0  | 0  | 0  | 0  | 0  | 0  | 0  | 0 | 0 | 0 | 0 | 0 | 0 | 0 | 0 | 0 | 0 | 0 | 0 |   |   |
| ID         | Acce       | Field | Value ID | Value | Description            |    |    |    |    |    |    |    |    |    |    |    |    |    |    |    |    |    |   |   |   |   |   |   |   |   |   |   |   |   |   |   |
|            |            |       | V39      | 12    | Set threshold to 3.9 V |    |    |    |    |    |    |    |    |    |    |    |    |    |    |    |    |    |   |   |   |   |   |   |   |   |   |   |   |   |   |   |
|            |            |       | V40      | 13    | Set threshold to 4.0 V |    |    |    |    |    |    |    |    |    |    |    |    |    |    |    |    |    |   |   |   |   |   |   |   |   |   |   |   |   |   |   |
|            |            |       | V41      | 14    | Set threshold to 4.1 V |    |    |    |    |    |    |    |    |    |    |    |    |    |    |    |    |    |   |   |   |   |   |   |   |   |   |   |   |   |   |   |
|            |            |       | V42      | 15    | Set threshold to 4.2 V |    |    |    |    |    |    |    |    |    |    |    |    |    |    |    |    |    |   |   |   |   |   |   |   |   |   |   |   |   |   |   |

### 5.3.7.16 GPREGRET

Address offset: 0x51C

General purpose retention register

| Bit number | 31         | 30       | 29       | 28    | 27                                   | 26 | 25 | 24 | 23 | 22 | 21 | 20 | 19 | 18 | 17 | 16 | 15 | 14 | 13 | 12 | 11 | 10 | 9 | 8 | 7 | 6 | 5 | 4 | 3 | 2 | 1 | 0 |   |
|------------|------------|----------|----------|-------|--------------------------------------|----|----|----|----|----|----|----|----|----|----|----|----|----|----|----|----|----|---|---|---|---|---|---|---|---|---|---|---|
| ID         |            |          |          |       |                                      |    |    |    |    |    |    |    |    |    |    |    |    |    |    |    | A  | A  | A | A | A | A | A | A |   |   |   |   |   |
| Reset      | 0x00000000 |          |          |       |                                      |    |    |    |    |    |    |    |    |    |    |    |    |    |    |    |    |    |   |   |   |   |   |   |   |   |   |   |   |
|            | 0          | 0        | 0        | 0     | 0                                    | 0  | 0  | 0  | 0  | 0  | 0  | 0  | 0  | 0  | 0  | 0  | 0  | 0  | 0  | 0  | 0  | 0  | 0 | 0 | 0 | 0 | 0 | 0 | 0 | 0 | 0 | 0 | 0 |
| ID         | Acce       | Field    | Value ID | Value | Description                          |    |    |    |    |    |    |    |    |    |    |    |    |    |    |    |    |    |   |   |   |   |   |   |   |   |   |   |   |
| A          | RW         | GPREGRET |          |       | General purpose retention register   |    |    |    |    |    |    |    |    |    |    |    |    |    |    |    |    |    |   |   |   |   |   |   |   |   |   |   |   |
|            |            |          |          |       | This register is a retained register |    |    |    |    |    |    |    |    |    |    |    |    |    |    |    |    |    |   |   |   |   |   |   |   |   |   |   |   |

### 5.3.7.17 GPREGRET2

Address offset: 0x520

General purpose retention register

| Bit number | 31         | 30       | 29       | 28    | 27                                   | 26 | 25 | 24 | 23 | 22 | 21 | 20 | 19 | 18 | 17 | 16 | 15 | 14 | 13 | 12 | 11 | 10 | 9 | 8 | 7 | 6 | 5 | 4 | 3 | 2 | 1 | 0 |   |
|------------|------------|----------|----------|-------|--------------------------------------|----|----|----|----|----|----|----|----|----|----|----|----|----|----|----|----|----|---|---|---|---|---|---|---|---|---|---|---|
| ID         |            |          |          |       |                                      |    |    |    |    |    |    |    |    |    |    |    |    |    |    |    | A  | A  | A | A | A | A | A | A |   |   |   |   |   |
| Reset      | 0x00000000 |          |          |       |                                      |    |    |    |    |    |    |    |    |    |    |    |    |    |    |    |    |    |   |   |   |   |   |   |   |   |   |   |   |
|            | 0          | 0        | 0        | 0     | 0                                    | 0  | 0  | 0  | 0  | 0  | 0  | 0  | 0  | 0  | 0  | 0  | 0  | 0  | 0  | 0  | 0  | 0  | 0 | 0 | 0 | 0 | 0 | 0 | 0 | 0 | 0 | 0 | 0 |
| ID         | Acce       | Field    | Value ID | Value | Description                          |    |    |    |    |    |    |    |    |    |    |    |    |    |    |    |    |    |   |   |   |   |   |   |   |   |   |   |   |
| A          | RW         | GPREGRET |          |       | General purpose retention register   |    |    |    |    |    |    |    |    |    |    |    |    |    |    |    |    |    |   |   |   |   |   |   |   |   |   |   |   |
|            |            |          |          |       | This register is a retained register |    |    |    |    |    |    |    |    |    |    |    |    |    |    |    |    |    |   |   |   |   |   |   |   |   |   |   |   |

### 5.3.7.18 DCDCEN

Address offset: 0x578

Enable DC/DC converter for REG1 stage

| Bit number | 31         | 30     | 29       | 28    | 27                                     | 26 | 25 | 24 | 23 | 22 | 21 | 20 | 19 | 18 | 17 | 16 | 15 | 14 | 13 | 12 | 11 | 10 | 9 | 8 | 7 | 6 | 5 | 4 | 3 | 2 | 1 | 0 |   |
|------------|------------|--------|----------|-------|--|----|----|----|----|----|----|----|----|----|----|----|----|----|----|----|----|----|---|---|---|---|---|---|---|---|---|---|---|
| ID         |            |        |          |       |  |    |    |    |    |    |    |    |    |    |    |    |    |    |    |    |    |    |   |   |   |   |   |   |   |   |   |   |   |
| Reset      | 0x00000000 |        |          |       |  |    |    |    |    |    |    |    |    |    |    |    |    |    |    |    |    |    |   |   |   |   |   |   |   |   |   |   |   |
|            | 0          | 0      | 0        | 0     | 0                                      | 0  | 0  | 0  | 0  | 0  | 0  | 0  | 0  | 0  | 0  | 0  | 0  | 0  | 0  | 0  | 0  | 0  | 0 | 0 | 0 | 0 | 0 | 0 | 0 | 0 | 0 | 0 | 0 |
| ID         | Acce       | Field  | Value ID | Value | Description                            |    |    |    |    |    |    |    |    |    |    |    |    |    |    |    |    |    |   |   |   |   |   |   |   |   |   |   |   |
| A          | RW         | DCDCEN |          |       | Enable DC/DC converter for REG1 stage. |    |    |    |    |    |    |    |    |    |    |    |    |    |    |    |    |    |   |   |   |   |   |   |   |   |   |   |   |
|            |            |        | Disabled | 0     | Disable                                |    |    |    |    |    |    |    |    |    |    |    |    |    |    |    |    |    |   |   |   |   |   |   |   |   |   |   |   |
|            |            |        | Enabled  | 1     | Enable                                 |    |    |    |    |    |    |    |    |    |    |    |    |    |    |    |    |    |   |   |   |   |   |   |   |   |   |   |   |

### 5.3.7.19 DCDCEN0

Address offset: 0x580

Enable DC/DC converter for REG0 stage

| Bit number | 31         | 30     | 29       | 28    | 27                                     | 26 | 25 | 24 | 23 | 22 | 21 | 20 | 19 | 18 | 17 | 16 | 15 | 14 | 13 | 12 | 11 | 10 | 9 | 8 | 7 | 6 | 5 | 4 | 3 | 2 | 1 | 0 |   |
|------------|------------|--------|----------|-------|--|----|----|----|----|----|----|----|----|----|----|----|----|----|----|----|----|----|---|---|---|---|---|---|---|---|---|---|---|
| ID         |            |        |          |       |  |    |    |    |    |    |    |    |    |    |    |    |    |    |    |    |    |    |   |   |   |   |   |   |   |   |   | A |   |
| Reset      | 0x00000000 |        |          |       |  |    |    |    |    |    |    |    |    |    |    |    |    |    |    |    |    |    |   |   |   |   |   |   |   |   |   |   |   |
| 0          | 0          | 0      | 0        | 0     | 0                                      | 0  | 0  | 0  | 0  | 0  | 0  | 0  | 0  | 0  | 0  | 0  | 0  | 0  | 0  | 0  | 0  | 0  | 0 | 0 | 0 | 0 | 0 | 0 | 0 | 0 | 0 | 0 | 0 |
| ID         | Acce       | Field  | Value ID | Value | Description                            |    |    |    |    |    |    |    |    |    |    |    |    |    |    |    |    |    |   |   |   |   |   |   |   |   |   |   |   |
| A          | RW         | DCDCEN |          |       | Enable DC/DC converter for REG0 stage. |    |    |    |    |    |    |    |    |    |    |    |    |    |    |    |    |    |   |   |   |   |   |   |   |   |   |   |   |
|            |            |        | Disabled | 0     | Disable                                |    |    |    |    |    |    |    |    |    |    |    |    |    |    |    |    |    |   |   |   |   |   |   |   |   |   |   |   |
|            |            |        | Enabled  | 1     | Enable                                 |    |    |    |    |    |    |    |    |    |    |    |    |    |    |    |    |    |   |   |   |   |   |   |   |   |   |   |   |

### 5.3.7.20 MAINREGSTATUS

Address offset: 0x640

Main supply status

| Bit number | 31         | 30            | 29       | 28    | 27  | 26 | 25 | 24 | 23 | 22 | 21 | 20 | 19 | 18 | 17 | 16 | 15 | 14 | 13 | 12 | 11 | 10 | 9 | 8 | 7 | 6 | 5 | 4 | 3 | 2 | 1 | 0 |
|------------|------------|---------------|----------|-------|---|----|----|----|----|----|----|----|----|----|----|----|----|----|----|----|----|----|---|---|---|---|---|---|---|---|---|---|
| ID         |            |               |          |       |   |    |    |    |    |    |    |    |    |    |    |    |    |    |    |    |    |    |   |   |   |   |   |   |   |   |   | A |
| Reset      | 0x00000000 |               |          |       |   |    |    |    |    |    |    |    |    |    |    |    |    |    |    |    |    |    |   |   |   |   |   |   |   |   |   |   |
| 0          | 0          | 0             | 0        | 0     | 0   | 0  | 0  | 0  | 0  | 0  | 0  | 0  | 0  | 0  | 0  | 0  | 0  | 0  | 0  | 0  | 0  | 0  | 0 | 0 | 0 | 0 | 0 | 0 | 0 | 0 | 0 | 0 |
| ID         | Acce       | Field         | Value ID | Value | Description                                   |    |    |    |    |    |    |    |    |    |    |    |    |    |    |    |    |    |   |   |   |   |   |   |   |   |   |   |
| A          | R          | MAINREGSTATUS |          |       | Main supply status                            |    |    |    |    |    |    |    |    |    |    |    |    |    |    |    |    |    |   |   |   |   |   |   |   |   |   |   |
|            |            |               | Normal   | 0     | Normal voltage mode. Voltage supplied on VDD. |    |    |    |    |    |    |    |    |    |    |    |    |    |    |    |    |    |   |   |   |   |   |   |   |   |   |   |
|            |            |               | High     | 1     | High voltage mode. Voltage supplied on VDDH.  |    |    |    |    |    |    |    |    |    |    |    |    |    |    |    |    |    |   |   |   |   |   |   |   |   |   |   |

### 5.3.7.21 RAM[n].POWER (n=0..8)

Address offset: 0x900 + (n × 0x10)

RAMn power control register

| Bit number | 31         | 30                      | 29       | 28    | 27   | 26 | 25 | 24 | 23 | 22 | 21 | 20 | 19 | 18 | 17 | 16 | 15 | 14 | 13 | 12 | 11 | 10 | 9 | 8 | 7 | 6 | 5 | 4 | 3 | 2 | 1 | 0 |
|------------|------------|-------------------------|----------|-------|--|----|----|----|----|----|----|----|----|----|----|----|----|----|----|----|----|----|---|---|---|---|---|---|---|---|---|---|
| ID         | f          | e                       | d        | c     | b  | a  | Z  | Y  | X  | W  | V  | U  | T  | S  | R  | Q  | P  | O  | N  | M  | L  | K  | J | I | H | G | F | E | D | C | B | A |
| Reset      | 0x0000FFFF |                         |          |       |  |    |    |    |    |    |    |    |    |    |    |    |    |    |    |    |    |    |   |   |   |   |   |   |   |   |   |   |
| 0          | 0          | 0                       | 0        | 0     | 0  | 0  | 0  | 0  | 0  | 0  | 0  | 0  | 0  | 0  | 0  | 0  | 1  | 1  | 1  | 1  | 1  | 1  | 1 | 1 | 1 | 1 | 1 | 1 | 1 | 1 | 1 |   |
| ID         | Acce       | Field                   | Value ID | Value | Description  |    |    |    |    |    |    |    |    |    |    |    |    |    |    |    |    |    |   |   |   |   |   |   |   |   |   |   |
| A-P        | RW         | S[i]POWER (i=0..15)     |          |       | Keep RAM section Si on or off in System ON mode.         |    |    |    |    |    |    |    |    |    |    |    |    |    |    |    |    |    |   |   |   |   |   |   |   |   |   |   |
|            |            |                         | Off      | 0     | Off  |    |    |    |    |    |    |    |    |    |    |    |    |    |    |    |    |    |   |   |   |   |   |   |   |   |   |   |
|            |            |                         | On       | 1     | On   |    |    |    |    |    |    |    |    |    |    |    |    |    |    |    |    |    |   |   |   |   |   |   |   |   |   |   |
| Q-f        | RW         | S[i]RETENTION (i=0..15) |          |       | Keep retention on RAM section Si when RAM section is off |    |    |    |    |    |    |    |    |    |    |    |    |    |    |    |    |    |   |   |   |   |   |   |   |   |   |   |
|            |            |                         | Off      | 0     | Off  |    |    |    |    |    |    |    |    |    |    |    |    |    |    |    |    |    |   |   |   |   |   |   |   |   |   |   |
|            |            |                         | On       | 1     | On   |    |    |    |    |    |    |    |    |    |    |    |    |    |    |    |    |    |   |   |   |   |   |   |   |   |   |   |

### 5.3.7.22 RAM[n].POWERSET (n=0..8)

Address offset: 0x904 + (n × 0x10)

RAMn power control set register

When read, this register will return the value of the POWER register.

| Bit number       | 31   | 30                      | 29       | 28    | 27  | 26 | 25 | 24 | 23 | 22 | 21 | 20 | 19 | 18 | 17 | 16 | 15 | 14 | 13 | 12 | 11 | 10 | 9 | 8 | 7 | 6 | 5 | 4 | 3 | 2 | 1 | 0 |
|------------------|------|-------------------------|----------|-------|---|----|----|----|----|----|----|----|----|----|----|----|----|----|----|----|----|----|---|---|---|---|---|---|---|---|---|---|
| ID               | f    | e                       | d        | c     | b   | a  | Z  | Y  | X  | W  | V  | U  | T  | S  | R  | Q  | P  | O  | N  | M  | L  | K  | J | I | H | G | F | E | D | C | B | A |
| Reset 0x0000FFFF | 0    | 0                       | 0        | 0     | 0   | 0  | 0  | 0  | 0  | 0  | 0  | 0  | 0  | 0  | 0  | 0  | 1  | 1  | 1  | 1  | 1  | 1  | 1 | 1 | 1 | 1 | 1 | 1 | 1 | 1 | 1 | 1 |
| ID               | Acce | Field                   | Value ID | Value | Description   |    |    |    |    |    |    |    |    |    |    |    |    |    |    |    |    |    |   |   |   |   |   |   |   |   |   |   |
| A-P              | W    | S[i]POWER (i=0..15)     | On       | 1     | Keep RAM section Si of RAMn on or off in System ON mode           |    |    |    |    |    |    |    |    |    |    |    |    |    |    |    |    |    |   |   |   |   |   |   |   |   |   |   |
| Q-f              | W    | S[i]RETENTION (i=0..15) | On       | 1     | Keep retention on RAM section Si when RAM section is switched off |    |    |    |    |    |    |    |    |    |    |    |    |    |    |    |    |    |   |   |   |   |   |   |   |   |   |   |

### 5.3.7.23 RAM[n].POWERCLR (n=0..8)

Address offset: 0x908 + (n × 0x10)

RAMn power control clear register

When read, this register will return the value of the POWER register.

| Bit number       | 31   | 30                      | 29       | 28    | 27  | 26 | 25 | 24 | 23 | 22 | 21 | 20 | 19 | 18 | 17 | 16 | 15 | 14 | 13 | 12 | 11 | 10 | 9 | 8 | 7 | 6 | 5 | 4 | 3 | 2 | 1 | 0 |
|------------------|------|-------------------------|----------|-------|---|----|----|----|----|----|----|----|----|----|----|----|----|----|----|----|----|----|---|---|---|---|---|---|---|---|---|---|
| ID               | f    | e                       | d        | c     | b   | a  | Z  | Y  | X  | W  | V  | U  | T  | S  | R  | Q  | P  | O  | N  | M  | L  | K  | J | I | H | G | F | E | D | C | B | A |
| Reset 0x0000FFFF | 0    | 0                       | 0        | 0     | 0   | 0  | 0  | 0  | 0  | 0  | 0  | 0  | 0  | 0  | 0  | 0  | 1  | 1  | 1  | 1  | 1  | 1  | 1 | 1 | 1 | 1 | 1 | 1 | 1 | 1 | 1 | 1 |
| ID               | Acce | Field                   | Value ID | Value | Description   |    |    |    |    |    |    |    |    |    |    |    |    |    |    |    |    |    |   |   |   |   |   |   |   |   |   |   |
| A-P              | W    | S[i]POWER (i=0..15)     | Off      | 1     | Keep RAM section Si of RAMn on or off in System ON mode           |    |    |    |    |    |    |    |    |    |    |    |    |    |    |    |    |    |   |   |   |   |   |   |   |   |   |   |
| Q-f              | W    | S[i]RETENTION (i=0..15) | Off      | 1     | Keep retention on RAM section Si when RAM section is switched off |    |    |    |    |    |    |    |    |    |    |    |    |    |    |    |    |    |   |   |   |   |   |   |   |   |   |   |

## 5.3.8 Electrical specification

### 5.3.8.1 Regulator operating conditions

| Symbol              | Description                                      | Min. | Typ. | Max. | Units |
|---------------------|--|------|------|------|-------|
| V <sub>DD,POR</sub> | VDD supply voltage needed during power-on reset  | 1.75 |      |      | V     |
| V <sub>DD</sub>     | Normal voltage mode operating voltage            | 1.7  | 3.0  | 3.6  | V     |
| V <sub>DDH</sub>    | High voltage mode operating voltage              | 2.5  | 3.7  | 5.5  | V     |
| C <sub>VDD</sub>    | Effective decoupling capacitance on the VDD pin  | 2.7  | 4.7  | 5.5  | μF    |
| C <sub>DEC4</sub>   | Effective decoupling capacitance on the DEC4 pin | 0.7  | 1    | 1.3  | μF    |

### 5.3.8.2 Regulator specifications, REG0 stage

| Symbol                  | Description   | Min. | Typ. | Max. | Units |
|-------------------------|---|------|------|------|-------|
| V <sub>REGOUT</sub>     | REG0 output voltage   | 1.8  |      | 3.3  | V     |
| V <sub>REGOUT,ERR</sub> | REG0 output voltage error (deviation from setting in REGOUT0 on page 46)  | -10  |      | 5    | %     |
| V <sub>VDDH-VDD</sub>   | Required difference between input voltage (VDDH) and output voltage (VDD, configured in REGOUT0 on page 46), VDDH > VDD | 0.3  |      |      | V     |
| I <sub>EXT,OFF</sub>    | External current draw <sup>11</sup> allowed in High voltage mode (supply on VDDH) during System OFF.                    |      |      | 1    | mA    |

<sup>11</sup> External current draw is defined as the sum of all GPIO currents and the current being drawn from VDD.

| Symbol         | Description  | Min. | Typ. | Max. | Units |
|----------------|--|------|------|------|-------|
| $I_{EXT,LOW}$  | External current draw <sup>11</sup> allowed in High voltage mode (supply on VDDH) when radio output power is higher than 4 dBm.            |      |      | 5    | mA    |
| $I_{EXT,HIGH}$ | External current draw <sup>11</sup> allowed in High voltage mode (supply on VDDH) when radio output power is lower than or equal to 4 dBm. |      |      | 25   | mA    |

### 5.3.8.3 Device startup times

| Symbol                     | Description  | Min. | Typ.            | Max. | Units   |
|----------------------------|--|------|-----------------|------|---------|
| $t_{POR}$                  | Time in power-on reset after supply reaches minimum operating voltage, depending on supply rise time |      |                 |      |         |
| $t_{POR,10\mu s}$          | VDD rise time 10 $\mu s$ <sup>12</sup>   |      | 1               | 10   | ms      |
| $t_{POR,10ms}$             | VDD rise time 10 ms <sup>12</sup>  |      | 9               |      | ms      |
| $t_{POR,60ms}$             | VDD rise time 60 ms <sup>12</sup>  |      | 23              | 110  | ms      |
| $t_{RISE,REG0OUT}$         | REG0 output (VDD) rise time after VDDH reaches minimum VDDH supply voltage <sup>12</sup>             |      |                 |      |         |
| $t_{RISE,REG0OUT,10\mu s}$ | VDDH rise time 10 $\mu s$ <sup>12</sup>  |      | 0.22            | 1.55 | ms      |
| $t_{RISE,REG0OUT,10ms}$    | VDDH rise time 10 ms <sup>12</sup>   |      | 5               |      | ms      |
| $t_{RISE,REG0OUT,100ms}$   | VDDH rise time 100 ms <sup>12</sup>  | 30   | 50              | 80   | ms      |
| $t_{PINR}$                 | Reset time when using pin reset, depending on pin capacitance  |      |                 |      |         |
| $t_{PINR,500nF}$           | 500 nF capacitance at reset pin  |      |                 | 32.5 | ms      |
| $t_{PINR,10\mu F}$         | 10 $\mu F$ capacitance at reset pin  |      |                 | 650  | ms      |
| $t_{R2ON}$                 | Time from power-on reset to System ON  |      |                 |      |         |
| $t_{R2ON,NOTCONF}$         | If reset pin not configured  |      | tPOR            |      | ms      |
| $t_{R2ON,CONF}$            | If reset pin configured  |      | tPOR +<br>tPINR |      | ms      |
| $t_{OFF2ON}$               | Time from OFF to CPU execute   |      | 16.5            |      | $\mu s$ |
| $t_{IDLE2CPU}$             | Time from IDLE to CPU execute  |      | 3.0             |      | $\mu s$ |
| $t_{EVTSET,CL1}$           | Time from HW event to PPI event in Constant Latency System ON mode                                   |      | 0.0625          |      | $\mu s$ |
| $t_{EVTSET,CL0}$           | Time from HW event to PPI event in Low Power System ON mode  |      | 0.0625          |      | $\mu s$ |

<sup>12</sup> See [Recommended operating conditions](#) on page 622 for more information.



### 5.3.8.4 Power fail comparator

| Symbol               | Description  | Min. | Typ. | Max. | Units |
|----------------------|--|------|------|------|-------|
| V <sub>POF,NV</sub>  | Nominal power level warning thresholds (falling supply voltage) in Normal voltage mode (supply on VDD). Levels are configurable between Min. and Max. in 100 mV increments | 1.7  |      | 2.8  | V     |
| V <sub>POF,HV</sub>  | Nominal power level warning thresholds (falling supply voltage) in High voltage mode (supply on VDDH). Levels are configurable in 100 mV increments                        | 2.7  |      | 4.2  | V     |
| V <sub>POFTOL</sub>  | Threshold voltage tolerance (applies in both Normal voltage mode and High voltage mode)  | -5   |      | 5    | %     |
| V <sub>POFHYST</sub> | Threshold voltage hysteresis (applies in both Normal voltage mode and High voltage mode)   | 40   | 50   | 60   | mV    |
| V <sub>BOR,OFF</sub> | Brownout reset voltage range System OFF mode. Brownout only applies to the voltage on VDD  | 1.2  |      | 1.62 | V     |
| V <sub>BOR,ON</sub>  | Brownout reset voltage range System ON mode. Brownout only applies to the voltage on VDD   | 1.57 | 1.6  | 1.63 | V     |

### 5.3.8.5 USB operating conditions

| Symbol            | Description                | Min.      | Typ. | Max.         | Units |
|-------------------|----------------------------|-----------|------|--------------|-------|
| V <sub>BUS</sub>  | Supply voltage on VBUS pin | 4.35      | 5    | 5.5          | V     |
| V <sub>DPDM</sub> | Voltage on D+ and D- lines | VSS - 0.3 |      | VUSB33 + 0.3 | V     |

### 5.3.8.6 USB regulator specifications

| Symbol                       | Description  | Min. | Typ. | Max. | Units |
|------------------------------|--|------|------|------|-------|
| I <sub>USB,QUIES</sub>       | USB regulator quiescent current drawn from VBUS (USB enabled)                          |      | 170  |      | μA    |
| t <sub>USBPWRRDY</sub>       | Time from USB enabled to USBPWRRDY event triggered, V <sub>BUS</sub> supply provided   |      | 1    |      | ms    |
| V <sub>USB33</sub>           | On voltage at the USB regulator output (DECUSB pin)                                    | 3.0  | 3.3  | 3.6  | V     |
| R <sub>SOURCE,VBUS</sub>     | Maximum source resistance on VBUS, including cable, when VDDH is not connected to VBUS |      |      | 6    | Ω     |
| R <sub>SOURCE,VBUSVDDH</sub> | Maximum source resistance on VBUS, including cable, when VDDH is connected to VBUS     |      |      | 3.8  | Ω     |
| C <sub>DECUSB</sub>          | Decoupling capacitor on the DECUSB pin   | 2.35 | 4.7  | 5.5  | μF    |

### 5.3.8.7 VBUS detection specifications

| Symbol                  | Description  | Min. | Typ. | Max. | Units |
|-------------------------|--|------|------|------|-------|
| V <sub>BUS,DETECT</sub> | Voltage at which rising VBUS gets reported by USBDETECTED    | 3.4  | 4.0  | 4.3  | V     |
| V <sub>BUS,REMOVE</sub> | Voltage at which decreasing VBUS gets reported by USBREMOVED | 3.0  | 3.6  | 3.9  | V     |

## 5.4 CLOCK — Clock control

The clock control system can source the system clocks from a range of internal or external high and low frequency oscillators and distribute them to modules based upon a module's individual requirements.

Clock distribution is automated and grouped independently by module to limit current consumption in unused branches of the clock tree.

Listed here are the main features for CLOCK:

- 64 MHz on-chip oscillator
- 64 MHz crystal oscillator, using external 32 MHz crystal
- 32.768 kHz +/-500 ppm RC oscillator
- 32.768 kHz crystal oscillator, using external 32.768 kHz crystal
- 32.768 kHz oscillator synthesized from 64 MHz oscillator
- Firmware (FW) override control of crystal oscillator activity for low latency start up
- Automatic internal oscillator and clock control, and distribution for ultra-low power

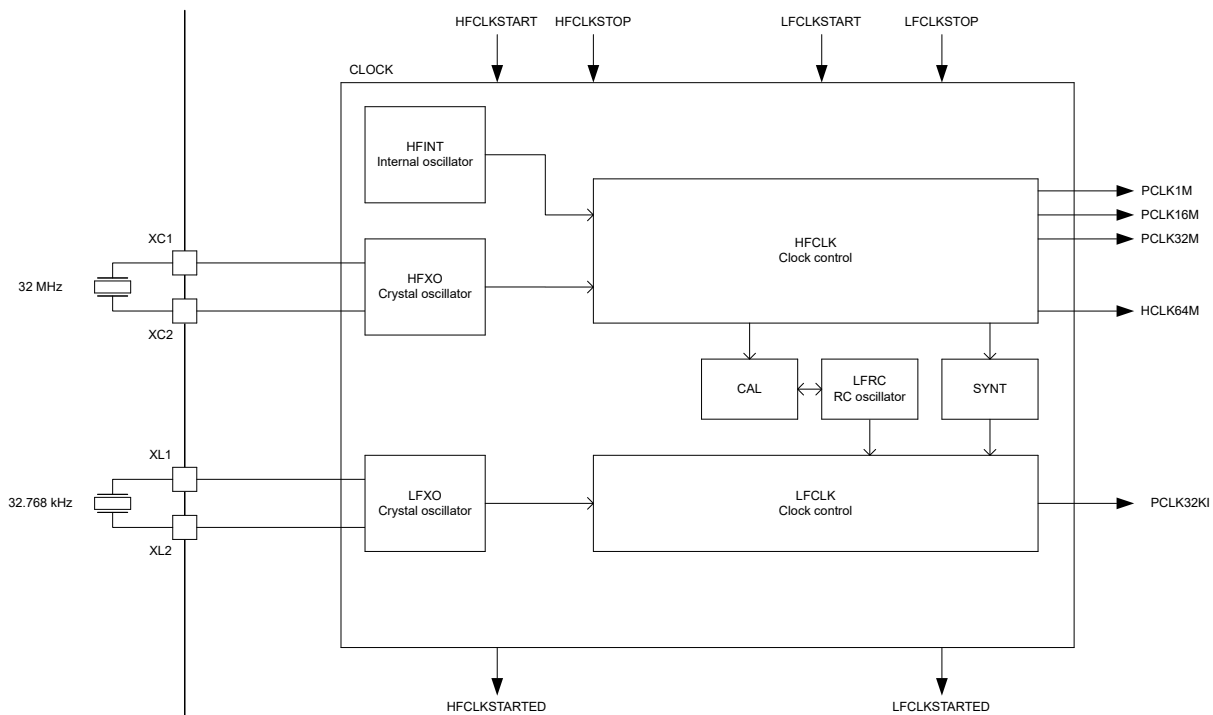


Figure 22: Clock control

### 5.4.1 HFCLK controller

The HFCLK controller provides several clock signals in the system.

These are as follows:

- HCLK64M: 64 MHz CPU clock
- PCLK1M: 1 MHz peripheral clock
- PCLK16M: 16 MHz peripheral clock
- PCLK32M: 32 MHz peripheral clock

The HFCLK controller uses the following high frequency clock (HFCLK) sources:

- 64 MHz internal oscillator (HFINT)
- 64 MHz crystal oscillator (HF XO)

For illustration, see [Clock control](#) on page 86.

The HFCLK controller will automatically provide the clock(s) requested by the system. If the system does not request any clocks from the HFCLK controller, the controller will enter a power saving mode.

The HFINT source will be used when HFCLK is requested and HFXO has not been started.

The HFXO is started by triggering the HFCLKSTART task and stopped by triggering the HFCLKSTOP task. When the HFCLKSTART task is triggered, the HFCLKSTARTED event is generated once the HFXO startup time has elapsed. The HFXO startup time is given as the sum of the following:

- HFXO power-up time, as specified in [64 MHz crystal oscillator \(HFXO\)](#) on page 99.
- HFXO debounce time, as specified in register [HFXODEBOUNCE](#) on page 97.

The HFXO must be running to use the RADIO or the calibration mechanism associated with the 32.768 kHz RC oscillator.

#### 5.4.1.1 64 MHz crystal oscillator (HFXO)

The 64 MHz crystal oscillator (HFXO) is controlled by a 32 MHz external crystal.

The crystal oscillator is designed for use with an AT-cut quartz crystal in parallel resonant mode. To achieve correct oscillation frequency, the load capacitance must match the specification in the crystal data sheet.

[Circuit diagram of the 64 MHz crystal oscillator](#) on page 87 shows how the 32 MHz crystal is connected to the 64 MHz crystal oscillator.

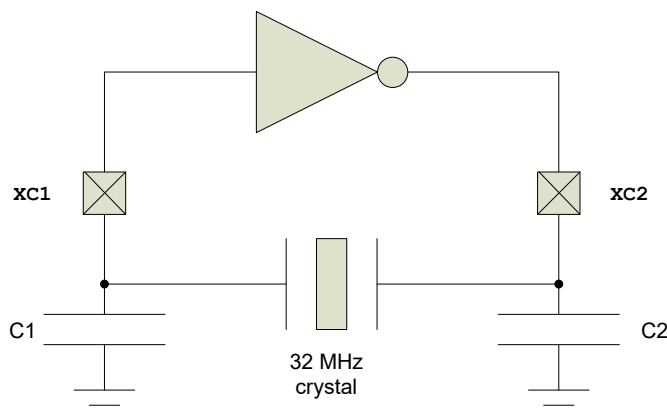


Figure 23: Circuit diagram of the 64 MHz crystal oscillator

The load capacitance (CL) is the total capacitance seen by the crystal across its terminals and is given by:

$$CL = \frac{(C1' \cdot C2')}{(C1' + C2')}$$

$$C1' = C1 + C_{pcb1} + C_{pin}$$

$$C2' = C2 + C_{pcb2} + C_{pin}$$

C1 and C2 are ceramic SMD capacitors connected between each crystal terminal and ground. For more information, see [Reference circuitry](#) on page 588.  $C_{pcb1}$  and  $C_{pcb2}$  are stray capacitances on the PCB.  $C_{pin}$  is the pin input capacitance on the XC1 and XC2 pins. See table [64 MHz crystal oscillator \(HFXO\)](#) on page 99. The load capacitors C1 and C2 should have the same value.

For reliable operation, the crystal load capacitance, shunt capacitance, equivalent series resistance, and drive level must comply with the specifications in table [64 MHz crystal oscillator \(HFXO\)](#) on page 99. It is recommended to use a crystal with lower than maximum load capacitance and/or shunt capacitance. A low load capacitance will reduce both start up time and current consumption.

## 5.4.2 LFCLK controller

The system supports several low frequency clock sources.

As illustrated in [Clock control](#) on page 86, the system supports the following low frequency clock sources:

- 32.768 kHz RC oscillator (LFRC)
- 32.768 kHz crystal oscillator (LFXO)
- 32.768 kHz synthesized from HFCLK (LFSYNT)

The LFCLK controller and all of the LFCLK clock sources are always switched off when in System OFF mode.

The LFCLK clock is started by first selecting the preferred clock source in register [LFCLKSRC](#) on page 97 and then triggering the LFCLKSTART task. If the LFXO is selected as the clock source, the LFCLK will initially start running from the 32.768 kHz LFRC while the LFXO is starting up and automatically switch to using the LFXO once this oscillator is running. The LFCLKSTARTED event will be generated when the LFXO has been started.

The LFCLK clock is stopped by triggering the LFCLKSTOP task.

Register [LFCLKSRC](#) on page 97 controls the clock source, and its allowed swing. The truth table for various situations is as follows:

| SRC | EXTERNAL | BYPASS | Comment  |
|-----|----------|--------|--|
| 0   | 0        | 0      | Normal operation, LFRC is source   |
| 0   | 0        | 1      | DO NOT USE   |
| 0   | 1        | X      | DO NOT USE   |
| 1   | 0        | 0      | Normal XTAL operation  |
| 1   | 1        | 0      | Apply external low swing signal to XL1, ground XL2                         |
| 1   | 1        | 1      | Apply external full swing signal to XL1, leave XL2 grounded or unconnected |
| 1   | 0        | 1      | DO NOT USE   |
| 2   | 0        | 0      | Normal operation, LFSYNT is source   |
| 2   | 0        | 1      | DO NOT USE   |
| 2   | 1        | X      | DO NOT USE   |

Table 20: LFCLKSRC configuration depending on clock source

It is not allowed to write to register [LFCLKSRC](#) on page 97 when the LFCLK is running.

A LFCLKSTOP task will stop the LFCLK oscillator. However, the LFCLKSTOP task can only be triggered after the STATE field in register [LFCLKSTAT](#) on page 96 indicates LFCLK running state.

The synthesized 32.768 kHz clock depends on the HFCLK to run. If high accuracy is required for the LFCLK running off the synthesized 32.768 kHz clock, the HFCLK must running from the HFXO source.

### 5.4.2.1 32.768 kHz RC oscillator (LFRC)

The default source of the low frequency clock (LFCLK) is the 32.768 kHz RC oscillator (LFRC).

The LFRC oscillator does not require additional external components.

The LFRC oscillator has two modes of operation, normal and ultra-low power (ULP) mode, enabling the user to trade power consumption against accuracy of the clock. The LFRC mode is configured in register [LFRCMODE](#). The LFRC oscillator has to be stopped before changing the mode of the oscillator.

The LFRC frequency will be affected by variation in temperature. The LFRC oscillator can be calibrated to improve accuracy by using the HFXO as a reference oscillator during calibration.

### 5.4.2.2 Calibrating the 32.768 kHz RC oscillator

After the LFRC oscillator is started and running, it can be calibrated by triggering the CAL task.

The LFRC oscillator will then temporarily request the HFCLK to be used as a reference for the calibration. A DONE event will be generated when calibration has finished. The HFCLK crystal oscillator has to be started (by triggering the HFCLKSTART task) in order for the calibration mechanism to work.

It is not allowed to stop the LFRC or write to `LFRCMODE` during an ongoing calibration.

### 5.4.2.3 Calibration timer

The calibration timer can be used to time the calibration interval of the 32.768 kHz RC oscillator.

The calibration timer is started by triggering the CTSTART task and stopped by triggering the CTSTOP task. The calibration timer will always start counting down from the value specified in `CTIV` (Retained) on page 98 and generate a CTTO event when it reaches 0. The calibration timer will automatically stop when it reaches 0.

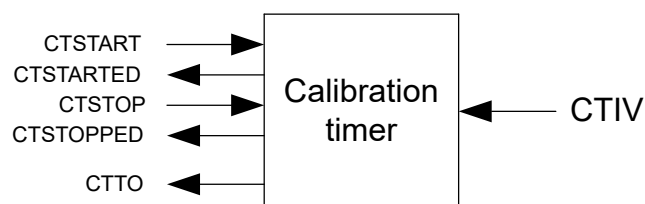


Figure 24: Calibration timer

After a CTSTART task has been triggered, the calibration timer will ignore further tasks until it has returned the CTSTARTED event. Likewise, after a CTSTOP task has been triggered, the calibration timer will ignore further tasks until it has returned a CTSTOPPED event. Triggering CTSTART while the calibration timer is running will immediately return a CTSTARTED event. Triggering CTSTOP when the calibration timer is stopped will immediately return a CTSTOPPED event.

### 5.4.2.4 32.768 kHz crystal oscillator (LFXO)

For higher LFCLK accuracy (when better than +/- 500 ppm accuracy is required), the low frequency crystal oscillator (LFXO) must be used.

The following external clock sources are supported:

- Low swing clock signal applied to the `XL1` pin. The `XL2` pin shall then be grounded.
- Rail-to-rail clock signal applied to the `XL1` pin. The `XL2` pin shall then be grounded or left unconnected.

To achieve correct oscillation frequency, the load capacitance must match the specification in the crystal data sheet. [Circuit diagram of the 32.768 kHz crystal oscillator](#) on page 89 shows the LFXO circuitry.

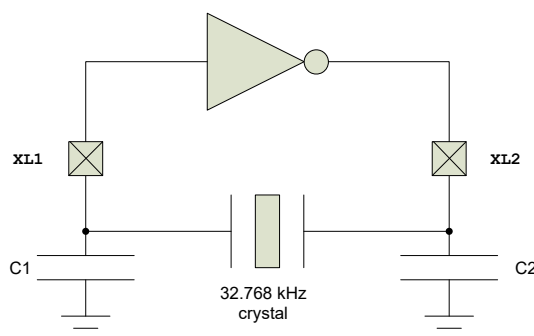


Figure 25: Circuit diagram of the 32.768 kHz crystal oscillator

The load capacitance (CL) is the total capacitance seen by the crystal across its terminals and is given by:

$$CL = \frac{(C1' \cdot C2')}{(C1' + C2')}$$

$$C1' = C1 + C_{pcb1} + C_{pin}$$

$$C2' = C2 + C_{pcb2} + C_{pin}$$

C1 and C2 are ceramic SMD capacitors connected between each crystal terminal and ground.  $C_{pcb1}$  and  $C_{pcb2}$  are stray capacitances on the PCB.  $C_{pin}$  is the pin input capacitance on the XC1 and XC2 pins (see [Low frequency crystal oscillator \(LFXO\)](#) on page 100). The load capacitors C1 and C2 should have the same value.

For more information, see [Reference circuitry](#) on page 588.

### 5.4.2.5 32.768 kHz synthesized from HFCLK (LFSYNT)

LFCLK can also be synthesized from the HFCLK clock source. The accuracy of LFCLK will then be the accuracy of the HFCLK.

Using the LFSYNT clock avoids the requirement for a 32.768 kHz crystal, but increases average power consumption as the HFCLK will need to be requested in the system.

## 5.4.3 Registers

| Base address | Peripheral | Instance | Description   | Configuration |
|--------------|------------|----------|---------------|---------------|
| 0x40000000   | CLOCK      | CLOCK    | Clock control |               |

Table 21: Instances

| Register            | Offset | Description  |          |
|---------------------|--------|--|----------|
| TASKS_HFCLKSTART    | 0x000  | Start HFXO crystal oscillator  |          |
| TASKS_HFCLKSTOP     | 0x004  | Stop HFXO crystal oscillator   |          |
| TASKS_LFCLKSTART    | 0x008  | Start LFCLK  |          |
| TASKS_LFCLKSTOP     | 0x00C  | Stop LFCLK   |          |
| TASKS_CAL           | 0x010  | Start calibration of LFRC  |          |
| TASKS_CTSTART       | 0x014  | Start calibration timer  |          |
| TASKS_CTSTOP        | 0x018  | Stop calibration timer   |          |
| EVENTS_HFCLKSTARTED | 0x100  | HFXO crystal oscillator started  |          |
| EVENTS_LFCLKSTARTED | 0x104  | LFCLK started  |          |
| EVENTS_DONE         | 0x10C  | Calibration of LFRC completed  |          |
| EVENTS_CTTO         | 0x110  | Calibration timer timeout  |          |
| EVENTS_CTSTARTED    | 0x128  | Calibration timer has been started and is ready to process new tasks             |          |
| EVENTS_CTSTOPPED    | 0x12C  | Calibration timer has been stopped and is ready to process new tasks             |          |
| INTENSET            | 0x304  | Enable interrupt   |          |
| INTENCLR            | 0x308  | Disable interrupt  |          |
| HFCLKRUN            | 0x408  | Status indicating that HFCLKSTART task has been triggered                        |          |
| HFCLKSTAT           | 0x40C  | HFCLK status   |          |
| LFCLKRUN            | 0x414  | Status indicating that LFCLKSTART task has been triggered                        |          |
| LFCLKSTAT           | 0x418  | LFCLK status   |          |
| LFCLKSRC_COPY       | 0x41C  | Copy of LFCLKSRC register, set when LFCLKSTART task was triggered                |          |
| LFCLKSRC            | 0x518  | Clock source for the LFCLK   |          |
| HFXODEBOUNCE        | 0x528  | HFXO debounce time. The HFXO is started by triggering the TASKS_HFCLKSTART task. |          |
| CTIV                | 0x538  | Calibration timer interval   | Retained |

| Register    | Offset | Description   |
|-------------|--------|---|
| TRACECONFIG | 0x55C  | Clocking options for the trace port debug interface |
| LFRCMODE    | 0x5B4  | LFRC mode configuration                             |

Table 22: Register overview

### 5.4.3.1 TASKS\_HFCLKSTART

Address offset: 0x000

Start HFXO crystal oscillator

| Bit number       | 31  | 30               | 29       | 28    | 27                            | 26 | 25 | 24 | 23 | 22 | 21 | 20 | 19 | 18 | 17 | 16 | 15 | 14 | 13 | 12 | 11 | 10 | 9 | 8 | 7 | 6 | 5 | 4 | 3 | 2 | 1 | 0 |
|------------------|---|------------------|----------|-------|-------------------------------|----|----|----|----|----|----|----|----|----|----|----|----|----|----|----|----|----|---|---|---|---|---|---|---|---|---|---|
| ID               |   |                  |          |       |                               |    |    |    |    |    |    |    |    |    |    |    |    |    |    |    |    |    |   |   |   |   |   |   |   |   |   | A |
| Reset 0x00000000 | 0 |                  |          |       |                               |    |    |    |    |    |    |    |    |    |    |    |    |    |    |    |    |    |   |   |   |   |   |   |   |   |   |   |
| ID               | Acce  | Field            | Value ID | Value | Description                   |    |    |    |    |    |    |    |    |    |    |    |    |    |    |    |    |    |   |   |   |   |   |   |   |   |   |   |
| A                | W   | TASKS_HFCLKSTART |          |       | Start HFXO crystal oscillator |    |    |    |    |    |    |    |    |    |    |    |    |    |    |    |    |    |   |   |   |   |   |   |   |   |   |   |
|                  |   |                  | Trigger  | 1     | Trigger task                  |    |    |    |    |    |    |    |    |    |    |    |    |    |    |    |    |    |   |   |   |   |   |   |   |   |   |   |

### 5.4.3.2 TASKS\_HFCLKSTOP

Address offset: 0x004

Stop HFXO crystal oscillator

| Bit number       | 31  | 30              | 29       | 28    | 27                           | 26 | 25 | 24 | 23 | 22 | 21 | 20 | 19 | 18 | 17 | 16 | 15 | 14 | 13 | 12 | 11 | 10 | 9 | 8 | 7 | 6 | 5 | 4 | 3 | 2 | 1 | 0 |
|------------------|---|-----------------|----------|-------|------------------------------|----|----|----|----|----|----|----|----|----|----|----|----|----|----|----|----|----|---|---|---|---|---|---|---|---|---|---|
| ID               |   |                 |          |       |                              |    |    |    |    |    |    |    |    |    |    |    |    |    |    |    |    |    |   |   |   |   |   |   |   |   |   | A |
| Reset 0x00000000 | 0 |                 |          |       |                              |    |    |    |    |    |    |    |    |    |    |    |    |    |    |    |    |    |   |   |   |   |   |   |   |   |   |   |
| ID               | Acce  | Field           | Value ID | Value | Description                  |    |    |    |    |    |    |    |    |    |    |    |    |    |    |    |    |    |   |   |   |   |   |   |   |   |   |   |
| A                | W   | TASKS_HFCLKSTOP |          |       | Stop HFXO crystal oscillator |    |    |    |    |    |    |    |    |    |    |    |    |    |    |    |    |    |   |   |   |   |   |   |   |   |   |   |
|                  |   |                 | Trigger  | 1     | Trigger task                 |    |    |    |    |    |    |    |    |    |    |    |    |    |    |    |    |    |   |   |   |   |   |   |   |   |   |   |

### 5.4.3.3 TASKS\_LFCLKSTART

Address offset: 0x008

Start LFCLK

| Bit number       | 31  | 30               | 29       | 28    | 27           | 26 | 25 | 24 | 23 | 22 | 21 | 20 | 19 | 18 | 17 | 16 | 15 | 14 | 13 | 12 | 11 | 10 | 9 | 8 | 7 | 6 | 5 | 4 | 3 | 2 | 1 | 0 |
|------------------|---|------------------|----------|-------|--------------|----|----|----|----|----|----|----|----|----|----|----|----|----|----|----|----|----|---|---|---|---|---|---|---|---|---|---|
| ID               |   |                  |          |       |              |    |    |    |    |    |    |    |    |    |    |    |    |    |    |    |    |    |   |   |   |   |   |   |   |   |   | A |
| Reset 0x00000000 | 0 |                  |          |       |              |    |    |    |    |    |    |    |    |    |    |    |    |    |    |    |    |    |   |   |   |   |   |   |   |   |   |   |
| ID               | Acce  | Field            | Value ID | Value | Description  |    |    |    |    |    |    |    |    |    |    |    |    |    |    |    |    |    |   |   |   |   |   |   |   |   |   |   |
| A                | W   | TASKS_LFCLKSTART |          |       | Start LFCLK  |    |    |    |    |    |    |    |    |    |    |    |    |    |    |    |    |    |   |   |   |   |   |   |   |   |   |   |
|                  |   |                  | Trigger  | 1     | Trigger task |    |    |    |    |    |    |    |    |    |    |    |    |    |    |    |    |    |   |   |   |   |   |   |   |   |   |   |

### 5.4.3.4 TASKS\_LFCLKSTOP

Address offset: 0x00C

Stop LFCLK

| Bit number       | 31  | 30       | 29    | 28                         | 27 | 26 | 25 | 24 | 23 | 22 | 21 | 20 | 19 | 18 | 17 | 16 | 15 | 14 | 13 | 12 | 11 | 10 | 9 | 8 | 7 | 6 | 5 | 4 | 3 | 2 | 1 | 0 |
|------------------|---|----------|-------|----------------------------|----|----|----|----|----|----|----|----|----|----|----|----|----|----|----|----|----|----|---|---|---|---|---|---|---|---|---|---|
| ID               |   |          |       |                            |    |    |    |    |    |    |    |    |    |    |    |    |    |    |    |    |    |    |   |   |   |   |   |   |   |   |   | A |
| Reset 0x00000000 | 0 |          |       |                            |    |    |    |    |    |    |    |    |    |    |    |    |    |    |    |    |    |    |   |   |   |   |   |   |   |   |   |   |
| ID               | Acce Field  | Value ID | Value | Description                |    |    |    |    |    |    |    |    |    |    |    |    |    |    |    |    |    |    |   |   |   |   |   |   |   |   |   |   |
| A                | W TASKS_LFCLKSTOP   | Trigger  | 1     | Stop LFCLK<br>Trigger task |    |    |    |    |    |    |    |    |    |    |    |    |    |    |    |    |    |    |   |   |   |   |   |   |   |   |   |   |

### 5.4.3.5 TASKS\_CAL

Address offset: 0x010

Start calibration of LFRC

| Bit number       | 31  | 30       | 29    | 28  | 27 | 26 | 25 | 24 | 23 | 22 | 21 | 20 | 19 | 18 | 17 | 16 | 15 | 14 | 13 | 12 | 11 | 10 | 9 | 8 | 7 | 6 | 5 | 4 | 3 | 2 | 1 | 0 |
|------------------|---|----------|-------|---|----|----|----|----|----|----|----|----|----|----|----|----|----|----|----|----|----|----|---|---|---|---|---|---|---|---|---|---|
| ID               |   |          |       |   |    |    |    |    |    |    |    |    |    |    |    |    |    |    |    |    |    |    |   |   |   |   |   |   |   |   |   | A |
| Reset 0x00000000 | 0 |          |       |   |    |    |    |    |    |    |    |    |    |    |    |    |    |    |    |    |    |    |   |   |   |   |   |   |   |   |   |   |
| ID               | Acce Field  | Value ID | Value | Description                               |    |    |    |    |    |    |    |    |    |    |    |    |    |    |    |    |    |    |   |   |   |   |   |   |   |   |   |   |
| A                | W TASKS_CAL   | Trigger  | 1     | Start calibration of LFRC<br>Trigger task |    |    |    |    |    |    |    |    |    |    |    |    |    |    |    |    |    |    |   |   |   |   |   |   |   |   |   |   |

### 5.4.3.6 TASKS\_CTSTART

Address offset: 0x014

Start calibration timer

| Bit number       | 31  | 30       | 29    | 28                                      | 27 | 26 | 25 | 24 | 23 | 22 | 21 | 20 | 19 | 18 | 17 | 16 | 15 | 14 | 13 | 12 | 11 | 10 | 9 | 8 | 7 | 6 | 5 | 4 | 3 | 2 | 1 | 0 |
|------------------|---|----------|-------|---|----|----|----|----|----|----|----|----|----|----|----|----|----|----|----|----|----|----|---|---|---|---|---|---|---|---|---|---|
| ID               |   |          |       |   |    |    |    |    |    |    |    |    |    |    |    |    |    |    |    |    |    |    |   |   |   |   |   |   |   |   |   | A |
| Reset 0x00000000 | 0 |          |       |   |    |    |    |    |    |    |    |    |    |    |    |    |    |    |    |    |    |    |   |   |   |   |   |   |   |   |   |   |
| ID               | Acce Field  | Value ID | Value | Description                             |    |    |    |    |    |    |    |    |    |    |    |    |    |    |    |    |    |    |   |   |   |   |   |   |   |   |   |   |
| A                | W TASKS_CTSTART   | Trigger  | 1     | Start calibration timer<br>Trigger task |    |    |    |    |    |    |    |    |    |    |    |    |    |    |    |    |    |    |   |   |   |   |   |   |   |   |   |   |

### 5.4.3.7 TASKS\_CTSTOP

Address offset: 0x018

Stop calibration timer

| Bit number       | 31  | 30       | 29    | 28                                     | 27 | 26 | 25 | 24 | 23 | 22 | 21 | 20 | 19 | 18 | 17 | 16 | 15 | 14 | 13 | 12 | 11 | 10 | 9 | 8 | 7 | 6 | 5 | 4 | 3 | 2 | 1 | 0 |
|------------------|---|----------|-------|--|----|----|----|----|----|----|----|----|----|----|----|----|----|----|----|----|----|----|---|---|---|---|---|---|---|---|---|---|
| ID               |   |          |       |  |    |    |    |    |    |    |    |    |    |    |    |    |    |    |    |    |    |    |   |   |   |   |   |   |   |   |   | A |
| Reset 0x00000000 | 0 |          |       |  |    |    |    |    |    |    |    |    |    |    |    |    |    |    |    |    |    |    |   |   |   |   |   |   |   |   |   |   |
| ID               | Acce Field  | Value ID | Value | Description                            |    |    |    |    |    |    |    |    |    |    |    |    |    |    |    |    |    |    |   |   |   |   |   |   |   |   |   |   |
| A                | W TASKS_CTSTOP  | Trigger  | 1     | Stop calibration timer<br>Trigger task |    |    |    |    |    |    |    |    |    |    |    |    |    |    |    |    |    |    |   |   |   |   |   |   |   |   |   |   |

### 5.4.3.8 EVENTS\_HFCLKSTARTED

Address offset: 0x100

HFXO crystal oscillator started



| Bit number | 31  | 30                  | 29    | 28                               | 27 | 26 | 25 | 24 | 23 | 22 | 21 | 20 | 19 | 18 | 17 | 16 | 15 | 14 | 13 | 12 | 11 | 10 | 9 | 8 | 7 | 6 | 5 | 4 | 3 | 2 | 1 | 0 |
|------------|---|---------------------|-------|----------------------------------|----|----|----|----|----|----|----|----|----|----|----|----|----|----|----|----|----|----|---|---|---|---|---|---|---|---|---|---|
| ID         |   |                     |       |                                  |    |    |    |    |    |    |    |    |    |    |    |    |    |    |    |    |    |    |   |   |   |   |   |   |   |   |   | A |
| Reset      | 0x00000000  |                     |       |                                  |    |    |    |    |    |    |    |    |    |    |    |    |    |    |    |    |    |    |   |   |   |   |   |   |   |   |   |   |
| Reset      | 0 |                     |       |                                  |    |    |    |    |    |    |    |    |    |    |    |    |    |    |    |    |    |    |   |   |   |   |   |   |   |   |   |   |
| ID         | Acce Field  | Value ID            | Value | Description                      |    |    |    |    |    |    |    |    |    |    |    |    |    |    |    |    |    |    |   |   |   |   |   |   |   |   |   |   |
| A          | RW  | EVENTS_HFCLKSTARTED |       | HF XO crystal oscillator started |    |    |    |    |    |    |    |    |    |    |    |    |    |    |    |    |    |    |   |   |   |   |   |   |   |   |   |   |
|            |   | NotGenerated        | 0     | Event not generated              |    |    |    |    |    |    |    |    |    |    |    |    |    |    |    |    |    |    |   |   |   |   |   |   |   |   |   |   |
|            |   | Generated           | 1     | Event generated                  |    |    |    |    |    |    |    |    |    |    |    |    |    |    |    |    |    |    |   |   |   |   |   |   |   |   |   |   |

### 5.4.3.9 EVENTS\_LFCLKSTARTED

Address offset: 0x104

LFCLK started

| Bit number | 31  | 30                  | 29    | 28                  | 27 | 26 | 25 | 24 | 23 | 22 | 21 | 20 | 19 | 18 | 17 | 16 | 15 | 14 | 13 | 12 | 11 | 10 | 9 | 8 | 7 | 6 | 5 | 4 | 3 | 2 | 1 | 0 |
|------------|---|---------------------|-------|---------------------|----|----|----|----|----|----|----|----|----|----|----|----|----|----|----|----|----|----|---|---|---|---|---|---|---|---|---|---|
| ID         |   |                     |       |                     |    |    |    |    |    |    |    |    |    |    |    |    |    |    |    |    |    |    |   |   |   |   |   |   |   |   |   | A |
| Reset      | 0x00000000  |                     |       |                     |    |    |    |    |    |    |    |    |    |    |    |    |    |    |    |    |    |    |   |   |   |   |   |   |   |   |   |   |
| Reset      | 0 |                     |       |                     |    |    |    |    |    |    |    |    |    |    |    |    |    |    |    |    |    |    |   |   |   |   |   |   |   |   |   |   |
| ID         | Acce Field  | Value ID            | Value | Description         |    |    |    |    |    |    |    |    |    |    |    |    |    |    |    |    |    |    |   |   |   |   |   |   |   |   |   |   |
| A          | RW  | EVENTS_LFCLKSTARTED |       | LFCLK started       |    |    |    |    |    |    |    |    |    |    |    |    |    |    |    |    |    |    |   |   |   |   |   |   |   |   |   |   |
|            |   | NotGenerated        | 0     | Event not generated |    |    |    |    |    |    |    |    |    |    |    |    |    |    |    |    |    |    |   |   |   |   |   |   |   |   |   |   |
|            |   | Generated           | 1     | Event generated     |    |    |    |    |    |    |    |    |    |    |    |    |    |    |    |    |    |    |   |   |   |   |   |   |   |   |   |   |

### 5.4.3.10 EVENTS\_DONE

Address offset: 0x10C

Calibration of LFRC completed

| Bit number | 31  | 30           | 29    | 28                            | 27 | 26 | 25 | 24 | 23 | 22 | 21 | 20 | 19 | 18 | 17 | 16 | 15 | 14 | 13 | 12 | 11 | 10 | 9 | 8 | 7 | 6 | 5 | 4 | 3 | 2 | 1 | 0 |
|------------|---|--------------|-------|-------------------------------|----|----|----|----|----|----|----|----|----|----|----|----|----|----|----|----|----|----|---|---|---|---|---|---|---|---|---|---|
| ID         |   |              |       |                               |    |    |    |    |    |    |    |    |    |    |    |    |    |    |    |    |    |    |   |   |   |   |   |   |   |   |   | A |
| Reset      | 0x00000000  |              |       |                               |    |    |    |    |    |    |    |    |    |    |    |    |    |    |    |    |    |    |   |   |   |   |   |   |   |   |   |   |
| Reset      | 0 |              |       |                               |    |    |    |    |    |    |    |    |    |    |    |    |    |    |    |    |    |    |   |   |   |   |   |   |   |   |   |   |
| ID         | Acce Field  | Value ID     | Value | Description                   |    |    |    |    |    |    |    |    |    |    |    |    |    |    |    |    |    |    |   |   |   |   |   |   |   |   |   |   |
| A          | RW  | EVENTS_DONE  |       | Calibration of LFRC completed |    |    |    |    |    |    |    |    |    |    |    |    |    |    |    |    |    |    |   |   |   |   |   |   |   |   |   |   |
|            |   | NotGenerated | 0     | Event not generated           |    |    |    |    |    |    |    |    |    |    |    |    |    |    |    |    |    |    |   |   |   |   |   |   |   |   |   |   |
|            |   | Generated    | 1     | Event generated               |    |    |    |    |    |    |    |    |    |    |    |    |    |    |    |    |    |    |   |   |   |   |   |   |   |   |   |   |

### 5.4.3.11 EVENTS\_CTTO

Address offset: 0x110

Calibration timer timeout

| Bit number | 31  | 30           | 29    | 28                        | 27 | 26 | 25 | 24 | 23 | 22 | 21 | 20 | 19 | 18 | 17 | 16 | 15 | 14 | 13 | 12 | 11 | 10 | 9 | 8 | 7 | 6 | 5 | 4 | 3 | 2 | 1 | 0 |
|------------|---|--------------|-------|---------------------------|----|----|----|----|----|----|----|----|----|----|----|----|----|----|----|----|----|----|---|---|---|---|---|---|---|---|---|---|
| ID         |   |              |       |                           |    |    |    |    |    |    |    |    |    |    |    |    |    |    |    |    |    |    |   |   |   |   |   |   |   |   |   | A |
| Reset      | 0x00000000  |              |       |                           |    |    |    |    |    |    |    |    |    |    |    |    |    |    |    |    |    |    |   |   |   |   |   |   |   |   |   |   |
| Reset      | 0 |              |       |                           |    |    |    |    |    |    |    |    |    |    |    |    |    |    |    |    |    |    |   |   |   |   |   |   |   |   |   |   |
| ID         | Acce Field  | Value ID     | Value | Description               |    |    |    |    |    |    |    |    |    |    |    |    |    |    |    |    |    |    |   |   |   |   |   |   |   |   |   |   |
| A          | RW  | EVENTS_CTTO  |       | Calibration timer timeout |    |    |    |    |    |    |    |    |    |    |    |    |    |    |    |    |    |    |   |   |   |   |   |   |   |   |   |   |
|            |   | NotGenerated | 0     | Event not generated       |    |    |    |    |    |    |    |    |    |    |    |    |    |    |    |    |    |    |   |   |   |   |   |   |   |   |   |   |
|            |   | Generated    | 1     | Event generated           |    |    |    |    |    |    |    |    |    |    |    |    |    |    |    |    |    |    |   |   |   |   |   |   |   |   |   |   |

### 5.4.3.12 EVENTS\_CTSTARTED

Address offset: 0x128

Calibration timer has been started and is ready to process new tasks

| Bit number | 31         | 30               | 29    | 28   | 27 | 26 | 25 | 24 | 23 | 22 | 21 | 20 | 19 | 18 | 17 | 16 | 15 | 14 | 13 | 12 | 11 | 10 | 9 | 8 | 7 | 6 | 5 | 4 | 3 | 2 | 1 | 0 |   |
|------------|------------|------------------|-------|--|----|----|----|----|----|----|----|----|----|----|----|----|----|----|----|----|----|----|---|---|---|---|---|---|---|---|---|---|---|
| ID         |            |                  |       |  |    |    |    |    |    |    |    |    |    |    |    |    |    |    |    |    |    |    |   |   |   |   |   |   |   |   |   | A |   |
| Reset      | 0x00000000 |                  |       |  |    |    |    |    |    |    |    |    |    |    |    |    |    |    |    |    |    |    |   |   |   |   |   |   |   |   |   |   |   |
| 0          | 0          | 0                | 0     | 0  | 0  | 0  | 0  | 0  | 0  | 0  | 0  | 0  | 0  | 0  | 0  | 0  | 0  | 0  | 0  | 0  | 0  | 0  | 0 | 0 | 0 | 0 | 0 | 0 | 0 | 0 | 0 | 0 | 0 |
| ID         | Acce Field | Value ID         | Value | Description  |    |    |    |    |    |    |    |    |    |    |    |    |    |    |    |    |    |    |   |   |   |   |   |   |   |   |   |   |   |
| A          | RW         | EVENTS_CTSTARTED |       | Calibration timer has been started and is ready to process new tasks |    |    |    |    |    |    |    |    |    |    |    |    |    |    |    |    |    |    |   |   |   |   |   |   |   |   |   |   |   |
|            |            | NotGenerated     | 0     | Event not generated  |    |    |    |    |    |    |    |    |    |    |    |    |    |    |    |    |    |    |   |   |   |   |   |   |   |   |   |   |   |
|            |            | Generated        | 1     | Event generated  |    |    |    |    |    |    |    |    |    |    |    |    |    |    |    |    |    |    |   |   |   |   |   |   |   |   |   |   |   |

### 5.4.3.13 EVENTS\_CTSTOPPED

Address offset: 0x12C

Calibration timer has been stopped and is ready to process new tasks

| Bit number | 31         | 30               | 29    | 28   | 27 | 26 | 25 | 24 | 23 | 22 | 21 | 20 | 19 | 18 | 17 | 16 | 15 | 14 | 13 | 12 | 11 | 10 | 9 | 8 | 7 | 6 | 5 | 4 | 3 | 2 | 1 | 0 |
|------------|------------|------------------|-------|--|----|----|----|----|----|----|----|----|----|----|----|----|----|----|----|----|----|----|---|---|---|---|---|---|---|---|---|---|
| ID         |            |                  |       |  |    |    |    |    |    |    |    |    |    |    |    |    |    |    |    |    |    |    |   |   |   |   |   |   |   |   |   | A |
| Reset      | 0x00000000 |                  |       |  |    |    |    |    |    |    |    |    |    |    |    |    |    |    |    |    |    |    |   |   |   |   |   |   |   |   |   |   |
| 0          | 0          | 0                | 0     | 0  | 0  | 0  | 0  | 0  | 0  | 0  | 0  | 0  | 0  | 0  | 0  | 0  | 0  | 0  | 0  | 0  | 0  | 0  | 0 | 0 | 0 | 0 | 0 | 0 | 0 | 0 | 0 | 0 |
| ID         | Acce Field | Value ID         | Value | Description  |    |    |    |    |    |    |    |    |    |    |    |    |    |    |    |    |    |    |   |   |   |   |   |   |   |   |   |   |
| A          | RW         | EVENTS_CTSTOPPED |       | Calibration timer has been stopped and is ready to process new tasks |    |    |    |    |    |    |    |    |    |    |    |    |    |    |    |    |    |    |   |   |   |   |   |   |   |   |   |   |
|            |            | NotGenerated     | 0     | Event not generated  |    |    |    |    |    |    |    |    |    |    |    |    |    |    |    |    |    |    |   |   |   |   |   |   |   |   |   |   |
|            |            | Generated        | 1     | Event generated  |    |    |    |    |    |    |    |    |    |    |    |    |    |    |    |    |    |    |   |   |   |   |   |   |   |   |   |   |

### 5.4.3.14 INTENSET

Address offset: 0x304

Enable interrupt

| Bit number | 31         | 30           | 29    | 28   | 27 | 26 | 25 | 24 | 23 | 22 | 21 | 20 | 19 | 18 | 17 | 16 | 15 | 14 | 13 | 12 | 11 | 10 | 9 | 8 | 7 | 6 | 5 | 4 | 3 | 2 | 1 | 0 |
|------------|------------|--------------|-------|--|----|----|----|----|----|----|----|----|----|----|----|----|----|----|----|----|----|----|---|---|---|---|---|---|---|---|---|---|
| ID         |            |              |       |  |    |    |    |    |    |    |    |    |    |    |    |    |    |    |    |    |    |    |   | F | E |   |   | D | C | B | A |   |
| Reset      | 0x00000000 |              |       |  |    |    |    |    |    |    |    |    |    |    |    |    |    |    |    |    |    |    |   |   |   |   |   |   |   |   |   |   |
| 0          | 0          | 0            | 0     | 0  | 0  | 0  | 0  | 0  | 0  | 0  | 0  | 0  | 0  | 0  | 0  | 0  | 0  | 0  | 0  | 0  | 0  | 0  | 0 | 0 | 0 | 0 | 0 | 0 | 0 | 0 | 0 | 0 |
| ID         | Acce Field | Value ID     | Value | Description  |    |    |    |    |    |    |    |    |    |    |    |    |    |    |    |    |    |    |   |   |   |   |   |   |   |   |   |   |
| A          | RW         | HFCLKSTARTED |       | Write '1' to enable interrupt for event <a href="#">HFCLKSTARTED</a> |    |    |    |    |    |    |    |    |    |    |    |    |    |    |    |    |    |    |   |   |   |   |   |   |   |   |   |   |
|            |            | Set          | 1     | Enable   |    |    |    |    |    |    |    |    |    |    |    |    |    |    |    |    |    |    |   |   |   |   |   |   |   |   |   |   |
|            |            | Disabled     | 0     | Read: Disabled   |    |    |    |    |    |    |    |    |    |    |    |    |    |    |    |    |    |    |   |   |   |   |   |   |   |   |   |   |
|            |            | Enabled      | 1     | Read: Enabled  |    |    |    |    |    |    |    |    |    |    |    |    |    |    |    |    |    |    |   |   |   |   |   |   |   |   |   |   |
| B          | RW         | LFCLKSTARTED |       | Write '1' to enable interrupt for event <a href="#">LFCLKSTARTED</a> |    |    |    |    |    |    |    |    |    |    |    |    |    |    |    |    |    |    |   |   |   |   |   |   |   |   |   |   |
|            |            | Set          | 1     | Enable   |    |    |    |    |    |    |    |    |    |    |    |    |    |    |    |    |    |    |   |   |   |   |   |   |   |   |   |   |
|            |            | Disabled     | 0     | Read: Disabled   |    |    |    |    |    |    |    |    |    |    |    |    |    |    |    |    |    |    |   |   |   |   |   |   |   |   |   |   |
|            |            | Enabled      | 1     | Read: Enabled  |    |    |    |    |    |    |    |    |    |    |    |    |    |    |    |    |    |    |   |   |   |   |   |   |   |   |   |   |
| C          | RW         | DONE         |       | Write '1' to enable interrupt for event <a href="#">DONE</a>         |    |    |    |    |    |    |    |    |    |    |    |    |    |    |    |    |    |    |   |   |   |   |   |   |   |   |   |   |
|            |            | Set          | 1     | Enable   |    |    |    |    |    |    |    |    |    |    |    |    |    |    |    |    |    |    |   |   |   |   |   |   |   |   |   |   |
|            |            | Disabled     | 0     | Read: Disabled   |    |    |    |    |    |    |    |    |    |    |    |    |    |    |    |    |    |    |   |   |   |   |   |   |   |   |   |   |
|            |            | Enabled      | 1     | Read: Enabled  |    |    |    |    |    |    |    |    |    |    |    |    |    |    |    |    |    |    |   |   |   |   |   |   |   |   |   |   |
| D          | RW         | CTTO         |       | Write '1' to enable interrupt for event <a href="#">CTTO</a>         |    |    |    |    |    |    |    |    |    |    |    |    |    |    |    |    |    |    |   |   |   |   |   |   |   |   |   |   |
|            |            | Set          | 1     | Enable   |    |    |    |    |    |    |    |    |    |    |    |    |    |    |    |    |    |    |   |   |   |   |   |   |   |   |   |   |
|            |            | Disabled     | 0     | Read: Disabled   |    |    |    |    |    |    |    |    |    |    |    |    |    |    |    |    |    |    |   |   |   |   |   |   |   |   |   |   |
|            |            | Enabled      | 1     | Read: Enabled  |    |    |    |    |    |    |    |    |    |    |    |    |    |    |    |    |    |    |   |   |   |   |   |   |   |   |   |   |
| E          | RW         | CTSTARTED    |       | Write '1' to enable interrupt for event <a href="#">CTSTARTED</a>    |    |    |    |    |    |    |    |    |    |    |    |    |    |    |    |    |    |    |   |   |   |   |   |   |   |   |   |   |
|            |            | Set          | 1     | Enable   |    |    |    |    |    |    |    |    |    |    |    |    |    |    |    |    |    |    |   |   |   |   |   |   |   |   |   |   |
|            |            | Disabled     | 0     | Read: Disabled   |    |    |    |    |    |    |    |    |    |    |    |    |    |    |    |    |    |    |   |   |   |   |   |   |   |   |   |   |
|            |            | Enabled      | 1     | Read: Enabled  |    |    |    |    |    |    |    |    |    |    |    |    |    |    |    |    |    |    |   |   |   |   |   |   |   |   |   |   |
| F          | RW         | CTSTOPPED    |       | Write '1' to enable interrupt for event <a href="#">CTSTOPPED</a>    |    |    |    |    |    |    |    |    |    |    |    |    |    |    |    |    |    |    |   |   |   |   |   |   |   |   |   |   |

| Bit number | 31         | 30       | 29    | 28             | 27 | 26 | 25 | 24 | 23 | 22 | 21 | 20 | 19 | 18 | 17 | 16 | 15 | 14 | 13 | 12 | 11 | 10 | 9 | 8 | 7 | 6 | 5 | 4 | 3 | 2 | 1 | 0 |  |  |  |  |   |   |   |   |
|------------|------------|----------|-------|----------------|----|----|----|----|----|----|----|----|----|----|----|----|----|----|----|----|----|----|---|---|---|---|---|---|---|---|---|---|--|--|--|--|---|---|---|---|
| ID         |            |          |       |                |    |    |    |    |    |    |    |    |    |    |    |    |    |    |    |    |    |    | F | E |   |   |   |   |   |   |   |   |  |  |  |  | D | C | B | A |
| Reset      | 0x00000000 |          |       |                |    |    |    |    |    |    |    |    |    |    |    |    |    |    |    |    |    |    |   |   |   |   |   |   |   |   |   |   |  |  |  |  |   |   |   |   |
| ID         | Acce Field | Value ID | Value | Description    |    |    |    |    |    |    |    |    |    |    |    |    |    |    |    |    |    |    |   |   |   |   |   |   |   |   |   |   |  |  |  |  |   |   |   |   |
|            |            | Set      | 1     | Enable         |    |    |    |    |    |    |    |    |    |    |    |    |    |    |    |    |    |    |   |   |   |   |   |   |   |   |   |   |  |  |  |  |   |   |   |   |
|            |            | Disabled | 0     | Read: Disabled |    |    |    |    |    |    |    |    |    |    |    |    |    |    |    |    |    |    |   |   |   |   |   |   |   |   |   |   |  |  |  |  |   |   |   |   |
|            |            | Enabled  | 1     | Read: Enabled  |    |    |    |    |    |    |    |    |    |    |    |    |    |    |    |    |    |    |   |   |   |   |   |   |   |   |   |   |  |  |  |  |   |   |   |   |

### 5.4.3.15 INTENCLR

Address offset: 0x308

Disable interrupt

| Bit number | 31              | 30       | 29    | 28  | 27 | 26 | 25 | 24 | 23 | 22 | 21 | 20 | 19 | 18 | 17 | 16 | 15 | 14 | 13 | 12 | 11 | 10 | 9 | 8 | 7 | 6 | 5 | 4 | 3 | 2 | 1 | 0 |  |  |  |  |   |   |   |   |
|------------|-----------------|----------|-------|---|----|----|----|----|----|----|----|----|----|----|----|----|----|----|----|----|----|----|---|---|---|---|---|---|---|---|---|---|--|--|--|--|---|---|---|---|
| ID         |                 |          |       |   |    |    |    |    |    |    |    |    |    |    |    |    |    |    |    |    |    |    | F | E |   |   |   |   |   |   |   |   |  |  |  |  | D | C | B | A |
| Reset      | 0x00000000      |          |       |   |    |    |    |    |    |    |    |    |    |    |    |    |    |    |    |    |    |    |   |   |   |   |   |   |   |   |   |   |  |  |  |  |   |   |   |   |
| ID         | Acce Field      | Value ID | Value | Description   |    |    |    |    |    |    |    |    |    |    |    |    |    |    |    |    |    |    |   |   |   |   |   |   |   |   |   |   |  |  |  |  |   |   |   |   |
| A          | RW HFCLKSTARTED |          |       | Write '1' to disable interrupt for event <a href="#">HFCLKSTARTED</a> |    |    |    |    |    |    |    |    |    |    |    |    |    |    |    |    |    |    |   |   |   |   |   |   |   |   |   |   |  |  |  |  |   |   |   |   |
|            |                 | Clear    | 1     | Disable   |    |    |    |    |    |    |    |    |    |    |    |    |    |    |    |    |    |    |   |   |   |   |   |   |   |   |   |   |  |  |  |  |   |   |   |   |
|            |                 | Disabled | 0     | Read: Disabled  |    |    |    |    |    |    |    |    |    |    |    |    |    |    |    |    |    |    |   |   |   |   |   |   |   |   |   |   |  |  |  |  |   |   |   |   |
|            |                 | Enabled  | 1     | Read: Enabled   |    |    |    |    |    |    |    |    |    |    |    |    |    |    |    |    |    |    |   |   |   |   |   |   |   |   |   |   |  |  |  |  |   |   |   |   |
| B          | RW LFCLKSTARTED |          |       | Write '1' to disable interrupt for event <a href="#">LFCLKSTARTED</a> |    |    |    |    |    |    |    |    |    |    |    |    |    |    |    |    |    |    |   |   |   |   |   |   |   |   |   |   |  |  |  |  |   |   |   |   |
|            |                 | Clear    | 1     | Disable   |    |    |    |    |    |    |    |    |    |    |    |    |    |    |    |    |    |    |   |   |   |   |   |   |   |   |   |   |  |  |  |  |   |   |   |   |
|            |                 | Disabled | 0     | Read: Disabled  |    |    |    |    |    |    |    |    |    |    |    |    |    |    |    |    |    |    |   |   |   |   |   |   |   |   |   |   |  |  |  |  |   |   |   |   |
|            |                 | Enabled  | 1     | Read: Enabled   |    |    |    |    |    |    |    |    |    |    |    |    |    |    |    |    |    |    |   |   |   |   |   |   |   |   |   |   |  |  |  |  |   |   |   |   |
| C          | RW DONE         |          |       | Write '1' to disable interrupt for event <a href="#">DONE</a>         |    |    |    |    |    |    |    |    |    |    |    |    |    |    |    |    |    |    |   |   |   |   |   |   |   |   |   |   |  |  |  |  |   |   |   |   |
|            |                 | Clear    | 1     | Disable   |    |    |    |    |    |    |    |    |    |    |    |    |    |    |    |    |    |    |   |   |   |   |   |   |   |   |   |   |  |  |  |  |   |   |   |   |
|            |                 | Disabled | 0     | Read: Disabled  |    |    |    |    |    |    |    |    |    |    |    |    |    |    |    |    |    |    |   |   |   |   |   |   |   |   |   |   |  |  |  |  |   |   |   |   |
|            |                 | Enabled  | 1     | Read: Enabled   |    |    |    |    |    |    |    |    |    |    |    |    |    |    |    |    |    |    |   |   |   |   |   |   |   |   |   |   |  |  |  |  |   |   |   |   |
| D          | RW CTTO         |          |       | Write '1' to disable interrupt for event <a href="#">CTTO</a>         |    |    |    |    |    |    |    |    |    |    |    |    |    |    |    |    |    |    |   |   |   |   |   |   |   |   |   |   |  |  |  |  |   |   |   |   |
|            |                 | Clear    | 1     | Disable   |    |    |    |    |    |    |    |    |    |    |    |    |    |    |    |    |    |    |   |   |   |   |   |   |   |   |   |   |  |  |  |  |   |   |   |   |
|            |                 | Disabled | 0     | Read: Disabled  |    |    |    |    |    |    |    |    |    |    |    |    |    |    |    |    |    |    |   |   |   |   |   |   |   |   |   |   |  |  |  |  |   |   |   |   |
|            |                 | Enabled  | 1     | Read: Enabled   |    |    |    |    |    |    |    |    |    |    |    |    |    |    |    |    |    |    |   |   |   |   |   |   |   |   |   |   |  |  |  |  |   |   |   |   |
| E          | RW CTSTARTED    |          |       | Write '1' to disable interrupt for event <a href="#">CTSTARTED</a>    |    |    |    |    |    |    |    |    |    |    |    |    |    |    |    |    |    |    |   |   |   |   |   |   |   |   |   |   |  |  |  |  |   |   |   |   |
|            |                 | Clear    | 1     | Disable   |    |    |    |    |    |    |    |    |    |    |    |    |    |    |    |    |    |    |   |   |   |   |   |   |   |   |   |   |  |  |  |  |   |   |   |   |
|            |                 | Disabled | 0     | Read: Disabled  |    |    |    |    |    |    |    |    |    |    |    |    |    |    |    |    |    |    |   |   |   |   |   |   |   |   |   |   |  |  |  |  |   |   |   |   |
|            |                 | Enabled  | 1     | Read: Enabled   |    |    |    |    |    |    |    |    |    |    |    |    |    |    |    |    |    |    |   |   |   |   |   |   |   |   |   |   |  |  |  |  |   |   |   |   |
| F          | RW CTSTOPPED    |          |       | Write '1' to disable interrupt for event <a href="#">CTSTOPPED</a>    |    |    |    |    |    |    |    |    |    |    |    |    |    |    |    |    |    |    |   |   |   |   |   |   |   |   |   |   |  |  |  |  |   |   |   |   |
|            |                 | Clear    | 1     | Disable   |    |    |    |    |    |    |    |    |    |    |    |    |    |    |    |    |    |    |   |   |   |   |   |   |   |   |   |   |  |  |  |  |   |   |   |   |
|            |                 | Disabled | 0     | Read: Disabled  |    |    |    |    |    |    |    |    |    |    |    |    |    |    |    |    |    |    |   |   |   |   |   |   |   |   |   |   |  |  |  |  |   |   |   |   |
|            |                 | Enabled  | 1     | Read: Enabled   |    |    |    |    |    |    |    |    |    |    |    |    |    |    |    |    |    |    |   |   |   |   |   |   |   |   |   |   |  |  |  |  |   |   |   |   |

### 5.4.3.16 HFCLKRUN

Address offset: 0x408

Status indicating that HFCLKSTART task has been triggered

| Bit number | 31         | 30     | 29           | 28    | 27                               | 26 | 25 | 24 | 23 | 22 | 21 | 20 | 19 | 18 | 17 | 16 | 15 | 14 | 13 | 12 | 11 | 10 | 9 | 8 | 7 | 6 | 5 | 4 | 3 | 2 | 1 | 0 |   |
|------------|------------|--------|--------------|-------|----------------------------------|----|----|----|----|----|----|----|----|----|----|----|----|----|----|----|----|----|---|---|---|---|---|---|---|---|---|---|---|
| ID         |            |        |              |       |                                  |    |    |    |    |    |    |    |    |    |    |    |    |    |    |    |    |    |   |   |   |   |   |   |   |   |   | A |   |
| Reset      | 0x00000000 |        |              |       |                                  |    |    |    |    |    |    |    |    |    |    |    |    |    |    |    |    |    |   |   |   |   |   |   |   |   |   |   |   |
| Reset      | 0          | 0      | 0            | 0     | 0                                | 0  | 0  | 0  | 0  | 0  | 0  | 0  | 0  | 0  | 0  | 0  | 0  | 0  | 0  | 0  | 0  | 0  | 0 | 0 | 0 | 0 | 0 | 0 | 0 | 0 | 0 | 0 | 0 |
| ID         | Acce       | Field  | Value ID     | Value | Description                      |    |    |    |    |    |    |    |    |    |    |    |    |    |    |    |    |    |   |   |   |   |   |   |   |   |   |   |   |
| A          | R          | STATUS |              |       | HFCLKSTART task triggered or not |    |    |    |    |    |    |    |    |    |    |    |    |    |    |    |    |    |   |   |   |   |   |   |   |   |   |   |   |
|            |            |        | NotTriggered | 0     | Task not triggered               |    |    |    |    |    |    |    |    |    |    |    |    |    |    |    |    |    |   |   |   |   |   |   |   |   |   |   |   |
|            |            |        | Triggered    | 1     | Task triggered                   |    |    |    |    |    |    |    |    |    |    |    |    |    |    |    |    |    |   |   |   |   |   |   |   |   |   |   |   |

### 5.4.3.17 HFCLKSTAT

Address offset: 0x40C

HFCLK status

| Bit number | 31         | 30    | 29         | 28    | 27                                 | 26 | 25 | 24 | 23 | 22 | 21 | 20 | 19 | 18 | 17 | 16 | 15 | 14 | 13 | 12 | 11 | 10 | 9 | 8 | 7 | 6 | 5 | 4 | 3 | 2 | 1 | 0 |
|------------|------------|-------|------------|-------|------------------------------------|----|----|----|----|----|----|----|----|----|----|----|----|----|----|----|----|----|---|---|---|---|---|---|---|---|---|---|
| ID         |            |       |            |       |                                    |    |    |    |    |    |    |    |    |    |    |    |    |    |    |    |    |    |   |   |   |   |   |   |   | B | A |   |
| Reset      | 0x00000000 |       |            |       |                                    |    |    |    |    |    |    |    |    |    |    |    |    |    |    |    |    |    |   |   |   |   |   |   |   |   |   |   |
| Reset      | 0          | 0     | 0          | 0     | 0                                  | 0  | 0  | 0  | 0  | 0  | 0  | 0  | 0  | 0  | 0  | 0  | 0  | 0  | 0  | 0  | 0  | 0  | 0 | 0 | 0 | 0 | 0 | 0 | 0 | 0 | 0 | 0 |
| ID         | Acce       | Field | Value ID   | Value | Description                        |    |    |    |    |    |    |    |    |    |    |    |    |    |    |    |    |    |   |   |   |   |   |   |   |   |   |   |
| A          | R          | SRC   |            |       | Source of HFCLK                    |    |    |    |    |    |    |    |    |    |    |    |    |    |    |    |    |    |   |   |   |   |   |   |   |   |   |   |
|            |            |       | RC         | 0     | 64 MHz internal oscillator (HFINT) |    |    |    |    |    |    |    |    |    |    |    |    |    |    |    |    |    |   |   |   |   |   |   |   |   |   |   |
|            |            |       | Xtal       | 1     | 64 MHz crystal oscillator (HF XO)  |    |    |    |    |    |    |    |    |    |    |    |    |    |    |    |    |    |   |   |   |   |   |   |   |   |   |   |
| B          | R          | STATE |            |       | HFCLK state                        |    |    |    |    |    |    |    |    |    |    |    |    |    |    |    |    |    |   |   |   |   |   |   |   |   |   |   |
|            |            |       | NotRunning | 0     | HFCLK not running                  |    |    |    |    |    |    |    |    |    |    |    |    |    |    |    |    |    |   |   |   |   |   |   |   |   |   |   |
|            |            |       | Running    | 1     | HFCLK running                      |    |    |    |    |    |    |    |    |    |    |    |    |    |    |    |    |    |   |   |   |   |   |   |   |   |   |   |

### 5.4.3.18 LFCLKRUN

Address offset: 0x414

Status indicating that LFCLKSTART task has been triggered

| Bit number | 31         | 30     | 29           | 28    | 27                               | 26 | 25 | 24 | 23 | 22 | 21 | 20 | 19 | 18 | 17 | 16 | 15 | 14 | 13 | 12 | 11 | 10 | 9 | 8 | 7 | 6 | 5 | 4 | 3 | 2 | 1 | 0 |
|------------|------------|--------|--------------|-------|----------------------------------|----|----|----|----|----|----|----|----|----|----|----|----|----|----|----|----|----|---|---|---|---|---|---|---|---|---|---|
| ID         |            |        |              |       |                                  |    |    |    |    |    |    |    |    |    |    |    |    |    |    |    |    |    |   |   |   |   |   |   |   |   |   | A |
| Reset      | 0x00000000 |        |              |       |                                  |    |    |    |    |    |    |    |    |    |    |    |    |    |    |    |    |    |   |   |   |   |   |   |   |   |   |   |
| Reset      | 0          | 0      | 0            | 0     | 0                                | 0  | 0  | 0  | 0  | 0  | 0  | 0  | 0  | 0  | 0  | 0  | 0  | 0  | 0  | 0  | 0  | 0  | 0 | 0 | 0 | 0 | 0 | 0 | 0 | 0 | 0 | 0 |
| ID         | Acce       | Field  | Value ID     | Value | Description                      |    |    |    |    |    |    |    |    |    |    |    |    |    |    |    |    |    |   |   |   |   |   |   |   |   |   |   |
| A          | R          | STATUS |              |       | LFCLKSTART task triggered or not |    |    |    |    |    |    |    |    |    |    |    |    |    |    |    |    |    |   |   |   |   |   |   |   |   |   |   |
|            |            |        | NotTriggered | 0     | Task not triggered               |    |    |    |    |    |    |    |    |    |    |    |    |    |    |    |    |    |   |   |   |   |   |   |   |   |   |   |
|            |            |        | Triggered    | 1     | Task triggered                   |    |    |    |    |    |    |    |    |    |    |    |    |    |    |    |    |    |   |   |   |   |   |   |   |   |   |   |

### 5.4.3.19 LFCLKSTAT

Address offset: 0x418

LFCLK status

| Bit number       | 31  | 30    | 29         | 28    | 27   | 26 | 25 | 24 | 23 | 22 | 21 | 20 | 19 | 18 | 17 | 16 | 15 | 14 | 13 | 12 | 11 | 10 | 9 | 8 | 7 | 6 | 5 | 4 | 3 | 2 | 1 | 0 |
|------------------|---|-------|------------|-------|--|----|----|----|----|----|----|----|----|----|----|----|----|----|----|----|----|----|---|---|---|---|---|---|---|---|---|---|
| ID               | B   |       |            |       |  |    |    |    |    |    |    |    |    |    |    |    |    |    |    |    |    |    |   |   |   |   | A | A |   |   |   |   |
| Reset 0x00000000 | 0 |       |            |       |  |    |    |    |    |    |    |    |    |    |    |    |    |    |    |    |    |    |   |   |   |   |   |   |   |   |   |   |
| ID               | Acce  | Field | Value ID   | Value | Description                                |    |    |    |    |    |    |    |    |    |    |    |    |    |    |    |    |    |   |   |   |   |   |   |   |   |   |   |
| A                | R   | SRC   |            |       | Source of LFCLK                            |    |    |    |    |    |    |    |    |    |    |    |    |    |    |    |    |    |   |   |   |   |   |   |   |   |   |   |
|                  |   |       | RC         | 0     | 32.768 kHz RC oscillator (LFRC)            |    |    |    |    |    |    |    |    |    |    |    |    |    |    |    |    |    |   |   |   |   |   |   |   |   |   |   |
|                  |   |       | Xtal       | 1     | 32.768 kHz crystal oscillator (LFXO)       |    |    |    |    |    |    |    |    |    |    |    |    |    |    |    |    |    |   |   |   |   |   |   |   |   |   |   |
|                  |   |       | Synth      | 2     | 32.768 kHz synthesized from HFCLK (LFSYNT) |    |    |    |    |    |    |    |    |    |    |    |    |    |    |    |    |    |   |   |   |   |   |   |   |   |   |   |
| B                | R   | STATE |            |       | LFCLK state                                |    |    |    |    |    |    |    |    |    |    |    |    |    |    |    |    |    |   |   |   |   |   |   |   |   |   |   |
|                  |   |       | NotRunning | 0     | LFCLK not running                          |    |    |    |    |    |    |    |    |    |    |    |    |    |    |    |    |    |   |   |   |   |   |   |   |   |   |   |
|                  |   |       | Running    | 1     | LFCLK running                              |    |    |    |    |    |    |    |    |    |    |    |    |    |    |    |    |    |   |   |   |   |   |   |   |   |   |   |

### 5.4.3.20 LFCLKSRCCOPY

Address offset: 0x41C

Copy of LFCLKSRC register, set when LFCLKSTART task was triggered

| Bit number       | 31  | 30    | 29       | 28    | 27   | 26 | 25 | 24 | 23 | 22 | 21 | 20 | 19 | 18 | 17 | 16 | 15 | 14 | 13 | 12 | 11 | 10 | 9 | 8 | 7 | 6 | 5 | 4 | 3 | 2 | 1 | 0 |
|------------------|---|-------|----------|-------|--|----|----|----|----|----|----|----|----|----|----|----|----|----|----|----|----|----|---|---|---|---|---|---|---|---|---|---|
| ID               |   |       |          |       |  |    |    |    |    |    |    |    |    |    |    |    |    |    |    |    |    |    |   |   |   |   | A | A |   |   |   |   |
| Reset 0x00000000 | 0 |       |          |       |  |    |    |    |    |    |    |    |    |    |    |    |    |    |    |    |    |    |   |   |   |   |   |   |   |   |   |   |
| ID               | Acce  | Field | Value ID | Value | Description                                |    |    |    |    |    |    |    |    |    |    |    |    |    |    |    |    |    |   |   |   |   |   |   |   |   |   |   |
| A                | R   | SRC   |          |       | Clock source                               |    |    |    |    |    |    |    |    |    |    |    |    |    |    |    |    |    |   |   |   |   |   |   |   |   |   |   |
|                  |   |       | RC       | 0     | 32.768 kHz RC oscillator (LFRC)            |    |    |    |    |    |    |    |    |    |    |    |    |    |    |    |    |    |   |   |   |   |   |   |   |   |   |   |
|                  |   |       | Xtal     | 1     | 32.768 kHz crystal oscillator (LFXO)       |    |    |    |    |    |    |    |    |    |    |    |    |    |    |    |    |    |   |   |   |   |   |   |   |   |   |   |
|                  |   |       | Synth    | 2     | 32.768 kHz synthesized from HFCLK (LFSYNT) |    |    |    |    |    |    |    |    |    |    |    |    |    |    |    |    |    |   |   |   |   |   |   |   |   |   |   |

### 5.4.3.21 LFCLKSRC

Address offset: 0x518

Clock source for the LFCLK

| Bit number       | 31  | 30       | 29       | 28    | 27  | 26 | 25 | 24 | 23 | 22 | 21 | 20 | 19 | 18 | 17 | 16 | 15 | 14 | 13 | 12 | 11 | 10 | 9 | 8 | 7 | 6 | 5 | 4 | 3 | 2 | 1 | 0 |
|------------------|---|----------|----------|-------|---|----|----|----|----|----|----|----|----|----|----|----|----|----|----|----|----|----|---|---|---|---|---|---|---|---|---|---|
| ID               | C B   |          |          |       |   |    |    |    |    |    |    |    |    |    |    |    |    |    |    |    |    |    |   |   |   |   | A | A |   |   |   |   |
| Reset 0x00000000 | 0 |          |          |       |   |    |    |    |    |    |    |    |    |    |    |    |    |    |    |    |    |    |   |   |   |   |   |   |   |   |   |   |
| ID               | Acce  | Field    | Value ID | Value | Description   |    |    |    |    |    |    |    |    |    |    |    |    |    |    |    |    |    |   |   |   |   |   |   |   |   |   |   |
| A                | RW  | SRC      |          |       | Clock source  |    |    |    |    |    |    |    |    |    |    |    |    |    |    |    |    |    |   |   |   |   |   |   |   |   |   |   |
|                  |   |          | RC       | 0     | 32.768 kHz RC oscillator (LFRC)   |    |    |    |    |    |    |    |    |    |    |    |    |    |    |    |    |    |   |   |   |   |   |   |   |   |   |   |
|                  |   |          | Xtal     | 1     | 32.768 kHz crystal oscillator (LFXO)  |    |    |    |    |    |    |    |    |    |    |    |    |    |    |    |    |    |   |   |   |   |   |   |   |   |   |   |
|                  |   |          | Synth    | 2     | 32.768 kHz synthesized from HFCLK (LFSYNT)                                      |    |    |    |    |    |    |    |    |    |    |    |    |    |    |    |    |    |   |   |   |   |   |   |   |   |   |   |
| B                | RW  | BYPASS   |          |       | Enable or disable bypass of LFCLK crystal oscillator with external clock source |    |    |    |    |    |    |    |    |    |    |    |    |    |    |    |    |    |   |   |   |   |   |   |   |   |   |   |
|                  |   |          | Disabled | 0     | Disable (use with Xtal or low-swing external source)                            |    |    |    |    |    |    |    |    |    |    |    |    |    |    |    |    |    |   |   |   |   |   |   |   |   |   |   |
|                  |   |          | Enabled  | 1     | Enable (use with rail-to-rail external source)                                  |    |    |    |    |    |    |    |    |    |    |    |    |    |    |    |    |    |   |   |   |   |   |   |   |   |   |   |
| C                | RW  | EXTERNAL |          |       | Enable or disable external source for LFCLK                                     |    |    |    |    |    |    |    |    |    |    |    |    |    |    |    |    |    |   |   |   |   |   |   |   |   |   |   |
|                  |   |          | Disabled | 0     | Disable external source (use with Xtal)   |    |    |    |    |    |    |    |    |    |    |    |    |    |    |    |    |    |   |   |   |   |   |   |   |   |   |   |
|                  |   |          | Enabled  | 1     | Enable use of external source instead of Xtal (SRC needs to be set to Xtal)     |    |    |    |    |    |    |    |    |    |    |    |    |    |    |    |    |    |   |   |   |   |   |   |   |   |   |   |

### 5.4.3.22 HFXODEBOUNCE

Address offset: 0x528

HFXO debounce time. The HFXO is started by triggering the TASKS\_HFCLKSTART task.

The EVENTS\_HFCLKSTARTED event is generated after the HFXO power up time + the HFXO debounce time has elapsed. It is not allowed to change the value of this register while the HFXO is starting.

| Bit number       | 31 30 29 28 27 26 25 24 23 22 21 20 19 18 17 16 15 14 13 12 11 10 9 8 7 6 5 4 3 2 1 0 |          |            |  |  |  |  |  |  |  |  |  |  |  |  |  |  |  |  |  |  |  |  |  |  |  |  |  |  |  |  |  |
|------------------|---|----------|------------|--|--|--|--|--|--|--|--|--|--|--|--|--|--|--|--|--|--|--|--|--|--|--|--|--|--|--|--|--|
| ID               | A A A A A A A A   |          |            |  |  |  |  |  |  |  |  |  |  |  |  |  |  |  |  |  |  |  |  |  |  |  |  |  |  |  |  |  |
| Reset 0x00000010 | 0   |          |            |  |  |  |  |  |  |  |  |  |  |  |  |  |  |  |  |  |  |  |  |  |  |  |  |  |  |  |  |  |
| ID               | Acces Field   | Value ID | Value      | Description  |  |  |  |  |  |  |  |  |  |  |  |  |  |  |  |  |  |  |  |  |  |  |  |  |  |  |  |  |
| A                | RW HFXODEBOUNCE   |          | 0x01..0xFF | HFXO debounce time. Debounce time = HFXODEBOUNCE * 16 $\mu$ s.                   |  |  |  |  |  |  |  |  |  |  |  |  |  |  |  |  |  |  |  |  |  |  |  |  |  |  |  |  |
|                  |   | Db256us  | 0x10       | 256 $\mu$ s debounce time. Recommended for TSX-3225, FA-20H and FA-128 crystals. |  |  |  |  |  |  |  |  |  |  |  |  |  |  |  |  |  |  |  |  |  |  |  |  |  |  |  |  |
|                  |   | Db1024us | 0x40       | 1024 $\mu$ s debounce time. Recommended for NX1612AA and NX1210AB crystals.      |  |  |  |  |  |  |  |  |  |  |  |  |  |  |  |  |  |  |  |  |  |  |  |  |  |  |  |  |

### 5.4.3.23 CTIV ( Retained )

Address offset: 0x538

This register is a retained register

Calibration timer interval

| Bit number       | 31 30 29 28 27 26 25 24 23 22 21 20 19 18 17 16 15 14 13 12 11 10 9 8 7 6 5 4 3 2 1 0 |          |       |  |  |  |  |  |  |  |  |  |  |  |  |  |  |  |  |  |  |  |  |  |  |  |  |  |  |  |  |  |
|------------------|---|----------|-------|--|--|--|--|--|--|--|--|--|--|--|--|--|--|--|--|--|--|--|--|--|--|--|--|--|--|--|--|--|
| ID               | A A A A A A A A   |          |       |  |  |  |  |  |  |  |  |  |  |  |  |  |  |  |  |  |  |  |  |  |  |  |  |  |  |  |  |  |
| Reset 0x00000000 | 0   |          |       |  |  |  |  |  |  |  |  |  |  |  |  |  |  |  |  |  |  |  |  |  |  |  |  |  |  |  |  |  |
| ID               | Acces Field   | Value ID | Value | Description  |  |  |  |  |  |  |  |  |  |  |  |  |  |  |  |  |  |  |  |  |  |  |  |  |  |  |  |  |
| A                | RW CTIV   |          |       | Calibration timer interval in multiple of 0.25 seconds.<br>Range: 0.25 seconds to 31.75 seconds. |  |  |  |  |  |  |  |  |  |  |  |  |  |  |  |  |  |  |  |  |  |  |  |  |  |  |  |  |

### 5.4.3.24 TRACECONFIG

Address offset: 0x55C

Clocking options for the trace port debug interface

This register is a retained register. Reset behavior is the same as debug components.

| Bit number       | 31 30 29 28 27 26 25 24 23 22 21 20 19 18 17 16 15 14 13 12 11 10 9 8 7 6 5 4 3 2 1 0 |          |   |  |  |  |  |  |  |  |  |  |  |  |  |  |     |  |  |  |  |  |  |  |  |  |  |  |  |  |  |  |
|------------------|---|----------|---|--|--|--|--|--|--|--|--|--|--|--|--|--|-----|--|--|--|--|--|--|--|--|--|--|--|--|--|--|--|
| ID               | B B   |          |   |  |  |  |  |  |  |  |  |  |  |  |  |  | A A |  |  |  |  |  |  |  |  |  |  |  |  |  |  |  |
| Reset 0x00000000 | 0   |          |   |  |  |  |  |  |  |  |  |  |  |  |  |  |     |  |  |  |  |  |  |  |  |  |  |  |  |  |  |  |
| ID               | Acces Field   | Value ID | Value   | Description  |  |  |  |  |  |  |  |  |  |  |  |  |     |  |  |  |  |  |  |  |  |  |  |  |  |  |  |  |
| A                | RW TRACEPORTSPEED   |          |   | Speed of trace port clock. Note that the TRACECLK pin will output this clock divided by two.   |  |  |  |  |  |  |  |  |  |  |  |  |     |  |  |  |  |  |  |  |  |  |  |  |  |  |  |  |
|                  |   | 32MHz    | 0   | 32 MHz trace port clock (TRACECLK = 16 MHz)  |  |  |  |  |  |  |  |  |  |  |  |  |     |  |  |  |  |  |  |  |  |  |  |  |  |  |  |  |
|                  |   | 16MHz    | 1   | 16 MHz trace port clock (TRACECLK = 8 MHz)   |  |  |  |  |  |  |  |  |  |  |  |  |     |  |  |  |  |  |  |  |  |  |  |  |  |  |  |  |
|                  |   | 8MHz     | 2   | 8 MHz trace port clock (TRACECLK = 4 MHz)  |  |  |  |  |  |  |  |  |  |  |  |  |     |  |  |  |  |  |  |  |  |  |  |  |  |  |  |  |
| B                | RW TRACEMUX   |          |   | 4 MHz trace port clock (TRACECLK = 2 MHz)  |  |  |  |  |  |  |  |  |  |  |  |  |     |  |  |  |  |  |  |  |  |  |  |  |  |  |  |  |
|                  |   | GPIO     | 0   | Pin multiplexing of trace signals. See pin assignment chapter for more details.<br>No trace signals routed to pins. All pins can be used as regular GPIOs. |  |  |  |  |  |  |  |  |  |  |  |  |     |  |  |  |  |  |  |  |  |  |  |  |  |  |  |  |
|                  |   | Serial   | 1   | SWO trace signal routed to pin. Remaining pins can be used as regular GPIOs.   |  |  |  |  |  |  |  |  |  |  |  |  |     |  |  |  |  |  |  |  |  |  |  |  |  |  |  |  |
|                  | Parallel  | 2        | All trace signals (TRACECLK and TRACEDATA[n]) routed to pins. |  |  |  |  |  |  |  |  |  |  |  |  |  |     |  |  |  |  |  |  |  |  |  |  |  |  |  |  |  |

### 5.4.3.25 LFRCMODE

Address offset: 0x5B4

LFRC mode configuration

| Bit number       | 31  | 30     | 29       | 28    | 27  | 26 | 25 | 24 | 23 | 22 | 21 | 20 | 19 | 18 | 17 | 16 | 15 | 14 | 13 | 12 | 11 | 10 | 9 | 8 | 7 | 6 | 5 | 4 | 3 | 2 | 1 | 0 |
|------------------|---|--------|----------|-------|---|----|----|----|----|----|----|----|----|----|----|----|----|----|----|----|----|----|---|---|---|---|---|---|---|---|---|---|
| ID               | B   |        |          |       |   |    |    |    |    |    |    |    |    |    |    |    | A  |    |    |    |    |    |   |   |   |   |   |   |   |   |   |   |
| Reset 0x00000000 | 0 |        |          |       |   |    |    |    |    |    |    |    |    |    |    |    |    |    |    |    |    |    |   |   |   |   |   |   |   |   |   |   |
| ID               | Acces   | Field  | Value ID | Value | Description   |    |    |    |    |    |    |    |    |    |    |    |    |    |    |    |    |    |   |   |   |   |   |   |   |   |   |   |
| A                | RW  | MODE   | Normal   | 0     | Set LFRC mode<br>Normal mode                              |    |    |    |    |    |    |    |    |    |    |    |    |    |    |    |    |    |   |   |   |   |   |   |   |   |   |   |
|                  |   |        | ULP      | 1     | Ultra-low power mode (ULP)                                |    |    |    |    |    |    |    |    |    |    |    |    |    |    |    |    |    |   |   |   |   |   |   |   |   |   |   |
| B                | RW  | STATUS | Normal   | 0     | Active LFRC mode. This field is read only.<br>Normal mode |    |    |    |    |    |    |    |    |    |    |    |    |    |    |    |    |    |   |   |   |   |   |   |   |   |   |   |
|                  |   |        | ULP      | 1     | Ultra-low power mode (ULP)                                |    |    |    |    |    |    |    |    |    |    |    |    |    |    |    |    |    |   |   |   |   |   |   |   |   |   |   |

## 5.4.4 Electrical specification

### 5.4.4.1 64 MHz internal oscillator (HFINT)

| Symbol                 | Description              | Min. | Typ. | Max. | Units |
|------------------------|--------------------------|------|------|------|-------|
| f <sub>NOM_HFINT</sub> | Nominal output frequency |      | 64   |      | MHz   |
| f <sub>TOL_HFINT</sub> | Frequency tolerance      |      | ±1.5 | ±8   | %     |

### 5.4.4.2 64 MHz crystal oscillator (HFXO)

| Symbol                       | Description   | Min. | Typ. | Max. | Units |
|------------------------------|---|------|------|------|-------|
| f <sub>NOM_HFXO</sub>        | Nominal output frequency  |      | 64   |      | MHz   |
| f <sub>XTAL_HFXO</sub>       | External crystal frequency  |      | 32   |      | MHz   |
| f <sub>TOL_HFXO</sub>        | Frequency tolerance requirement for 2.4 GHz proprietary radio applications                    |      |      | ±60  | ppm   |
| f <sub>TOL_HFXO_BLE</sub>    | Frequency tolerance requirement, Bluetooth low energy applications, packet length ≤ 200 bytes |      |      | ±40  | ppm   |
| f <sub>TOL_HFXO_BLE_LP</sub> | Frequency tolerance requirement, Bluetooth low energy applications, packet length > 200 bytes |      |      | ±30  | ppm   |
| C <sub>L_HFXO</sub>          | Load capacitance  |      |      | 12   | pF    |
| C <sub>0_HFXO</sub>          | Shunt capacitance   |      |      | 7    | pF    |
| R <sub>S_HFXO_7PF</sub>      | Equivalent series resistance 3 pF < C <sub>0</sub> ≤ 7 pF                                     |      |      | 60   | Ω     |
| R <sub>S_HFXO_3PF</sub>      | Equivalent series resistance C <sub>0</sub> ≤ 3 pF  |      |      | 100  | Ω     |
| P <sub>D_HFXO</sub>          | Drive level   |      |      | 100  | μW    |
| C <sub>PIN_HFXO</sub>        | Input capacitance XC1 and XC2   |      | 3    |      | pF    |
| I <sub>STBY_X32M</sub>       | Core standby current for various crystals   |      |      |      |       |
| I <sub>STBY_X32M_X0</sub>    | Epson TSX-3225  |      | 80   |      | μA    |
| I <sub>STBY_X32M_X1</sub>    | Epson FA-20H  |      | 72   |      | μA    |
| I <sub>STBY_X32M_X2</sub>    | Epson FA-128  |      | 70   |      | μA    |
| I <sub>STBY_X32M_X3</sub>    | NDK NX1612AA  |      | 136  |      | μA    |
| I <sub>STBY_X32M_X4</sub>    | NDK NX1210AB  |      | 143  |      | μA    |
| I <sub>START_X32M</sub>      | Average startup current for various crystals, first 1 ms                                      |      |      |      |       |
| I <sub>START_X32M_X0</sub>   | Epson TSX-3225  |      | 328  |      | μA    |
| I <sub>START_X32M_X1</sub>   | Epson FA-20H  |      | 363  |      | μA    |
| I <sub>START_X32M_X2</sub>   | Epson FA-128  |      | 396  |      | μA    |

| Symbol                     | Description                        | Min. | Typ. | Max. | Units |
|----------------------------|------------------------------------|------|------|------|-------|
| I <sub>START_X32M_X3</sub> | NDK NX1612AA                       |      | 783  |      | μA    |
| I <sub>START_X32M_X4</sub> | NDK NX1210AB                       |      | 833  |      | μA    |
| t <sub>POWER_X32M</sub>    | Power-up time for various crystals |      |      |      |       |
| t <sub>POWER_X32M_X0</sub> | Epson TSX-3225                     |      | 50   |      | μs    |
| t <sub>POWER_X32M_X1</sub> | Epson FA-20H                       |      | 60   |      | μs    |
| t <sub>POWER_X32M_X2</sub> | Epson FA-128                       |      | 75   |      | μs    |
| t <sub>POWER_X32M_X3</sub> | NDK NX1612AA                       |      | 195  |      | μs    |
| t <sub>POWER_X32M_X4</sub> | NDK NX1210AB                       |      | 210  |      | μs    |

### 5.4.4.3 Low frequency crystal oscillator (LFXO)

| Symbol                     | Description  | Min. | Typ.   | Max. | Units |
|----------------------------|--|------|--------|------|-------|
| f <sub>NOM_LFXO</sub>      | Crystal frequency  |      | 32.768 |      | kHz   |
| f <sub>TOL_LFXO_BLE</sub>  | Frequency tolerance requirement for BLE stack  |      |        | ±500 | ppm   |
| f <sub>TOL_LFXO_ANT</sub>  | Frequency tolerance requirement for ANT stack  |      |        | ±50  | ppm   |
| C <sub>L_LFXO</sub>        | Load capacitance   |      | 12.5   |      | pF    |
| C <sub>D_LFXO</sub>        | Shunt capacitance  |      | 2      |      | pF    |
| R <sub>S_LFXO</sub>        | Equivalent series resistance   |      | 100    |      | kΩ    |
| P <sub>D_LFXO</sub>        | Drive level  |      |        | 0.5  | μW    |
| C <sub>pin</sub>           | Input capacitance on XL1 and XL2 pads  |      | 4      |      | pF    |
| I <sub>LFXO</sub>          | Run current for 32.768 kHz crystal oscillator  |      | 0.23   |      | μA    |
| t <sub>START_LFXO</sub>    | Startup time for 32.768 kHz crystal oscillator   |      | 0.25   |      | s     |
| V <sub>AMP.IN,XO,LOW</sub> | Peak to peak amplitude for external low swing clock. Input signal must not swing outside supply rails. | 200  |        | 1000 | mV    |

### 5.4.4.4 Low frequency RC oscillator (LFRC)

| Symbol                    | Description   | Min. | Typ.   | Max. | Units |
|---------------------------|---|------|--------|------|-------|
| f <sub>NOM_LFRC</sub>     | Nominal frequency                                   |      | 32.768 |      | kHz   |
| f <sub>TOL_LFRC</sub>     | Frequency tolerance, uncalibrated                   |      |        | ±5   | %     |
| f <sub>TOL_CAL_LFRC</sub> | Frequency tolerance after calibration <sup>13</sup> |      |        | ±500 | ppm   |
| I <sub>LFRC</sub>         | Run current   |      | 0.7    |      | μA    |
| t <sub>START_LFRC</sub>   | Startup time  |      | 1000   |      | μs    |

### 5.4.4.5 Low frequency RC oscillator (LFRC), Ultra-low power mode (ULP)

| Symbol                       | Description   | Min. | Typ.   | Max.  | Units |
|------------------------------|---|------|--------|-------|-------|
| f <sub>NOM_LFULP</sub>       | Nominal frequency                                   |      | 32.768 |       | kHz   |
| f <sub>TOL_UNCAL_LFULP</sub> | Frequency tolerance, uncalibrated                   |      |        | ±7    | %     |
| f <sub>TOL_CAL_LFULP</sub>   | Frequency tolerance after calibration <sup>14</sup> |      |        | ±2000 | ppm   |
| I <sub>LFULP</sub>           | Run current   |      | 0.3    |       | μA    |
| t <sub>START_LFULP</sub>     | Startup time  |      | 1500   |       | μs    |

### 5.4.4.6 Synthesized low frequency clock (LFSYNT)

<sup>13</sup> Constant temperature within ±0.5 °C, calibration performed at least every 8 seconds, averaging interval > 7.5 ms, defined as 3 sigma

<sup>14</sup> Constant temperature within ±0.5 °C, calibration performed at least every 8 seconds, averaging interval > 125 ms, defined as 3 sigma



---

| Symbol                   | Description       | Min. | Typ.   | Max. | Units |
|--------------------------|-------------------|------|--------|------|-------|
| $f_{\text{NOM\_LFSYNT}}$ | Nominal frequency |      | 32.768 |      | kHz   |

# 6 Peripherals

## 6.1 Peripheral interface

Peripherals are controlled by the CPU by writing to configuration registers and task registers. Peripheral events are indicated to the CPU by event registers and interrupts if they are configured for a given event.

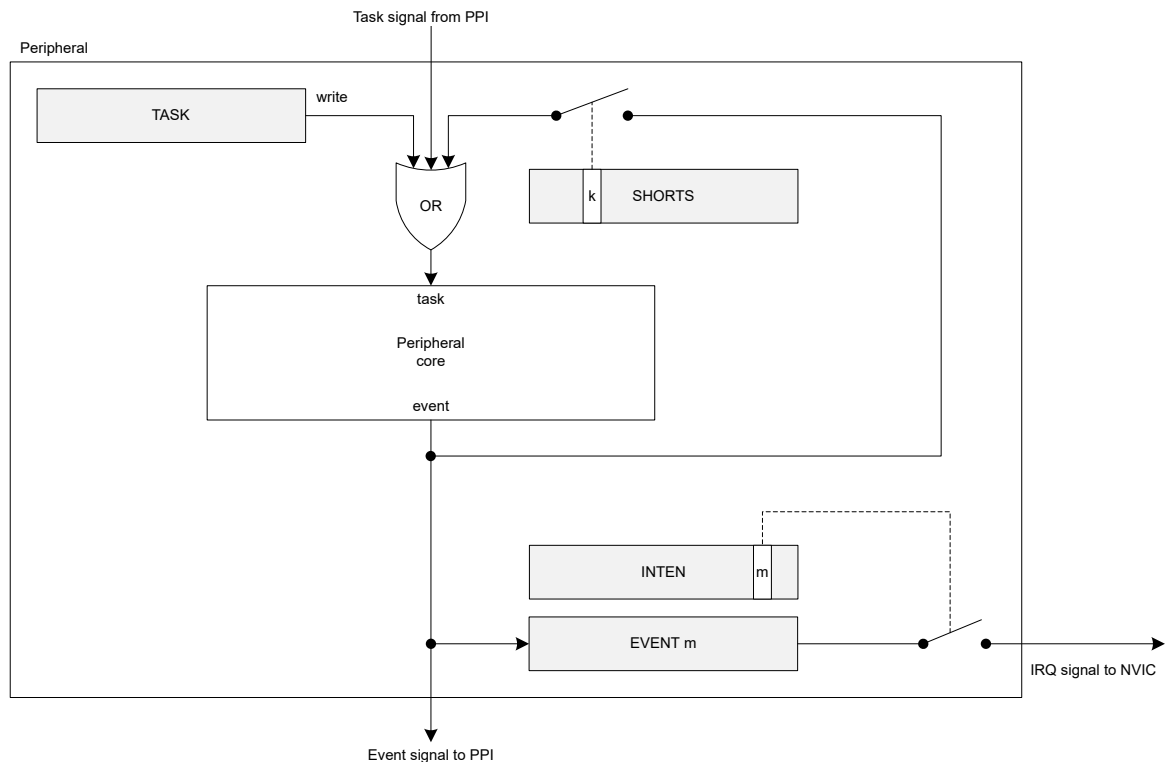


Figure 26: Tasks, events, shortcuts, and interrupts

### 6.1.1 Peripheral ID

Every peripheral is assigned a fixed block of 0x1000 bytes of address space, which is equal to 1024 x 32 bit registers.

See [Instantiation](#) on page 23 for more information about which peripherals are available and where they are located in the address map.

There is a direct relationship between peripheral ID and base address. For example, a peripheral with base address 0x40000000 is assigned ID=0, a peripheral with base address 0x40001000 is assigned ID=1, and a peripheral with base address 0x4001F000 is assigned ID=31.

Peripherals may share the same ID, which may impose one or more of the following limitations:

- Some peripherals share some registers or other common resources.
- Operation is mutually exclusive. Only one of the peripherals can be used at a time.
- Switching from one peripheral to another must follow a specific pattern (disable the first, then enable the second peripheral).

## 6.1.2 Peripherals with shared ID

In general (with the exception of ID 0), peripherals sharing an ID and base address may not be used simultaneously. The user can only enable one peripheral at the time on this specific ID.

When switching between two peripherals sharing an ID, the user should do the following to prevent unwanted behavior:

1. Disable the previously used peripheral.
2. Remove any programmable peripheral interconnect (PPI) connections set up for the peripheral that is being disabled.
3. Clear all bits in the INTEN register, i.e. `INTENCLR = 0xFFFFFFFF`.
4. Explicitly configure the peripheral that you are about to enable and do not rely on configuration values that may be inherited from the peripheral that was disabled.
5. Enable the now configured peripheral.

See which peripherals are sharing ID in [Instantiation](#) on page 23.

## 6.1.3 Peripheral registers

Most peripherals feature an ENABLE register. Unless otherwise specified in the relevant chapter, the peripheral registers (in particular the PSEL registers) must be configured before enabling the peripheral.

The peripheral must be enabled before tasks and events can be used.

## 6.1.4 Bit set and clear

Registers with multiple single-bit bit fields may implement the set-and-clear pattern. This pattern enables firmware to set and clear individual bits in a register without having to perform a read-modify-write operation on the main register.

This pattern is implemented using three consecutive addresses in the register map, where the main register is followed by dedicated SET and CLR registers (in that exact order).

The SET register is used to set individual bits in the main register while the CLR register is used to clear individual bits in the main register. Writing 1 to a bit in SET or CLR register will set or clear the same bit in the main register respectively. Writing 0 to a bit in SET or CLR register has no effect. Reading the SET or CLR register returns the value of the main register.

**Note:** The main register may not be visible and hence not directly accessible in all cases.

## 6.1.5 Tasks

Tasks are used to trigger actions in a peripheral, for example to start a particular behavior. A peripheral can implement multiple tasks with each task having a separate register in that peripheral's task register group.

A task is triggered when firmware writes 1 to the task register, or when the peripheral itself or another peripheral toggles the corresponding task signal. See [Tasks, events, shortcuts, and interrupts](#) on page 102.

## 6.1.6 Events

Events are used to notify peripherals and the CPU about events that have happened, for example a state change in a peripheral. A peripheral may generate multiple events with each event having a separate register in that peripheral's event register group.

An event is generated when the peripheral itself toggles the corresponding event signal, and the event register is updated to reflect that the event has been generated. See [Tasks, events, shortcuts, and interrupts](#) on page 102. An event register is only cleared when firmware writes 0 to it.

Events can be generated by the peripheral even when the event register is set to 1.

### 6.1.7 Shortcuts

A shortcut is a direct connection between an event and a task within the same peripheral. If a shortcut is enabled, the associated task is automatically triggered when its associated event is generated.

Using a shortcut is the equivalent to making the same connection outside the peripheral and through the PPI. However, the propagation delay through the shortcut is usually shorter than the propagation delay through the PPI.

Shortcuts are predefined, which means their connections cannot be configured by firmware. Each shortcut can be individually enabled or disabled through the shortcut register, one bit per shortcut, giving a maximum of 32 shortcuts for each peripheral.

### 6.1.8 Interrupts

All peripherals support interrupts. Interrupts are generated by events.

A peripheral only occupies one interrupt, and the interrupt number follows the peripheral ID. For example, the peripheral with ID=4 is connected to interrupt number 4 in the nested vectored interrupt controller (NVIC).

Using the INTEN, INTENSET, and INTENCLR registers, every event generated by a peripheral can be configured to generate that peripheral's interrupt. Multiple events can be enabled to generate interrupts simultaneously. To resolve the correct interrupt source, the event registers in the event group of peripheral registers will indicate the source.

Some peripherals implement only INTENSET and INTENCLR registers, and the INTEN register is not available on those peripherals. See the individual peripheral chapters for details. In all cases, reading back the INTENSET or INTENCLR register returns the same information as in INTEN.

Each event implemented in the peripheral is associated with a specific bit position in the INTEN, INTENSET, and INTENCLR registers.

The relationship between tasks, events, shortcuts, and interrupts is shown in [Tasks, events, shortcuts, and interrupts](#) on page 102.

#### Interrupt clearing

Clearing an interrupt by writing 0 to an event register, or disabling an interrupt using the INTENCLR register, can take up to four CPU clock cycles to take effect. This means that an interrupt may reoccur immediately, even if a new event has not come, if the program exits an interrupt handler after the interrupt is cleared or disabled but before four clock cycles have passed.

**Note:** To avoid an interrupt reoccurring before a new event has come, the program should perform a read from one of the peripheral registers. For example, the event register that has been cleared, or the INTENCLR register that has been used to disable the interrupt. This will cause a one to three-cycle delay and ensure the interrupt is cleared before exiting the interrupt handler.

Care should be taken to ensure the compiler does not remove the read operation as an optimization. If the program can guarantee a four-cycle delay after an event is cleared or an interrupt is disabled, then a read of a register is not required.

## 6.2 AAR — Accelerated address resolver

Accelerated address resolver is a cryptographic support function for implementing the Resolvable Private Address Resolution procedure described in *Bluetooth Core Specification v4.0*. Resolvable Private Address generation should be achieved using ECB and is not supported by AAR.

The procedure allows two devices that share a secret key to generate and resolve a hash based on their device address. The AAR block enables real-time address resolution on incoming packets when configured as described in this chapter. This allows real-time packet filtering (whitelisting) using a list of known shared keys (Identity Resolving Keys (IRK) in *Bluetooth*).

### 6.2.1 EasyDMA

AAR implements EasyDMA for reading and writing to RAM. EasyDMA will have finished accessing RAM when the END, RESOLVED, and NOTRESOLVED events are generated.

If the [IRKPTR](#) on page 110, [ADDRPTR](#) on page 110, and the [SCRATCHPTR](#) on page 110 is not pointing to the Data RAM region, an EasyDMA transfer may result in a HardFault or RAM corruption. See [Memory](#) on page 20 for more information about the different memory regions.

### 6.2.2 Resolving a resolvable address

A private resolvable address is composed of six bytes according to the *Bluetooth Core Specification*.

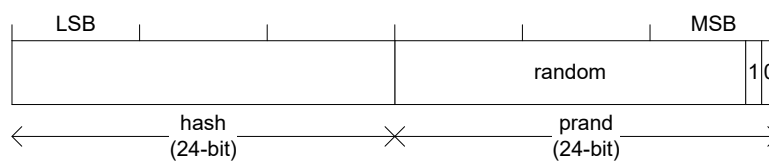


Figure 27: Resolvable address

To resolve an address, the register [ADDRPTR](#) on page 110 must point to the start of the packet. The resolver is started by triggering the START task. A RESOLVED event is generated when AAR manages to resolve the address using one of the Identity Resolving Keys (IRK) found in the IRK data structure. AAR will use the IRK specified in the register IRK0 to IRK15 starting from IRK0. The register [NIRK](#) on page 109 specifies how many IRKs should be used. The AAR module will generate a NOTRESOLVED event if it is not able to resolve the address using the specified list of IRKs.

AAR will go through the list of available IRKs in the IRK data structure and for each IRK try to resolve the address according to the Resolvable Private Address Resolution Procedure described in the *Bluetooth Core specification v4.0 [Vol 3]* chapter 10.8.2.3. The time it takes to resolve an address varies due to the location in the list of the resolvable address. The resolution time will also be affected by RAM accesses performed by other peripherals and the CPU. See the [Electrical specifications](#) for more information about resolution time.

AAR only compares the received address to those programmed in the module without checking the address type.

AAR will stop as soon as it has managed to resolve the address, or after trying to resolve the address using NIRK number of IRKs from the IRK data structure. AAR will generate an END event after it has stopped.

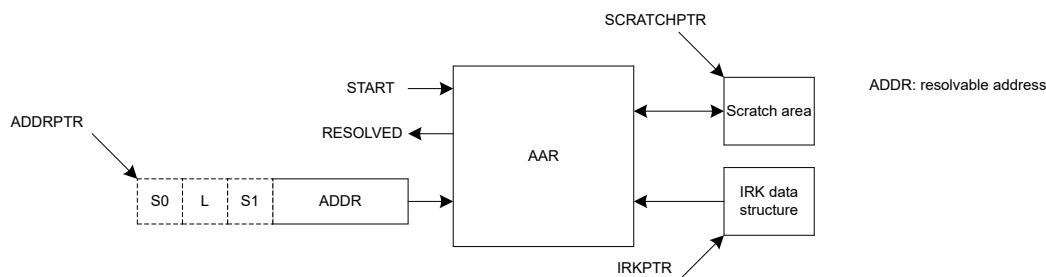


Figure 28: Address resolution with packet preloaded into RAM

### 6.2.3 Example

The following example shows how to chain RADIO packet reception with address resolution using AAR. AAR may be started as soon as the 6 bytes required by AAR have been received by RADIO and stored in RAM. The ADDRPTR pointer must point to the start of packet.

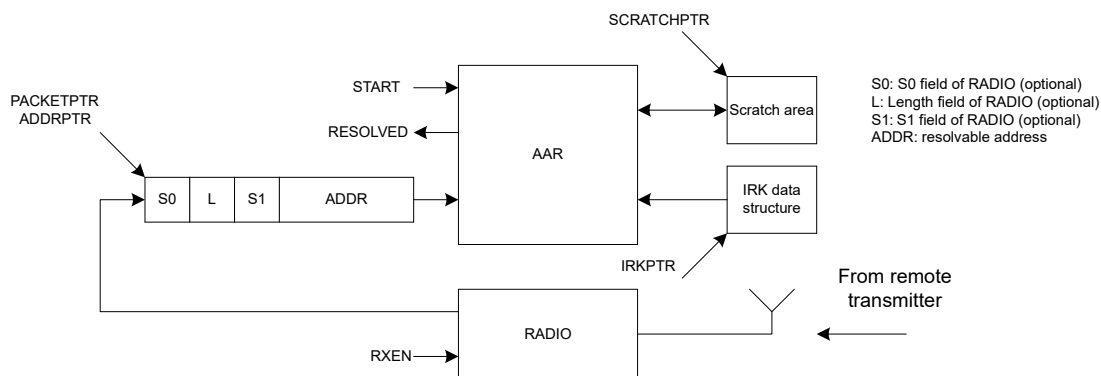


Figure 29: Address resolution with packet loaded into RAM by RADIO

### 6.2.4 IRK data structure

The IRK data structure is located in RAM at the memory location specified by the IRKPTR register.

| Property | Address offset | Description              |
|----------|----------------|--------------------------|
| IRK0     | 0              | IRK number 0 (16 bytes)  |
| IRK1     | 16             | IRK number 1 (16 bytes)  |
| ..       | ..             | ..                       |
| IRK15    | 240            | IRK number 15 (16 bytes) |

Table 23: IRK data structure overview

### 6.2.5 Registers

| Base address | Peripheral | Instance | Description                  | Configuration |
|--------------|------------|----------|------------------------------|---------------|
| 0x4000F000   | AAR        | AAR      | Accelerated address resolver |               |

Table 24: Instances

| Register    | Offset | Description   |
|-------------|--------|---|
| TASKS_START | 0x000  | Start resolving addresses based on IRKs specified in the IRK data structure |
| TASKS_STOP  | 0x008  | Stop resolving addresses  |
| EVENTS_END  | 0x100  | Address resolution procedure complete                                       |

| Register           | Offset | Description                                     |
|--------------------|--------|---|
| EVENTS_RESOLVED    | 0x104  | Address resolved                                |
| EVENTS_NOTRESOLVED | 0x108  | Address not resolved                            |
| INTENSET           | 0x304  | Enable interrupt                                |
| INTENCLR           | 0x308  | Disable interrupt                               |
| STATUS             | 0x400  | Resolution status                               |
| ENABLE             | 0x500  | Enable AAR                                      |
| NIRK               | 0x504  | Number of IRKs                                  |
| IRKPTR             | 0x508  | Pointer to IRK data structure                   |
| ADDRPTR            | 0x510  | Pointer to the resolvable address               |
| SCRATCHPTR         | 0x514  | Pointer to data area used for temporary storage |

Table 25: Register overview

### 6.2.5.1 TASKS\_START

Address offset: 0x000

Start resolving addresses based on IRKs specified in the IRK data structure

| Bit number       | 31 30 29 28 27 26 25 24 23 22 21 20 19 18 17 16 15 14 13 12 11 10 9 8 7 6 5 4 3 2 1 0 |             |          |       |   |  |  |  |  |  |  |  |  |  |  |  |  |  |  |  |  |  |  |  |  |  |  |  |  |  |  |
|------------------|---|-------------|----------|-------|---|--|--|--|--|--|--|--|--|--|--|--|--|--|--|--|--|--|--|--|--|--|--|--|--|--|--|
| ID               | A   |             |          |       |   |  |  |  |  |  |  |  |  |  |  |  |  |  |  |  |  |  |  |  |  |  |  |  |  |  |  |
| Reset 0x00000000 | 0                       |             |          |       |   |  |  |  |  |  |  |  |  |  |  |  |  |  |  |  |  |  |  |  |  |  |  |  |  |  |  |
| ID               | Acce  | Field       | Value ID | Value | Description   |  |  |  |  |  |  |  |  |  |  |  |  |  |  |  |  |  |  |  |  |  |  |  |  |  |  |
| A                | W   | TASKS_START |          |       | Start resolving addresses based on IRKs specified in the IRK data structure |  |  |  |  |  |  |  |  |  |  |  |  |  |  |  |  |  |  |  |  |  |  |  |  |  |  |
|                  |   |             | Trigger  | 1     | Trigger task  |  |  |  |  |  |  |  |  |  |  |  |  |  |  |  |  |  |  |  |  |  |  |  |  |  |  |

### 6.2.5.2 TASKS\_STOP

Address offset: 0x008

Stop resolving addresses

| Bit number       | 31 30 29 28 27 26 25 24 23 22 21 20 19 18 17 16 15 14 13 12 11 10 9 8 7 6 5 4 3 2 1 0 |            |          |       |                          |  |  |  |  |  |  |  |  |  |  |  |  |  |  |  |  |  |  |  |  |  |  |  |  |  |  |
|------------------|---|------------|----------|-------|--------------------------|--|--|--|--|--|--|--|--|--|--|--|--|--|--|--|--|--|--|--|--|--|--|--|--|--|--|
| ID               | A   |            |          |       |                          |  |  |  |  |  |  |  |  |  |  |  |  |  |  |  |  |  |  |  |  |  |  |  |  |  |  |
| Reset 0x00000000 | 0                       |            |          |       |                          |  |  |  |  |  |  |  |  |  |  |  |  |  |  |  |  |  |  |  |  |  |  |  |  |  |  |
| ID               | Acce  | Field      | Value ID | Value | Description              |  |  |  |  |  |  |  |  |  |  |  |  |  |  |  |  |  |  |  |  |  |  |  |  |  |  |
| A                | W   | TASKS_STOP |          |       | Stop resolving addresses |  |  |  |  |  |  |  |  |  |  |  |  |  |  |  |  |  |  |  |  |  |  |  |  |  |  |
|                  |   |            | Trigger  | 1     | Trigger task             |  |  |  |  |  |  |  |  |  |  |  |  |  |  |  |  |  |  |  |  |  |  |  |  |  |  |

### 6.2.5.3 EVENTS\_END

Address offset: 0x100

Address resolution procedure complete

| Bit number       | 31 30 29 28 27 26 25 24 23 22 21 20 19 18 17 16 15 14 13 12 11 10 9 8 7 6 5 4 3 2 1 0 |            |              |       |                                       |  |  |  |  |  |  |  |  |  |  |  |  |  |  |  |  |  |  |  |  |  |  |  |  |  |  |
|------------------|---|------------|--------------|-------|---------------------------------------|--|--|--|--|--|--|--|--|--|--|--|--|--|--|--|--|--|--|--|--|--|--|--|--|--|--|
| ID               | A   |            |              |       |                                       |  |  |  |  |  |  |  |  |  |  |  |  |  |  |  |  |  |  |  |  |  |  |  |  |  |  |
| Reset 0x00000000 | 0                       |            |              |       |                                       |  |  |  |  |  |  |  |  |  |  |  |  |  |  |  |  |  |  |  |  |  |  |  |  |  |  |
| ID               | Acce  | Field      | Value ID     | Value | Description                           |  |  |  |  |  |  |  |  |  |  |  |  |  |  |  |  |  |  |  |  |  |  |  |  |  |  |
| A                | RW  | EVENTS_END |              |       | Address resolution procedure complete |  |  |  |  |  |  |  |  |  |  |  |  |  |  |  |  |  |  |  |  |  |  |  |  |  |  |
|                  |   |            | NotGenerated | 0     | Event not generated                   |  |  |  |  |  |  |  |  |  |  |  |  |  |  |  |  |  |  |  |  |  |  |  |  |  |  |
|                  |   |            | Generated    | 1     | Event generated                       |  |  |  |  |  |  |  |  |  |  |  |  |  |  |  |  |  |  |  |  |  |  |  |  |  |  |

### 6.2.5.4 EVENTS\_RESOLVED

Address offset: 0x104

Address resolved

| Bit number       | 31  | 30              | 29           | 28    | 27                  | 26 | 25 | 24 | 23 | 22 | 21 | 20 | 19 | 18 | 17 | 16 | 15 | 14 | 13 | 12 | 11 | 10 | 9 | 8 | 7 | 6 | 5 | 4 | 3 | 2 | 1 | 0 |
|------------------|---|-----------------|--------------|-------|---------------------|----|----|----|----|----|----|----|----|----|----|----|----|----|----|----|----|----|---|---|---|---|---|---|---|---|---|---|
| ID               |   |                 |              |       |                     |    |    |    |    |    |    |    |    |    |    |    |    |    |    |    |    |    |   |   |   |   |   |   |   |   |   | A |
| Reset 0x00000000 | 0 |                 |              |       |                     |    |    |    |    |    |    |    |    |    |    |    |    |    |    |    |    |    |   |   |   |   |   |   |   |   |   |   |
| ID               | Acce  | Field           | Value ID     | Value | Description         |    |    |    |    |    |    |    |    |    |    |    |    |    |    |    |    |    |   |   |   |   |   |   |   |   |   |   |
| A                | RW  | EVENTS_RESOLVED |              |       | Address resolved    |    |    |    |    |    |    |    |    |    |    |    |    |    |    |    |    |    |   |   |   |   |   |   |   |   |   |   |
|                  |   |                 | NotGenerated | 0     | Event not generated |    |    |    |    |    |    |    |    |    |    |    |    |    |    |    |    |    |   |   |   |   |   |   |   |   |   |   |
|                  |   |                 | Generated    | 1     | Event generated     |    |    |    |    |    |    |    |    |    |    |    |    |    |    |    |    |    |   |   |   |   |   |   |   |   |   |   |

### 6.2.5.5 EVENTS\_NOTRESOLVED

Address offset: 0x108

Address not resolved

| Bit number       | 31  | 30                 | 29           | 28    | 27                   | 26 | 25 | 24 | 23 | 22 | 21 | 20 | 19 | 18 | 17 | 16 | 15 | 14 | 13 | 12 | 11 | 10 | 9 | 8 | 7 | 6 | 5 | 4 | 3 | 2 | 1 | 0 |
|------------------|---|--------------------|--------------|-------|----------------------|----|----|----|----|----|----|----|----|----|----|----|----|----|----|----|----|----|---|---|---|---|---|---|---|---|---|---|
| ID               |   |                    |              |       |                      |    |    |    |    |    |    |    |    |    |    |    |    |    |    |    |    |    |   |   |   |   |   |   |   |   |   | A |
| Reset 0x00000000 | 0 |                    |              |       |                      |    |    |    |    |    |    |    |    |    |    |    |    |    |    |    |    |    |   |   |   |   |   |   |   |   |   |   |
| ID               | Acce  | Field              | Value ID     | Value | Description          |    |    |    |    |    |    |    |    |    |    |    |    |    |    |    |    |    |   |   |   |   |   |   |   |   |   |   |
| A                | RW  | EVENTS_NOTRESOLVED |              |       | Address not resolved |    |    |    |    |    |    |    |    |    |    |    |    |    |    |    |    |    |   |   |   |   |   |   |   |   |   |   |
|                  |   |                    | NotGenerated | 0     | Event not generated  |    |    |    |    |    |    |    |    |    |    |    |    |    |    |    |    |    |   |   |   |   |   |   |   |   |   |   |
|                  |   |                    | Generated    | 1     | Event generated      |    |    |    |    |    |    |    |    |    |    |    |    |    |    |    |    |    |   |   |   |   |   |   |   |   |   |   |

### 6.2.5.6 INTENSET

Address offset: 0x304

Enable interrupt

| Bit number       | 31  | 30          | 29       | 28    | 27  | 26 | 25 | 24 | 23 | 22 | 21 | 20 | 19 | 18 | 17 | 16 | 15 | 14 | 13 | 12 | 11 | 10 | 9 | 8 | 7 | 6 | 5 | 4 | 3 | 2 | 1 | 0     |
|------------------|---|-------------|----------|-------|---|----|----|----|----|----|----|----|----|----|----|----|----|----|----|----|----|----|---|---|---|---|---|---|---|---|---|-------|
| ID               |   |             |          |       |   |    |    |    |    |    |    |    |    |    |    |    |    |    |    |    |    |    |   |   |   |   |   |   |   |   |   | C B A |
| Reset 0x00000000 | 0 |             |          |       |   |    |    |    |    |    |    |    |    |    |    |    |    |    |    |    |    |    |   |   |   |   |   |   |   |   |   |       |
| ID               | Acce  | Field       | Value ID | Value | Description   |    |    |    |    |    |    |    |    |    |    |    |    |    |    |    |    |    |   |   |   |   |   |   |   |   |   |       |
| A                | RW  | END         |          |       | Write '1' to enable interrupt for event END         |    |    |    |    |    |    |    |    |    |    |    |    |    |    |    |    |    |   |   |   |   |   |   |   |   |   |       |
|                  |   |             | Set      | 1     | Enable  |    |    |    |    |    |    |    |    |    |    |    |    |    |    |    |    |    |   |   |   |   |   |   |   |   |   |       |
|                  |   |             | Disabled | 0     | Read: Disabled                                      |    |    |    |    |    |    |    |    |    |    |    |    |    |    |    |    |    |   |   |   |   |   |   |   |   |   |       |
|                  |   |             | Enabled  | 1     | Read: Enabled                                       |    |    |    |    |    |    |    |    |    |    |    |    |    |    |    |    |    |   |   |   |   |   |   |   |   |   |       |
| B                | RW  | RESOLVED    |          |       | Write '1' to enable interrupt for event RESOLVED    |    |    |    |    |    |    |    |    |    |    |    |    |    |    |    |    |    |   |   |   |   |   |   |   |   |   |       |
|                  |   |             | Set      | 1     | Enable  |    |    |    |    |    |    |    |    |    |    |    |    |    |    |    |    |    |   |   |   |   |   |   |   |   |   |       |
|                  |   |             | Disabled | 0     | Read: Disabled                                      |    |    |    |    |    |    |    |    |    |    |    |    |    |    |    |    |    |   |   |   |   |   |   |   |   |   |       |
|                  |   |             | Enabled  | 1     | Read: Enabled                                       |    |    |    |    |    |    |    |    |    |    |    |    |    |    |    |    |    |   |   |   |   |   |   |   |   |   |       |
| C                | RW  | NOTRESOLVED |          |       | Write '1' to enable interrupt for event NOTRESOLVED |    |    |    |    |    |    |    |    |    |    |    |    |    |    |    |    |    |   |   |   |   |   |   |   |   |   |       |
|                  |   |             | Set      | 1     | Enable  |    |    |    |    |    |    |    |    |    |    |    |    |    |    |    |    |    |   |   |   |   |   |   |   |   |   |       |
|                  |   |             | Disabled | 0     | Read: Disabled                                      |    |    |    |    |    |    |    |    |    |    |    |    |    |    |    |    |    |   |   |   |   |   |   |   |   |   |       |
|                  |   |             | Enabled  | 1     | Read: Enabled                                       |    |    |    |    |    |    |    |    |    |    |    |    |    |    |    |    |    |   |   |   |   |   |   |   |   |   |       |

### 6.2.5.7 INTENCLR

Address offset: 0x308

Disable interrupt



| Bit number              | 31 30 29 28 27 26 25 24 23 22 21 20 19 18 17 16 15 14 13 12 11 10 9 8 7 6 5 4 3 2 1 0 |             |          |       |   |  |  |  |  |  |  |  |  |  |  |  |  |  |  |  |  |  |  |  |  |  |  |  |  |  |   |   |   |
|-------------------------|---|-------------|----------|-------|---|--|--|--|--|--|--|--|--|--|--|--|--|--|--|--|--|--|--|--|--|--|--|--|--|--|---|---|---|
| ID                      |   |             |          |       |   |  |  |  |  |  |  |  |  |  |  |  |  |  |  |  |  |  |  |  |  |  |  |  |  |  | C | B | A |
| <b>Reset 0x00000000</b> | <b>0 0</b>      |             |          |       |   |  |  |  |  |  |  |  |  |  |  |  |  |  |  |  |  |  |  |  |  |  |  |  |  |  |   |   |   |
| ID                      | Acce  | Field       | Value ID | Value | Description   |  |  |  |  |  |  |  |  |  |  |  |  |  |  |  |  |  |  |  |  |  |  |  |  |  |   |   |   |
| A                       | RW  | END         |          |       | Write '1' to disable interrupt for event <b>END</b>         |  |  |  |  |  |  |  |  |  |  |  |  |  |  |  |  |  |  |  |  |  |  |  |  |  |   |   |   |
|                         |   |             | Clear    | 1     | Disable   |  |  |  |  |  |  |  |  |  |  |  |  |  |  |  |  |  |  |  |  |  |  |  |  |  |   |   |   |
|                         |   |             | Disabled | 0     | Read: Disabled  |  |  |  |  |  |  |  |  |  |  |  |  |  |  |  |  |  |  |  |  |  |  |  |  |  |   |   |   |
|                         |   |             | Enabled  | 1     | Read: Enabled   |  |  |  |  |  |  |  |  |  |  |  |  |  |  |  |  |  |  |  |  |  |  |  |  |  |   |   |   |
| B                       | RW  | RESOLVED    |          |       | Write '1' to disable interrupt for event <b>RESOLVED</b>    |  |  |  |  |  |  |  |  |  |  |  |  |  |  |  |  |  |  |  |  |  |  |  |  |  |   |   |   |
|                         |   |             | Clear    | 1     | Disable   |  |  |  |  |  |  |  |  |  |  |  |  |  |  |  |  |  |  |  |  |  |  |  |  |  |   |   |   |
|                         |   |             | Disabled | 0     | Read: Disabled  |  |  |  |  |  |  |  |  |  |  |  |  |  |  |  |  |  |  |  |  |  |  |  |  |  |   |   |   |
|                         |   |             | Enabled  | 1     | Read: Enabled   |  |  |  |  |  |  |  |  |  |  |  |  |  |  |  |  |  |  |  |  |  |  |  |  |  |   |   |   |
| C                       | RW  | NOTRESOLVED |          |       | Write '1' to disable interrupt for event <b>NOTRESOLVED</b> |  |  |  |  |  |  |  |  |  |  |  |  |  |  |  |  |  |  |  |  |  |  |  |  |  |   |   |   |
|                         |   |             | Clear    | 1     | Disable   |  |  |  |  |  |  |  |  |  |  |  |  |  |  |  |  |  |  |  |  |  |  |  |  |  |   |   |   |
|                         |   |             | Disabled | 0     | Read: Disabled  |  |  |  |  |  |  |  |  |  |  |  |  |  |  |  |  |  |  |  |  |  |  |  |  |  |   |   |   |
|                         |   |             | Enabled  | 1     | Read: Enabled   |  |  |  |  |  |  |  |  |  |  |  |  |  |  |  |  |  |  |  |  |  |  |  |  |  |   |   |   |

### 6.2.5.8 STATUS

Address offset: 0x400

Resolution status

| Bit number              | 31 30 29 28 27 26 25 24 23 22 21 20 19 18 17 16 15 14 13 12 11 10 9 8 7 6 5 4 3 2 1 0 |        |          |         |   |  |  |  |  |  |  |  |  |  |  |  |  |  |  |  |  |  |  |  |  |  |  |  |  |  |   |   |   |   |
|-------------------------|---|--------|----------|---------|---|--|--|--|--|--|--|--|--|--|--|--|--|--|--|--|--|--|--|--|--|--|--|--|--|--|---|---|---|---|
| ID                      |   |        |          |         |   |  |  |  |  |  |  |  |  |  |  |  |  |  |  |  |  |  |  |  |  |  |  |  |  |  | A | A | A | A |
| <b>Reset 0x00000000</b> | <b>0 0</b>      |        |          |         |   |  |  |  |  |  |  |  |  |  |  |  |  |  |  |  |  |  |  |  |  |  |  |  |  |  |   |   |   |   |
| ID                      | Acce  | Field  | Value ID | Value   | Description   |  |  |  |  |  |  |  |  |  |  |  |  |  |  |  |  |  |  |  |  |  |  |  |  |  |   |   |   |   |
| A                       | R   | STATUS |          | [0..15] | The IRK that was used last time an address was resolved |  |  |  |  |  |  |  |  |  |  |  |  |  |  |  |  |  |  |  |  |  |  |  |  |  |   |   |   |   |

### 6.2.5.9 ENABLE

Address offset: 0x500

Enable AAR

| Bit number              | 31 30 29 28 27 26 25 24 23 22 21 20 19 18 17 16 15 14 13 12 11 10 9 8 7 6 5 4 3 2 1 0 |        |          |       |                       |  |  |  |  |  |  |  |  |  |  |  |  |  |  |  |  |  |  |  |  |  |  |  |  |  |   |   |
|-------------------------|---|--------|----------|-------|-----------------------|--|--|--|--|--|--|--|--|--|--|--|--|--|--|--|--|--|--|--|--|--|--|--|--|--|---|---|
| ID                      |   |        |          |       |                       |  |  |  |  |  |  |  |  |  |  |  |  |  |  |  |  |  |  |  |  |  |  |  |  |  | A | A |
| <b>Reset 0x00000000</b> | <b>0 0</b>      |        |          |       |                       |  |  |  |  |  |  |  |  |  |  |  |  |  |  |  |  |  |  |  |  |  |  |  |  |  |   |   |
| ID                      | Acce  | Field  | Value ID | Value | Description           |  |  |  |  |  |  |  |  |  |  |  |  |  |  |  |  |  |  |  |  |  |  |  |  |  |   |   |
| A                       | RW  | ENABLE |          |       | Enable or disable AAR |  |  |  |  |  |  |  |  |  |  |  |  |  |  |  |  |  |  |  |  |  |  |  |  |  |   |   |
|                         |   |        | Disabled | 0     | Disable               |  |  |  |  |  |  |  |  |  |  |  |  |  |  |  |  |  |  |  |  |  |  |  |  |  |   |   |
|                         |   |        | Enabled  | 3     | Enable                |  |  |  |  |  |  |  |  |  |  |  |  |  |  |  |  |  |  |  |  |  |  |  |  |  |   |   |

### 6.2.5.10 NIRK

Address offset: 0x504

Number of IRKs

| Bit number              | 31 30 29 28 27 26 25 24 23 22 21 20 19 18 17 16 15 14 13 12 11 10 9 8 7 6 5 4 3 2 1 0 |       |          |         |  |  |  |  |  |  |  |  |  |  |  |  |  |  |  |  |  |  |  |  |  |  |  |  |  |  |   |   |   |   |
|-------------------------|---|-------|----------|---------|--|--|--|--|--|--|--|--|--|--|--|--|--|--|--|--|--|--|--|--|--|--|--|--|--|--|---|---|---|---|
| ID                      |   |       |          |         |  |  |  |  |  |  |  |  |  |  |  |  |  |  |  |  |  |  |  |  |  |  |  |  |  |  | A | A | A | A |
| <b>Reset 0x00000001</b> | <b>0 1</b>        |       |          |         |  |  |  |  |  |  |  |  |  |  |  |  |  |  |  |  |  |  |  |  |  |  |  |  |  |  |   |   |   |   |
| ID                      | Acce  | Field | Value ID | Value   | Description  |  |  |  |  |  |  |  |  |  |  |  |  |  |  |  |  |  |  |  |  |  |  |  |  |  |   |   |   |   |
| A                       | RW  | NIRK  |          | [1..16] | Number of Identity Root Keys available in the IRK data structure |  |  |  |  |  |  |  |  |  |  |  |  |  |  |  |  |  |  |  |  |  |  |  |  |  |   |   |   |   |

### 6.2.5.11 IRKPTR

Address offset: 0x508

Pointer to IRK data structure

|                  |      |        |          |       |                                   |    |    |    |    |    |    |    |    |    |    |    |    |    |    |    |    |    |   |   |   |   |   |   |   |   |   |   |
|------------------|------|--------|----------|-------|-----------------------------------|----|----|----|----|----|----|----|----|----|----|----|----|----|----|----|----|----|---|---|---|---|---|---|---|---|---|---|
| Bit number       | 31   | 30     | 29       | 28    | 27                                | 26 | 25 | 24 | 23 | 22 | 21 | 20 | 19 | 18 | 17 | 16 | 15 | 14 | 13 | 12 | 11 | 10 | 9 | 8 | 7 | 6 | 5 | 4 | 3 | 2 | 1 | 0 |
| ID               | A    | A      | A        | A     | A                                 | A  | A  | A  | A  | A  | A  | A  | A  | A  | A  | A  | A  | A  | A  | A  | A  | A  | A | A | A | A | A | A | A | A | A | A |
| Reset 0x00000000 | 0    | 0      | 0        | 0     | 0                                 | 0  | 0  | 0  | 0  | 0  | 0  | 0  | 0  | 0  | 0  | 0  | 0  | 0  | 0  | 0  | 0  | 0  | 0 | 0 | 0 | 0 | 0 | 0 | 0 | 0 | 0 | 0 |
| ID               | Acce | Field  | Value ID | Value | Description                       |    |    |    |    |    |    |    |    |    |    |    |    |    |    |    |    |    |   |   |   |   |   |   |   |   |   |   |
| A                | RW   | IRKPTR |          |       | Pointer to the IRK data structure |    |    |    |    |    |    |    |    |    |    |    |    |    |    |    |    |    |   |   |   |   |   |   |   |   |   |   |

### 6.2.5.12 ADDRPTR

Address offset: 0x510

Pointer to the resolvable address

|                  |      |         |          |       |   |    |    |    |    |    |    |    |    |    |    |    |    |    |    |    |    |    |   |   |   |   |   |   |   |   |   |   |
|------------------|------|---------|----------|-------|---|----|----|----|----|----|----|----|----|----|----|----|----|----|----|----|----|----|---|---|---|---|---|---|---|---|---|---|
| Bit number       | 31   | 30      | 29       | 28    | 27  | 26 | 25 | 24 | 23 | 22 | 21 | 20 | 19 | 18 | 17 | 16 | 15 | 14 | 13 | 12 | 11 | 10 | 9 | 8 | 7 | 6 | 5 | 4 | 3 | 2 | 1 | 0 |
| ID               | A    | A       | A        | A     | A   | A  | A  | A  | A  | A  | A  | A  | A  | A  | A  | A  | A  | A  | A  | A  | A  | A  | A | A | A | A | A | A | A | A | A |   |
| Reset 0x00000000 | 0    | 0       | 0        | 0     | 0   | 0  | 0  | 0  | 0  | 0  | 0  | 0  | 0  | 0  | 0  | 0  | 0  | 0  | 0  | 0  | 0  | 0  | 0 | 0 | 0 | 0 | 0 | 0 | 0 | 0 | 0 |   |
| ID               | Acce | Field   | Value ID | Value | Description                                 |    |    |    |    |    |    |    |    |    |    |    |    |    |    |    |    |    |   |   |   |   |   |   |   |   |   |   |
| A                | RW   | ADDRPTR |          |       | Pointer to the resolvable address (6-bytes) |    |    |    |    |    |    |    |    |    |    |    |    |    |    |    |    |    |   |   |   |   |   |   |   |   |   |   |

### 6.2.5.13 SCRATCHPTR

Address offset: 0x514

Pointer to data area used for temporary storage

|                  |      |            |          |       |   |    |    |    |    |    |    |    |    |    |    |    |    |    |    |    |    |    |   |   |   |   |   |   |   |   |   |   |
|------------------|------|------------|----------|-------|---|----|----|----|----|----|----|----|----|----|----|----|----|----|----|----|----|----|---|---|---|---|---|---|---|---|---|---|
| Bit number       | 31   | 30         | 29       | 28    | 27  | 26 | 25 | 24 | 23 | 22 | 21 | 20 | 19 | 18 | 17 | 16 | 15 | 14 | 13 | 12 | 11 | 10 | 9 | 8 | 7 | 6 | 5 | 4 | 3 | 2 | 1 | 0 |
| ID               | A    | A          | A        | A     | A   | A  | A  | A  | A  | A  | A  | A  | A  | A  | A  | A  | A  | A  | A  | A  | A  | A  | A | A | A | A | A | A | A | A | A |   |
| Reset 0x00000000 | 0    | 0          | 0        | 0     | 0   | 0  | 0  | 0  | 0  | 0  | 0  | 0  | 0  | 0  | 0  | 0  | 0  | 0  | 0  | 0  | 0  | 0  | 0 | 0 | 0 | 0 | 0 | 0 | 0 | 0 | 0 |   |
| ID               | Acce | Field      | Value ID | Value | Description   |    |    |    |    |    |    |    |    |    |    |    |    |    |    |    |    |    |   |   |   |   |   |   |   |   |   |   |
| A                | RW   | SCRATCHPTR |          |       | Pointer to a scratch data area used for temporary storage during resolution. A space of minimum 3 bytes must be reserved. |    |    |    |    |    |    |    |    |    |    |    |    |    |    |    |    |    |   |   |   |   |   |   |   |   |   |   |

## 6.2.6 Electrical specification

### 6.2.6.1 AAR Electrical Specification

| Symbol      | Description   | Min. | Typ. | Max. | Units   |
|-------------|---|------|------|------|---------|
| $t_{AAR}$   | Address resolution time per IRK. Total time for several IRKs is given as $(1 \mu s + n * t_{AAR})$ , where n is the number of IRKs. (Given priority to the actual destination RAM block). |      |      | 6    | $\mu s$ |
| $t_{AAR,8}$ | Time for address resolution of 8 IRKs. (Given priority to the actual destination RAM block).  |      |      | 49   | $\mu s$ |

## 6.3 ACL — Access control lists

The Access control lists (ACL) peripheral is designed to assign and enforce access permission schemes for different regions of the on-chip flash memory map.

Flash memory regions can be assigned individual ACL permission schemes. The following registers are involved:

- PERM register - configures permission schemes
- ADDR register - defines the flash page start address (word-aligned)
- SIZE register - determines the size of the region where the permission schemes are applied

**Note:** The size of the region is restricted to a multiple of the flash page size, measured in bytes. The maximum region is limited to half the size of the flash page. See [Memory](#) on page 20 for more information.

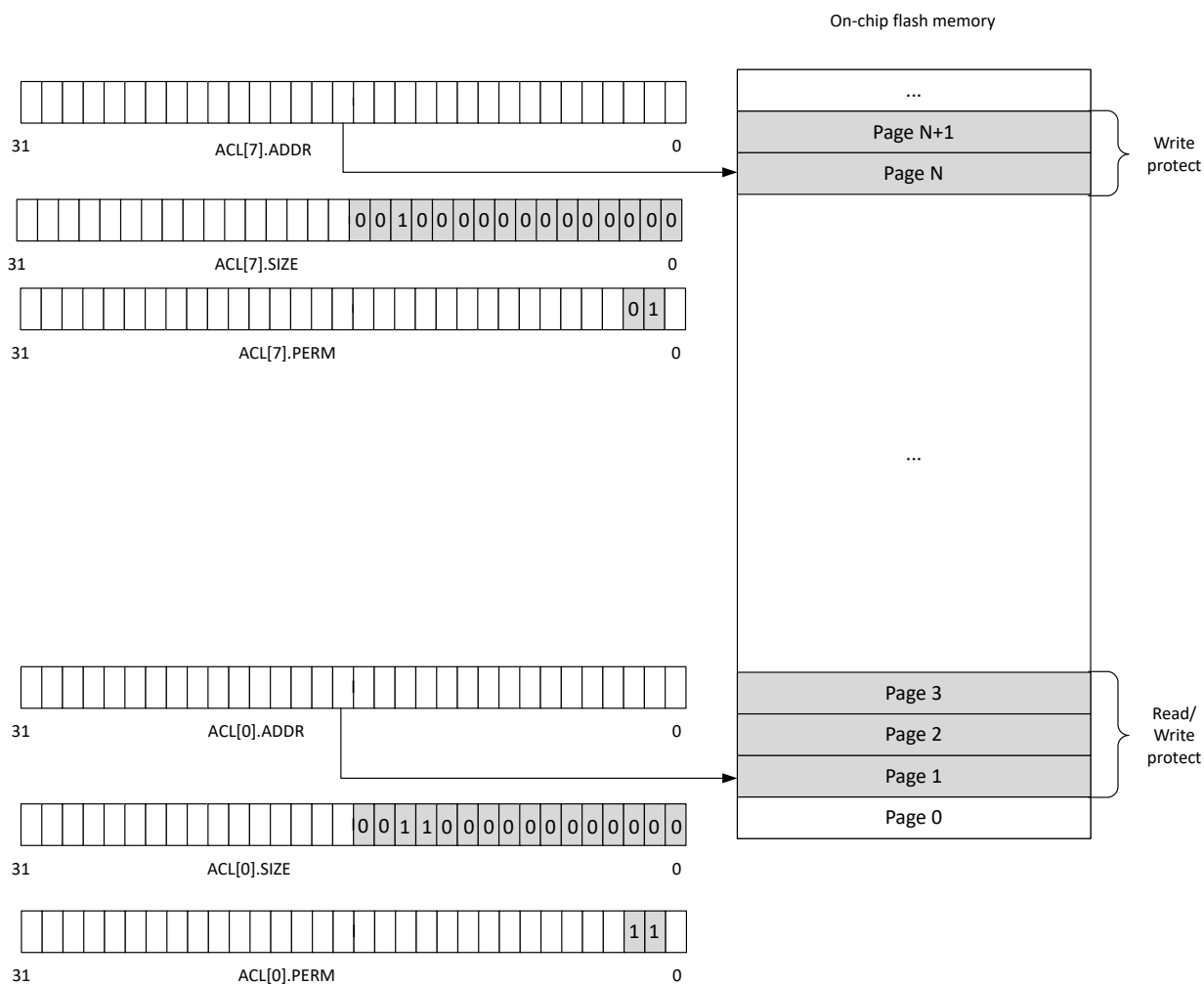


Figure 30: On-chip flash memory protected regions

There are four defined ACL permission schemes, each with different combinations of read/write permissions, as shown in the following table.

| Read | Write | Protection description   |
|------|-------|--|
| 0    | 0     | No protection. Entire region can be executed, read, written to, or erased. |
| 0    | 1     | Region can be executed and read, but not written to or erased.             |
| 1    | 0     | Region can be written to and erased, but not executed or read.             |
| 1    | 1     | Region is locked for all access until next reset.                          |

Table 26: ACL permission schemes

**Note:** If a permission violation to a protected region is detected by the ACL peripheral, the request is blocked and a Bus Fault exception is triggered.

Access control to a configured region is enforced by the hardware. This goes into effect two CPU clock cycles after the ADDR, SIZE, and PERM registers for an ACL instance are written successfully. There are two dependencies for protection to be enforced. First, a valid start address for the flash page boundary must be written to the ADDR register. Second, the SIZE and PERM registers cannot be zero.

The ADDR, SIZE, and PERM registers can only be written once. All ACL configuration registers are cleared on reset by resetting the device from a reset source. This is the only way of clearing the configuration registers. To ensure that the ACL peripheral always enforces the desired permission schemes, the device boot sequence must perform the necessary configuration.

Debugger read access to a read-protected region will be Read-As-Zero (RAZ), while debugger write access to a write-protected region will be Write-Ignored (WI).

### 6.3.1 Registers

| Base address | Peripheral | Instance | Description          | Configuration |
|--------------|------------|----------|----------------------|---------------|
| 0x4001E000   | ACL        | ACL      | Access control lists |               |

Table 27: Instances

| Register       | Offset | Description  |
|----------------|--------|--|
| ACL[0].ADDR    | 0x800  | Start address of region to protect. The start address must be word-aligned.                  |
| ACL[0].SIZE    | 0x804  | Size of region to protect counting from address ACL[0].ADDR. Writing a '0' has no effect.    |
| ACL[0].PERM    | 0x808  | Access permissions for region 0 as defined by start address ACL[0].ADDR and size ACL[0].SIZE |
| ACL[0].UNUSED0 | 0x80C  | Reserved   |
| ACL[1].ADDR    | 0x810  | Start address of region to protect. The start address must be word-aligned.                  |
| ACL[1].SIZE    | 0x814  | Size of region to protect counting from address ACL[1].ADDR. Writing a '0' has no effect.    |
| ACL[1].PERM    | 0x818  | Access permissions for region 1 as defined by start address ACL[1].ADDR and size ACL[1].SIZE |
| ACL[1].UNUSED0 | 0x81C  | Reserved   |
| ACL[2].ADDR    | 0x820  | Start address of region to protect. The start address must be word-aligned.                  |
| ACL[2].SIZE    | 0x824  | Size of region to protect counting from address ACL[2].ADDR. Writing a '0' has no effect.    |
| ACL[2].PERM    | 0x828  | Access permissions for region 2 as defined by start address ACL[2].ADDR and size ACL[2].SIZE |
| ACL[2].UNUSED0 | 0x82C  | Reserved   |
| ACL[3].ADDR    | 0x830  | Start address of region to protect. The start address must be word-aligned.                  |
| ACL[3].SIZE    | 0x834  | Size of region to protect counting from address ACL[3].ADDR. Writing a '0' has no effect.    |
| ACL[3].PERM    | 0x838  | Access permissions for region 3 as defined by start address ACL[3].ADDR and size ACL[3].SIZE |
| ACL[3].UNUSED0 | 0x83C  | Reserved   |
| ACL[4].ADDR    | 0x840  | Start address of region to protect. The start address must be word-aligned.                  |
| ACL[4].SIZE    | 0x844  | Size of region to protect counting from address ACL[4].ADDR. Writing a '0' has no effect.    |
| ACL[4].PERM    | 0x848  | Access permissions for region 4 as defined by start address ACL[4].ADDR and size ACL[4].SIZE |
| ACL[4].UNUSED0 | 0x84C  | Reserved   |

| Register       | Offset | Description  |
|----------------|--------|--|
| ACL[5].ADDR    | 0x850  | Start address of region to protect. The start address must be word-aligned.                  |
| ACL[5].SIZE    | 0x854  | Size of region to protect counting from address ACL[5].ADDR. Writing a '0' has no effect.    |
| ACL[5].PERM    | 0x858  | Access permissions for region 5 as defined by start address ACL[5].ADDR and size ACL[5].SIZE |
| ACL[5].UNUSED0 | 0x85C  | Reserved   |
| ACL[6].ADDR    | 0x860  | Start address of region to protect. The start address must be word-aligned.                  |
| ACL[6].SIZE    | 0x864  | Size of region to protect counting from address ACL[6].ADDR. Writing a '0' has no effect.    |
| ACL[6].PERM    | 0x868  | Access permissions for region 6 as defined by start address ACL[6].ADDR and size ACL[6].SIZE |
| ACL[6].UNUSED0 | 0x86C  | Reserved   |
| ACL[7].ADDR    | 0x870  | Start address of region to protect. The start address must be word-aligned.                  |
| ACL[7].SIZE    | 0x874  | Size of region to protect counting from address ACL[7].ADDR. Writing a '0' has no effect.    |
| ACL[7].PERM    | 0x878  | Access permissions for region 7 as defined by start address ACL[7].ADDR and size ACL[7].SIZE |
| ACL[7].UNUSED0 | 0x87C  | Reserved   |

Table 28: Register overview

### 6.3.1.1 ACL[n].ADDR (n=0..7)

Address offset:  $0x800 + (n \times 0x10)$

Start address of region to protect. The start address must be word-aligned.

This register can only be written once.

| Bit number       | 31         | 30    | 29 | 28    | 27  | 26 | 25 | 24 | 23 | 22 | 21 | 20 | 19 | 18 | 17 | 16 | 15 | 14 | 13 | 12 | 11 | 10 | 9 | 8 | 7 | 6 | 5 | 4 | 3 | 2 | 1 | 0 |
|------------------|------------|-------|----|-------|---|----|----|----|----|----|----|----|----|----|----|----|----|----|----|----|----|----|---|---|---|---|---|---|---|---|---|---|
| ID               | A          | A     | A  | A     | A   | A  | A  | A  | A  | A  | A  | A  | A  | A  | A  | A  | A  | A  | A  | A  | A  | A  | A | A | A | A | A | A | A | A | A | A |
| Reset 0x00000000 | 0          | 0     | 0  | 0     | 0   | 0  | 0  | 0  | 0  | 0  | 0  | 0  | 0  | 0  | 0  | 0  | 0  | 0  | 0  | 0  | 0  | 0  | 0 | 0 | 0 | 0 | 0 | 0 | 0 | 0 | 0 |   |
| ID               | Acce Field | Value | ID | Value | Description   |    |    |    |    |    |    |    |    |    |    |    |    |    |    |    |    |    |   |   |   |   |   |   |   |   |   |   |
| A                | RW1ADDR    |       |    |       | Start address of flash region n. The start address must point to a flash page boundary. |    |    |    |    |    |    |    |    |    |    |    |    |    |    |    |    |    |   |   |   |   |   |   |   |   |   |   |

### 6.3.1.2 ACL[n].SIZE (n=0..7)

Address offset:  $0x804 + (n \times 0x10)$

Size of region to protect counting from address ACL[n].ADDR. Writing a '0' has no effect.

This register can only be written once.

| Bit number       | 31         | 30    | 29 | 28    | 27  | 26 | 25 | 24 | 23 | 22 | 21 | 20 | 19 | 18 | 17 | 16 | 15 | 14 | 13 | 12 | 11 | 10 | 9 | 8 | 7 | 6 | 5 | 4 | 3 | 2 | 1 | 0 |
|------------------|------------|-------|----|-------|---|----|----|----|----|----|----|----|----|----|----|----|----|----|----|----|----|----|---|---|---|---|---|---|---|---|---|---|
| ID               | A          | A     | A  | A     | A   | A  | A  | A  | A  | A  | A  | A  | A  | A  | A  | A  | A  | A  | A  | A  | A  | A  | A | A | A | A | A | A | A | A | A |   |
| Reset 0x00000000 | 0          | 0     | 0  | 0     | 0   | 0  | 0  | 0  | 0  | 0  | 0  | 0  | 0  | 0  | 0  | 0  | 0  | 0  | 0  | 0  | 0  | 0  | 0 | 0 | 0 | 0 | 0 | 0 | 0 | 0 | 0 |   |
| ID               | Acce Field | Value | ID | Value | Description   |    |    |    |    |    |    |    |    |    |    |    |    |    |    |    |    |    |   |   |   |   |   |   |   |   |   |   |
| A                | RW1SIZE    |       |    |       | Size of flash region n in bytes. Must be a multiple of the flash page size. |    |    |    |    |    |    |    |    |    |    |    |    |    |    |    |    |    |   |   |   |   |   |   |   |   |   |   |

### 6.3.1.3 ACL[n].PERM (n=0..7)

Address offset:  $0x808 + (n \times 0x10)$

Access permissions for region n as defined by start address ACL[n].ADDR and size ACL[n].SIZE

This register can only be written once.

| Bit number       |            | 31 30 29 28 27 26 25 24 23 22 21 20 19 18 17 16 15 14 13 12 11 10 9 8 7 6 5 4 3 2 1 0 |       |  |  |  |  |  |  |  |  |  |  |  |  |  |  |  |  |  |  |  |  |  |  |  |  |  |  |  |  |   |   |
|------------------|------------|---|-------|--|--|--|--|--|--|--|--|--|--|--|--|--|--|--|--|--|--|--|--|--|--|--|--|--|--|--|--|---|---|
| ID               |            |   |       |  |  |  |  |  |  |  |  |  |  |  |  |  |  |  |  |  |  |  |  |  |  |  |  |  |  |  |  | C | B |
| Reset 0x00000000 |            | 0           |       |  |  |  |  |  |  |  |  |  |  |  |  |  |  |  |  |  |  |  |  |  |  |  |  |  |  |  |  |   |   |
| ID               | Acce Field | Value ID  | Value | Description  |  |  |  |  |  |  |  |  |  |  |  |  |  |  |  |  |  |  |  |  |  |  |  |  |  |  |  |   |   |
| B                | RW1 WRITE  |   |       | Configure write and erase permissions for region n. Writing a '0' has no effect. |  |  |  |  |  |  |  |  |  |  |  |  |  |  |  |  |  |  |  |  |  |  |  |  |  |  |  |   |   |
|                  |            | Enable  | 0     | Allow write and erase instructions to region n.                                  |  |  |  |  |  |  |  |  |  |  |  |  |  |  |  |  |  |  |  |  |  |  |  |  |  |  |  |   |   |
|                  |            | Disable   | 1     | Block write and erase instructions to region n.                                  |  |  |  |  |  |  |  |  |  |  |  |  |  |  |  |  |  |  |  |  |  |  |  |  |  |  |  |   |   |
| C                | RW1 READ   |   |       | Configure read permissions for region n. Writing a '0' has no effect.            |  |  |  |  |  |  |  |  |  |  |  |  |  |  |  |  |  |  |  |  |  |  |  |  |  |  |  |   |   |
|                  |            | Enable  | 0     | Allow read instructions to region n.   |  |  |  |  |  |  |  |  |  |  |  |  |  |  |  |  |  |  |  |  |  |  |  |  |  |  |  |   |   |
|                  |            | Disable   | 1     | Block read instructions to region n.   |  |  |  |  |  |  |  |  |  |  |  |  |  |  |  |  |  |  |  |  |  |  |  |  |  |  |  |   |   |

## 6.4 CCM — AES CCM mode encryption

Cipher block chaining - message authentication code (CCM) mode is an authenticated encryption algorithm designed to provide both authentication and confidentiality during data transfer. CCM combines counter mode encryption and CBC-MAC authentication. The CCM terminology "Message authentication code (MAC)" is called the "Message integrity check (MIC)" in *Bluetooth* terminology and also in this document.

The CCM block generates an encrypted keystream that is applied to input data using the XOR operation and generates the four byte MIC field in one operation. CCM and RADIO can be configured to work synchronously. CCM will encrypt in time for transmission and decrypt after receiving bytes into memory from the radio. All operations can complete within the packet RX or TX time. CCM on this device is implemented according to *Bluetooth* requirements and the algorithm as defined in IETF [RFC3610](#), and depends on the AES-128 block cipher. A description of the CCM algorithm can also be found in [NIST Special Publication 800-38C](#). The *Bluetooth* specification describes the configuration of counter mode blocks and encryption blocks to implement compliant encryption for Bluetooth Low Energy.

The CCM block uses EasyDMA to load key counter mode blocks (including the nonce required), and to read/write plain text and cipher text.

The AES CCM peripheral supports three operations: keystream generation, packet encryption, and packet decryption. These operations are performed in compliance with the *Bluetooth* AES CCM 128 bit block encryption, see *Bluetooth Core specification Version 4.0*.

The following figure illustrates keystream generation followed by encryption or decryption. The shortcut is optional.

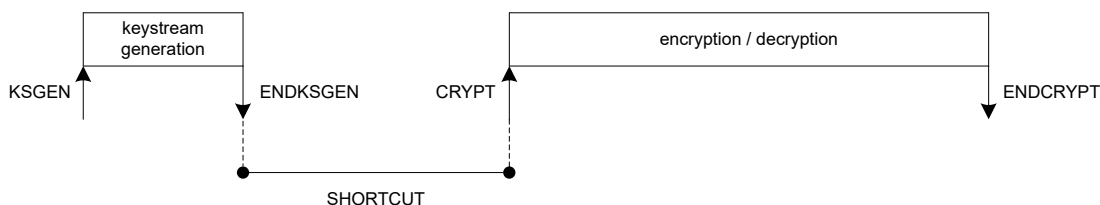


Figure 31: Keystream generation

### 6.4.1 Keystream generation

A new keystream needs to be generated before a new packet encryption or packet decryption operation can start.

A keystream is generated by triggering the KSGEN task. An ENDKSGEN event is generated after the keystream has been generated.

Keystream generation, packet encryption, and packet decryption operations utilize the configuration specified in the data structure pointed to by [CNFPTR](#) on page 124. It is necessary to configure this pointer and its underlying data structure, and register [MODE](#) on page 124 before the KSGEN task is triggered.

The keystream will be stored in the AES CCM peripheral's temporary memory area, specified by the [SCRATCHPTR](#) on page 125, where it will be used in subsequent encryption and decryption operations.

For default length packets (`MODE.LENGTH = Default`), the size of the generated keystream is 27 bytes. When using extended length packets (`MODE.LENGTH = Extended`), register [MAXPACKETSIZE](#) on page 125 specifies the length of the keystream to be generated. The length of the generated keystream must be greater or equal to the length of the subsequent packet payload to be encrypted or decrypted. The maximum length of the keystream in extended mode is 251 bytes, which means that the maximum packet payload size is 251.

If a shortcut is used between the `ENDKSGEN` event and `CRYPT` task, pointer [INPTR](#) on page 124 and the pointers [OUTPTR](#) on page 125 must also be configured before the `KSGEN` task is triggered.

## 6.4.2 Encryption

The AES CCM peripheral is able to read an unencrypted packet, encrypt it, and append a four byte MIC field to the packet.

During packet encryption, the AES CCM peripheral performs the following:

- Reads the unencrypted packet located in RAM address specified in the [INPTR](#) pointer
- Encrypts the packet
- Appends a four byte long Message Integrity Check (MIC) field to the packet

Encryption is started by triggering the `CRYPT` task with register [MODE](#) on page 124 set to `ENCRYPTION`. An `ENDCRYPT` event is generated when packet encryption is completed.

The AES CCM peripheral will also modify the length field of the packet to adjust for the appended MIC field. It adds four bytes to the length and stores the resulting packet in RAM at the address specified in pointer [OUTPTR](#) on page 125, see [Encryption](#) on page 115.

Empty packets (length field is set to 0) will not be encrypted but instead moved unmodified through the AES CCM peripheral.

AES CCM supports different widths of the `LENGTH` field in the data structure for encrypted packets. This is configured in register [MODE](#) on page 124.

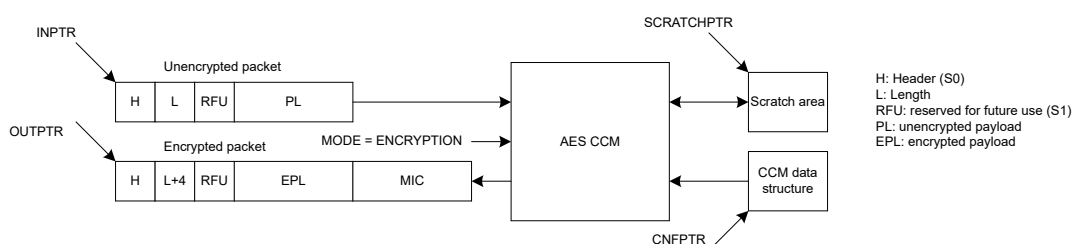


Figure 32: Encryption

## 6.4.3 Decryption

The AES CCM peripheral is able to read an encrypted packet, decrypt it, authenticate the MIC field, and generate an appropriate MIC status.

During packet decryption, the AES CCM peripheral performs the following:

- Reads the encrypted packet located in RAM at the address specified in the [INPTR](#) pointer
- Decrypts the packet

- Authenticates the packet's MIC field
- Generates the appropriate MIC status

The packet header (S0) and payload are included in the MIC authentication.

Decryption is started by triggering the CRYPT task with register [MODE](#) on page 124 set to DECRYPTION. An ENDCRYPT event is generated when packet decryption is completed.

The AES CCM peripheral modifies the length field of the packet to adjust for the MIC field. It subtracts four bytes from the length and stores the decrypted packet in RAM at the address specified in the pointer OUTPTR, see [Decryption](#) on page 116.

CCM is only able to decrypt packet payloads that are at least five bytes long (one byte or more encrypted payload (EPL) and four bytes of MIC). CCM will therefore generate a MIC error for packets where the length field is set to 1, 2, 3, or 4.

Empty packets (length field is set to 0) will not be decrypted but instead moved unmodified through the AES CCM peripheral. These packets will always pass the MIC check.

CCM supports different widths of the LENGTH field in the data structure for decrypted packets. This is configured in register [MODE](#) on page 124.

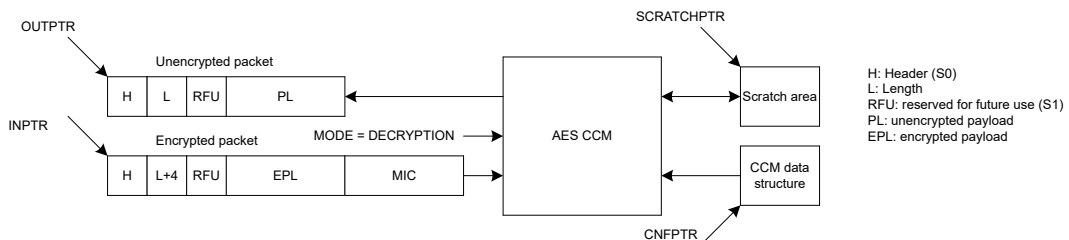


Figure 33: Decryption

#### 6.4.4 AES CCM and RADIO concurrent operation

The CCM peripheral is able to encrypt/decrypt data synchronously to data being transmitted or received on the radio.

In order for CCM to run synchronously with the radio, the data rate setting in register [MODE](#) on page 124 needs to match the radio data rate. The settings in this register apply whenever either the KSGEN or CRYPT tasks are triggered.

The data rate setting of register [MODE](#) on page 124 can also be overridden on-the-fly during an ongoing encrypt/decrypt operation by the contents of register [RATEOVERRIDE](#) on page 126. The data rate setting in this register applies whenever the RATEOVERRIDE task is triggered. This feature can be useful in cases where the radio data rate is changed during an ongoing packet transaction.

#### 6.4.5 Encrypting packets on-the-fly in radio transmit mode

When the AES CCM peripheral encrypts a packet on-the-fly while RADIO is transmitting it, RADIO must read the encrypted packet from the same memory location that the AES CCM peripheral is writing to.

The [OUTPTR](#) on page 125 pointer in the AES CCM must point to the same memory location as the [PACKETPTR](#) pointer in the radio, see [Configuration of on-the-fly encryption](#) on page 117.



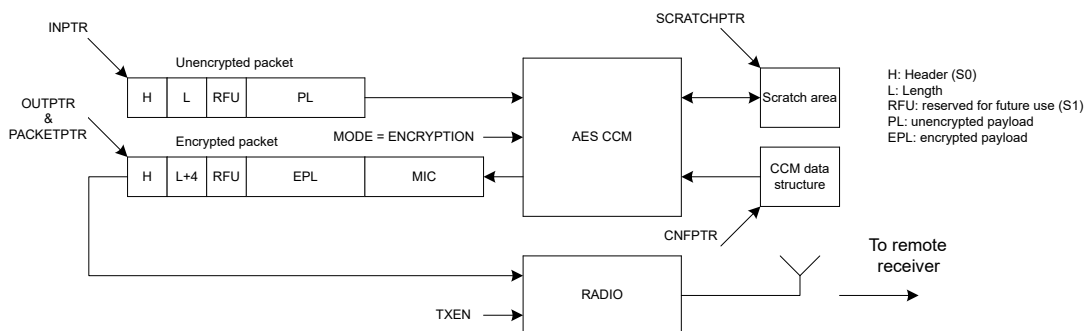


Figure 34: Configuration of on-the-fly encryption

In order to match RADIO's timing, the KSGEN task must be triggered early enough to allow the keystream generation to complete before packet encryption begins.

For short packets (MODE.LENGTH = Default), the KSGEN task must be triggered before or at the same time as the START task in RADIO is triggered. In addition, the shortcut between the ENDKSGEN event and the CRYPT task must be enabled. This use-case is illustrated in [On-the-fly encryption of short packets \(MODE.LENGTH = Default\) using a PPI connection](#) on page 117. It uses a PPI connection between the READY event in RADIO and the KSGEN task in the AES CCM peripheral.

For long packets (MODE.LENGTH = Extended), the keystream generation needs to start earlier, such as when the TXEN task in RADIO is triggered.

Refer to [Timing specification](#) on page 126 for information about the time needed for generating a keystream.

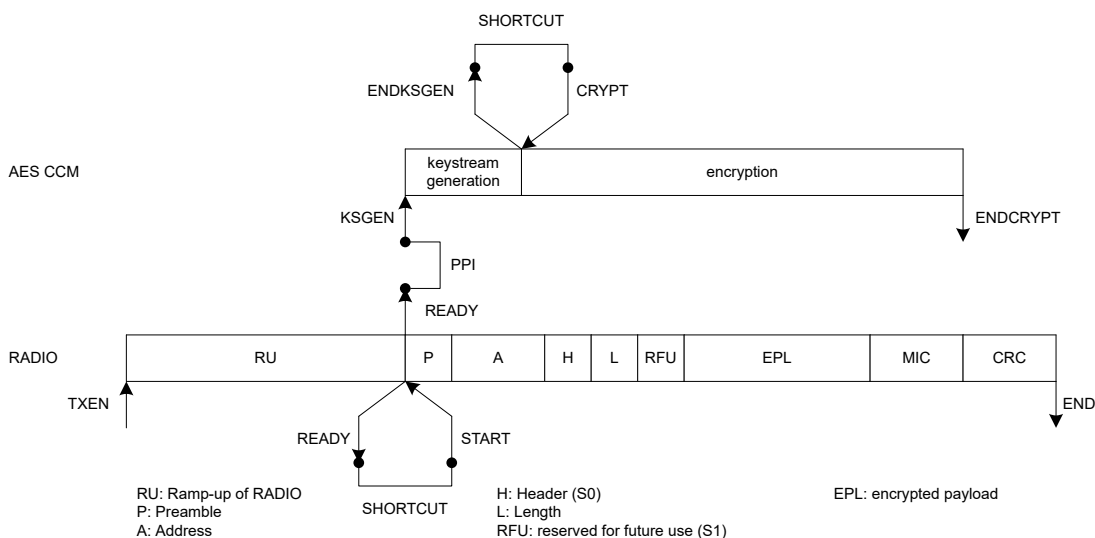


Figure 35: On-the-fly encryption of short packets (MODE.LENGTH = Default) using a PPI connection

### 6.4.6 Decrypting packets on-the-fly in RADIO receive mode

When the AES CCM peripheral decrypts a packet on-the-fly while RADIO is receiving it, the AES CCM peripheral must read the encrypted packet from the same memory location that RADIO is writing to.

The INPTR on page 124 pointer in the AES CCM must point to the same memory location as the PACKETPTR pointer in RADIO, see [Configuration of on-the-fly decryption](#) on page 118.

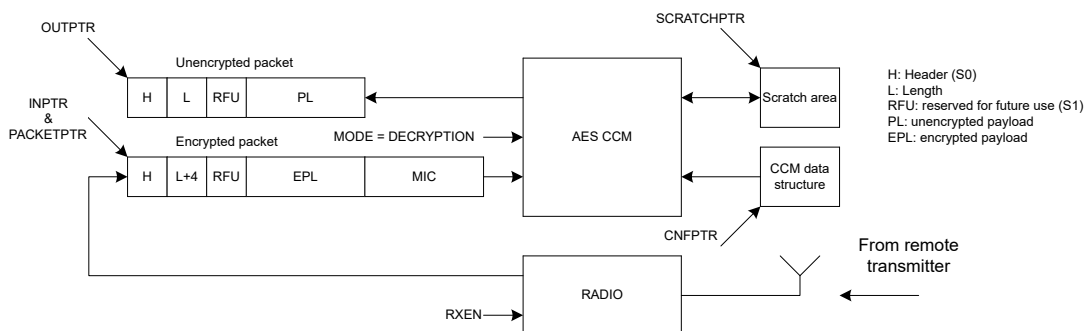


Figure 36: Configuration of on-the-fly decryption

In order to match RADIO's timing, the KSGEN task must be triggered early enough to allow the keystream generation to complete before the decryption of the packet shall start.

For short packets (MODE.LENGTH = Default) the KSGEN task must be triggered no later than when the START task in RADIO is triggered. In addition, the CRYPT task must be triggered no earlier than when the ADDRESS event is generated by RADIO.

If the CRYPT task is triggered exactly at the same time as the ADDRESS event is generated by RADIO, the AES CCM peripheral will guarantee that the decryption is completed no later than when the END event in RADIO is generated.

This use-case is illustrated in [On-the-fly decryption of short packets \(MODE.LENGTH = Default\) using a PPI connection](#) on page 118 using a PPI connection between the ADDRESS event in RADIO and the CRYPT task in the AES CCM peripheral. The KSGEN task is triggered from the READY event in RADIO through a PPI connection.

For long packets (MODE.LENGTH = Extended) the keystream generation will need to start even earlier, such as when the RXEN task in RADIO is triggered.

Refer to [Timing specification](#) on page 126 for information about the time needed for generating a keystream.

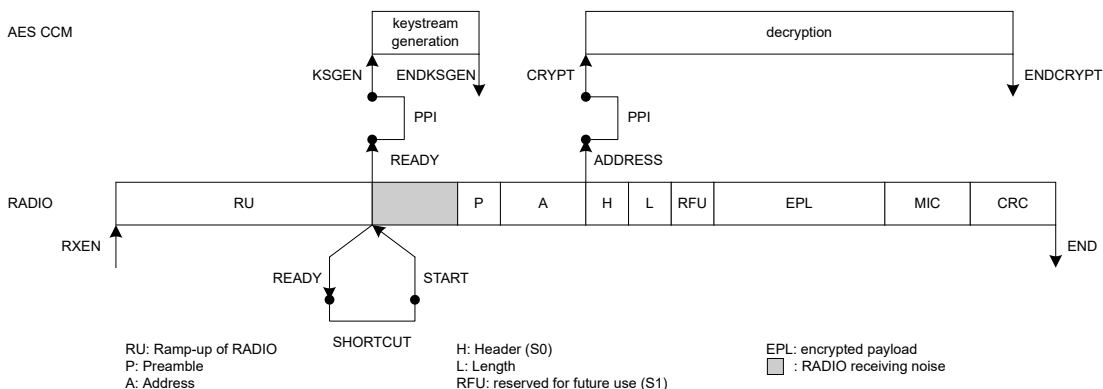


Figure 37: On-the-fly decryption of short packets (MODE.LENGTH = Default) using a PPI connection

### 6.4.7 CCM data structure

The CCM data structure is located in Data RAM at the memory location specified by the CNFPTR pointer register.

| Property | Address offset | Description  |
|----------|----------------|--|
| KEY      | 0              | 16 byte AES key  |
| PKTCTR   | 16             | Octet0 (LSO) of packet counter   |
|          | 17             | Octet1 of packet counter   |
|          | 18             | Octet2 of packet counter   |
|          | 19             | Octet3 of packet counter   |
|          | 20             | Bit 6 – Bit 0: Octet4 (7 most significant bits of packet counter, with Bit 6 being the most significant bit) Bit7: Ignored |
|          | 21             | Ignored  |
|          | 22             | Ignored  |
|          | 23             | Ignored  |
| IV       | 24             | Bit 0: Direction bit Bit 7 – Bit 1: Zero padded  |
|          | 25             | 8 byte initialization vector (IV) Octet0 (LSO) of IV, Octet1 of IV, ... , Octet7 (MSO) of IV                               |

Table 29: CCM data structure overview

The NONCE vector (as specified by the *Bluetooth* Core Specification) will be generated by hardware based on the information specified in the CCM data structure from [CCM data structure overview](#) on page 119 .

| Property | Address offset | Description                            |
|----------|----------------|--|
| HEADER   | 0              | Packet Header                          |
| LENGTH   | 1              | Number of bytes in unencrypted payload |
| RFU      | 2              | Reserved Future Use                    |
| PAYLOAD  | 3              | Unencrypted payload                    |

Table 30: Data structure for unencrypted packet

| Property | Address offset     | Description  |
|----------|--------------------|--|
| HEADER   | 0                  | Packet Header  |
| LENGTH   | 1                  | Number of bytes in encrypted payload including length of MIC                   |
|          |                    | LENGTH will be 0 for empty packets since the MIC is not added to empty packets |
| RFU      | 2                  | Reserved Future Use  |
| PAYLOAD  | 3                  | Encrypted payload  |
| MIC      | 3 + payload length | ENCRYPT: 4 bytes encrypted MIC   |
|          |                    | MIC is not added to empty packets  |

Table 31: Data structure for encrypted packet

## 6.4.8 EasyDMA and ERROR event

CCM implements an EasyDMA mechanism for reading and writing to RAM.

When the CPU and EasyDMA enabled peripherals access the same RAM block at the same time, increased bus collisions might disrupt on-the-fly encryption. This will generate an ERROR event.

EasyDMA stops accessing RAM when the ENDKSGEN and ENDCRYPT events are generated.

If the CNFPTR, SCRATCHPTR, INPTR, and the OUTPTR are not pointing to the Data RAM region, an EasyDMA transfer may result in a HardFault or RAM corruption. See [Memory](#) on page 20 for more information about the different memory regions.

## 6.4.9 Registers

| Base address | Peripheral | Instance | Description   | Configuration |
|--------------|------------|----------|---|---------------|
| 0x4000F000   | CCM        | CCM      | AES counter with CBC-MAC (CCM) mode<br>block encryption |               |

Table 32: Instances

| Register           | Offset | Description   |            |
|--------------------|--------|---|------------|
| TASKS_KSGEN        | 0x000  | Start generation of keystream. This operation will stop by itself when completed.   |            |
| TASKS_CRYPT        | 0x004  | Start encryption/decryption. This operation will stop by itself when completed.   |            |
| TASKS_STOP         | 0x008  | Stop encryption/decryption  |            |
| TASKS_RATEOVERRIDE | 0x00C  | Override DATARATE setting in MODE register with the contents of the RATEOVERRIDE register for any ongoing encryption/decryption |            |
| EVENTS_ENDKSGEN    | 0x100  | Keystream generation complete   |            |
| EVENTS_ENDCRYPT    | 0x104  | Encrypt/decrypt complete  |            |
| EVENTS_ERROR       | 0x108  | CCM error event   | Deprecated |
| SHORTS             | 0x200  | Shortcuts between local events and tasks  |            |
| INTENSET           | 0x304  | Enable interrupt  |            |
| INTENCLR           | 0x308  | Disable interrupt   |            |
| MICSTATUS          | 0x400  | MIC check result  |            |
| ENABLE             | 0x500  | Enable  |            |
| MODE               | 0x504  | Operation mode  |            |
| CNFPTR             | 0x508  | Pointer to data structure holding the AES key and the NONCE vector  |            |
| INPTR              | 0x50C  | Input pointer   |            |
| OUTPTR             | 0x510  | Output pointer  |            |
| SCRATCHPTR         | 0x514  | Pointer to data area used for temporary storage   |            |
| MAXPACKETSIZE      | 0x518  | Length of keystream generated when MODE.LENGTH = Extended   |            |
| RATEOVERRIDE       | 0x51C  | Data rate override setting.   |            |

Table 33: Register overview

### 6.4.9.1 TASKS\_KSGEN

Address offset: 0x000

Start generation of keystream. This operation will stop by itself when completed.

| Bit number       | 31 30 29 28 27 26 25 24 23 22 21 20 19 18 17 16 15 14 13 12 11 10 9 8 7 6 5 4 3 2 1 0 |             |         |    |       |   |  |  |  |  |  |  |  |  |  |  |  |  |  |  |  |  |  |  |  |  |  |  |  |  |  |
|------------------|---|-------------|---------|----|-------|---|--|--|--|--|--|--|--|--|--|--|--|--|--|--|--|--|--|--|--|--|--|--|--|--|--|
| ID               | A   |             |         |    |       |   |  |  |  |  |  |  |  |  |  |  |  |  |  |  |  |  |  |  |  |  |  |  |  |  |  |
| Reset 0x00000000 | 0                     |             |         |    |       |   |  |  |  |  |  |  |  |  |  |  |  |  |  |  |  |  |  |  |  |  |  |  |  |  |  |
| ID               | Acce  | Field       | Value   | ID | Value | Description   |  |  |  |  |  |  |  |  |  |  |  |  |  |  |  |  |  |  |  |  |  |  |  |  |  |
| A                | W   | TASKS_KSGEN |         |    |       | Start generation of keystream. This operation will stop by itself when completed. |  |  |  |  |  |  |  |  |  |  |  |  |  |  |  |  |  |  |  |  |  |  |  |  |  |
|                  |   |             | Trigger | 1  |       | Trigger task  |  |  |  |  |  |  |  |  |  |  |  |  |  |  |  |  |  |  |  |  |  |  |  |  |  |

### 6.4.9.2 TASKS\_CRYPT

Address offset: 0x004

Start encryption/decryption. This operation will stop by itself when completed.

| Bit number | 31         | 30          | 29    | 28  | 27 | 26 | 25 | 24 | 23 | 22 | 21 | 20 | 19 | 18 | 17 | 16 | 15 | 14 | 13 | 12 | 11 | 10 | 9 | 8 | 7 | 6 | 5 | 4 | 3 | 2 | 1 | 0 |   |
|------------|------------|-------------|-------|---|----|----|----|----|----|----|----|----|----|----|----|----|----|----|----|----|----|----|---|---|---|---|---|---|---|---|---|---|---|
| ID         |            |             |       |   |    |    |    |    |    |    |    |    |    |    |    |    |    |    |    |    |    |    |   |   |   |   |   |   |   |   |   | A |   |
| Reset      | 0x00000000 |             |       |   |    |    |    |    |    |    |    |    |    |    |    |    |    |    |    |    |    |    |   |   |   |   |   |   |   |   |   |   |   |
| 0          | 0          | 0           | 0     | 0   | 0  | 0  | 0  | 0  | 0  | 0  | 0  | 0  | 0  | 0  | 0  | 0  | 0  | 0  | 0  | 0  | 0  | 0  | 0 | 0 | 0 | 0 | 0 | 0 | 0 | 0 | 0 | 0 | 0 |
| ID         | Acce Field | Value ID    | Value | Description   |    |    |    |    |    |    |    |    |    |    |    |    |    |    |    |    |    |    |   |   |   |   |   |   |   |   |   |   |   |
| A          | W          | TASKS_CRYPT |       | Start encryption/decryption. This operation will stop by itself when completed. |    |    |    |    |    |    |    |    |    |    |    |    |    |    |    |    |    |    |   |   |   |   |   |   |   |   |   |   |   |
|            |            | Trigger     | 1     | Trigger task  |    |    |    |    |    |    |    |    |    |    |    |    |    |    |    |    |    |    |   |   |   |   |   |   |   |   |   |   |   |

### 6.4.9.3 TASKS\_STOP

Address offset: 0x008

Stop encryption/decryption

| Bit number | 31         | 30         | 29    | 28                         | 27 | 26 | 25 | 24 | 23 | 22 | 21 | 20 | 19 | 18 | 17 | 16 | 15 | 14 | 13 | 12 | 11 | 10 | 9 | 8 | 7 | 6 | 5 | 4 | 3 | 2 | 1 | 0 |
|------------|------------|------------|-------|----------------------------|----|----|----|----|----|----|----|----|----|----|----|----|----|----|----|----|----|----|---|---|---|---|---|---|---|---|---|---|
| ID         |            |            |       |                            |    |    |    |    |    |    |    |    |    |    |    |    |    |    |    |    |    |    |   |   |   |   |   |   |   |   |   | A |
| Reset      | 0x00000000 |            |       |                            |    |    |    |    |    |    |    |    |    |    |    |    |    |    |    |    |    |    |   |   |   |   |   |   |   |   |   |   |
| 0          | 0          | 0          | 0     | 0                          | 0  | 0  | 0  | 0  | 0  | 0  | 0  | 0  | 0  | 0  | 0  | 0  | 0  | 0  | 0  | 0  | 0  | 0  | 0 | 0 | 0 | 0 | 0 | 0 | 0 | 0 | 0 | 0 |
| ID         | Acce Field | Value ID   | Value | Description                |    |    |    |    |    |    |    |    |    |    |    |    |    |    |    |    |    |    |   |   |   |   |   |   |   |   |   |   |
| A          | W          | TASKS_STOP |       | Stop encryption/decryption |    |    |    |    |    |    |    |    |    |    |    |    |    |    |    |    |    |    |   |   |   |   |   |   |   |   |   |   |
|            |            | Trigger    | 1     | Trigger task               |    |    |    |    |    |    |    |    |    |    |    |    |    |    |    |    |    |    |   |   |   |   |   |   |   |   |   |   |

### 6.4.9.4 TASKS\_RATEOVERRIDE

Address offset: 0x00C

Override DATARATE setting in MODE register with the contents of the RATEOVERRIDE register for any ongoing encryption/decryption

| Bit number | 31         | 30                 | 29    | 28  | 27 | 26 | 25 | 24 | 23 | 22 | 21 | 20 | 19 | 18 | 17 | 16 | 15 | 14 | 13 | 12 | 11 | 10 | 9 | 8 | 7 | 6 | 5 | 4 | 3 | 2 | 1 | 0 |
|------------|------------|--------------------|-------|---|----|----|----|----|----|----|----|----|----|----|----|----|----|----|----|----|----|----|---|---|---|---|---|---|---|---|---|---|
| ID         |            |                    |       |   |    |    |    |    |    |    |    |    |    |    |    |    |    |    |    |    |    |    |   |   |   |   |   |   |   |   |   | A |
| Reset      | 0x00000000 |                    |       |   |    |    |    |    |    |    |    |    |    |    |    |    |    |    |    |    |    |    |   |   |   |   |   |   |   |   |   |   |
| 0          | 0          | 0                  | 0     | 0   | 0  | 0  | 0  | 0  | 0  | 0  | 0  | 0  | 0  | 0  | 0  | 0  | 0  | 0  | 0  | 0  | 0  | 0  | 0 | 0 | 0 | 0 | 0 | 0 | 0 | 0 | 0 | 0 |
| ID         | Acce Field | Value ID           | Value | Description   |    |    |    |    |    |    |    |    |    |    |    |    |    |    |    |    |    |    |   |   |   |   |   |   |   |   |   |   |
| A          | W          | TASKS_RATEOVERRIDE |       | Override DATARATE setting in MODE register with the contents of the RATEOVERRIDE register for any ongoing encryption/decryption |    |    |    |    |    |    |    |    |    |    |    |    |    |    |    |    |    |    |   |   |   |   |   |   |   |   |   |   |
|            |            | Trigger            | 1     | Trigger task  |    |    |    |    |    |    |    |    |    |    |    |    |    |    |    |    |    |    |   |   |   |   |   |   |   |   |   |   |

### 6.4.9.5 EVENTS\_ENDKSGEN

Address offset: 0x100

Keystream generation complete

| Bit number | 31         | 30              | 29    | 28                            | 27 | 26 | 25 | 24 | 23 | 22 | 21 | 20 | 19 | 18 | 17 | 16 | 15 | 14 | 13 | 12 | 11 | 10 | 9 | 8 | 7 | 6 | 5 | 4 | 3 | 2 | 1 | 0 |
|------------|------------|-----------------|-------|-------------------------------|----|----|----|----|----|----|----|----|----|----|----|----|----|----|----|----|----|----|---|---|---|---|---|---|---|---|---|---|
| ID         |            |                 |       |                               |    |    |    |    |    |    |    |    |    |    |    |    |    |    |    |    |    |    |   |   |   |   |   |   |   |   |   | A |
| Reset      | 0x00000000 |                 |       |                               |    |    |    |    |    |    |    |    |    |    |    |    |    |    |    |    |    |    |   |   |   |   |   |   |   |   |   |   |
| 0          | 0          | 0               | 0     | 0                             | 0  | 0  | 0  | 0  | 0  | 0  | 0  | 0  | 0  | 0  | 0  | 0  | 0  | 0  | 0  | 0  | 0  | 0  | 0 | 0 | 0 | 0 | 0 | 0 | 0 | 0 | 0 | 0 |
| ID         | Acce Field | Value ID        | Value | Description                   |    |    |    |    |    |    |    |    |    |    |    |    |    |    |    |    |    |    |   |   |   |   |   |   |   |   |   |   |
| A          | RW         | EVENTS_ENDKSGEN |       | Keystream generation complete |    |    |    |    |    |    |    |    |    |    |    |    |    |    |    |    |    |    |   |   |   |   |   |   |   |   |   |   |
|            |            | NotGenerated    | 0     | Event not generated           |    |    |    |    |    |    |    |    |    |    |    |    |    |    |    |    |    |    |   |   |   |   |   |   |   |   |   |   |
|            |            | Generated       | 1     | Event generated               |    |    |    |    |    |    |    |    |    |    |    |    |    |    |    |    |    |    |   |   |   |   |   |   |   |   |   |   |

### 6.4.9.6 EVENTS\_ENDCRYPT

Address offset: 0x104

Encrypt/decrypt complete

| Bit number       | 31  | 30           | 29    | 28                       | 27 | 26 | 25 | 24 | 23 | 22 | 21 | 20 | 19 | 18 | 17 | 16 | 15 | 14 | 13 | 12 | 11 | 10 | 9 | 8 | 7 | 6 | 5 | 4 | 3 | 2 | 1 | 0 |
|------------------|---|--------------|-------|--------------------------|----|----|----|----|----|----|----|----|----|----|----|----|----|----|----|----|----|----|---|---|---|---|---|---|---|---|---|---|
| ID               |   |              |       |                          |    |    |    |    |    |    |    |    |    |    |    |    |    |    |    |    |    |    |   |   |   |   |   |   |   |   |   | A |
| Reset 0x00000000 | 0 |              |       |                          |    |    |    |    |    |    |    |    |    |    |    |    |    |    |    |    |    |    |   |   |   |   |   |   |   |   |   |   |
| ID               | Acce Field  | Value ID     | Value | Description              |    |    |    |    |    |    |    |    |    |    |    |    |    |    |    |    |    |    |   |   |   |   |   |   |   |   |   |   |
| A                | RW EVENTS_ENDCRYPT  |              |       | Encrypt/decrypt complete |    |    |    |    |    |    |    |    |    |    |    |    |    |    |    |    |    |    |   |   |   |   |   |   |   |   |   |   |
|                  |   | NotGenerated | 0     | Event not generated      |    |    |    |    |    |    |    |    |    |    |    |    |    |    |    |    |    |    |   |   |   |   |   |   |   |   |   |   |
|                  |   | Generated    | 1     | Event generated          |    |    |    |    |    |    |    |    |    |    |    |    |    |    |    |    |    |    |   |   |   |   |   |   |   |   |   |   |

### 6.4.9.7 EVENTS\_ERROR ( Deprecated )

Address offset: 0x108

CCM error event

| Bit number       | 31  | 30           | 29    | 28                  | 27 | 26 | 25 | 24 | 23 | 22 | 21 | 20 | 19 | 18 | 17 | 16 | 15 | 14 | 13 | 12 | 11 | 10 | 9 | 8 | 7 | 6 | 5 | 4 | 3 | 2 | 1 | 0 |
|------------------|---|--------------|-------|---------------------|----|----|----|----|----|----|----|----|----|----|----|----|----|----|----|----|----|----|---|---|---|---|---|---|---|---|---|---|
| ID               |   |              |       |                     |    |    |    |    |    |    |    |    |    |    |    |    |    |    |    |    |    |    |   |   |   |   |   |   |   |   |   | A |
| Reset 0x00000000 | 0 |              |       |                     |    |    |    |    |    |    |    |    |    |    |    |    |    |    |    |    |    |    |   |   |   |   |   |   |   |   |   |   |
| ID               | Acce Field  | Value ID     | Value | Description         |    |    |    |    |    |    |    |    |    |    |    |    |    |    |    |    |    |    |   |   |   |   |   |   |   |   |   |   |
| A                | RW EVENTS_ERROR   |              |       | CCM error event     |    |    |    |    |    |    |    |    |    |    |    |    |    |    |    |    |    |    |   |   |   |   |   |   |   |   |   |   |
|                  |   | NotGenerated | 0     | Event not generated |    |    |    |    |    |    |    |    |    |    |    |    |    |    |    |    |    |    |   |   |   |   |   |   |   |   |   |   |
|                  |   | Generated    | 1     | Event generated     |    |    |    |    |    |    |    |    |    |    |    |    |    |    |    |    |    |    |   |   |   |   |   |   |   |   |   |   |

### 6.4.9.8 SHORTS

Address offset: 0x200

Shortcuts between local events and tasks

| Bit number       | 31  | 30       | 29    | 28   | 27 | 26 | 25 | 24 | 23 | 22 | 21 | 20 | 19 | 18 | 17 | 16 | 15 | 14 | 13 | 12 | 11 | 10 | 9 | 8 | 7 | 6 | 5 | 4 | 3 | 2 | 1 | 0 |
|------------------|---|----------|-------|--|----|----|----|----|----|----|----|----|----|----|----|----|----|----|----|----|----|----|---|---|---|---|---|---|---|---|---|---|
| ID               |   |          |       |  |    |    |    |    |    |    |    |    |    |    |    |    |    |    |    |    |    |    |   |   |   |   |   |   |   |   |   | A |
| Reset 0x00000000 | 0 |          |       |  |    |    |    |    |    |    |    |    |    |    |    |    |    |    |    |    |    |    |   |   |   |   |   |   |   |   |   |   |
| ID               | Acce Field  | Value ID | Value | Description                                    |    |    |    |    |    |    |    |    |    |    |    |    |    |    |    |    |    |    |   |   |   |   |   |   |   |   |   |   |
| A                | RW ENDKSGEN_CRYPT   |          |       | Shortcut between event ENDKSGEN and task CRYPT |    |    |    |    |    |    |    |    |    |    |    |    |    |    |    |    |    |    |   |   |   |   |   |   |   |   |   |   |
|                  |   | Disabled | 0     | Disable shortcut                               |    |    |    |    |    |    |    |    |    |    |    |    |    |    |    |    |    |    |   |   |   |   |   |   |   |   |   |   |
|                  |   | Enabled  | 1     | Enable shortcut                                |    |    |    |    |    |    |    |    |    |    |    |    |    |    |    |    |    |    |   |   |   |   |   |   |   |   |   |   |

### 6.4.9.9 INTENSET

Address offset: 0x304

Enable interrupt

| Bit number       | 31  | 30       | 29    | 28   | 27 | 26 | 25 | 24 | 23 | 22 | 21 | 20 | 19 | 18 | 17 | 16 | 15 | 14 | 13 | 12 | 11 | 10 | 9 | 8 | 7 | 6 | 5 | 4 | 3 | 2 | 1 | 0     |
|------------------|---|----------|-------|--|----|----|----|----|----|----|----|----|----|----|----|----|----|----|----|----|----|----|---|---|---|---|---|---|---|---|---|-------|
| ID               |   |          |       |  |    |    |    |    |    |    |    |    |    |    |    |    |    |    |    |    |    |    |   |   |   |   |   |   |   |   |   | C B A |
| Reset 0x00000000 | 0 |          |       |  |    |    |    |    |    |    |    |    |    |    |    |    |    |    |    |    |    |    |   |   |   |   |   |   |   |   |   |       |
| ID               | Acce Field  | Value ID | Value | Description                                      |    |    |    |    |    |    |    |    |    |    |    |    |    |    |    |    |    |    |   |   |   |   |   |   |   |   |   |       |
| A                | RW ENDKSGEN   |          |       | Write '1' to enable interrupt for event ENDKSGEN |    |    |    |    |    |    |    |    |    |    |    |    |    |    |    |    |    |    |   |   |   |   |   |   |   |   |   |       |
|                  |   | Set      | 1     | Enable   |    |    |    |    |    |    |    |    |    |    |    |    |    |    |    |    |    |    |   |   |   |   |   |   |   |   |   |       |
|                  |   | Disabled | 0     | Read: Disabled                                   |    |    |    |    |    |    |    |    |    |    |    |    |    |    |    |    |    |    |   |   |   |   |   |   |   |   |   |       |
|                  |   | Enabled  | 1     | Read: Enabled                                    |    |    |    |    |    |    |    |    |    |    |    |    |    |    |    |    |    |    |   |   |   |   |   |   |   |   |   |       |
| B                | RW ENDCRYPT   |          |       | Write '1' to enable interrupt for event ENDCRYPT |    |    |    |    |    |    |    |    |    |    |    |    |    |    |    |    |    |    |   |   |   |   |   |   |   |   |   |       |
|                  |   | Set      | 1     | Enable   |    |    |    |    |    |    |    |    |    |    |    |    |    |    |    |    |    |    |   |   |   |   |   |   |   |   |   |       |
|                  |   | Disabled | 0     | Read: Disabled                                   |    |    |    |    |    |    |    |    |    |    |    |    |    |    |    |    |    |    |   |   |   |   |   |   |   |   |   |       |
|                  |   | Enabled  | 1     | Read: Enabled                                    |    |    |    |    |    |    |    |    |    |    |    |    |    |    |    |    |    |    |   |   |   |   |   |   |   |   |   |       |
| C                | RW ERROR  |          |       | Write '1' to enable interrupt for event ERROR    |    |    |    |    |    |    |    |    |    |    |    |    |    |    |    |    |    |    |   |   |   |   |   |   |   |   |   |       |

| Bit number       | 31         | 30       | 29    | 28             | 27 | 26 | 25 | 24 | 23 | 22 | 21 | 20 | 19 | 18 | 17 | 16 | 15 | 14 | 13 | 12 | 11 | 10 | 9 | 8 | 7 | 6 | 5 | 4 | 3 | 2 | 1 | 0 |
|------------------|------------|----------|-------|----------------|----|----|----|----|----|----|----|----|----|----|----|----|----|----|----|----|----|----|---|---|---|---|---|---|---|---|---|---|
| ID               |            |          |       |                |    |    |    |    |    |    |    |    |    |    |    |    |    |    |    |    |    |    |   |   |   |   |   | C | B | A |   |   |
| Reset 0x00000000 | 0          | 0        | 0     | 0              | 0  | 0  | 0  | 0  | 0  | 0  | 0  | 0  | 0  | 0  | 0  | 0  | 0  | 0  | 0  | 0  | 0  | 0  | 0 | 0 | 0 | 0 | 0 | 0 | 0 | 0 | 0 |   |
| ID               | Acce Field | Value ID | Value | Description    |    |    |    |    |    |    |    |    |    |    |    |    |    |    |    |    |    |    |   |   |   |   |   |   |   |   |   |   |
|                  |            | Set      | 1     | Enable         |    |    |    |    |    |    |    |    |    |    |    |    |    |    |    |    |    |    |   |   |   |   |   |   |   |   |   |   |
|                  |            | Disabled | 0     | Read: Disabled |    |    |    |    |    |    |    |    |    |    |    |    |    |    |    |    |    |    |   |   |   |   |   |   |   |   |   |   |
|                  |            | Enabled  | 1     | Read: Enabled  |    |    |    |    |    |    |    |    |    |    |    |    |    |    |    |    |    |    |   |   |   |   |   |   |   |   |   |   |

### 6.4.9.10 INTENCLR

Address offset: 0x308

Disable interrupt

| Bit number       | 31         | 30       | 29       | 28  | 27             | 26 | 25 | 24 | 23 | 22 | 21 | 20 | 19 | 18 | 17 | 16 | 15 | 14 | 13 | 12 | 11 | 10 | 9 | 8 | 7 | 6 | 5 | 4 | 3 | 2 | 1 | 0 |
|------------------|------------|----------|----------|---|----------------|----|----|----|----|----|----|----|----|----|----|----|----|----|----|----|----|----|---|---|---|---|---|---|---|---|---|---|
| ID               |            |          |          |   |                |    |    |    |    |    |    |    |    |    |    |    |    |    |    |    |    |    |   |   |   |   |   | C | B | A |   |   |
| Reset 0x00000000 | 0          | 0        | 0        | 0   | 0              | 0  | 0  | 0  | 0  | 0  | 0  | 0  | 0  | 0  | 0  | 0  | 0  | 0  | 0  | 0  | 0  | 0  | 0 | 0 | 0 | 0 | 0 | 0 | 0 | 0 | 0 |   |
| ID               | Acce Field | Value ID | Value    | Description   |                |    |    |    |    |    |    |    |    |    |    |    |    |    |    |    |    |    |   |   |   |   |   |   |   |   |   |   |
| A                | RW         | ENDKSGEN |          | Write '1' to disable interrupt for event <a href="#">ENDKSGEN</a> |                |    |    |    |    |    |    |    |    |    |    |    |    |    |    |    |    |    |   |   |   |   |   |   |   |   |   |   |
|                  |            |          | Clear    | 1   | Disable        |    |    |    |    |    |    |    |    |    |    |    |    |    |    |    |    |    |   |   |   |   |   |   |   |   |   |   |
|                  |            |          | Disabled | 0   | Read: Disabled |    |    |    |    |    |    |    |    |    |    |    |    |    |    |    |    |    |   |   |   |   |   |   |   |   |   |   |
|                  |            | Enabled  | 1        | Read: Enabled   |                |    |    |    |    |    |    |    |    |    |    |    |    |    |    |    |    |    |   |   |   |   |   |   |   |   |   |   |
| B                | RW         | ENDCRYPT |          | Write '1' to disable interrupt for event <a href="#">ENDCRYPT</a> |                |    |    |    |    |    |    |    |    |    |    |    |    |    |    |    |    |    |   |   |   |   |   |   |   |   |   |   |
|                  |            |          | Clear    | 1   | Disable        |    |    |    |    |    |    |    |    |    |    |    |    |    |    |    |    |    |   |   |   |   |   |   |   |   |   |   |
|                  |            |          | Disabled | 0   | Read: Disabled |    |    |    |    |    |    |    |    |    |    |    |    |    |    |    |    |    |   |   |   |   |   |   |   |   |   |   |
|                  |            | Enabled  | 1        | Read: Enabled   |                |    |    |    |    |    |    |    |    |    |    |    |    |    |    |    |    |    |   |   |   |   |   |   |   |   |   |   |
| C                | RW         | ERROR    |          | Write '1' to disable interrupt for event <a href="#">ERROR</a>    |                |    |    |    |    |    |    |    |    |    |    |    |    |    |    |    |    |    |   |   |   |   |   |   |   |   |   |   |
|                  |            |          | Clear    | 1   | Disable        |    |    |    |    |    |    |    |    |    |    |    |    |    |    |    |    |    |   |   |   |   |   |   |   |   |   |   |
|                  |            |          | Disabled | 0   | Read: Disabled |    |    |    |    |    |    |    |    |    |    |    |    |    |    |    |    |    |   |   |   |   |   |   |   |   |   |   |
|                  |            | Enabled  | 1        | Read: Enabled   |                |    |    |    |    |    |    |    |    |    |    |    |    |    |    |    |    |    |   |   |   |   |   |   |   |   |   |   |

### 6.4.9.11 MICSTATUS

Address offset: 0x400

MIC check result

| Bit number       | 31         | 30        | 29          | 28   | 27               | 26 | 25 | 24 | 23 | 22 | 21 | 20 | 19 | 18 | 17 | 16 | 15 | 14 | 13 | 12 | 11 | 10 | 9 | 8 | 7 | 6 | 5 | 4 | 3 | 2 | 1 | 0 |
|------------------|------------|-----------|-------------|--|------------------|----|----|----|----|----|----|----|----|----|----|----|----|----|----|----|----|----|---|---|---|---|---|---|---|---|---|---|
| ID               |            |           |             |  |                  |    |    |    |    |    |    |    |    |    |    |    |    |    |    |    |    |    |   |   |   |   |   | A |   |   |   |   |
| Reset 0x00000000 | 0          | 0         | 0           | 0  | 0                | 0  | 0  | 0  | 0  | 0  | 0  | 0  | 0  | 0  | 0  | 0  | 0  | 0  | 0  | 0  | 0  | 0  | 0 | 0 | 0 | 0 | 0 | 0 | 0 | 0 | 0 |   |
| ID               | Acce Field | Value ID  | Value       | Description  |                  |    |    |    |    |    |    |    |    |    |    |    |    |    |    |    |    |    |   |   |   |   |   |   |   |   |   |   |
| A                | R          | MICSTATUS |             | The result of the MIC check performed during the previous decryption operation |                  |    |    |    |    |    |    |    |    |    |    |    |    |    |    |    |    |    |   |   |   |   |   |   |   |   |   |   |
|                  |            |           | CheckFailed | 0  | MIC check failed |    |    |    |    |    |    |    |    |    |    |    |    |    |    |    |    |    |   |   |   |   |   |   |   |   |   |   |
|                  |            |           | CheckPassed | 1  | MIC check passed |    |    |    |    |    |    |    |    |    |    |    |    |    |    |    |    |    |   |   |   |   |   |   |   |   |   |   |

### 6.4.9.12 ENABLE

Address offset: 0x500

Enable

| Bit number | 31         | 30       | 29    | 28                    | 27 | 26 | 25 | 24 | 23 | 22 | 21 | 20 | 19 | 18 | 17 | 16 | 15 | 14 | 13 | 12 | 11 | 10 | 9 | 8 | 7 | 6 | 5 | 4 | 3 | 2 | 1 | 0 |   |   |   |   |   |   |   |   |   |   |   |   |   |   |   |   |   |   |   |   |   |   |   |   |   |   |   |   |   |   |
|------------|------------|----------|-------|-----------------------|----|----|----|----|----|----|----|----|----|----|----|----|----|----|----|----|----|----|---|---|---|---|---|---|---|---|---|---|---|---|---|---|---|---|---|---|---|---|---|---|---|---|---|---|---|---|---|---|---|---|---|---|---|---|---|---|---|---|
| ID         |            |          |       |                       |    |    |    |    |    |    |    |    |    |    |    |    |    |    |    |    |    |    |   |   |   |   |   |   |   |   |   | A | A |   |   |   |   |   |   |   |   |   |   |   |   |   |   |   |   |   |   |   |   |   |   |   |   |   |   |   |   |   |
| Reset      | 0x00000000 |          |       |                       |    |    |    |    |    |    |    |    |    |    |    |    |    |    |    |    |    |    |   |   |   |   |   |   |   |   |   | 0 | 0 | 0 | 0 | 0 | 0 | 0 | 0 | 0 | 0 | 0 | 0 | 0 | 0 | 0 | 0 | 0 | 0 | 0 | 0 | 0 | 0 | 0 | 0 | 0 | 0 | 0 | 0 | 0 | 0 | 0 |
| ID         | Acce Field | Value ID | Value | Description           |    |    |    |    |    |    |    |    |    |    |    |    |    |    |    |    |    |    |   |   |   |   |   |   |   |   |   |   |   |   |   |   |   |   |   |   |   |   |   |   |   |   |   |   |   |   |   |   |   |   |   |   |   |   |   |   |   |   |
| A          | RW         | ENABLE   |       | Enable or disable CCM |    |    |    |    |    |    |    |    |    |    |    |    |    |    |    |    |    |    |   |   |   |   |   |   |   |   |   |   |   |   |   |   |   |   |   |   |   |   |   |   |   |   |   |   |   |   |   |   |   |   |   |   |   |   |   |   |   |   |
|            |            | Disabled | 0     | Disable               |    |    |    |    |    |    |    |    |    |    |    |    |    |    |    |    |    |    |   |   |   |   |   |   |   |   |   |   |   |   |   |   |   |   |   |   |   |   |   |   |   |   |   |   |   |   |   |   |   |   |   |   |   |   |   |   |   |   |
|            |            | Enabled  | 2     | Enable                |    |    |    |    |    |    |    |    |    |    |    |    |    |    |    |    |    |    |   |   |   |   |   |   |   |   |   |   |   |   |   |   |   |   |   |   |   |   |   |   |   |   |   |   |   |   |   |   |   |   |   |   |   |   |   |   |   |   |

### 6.4.9.13 MODE

Address offset: 0x504

Operation mode

| Bit number | 31         | 30         | 29    | 28  | 27 | 26 | 25 | 24 | 23 | 22 | 21 | 20 | 19 | 18 | 17 | 16 | 15 | 14 | 13 | 12 | 11 | 10 | 9 | 8 | 7 | 6 | 5 | 4 | 3 | 2 | 1 | 0 |   |   |   |   |   |   |   |   |   |   |   |   |   |   |   |   |   |   |   |   |   |   |   |   |   |   |   |   |   |   |   |
|------------|------------|------------|-------|---|----|----|----|----|----|----|----|----|----|----|----|----|----|----|----|----|----|----|---|---|---|---|---|---|---|---|---|---|---|---|---|---|---|---|---|---|---|---|---|---|---|---|---|---|---|---|---|---|---|---|---|---|---|---|---|---|---|---|---|
| ID         |            |            |       |   |    |    |    |    |    |    | C  |    |    |    |    |    |    |    |    |    |    | B  | B |   |   |   |   |   |   | A |   |   |   |   |   |   |   |   |   |   |   |   |   |   |   |   |   |   |   |   |   |   |   |   |   |   |   |   |   |   |   |   |   |
| Reset      | 0x00000001 |            |       |   |    |    |    |    |    |    |    |    |    |    |    |    |    |    |    |    |    |    |   |   |   |   |   |   |   |   |   | 0 | 0 | 0 | 0 | 0 | 0 | 0 | 0 | 0 | 0 | 0 | 0 | 0 | 0 | 0 | 0 | 0 | 0 | 0 | 0 | 0 | 0 | 0 | 0 | 0 | 0 | 0 | 0 | 0 | 0 | 0 | 1 |
| ID         | Acce Field | Value ID   | Value | Description   |    |    |    |    |    |    |    |    |    |    |    |    |    |    |    |    |    |    |   |   |   |   |   |   |   |   |   |   |   |   |   |   |   |   |   |   |   |   |   |   |   |   |   |   |   |   |   |   |   |   |   |   |   |   |   |   |   |   |   |
| A          | RW         | MODE       |       | The mode of operation to be used. Settings in this register apply whenever either the KSGEN task or the CRYPT task is triggered.  |    |    |    |    |    |    |    |    |    |    |    |    |    |    |    |    |    |    |   |   |   |   |   |   |   |   |   |   |   |   |   |   |   |   |   |   |   |   |   |   |   |   |   |   |   |   |   |   |   |   |   |   |   |   |   |   |   |   |   |
|            |            | Encryption | 0     | AES CCM packet encryption mode  |    |    |    |    |    |    |    |    |    |    |    |    |    |    |    |    |    |    |   |   |   |   |   |   |   |   |   |   |   |   |   |   |   |   |   |   |   |   |   |   |   |   |   |   |   |   |   |   |   |   |   |   |   |   |   |   |   |   |   |
|            |            | Decryption | 1     | AES CCM packet decryption mode  |    |    |    |    |    |    |    |    |    |    |    |    |    |    |    |    |    |    |   |   |   |   |   |   |   |   |   |   |   |   |   |   |   |   |   |   |   |   |   |   |   |   |   |   |   |   |   |   |   |   |   |   |   |   |   |   |   |   |   |
| B          | RW         | DATARATE   |       | Radio data rate that the CCM shall run synchronous with   |    |    |    |    |    |    |    |    |    |    |    |    |    |    |    |    |    |    |   |   |   |   |   |   |   |   |   |   |   |   |   |   |   |   |   |   |   |   |   |   |   |   |   |   |   |   |   |   |   |   |   |   |   |   |   |   |   |   |   |
|            |            | 1Mbit      | 0     | 1 Mbps  |    |    |    |    |    |    |    |    |    |    |    |    |    |    |    |    |    |    |   |   |   |   |   |   |   |   |   |   |   |   |   |   |   |   |   |   |   |   |   |   |   |   |   |   |   |   |   |   |   |   |   |   |   |   |   |   |   |   |   |
|            |            | 2Mbit      | 1     | 2 Mbps  |    |    |    |    |    |    |    |    |    |    |    |    |    |    |    |    |    |    |   |   |   |   |   |   |   |   |   |   |   |   |   |   |   |   |   |   |   |   |   |   |   |   |   |   |   |   |   |   |   |   |   |   |   |   |   |   |   |   |   |
|            |            | 125Kbps    | 2     | 125 kbps  |    |    |    |    |    |    |    |    |    |    |    |    |    |    |    |    |    |    |   |   |   |   |   |   |   |   |   |   |   |   |   |   |   |   |   |   |   |   |   |   |   |   |   |   |   |   |   |   |   |   |   |   |   |   |   |   |   |   |   |
|            |            | 500Kbps    | 3     | 500 kbps  |    |    |    |    |    |    |    |    |    |    |    |    |    |    |    |    |    |    |   |   |   |   |   |   |   |   |   |   |   |   |   |   |   |   |   |   |   |   |   |   |   |   |   |   |   |   |   |   |   |   |   |   |   |   |   |   |   |   |   |
| C          | RW         | LENGTH     |       | Packet length configuration   |    |    |    |    |    |    |    |    |    |    |    |    |    |    |    |    |    |    |   |   |   |   |   |   |   |   |   |   |   |   |   |   |   |   |   |   |   |   |   |   |   |   |   |   |   |   |   |   |   |   |   |   |   |   |   |   |   |   |   |
|            |            | Default    | 0     | Default length. Effective length of LENGTH field in encrypted/decrypted packet is 5 bits. A keystream for packet payloads up to 27 bytes will be generated.             |    |    |    |    |    |    |    |    |    |    |    |    |    |    |    |    |    |    |   |   |   |   |   |   |   |   |   |   |   |   |   |   |   |   |   |   |   |   |   |   |   |   |   |   |   |   |   |   |   |   |   |   |   |   |   |   |   |   |   |
|            |            | Extended   | 1     | Extended length. Effective length of LENGTH field in encrypted/decrypted packet is 8 bits. A keystream for packet payloads up to MAXPACKETSIZE bytes will be generated. |    |    |    |    |    |    |    |    |    |    |    |    |    |    |    |    |    |    |   |   |   |   |   |   |   |   |   |   |   |   |   |   |   |   |   |   |   |   |   |   |   |   |   |   |   |   |   |   |   |   |   |   |   |   |   |   |   |   |   |

### 6.4.9.14 CNFPTR

Address offset: 0x508

Pointer to data structure holding the AES key and the NONCE vector

| Bit number | 31         | 30       | 29    | 28   | 27 | 26 | 25 | 24 | 23 | 22 | 21 | 20 | 19 | 18 | 17 | 16 | 15 | 14 | 13 | 12 | 11 | 10 | 9 | 8 | 7 | 6 | 5 | 4 | 3 | 2 | 1 | 0 |   |   |   |   |   |   |   |   |   |   |   |   |   |   |   |   |   |   |   |   |   |   |   |   |   |   |   |   |   |
|------------|------------|----------|-------|--|----|----|----|----|----|----|----|----|----|----|----|----|----|----|----|----|----|----|---|---|---|---|---|---|---|---|---|---|---|---|---|---|---|---|---|---|---|---|---|---|---|---|---|---|---|---|---|---|---|---|---|---|---|---|---|---|---|
| ID         | A          | A        | A     | A  | A  | A  | A  | A  | A  | A  | A  | A  | A  | A  | A  | A  | A  | A  | A  | A  | A  | A  | A | A | A | A | A | A | A | A | A | A |   |   |   |   |   |   |   |   |   |   |   |   |   |   |   |   |   |   |   |   |   |   |   |   |   |   |   |   |   |
| Reset      | 0x00000000 |          |       |  |    |    |    |    |    |    |    |    |    |    |    |    |    |    |    |    |    |    |   |   |   |   |   |   |   |   |   | 0 | 0 | 0 | 0 | 0 | 0 | 0 | 0 | 0 | 0 | 0 | 0 | 0 | 0 | 0 | 0 | 0 | 0 | 0 | 0 | 0 | 0 | 0 | 0 | 0 | 0 | 0 | 0 | 0 | 0 |
| ID         | Acce Field | Value ID | Value | Description  |    |    |    |    |    |    |    |    |    |    |    |    |    |    |    |    |    |    |   |   |   |   |   |   |   |   |   |   |   |   |   |   |   |   |   |   |   |   |   |   |   |   |   |   |   |   |   |   |   |   |   |   |   |   |   |   |   |
| A          | RW         | CNFPTR   |       | Pointer to the data structure holding the AES key and the CCM NONCE vector (see table CCM data structure overview) |    |    |    |    |    |    |    |    |    |    |    |    |    |    |    |    |    |    |   |   |   |   |   |   |   |   |   |   |   |   |   |   |   |   |   |   |   |   |   |   |   |   |   |   |   |   |   |   |   |   |   |   |   |   |   |   |   |

### 6.4.9.15 INPTR

Address offset: 0x50C

Input pointer



|                  |            |          |       |               |    |    |    |    |    |    |    |    |    |    |    |    |    |    |    |    |    |    |   |   |   |   |   |   |   |   |   |   |   |
|------------------|------------|----------|-------|---------------|----|----|----|----|----|----|----|----|----|----|----|----|----|----|----|----|----|----|---|---|---|---|---|---|---|---|---|---|---|
| Bit number       | 31         | 30       | 29    | 28            | 27 | 26 | 25 | 24 | 23 | 22 | 21 | 20 | 19 | 18 | 17 | 16 | 15 | 14 | 13 | 12 | 11 | 10 | 9 | 8 | 7 | 6 | 5 | 4 | 3 | 2 | 1 | 0 |   |
| ID               | A          | A        | A     | A             | A  | A  | A  | A  | A  | A  | A  | A  | A  | A  | A  | A  | A  | A  | A  | A  | A  | A  | A | A | A | A | A | A | A | A | A | A | A |
| Reset 0x00000000 | 0          | 0        | 0     | 0             | 0  | 0  | 0  | 0  | 0  | 0  | 0  | 0  | 0  | 0  | 0  | 0  | 0  | 0  | 0  | 0  | 0  | 0  | 0 | 0 | 0 | 0 | 0 | 0 | 0 | 0 | 0 | 0 |   |
| ID               | Acce Field | Value ID | Value | Description   |    |    |    |    |    |    |    |    |    |    |    |    |    |    |    |    |    |    |   |   |   |   |   |   |   |   |   |   |   |
| A                | RW         | INPTR    |       | Input pointer |    |    |    |    |    |    |    |    |    |    |    |    |    |    |    |    |    |    |   |   |   |   |   |   |   |   |   |   |   |

### 6.4.9.16 OUTPTR

Address offset: 0x510

Output pointer

|                  |            |          |       |                |    |    |    |    |    |    |    |    |    |    |    |    |    |    |    |    |    |    |   |   |   |   |   |   |   |   |   |   |
|------------------|------------|----------|-------|----------------|----|----|----|----|----|----|----|----|----|----|----|----|----|----|----|----|----|----|---|---|---|---|---|---|---|---|---|---|
| Bit number       | 31         | 30       | 29    | 28             | 27 | 26 | 25 | 24 | 23 | 22 | 21 | 20 | 19 | 18 | 17 | 16 | 15 | 14 | 13 | 12 | 11 | 10 | 9 | 8 | 7 | 6 | 5 | 4 | 3 | 2 | 1 | 0 |
| ID               | A          | A        | A     | A              | A  | A  | A  | A  | A  | A  | A  | A  | A  | A  | A  | A  | A  | A  | A  | A  | A  | A  | A | A | A | A | A | A | A | A | A | A |
| Reset 0x00000000 | 0          | 0        | 0     | 0              | 0  | 0  | 0  | 0  | 0  | 0  | 0  | 0  | 0  | 0  | 0  | 0  | 0  | 0  | 0  | 0  | 0  | 0  | 0 | 0 | 0 | 0 | 0 | 0 | 0 | 0 | 0 | 0 |
| ID               | Acce Field | Value ID | Value | Description    |    |    |    |    |    |    |    |    |    |    |    |    |    |    |    |    |    |    |   |   |   |   |   |   |   |   |   |   |
| A                | RW         | OUTPTR   |       | Output pointer |    |    |    |    |    |    |    |    |    |    |    |    |    |    |    |    |    |    |   |   |   |   |   |   |   |   |   |   |

### 6.4.9.17 SCRATCHPTR

Address offset: 0x514

Pointer to data area used for temporary storage

|                  |            |            |       |  |    |    |    |    |    |    |    |    |    |    |    |    |    |    |    |    |    |    |   |   |   |   |   |   |   |   |   |   |
|------------------|------------|------------|-------|--|----|----|----|----|----|----|----|----|----|----|----|----|----|----|----|----|----|----|---|---|---|---|---|---|---|---|---|---|
| Bit number       | 31         | 30         | 29    | 28   | 27 | 26 | 25 | 24 | 23 | 22 | 21 | 20 | 19 | 18 | 17 | 16 | 15 | 14 | 13 | 12 | 11 | 10 | 9 | 8 | 7 | 6 | 5 | 4 | 3 | 2 | 1 | 0 |
| ID               | A          | A          | A     | A  | A  | A  | A  | A  | A  | A  | A  | A  | A  | A  | A  | A  | A  | A  | A  | A  | A  | A  | A | A | A | A | A | A | A | A | A | A |
| Reset 0x00000000 | 0          | 0          | 0     | 0  | 0  | 0  | 0  | 0  | 0  | 0  | 0  | 0  | 0  | 0  | 0  | 0  | 0  | 0  | 0  | 0  | 0  | 0  | 0 | 0 | 0 | 0 | 0 | 0 | 0 | 0 | 0 | 0 |
| ID               | Acce Field | Value ID   | Value | Description  |    |    |    |    |    |    |    |    |    |    |    |    |    |    |    |    |    |    |   |   |   |   |   |   |   |   |   |   |
| A                | RW         | SCRATCHPTR |       | <p>Pointer to a scratch data area used for temporary storage during keystream generation, MIC generation and encryption/decryption.</p> <p>The scratch area is used for temporary storage of data during keystream generation and encryption.</p> <p>When MODE.LENGTH = Default, a space of 43 bytes is required for this temporary storage. When MODE.LENGTH = Extended, a space of (16 + MAXPACKETSIZE) bytes is required.</p> |    |    |    |    |    |    |    |    |    |    |    |    |    |    |    |    |    |    |   |   |   |   |   |   |   |   |   |   |

### 6.4.9.18 MAXPACKETSIZE

Address offset: 0x518

Length of keystream generated when MODE.LENGTH = Extended

|                  |            |               |                  |  |    |    |    |    |    |    |    |    |    |    |    |    |    |    |    |    |    |    |   |   |   |   |   |   |   |   |   |   |   |
|------------------|------------|---------------|------------------|--|----|----|----|----|----|----|----|----|----|----|----|----|----|----|----|----|----|----|---|---|---|---|---|---|---|---|---|---|---|
| Bit number       | 31         | 30            | 29               | 28   | 27 | 26 | 25 | 24 | 23 | 22 | 21 | 20 | 19 | 18 | 17 | 16 | 15 | 14 | 13 | 12 | 11 | 10 | 9 | 8 | 7 | 6 | 5 | 4 | 3 | 2 | 1 | 0 |   |
| ID               |            |               |                  |  |    |    |    |    |    |    |    |    |    |    |    |    |    |    |    |    |    |    |   |   |   | A | A | A | A | A | A | A |   |
| Reset 0x000000FB | 0          | 0             | 0                | 0  | 0  | 0  | 0  | 0  | 0  | 0  | 0  | 0  | 0  | 0  | 0  | 0  | 0  | 0  | 0  | 0  | 0  | 0  | 0 | 0 | 0 | 1 | 1 | 1 | 1 | 1 | 0 | 1 | 1 |
| ID               | Acce Field | Value ID      | Value            | Description  |    |    |    |    |    |    |    |    |    |    |    |    |    |    |    |    |    |    |   |   |   |   |   |   |   |   |   |   |   |
| A                | RW         | MAXPACKETSIZE | [0x001B..0x00FB] | <p>Length of keystream generated when MODE.LENGTH = Extended. This value must be greater than or equal to the subsequent packet payload to be encrypted/decrypted.</p> |    |    |    |    |    |    |    |    |    |    |    |    |    |    |    |    |    |    |   |   |   |   |   |   |   |   |   |   |   |

### 6.4.9.19 RATEOVERRIDE

Address offset: 0x51C

Data rate override setting.

Override value to be used instead of the setting of MODE.DATARATE. This override value applies when the RATEOVERRIDE task is triggered.

| Bit number | 31 30 29 28 27 26 25 24 23 22 21 20 19 18 17 16 15 14 13 12 11 10 9 8 7 6 5 4 3 2 1 0 |          |       |                            |  |  |  |  |  |  |  |  |  |  |  |  |  |  |  |  |  |  |  |  |  |  |  |  |  |  |   |   |
|------------|---|----------|-------|----------------------------|--|--|--|--|--|--|--|--|--|--|--|--|--|--|--|--|--|--|--|--|--|--|--|--|--|--|---|---|
| ID         |   |          |       |                            |  |  |  |  |  |  |  |  |  |  |  |  |  |  |  |  |  |  |  |  |  |  |  |  |  |  | A | A |
| Reset      | 0x00000000  |          |       |                            |  |  |  |  |  |  |  |  |  |  |  |  |  |  |  |  |  |  |  |  |  |  |  |  |  |  |   |   |
| ID         | Acce Field  | Value ID | Value | Description                |  |  |  |  |  |  |  |  |  |  |  |  |  |  |  |  |  |  |  |  |  |  |  |  |  |  |   |   |
| A          | RW RATEOVERRIDE   |          |       | Data rate override setting |  |  |  |  |  |  |  |  |  |  |  |  |  |  |  |  |  |  |  |  |  |  |  |  |  |  |   |   |
|            |   | 1Mbit    | 0     | 1 Mbps                     |  |  |  |  |  |  |  |  |  |  |  |  |  |  |  |  |  |  |  |  |  |  |  |  |  |  |   |   |
|            |   | 2Mbit    | 1     | 2 Mbps                     |  |  |  |  |  |  |  |  |  |  |  |  |  |  |  |  |  |  |  |  |  |  |  |  |  |  |   |   |
|            |   | 125Kbps  | 2     | 125 kbps                   |  |  |  |  |  |  |  |  |  |  |  |  |  |  |  |  |  |  |  |  |  |  |  |  |  |  |   |   |
|            |   | 500Kbps  | 3     | 500 kbps                   |  |  |  |  |  |  |  |  |  |  |  |  |  |  |  |  |  |  |  |  |  |  |  |  |  |  |   |   |

## 6.4.10 Electrical specification

### 6.4.10.1 Timing specification

| Symbol     | Description   | Min. | Typ. | Max. | Units   |
|------------|---|------|------|------|---------|
| $t_{kgen}$ | Time needed for keystream generation (given priority access to destination RAM block) |      |      | 50   | $\mu$ s |

## 6.5 COMP — Comparator

The comparator (COMP) compares an input voltage (VIN+) against a second input voltage (VIN-). VIN+ can be derived from an analog input pin (AIN0-AIN7). VIN- can be derived from multiple sources depending on the operation mode of the comparator.

The main features of COMP are the following:

- Input range from 0 V to VDD
- Single-ended mode
  - Fully flexible hysteresis using a 64-level reference ladder
- Differential mode
  - Configurable hysteresis
- Reference inputs (VREF):
  - VDD
  - External reference from AIN0 to AIN7 (between 0 V and VDD)
  - Internal references 1.2 V, 1.8 V, and 2.4 V
- Three speed/power consumption modes:
  - Low-power
  - Normal
  - High-speed
- Event generation on output changes
  - UP event on VIN- > VIN+

- DOWN event on  $V_{IN-} < V_{IN+}$
- CROSS event on  $V_{IN+}$  and  $V_{IN-}$  crossing
- READY event on core and internal reference (if used) ready

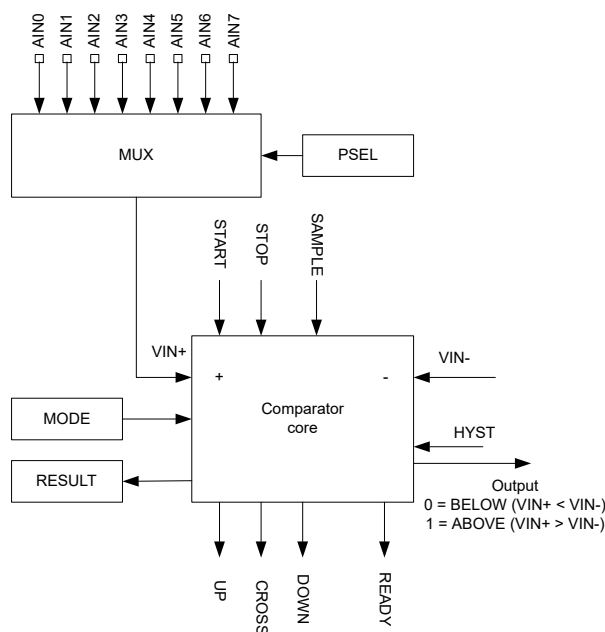


Figure 38: Comparator overview

Once enabled (using the [ENABLE](#) register), the comparator is started by triggering the START task and stopped by triggering the STOP task. The comparator will generate a READY event to indicate when it is ready for use and the output is correct. The delay between START and READY is  $t_{INT\_REF,START}$  if an internal reference is selected, or  $t_{COMP,START}$  if an external reference is used. When the COMP module is started, events will be generated every time  $V_{IN+}$  crosses  $V_{IN-}$ .

## Operation modes

The comparator can be configured to operate in two main operation modes: differential mode and single-ended mode. See the [MODE](#) register for more information. In both operation modes, the comparator can operate in different speed and power consumption modes (low-power, normal and high-speed). High-speed mode will consume more power compared to low-power mode, and low-power mode will result in slower response time compared to high-speed mode.

Use the [PSEL](#) register to select any of the AIN0-AIN7 pins as  $V_{IN+}$  input, regardless of the operation mode selected for the comparator. The source of  $V_{IN-}$  depends on which of the following operation mode are used:

- Differential mode - Derived directly from AIN0 to AIN7
- Single-ended mode - Derived from VREF. VREF can be derived from VDD, AIN0-AIN7 or internal 1.2 V, 1.8 V and 2.4 V references.

The selected analog pins will be acquired by the comparator once it is enabled.

An optional hysteresis on  $V_{IN+}$  and  $V_{IN-}$  can be enabled when the module is used in differential mode through the [HYST](#) register. In single-ended mode, VUP and VDOWN thresholds can be set to implement a hysteresis using the reference ladder (see [Comparator in single-ended mode](#) on page 129). This hysteresis is in the order of magnitude of  $V_{DIFFHYST}$ , and shall prevent noise on the signal to create unwanted events. See [Hysteresis example where  \$V\_{IN+}\$  starts below VUP](#) on page 130 for an illustration of the effect of an active hysteresis on a noisy input signal.

An upward crossing will generate an UP event and a downward crossing will generate a DOWN event. The CROSS event will be generated every time there is a crossing, independent of direction.

The immediate value of the comparator can be sampled to **RESULT** register by triggering the SAMPLE task.

### 6.5.1 Differential mode

In differential mode, the reference input VIN- is derived directly from one of the AINx pins.

Before enabling the comparator via the **ENABLE** register, the following registers must be configured for the differential mode:

- **PSEL**
- **MODE**
- **EXTREFSEL**

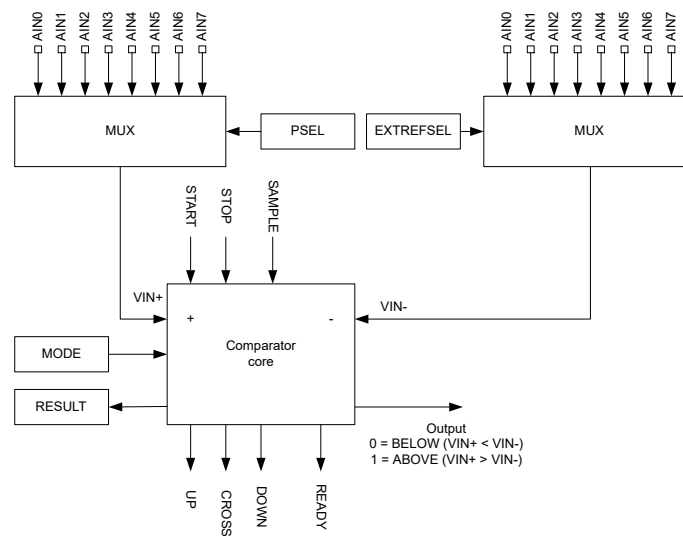


Figure 39: Comparator in differential mode

**Note:** Depending on the device, not all the analog inputs may be available for each MUX. See definitions for **PSEL** and **EXTREFSEL** for more information about which analog pins are available on a particular device.

When the **HYST** register is turned on during this mode, the output of the comparator and associated events do the following:

- Change from ABOVE to BELOW when VIN+ drops below  $VIN- - (V_{DIFFHYST}/2)$
- Change from BELOW to ABOVE when VIN+ raises above  $VIN- + (V_{DIFFHYST}/2)$

This behavior is illustrated in the following figure.

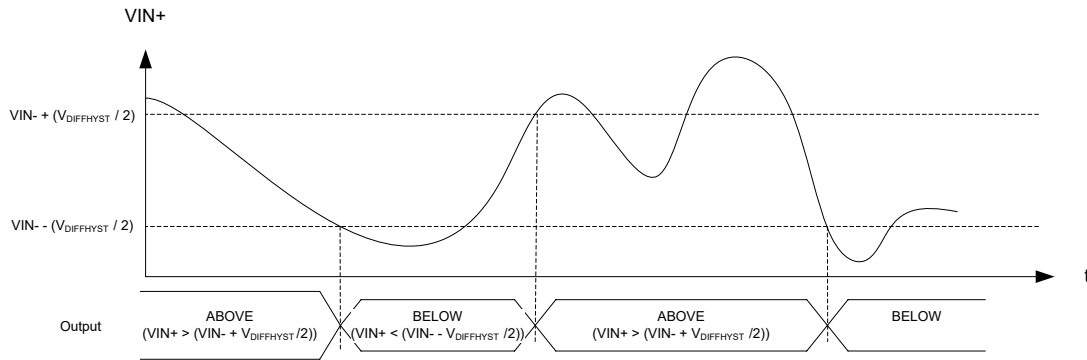


Figure 40: Hysteresis enabled in differential mode

## 6.5.2 Single-ended mode

In single-ended mode,  $V_{IN-}$  is derived from the reference ladder.

Before enabling the comparator via the **ENABLE** register, the following registers must be configured for the single-ended mode:

- **PSEL**
- **MODE**
- **REFSEL**
- **EXTREFSEL**
- **TH**

The reference ladder uses the reference voltage ( $V_{REF}$ ) to derive two new voltage references,  $V_{UP}$  and  $V_{DOWN}$ .  $V_{UP}$  and  $V_{DOWN}$  are configured using **THUP** and **THDOWN** respectively in the **TH** register.  $V_{REF}$  can be derived from any of the available reference sources, configured using the **EXTREFSEL** and **REFSEL** registers as shown in the following figure. When **AREF** is selected in the **REFSEL** register, the **EXTREFSEL** register is used to select one of the **AIN0-AIN7** analog input pins as reference input. The selected analog pins will be acquired by the comparator once it is enabled.

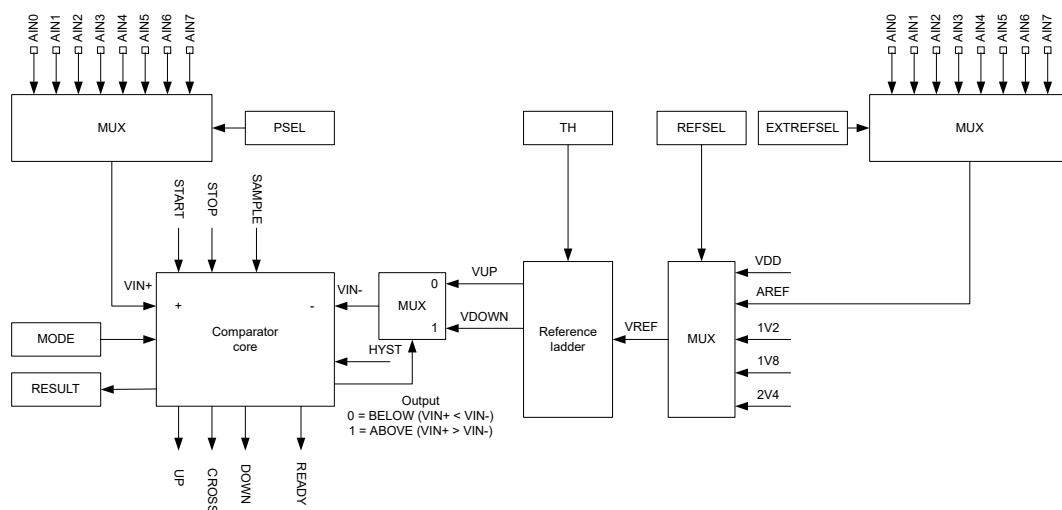


Figure 41: Comparator in single-ended mode

**Note:** Depending on the device, not all the analog inputs may be available for each MUX. See definitions for **PSEL** and **EXTREFSEL** for more information about which analog pins are available on a particular device.

When the comparator core detects that  $VIN+ > VIN-$ , i.e. ABOVE as per the **RESULT** register,  $VIN-$  will switch to VDOWN. When  $VIN+$  falls below  $VIN-$  again,  $VIN-$  will be switched back to VUP. By specifying VUP larger than VDOWN, a hysteresis can be generated as illustrated in the following figures.

Writing to **HYST** has no effect in single-ended mode, and the content of this register is ignored.

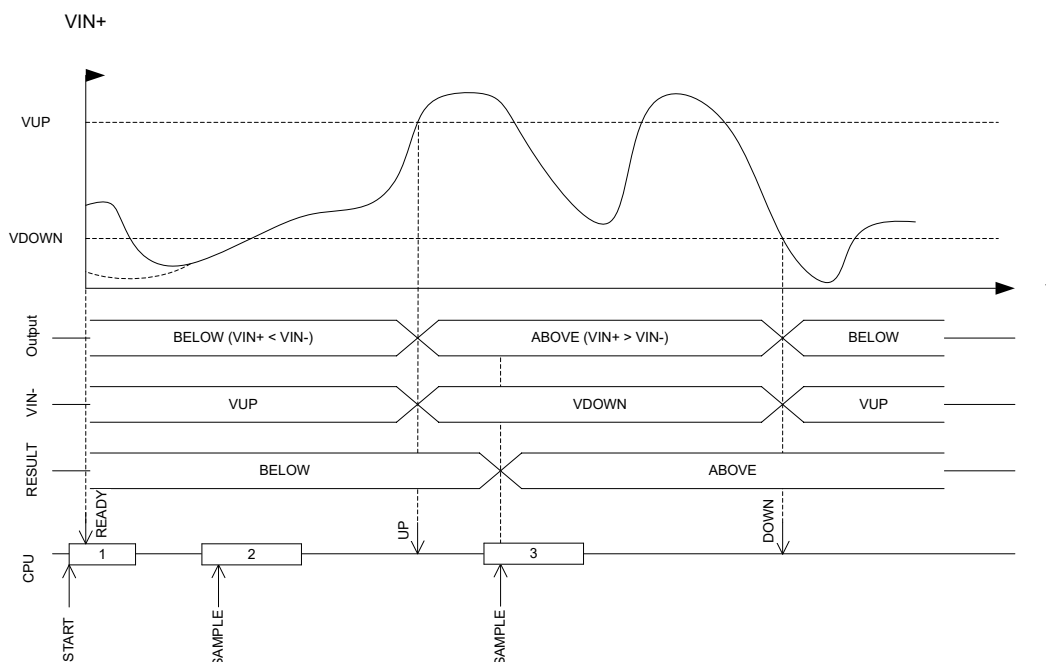


Figure 42: Hysteresis example where  $VIN+$  starts below  $VUP$

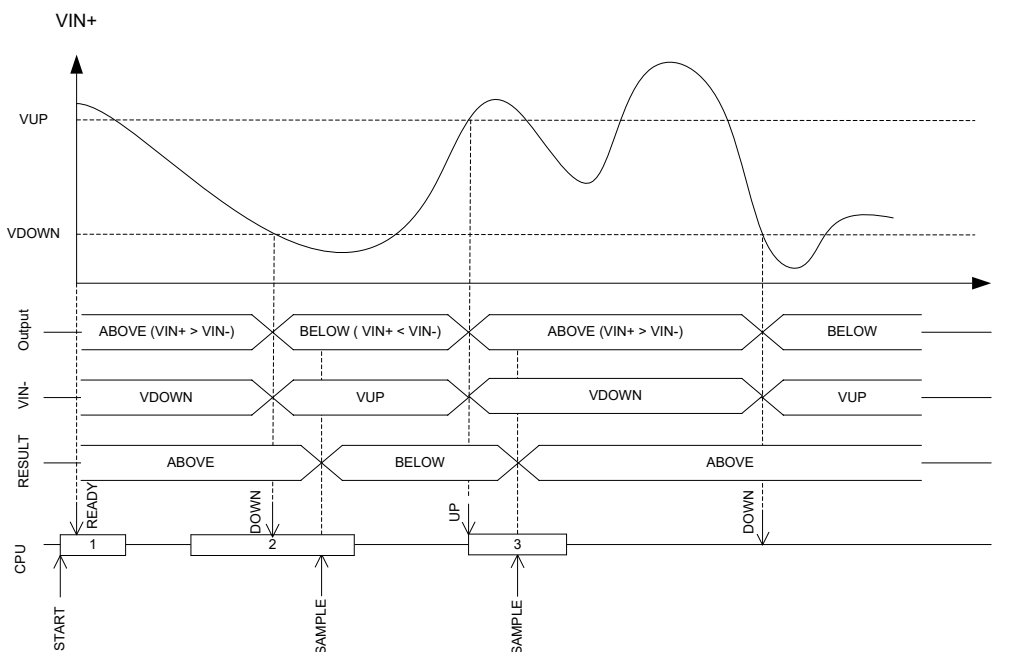


Figure 43: Hysteresis example where  $VIN+$  starts above  $VUP$

## 6.5.3 Registers

| Base address | Peripheral | Instance | Description                | Configuration |
|--------------|------------|----------|----------------------------|---------------|
| 0x40013000   | COMP       | COMP     | General purpose comparator |               |

Table 34: Instances

| Register     | Offset | Description                                   |
|--------------|--------|---|
| TASKS_START  | 0x000  | Start comparator                              |
| TASKS_STOP   | 0x004  | Stop comparator                               |
| TASKS_SAMPLE | 0x008  | Sample comparator value                       |
| EVENTS_READY | 0x100  | COMP is ready and output is valid             |
| EVENTS_DOWN  | 0x104  | Downward crossing                             |
| EVENTS_UP    | 0x108  | Upward crossing                               |
| EVENTS_CROSS | 0x10C  | Downward or upward crossing                   |
| SHORTS       | 0x200  | Shortcuts between local events and tasks      |
| INTEN        | 0x300  | Enable or disable interrupt                   |
| INTENSET     | 0x304  | Enable interrupt                              |
| INTENCLR     | 0x308  | Disable interrupt                             |
| RESULT       | 0x400  | Compare result                                |
| ENABLE       | 0x500  | COMP enable                                   |
| PSEL         | 0x504  | Pin select                                    |
| REFSEL       | 0x508  | Reference source select for single-ended mode |
| EXTREFSEL    | 0x50C  | External reference select                     |
| TH           | 0x530  | Threshold configuration for hysteresis unit   |
| MODE         | 0x534  | Mode configuration                            |
| HYST         | 0x538  | Comparator hysteresis enable                  |

Table 35: Register overview

### 6.5.3.1 TASKS\_START

Address offset: 0x000

Start comparator

| Bit number       | 31 30 29 28 27 26 25 24 23 22 21 20 19 18 17 16 15 14 13 12 11 10 9 8 7 6 5 4 3 2 1 0 |             |         |    |       |                  |  |  |  |  |  |  |  |  |  |  |  |  |  |  |  |  |  |  |  |  |  |  |  |  |  |
|------------------|---|-------------|---------|----|-------|------------------|--|--|--|--|--|--|--|--|--|--|--|--|--|--|--|--|--|--|--|--|--|--|--|--|--|
| ID               | A   |             |         |    |       |                  |  |  |  |  |  |  |  |  |  |  |  |  |  |  |  |  |  |  |  |  |  |  |  |  |  |
| Reset 0x00000000 | 0               |             |         |    |       |                  |  |  |  |  |  |  |  |  |  |  |  |  |  |  |  |  |  |  |  |  |  |  |  |  |  |
| ID               | Acce  | Field       | Value   | ID | Value | Description      |  |  |  |  |  |  |  |  |  |  |  |  |  |  |  |  |  |  |  |  |  |  |  |  |  |
| A                | W   | TASKS_START |         |    |       | Start comparator |  |  |  |  |  |  |  |  |  |  |  |  |  |  |  |  |  |  |  |  |  |  |  |  |  |
|                  |   |             | Trigger | 1  |       | Trigger task     |  |  |  |  |  |  |  |  |  |  |  |  |  |  |  |  |  |  |  |  |  |  |  |  |  |

### 6.5.3.2 TASKS\_STOP

Address offset: 0x004

Stop comparator

| Bit number       | 31  | 30         | 29       | 28    | 27              | 26 | 25 | 24 | 23 | 22 | 21 | 20 | 19 | 18 | 17 | 16 | 15 | 14 | 13 | 12 | 11 | 10 | 9 | 8 | 7 | 6 | 5 | 4 | 3 | 2 | 1 | 0 |
|------------------|---|------------|----------|-------|-----------------|----|----|----|----|----|----|----|----|----|----|----|----|----|----|----|----|----|---|---|---|---|---|---|---|---|---|---|
| ID               |   |            |          |       |                 |    |    |    |    |    |    |    |    |    |    |    |    |    |    |    |    |    |   |   |   |   |   |   |   |   |   | A |
| Reset 0x00000000 | 0 |            |          |       |                 |    |    |    |    |    |    |    |    |    |    |    |    |    |    |    |    |    |   |   |   |   |   |   |   |   |   |   |
| ID               | Acce  | Field      | Value ID | Value | Description     |    |    |    |    |    |    |    |    |    |    |    |    |    |    |    |    |    |   |   |   |   |   |   |   |   |   |   |
| A                | W   | TASKS_STOP |          |       | Stop comparator |    |    |    |    |    |    |    |    |    |    |    |    |    |    |    |    |    |   |   |   |   |   |   |   |   |   |   |
|                  |   |            | Trigger  | 1     | Trigger task    |    |    |    |    |    |    |    |    |    |    |    |    |    |    |    |    |    |   |   |   |   |   |   |   |   |   |   |

### 6.5.3.3 TASKS\_SAMPLE

Address offset: 0x008

Sample comparator value

| Bit number       | 31  | 30           | 29       | 28    | 27                      | 26 | 25 | 24 | 23 | 22 | 21 | 20 | 19 | 18 | 17 | 16 | 15 | 14 | 13 | 12 | 11 | 10 | 9 | 8 | 7 | 6 | 5 | 4 | 3 | 2 | 1 | 0 |
|------------------|---|--------------|----------|-------|-------------------------|----|----|----|----|----|----|----|----|----|----|----|----|----|----|----|----|----|---|---|---|---|---|---|---|---|---|---|
| ID               |   |              |          |       |                         |    |    |    |    |    |    |    |    |    |    |    |    |    |    |    |    |    |   |   |   |   |   |   |   |   |   | A |
| Reset 0x00000000 | 0 |              |          |       |                         |    |    |    |    |    |    |    |    |    |    |    |    |    |    |    |    |    |   |   |   |   |   |   |   |   |   |   |
| ID               | Acce  | Field        | Value ID | Value | Description             |    |    |    |    |    |    |    |    |    |    |    |    |    |    |    |    |    |   |   |   |   |   |   |   |   |   |   |
| A                | W   | TASKS_SAMPLE |          |       | Sample comparator value |    |    |    |    |    |    |    |    |    |    |    |    |    |    |    |    |    |   |   |   |   |   |   |   |   |   |   |
|                  |   |              | Trigger  | 1     | Trigger task            |    |    |    |    |    |    |    |    |    |    |    |    |    |    |    |    |    |   |   |   |   |   |   |   |   |   |   |

### 6.5.3.4 EVENTS\_READY

Address offset: 0x100

COMP is ready and output is valid

| Bit number       | 31  | 30           | 29           | 28    | 27                                | 26 | 25 | 24 | 23 | 22 | 21 | 20 | 19 | 18 | 17 | 16 | 15 | 14 | 13 | 12 | 11 | 10 | 9 | 8 | 7 | 6 | 5 | 4 | 3 | 2 | 1 | 0 |
|------------------|---|--------------|--------------|-------|-----------------------------------|----|----|----|----|----|----|----|----|----|----|----|----|----|----|----|----|----|---|---|---|---|---|---|---|---|---|---|
| ID               |   |              |              |       |                                   |    |    |    |    |    |    |    |    |    |    |    |    |    |    |    |    |    |   |   |   |   |   |   |   |   |   | A |
| Reset 0x00000000 | 0 |              |              |       |                                   |    |    |    |    |    |    |    |    |    |    |    |    |    |    |    |    |    |   |   |   |   |   |   |   |   |   |   |
| ID               | Acce  | Field        | Value ID     | Value | Description                       |    |    |    |    |    |    |    |    |    |    |    |    |    |    |    |    |    |   |   |   |   |   |   |   |   |   |   |
| A                | RW  | EVENTS_READY |              |       | COMP is ready and output is valid |    |    |    |    |    |    |    |    |    |    |    |    |    |    |    |    |    |   |   |   |   |   |   |   |   |   |   |
|                  |   |              | NotGenerated | 0     | Event not generated               |    |    |    |    |    |    |    |    |    |    |    |    |    |    |    |    |    |   |   |   |   |   |   |   |   |   |   |
|                  |   |              | Generated    | 1     | Event generated                   |    |    |    |    |    |    |    |    |    |    |    |    |    |    |    |    |    |   |   |   |   |   |   |   |   |   |   |

### 6.5.3.5 EVENTS\_DOWN

Address offset: 0x104

Downward crossing

| Bit number       | 31  | 30          | 29           | 28    | 27                  | 26 | 25 | 24 | 23 | 22 | 21 | 20 | 19 | 18 | 17 | 16 | 15 | 14 | 13 | 12 | 11 | 10 | 9 | 8 | 7 | 6 | 5 | 4 | 3 | 2 | 1 | 0 |
|------------------|---|-------------|--------------|-------|---------------------|----|----|----|----|----|----|----|----|----|----|----|----|----|----|----|----|----|---|---|---|---|---|---|---|---|---|---|
| ID               |   |             |              |       |                     |    |    |    |    |    |    |    |    |    |    |    |    |    |    |    |    |    |   |   |   |   |   |   |   |   |   | A |
| Reset 0x00000000 | 0 |             |              |       |                     |    |    |    |    |    |    |    |    |    |    |    |    |    |    |    |    |    |   |   |   |   |   |   |   |   |   |   |
| ID               | Acce  | Field       | Value ID     | Value | Description         |    |    |    |    |    |    |    |    |    |    |    |    |    |    |    |    |    |   |   |   |   |   |   |   |   |   |   |
| A                | RW  | EVENTS_DOWN |              |       | Downward crossing   |    |    |    |    |    |    |    |    |    |    |    |    |    |    |    |    |    |   |   |   |   |   |   |   |   |   |   |
|                  |   |             | NotGenerated | 0     | Event not generated |    |    |    |    |    |    |    |    |    |    |    |    |    |    |    |    |    |   |   |   |   |   |   |   |   |   |   |
|                  |   |             | Generated    | 1     | Event generated     |    |    |    |    |    |    |    |    |    |    |    |    |    |    |    |    |    |   |   |   |   |   |   |   |   |   |   |

### 6.5.3.6 EVENTS\_UP

Address offset: 0x108

Upward crossing



| Bit number       | 31  | 30           | 29    | 28                  | 27 | 26 | 25 | 24 | 23 | 22 | 21 | 20 | 19 | 18 | 17 | 16 | 15 | 14 | 13 | 12 | 11 | 10 | 9 | 8 | 7 | 6 | 5 | 4 | 3 | 2 | 1 | 0 |
|------------------|---|--------------|-------|---------------------|----|----|----|----|----|----|----|----|----|----|----|----|----|----|----|----|----|----|---|---|---|---|---|---|---|---|---|---|
| ID               |   |              |       |                     |    |    |    |    |    |    |    |    |    |    |    |    |    |    |    |    |    |    |   |   |   |   |   |   |   |   |   | A |
| Reset 0x00000000 | 0 |              |       |                     |    |    |    |    |    |    |    |    |    |    |    |    |    |    |    |    |    |    |   |   |   |   |   |   |   |   |   |   |
| ID               | Acce Field  | Value ID     | Value | Description         |    |    |    |    |    |    |    |    |    |    |    |    |    |    |    |    |    |    |   |   |   |   |   |   |   |   |   |   |
| A                | RW EVENTS_UP  |              |       | Upward crossing     |    |    |    |    |    |    |    |    |    |    |    |    |    |    |    |    |    |    |   |   |   |   |   |   |   |   |   |   |
|                  |   | NotGenerated | 0     | Event not generated |    |    |    |    |    |    |    |    |    |    |    |    |    |    |    |    |    |    |   |   |   |   |   |   |   |   |   |   |
|                  |   | Generated    | 1     | Event generated     |    |    |    |    |    |    |    |    |    |    |    |    |    |    |    |    |    |    |   |   |   |   |   |   |   |   |   |   |

### 6.5.3.7 EVENTS\_CROSS

Address offset: 0x10C

Downward or upward crossing

| Bit number       | 31  | 30           | 29    | 28                          | 27 | 26 | 25 | 24 | 23 | 22 | 21 | 20 | 19 | 18 | 17 | 16 | 15 | 14 | 13 | 12 | 11 | 10 | 9 | 8 | 7 | 6 | 5 | 4 | 3 | 2 | 1 | 0 |
|------------------|---|--------------|-------|-----------------------------|----|----|----|----|----|----|----|----|----|----|----|----|----|----|----|----|----|----|---|---|---|---|---|---|---|---|---|---|
| ID               |   |              |       |                             |    |    |    |    |    |    |    |    |    |    |    |    |    |    |    |    |    |    |   |   |   |   |   |   |   |   |   | A |
| Reset 0x00000000 | 0 |              |       |                             |    |    |    |    |    |    |    |    |    |    |    |    |    |    |    |    |    |    |   |   |   |   |   |   |   |   |   |   |
| ID               | Acce Field  | Value ID     | Value | Description                 |    |    |    |    |    |    |    |    |    |    |    |    |    |    |    |    |    |    |   |   |   |   |   |   |   |   |   |   |
| A                | RW EVENTS_CROSS   |              |       | Downward or upward crossing |    |    |    |    |    |    |    |    |    |    |    |    |    |    |    |    |    |    |   |   |   |   |   |   |   |   |   |   |
|                  |   | NotGenerated | 0     | Event not generated         |    |    |    |    |    |    |    |    |    |    |    |    |    |    |    |    |    |    |   |   |   |   |   |   |   |   |   |   |
|                  |   | Generated    | 1     | Event generated             |    |    |    |    |    |    |    |    |    |    |    |    |    |    |    |    |    |    |   |   |   |   |   |   |   |   |   |   |

### 6.5.3.8 SHORTS

Address offset: 0x200

Shortcuts between local events and tasks

| Bit number       | 31  | 30       | 29    | 28   | 27 | 26 | 25 | 24 | 23 | 22 | 21 | 20 | 19 | 18 | 17 | 16 | 15 | 14 | 13 | 12 | 11 | 10 | 9 | 8 | 7 | 6 | 5 | 4 | 3 | 2 | 1 | 0         |
|------------------|---|----------|-------|--|----|----|----|----|----|----|----|----|----|----|----|----|----|----|----|----|----|----|---|---|---|---|---|---|---|---|---|-----------|
| ID               |   |          |       |  |    |    |    |    |    |    |    |    |    |    |    |    |    |    |    |    |    |    |   |   |   |   |   |   |   |   |   | E D C B A |
| Reset 0x00000000 | 0 |          |       |  |    |    |    |    |    |    |    |    |    |    |    |    |    |    |    |    |    |    |   |   |   |   |   |   |   |   |   |           |
| ID               | Acce Field  | Value ID | Value | Description  |    |    |    |    |    |    |    |    |    |    |    |    |    |    |    |    |    |    |   |   |   |   |   |   |   |   |   |           |
| A                | RW READY_SAMPLE   |          |       | Shortcut between event <a href="#">READY</a> and task <a href="#">SAMPLE</a> |    |    |    |    |    |    |    |    |    |    |    |    |    |    |    |    |    |    |   |   |   |   |   |   |   |   |   |           |
|                  |   | Disabled | 0     | Disable shortcut   |    |    |    |    |    |    |    |    |    |    |    |    |    |    |    |    |    |    |   |   |   |   |   |   |   |   |   |           |
|                  |   | Enabled  | 1     | Enable shortcut  |    |    |    |    |    |    |    |    |    |    |    |    |    |    |    |    |    |    |   |   |   |   |   |   |   |   |   |           |
| B                | RW READY_STOP   |          |       | Shortcut between event <a href="#">READY</a> and task <a href="#">STOP</a>   |    |    |    |    |    |    |    |    |    |    |    |    |    |    |    |    |    |    |   |   |   |   |   |   |   |   |   |           |
|                  |   | Disabled | 0     | Disable shortcut   |    |    |    |    |    |    |    |    |    |    |    |    |    |    |    |    |    |    |   |   |   |   |   |   |   |   |   |           |
|                  |   | Enabled  | 1     | Enable shortcut  |    |    |    |    |    |    |    |    |    |    |    |    |    |    |    |    |    |    |   |   |   |   |   |   |   |   |   |           |
| C                | RW DOWN_STOP  |          |       | Shortcut between event <a href="#">DOWN</a> and task <a href="#">STOP</a>    |    |    |    |    |    |    |    |    |    |    |    |    |    |    |    |    |    |    |   |   |   |   |   |   |   |   |   |           |
|                  |   | Disabled | 0     | Disable shortcut   |    |    |    |    |    |    |    |    |    |    |    |    |    |    |    |    |    |    |   |   |   |   |   |   |   |   |   |           |
|                  |   | Enabled  | 1     | Enable shortcut  |    |    |    |    |    |    |    |    |    |    |    |    |    |    |    |    |    |    |   |   |   |   |   |   |   |   |   |           |
| D                | RW UP_STOP  |          |       | Shortcut between event <a href="#">UP</a> and task <a href="#">STOP</a>      |    |    |    |    |    |    |    |    |    |    |    |    |    |    |    |    |    |    |   |   |   |   |   |   |   |   |   |           |
|                  |   | Disabled | 0     | Disable shortcut   |    |    |    |    |    |    |    |    |    |    |    |    |    |    |    |    |    |    |   |   |   |   |   |   |   |   |   |           |
|                  |   | Enabled  | 1     | Enable shortcut  |    |    |    |    |    |    |    |    |    |    |    |    |    |    |    |    |    |    |   |   |   |   |   |   |   |   |   |           |
| E                | RW CROSS_STOP   |          |       | Shortcut between event <a href="#">CROSS</a> and task <a href="#">STOP</a>   |    |    |    |    |    |    |    |    |    |    |    |    |    |    |    |    |    |    |   |   |   |   |   |   |   |   |   |           |
|                  |   | Disabled | 0     | Disable shortcut   |    |    |    |    |    |    |    |    |    |    |    |    |    |    |    |    |    |    |   |   |   |   |   |   |   |   |   |           |
|                  |   | Enabled  | 1     | Enable shortcut  |    |    |    |    |    |    |    |    |    |    |    |    |    |    |    |    |    |    |   |   |   |   |   |   |   |   |   |           |

### 6.5.3.9 INTEN

Address offset: 0x300

Enable or disable interrupt

| Bit number       | 31 30 29 28 27 26 25 24 23 22 21 20 19 18 17 16 15 14 13 12 11 10 9 8 7 6 5 4 3 2 1 0 |          |       |             |  |  |  |  |  |  |  |  |  |  |  |  |  |  |  |  |  |  |  |  |  |  |  |  |  |  |   |   |   |   |
|------------------|---|----------|-------|-------------|--|--|--|--|--|--|--|--|--|--|--|--|--|--|--|--|--|--|--|--|--|--|--|--|--|--|---|---|---|---|
| ID               |   |          |       |             |  |  |  |  |  |  |  |  |  |  |  |  |  |  |  |  |  |  |  |  |  |  |  |  |  |  | D | C | B | A |
| Reset 0x00000000 | 0             |          |       |             |  |  |  |  |  |  |  |  |  |  |  |  |  |  |  |  |  |  |  |  |  |  |  |  |  |  |   |   |   |   |
| ID               | Acce Field  | Value ID | Value | Description |  |  |  |  |  |  |  |  |  |  |  |  |  |  |  |  |  |  |  |  |  |  |  |  |  |  |   |   |   |   |
| A                | RW READY  | Disabled | 0     | Disable     |  |  |  |  |  |  |  |  |  |  |  |  |  |  |  |  |  |  |  |  |  |  |  |  |  |  |   |   |   |   |
|                  |   | Enabled  | 1     | Enable      |  |  |  |  |  |  |  |  |  |  |  |  |  |  |  |  |  |  |  |  |  |  |  |  |  |  |   |   |   |   |
| B                | RW DOWN   | Disabled | 0     | Disable     |  |  |  |  |  |  |  |  |  |  |  |  |  |  |  |  |  |  |  |  |  |  |  |  |  |  |   |   |   |   |
|                  |   | Enabled  | 1     | Enable      |  |  |  |  |  |  |  |  |  |  |  |  |  |  |  |  |  |  |  |  |  |  |  |  |  |  |   |   |   |   |
| C                | RW UP   | Disabled | 0     | Disable     |  |  |  |  |  |  |  |  |  |  |  |  |  |  |  |  |  |  |  |  |  |  |  |  |  |  |   |   |   |   |
|                  |   | Enabled  | 1     | Enable      |  |  |  |  |  |  |  |  |  |  |  |  |  |  |  |  |  |  |  |  |  |  |  |  |  |  |   |   |   |   |
| D                | RW CROSS  | Disabled | 0     | Disable     |  |  |  |  |  |  |  |  |  |  |  |  |  |  |  |  |  |  |  |  |  |  |  |  |  |  |   |   |   |   |
|                  |   | Enabled  | 1     | Enable      |  |  |  |  |  |  |  |  |  |  |  |  |  |  |  |  |  |  |  |  |  |  |  |  |  |  |   |   |   |   |

### 6.5.3.10 INTENSET

Address offset: 0x304

Enable interrupt

| Bit number       | 31 30 29 28 27 26 25 24 23 22 21 20 19 18 17 16 15 14 13 12 11 10 9 8 7 6 5 4 3 2 1 0 |          |       |  |  |  |  |  |  |  |  |  |  |  |  |  |  |  |  |  |  |  |  |  |  |  |  |  |  |  |   |   |   |   |
|------------------|---|----------|-------|--|--|--|--|--|--|--|--|--|--|--|--|--|--|--|--|--|--|--|--|--|--|--|--|--|--|--|---|---|---|---|
| ID               |   |          |       |  |  |  |  |  |  |  |  |  |  |  |  |  |  |  |  |  |  |  |  |  |  |  |  |  |  |  | D | C | B | A |
| Reset 0x00000000 | 0             |          |       |  |  |  |  |  |  |  |  |  |  |  |  |  |  |  |  |  |  |  |  |  |  |  |  |  |  |  |   |   |   |   |
| ID               | Acce Field  | Value ID | Value | Description  |  |  |  |  |  |  |  |  |  |  |  |  |  |  |  |  |  |  |  |  |  |  |  |  |  |  |   |   |   |   |
| A                | RW READY  | Set      | 1     | Write '1' to enable interrupt for event <b>READY</b> |  |  |  |  |  |  |  |  |  |  |  |  |  |  |  |  |  |  |  |  |  |  |  |  |  |  |   |   |   |   |
|                  |   | Disabled | 0     | Read: Disabled                                       |  |  |  |  |  |  |  |  |  |  |  |  |  |  |  |  |  |  |  |  |  |  |  |  |  |  |   |   |   |   |
|                  |   | Enabled  | 1     | Read: Enabled  |  |  |  |  |  |  |  |  |  |  |  |  |  |  |  |  |  |  |  |  |  |  |  |  |  |  |   |   |   |   |
| B                | RW DOWN   | Set      | 1     | Write '1' to enable interrupt for event <b>DOWN</b>  |  |  |  |  |  |  |  |  |  |  |  |  |  |  |  |  |  |  |  |  |  |  |  |  |  |  |   |   |   |   |
|                  |   | Disabled | 0     | Read: Disabled                                       |  |  |  |  |  |  |  |  |  |  |  |  |  |  |  |  |  |  |  |  |  |  |  |  |  |  |   |   |   |   |
|                  |   | Enabled  | 1     | Read: Enabled  |  |  |  |  |  |  |  |  |  |  |  |  |  |  |  |  |  |  |  |  |  |  |  |  |  |  |   |   |   |   |
| C                | RW UP   | Set      | 1     | Write '1' to enable interrupt for event <b>UP</b>    |  |  |  |  |  |  |  |  |  |  |  |  |  |  |  |  |  |  |  |  |  |  |  |  |  |  |   |   |   |   |
|                  |   | Disabled | 0     | Read: Disabled                                       |  |  |  |  |  |  |  |  |  |  |  |  |  |  |  |  |  |  |  |  |  |  |  |  |  |  |   |   |   |   |
|                  |   | Enabled  | 1     | Read: Enabled  |  |  |  |  |  |  |  |  |  |  |  |  |  |  |  |  |  |  |  |  |  |  |  |  |  |  |   |   |   |   |
| D                | RW CROSS  | Set      | 1     | Write '1' to enable interrupt for event <b>CROSS</b> |  |  |  |  |  |  |  |  |  |  |  |  |  |  |  |  |  |  |  |  |  |  |  |  |  |  |   |   |   |   |
|                  |   | Disabled | 0     | Read: Disabled                                       |  |  |  |  |  |  |  |  |  |  |  |  |  |  |  |  |  |  |  |  |  |  |  |  |  |  |   |   |   |   |
|                  |   | Enabled  | 1     | Read: Enabled  |  |  |  |  |  |  |  |  |  |  |  |  |  |  |  |  |  |  |  |  |  |  |  |  |  |  |   |   |   |   |

### 6.5.3.11 INTENCLR

Address offset: 0x308

Disable interrupt

| Bit number       | 31 30 29 28 27 26 25 24 23 22 21 20 19 18 17 16 15 14 13 12 11 10 9 8 7 6 5 4 3 2 1 0 |          |       |   |  |  |  |  |  |  |  |  |  |  |  |  |  |  |  |  |  |  |  |  |  |  |  |  |  |  |   |   |   |   |
|------------------|---|----------|-------|---|--|--|--|--|--|--|--|--|--|--|--|--|--|--|--|--|--|--|--|--|--|--|--|--|--|--|---|---|---|---|
| ID               |   |          |       |   |  |  |  |  |  |  |  |  |  |  |  |  |  |  |  |  |  |  |  |  |  |  |  |  |  |  | D | C | B | A |
| Reset 0x00000000 | 0             |          |       |   |  |  |  |  |  |  |  |  |  |  |  |  |  |  |  |  |  |  |  |  |  |  |  |  |  |  |   |   |   |   |
| ID               | Acce Field  | Value ID | Value | Description   |  |  |  |  |  |  |  |  |  |  |  |  |  |  |  |  |  |  |  |  |  |  |  |  |  |  |   |   |   |   |
| A                | RW READY  |          |       | Write '1' to disable interrupt for event <b>READY</b> |  |  |  |  |  |  |  |  |  |  |  |  |  |  |  |  |  |  |  |  |  |  |  |  |  |  |   |   |   |   |

| Bit number              | 31 30 29 28 27 26 25 24 23 22 21 20 19 18 17 16 15 14 13 12 11 10 9 8 7 6 5 4 3 2 1 0 |          |       |   |  |  |  |  |  |  |  |  |  |  |  |  |  |  |  |  |  |  |  |  |  |  |  |  |  |  |   |   |   |   |
|-------------------------|---|----------|-------|---|--|--|--|--|--|--|--|--|--|--|--|--|--|--|--|--|--|--|--|--|--|--|--|--|--|--|---|---|---|---|
| ID                      |   |          |       |   |  |  |  |  |  |  |  |  |  |  |  |  |  |  |  |  |  |  |  |  |  |  |  |  |  |  | D | C | B | A |
| <b>Reset 0x00000000</b> | <b>0 0</b>    |          |       |   |  |  |  |  |  |  |  |  |  |  |  |  |  |  |  |  |  |  |  |  |  |  |  |  |  |  |   |   |   |   |
| ID                      | Acce Field  | Value ID | Value | Description   |  |  |  |  |  |  |  |  |  |  |  |  |  |  |  |  |  |  |  |  |  |  |  |  |  |  |   |   |   |   |
|                         |   | Clear    | 1     | Disable   |  |  |  |  |  |  |  |  |  |  |  |  |  |  |  |  |  |  |  |  |  |  |  |  |  |  |   |   |   |   |
|                         |   | Disabled | 0     | Read: Disabled  |  |  |  |  |  |  |  |  |  |  |  |  |  |  |  |  |  |  |  |  |  |  |  |  |  |  |   |   |   |   |
|                         |   | Enabled  | 1     | Read: Enabled   |  |  |  |  |  |  |  |  |  |  |  |  |  |  |  |  |  |  |  |  |  |  |  |  |  |  |   |   |   |   |
| <b>B</b>                | <b>RW DOWN</b>  |          |       | Write '1' to disable interrupt for event <b>DOWN</b>  |  |  |  |  |  |  |  |  |  |  |  |  |  |  |  |  |  |  |  |  |  |  |  |  |  |  |   |   |   |   |
|                         |   | Clear    | 1     | Disable   |  |  |  |  |  |  |  |  |  |  |  |  |  |  |  |  |  |  |  |  |  |  |  |  |  |  |   |   |   |   |
|                         |   | Disabled | 0     | Read: Disabled  |  |  |  |  |  |  |  |  |  |  |  |  |  |  |  |  |  |  |  |  |  |  |  |  |  |  |   |   |   |   |
|                         |   | Enabled  | 1     | Read: Enabled   |  |  |  |  |  |  |  |  |  |  |  |  |  |  |  |  |  |  |  |  |  |  |  |  |  |  |   |   |   |   |
| <b>C</b>                | <b>RW UP</b>  |          |       | Write '1' to disable interrupt for event <b>UP</b>    |  |  |  |  |  |  |  |  |  |  |  |  |  |  |  |  |  |  |  |  |  |  |  |  |  |  |   |   |   |   |
|                         |   | Clear    | 1     | Disable   |  |  |  |  |  |  |  |  |  |  |  |  |  |  |  |  |  |  |  |  |  |  |  |  |  |  |   |   |   |   |
|                         |   | Disabled | 0     | Read: Disabled  |  |  |  |  |  |  |  |  |  |  |  |  |  |  |  |  |  |  |  |  |  |  |  |  |  |  |   |   |   |   |
|                         |   | Enabled  | 1     | Read: Enabled   |  |  |  |  |  |  |  |  |  |  |  |  |  |  |  |  |  |  |  |  |  |  |  |  |  |  |   |   |   |   |
| <b>D</b>                | <b>RW CROSS</b>   |          |       | Write '1' to disable interrupt for event <b>CROSS</b> |  |  |  |  |  |  |  |  |  |  |  |  |  |  |  |  |  |  |  |  |  |  |  |  |  |  |   |   |   |   |
|                         |   | Clear    | 1     | Disable   |  |  |  |  |  |  |  |  |  |  |  |  |  |  |  |  |  |  |  |  |  |  |  |  |  |  |   |   |   |   |
|                         |   | Disabled | 0     | Read: Disabled  |  |  |  |  |  |  |  |  |  |  |  |  |  |  |  |  |  |  |  |  |  |  |  |  |  |  |   |   |   |   |
|                         |   | Enabled  | 1     | Read: Enabled   |  |  |  |  |  |  |  |  |  |  |  |  |  |  |  |  |  |  |  |  |  |  |  |  |  |  |   |   |   |   |

### 6.5.3.12 RESULT

Address offset: 0x400

Compare result

| Bit number              | 31 30 29 28 27 26 25 24 23 22 21 20 19 18 17 16 15 14 13 12 11 10 9 8 7 6 5 4 3 2 1 0 |          |       |  |  |  |  |  |  |  |  |  |  |  |  |  |  |  |  |  |  |  |  |  |  |  |  |  |  |  |   |
|-------------------------|---|----------|-------|--|--|--|--|--|--|--|--|--|--|--|--|--|--|--|--|--|--|--|--|--|--|--|--|--|--|--|---|
| ID                      |   |          |       |  |  |  |  |  |  |  |  |  |  |  |  |  |  |  |  |  |  |  |  |  |  |  |  |  |  |  | A |
| <b>Reset 0x00000000</b> | <b>0 0</b>    |          |       |  |  |  |  |  |  |  |  |  |  |  |  |  |  |  |  |  |  |  |  |  |  |  |  |  |  |  |   |
| ID                      | Acce Field  | Value ID | Value | Description  |  |  |  |  |  |  |  |  |  |  |  |  |  |  |  |  |  |  |  |  |  |  |  |  |  |  |   |
| <b>A</b>                | <b>R RESULT</b>   |          |       | Result of last compare. Decision point <b>SAMPLE</b> task. |  |  |  |  |  |  |  |  |  |  |  |  |  |  |  |  |  |  |  |  |  |  |  |  |  |  |   |
|                         |   | Below    | 0     | Input voltage is below the threshold (VIN+ < VIN-)         |  |  |  |  |  |  |  |  |  |  |  |  |  |  |  |  |  |  |  |  |  |  |  |  |  |  |   |
|                         |   | Above    | 1     | Input voltage is above the threshold (VIN+ > VIN-)         |  |  |  |  |  |  |  |  |  |  |  |  |  |  |  |  |  |  |  |  |  |  |  |  |  |  |   |

### 6.5.3.13 ENABLE

Address offset: 0x500

COMP enable

| Bit number              | 31 30 29 28 27 26 25 24 23 22 21 20 19 18 17 16 15 14 13 12 11 10 9 8 7 6 5 4 3 2 1 0 |          |       |                        |  |  |  |  |  |  |  |  |  |  |  |  |  |  |  |  |  |  |  |  |  |  |  |  |  |  |   |   |
|-------------------------|---|----------|-------|------------------------|--|--|--|--|--|--|--|--|--|--|--|--|--|--|--|--|--|--|--|--|--|--|--|--|--|--|---|---|
| ID                      |   |          |       |                        |  |  |  |  |  |  |  |  |  |  |  |  |  |  |  |  |  |  |  |  |  |  |  |  |  |  | A | A |
| <b>Reset 0x00000000</b> | <b>0 0</b>    |          |       |                        |  |  |  |  |  |  |  |  |  |  |  |  |  |  |  |  |  |  |  |  |  |  |  |  |  |  |   |   |
| ID                      | Acce Field  | Value ID | Value | Description            |  |  |  |  |  |  |  |  |  |  |  |  |  |  |  |  |  |  |  |  |  |  |  |  |  |  |   |   |
| <b>A</b>                | <b>RW ENABLE</b>  |          |       | Enable or disable COMP |  |  |  |  |  |  |  |  |  |  |  |  |  |  |  |  |  |  |  |  |  |  |  |  |  |  |   |   |
|                         |   | Disabled | 0     | Disable                |  |  |  |  |  |  |  |  |  |  |  |  |  |  |  |  |  |  |  |  |  |  |  |  |  |  |   |   |
|                         |   | Enabled  | 2     | Enable                 |  |  |  |  |  |  |  |  |  |  |  |  |  |  |  |  |  |  |  |  |  |  |  |  |  |  |   |   |

### 6.5.3.14 PSEL

Address offset: 0x504

Pin select

| Bit number              | 31  | 30    | 29           | 28    | 27                            | 26 | 25 | 24 | 23 | 22 | 21 | 20 | 19 | 18 | 17 | 16 | 15 | 14 | 13 | 12 | 11 | 10 | 9 | 8 | 7 | 6 | 5 | 4 | 3 | 2 | 1 | 0 |
|-------------------------|---|-------|--------------|-------|-------------------------------|----|----|----|----|----|----|----|----|----|----|----|----|----|----|----|----|----|---|---|---|---|---|---|---|---|---|---|
| ID                      |   |       |              |       |                               |    |    |    |    |    |    |    |    |    |    |    |    |    |    |    |    |    |   |   |   |   |   | A | A | A |   |   |
| <b>Reset 0x00000000</b> | 0 |       |              |       |                               |    |    |    |    |    |    |    |    |    |    |    |    |    |    |    |    |    |   |   |   |   |   |   |   |   |   |   |
| ID                      | Acce  | Field | Value ID     | Value | Description                   |    |    |    |    |    |    |    |    |    |    |    |    |    |    |    |    |    |   |   |   |   |   |   |   |   |   |   |
| A                       | RW  | PSEL  |              |       | Analog pin select             |    |    |    |    |    |    |    |    |    |    |    |    |    |    |    |    |    |   |   |   |   |   |   |   |   |   |   |
|                         |   |       | AnalogInput0 | 0     | AIN0 selected as analog input |    |    |    |    |    |    |    |    |    |    |    |    |    |    |    |    |    |   |   |   |   |   |   |   |   |   |   |
|                         |   |       | AnalogInput1 | 1     | AIN1 selected as analog input |    |    |    |    |    |    |    |    |    |    |    |    |    |    |    |    |    |   |   |   |   |   |   |   |   |   |   |
|                         |   |       | AnalogInput2 | 2     | AIN2 selected as analog input |    |    |    |    |    |    |    |    |    |    |    |    |    |    |    |    |    |   |   |   |   |   |   |   |   |   |   |
|                         |   |       | AnalogInput3 | 3     | AIN3 selected as analog input |    |    |    |    |    |    |    |    |    |    |    |    |    |    |    |    |    |   |   |   |   |   |   |   |   |   |   |
|                         |   |       | AnalogInput4 | 4     | AIN4 selected as analog input |    |    |    |    |    |    |    |    |    |    |    |    |    |    |    |    |    |   |   |   |   |   |   |   |   |   |   |
|                         |   |       | AnalogInput5 | 5     | AIN5 selected as analog input |    |    |    |    |    |    |    |    |    |    |    |    |    |    |    |    |    |   |   |   |   |   |   |   |   |   |   |
|                         |   |       | AnalogInput6 | 6     | AIN6 selected as analog input |    |    |    |    |    |    |    |    |    |    |    |    |    |    |    |    |    |   |   |   |   |   |   |   |   |   |   |
|                         |   |       | AnalogInput7 | 7     | AIN7 selected as analog input |    |    |    |    |    |    |    |    |    |    |    |    |    |    |    |    |    |   |   |   |   |   |   |   |   |   |   |

### 6.5.3.15 REFSEL

Address offset: 0x508

Reference source select for single-ended mode

| Bit number              | 31  | 30     | 29       | 28    | 27  | 26 | 25 | 24 | 23 | 22 | 21 | 20 | 19 | 18 | 17 | 16 | 15 | 14 | 13 | 12 | 11 | 10 | 9 | 8 | 7 | 6 | 5 | 4 | 3 | 2 | 1 | 0 |
|-------------------------|---|--------|----------|-------|---|----|----|----|----|----|----|----|----|----|----|----|----|----|----|----|----|----|---|---|---|---|---|---|---|---|---|---|
| ID                      |   |        |          |       |   |    |    |    |    |    |    |    |    |    |    |    |    |    |    |    |    |    |   |   |   |   |   | A | A | A |   |   |
| <b>Reset 0x00000004</b> | 0 1 0 0 |        |          |       |   |    |    |    |    |    |    |    |    |    |    |    |    |    |    |    |    |    |   |   |   |   |   |   |   |   |   |   |
| ID                      | Acce  | Field  | Value ID | Value | Description   |    |    |    |    |    |    |    |    |    |    |    |    |    |    |    |    |    |   |   |   |   |   |   |   |   |   |   |
| A                       | RW  | REFSEL |          |       | Reference select                                      |    |    |    |    |    |    |    |    |    |    |    |    |    |    |    |    |    |   |   |   |   |   |   |   |   |   |   |
|                         |   |        | Int1V2   | 0     | VREF = internal 1.2 V reference (VDD >= 1.7 V)        |    |    |    |    |    |    |    |    |    |    |    |    |    |    |    |    |    |   |   |   |   |   |   |   |   |   |   |
|                         |   |        | Int1V8   | 1     | VREF = internal 1.8 V reference (VDD >= VREF + 0.2 V) |    |    |    |    |    |    |    |    |    |    |    |    |    |    |    |    |    |   |   |   |   |   |   |   |   |   |   |
|                         |   |        | Int2V4   | 2     | VREF = internal 2.4 V reference (VDD >= VREF + 0.2 V) |    |    |    |    |    |    |    |    |    |    |    |    |    |    |    |    |    |   |   |   |   |   |   |   |   |   |   |
|                         |   |        | VDD      | 4     | VREF = VDD  |    |    |    |    |    |    |    |    |    |    |    |    |    |    |    |    |    |   |   |   |   |   |   |   |   |   |   |
|                         |   |        | ARef     | 5     | VREF = AREF   |    |    |    |    |    |    |    |    |    |    |    |    |    |    |    |    |    |   |   |   |   |   |   |   |   |   |   |

### 6.5.3.16 EXTREFSEL

Address offset: 0x50C

External reference select

| Bit number              | 31  | 30        | 29               | 28    | 27                                    | 26 | 25 | 24 | 23 | 22 | 21 | 20 | 19 | 18 | 17 | 16 | 15 | 14 | 13 | 12 | 11 | 10 | 9 | 8 | 7 | 6 | 5 | 4 | 3 | 2 | 1 | 0 |
|-------------------------|---|-----------|------------------|-------|---------------------------------------|----|----|----|----|----|----|----|----|----|----|----|----|----|----|----|----|----|---|---|---|---|---|---|---|---|---|---|
| ID                      |   |           |                  |       |                                       |    |    |    |    |    |    |    |    |    |    |    |    |    |    |    |    |    |   |   |   |   |   | A | A | A |   |   |
| <b>Reset 0x00000000</b> | 0 |           |                  |       |                                       |    |    |    |    |    |    |    |    |    |    |    |    |    |    |    |    |    |   |   |   |   |   |   |   |   |   |   |
| ID                      | Acce  | Field     | Value ID         | Value | Description                           |    |    |    |    |    |    |    |    |    |    |    |    |    |    |    |    |    |   |   |   |   |   |   |   |   |   |   |
| A                       | RW  | EXTREFSEL |                  |       | External analog reference select      |    |    |    |    |    |    |    |    |    |    |    |    |    |    |    |    |    |   |   |   |   |   |   |   |   |   |   |
|                         |   |           | AnalogReference0 | 0     | Use AIN0 as external analog reference |    |    |    |    |    |    |    |    |    |    |    |    |    |    |    |    |    |   |   |   |   |   |   |   |   |   |   |
|                         |   |           | AnalogReference1 | 1     | Use AIN1 as external analog reference |    |    |    |    |    |    |    |    |    |    |    |    |    |    |    |    |    |   |   |   |   |   |   |   |   |   |   |
|                         |   |           | AnalogReference2 | 2     | Use AIN2 as external analog reference |    |    |    |    |    |    |    |    |    |    |    |    |    |    |    |    |    |   |   |   |   |   |   |   |   |   |   |
|                         |   |           | AnalogReference3 | 3     | Use AIN3 as external analog reference |    |    |    |    |    |    |    |    |    |    |    |    |    |    |    |    |    |   |   |   |   |   |   |   |   |   |   |
|                         |   |           | AnalogReference4 | 4     | Use AIN4 as external analog reference |    |    |    |    |    |    |    |    |    |    |    |    |    |    |    |    |    |   |   |   |   |   |   |   |   |   |   |
|                         |   |           | AnalogReference5 | 5     | Use AIN5 as external analog reference |    |    |    |    |    |    |    |    |    |    |    |    |    |    |    |    |    |   |   |   |   |   |   |   |   |   |   |
|                         |   |           | AnalogReference6 | 6     | Use AIN6 as external analog reference |    |    |    |    |    |    |    |    |    |    |    |    |    |    |    |    |    |   |   |   |   |   |   |   |   |   |   |
|                         |   |           | AnalogReference7 | 7     | Use AIN7 as external analog reference |    |    |    |    |    |    |    |    |    |    |    |    |    |    |    |    |    |   |   |   |   |   |   |   |   |   |   |

### 6.5.3.17 TH

Address offset: 0x530

## Threshold configuration for hysteresis unit

| Bit number       | 31 30 29 28 27 26 25 24 23 22 21 20 19 18 17 16 15 14 13 12 11 10 9 8 7 6 5 4 3 2 1 0 |          |        |                            |  |  |  |  |  |  |  |  |  |  |  |  |  |  |  |  |  |  |  |  |  |  |  |   |   |   |   |   |   |   |   |   |   |   |   |  |  |  |  |  |  |  |  |  |  |  |  |  |  |  |  |
|------------------|---|----------|--------|----------------------------|--|--|--|--|--|--|--|--|--|--|--|--|--|--|--|--|--|--|--|--|--|--|--|---|---|---|---|---|---|---|---|---|---|---|---|--|--|--|--|--|--|--|--|--|--|--|--|--|--|--|--|
| ID               |   |          |        |                            |  |  |  |  |  |  |  |  |  |  |  |  |  |  |  |  |  |  |  |  |  |  |  | B | B | B | B | B | B | A | A | A | A | A | A |  |  |  |  |  |  |  |  |  |  |  |  |  |  |  |  |
| Reset 0x00000000 | 0             |          |        |                            |  |  |  |  |  |  |  |  |  |  |  |  |  |  |  |  |  |  |  |  |  |  |  |   |   |   |   |   |   |   |   |   |   |   |   |  |  |  |  |  |  |  |  |  |  |  |  |  |  |  |  |
| ID               | Acce Field  | Value ID | Value  | Description                |  |  |  |  |  |  |  |  |  |  |  |  |  |  |  |  |  |  |  |  |  |  |  |   |   |   |   |   |   |   |   |   |   |   |   |  |  |  |  |  |  |  |  |  |  |  |  |  |  |  |  |
| A                | RW THDOWN   |          | [63:0] | VDOWN = (THDOWN+1)/64*VREF |  |  |  |  |  |  |  |  |  |  |  |  |  |  |  |  |  |  |  |  |  |  |  |   |   |   |   |   |   |   |   |   |   |   |   |  |  |  |  |  |  |  |  |  |  |  |  |  |  |  |  |
| B                | RW THUP   |          | [63:0] | VUP = (THUP+1)/64*VREF     |  |  |  |  |  |  |  |  |  |  |  |  |  |  |  |  |  |  |  |  |  |  |  |   |   |   |   |   |   |   |   |   |   |   |   |  |  |  |  |  |  |  |  |  |  |  |  |  |  |  |  |

## 6.5.3.18 MODE

Address offset: 0x534

Mode configuration

| Bit number       | 31 30 29 28 27 26 25 24 23 22 21 20 19 18 17 16 15 14 13 12 11 10 9 8 7 6 5 4 3 2 1 0 |          |       |                       |  |  |  |  |  |  |  |  |  |  |  |  |  |  |  |  |  |  |  |  |  |  |  |   |  |  |  |  |   |   |  |  |  |  |  |  |  |  |  |  |  |  |  |  |  |  |
|------------------|---|----------|-------|-----------------------|--|--|--|--|--|--|--|--|--|--|--|--|--|--|--|--|--|--|--|--|--|--|--|---|--|--|--|--|---|---|--|--|--|--|--|--|--|--|--|--|--|--|--|--|--|--|
| ID               |   |          |       |                       |  |  |  |  |  |  |  |  |  |  |  |  |  |  |  |  |  |  |  |  |  |  |  | B |  |  |  |  | A | A |  |  |  |  |  |  |  |  |  |  |  |  |  |  |  |  |
| Reset 0x00000000 | 0             |          |       |                       |  |  |  |  |  |  |  |  |  |  |  |  |  |  |  |  |  |  |  |  |  |  |  |   |  |  |  |  |   |   |  |  |  |  |  |  |  |  |  |  |  |  |  |  |  |  |
| ID               | Acce Field  | Value ID | Value | Description           |  |  |  |  |  |  |  |  |  |  |  |  |  |  |  |  |  |  |  |  |  |  |  |   |  |  |  |  |   |   |  |  |  |  |  |  |  |  |  |  |  |  |  |  |  |  |
| A                | RW SP   |          |       | Speed and power modes |  |  |  |  |  |  |  |  |  |  |  |  |  |  |  |  |  |  |  |  |  |  |  |   |  |  |  |  |   |   |  |  |  |  |  |  |  |  |  |  |  |  |  |  |  |  |
|                  |   | Low      | 0     | Low-power mode        |  |  |  |  |  |  |  |  |  |  |  |  |  |  |  |  |  |  |  |  |  |  |  |   |  |  |  |  |   |   |  |  |  |  |  |  |  |  |  |  |  |  |  |  |  |  |
|                  |   | Normal   | 1     | Normal mode           |  |  |  |  |  |  |  |  |  |  |  |  |  |  |  |  |  |  |  |  |  |  |  |   |  |  |  |  |   |   |  |  |  |  |  |  |  |  |  |  |  |  |  |  |  |  |
|                  |   | High     | 2     | High-speed mode       |  |  |  |  |  |  |  |  |  |  |  |  |  |  |  |  |  |  |  |  |  |  |  |   |  |  |  |  |   |   |  |  |  |  |  |  |  |  |  |  |  |  |  |  |  |  |
| B                | RW MAIN   |          |       | Main operation modes  |  |  |  |  |  |  |  |  |  |  |  |  |  |  |  |  |  |  |  |  |  |  |  |   |  |  |  |  |   |   |  |  |  |  |  |  |  |  |  |  |  |  |  |  |  |  |
|                  |   | SE       | 0     | Single-ended mode     |  |  |  |  |  |  |  |  |  |  |  |  |  |  |  |  |  |  |  |  |  |  |  |   |  |  |  |  |   |   |  |  |  |  |  |  |  |  |  |  |  |  |  |  |  |  |
|                  |   | Diff     | 1     | Differential mode     |  |  |  |  |  |  |  |  |  |  |  |  |  |  |  |  |  |  |  |  |  |  |  |   |  |  |  |  |   |   |  |  |  |  |  |  |  |  |  |  |  |  |  |  |  |  |

## 6.5.3.19 HYST

Address offset: 0x538

Comparator hysteresis enable

| Bit number       | 31 30 29 28 27 26 25 24 23 22 21 20 19 18 17 16 15 14 13 12 11 10 9 8 7 6 5 4 3 2 1 0 |          |       |                                |  |  |  |  |  |  |  |  |  |  |  |  |  |  |  |  |  |  |  |  |  |  |  |  |  |  |  |   |  |  |  |  |  |  |  |  |  |  |  |  |  |  |  |  |
|------------------|---|----------|-------|--------------------------------|--|--|--|--|--|--|--|--|--|--|--|--|--|--|--|--|--|--|--|--|--|--|--|--|--|--|--|---|--|--|--|--|--|--|--|--|--|--|--|--|--|--|--|--|
| ID               |   |          |       |                                |  |  |  |  |  |  |  |  |  |  |  |  |  |  |  |  |  |  |  |  |  |  |  |  |  |  |  | A |  |  |  |  |  |  |  |  |  |  |  |  |  |  |  |  |
| Reset 0x00000000 | 0             |          |       |                                |  |  |  |  |  |  |  |  |  |  |  |  |  |  |  |  |  |  |  |  |  |  |  |  |  |  |  |   |  |  |  |  |  |  |  |  |  |  |  |  |  |  |  |  |
| ID               | Acce Field  | Value ID | Value | Description                    |  |  |  |  |  |  |  |  |  |  |  |  |  |  |  |  |  |  |  |  |  |  |  |  |  |  |  |   |  |  |  |  |  |  |  |  |  |  |  |  |  |  |  |  |
| A                | RW HYST   |          |       | Comparator hysteresis          |  |  |  |  |  |  |  |  |  |  |  |  |  |  |  |  |  |  |  |  |  |  |  |  |  |  |  |   |  |  |  |  |  |  |  |  |  |  |  |  |  |  |  |  |
|                  |   | NoHyst   | 0     | Comparator hysteresis disabled |  |  |  |  |  |  |  |  |  |  |  |  |  |  |  |  |  |  |  |  |  |  |  |  |  |  |  |   |  |  |  |  |  |  |  |  |  |  |  |  |  |  |  |  |
|                  |   | Hyst50mV | 1     | Comparator hysteresis enabled  |  |  |  |  |  |  |  |  |  |  |  |  |  |  |  |  |  |  |  |  |  |  |  |  |  |  |  |   |  |  |  |  |  |  |  |  |  |  |  |  |  |  |  |  |

## 6.5.4 Electrical specification

## 6.5.4.1 COMP Electrical Specification

| Symbol                  | Description                                       | Min. | Typ. | Max. | Units |
|-------------------------|---|------|------|------|-------|
| t <sub>PROPDLY,LP</sub> | Propagation delay, Low-power mode <sup>15</sup>   |      | 0.6  |      | µs    |
| t <sub>PROPDLY,N</sub>  | Propagation delay, Normal mode <sup>15</sup>      |      | 0.2  |      | µs    |
| t <sub>PROPDLY,HS</sub> | Propagation delay, High-speed mode <sup>15</sup>  |      | 0.1  |      | µs    |
| V <sub>DIFFHYST</sub>   | Optional hysteresis applied to differential input | 20   | 30   | 80   | mV    |

<sup>15</sup> Propagation delay is with 10 mV overdrive.

| Symbol                     | Description   | Min. | Typ. | Max. | Units |
|----------------------------|---|------|------|------|-------|
| V <sub>VDD-VREF</sub>      | Required difference between VDD and a selected VREF, VDD > VREF | 0.3  |      |      | V     |
| t <sub>INT_REF,START</sub> | Startup time for the internal bandgap reference                 |      | 50   | 80   | µs    |
| E <sub>INT_REF</sub>       | Internal bandgap reference error                                | -3   |      | 3    | %     |
| V <sub>INPUTOFFSET</sub>   | Input offset  | -10  |      | 10   | mV    |
| t <sub>COMP,START</sub>    | Startup time for the comparator core                            |      | 3    |      | µs    |

## 6.6 CRYPTOCELL — ARM TrustZone CryptoCell 310

ARM® TrustZone® CryptoCell 310 (CRYPTOCELL) is a security subsystem which provides root of trust (RoT) and cryptographic services for a device.

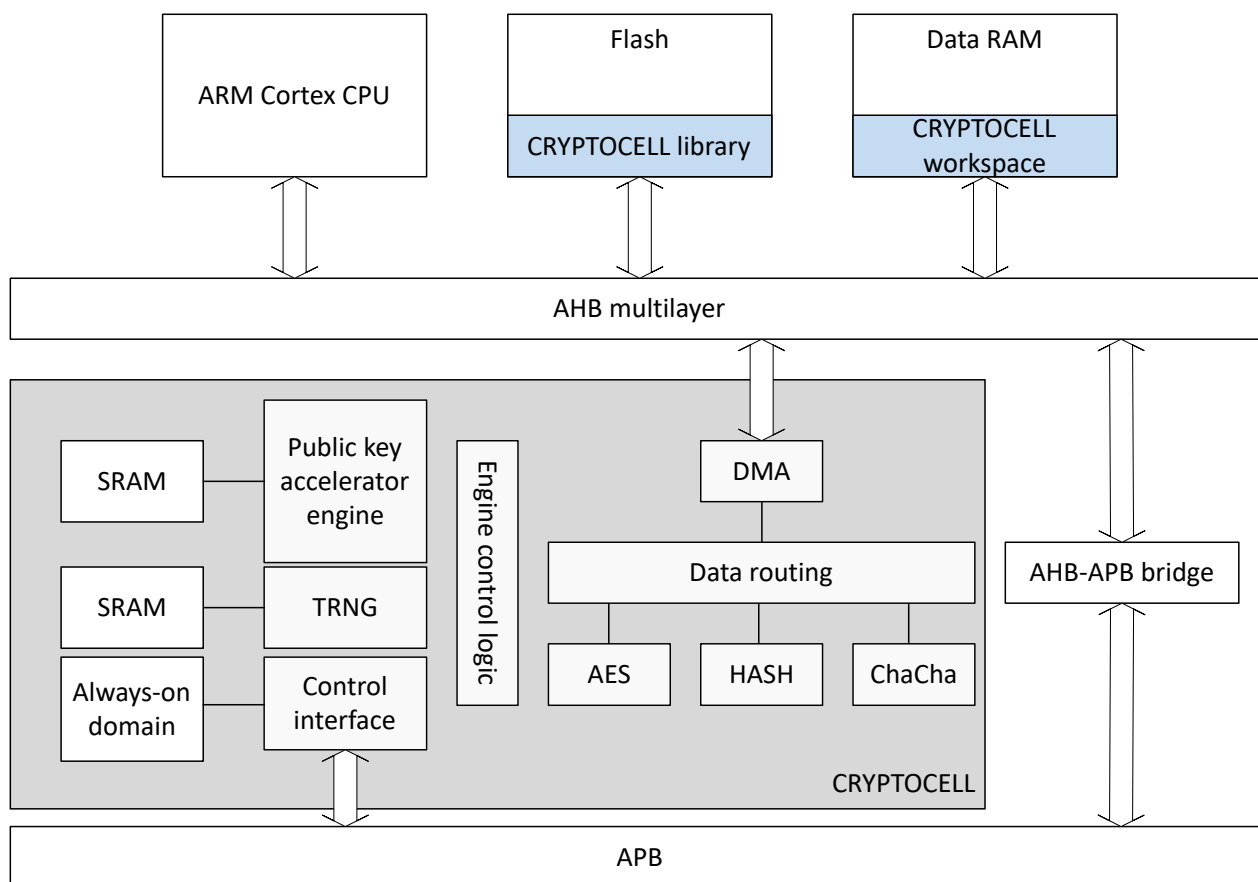


Figure 44: Block diagram for CRYPTOCELL

The following cryptographic features are provided:

- True random number generator (TRNG) compliant with NIST 800-90B, AIS-31, and FIPS 140-2
- Pseudorandom number generator (PRNG) using underlying AES engine compliant with NIST 800-90A
- RSA public key cryptography
  - Up to 2048-bit key size
  - PKCS#1 v2.1/v1.5
  - Optional CRT support
- Elliptic curve cryptography (ECC)
  - NIST FIPS 186-4 recommended curves using pseudorandom parameters, up to 521 bits:
    - Prime field: P-192, P-224, P-256, P-384, P-521
    - SEC 2 recommended curves using pseudorandom parameters, up to 521 bits:

- Prime field: secp160r1, secp192r1, secp224r1, secp256r1, secp384r1, secp521r1
- Koblitz curves using fixed parameters, up to 256 bits:
  - Prime field: secp160k1, secp192k1, secp224k1, secp256k1
- Edwards/Montgomery curves:
  - Ed25519, Curve25519
- ECDH/ECDSA support
- Secure remote password protocol (SRP)
  - Up to 3072-bit operations
- Hashing functions
  - SHA-1, SHA-2 up to 256 bits
  - Keyed-hash message authentication code (HMAC)
- AES symmetric encryption
  - General purpose AES engine (encrypt/decrypt, sign/verify)
  - 128-bit key size
  - Supported encryption modes: ECB, CBC, CMAC/CBC-MAC, CTR, CCM/CCM\* (CCM\* is a minor variation of CCM)
- ChaCha20/Poly1305 symmetric encryption
  - Supported key size: 128 and 256 bits
  - Authenticated encryption with associated data (AEAD) mode

### 6.6.1 Usage

The CRYPTOCELL state is controlled via a register interface. The cryptographic functions of CRYPTOCELL are accessible by using a software library provided in the device SDK, not directly via a register interface.

To enable CRYPTOCELL, use register [ENABLE](#) on page 142.

**Note:** Keeping the CRYPTOCELL subsystem enabled will prevent the device from reaching the System ON, All Idle state.

### 6.6.2 Always-on (AO) power domain

The CRYPTOCELL subsystem has an internal always-on (AO) power domain for retaining device secrets when CRYPTOCELL is disabled.

The following information is retained by the AO power domain:

- 4 bits indicating the configured CRYPTOCELL lifecycle state (LCS)
- 1 bit indicating if the hard-coded RTL key,  $K_{PRTL}$  (see [RTL key](#) on page 140), is available for use
- 128-bit device root key,  $K_{DR}$  (see [Device root key](#) on page 140)

A reset from any reset source will erase the content in the AO power domain.

### 6.6.3 Lifecycle state (LCS)

Lifecycle refers to multiple states a device goes through during its lifetime. Two valid lifecycle states are offered for the device - debug and secure.

The CRYPTOCELL subsystem lifecycle state (LCS) is controlled through register [HOST\\_IOT\\_LCS](#) on page 144. A valid LCS is configured by writing either value `Debug` or `Secure` into the LCS field of this register. A correctly configured LCS can be validated by reading back the read-only field `LCS_IS_VALID` from the abovementioned register. The `LCS_IS_VALID` field value will change from `Invalid` to `Valid` once a valid LCS value has been written.

| LCS field value | LCS_IS_VALID field value | Description  |
|-----------------|--------------------------|--|
| Secure          | Invalid                  | Default reset value indicating that LCS has not been configured.   |
| Secure          | Valid                    | LCS set to secure mode, and LCS is valid. Registers <code>HOST_IOT_KDR[0..3]</code> can only be written once per reset cycle. Any additional writes will be ignored. |
| Debug           | Valid                    | LCS set to debug mode, and LCS is valid. Registers <code>HOST_IOT_KDR[0..3]</code> can be written multiple times.  |

Table 36: Lifecycle states

## 6.6.4 Cryptographic key selection

The CRYPTOCELL subsystem can be instructed to operate on different cryptographic keys.

Through register `HOST_CRYPTKEY_SEL` on page 142, the following key types can be selected for cryptographic operations:

- RTL key  $K_{PRTL}$
- Device root key  $K_{DR}$
- Session key

$K_{PRTL}$  and  $K_{DR}$  are configured as part of the CRYPTOCELL initialization process, while session keys are provided by the application through the software library API.

### 6.6.4.1 RTL key

The ARM® TrustZone® CryptoCell 310 contains one hard-coded RTL key referred to as  $K_{PRTL}$ . This key is set to the same value for all devices with the same part code in the hardware design and cannot be changed.

The  $K_{PRTL}$  key can be requested for use in cryptographic operations by the CRYPTOCELL, without revealing the key value itself. Access to use of  $K_{PRTL}$  in cryptographic operations can be disabled until next reset by writing to register `HOST_IOT_KPRTL_LOCK` on page 143. If a locked  $K_{PRTL}$  key is requested for use, a zero vector key will be routed to the AES engine instead.

### 6.6.4.2 Device root key

The device root key  $K_{DR}$  is a 128-bit AES key programmed into the CRYPTOCELL subsystem using firmware. It is retained in the AO power domain until the next reset.

Once configured, it is possible to perform cryptographic operations using the the CRYPTOCELL subsystem where  $K_{DR}$  is selected as key input without having access to the key value itself. The  $K_{DR}$  key value must be written to registers `HOST_IOT_KDR[0..3]`. These 4 registers are write-only if LCS is set to debug mode, and write-once if LCS is set to secure mode. The  $K_{DR}$  key value is successfully retained when the read-back value of register `HOST_IOT_KDR0` on page 143 changes to 1.

## 6.6.5 Direct memory access (DMA)

The CRYPTOCELL subsystem implements direct memory access (DMA) for accessing memory without CPU intervention.

The following table shows which memory type(s) can be accessed using the DMA.

| SRAM |       | Flash |       |      |       | External flash (QSPI) |       |  |  |
|------|-------|-------|-------|------|-------|-----------------------|-------|--|--|
| Read | Write | Read  | Write | Read | Write | Read                  | Write |  |  |
| Yes  | Yes   | No    | No    | No   | No    | No                    | No    |  |  |

Table 37: DMA transaction types

Any data stored in memory type(s) not accessible by the DMA engine must be copied to SRAM before it can be processed by the CRYPTOCELL subsystem. Maximum DMA transaction size is limited to  $2^{16}-1$  bytes.



## 6.6.6 Standards

ARM® TrustZone® CryptoCell 310 (CRYPTOCELL) supports a number of cryptography standards.

| Algorithm family | Identification code    | Document title   |
|------------------|------------------------|--|
| TRNG             | NIST SP 800-90B        | <i>Recommendation for the Entropy Sources Used for Random Bit Generation</i>   |
|                  | AIS-31                 | <i>A proposal for: Functionality classes and evaluation methodology for physical random number generators</i>  |
|                  | FIPS 140-2             | <i>Security Requirements for Cryptographic Modules</i>   |
| PRNG             | NIST SP 800-90A        | <i>Recommendation for Random Number Generation Using Deterministic Random Bit Generators</i>   |
| Stream cipher    | ChaCha                 | <i>ChaCha, a variant of Salsa20</i> , Daniel J. Bernstein, January 28th 2008   |
| MAC              | Poly1305               | <i>The Poly1305-AES message-authentication code</i> , Daniel J. Bernstein  |
|                  |                        | <i>Cryptography in NaCl</i> , Daniel J. Bernstein  |
| Key agreement    | SRP                    | <i>The Secure Remote Password Protocol</i> , Thomas Wu, November 11th 1997   |
| AES              | FIPS-197               | <i>Advanced Encryption Standard (AES)</i>  |
|                  | NIST SP 800-38A        | <i>Recommendation for Block Cipher Modes of Operation - Methods and Techniques</i>   |
|                  | NIST SP 800-38B        | <i>Recommendation for Block Cipher Modes of Operation: The CMAC Mode for Authentication</i>  |
|                  | NIST SP 800-38C        | <i>Recommendation for Block Cipher Modes of Operation: The CCM Mode for Authentication and Confidentiality</i>   |
|                  | ISO/IEC 9797-1         | <i>AES CBC-MAC per ISO/IEC 9797-1 MAC algorithm 1</i>  |
|                  | IEEE 802.15.4-2011     | <i>IEEE Standard for Local and metropolitan area networks - Part 15.4: Low-Rate Wireless Personal Area Networks (LR-WPANs)</i> , Annex B.4: <i>Specification of generic CCM* mode of operation</i> |
| Hash             | FIPS 180-3             | <i>Secure Hash Standard (SHA1, SHA-224, SHA-256)</i>   |
|                  | RFC2104                | <i>HMAC: Keyed-Hashing for Message Authentication</i>  |
| RSA              | PKCS#1                 | <i>Public-Key Cryptography Standards (PKCS) #1: RSA Cryptography Specifications v1.5/2.1</i>   |
| Diffie-Hellman   | ANSI X9.42             | <i>Public Key Cryptography for the Financial Services Industry: Agreement of Symmetric Keys Using Discrete Logarithm Cryptography</i>  |
|                  | PKCS#3                 | <i>Diffie-Hellman Key-Agreement Standard</i>   |
| ECC              | ANSI X9.63             | <i>Public Key Cryptography for the Financial Services Industry - Key Agreement and Key Transport Using Elliptic Curve Cryptography</i>   |
|                  | IEEE 1363              | <i>Standard Specifications for Public-Key Cryptography</i>   |
|                  | ANSI X9.62             | <i>Public Key Cryptography For The Financial Services Industry: The Elliptic Curve Digital Signature Algorithm (ECDSA)</i>   |
|                  | Ed25519                | <i>Edwards-curve, Ed25519: high-speed high-security signatures</i> , Daniel J. Bernstein, Niels Duif, Tanja Lange, Peter Schwabe, and Bo-Yin Yang  |
|                  | Curve25519             | <i>Montgomery curve, Curve25519: new Diffie-Hellman speed records</i> , Daniel J. Bernstein  |
|                  | FIPS 186-4             | <i>Digital Signature Standard (DSS)</i>  |
|                  | SEC 2                  | <i>Recommended Elliptic Curve Domain Parameters</i> , Certicom Research  |
|                  | NIST SP 800-56A rev. 2 | <i>Recommendation for Pair-Wise Key Establishment Schemes Using Discrete Logarithm Cryptography</i>  |

Table 38: CRYPTOCELL cryptography standards

## 6.6.7 Registers

| Base address | Peripheral | Instance   | Description                            | Configuration |
|--------------|------------|------------|--|---------------|
| 0x5002A000   | CRYPTOCELL | CRYPTOCELL | CryptoCell subsystem control interface |               |

Table 39: Instances

| Register | Offset | Description                 |
|----------|--------|-----------------------------|
| ENABLE   | 0x500  | Enable CRYPTOCELL subsystem |

Table 40: Register overview

### 6.6.7.1 ENABLE

Address offset: 0x500

Enable CRYPTOCELL subsystem

| Bit number       | 31  | 30     | 29       | 28    | 27   | 26 | 25 | 24 | 23 | 22 | 21 | 20 | 19 | 18 | 17 | 16 | 15 | 14 | 13 | 12 | 11 | 10 | 9 | 8 | 7 | 6 | 5 | 4 | 3 | 2 | 1 | 0 |
|------------------|---|--------|----------|-------|--|----|----|----|----|----|----|----|----|----|----|----|----|----|----|----|----|----|---|---|---|---|---|---|---|---|---|---|
| ID               |   |        |          |       |  |    |    |    |    |    |    |    |    |    |    |    |    |    |    |    |    |    |   |   |   |   |   |   |   |   |   | A |
| Reset 0x00000000 | 0 |        |          |       |  |    |    |    |    |    |    |    |    |    |    |    |    |    |    |    |    |    |   |   |   |   |   |   |   |   |   |   |
| ID               | Access  | Field  | Value ID | Value | Description  |    |    |    |    |    |    |    |    |    |    |    |    |    |    |    |    |    |   |   |   |   |   |   |   |   |   |   |
| A                | RW  | ENABLE |          |       | Enable or disable the CRYPTOCELL subsystem   |    |    |    |    |    |    |    |    |    |    |    |    |    |    |    |    |    |   |   |   |   |   |   |   |   |   |   |
|                  |   |        | Disabled | 0     | CRYPTOCELL subsystem disabled  |    |    |    |    |    |    |    |    |    |    |    |    |    |    |    |    |    |   |   |   |   |   |   |   |   |   |   |
|                  |   |        | Enabled  | 1     | CRYPTOCELL subsystem enabled.  |    |    |    |    |    |    |    |    |    |    |    |    |    |    |    |    |    |   |   |   |   |   |   |   |   |   |   |
|                  |   |        |          |       | When enabled the CRYPTOCELL subsystem can be initialized and controlled through the CryptoCell firmware API. |    |    |    |    |    |    |    |    |    |    |    |    |    |    |    |    |    |   |   |   |   |   |   |   |   |   |   |

### 6.6.8 Host interface

This chapter describes host registers used to control the CRYPTOCELL subsystem behavior.

#### 6.6.8.1 HOST\_RGF block

The HOST\_RGF block contains registers for configuring LCS and device root key  $K_{DR}$ , in addition to selecting which cryptographic key is connected to the AES engine.

##### 6.6.8.1.1 Registers

| Base address | Peripheral  | Instance    | Description             | Configuration |
|--------------|-------------|-------------|-------------------------|---------------|
| 0x5002A000   | CC_HOST_RGF | CC_HOST_RGF | Host platform interface |               |

Table 41: Instances

| Register            | Offset | Description  |
|---------------------|--------|--|
| HOST_CRYPTKEY_SEL   | 0x1A38 | AES hardware key select  |
| HOST_IOT_KPRTL_LOCK | 0x1A4C | This write-once register is the K_PRTL lock register. When this register is set, K_PRTL cannot be used and a zeroed key will be used instead. The value of this register is saved in the CRYPTOCELL AO power domain. |
| HOST_IOT_KDR0       | 0x1A50 | This register holds bits 31:0 of K_DR. The value of this register is saved in the CRYPTOCELL AO power domain. Reading from this address returns the K_DR valid status indicating if K_DR is successfully retained.   |
| HOST_IOT_KDR1       | 0x1A54 | This register holds bits 63:32 of K_DR. The value of this register is saved in the CRYPTOCELL AO power domain.   |
| HOST_IOT_KDR2       | 0x1A58 | This register holds bits 95:64 of K_DR. The value of this register is saved in the CRYPTOCELL AO power domain.   |
| HOST_IOT_KDR3       | 0x1A5C | This register holds bits 127:96 of K_DR. The value of this register is saved in the CRYPTOCELL AO power domain.  |
| HOST_IOT_LCS        | 0x1A60 | Controls lifecycle state (LCS) for CRYPTOCELL subsystem  |

Table 42: Register overview

##### 6.6.8.1.1.1 HOST\_CRYPTKEY\_SEL

Address offset: 0x1A38

AES hardware key select

If the HOST\_IOT\_KPRTL\_LOCK register is set, and the HOST\_CRYPTKEY\_SEL register set to 1, then the HW key that is connected to the AES engine is zero

| Bit number       | 31 30 29 28 27 26 25 24 23 22 21 20 19 18 17 16 15 14 13 12 11 10 9 8 7 6 5 4 3 2 1 0 |          |       |  |  |  |  |  |  |  |  |  |  |  |  |  |  |  |  |  |  |  |  |  |  |  |  |  |  |  |  |
|------------------|---|----------|-------|--|--|--|--|--|--|--|--|--|--|--|--|--|--|--|--|--|--|--|--|--|--|--|--|--|--|--|--|
| ID               | A A   |          |       |  |  |  |  |  |  |  |  |  |  |  |  |  |  |  |  |  |  |  |  |  |  |  |  |  |  |  |  |
| Reset 0x00000000 | 0             |          |       |  |  |  |  |  |  |  |  |  |  |  |  |  |  |  |  |  |  |  |  |  |  |  |  |  |  |  |  |
| ID               | Acce Field  | Value ID | Value | Description  |  |  |  |  |  |  |  |  |  |  |  |  |  |  |  |  |  |  |  |  |  |  |  |  |  |  |  |
| A                | RW HOST_CRYPTKEY_SEL  |          |       | Select the source of the HW key that is used by the AES engine |  |  |  |  |  |  |  |  |  |  |  |  |  |  |  |  |  |  |  |  |  |  |  |  |  |  |  |
|                  |   | K_DR     | 0     | Use device root key K_DR from CRYPTOCELL AO power domain       |  |  |  |  |  |  |  |  |  |  |  |  |  |  |  |  |  |  |  |  |  |  |  |  |  |  |  |
|                  |   | K_PRTL   | 1     | Use hard-coded RTL key K_PRTL                                  |  |  |  |  |  |  |  |  |  |  |  |  |  |  |  |  |  |  |  |  |  |  |  |  |  |  |  |
|                  |   | Session  | 2     | Use provided session key                                       |  |  |  |  |  |  |  |  |  |  |  |  |  |  |  |  |  |  |  |  |  |  |  |  |  |  |  |

#### 6.6.8.1.1.2 HOST\_IOT\_KPRTL\_LOCK

Address offset: 0x1A4C

This write-once register is the K\_PRTL lock register. When this register is set, K\_PRTL cannot be used and a zeroed key will be used instead. The value of this register is saved in the CRYPTOCELL AO power domain.

| Bit number       | 31 30 29 28 27 26 25 24 23 22 21 20 19 18 17 16 15 14 13 12 11 10 9 8 7 6 5 4 3 2 1 0 |          |       |   |  |  |  |  |  |  |  |  |  |  |  |  |  |  |  |  |  |  |  |  |  |  |  |  |  |  |  |
|------------------|---|----------|-------|---|--|--|--|--|--|--|--|--|--|--|--|--|--|--|--|--|--|--|--|--|--|--|--|--|--|--|--|
| ID               | A   |          |       |   |  |  |  |  |  |  |  |  |  |  |  |  |  |  |  |  |  |  |  |  |  |  |  |  |  |  |  |
| Reset 0x00000000 | 0             |          |       |   |  |  |  |  |  |  |  |  |  |  |  |  |  |  |  |  |  |  |  |  |  |  |  |  |  |  |  |
| ID               | Acce Field  | Value ID | Value | Description   |  |  |  |  |  |  |  |  |  |  |  |  |  |  |  |  |  |  |  |  |  |  |  |  |  |  |  |
| A                | RW HOST_IOT_KPRTL_LOCK  |          |       | This register is the K_PRTL lock register. When this register is set, K_PRTL cannot be used and a zeroed key will be used instead. The value of this register is saved in the CRYPTOCELL AO power domain. |  |  |  |  |  |  |  |  |  |  |  |  |  |  |  |  |  |  |  |  |  |  |  |  |  |  |  |
|                  |   | Disabled | 0     | K_PRTL can be selected for use from register HOST_CRYPTKEY_SEL  |  |  |  |  |  |  |  |  |  |  |  |  |  |  |  |  |  |  |  |  |  |  |  |  |  |  |  |
|                  |   | Enabled  | 1     | K_PRTL has been locked until next power-on reset (POR). If K_PRTL is selected anyway, a zeroed key will be used instead.  |  |  |  |  |  |  |  |  |  |  |  |  |  |  |  |  |  |  |  |  |  |  |  |  |  |  |  |

#### 6.6.8.1.1.3 HOST\_IOT\_KDR0

Address offset: 0x1A50

This register holds bits 31:0 of K\_DR. The value of this register is saved in the CRYPTOCELL AO power domain. Reading from this address returns the K\_DR valid status indicating if K\_DR is successfully retained.

| Bit number       | 31 30 29 28 27 26 25 24 23 22 21 20 19 18 17 16 15 14 13 12 11 10 9 8 7 6 5 4 3 2 1 0 |          |       |  |  |  |  |  |  |  |  |  |  |  |  |  |  |  |  |  |  |  |  |  |  |  |  |  |  |  |  |
|------------------|---|----------|-------|--|--|--|--|--|--|--|--|--|--|--|--|--|--|--|--|--|--|--|--|--|--|--|--|--|--|--|--|
| ID               | A                   |          |       |  |  |  |  |  |  |  |  |  |  |  |  |  |  |  |  |  |  |  |  |  |  |  |  |  |  |  |  |
| Reset 0x00000000 | 0             |          |       |  |  |  |  |  |  |  |  |  |  |  |  |  |  |  |  |  |  |  |  |  |  |  |  |  |  |  |  |
| ID               | Acce Field  | Value ID | Value | Description  |  |  |  |  |  |  |  |  |  |  |  |  |  |  |  |  |  |  |  |  |  |  |  |  |  |  |  |
| A                | RW HOST_IOT_KDR0  |          |       | Write: K_DR bits 31:0.   |  |  |  |  |  |  |  |  |  |  |  |  |  |  |  |  |  |  |  |  |  |  |  |  |  |  |  |
|                  |   |          |       | Read: 0x00000000 when 128-bit K_DR key value is not yet retained in the CRYPTOCELL AO power domain.      |  |  |  |  |  |  |  |  |  |  |  |  |  |  |  |  |  |  |  |  |  |  |  |  |  |  |  |
|                  |   |          |       | Read: 0x00000001 when 128-bit K_DR key value is successfully retained in the CRYPTOCELL AO power domain. |  |  |  |  |  |  |  |  |  |  |  |  |  |  |  |  |  |  |  |  |  |  |  |  |  |  |  |

**6.6.8.1.1.4 HOST\_IOT\_KDR1**

Address offset: 0x1A54

This register holds bits 63:32 of K\_DR. The value of this register is saved in the CRYPTOCELL AO power domain.

| Bit number       | 31 30 29 28 27 26 25 24 23 22 21 20 19 18 17 16 15 14 13 12 11 10 9 8 7 6 5 4 3 2 1 0 |               |          |       |                 |  |  |  |  |  |  |  |  |  |  |  |  |  |  |  |  |  |  |  |  |  |  |  |  |  |  |  |
|------------------|---|---------------|----------|-------|-----------------|--|--|--|--|--|--|--|--|--|--|--|--|--|--|--|--|--|--|--|--|--|--|--|--|--|--|--|
| ID               | A                   |               |          |       |                 |  |  |  |  |  |  |  |  |  |  |  |  |  |  |  |  |  |  |  |  |  |  |  |  |  |  |  |
| Reset 0x00000000 | 0                       |               |          |       |                 |  |  |  |  |  |  |  |  |  |  |  |  |  |  |  |  |  |  |  |  |  |  |  |  |  |  |  |
| ID               | Acce  | Field         | Value ID | Value | Description     |  |  |  |  |  |  |  |  |  |  |  |  |  |  |  |  |  |  |  |  |  |  |  |  |  |  |  |
| A                | W   | HOST_IOT_KDR1 |          |       | K_DR bits 63:32 |  |  |  |  |  |  |  |  |  |  |  |  |  |  |  |  |  |  |  |  |  |  |  |  |  |  |  |

**6.6.8.1.1.5 HOST\_IOT\_KDR2**

Address offset: 0x1A58

This register holds bits 95:64 of K\_DR. The value of this register is saved in the CRYPTOCELL AO power domain.

| Bit number       | 31 30 29 28 27 26 25 24 23 22 21 20 19 18 17 16 15 14 13 12 11 10 9 8 7 6 5 4 3 2 1 0 |               |          |       |                 |  |  |  |  |  |  |  |  |  |  |  |  |  |  |  |  |  |  |  |  |  |  |  |  |  |  |  |
|------------------|---|---------------|----------|-------|-----------------|--|--|--|--|--|--|--|--|--|--|--|--|--|--|--|--|--|--|--|--|--|--|--|--|--|--|--|
| ID               | A                   |               |          |       |                 |  |  |  |  |  |  |  |  |  |  |  |  |  |  |  |  |  |  |  |  |  |  |  |  |  |  |  |
| Reset 0x00000000 | 0                       |               |          |       |                 |  |  |  |  |  |  |  |  |  |  |  |  |  |  |  |  |  |  |  |  |  |  |  |  |  |  |  |
| ID               | Acce  | Field         | Value ID | Value | Description     |  |  |  |  |  |  |  |  |  |  |  |  |  |  |  |  |  |  |  |  |  |  |  |  |  |  |  |
| A                | W   | HOST_IOT_KDR2 |          |       | K_DR bits 95:64 |  |  |  |  |  |  |  |  |  |  |  |  |  |  |  |  |  |  |  |  |  |  |  |  |  |  |  |

**6.6.8.1.1.6 HOST\_IOT\_KDR3**

Address offset: 0x1A5C

This register holds bits 127:96 of K\_DR. The value of this register is saved in the CRYPTOCELL AO power domain.

| Bit number       | 31 30 29 28 27 26 25 24 23 22 21 20 19 18 17 16 15 14 13 12 11 10 9 8 7 6 5 4 3 2 1 0 |               |          |       |                  |  |  |  |  |  |  |  |  |  |  |  |  |  |  |  |  |  |  |  |  |  |  |  |  |  |  |  |
|------------------|---|---------------|----------|-------|------------------|--|--|--|--|--|--|--|--|--|--|--|--|--|--|--|--|--|--|--|--|--|--|--|--|--|--|--|
| ID               | A                   |               |          |       |                  |  |  |  |  |  |  |  |  |  |  |  |  |  |  |  |  |  |  |  |  |  |  |  |  |  |  |  |
| Reset 0x00000000 | 0                       |               |          |       |                  |  |  |  |  |  |  |  |  |  |  |  |  |  |  |  |  |  |  |  |  |  |  |  |  |  |  |  |
| ID               | Acce  | Field         | Value ID | Value | Description      |  |  |  |  |  |  |  |  |  |  |  |  |  |  |  |  |  |  |  |  |  |  |  |  |  |  |  |
| A                | W   | HOST_IOT_KDR3 |          |       | K_DR bits 127:96 |  |  |  |  |  |  |  |  |  |  |  |  |  |  |  |  |  |  |  |  |  |  |  |  |  |  |  |

**6.6.8.1.1.7 HOST\_IOT\_LCS**

Address offset: 0x1A60

Controls lifecycle state (LCS) for CRYPTOCELL subsystem

| Bit number | 31 30 29 28 27 26 25 24 23 22 21 20 19 18 17 16 15 14 13 12 11 10 9 8 7 6 5 4 3 2 1 0 |              |          |       |   |  |  |  |  |  |  |  |  |  |  |  |  |  |  |  |  |  |  |  |  |  |  |  |   |  |  |       |  |  |
|------------|---|--------------|----------|-------|---|--|--|--|--|--|--|--|--|--|--|--|--|--|--|--|--|--|--|--|--|--|--|--|---|--|--|-------|--|--|
| ID         |   |              |          |       |   |  |  |  |  |  |  |  |  |  |  |  |  |  |  |  |  |  |  |  |  |  |  |  | B |  |  | A A A |  |  |
| Reset      | 0x00000002  |              |          |       |   |  |  |  |  |  |  |  |  |  |  |  |  |  |  |  |  |  |  |  |  |  |  |  |   |  |  |       |  |  |
|            | 0 1 0       |              |          |       |   |  |  |  |  |  |  |  |  |  |  |  |  |  |  |  |  |  |  |  |  |  |  |  |   |  |  |       |  |  |
| ID         | Acce  | Field        | Value ID | Value | Description   |  |  |  |  |  |  |  |  |  |  |  |  |  |  |  |  |  |  |  |  |  |  |  |   |  |  |       |  |  |
| A          | RW  | LCS          |          |       | Lifecycle state value. This field is write-once per reset.                                      |  |  |  |  |  |  |  |  |  |  |  |  |  |  |  |  |  |  |  |  |  |  |  |   |  |  |       |  |  |
|            |   |              | Debug    | 0     | CC310 operates in debug mode  |  |  |  |  |  |  |  |  |  |  |  |  |  |  |  |  |  |  |  |  |  |  |  |   |  |  |       |  |  |
|            |   |              | Secure   | 2     | CC310 operates in secure mode   |  |  |  |  |  |  |  |  |  |  |  |  |  |  |  |  |  |  |  |  |  |  |  |   |  |  |       |  |  |
| B          | RW  | LCS_IS_VALID |          |       | Read-only field. Indicates if CRYPTOCELL LCS has been successfully configured since last reset. |  |  |  |  |  |  |  |  |  |  |  |  |  |  |  |  |  |  |  |  |  |  |  |   |  |  |       |  |  |
|            |   |              | Invalid  | 0     | Valid LCS not yet retained in the CRYPTOCELL AO power domain                                    |  |  |  |  |  |  |  |  |  |  |  |  |  |  |  |  |  |  |  |  |  |  |  |   |  |  |       |  |  |
|            |   |              | Valid    | 1     | Valid LCS successfully retained in the CRYPTOCELL AO power domain                               |  |  |  |  |  |  |  |  |  |  |  |  |  |  |  |  |  |  |  |  |  |  |  |   |  |  |       |  |  |

## 6.7 ECB — AES electronic codebook mode encryption

The AES electronic codebook mode encryption (ECB) can be used for a range of cryptographic functions like hash generation, digital signatures, and keystream generation for data encryption/decryption. The ECB encryption block supports 128 bit AES encryption (encryption only, not decryption).

AES ECB operates with EasyDMA access to system Data RAM for in-place operations on cleartext and ciphertext during encryption. ECB uses the same AES core as the CCM and AAR blocks, and is an asynchronous operation which may not complete if the AES core is busy.

AES ECB features:

- 128 bit AES encryption
- Supports standard AES ECB block encryption
- Memory pointer support
- DMA data transfer

AES ECB performs a 128 bit AES block encrypt. At the STARTECB task, data and key is loaded into the algorithm by EasyDMA. When output data has been written back to memory, the ENDECB event is triggered.

AES ECB can be stopped by triggering the STOPECB task.

### 6.7.1 Shared resources

The ECB, CCM, and AAR share the same AES module. The ECB will always have lowest priority, and if there is a sharing conflict during encryption, the ECB operation will be aborted and an ERRORECB event will be generated.

### 6.7.2 EasyDMA

The ECB implements an EasyDMA mechanism for reading and writing to the Data RAM. This DMA cannot access the program memory or any other parts of the memory area except RAM.

If the ECBDATAPTR is not pointing to the Data RAM region, an EasyDMA transfer may result in a HardFault or RAM corruption. See [Memory](#) on page 20 for more information about the different memory regions.

The EasyDMA will have finished accessing the Data RAM when the ENDECB or ERRORECB is generated.

### 6.7.3 ECB data structure

Block encrypt input and output is stored in the same data structure. ECBDATAPTR should point to this data structure before STARTECB is initiated.

| Property   | Address offset | Description                         |
|------------|----------------|-------------------------------------|
| KEY        | 0              | 16 byte AES key                     |
| CLEARTEXT  | 16             | 16 byte AES cleartext input block   |
| CIPHERTEXT | 32             | 16 byte AES ciphertext output block |

Table 43: ECB data structure overview

## 6.7.4 Registers

| Base address | Peripheral | Instance | Description   | Configuration |
|--------------|------------|----------|---|---------------|
| 0x4000E000   | ECB        | ECB      | AES electronic code book (ECB) mode<br>block encryption |               |

Table 44: Instances

| Register        | Offset | Description  |
|-----------------|--------|--|
| TASKS_START ECB | 0x000  | Start ECB block encrypt  |
| TASKS_STOPECB   | 0x004  | Abort a possible executing ECB operation                               |
| EVENTS_ENDECB   | 0x100  | ECB block encrypt complete   |
| EVENTS_ERRORECB | 0x104  | ECB block encrypt aborted because of a STOPECB task or due to an error |
| INTENSET        | 0x304  | Enable interrupt   |
| INTENCLR        | 0x308  | Disable interrupt  |
| ECBDATAPTR      | 0x504  | ECB block encrypt memory pointers                                      |

Table 45: Register overview

### 6.7.4.1 TASKS\_START ECB

Address offset: 0x000

Start ECB block encrypt

If a crypto operation is already running in the AES core, the START ECB task will not start a new encryption and an ERRORECB event will be triggered.

| Bit number       | 31  | 30              | 29       | 28    | 27  | 26 | 25 | 24 | 23 | 22 | 21 | 20 | 19 | 18 | 17 | 16 | 15 | 14 | 13 | 12 | 11 | 10 | 9 | 8 | 7 | 6 | 5 | 4 | 3 | 2 | 1 | 0 |
|------------------|---|-----------------|----------|-------|---|----|----|----|----|----|----|----|----|----|----|----|----|----|----|----|----|----|---|---|---|---|---|---|---|---|---|---|
| ID               |   |                 |          |       |   |    |    |    |    |    |    |    |    |    |    |    |    |    |    |    |    |    |   |   |   |   |   |   |   |   |   | A |
| Reset 0x00000000 | 0 |                 |          |       |   |    |    |    |    |    |    |    |    |    |    |    |    |    |    |    |    |    |   |   |   |   |   |   |   |   |   |   |
| ID               | Acces   | Field           | Value ID | Value | Description   |    |    |    |    |    |    |    |    |    |    |    |    |    |    |    |    |    |   |   |   |   |   |   |   |   |   |   |
| A                | W   | TASKS_START ECB |          |       | Start ECB block encrypt   |    |    |    |    |    |    |    |    |    |    |    |    |    |    |    |    |    |   |   |   |   |   |   |   |   |   |   |
|                  |   |                 |          |       | If a crypto operation is already running in the AES core, the START ECB task will not start a new encryption and an ERRORECB event will be triggered. |    |    |    |    |    |    |    |    |    |    |    |    |    |    |    |    |    |   |   |   |   |   |   |   |   |   |   |
|                  |   |                 | Trigger  | 1     | Trigger task  |    |    |    |    |    |    |    |    |    |    |    |    |    |    |    |    |    |   |   |   |   |   |   |   |   |   |   |

### 6.7.4.2 TASKS\_STOPECB

Address offset: 0x004

Abort a possible executing ECB operation

If a running ECB operation is aborted by STOPECB, the ERRORECB event is triggered.

| Bit number | 31         | 30            | 29    | 28   | 27 | 26 | 25 | 24 | 23 | 22 | 21 | 20 | 19 | 18 | 17 | 16 | 15 | 14 | 13 | 12 | 11 | 10 | 9 | 8 | 7 | 6 | 5 | 4 | 3 | 2 | 1 | 0 |   |
|------------|------------|---------------|-------|--|----|----|----|----|----|----|----|----|----|----|----|----|----|----|----|----|----|----|---|---|---|---|---|---|---|---|---|---|---|
| ID         |            |               |       |  |    |    |    |    |    |    |    |    |    |    |    |    |    |    |    |    |    |    |   |   |   |   |   |   |   |   |   | A |   |
| Reset      | 0x00000000 |               |       |  |    |    |    |    |    |    |    |    |    |    |    |    |    |    |    |    |    |    |   |   |   |   |   |   |   |   |   |   |   |
| 0          | 0          | 0             | 0     | 0  | 0  | 0  | 0  | 0  | 0  | 0  | 0  | 0  | 0  | 0  | 0  | 0  | 0  | 0  | 0  | 0  | 0  | 0  | 0 | 0 | 0 | 0 | 0 | 0 | 0 | 0 | 0 | 0 | 0 |
| ID         | Acce Field | Value ID      | Value | Description  |    |    |    |    |    |    |    |    |    |    |    |    |    |    |    |    |    |    |   |   |   |   |   |   |   |   |   |   |   |
| A          | W          | TASKS_STOPECB |       | Abort a possible executing ECB operation   |    |    |    |    |    |    |    |    |    |    |    |    |    |    |    |    |    |    |   |   |   |   |   |   |   |   |   |   |   |
|            |            |               |       | If a running ECB operation is aborted by STOPECB, the ERRORECB event is triggered. |    |    |    |    |    |    |    |    |    |    |    |    |    |    |    |    |    |    |   |   |   |   |   |   |   |   |   |   |   |
|            |            | Trigger       | 1     | Trigger task   |    |    |    |    |    |    |    |    |    |    |    |    |    |    |    |    |    |    |   |   |   |   |   |   |   |   |   |   |   |

### 6.7.4.3 EVENTS\_ENDECB

Address offset: 0x100

ECB block encrypt complete

| Bit number | 31         | 30            | 29    | 28                         | 27 | 26 | 25 | 24 | 23 | 22 | 21 | 20 | 19 | 18 | 17 | 16 | 15 | 14 | 13 | 12 | 11 | 10 | 9 | 8 | 7 | 6 | 5 | 4 | 3 | 2 | 1 | 0 |
|------------|------------|---------------|-------|----------------------------|----|----|----|----|----|----|----|----|----|----|----|----|----|----|----|----|----|----|---|---|---|---|---|---|---|---|---|---|
| ID         |            |               |       |                            |    |    |    |    |    |    |    |    |    |    |    |    |    |    |    |    |    |    |   |   |   |   |   |   |   |   |   | A |
| Reset      | 0x00000000 |               |       |                            |    |    |    |    |    |    |    |    |    |    |    |    |    |    |    |    |    |    |   |   |   |   |   |   |   |   |   |   |
| 0          | 0          | 0             | 0     | 0                          | 0  | 0  | 0  | 0  | 0  | 0  | 0  | 0  | 0  | 0  | 0  | 0  | 0  | 0  | 0  | 0  | 0  | 0  | 0 | 0 | 0 | 0 | 0 | 0 | 0 | 0 | 0 | 0 |
| ID         | Acce Field | Value ID      | Value | Description                |    |    |    |    |    |    |    |    |    |    |    |    |    |    |    |    |    |    |   |   |   |   |   |   |   |   |   |   |
| A          | RW         | EVENTS_ENDECB |       | ECB block encrypt complete |    |    |    |    |    |    |    |    |    |    |    |    |    |    |    |    |    |    |   |   |   |   |   |   |   |   |   |   |
|            |            | NotGenerated  | 0     | Event not generated        |    |    |    |    |    |    |    |    |    |    |    |    |    |    |    |    |    |    |   |   |   |   |   |   |   |   |   |   |
|            |            | Generated     | 1     | Event generated            |    |    |    |    |    |    |    |    |    |    |    |    |    |    |    |    |    |    |   |   |   |   |   |   |   |   |   |   |

### 6.7.4.4 EVENTS\_ERRORECB

Address offset: 0x104

ECB block encrypt aborted because of a STOPECB task or due to an error

| Bit number | 31         | 30              | 29    | 28   | 27 | 26 | 25 | 24 | 23 | 22 | 21 | 20 | 19 | 18 | 17 | 16 | 15 | 14 | 13 | 12 | 11 | 10 | 9 | 8 | 7 | 6 | 5 | 4 | 3 | 2 | 1 | 0 |
|------------|------------|-----------------|-------|--|----|----|----|----|----|----|----|----|----|----|----|----|----|----|----|----|----|----|---|---|---|---|---|---|---|---|---|---|
| ID         |            |                 |       |  |    |    |    |    |    |    |    |    |    |    |    |    |    |    |    |    |    |    |   |   |   |   |   |   |   |   |   | A |
| Reset      | 0x00000000 |                 |       |  |    |    |    |    |    |    |    |    |    |    |    |    |    |    |    |    |    |    |   |   |   |   |   |   |   |   |   |   |
| 0          | 0          | 0               | 0     | 0  | 0  | 0  | 0  | 0  | 0  | 0  | 0  | 0  | 0  | 0  | 0  | 0  | 0  | 0  | 0  | 0  | 0  | 0  | 0 | 0 | 0 | 0 | 0 | 0 | 0 | 0 | 0 | 0 |
| ID         | Acce Field | Value ID        | Value | Description  |    |    |    |    |    |    |    |    |    |    |    |    |    |    |    |    |    |    |   |   |   |   |   |   |   |   |   |   |
| A          | RW         | EVENTS_ERRORECB |       | ECB block encrypt aborted because of a STOPECB task or due to an error |    |    |    |    |    |    |    |    |    |    |    |    |    |    |    |    |    |    |   |   |   |   |   |   |   |   |   |   |
|            |            | NotGenerated    | 0     | Event not generated  |    |    |    |    |    |    |    |    |    |    |    |    |    |    |    |    |    |    |   |   |   |   |   |   |   |   |   |   |
|            |            | Generated       | 1     | Event generated  |    |    |    |    |    |    |    |    |    |    |    |    |    |    |    |    |    |    |   |   |   |   |   |   |   |   |   |   |

### 6.7.4.5 INTENSET

Address offset: 0x304

Enable interrupt

| Bit number              | 31 30 29 28 27 26 25 24 23 22 21 20 19 18 17 16 15 14 13 12 11 10 9 8 7 6 5 4 3 2 1 0 |          |       |  |  |  |  |  |  |  |  |  |  |  |  |  |  |  |  |  |  |  |  |  |  |  |  |  |  |  |   |   |
|-------------------------|---|----------|-------|--|--|--|--|--|--|--|--|--|--|--|--|--|--|--|--|--|--|--|--|--|--|--|--|--|--|--|---|---|
| ID                      |   |          |       |  |  |  |  |  |  |  |  |  |  |  |  |  |  |  |  |  |  |  |  |  |  |  |  |  |  |  | B | A |
| <b>Reset 0x00000000</b> | <b>0 0</b>      |          |       |  |  |  |  |  |  |  |  |  |  |  |  |  |  |  |  |  |  |  |  |  |  |  |  |  |  |  |   |   |
| ID                      | Acce Field  | Value ID | Value | Description  |  |  |  |  |  |  |  |  |  |  |  |  |  |  |  |  |  |  |  |  |  |  |  |  |  |  |   |   |
| A                       | RW ENDECB   |          |       | Write '1' to enable interrupt for event <a href="#">ENDECB</a>   |  |  |  |  |  |  |  |  |  |  |  |  |  |  |  |  |  |  |  |  |  |  |  |  |  |  |   |   |
|                         |   | Set      | 1     | Enable   |  |  |  |  |  |  |  |  |  |  |  |  |  |  |  |  |  |  |  |  |  |  |  |  |  |  |   |   |
|                         |   | Disabled | 0     | Read: Disabled   |  |  |  |  |  |  |  |  |  |  |  |  |  |  |  |  |  |  |  |  |  |  |  |  |  |  |   |   |
|                         |   | Enabled  | 1     | Read: Enabled  |  |  |  |  |  |  |  |  |  |  |  |  |  |  |  |  |  |  |  |  |  |  |  |  |  |  |   |   |
| B                       | RW ERRORECB   |          |       | Write '1' to enable interrupt for event <a href="#">ERRORECB</a> |  |  |  |  |  |  |  |  |  |  |  |  |  |  |  |  |  |  |  |  |  |  |  |  |  |  |   |   |
|                         |   | Set      | 1     | Enable   |  |  |  |  |  |  |  |  |  |  |  |  |  |  |  |  |  |  |  |  |  |  |  |  |  |  |   |   |
|                         |   | Disabled | 0     | Read: Disabled   |  |  |  |  |  |  |  |  |  |  |  |  |  |  |  |  |  |  |  |  |  |  |  |  |  |  |   |   |
|                         |   | Enabled  | 1     | Read: Enabled  |  |  |  |  |  |  |  |  |  |  |  |  |  |  |  |  |  |  |  |  |  |  |  |  |  |  |   |   |

### 6.7.4.6 INTENCLR

Address offset: 0x308

Disable interrupt

| Bit number              | 31 30 29 28 27 26 25 24 23 22 21 20 19 18 17 16 15 14 13 12 11 10 9 8 7 6 5 4 3 2 1 0 |          |       |   |  |  |  |  |  |  |  |  |  |  |  |  |  |  |  |  |  |  |  |  |  |  |  |  |  |  |   |   |
|-------------------------|---|----------|-------|---|--|--|--|--|--|--|--|--|--|--|--|--|--|--|--|--|--|--|--|--|--|--|--|--|--|--|---|---|
| ID                      |   |          |       |   |  |  |  |  |  |  |  |  |  |  |  |  |  |  |  |  |  |  |  |  |  |  |  |  |  |  | B | A |
| <b>Reset 0x00000000</b> | <b>0 0</b>      |          |       |   |  |  |  |  |  |  |  |  |  |  |  |  |  |  |  |  |  |  |  |  |  |  |  |  |  |  |   |   |
| ID                      | Acce Field  | Value ID | Value | Description   |  |  |  |  |  |  |  |  |  |  |  |  |  |  |  |  |  |  |  |  |  |  |  |  |  |  |   |   |
| A                       | RW ENDECB   |          |       | Write '1' to disable interrupt for event <a href="#">ENDECB</a>   |  |  |  |  |  |  |  |  |  |  |  |  |  |  |  |  |  |  |  |  |  |  |  |  |  |  |   |   |
|                         |   | Clear    | 1     | Disable   |  |  |  |  |  |  |  |  |  |  |  |  |  |  |  |  |  |  |  |  |  |  |  |  |  |  |   |   |
|                         |   | Disabled | 0     | Read: Disabled  |  |  |  |  |  |  |  |  |  |  |  |  |  |  |  |  |  |  |  |  |  |  |  |  |  |  |   |   |
|                         |   | Enabled  | 1     | Read: Enabled   |  |  |  |  |  |  |  |  |  |  |  |  |  |  |  |  |  |  |  |  |  |  |  |  |  |  |   |   |
| B                       | RW ERRORECB   |          |       | Write '1' to disable interrupt for event <a href="#">ERRORECB</a> |  |  |  |  |  |  |  |  |  |  |  |  |  |  |  |  |  |  |  |  |  |  |  |  |  |  |   |   |
|                         |   | Clear    | 1     | Disable   |  |  |  |  |  |  |  |  |  |  |  |  |  |  |  |  |  |  |  |  |  |  |  |  |  |  |   |   |
|                         |   | Disabled | 0     | Read: Disabled  |  |  |  |  |  |  |  |  |  |  |  |  |  |  |  |  |  |  |  |  |  |  |  |  |  |  |   |   |
|                         |   | Enabled  | 1     | Read: Enabled   |  |  |  |  |  |  |  |  |  |  |  |  |  |  |  |  |  |  |  |  |  |  |  |  |  |  |   |   |

### 6.7.4.7 ECBDATAPTR

Address offset: 0x504

ECB block encrypt memory pointers

| Bit number              | 31 30 29 28 27 26 25 24 23 22 21 20 19 18 17 16 15 14 13 12 11 10 9 8 7 6 5 4 3 2 1 0 |          |       |   |  |  |  |  |  |  |  |  |  |  |  |  |  |  |  |  |  |  |  |  |  |  |  |  |  |  |   |   |
|-------------------------|---|----------|-------|---|--|--|--|--|--|--|--|--|--|--|--|--|--|--|--|--|--|--|--|--|--|--|--|--|--|--|---|---|
| ID                      | A   |          |       |   |  |  |  |  |  |  |  |  |  |  |  |  |  |  |  |  |  |  |  |  |  |  |  |  |  |  | A | A |
| <b>Reset 0x00000000</b> | <b>0 0</b>      |          |       |   |  |  |  |  |  |  |  |  |  |  |  |  |  |  |  |  |  |  |  |  |  |  |  |  |  |  |   |   |
| ID                      | Acce Field  | Value ID | Value | Description   |  |  |  |  |  |  |  |  |  |  |  |  |  |  |  |  |  |  |  |  |  |  |  |  |  |  |   |   |
| A                       | RW ECBDATAPTR   |          |       | Pointer to the ECB data structure (see Table 1 ECB data structure overview) |  |  |  |  |  |  |  |  |  |  |  |  |  |  |  |  |  |  |  |  |  |  |  |  |  |  |   |   |

## 6.7.5 Electrical specification

### 6.7.5.1 ECB Electrical Specification

| Symbol    | Description                             | Min. | Typ. | Max. | Units   |
|-----------|---|------|------|------|---------|
| $t_{ECB}$ | Run time per 16 byte block in all modes |      |      | 7.2  | $\mu$ s |



## 6.8 EGU — Event generator unit

Event generator unit (EGU) provides support for interlayer signaling. This means providing support for atomic triggering of both CPU execution and hardware tasks, from both firmware (by CPU) and hardware (by PPI). This feature can be used for triggering CPU execution at a lower priority execution from a higher priority execution, or to handle a peripheral's interrupt service routine (ISR) execution at a lower priority for some of its events. However, triggering any priority from any priority is possible.

Listed here are the main EGU features:

- Software-enabled interrupt triggering
- Separate interrupt vectors for every EGU instance
- Up to 16 separate event flags per interrupt for multiplexing

Each instance of EGU implements a set of tasks which can individually be triggered to generate the corresponding event. For example, the corresponding event for `TASKS_TRIGGER[n]` is `EVENTS_TRIGGERED[n]`. See [Instances](#) on page 149 for a list of EGU instances.

### 6.8.1 Registers

| Base address | Peripheral | Instance | Description            | Configuration |
|--------------|------------|----------|------------------------|---------------|
| 0x40014000   | EGU        | EGU0     | Event generator unit 0 |               |
| 0x40015000   | EGU        | EGU1     | Event generator unit 1 |               |
| 0x40016000   | EGU        | EGU2     | Event generator unit 2 |               |
| 0x40017000   | EGU        | EGU3     | Event generator unit 3 |               |
| 0x40018000   | EGU        | EGU4     | Event generator unit 4 |               |
| 0x40019000   | EGU        | EGU5     | Event generator unit 5 |               |

Table 46: Instances

| Register                         | Offset | Description   |
|----------------------------------|--------|---|
| <code>TASKS_TRIGGER[0]</code>    | 0x000  | Trigger 0 for triggering the corresponding <code>TRIGGERED[0]</code> event            |
| <code>TASKS_TRIGGER[1]</code>    | 0x004  | Trigger 1 for triggering the corresponding <code>TRIGGERED[1]</code> event            |
| <code>TASKS_TRIGGER[2]</code>    | 0x008  | Trigger 2 for triggering the corresponding <code>TRIGGERED[2]</code> event            |
| <code>TASKS_TRIGGER[3]</code>    | 0x00C  | Trigger 3 for triggering the corresponding <code>TRIGGERED[3]</code> event            |
| <code>TASKS_TRIGGER[4]</code>    | 0x010  | Trigger 4 for triggering the corresponding <code>TRIGGERED[4]</code> event            |
| <code>TASKS_TRIGGER[5]</code>    | 0x014  | Trigger 5 for triggering the corresponding <code>TRIGGERED[5]</code> event            |
| <code>TASKS_TRIGGER[6]</code>    | 0x018  | Trigger 6 for triggering the corresponding <code>TRIGGERED[6]</code> event            |
| <code>TASKS_TRIGGER[7]</code>    | 0x01C  | Trigger 7 for triggering the corresponding <code>TRIGGERED[7]</code> event            |
| <code>TASKS_TRIGGER[8]</code>    | 0x020  | Trigger 8 for triggering the corresponding <code>TRIGGERED[8]</code> event            |
| <code>TASKS_TRIGGER[9]</code>    | 0x024  | Trigger 9 for triggering the corresponding <code>TRIGGERED[9]</code> event            |
| <code>TASKS_TRIGGER[10]</code>   | 0x028  | Trigger 10 for triggering the corresponding <code>TRIGGERED[10]</code> event          |
| <code>TASKS_TRIGGER[11]</code>   | 0x02C  | Trigger 11 for triggering the corresponding <code>TRIGGERED[11]</code> event          |
| <code>TASKS_TRIGGER[12]</code>   | 0x030  | Trigger 12 for triggering the corresponding <code>TRIGGERED[12]</code> event          |
| <code>TASKS_TRIGGER[13]</code>   | 0x034  | Trigger 13 for triggering the corresponding <code>TRIGGERED[13]</code> event          |
| <code>TASKS_TRIGGER[14]</code>   | 0x038  | Trigger 14 for triggering the corresponding <code>TRIGGERED[14]</code> event          |
| <code>TASKS_TRIGGER[15]</code>   | 0x03C  | Trigger 15 for triggering the corresponding <code>TRIGGERED[15]</code> event          |
| <code>EVENTS_TRIGGERED[0]</code> | 0x100  | Event number 0 generated by triggering the corresponding <code>TRIGGER[0]</code> task |
| <code>EVENTS_TRIGGERED[1]</code> | 0x104  | Event number 1 generated by triggering the corresponding <code>TRIGGER[1]</code> task |
| <code>EVENTS_TRIGGERED[2]</code> | 0x108  | Event number 2 generated by triggering the corresponding <code>TRIGGER[2]</code> task |
| <code>EVENTS_TRIGGERED[3]</code> | 0x10C  | Event number 3 generated by triggering the corresponding <code>TRIGGER[3]</code> task |
| <code>EVENTS_TRIGGERED[4]</code> | 0x110  | Event number 4 generated by triggering the corresponding <code>TRIGGER[4]</code> task |
| <code>EVENTS_TRIGGERED[5]</code> | 0x114  | Event number 5 generated by triggering the corresponding <code>TRIGGER[5]</code> task |

| Register             | Offset | Description  |
|----------------------|--------|--|
| EVENTS_TRIGGERED[6]  | 0x118  | Event number 6 generated by triggering the corresponding TRIGGER[6] task   |
| EVENTS_TRIGGERED[7]  | 0x11C  | Event number 7 generated by triggering the corresponding TRIGGER[7] task   |
| EVENTS_TRIGGERED[8]  | 0x120  | Event number 8 generated by triggering the corresponding TRIGGER[8] task   |
| EVENTS_TRIGGERED[9]  | 0x124  | Event number 9 generated by triggering the corresponding TRIGGER[9] task   |
| EVENTS_TRIGGERED[10] | 0x128  | Event number 10 generated by triggering the corresponding TRIGGER[10] task |
| EVENTS_TRIGGERED[11] | 0x12C  | Event number 11 generated by triggering the corresponding TRIGGER[11] task |
| EVENTS_TRIGGERED[12] | 0x130  | Event number 12 generated by triggering the corresponding TRIGGER[12] task |
| EVENTS_TRIGGERED[13] | 0x134  | Event number 13 generated by triggering the corresponding TRIGGER[13] task |
| EVENTS_TRIGGERED[14] | 0x138  | Event number 14 generated by triggering the corresponding TRIGGER[14] task |
| EVENTS_TRIGGERED[15] | 0x13C  | Event number 15 generated by triggering the corresponding TRIGGER[15] task |
| INTEN                | 0x300  | Enable or disable interrupt  |
| INTENSET             | 0x304  | Enable interrupt   |
| INTENCLR             | 0x308  | Disable interrupt  |

Table 47: Register overview

### 6.8.1.1 TASKS\_TRIGGER[n] (n=0..15)

Address offset:  $0x000 + (n \times 0x4)$

Trigger n for triggering the corresponding TRIGGERED[n] event

| Bit number       | 31 30 29 28 27 26 25 24 23 22 21 20 19 18 17 16 15 14 13 12 11 10 9 8 7 6 5 4 3 2 1 0 |          |       |   |  |  |  |  |  |  |  |  |  |  |  |  |  |  |  |  |  |  |  |  |  |  |  |  |  |  |  |   |
|------------------|---|----------|-------|---|--|--|--|--|--|--|--|--|--|--|--|--|--|--|--|--|--|--|--|--|--|--|--|--|--|--|--|---|
| ID               |   |          |       |   |  |  |  |  |  |  |  |  |  |  |  |  |  |  |  |  |  |  |  |  |  |  |  |  |  |  |  | A |
| Reset 0x00000000 | 0             |          |       |   |  |  |  |  |  |  |  |  |  |  |  |  |  |  |  |  |  |  |  |  |  |  |  |  |  |  |  |   |
| ID               | Acce Field  | Value ID | Value | Description   |  |  |  |  |  |  |  |  |  |  |  |  |  |  |  |  |  |  |  |  |  |  |  |  |  |  |  |   |
| A                | W TASKS_TRIGGER   |          |       | Trigger n for triggering the corresponding TRIGGERED[n] event |  |  |  |  |  |  |  |  |  |  |  |  |  |  |  |  |  |  |  |  |  |  |  |  |  |  |  |   |
|                  |   | Trigger  | 1     | Trigger task  |  |  |  |  |  |  |  |  |  |  |  |  |  |  |  |  |  |  |  |  |  |  |  |  |  |  |  |   |

### 6.8.1.2 EVENTS\_TRIGGERED[n] (n=0..15)

Address offset:  $0x100 + (n \times 0x4)$

Event number n generated by triggering the corresponding TRIGGER[n] task

| Bit number       | 31 30 29 28 27 26 25 24 23 22 21 20 19 18 17 16 15 14 13 12 11 10 9 8 7 6 5 4 3 2 1 0 |              |       |  |  |  |  |  |  |  |  |  |  |  |  |  |  |  |  |  |  |  |  |  |  |  |  |  |  |  |  |   |
|------------------|---|--------------|-------|--|--|--|--|--|--|--|--|--|--|--|--|--|--|--|--|--|--|--|--|--|--|--|--|--|--|--|--|---|
| ID               |   |              |       |  |  |  |  |  |  |  |  |  |  |  |  |  |  |  |  |  |  |  |  |  |  |  |  |  |  |  |  | A |
| Reset 0x00000000 | 0             |              |       |  |  |  |  |  |  |  |  |  |  |  |  |  |  |  |  |  |  |  |  |  |  |  |  |  |  |  |  |   |
| ID               | Acce Field  | Value ID     | Value | Description  |  |  |  |  |  |  |  |  |  |  |  |  |  |  |  |  |  |  |  |  |  |  |  |  |  |  |  |   |
| A                | RW EVENTS_TRIGGERED   |              |       | Event number n generated by triggering the corresponding TRIGGER[n] task |  |  |  |  |  |  |  |  |  |  |  |  |  |  |  |  |  |  |  |  |  |  |  |  |  |  |  |   |
|                  |   | NotGenerated | 0     | Event not generated  |  |  |  |  |  |  |  |  |  |  |  |  |  |  |  |  |  |  |  |  |  |  |  |  |  |  |  |   |
|                  |   | Generated    | 1     | Event generated  |  |  |  |  |  |  |  |  |  |  |  |  |  |  |  |  |  |  |  |  |  |  |  |  |  |  |  |   |

### 6.8.1.3 INTEN

Address offset: 0x300

Enable or disable interrupt

| Bit number | 31 30 29 28 27 26 25 24 23 22 21 20 19 18 17 16 15 14 13 12 11 10 9 8 7 6 5 4 3 2 1 0 |                        |       |  |  |  |  |  |  |  |  |  |  |  |  |  |  |  |  |  |  |  |  |  |  |  |  |  |  |  |  |
|------------|---|------------------------|-------|--|--|--|--|--|--|--|--|--|--|--|--|--|--|--|--|--|--|--|--|--|--|--|--|--|--|--|--|
| ID         | P O N M L K J I H G F E D C B A   |                        |       |  |  |  |  |  |  |  |  |  |  |  |  |  |  |  |  |  |  |  |  |  |  |  |  |  |  |  |  |
| Reset      | 0x00000000  |                        |       |  |  |  |  |  |  |  |  |  |  |  |  |  |  |  |  |  |  |  |  |  |  |  |  |  |  |  |  |
| Reset      | 0             |                        |       |  |  |  |  |  |  |  |  |  |  |  |  |  |  |  |  |  |  |  |  |  |  |  |  |  |  |  |  |
| ID         | Acce Field  | Value ID               | Value | Description  |  |  |  |  |  |  |  |  |  |  |  |  |  |  |  |  |  |  |  |  |  |  |  |  |  |  |  |
| A-P        | RW  | TRIGGERED[i] (i=0..15) |       | Enable or disable interrupt for event TRIGGERED[i] |  |  |  |  |  |  |  |  |  |  |  |  |  |  |  |  |  |  |  |  |  |  |  |  |  |  |  |
|            |   | Disabled               | 0     | Disable  |  |  |  |  |  |  |  |  |  |  |  |  |  |  |  |  |  |  |  |  |  |  |  |  |  |  |  |
|            |   | Enabled                | 1     | Enable   |  |  |  |  |  |  |  |  |  |  |  |  |  |  |  |  |  |  |  |  |  |  |  |  |  |  |  |

### 6.8.1.4 INTENSET

Address offset: 0x304

Enable interrupt

| Bit number | 31 30 29 28 27 26 25 24 23 22 21 20 19 18 17 16 15 14 13 12 11 10 9 8 7 6 5 4 3 2 1 0 |                        |       |  |  |  |  |  |  |  |  |  |  |  |  |  |  |  |  |  |  |  |  |  |  |  |  |  |  |  |  |
|------------|---|------------------------|-------|--|--|--|--|--|--|--|--|--|--|--|--|--|--|--|--|--|--|--|--|--|--|--|--|--|--|--|--|
| ID         | P O N M L K J I H G F E D C B A   |                        |       |  |  |  |  |  |  |  |  |  |  |  |  |  |  |  |  |  |  |  |  |  |  |  |  |  |  |  |  |
| Reset      | 0x00000000  |                        |       |  |  |  |  |  |  |  |  |  |  |  |  |  |  |  |  |  |  |  |  |  |  |  |  |  |  |  |  |
| Reset      | 0             |                        |       |  |  |  |  |  |  |  |  |  |  |  |  |  |  |  |  |  |  |  |  |  |  |  |  |  |  |  |  |
| ID         | Acce Field  | Value ID               | Value | Description  |  |  |  |  |  |  |  |  |  |  |  |  |  |  |  |  |  |  |  |  |  |  |  |  |  |  |  |
| A-P        | RW  | TRIGGERED[i] (i=0..15) |       | Write '1' to enable interrupt for event TRIGGERED[i] |  |  |  |  |  |  |  |  |  |  |  |  |  |  |  |  |  |  |  |  |  |  |  |  |  |  |  |
|            |   | Set                    | 1     | Enable   |  |  |  |  |  |  |  |  |  |  |  |  |  |  |  |  |  |  |  |  |  |  |  |  |  |  |  |
|            |   | Disabled               | 0     | Read: Disabled                                       |  |  |  |  |  |  |  |  |  |  |  |  |  |  |  |  |  |  |  |  |  |  |  |  |  |  |  |
|            |   | Enabled                | 1     | Read: Enabled  |  |  |  |  |  |  |  |  |  |  |  |  |  |  |  |  |  |  |  |  |  |  |  |  |  |  |  |

### 6.8.1.5 INTENCLR

Address offset: 0x308

Disable interrupt

| Bit number | 31 30 29 28 27 26 25 24 23 22 21 20 19 18 17 16 15 14 13 12 11 10 9 8 7 6 5 4 3 2 1 0 |                        |       |   |  |  |  |  |  |  |  |  |  |  |  |  |  |  |  |  |  |  |  |  |  |  |  |  |  |  |  |
|------------|---|------------------------|-------|---|--|--|--|--|--|--|--|--|--|--|--|--|--|--|--|--|--|--|--|--|--|--|--|--|--|--|--|
| ID         | P O N M L K J I H G F E D C B A   |                        |       |   |  |  |  |  |  |  |  |  |  |  |  |  |  |  |  |  |  |  |  |  |  |  |  |  |  |  |  |
| Reset      | 0x00000000  |                        |       |   |  |  |  |  |  |  |  |  |  |  |  |  |  |  |  |  |  |  |  |  |  |  |  |  |  |  |  |
| Reset      | 0             |                        |       |   |  |  |  |  |  |  |  |  |  |  |  |  |  |  |  |  |  |  |  |  |  |  |  |  |  |  |  |
| ID         | Acce Field  | Value ID               | Value | Description   |  |  |  |  |  |  |  |  |  |  |  |  |  |  |  |  |  |  |  |  |  |  |  |  |  |  |  |
| A-P        | RW  | TRIGGERED[i] (i=0..15) |       | Write '1' to disable interrupt for event TRIGGERED[i] |  |  |  |  |  |  |  |  |  |  |  |  |  |  |  |  |  |  |  |  |  |  |  |  |  |  |  |
|            |   | Clear                  | 1     | Disable   |  |  |  |  |  |  |  |  |  |  |  |  |  |  |  |  |  |  |  |  |  |  |  |  |  |  |  |
|            |   | Disabled               | 0     | Read: Disabled  |  |  |  |  |  |  |  |  |  |  |  |  |  |  |  |  |  |  |  |  |  |  |  |  |  |  |  |
|            |   | Enabled                | 1     | Read: Enabled   |  |  |  |  |  |  |  |  |  |  |  |  |  |  |  |  |  |  |  |  |  |  |  |  |  |  |  |

## 6.8.2 Electrical specification

### 6.8.2.1 EGU Electrical Specification

| Symbol        | Description   | Min. | Typ. | Max. | Units  |
|---------------|---|------|------|------|--------|
| $t_{EGU,EVT}$ | Latency between setting an EGU event flag and the system setting an interrupt |      | 1    |      | cycles |

## 6.9 GPIO — General purpose input/output

The general purpose input/output pins (GPIOs) are grouped as one or more ports, with each port having up to 32 GPIOs.

The number of ports and GPIOs per port varies with product variant and package. Refer to [Registers](#) on page 154 and [Pin assignments](#) on page 577 for more information about the number of GPIOs that are supported.

GPIO has the following user-configurable features:

- Up to 32 GPIO pins per GPIO port
- Output drive strength
- Internal pull-up and pull-down resistors
- Wake-up from high or low level triggers on all pins
- Trigger interrupt on state changes on any pin
- All pins can be used by the PPI task/event system
- **One or more GPIO outputs can be controlled through the PPI and GPIOTE channels**
- Any pin can be mapped to a peripheral for layout flexibility
- GPIO state changes captured on the SENSE signal can be stored by the LATCH register

The GPIO port peripheral implements up to 32 pins, `PIN0` through `PIN31`. Each of these pins can be individually configured in the `PIN_CNF[n]` registers ( $n=0..31$ ).

The following parameters can be configured through these registers:

- Direction
- Drive strength
- Enabling of pull-up and pull-down resistors
- Pin sensing
- Input buffer disconnect
- Analog input (for selected pins)

The `PIN_CNF` registers are retained registers. See [POWER — Power supply](#) on page 64 for more information about retained registers.

### 6.9.1 Pin configuration

Pins can be individually configured through the `SENSE` field in the `PIN_CNF[n]` register to detect either a high or low level input.

When the correct level is detected on a configured pin, the sense mechanism will set the `DETECT` signal high. Each pin has a separate `DETECT` signal. Default behavior, defined by the `DETECTMODE` register, combines all `DETECT` signals from the pins in the GPIO port into one common `DETECT` signal and routes it through the system to be utilized by other peripherals. This mechanism is functional in both System ON and System OFF mode. See [GPIO port and the GPIO pin details](#) on page 153.

The following figure illustrates the GPIO port containing 32 individual pins, where `PIN0` is shown in more detail for reference. All signals on the left side of the illustration are used by other peripherals in the system and therefore not directly available to the CPU.

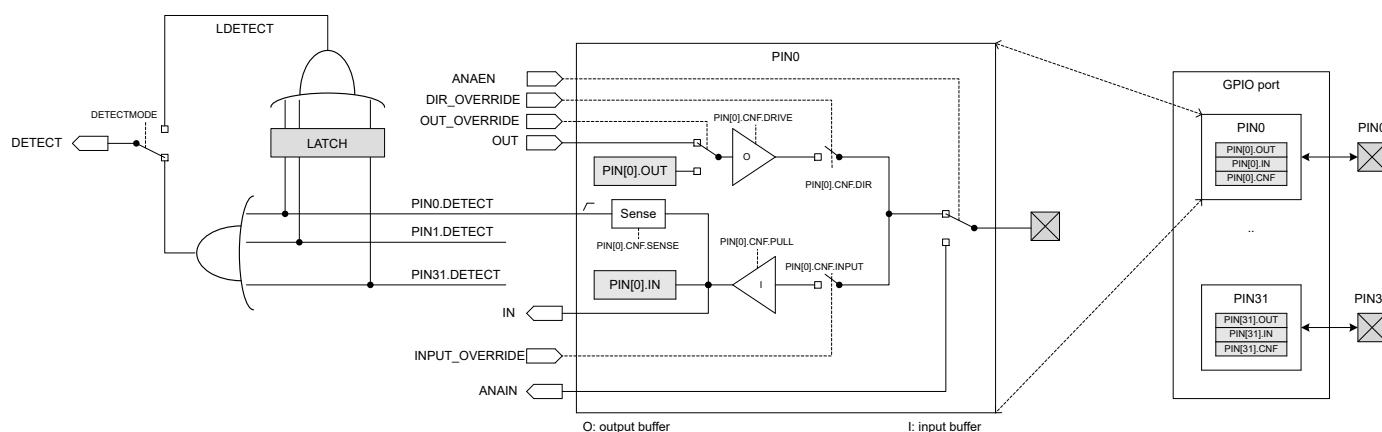


Figure 45: GPIO port and the GPIO pin details

Pins should be in a level that cannot trigger the sense mechanism before being enabled. If the SENSE condition configured in the PIN\_CNF registers is met when the sense mechanism is enabled, the DETECT signal will immediately go high. A PORT event is triggered if the DETECT signal was low before enabling the sense mechanism. See [GPIOTE — GPIO tasks and events](#) on page 160.

See the following peripherals for more information about how the DETECT signal is used:

- [POWER — Power supply](#) on page 64 - uses the DETECT signal to exit from System OFF mode.
- [GPIOTE — GPIO tasks and events](#) on page 160 - uses the DETECT signal to generate the PORT event.

When a pin's PINx.DETECT signal goes high, a flag is set in the LATCH register. For example, when the PIN0.DETECT signal goes high, bit 0 in the LATCH register is set to 1. If the CPU performs a clear operation on a bit in the LATCH register when the associated PINx.DETECT signal is high, the bit in the LATCH register will not be cleared. The LATCH register will only be cleared if the CPU explicitly clears it by writing a 1 to the bit that shall be cleared, i.e. the LATCH register will not be affected by a PINx.DETECT signal being set low.

The LDETECT signal will be set high when one or more bits in the LATCH register are 1. The LDETECT signal will be set low when all bits in the LATCH register are successfully cleared to 0.

If one or more bits in the LATCH register are 1 after the CPU has performed a clear operation on the LATCH register, a rising edge will be generated on the LDETECT signal. This is illustrated in [DETECT signal behavior](#) on page 154.

**Note:** The CPU can read the LATCH register at any time to check if a SENSE condition has been met on any of the GPIO pins. This is still valid if that condition is no longer met at the time the CPU queries the LATCH register. This mechanism will work even if the LDETECT signal is not used as the DETECT signal.

The LDETECT signal is by default not connected to the GPIO port's DETECT signal, but via the DETECTMODE register. It is possible to change from default behavior to the DETECT signal that is derived directly from the LDETECT signal. See [GPIO port and the GPIO pin details](#) on page 153. The following figure illustrates the DETECT signal behavior for these two alternatives.

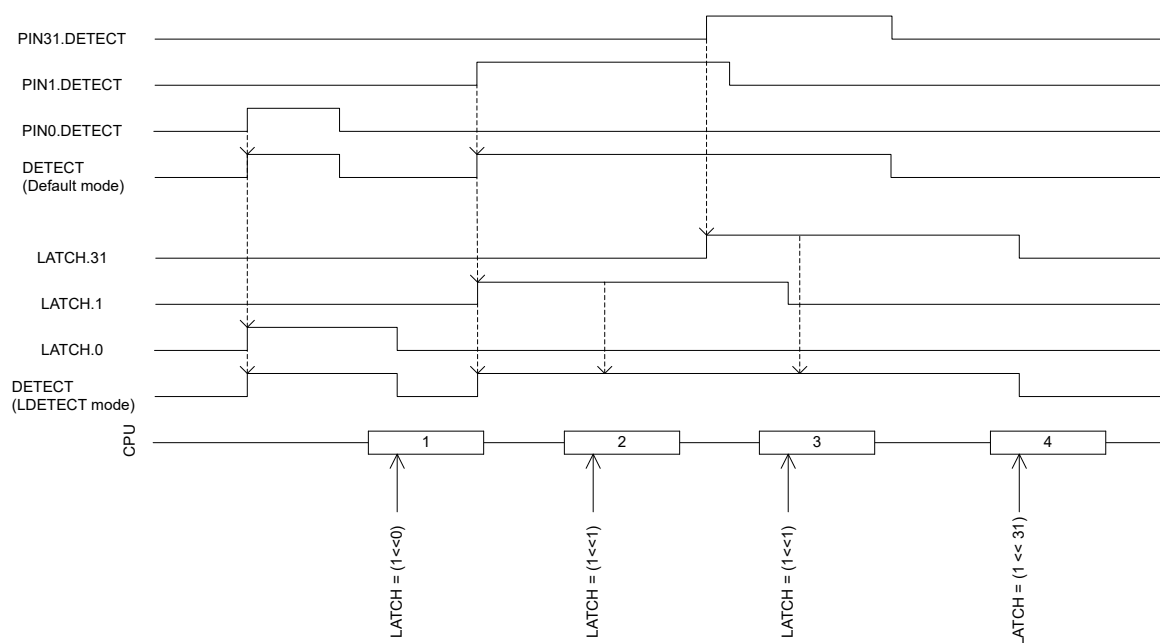


Figure 46: DETECT signal behavior

A GPIO pin input buffer can be disconnected from the pin to enable power savings when the pin is not used as an input, see [GPIO port and the GPIO pin details](#) on page 153. Input buffers must be connected to get a valid input value in the IN register, and for the sense mechanism to get access to the pin.

Other peripherals in the system can connect to GPIO pins and override their output value and configuration, or read their analog or digital input value. See [GPIO port and the GPIO pin details](#) on page 153.

Selected pins also support analog input signals, see ANAIN in [GPIO port and the GPIO pin details](#) on page 153. The assignment of the analog pins can be found in [Pin assignments](#) on page 577.

**Note:** When a pin is configured as digital input, increased current consumption occurs when the input voltage is between  $V_{IL}$  and  $V_{IH}$ . It is good practice to ensure that the external circuitry does not drive that pin to levels between  $V_{IL}$  and  $V_{IH}$  for a long period of time.

## 6.9.2 Registers

| Base address | Peripheral | Instance | Description                              | Configuration              |
|--------------|------------|----------|--|----------------------------|
| 0x50000000   | GPIO       | GPIO     | General purpose input and output         | Deprecated                 |
| 0x50000000   | GPIO       | P0       | General purpose input and output, port 0 | P0.00 to P0.31 implemented |
| 0x50000300   | GPIO       | P1       | General purpose input and output, port 1 | P1.00 to P1.15 implemented |

Table 48: Instances

| Register | Offset | Description                      |
|----------|--------|----------------------------------|
| OUT      | 0x504  | Write GPIO port                  |
| OUTSET   | 0x508  | Set individual bits in GPIO port |

| Register    | Offset | Description   |
|-------------|--------|---|
| OUTCLR      | 0x50C  | Clear individual bits in GPIO port  |
| IN          | 0x510  | Read GPIO port  |
| DIR         | 0x514  | Direction of GPIO pins  |
| DIRSET      | 0x518  | DIR set register  |
| DIRCLR      | 0x51C  | DIR clear register  |
| LATCH       | 0x520  | Latch register indicating what GPIO pins that have met the criteria set in the PIN_CNF[n].SENSE registers |
| DETECTMODE  | 0x524  | Select between default DETECT signal behavior and LDETECT mode  |
| PIN_CNF[0]  | 0x700  | Configuration of GPIO pins  |
| PIN_CNF[1]  | 0x704  | Configuration of GPIO pins  |
| PIN_CNF[2]  | 0x708  | Configuration of GPIO pins  |
| PIN_CNF[3]  | 0x70C  | Configuration of GPIO pins  |
| PIN_CNF[4]  | 0x710  | Configuration of GPIO pins  |
| PIN_CNF[5]  | 0x714  | Configuration of GPIO pins  |
| PIN_CNF[6]  | 0x718  | Configuration of GPIO pins  |
| PIN_CNF[7]  | 0x71C  | Configuration of GPIO pins  |
| PIN_CNF[8]  | 0x720  | Configuration of GPIO pins  |
| PIN_CNF[9]  | 0x724  | Configuration of GPIO pins  |
| PIN_CNF[10] | 0x728  | Configuration of GPIO pins  |
| PIN_CNF[11] | 0x72C  | Configuration of GPIO pins  |
| PIN_CNF[12] | 0x730  | Configuration of GPIO pins  |
| PIN_CNF[13] | 0x734  | Configuration of GPIO pins  |
| PIN_CNF[14] | 0x738  | Configuration of GPIO pins  |
| PIN_CNF[15] | 0x73C  | Configuration of GPIO pins  |
| PIN_CNF[16] | 0x740  | Configuration of GPIO pins  |
| PIN_CNF[17] | 0x744  | Configuration of GPIO pins  |
| PIN_CNF[18] | 0x748  | Configuration of GPIO pins  |
| PIN_CNF[19] | 0x74C  | Configuration of GPIO pins  |
| PIN_CNF[20] | 0x750  | Configuration of GPIO pins  |
| PIN_CNF[21] | 0x754  | Configuration of GPIO pins  |
| PIN_CNF[22] | 0x758  | Configuration of GPIO pins  |
| PIN_CNF[23] | 0x75C  | Configuration of GPIO pins  |
| PIN_CNF[24] | 0x760  | Configuration of GPIO pins  |
| PIN_CNF[25] | 0x764  | Configuration of GPIO pins  |
| PIN_CNF[26] | 0x768  | Configuration of GPIO pins  |
| PIN_CNF[27] | 0x76C  | Configuration of GPIO pins  |
| PIN_CNF[28] | 0x770  | Configuration of GPIO pins  |
| PIN_CNF[29] | 0x774  | Configuration of GPIO pins  |
| PIN_CNF[30] | 0x778  | Configuration of GPIO pins  |
| PIN_CNF[31] | 0x77C  | Configuration of GPIO pins  |

Table 49: Register overview

### 6.9.2.1 OUT

Address offset: 0x504

Write GPIO port

| Bit number       | 31   | 30               | 29       | 28    | 27                 | 26 | 25 | 24 | 23 | 22 | 21 | 20 | 19 | 18 | 17 | 16 | 15 | 14 | 13 | 12 | 11 | 10 | 9 | 8 | 7 | 6 | 5 | 4 | 3 | 2 | 1 | 0 |
|------------------|------|------------------|----------|-------|--------------------|----|----|----|----|----|----|----|----|----|----|----|----|----|----|----|----|----|---|---|---|---|---|---|---|---|---|---|
| ID               | f    | e                | d        | c     | b                  | a  | Z  | Y  | X  | W  | V  | U  | T  | S  | R  | Q  | P  | O  | N  | M  | L  | K  | J | I | H | G | F | E | D | C | B | A |
| Reset 0x00000000 | 0    | 0                | 0        | 0     | 0                  | 0  | 0  | 0  | 0  | 0  | 0  | 0  | 0  | 0  | 0  | 0  | 0  | 0  | 0  | 0  | 0  | 0  | 0 | 0 | 0 | 0 | 0 | 0 | 0 | 0 | 0 | 0 |
| ID               | Acce | Field            | Value ID | Value | Description        |    |    |    |    |    |    |    |    |    |    |    |    |    |    |    |    |    |   |   |   |   |   |   |   |   |   |   |
| A-f              | RW   | PIN[i] (i=0..31) |          |       | Pin i              |    |    |    |    |    |    |    |    |    |    |    |    |    |    |    |    |    |   |   |   |   |   |   |   |   |   |   |
|                  |      |                  | Low      | 0     | Pin driver is low  |    |    |    |    |    |    |    |    |    |    |    |    |    |    |    |    |    |   |   |   |   |   |   |   |   |   |   |
|                  |      |                  | High     | 1     | Pin driver is high |    |    |    |    |    |    |    |    |    |    |    |    |    |    |    |    |    |   |   |   |   |   |   |   |   |   |   |

### 6.9.2.2 OUTSET

Address offset: 0x508

Set individual bits in GPIO port

Read: reads value of OUT register.

| Bit number       | 31   | 30               | 29       | 28    | 27  | 26 | 25 | 24 | 23 | 22 | 21 | 20 | 19 | 18 | 17 | 16 | 15 | 14 | 13 | 12 | 11 | 10 | 9 | 8 | 7 | 6 | 5 | 4 | 3 | 2 | 1 | 0 |
|------------------|------|------------------|----------|-------|---|----|----|----|----|----|----|----|----|----|----|----|----|----|----|----|----|----|---|---|---|---|---|---|---|---|---|---|
| ID               | f    | e                | d        | c     | b   | a  | Z  | Y  | X  | W  | V  | U  | T  | S  | R  | Q  | P  | O  | N  | M  | L  | K  | J | I | H | G | F | E | D | C | B | A |
| Reset 0x00000000 | 0    | 0                | 0        | 0     | 0   | 0  | 0  | 0  | 0  | 0  | 0  | 0  | 0  | 0  | 0  | 0  | 0  | 0  | 0  | 0  | 0  | 0  | 0 | 0 | 0 | 0 | 0 | 0 | 0 | 0 | 0 | 0 |
| ID               | Acce | Field            | Value ID | Value | Description   |    |    |    |    |    |    |    |    |    |    |    |    |    |    |    |    |    |   |   |   |   |   |   |   |   |   |   |
| A-f              | RW   | PIN[i] (i=0..31) |          |       | Pin i   |    |    |    |    |    |    |    |    |    |    |    |    |    |    |    |    |    |   |   |   |   |   |   |   |   |   |   |
|                  |      |                  | Low      | 0     | Read: pin driver is low                             |    |    |    |    |    |    |    |    |    |    |    |    |    |    |    |    |    |   |   |   |   |   |   |   |   |   |   |
|                  |      |                  | High     | 1     | Read: pin driver is high                            |    |    |    |    |    |    |    |    |    |    |    |    |    |    |    |    |    |   |   |   |   |   |   |   |   |   |   |
|                  |      |                  | Set      | 1     | Write: a '1' sets the pin high; a '0' has no effect |    |    |    |    |    |    |    |    |    |    |    |    |    |    |    |    |    |   |   |   |   |   |   |   |   |   |   |

### 6.9.2.3 OUTCLR

Address offset: 0x50C

Clear individual bits in GPIO port

Read: reads value of OUT register.

| Bit number       | 31   | 30               | 29       | 28    | 27   | 26 | 25 | 24 | 23 | 22 | 21 | 20 | 19 | 18 | 17 | 16 | 15 | 14 | 13 | 12 | 11 | 10 | 9 | 8 | 7 | 6 | 5 | 4 | 3 | 2 | 1 | 0 |
|------------------|------|------------------|----------|-------|--|----|----|----|----|----|----|----|----|----|----|----|----|----|----|----|----|----|---|---|---|---|---|---|---|---|---|---|
| ID               | f    | e                | d        | c     | b  | a  | Z  | Y  | X  | W  | V  | U  | T  | S  | R  | Q  | P  | O  | N  | M  | L  | K  | J | I | H | G | F | E | D | C | B | A |
| Reset 0x00000000 | 0    | 0                | 0        | 0     | 0  | 0  | 0  | 0  | 0  | 0  | 0  | 0  | 0  | 0  | 0  | 0  | 0  | 0  | 0  | 0  | 0  | 0  | 0 | 0 | 0 | 0 | 0 | 0 | 0 | 0 | 0 | 0 |
| ID               | Acce | Field            | Value ID | Value | Description  |    |    |    |    |    |    |    |    |    |    |    |    |    |    |    |    |    |   |   |   |   |   |   |   |   |   |   |
| A-f              | RW   | PIN[i] (i=0..31) |          |       | Pin i  |    |    |    |    |    |    |    |    |    |    |    |    |    |    |    |    |    |   |   |   |   |   |   |   |   |   |   |
|                  |      |                  | Low      | 0     | Read: pin driver is low                            |    |    |    |    |    |    |    |    |    |    |    |    |    |    |    |    |    |   |   |   |   |   |   |   |   |   |   |
|                  |      |                  | High     | 1     | Read: pin driver is high                           |    |    |    |    |    |    |    |    |    |    |    |    |    |    |    |    |    |   |   |   |   |   |   |   |   |   |   |
|                  |      |                  | Clear    | 1     | Write: a '1' sets the pin low; a '0' has no effect |    |    |    |    |    |    |    |    |    |    |    |    |    |    |    |    |    |   |   |   |   |   |   |   |   |   |   |

### 6.9.2.4 IN

Address offset: 0x510

Read GPIO port

| Bit number       | 31   | 30               | 29       | 28    | 27                | 26 | 25 | 24 | 23 | 22 | 21 | 20 | 19 | 18 | 17 | 16 | 15 | 14 | 13 | 12 | 11 | 10 | 9 | 8 | 7 | 6 | 5 | 4 | 3 | 2 | 1 | 0 |
|------------------|------|------------------|----------|-------|-------------------|----|----|----|----|----|----|----|----|----|----|----|----|----|----|----|----|----|---|---|---|---|---|---|---|---|---|---|
| ID               | f    | e                | d        | c     | b                 | a  | Z  | Y  | X  | W  | V  | U  | T  | S  | R  | Q  | P  | O  | N  | M  | L  | K  | J | I | H | G | F | E | D | C | B | A |
| Reset 0x00000000 | 0    | 0                | 0        | 0     | 0                 | 0  | 0  | 0  | 0  | 0  | 0  | 0  | 0  | 0  | 0  | 0  | 0  | 0  | 0  | 0  | 0  | 0  | 0 | 0 | 0 | 0 | 0 | 0 | 0 | 0 | 0 | 0 |
| ID               | Acce | Field            | Value ID | Value | Description       |    |    |    |    |    |    |    |    |    |    |    |    |    |    |    |    |    |   |   |   |   |   |   |   |   |   |   |
| A-f              | R    | PIN[i] (i=0..31) |          |       | Pin i             |    |    |    |    |    |    |    |    |    |    |    |    |    |    |    |    |    |   |   |   |   |   |   |   |   |   |   |
|                  |      |                  | Low      | 0     | Pin input is low  |    |    |    |    |    |    |    |    |    |    |    |    |    |    |    |    |    |   |   |   |   |   |   |   |   |   |   |
|                  |      |                  | High     | 1     | Pin input is high |    |    |    |    |    |    |    |    |    |    |    |    |    |    |    |    |    |   |   |   |   |   |   |   |   |   |   |



### 6.9.2.5 DIR

Address offset: 0x514

Direction of GPIO pins

| Bit number       | 31                  | 30       | 29    | 28                | 27 | 26 | 25 | 24 | 23 | 22 | 21 | 20 | 19 | 18 | 17 | 16 | 15 | 14 | 13 | 12 | 11 | 10 | 9 | 8 | 7 | 6 | 5 | 4 | 3 | 2 | 1 | 0 |
|------------------|---------------------|----------|-------|-------------------|----|----|----|----|----|----|----|----|----|----|----|----|----|----|----|----|----|----|---|---|---|---|---|---|---|---|---|---|
| ID               | f                   | e        | d     | c                 | b  | a  | Z  | Y  | X  | W  | V  | U  | T  | S  | R  | Q  | P  | O  | N  | M  | L  | K  | J | I | H | G | F | E | D | C | B | A |
| Reset 0x00000000 | 0                   | 0        | 0     | 0                 | 0  | 0  | 0  | 0  | 0  | 0  | 0  | 0  | 0  | 0  | 0  | 0  | 0  | 0  | 0  | 0  | 0  | 0  | 0 | 0 | 0 | 0 | 0 | 0 | 0 | 0 | 0 | 0 |
| ID               | Acce Field          | Value ID | Value | Description       |    |    |    |    |    |    |    |    |    |    |    |    |    |    |    |    |    |    |   |   |   |   |   |   |   |   |   |   |
| A-f              | RW PIN[i] (i=0..31) |          |       | Pin i             |    |    |    |    |    |    |    |    |    |    |    |    |    |    |    |    |    |    |   |   |   |   |   |   |   |   |   |   |
|                  |                     | Input    | 0     | Pin set as input  |    |    |    |    |    |    |    |    |    |    |    |    |    |    |    |    |    |    |   |   |   |   |   |   |   |   |   |   |
|                  |                     | Output   | 1     | Pin set as output |    |    |    |    |    |    |    |    |    |    |    |    |    |    |    |    |    |    |   |   |   |   |   |   |   |   |   |   |

### 6.9.2.6 DIRSET

Address offset: 0x518

DIR set register

Read: reads value of DIR register.

| Bit number       | 31                  | 30       | 29    | 28   | 27 | 26 | 25 | 24 | 23 | 22 | 21 | 20 | 19 | 18 | 17 | 16 | 15 | 14 | 13 | 12 | 11 | 10 | 9 | 8 | 7 | 6 | 5 | 4 | 3 | 2 | 1 | 0 |
|------------------|---------------------|----------|-------|--|----|----|----|----|----|----|----|----|----|----|----|----|----|----|----|----|----|----|---|---|---|---|---|---|---|---|---|---|
| ID               | f                   | e        | d     | c  | b  | a  | Z  | Y  | X  | W  | V  | U  | T  | S  | R  | Q  | P  | O  | N  | M  | L  | K  | J | I | H | G | F | E | D | C | B | A |
| Reset 0x00000000 | 0                   | 0        | 0     | 0  | 0  | 0  | 0  | 0  | 0  | 0  | 0  | 0  | 0  | 0  | 0  | 0  | 0  | 0  | 0  | 0  | 0  | 0  | 0 | 0 | 0 | 0 | 0 | 0 | 0 | 0 | 0 | 0 |
| ID               | Acce Field          | Value ID | Value | Description  |    |    |    |    |    |    |    |    |    |    |    |    |    |    |    |    |    |    |   |   |   |   |   |   |   |   |   |   |
| A-f              | RW PIN[i] (i=0..31) |          |       | Set as output pin i                                  |    |    |    |    |    |    |    |    |    |    |    |    |    |    |    |    |    |    |   |   |   |   |   |   |   |   |   |   |
|                  |                     | Input    | 0     | Read: pin set as input                               |    |    |    |    |    |    |    |    |    |    |    |    |    |    |    |    |    |    |   |   |   |   |   |   |   |   |   |   |
|                  |                     | Output   | 1     | Read: pin set as output                              |    |    |    |    |    |    |    |    |    |    |    |    |    |    |    |    |    |    |   |   |   |   |   |   |   |   |   |   |
|                  |                     | Set      | 1     | Write: a '1' sets pin to output; a '0' has no effect |    |    |    |    |    |    |    |    |    |    |    |    |    |    |    |    |    |    |   |   |   |   |   |   |   |   |   |   |

### 6.9.2.7 DIRCLR

Address offset: 0x51C

DIR clear register

Read: reads value of DIR register.

| Bit number       | 31                  | 30       | 29    | 28  | 27 | 26 | 25 | 24 | 23 | 22 | 21 | 20 | 19 | 18 | 17 | 16 | 15 | 14 | 13 | 12 | 11 | 10 | 9 | 8 | 7 | 6 | 5 | 4 | 3 | 2 | 1 | 0 |
|------------------|---------------------|----------|-------|---|----|----|----|----|----|----|----|----|----|----|----|----|----|----|----|----|----|----|---|---|---|---|---|---|---|---|---|---|
| ID               | f                   | e        | d     | c   | b  | a  | Z  | Y  | X  | W  | V  | U  | T  | S  | R  | Q  | P  | O  | N  | M  | L  | K  | J | I | H | G | F | E | D | C | B | A |
| Reset 0x00000000 | 0                   | 0        | 0     | 0   | 0  | 0  | 0  | 0  | 0  | 0  | 0  | 0  | 0  | 0  | 0  | 0  | 0  | 0  | 0  | 0  | 0  | 0  | 0 | 0 | 0 | 0 | 0 | 0 | 0 | 0 | 0 | 0 |
| ID               | Acce Field          | Value ID | Value | Description   |    |    |    |    |    |    |    |    |    |    |    |    |    |    |    |    |    |    |   |   |   |   |   |   |   |   |   |   |
| A-f              | RW PIN[i] (i=0..31) |          |       | Set as input pin i                                  |    |    |    |    |    |    |    |    |    |    |    |    |    |    |    |    |    |    |   |   |   |   |   |   |   |   |   |   |
|                  |                     | Input    | 0     | Read: pin set as input                              |    |    |    |    |    |    |    |    |    |    |    |    |    |    |    |    |    |    |   |   |   |   |   |   |   |   |   |   |
|                  |                     | Output   | 1     | Read: pin set as output                             |    |    |    |    |    |    |    |    |    |    |    |    |    |    |    |    |    |    |   |   |   |   |   |   |   |   |   |   |
|                  |                     | Clear    | 1     | Write: a '1' sets pin to input; a '0' has no effect |    |    |    |    |    |    |    |    |    |    |    |    |    |    |    |    |    |    |   |   |   |   |   |   |   |   |   |   |

### 6.9.2.8 LATCH

Address offset: 0x520

Latch register indicating what GPIO pins that have met the criteria set in the PIN\_CNF[n].SENSE registers

| Bit number | 31   | 30               | 29         | 28    | 27  | 26 | 25 | 24 | 23 | 22 | 21 | 20 | 19 | 18 | 17 | 16 | 15 | 14 | 13 | 12 | 11 | 10 | 9 | 8 | 7 | 6 | 5 | 4 | 3 | 2 | 1 | 0 |
|------------|------|------------------|------------|-------|---|----|----|----|----|----|----|----|----|----|----|----|----|----|----|----|----|----|---|---|---|---|---|---|---|---|---|---|
| ID         | f    | e                | d          | c     | b   | a  | Z  | Y  | X  | W  | V  | U  | T  | S  | R  | Q  | P  | O  | N  | M  | L  | K  | J | I | H | G | F | E | D | C | B | A |
| Reset      | 0    | 0                | 0          | 0     | 0   | 0  | 0  | 0  | 0  | 0  | 0  | 0  | 0  | 0  | 0  | 0  | 0  | 0  | 0  | 0  | 0  | 0  | 0 | 0 | 0 | 0 | 0 | 0 | 0 | 0 | 0 | 0 |
| ID         | Acce | Field            | Value ID   | Value | Description   |    |    |    |    |    |    |    |    |    |    |    |    |    |    |    |    |    |   |   |   |   |   |   |   |   |   |   |
| A-f        | RW   | PIN[i] (i=0..31) |            |       | Status on whether PINi has met criteria set in PIN_CNFi.SENSE register. Write '1' to clear. |    |    |    |    |    |    |    |    |    |    |    |    |    |    |    |    |    |   |   |   |   |   |   |   |   |   |   |
|            |      |                  | NotLatched | 0     | Criteria has not been met   |    |    |    |    |    |    |    |    |    |    |    |    |    |    |    |    |    |   |   |   |   |   |   |   |   |   |   |
|            |      |                  | Latched    | 1     | Criteria has been met   |    |    |    |    |    |    |    |    |    |    |    |    |    |    |    |    |    |   |   |   |   |   |   |   |   |   |   |

### 6.9.2.9 DETECTMODE

Address offset: 0x524

Select between default DETECT signal behavior and LDETECT mode

| Bit number | 31   | 30         | 29       | 28    | 27   | 26 | 25 | 24 | 23 | 22 | 21 | 20 | 19 | 18 | 17 | 16 | 15 | 14 | 13 | 12 | 11 | 10 | 9 | 8 | 7 | 6 | 5 | 4 | 3 | 2 | 1 | 0 |
|------------|------|------------|----------|-------|--|----|----|----|----|----|----|----|----|----|----|----|----|----|----|----|----|----|---|---|---|---|---|---|---|---|---|---|
| ID         |      |            |          |       |  |    |    |    |    |    |    |    |    |    |    |    |    |    |    |    |    |    |   |   |   |   |   |   |   |   |   | A |
| Reset      | 0    |            |          |       |  |    |    |    |    |    |    |    |    |    |    |    |    |    |    |    |    |    |   |   |   |   |   |   |   |   |   |   |
| ID         | Acce | Field      | Value ID | Value | Description  |    |    |    |    |    |    |    |    |    |    |    |    |    |    |    |    |    |   |   |   |   |   |   |   |   |   |   |
| A          | RW   | DETECTMODE |          |       | Select between default DETECT signal behavior and LDETECT mode |    |    |    |    |    |    |    |    |    |    |    |    |    |    |    |    |    |   |   |   |   |   |   |   |   |   |   |
|            |      |            | Default  | 0     | DETECT directly connected to PIN DETECT signals                |    |    |    |    |    |    |    |    |    |    |    |    |    |    |    |    |    |   |   |   |   |   |   |   |   |   |   |
|            |      |            | LDETECT  | 1     | Use the latched LDETECT behavior                               |    |    |    |    |    |    |    |    |    |    |    |    |    |    |    |    |    |   |   |   |   |   |   |   |   |   |   |

### 6.9.2.10 PIN\_CNFi[n] (n=0..31)

Address offset: 0x700 + (n × 0x4)

Configuration of GPIO pins

| Bit number | 31   | 30    | 29         | 28    | 27  | 26 | 25 | 24 | 23 | 22 | 21 | 20 | 19 | 18 | 17 | 16 | 15 | 14 | 13 | 12 | 11 | 10 | 9 | 8 | 7 | 6 | 5 | 4 | 3 | 2 | 1 | 0 |   |   |   |
|------------|------|-------|------------|-------|---|----|----|----|----|----|----|----|----|----|----|----|----|----|----|----|----|----|---|---|---|---|---|---|---|---|---|---|---|---|---|
| ID         |      |       |            |       |   |    |    |    |    |    |    |    |    |    | E  | E  |    |    |    |    |    |    | D | D | D |   |   |   |   |   |   | C | C | B | A |
| Reset      | 0    |       |            |       |   |    |    |    |    |    |    |    |    |    |    |    |    |    |    |    |    |    |   |   |   |   |   |   |   |   |   |   |   |   |   |
| ID         | Acce | Field | Value ID   | Value | Description   |    |    |    |    |    |    |    |    |    |    |    |    |    |    |    |    |    |   |   |   |   |   |   |   |   |   |   |   |   |   |
| A          | RW   | DIR   |            |       | Pin direction. Same physical register as DIR register                   |    |    |    |    |    |    |    |    |    |    |    |    |    |    |    |    |    |   |   |   |   |   |   |   |   |   |   |   |   |   |
|            |      |       | Input      | 0     | Configure pin as an input pin   |    |    |    |    |    |    |    |    |    |    |    |    |    |    |    |    |    |   |   |   |   |   |   |   |   |   |   |   |   |   |
|            |      |       | Output     | 1     | Configure pin as an output pin  |    |    |    |    |    |    |    |    |    |    |    |    |    |    |    |    |    |   |   |   |   |   |   |   |   |   |   |   |   |   |
| B          | RW   | INPUT |            |       | Connect or disconnect input buffer                                      |    |    |    |    |    |    |    |    |    |    |    |    |    |    |    |    |    |   |   |   |   |   |   |   |   |   |   |   |   |   |
|            |      |       | Connect    | 0     | Connect input buffer  |    |    |    |    |    |    |    |    |    |    |    |    |    |    |    |    |    |   |   |   |   |   |   |   |   |   |   |   |   |   |
|            |      |       | Disconnect | 1     | Disconnect input buffer   |    |    |    |    |    |    |    |    |    |    |    |    |    |    |    |    |    |   |   |   |   |   |   |   |   |   |   |   |   |   |
| C          | RW   | PULL  |            |       | Pull configuration  |    |    |    |    |    |    |    |    |    |    |    |    |    |    |    |    |    |   |   |   |   |   |   |   |   |   |   |   |   |   |
|            |      |       | Disabled   | 0     | No pull   |    |    |    |    |    |    |    |    |    |    |    |    |    |    |    |    |    |   |   |   |   |   |   |   |   |   |   |   |   |   |
|            |      |       | Pulldown   | 1     | Pull down on pin  |    |    |    |    |    |    |    |    |    |    |    |    |    |    |    |    |    |   |   |   |   |   |   |   |   |   |   |   |   |   |
|            |      |       | Pullup     | 3     | Pull up on pin  |    |    |    |    |    |    |    |    |    |    |    |    |    |    |    |    |    |   |   |   |   |   |   |   |   |   |   |   |   |   |
| D          | RW   | DRIVE |            |       | Drive configuration   |    |    |    |    |    |    |    |    |    |    |    |    |    |    |    |    |    |   |   |   |   |   |   |   |   |   |   |   |   |   |
|            |      |       | SOS1       | 0     | Standard '0', standard '1'  |    |    |    |    |    |    |    |    |    |    |    |    |    |    |    |    |    |   |   |   |   |   |   |   |   |   |   |   |   |   |
|            |      |       | HOS1       | 1     | High drive '0', standard '1'  |    |    |    |    |    |    |    |    |    |    |    |    |    |    |    |    |    |   |   |   |   |   |   |   |   |   |   |   |   |   |
|            |      |       | SOH1       | 2     | Standard '0', high drive '1'  |    |    |    |    |    |    |    |    |    |    |    |    |    |    |    |    |    |   |   |   |   |   |   |   |   |   |   |   |   |   |
|            |      |       | HOH1       | 3     | High drive '0', high 'drive '1''  |    |    |    |    |    |    |    |    |    |    |    |    |    |    |    |    |    |   |   |   |   |   |   |   |   |   |   |   |   |   |
|            |      |       | DOS1       | 4     | Disconnect '0' standard '1' (normally used for wired-or connections)    |    |    |    |    |    |    |    |    |    |    |    |    |    |    |    |    |    |   |   |   |   |   |   |   |   |   |   |   |   |   |
|            |      |       | DOH1       | 5     | Disconnect '0', high drive '1' (normally used for wired-or connections) |    |    |    |    |    |    |    |    |    |    |    |    |    |    |    |    |    |   |   |   |   |   |   |   |   |   |   |   |   |   |
|            |      |       | SOD1       | 6     | Standard '0'. disconnect '1' (normally used for wired-and connections)  |    |    |    |    |    |    |    |    |    |    |    |    |    |    |    |    |    |   |   |   |   |   |   |   |   |   |   |   |   |   |

| Bit number       | 31         | 30       | 29    | 28   | 27 | 26 | 25 | 24 | 23 | 22 | 21 | 20 | 19 | 18 | 17 | 16 | 15 | 14 | 13 | 12 | 11 | 10 | 9 | 8 | 7 | 6 | 5 | 4 | 3 | 2 | 1 | 0 |
|------------------|------------|----------|-------|--|----|----|----|----|----|----|----|----|----|----|----|----|----|----|----|----|----|----|---|---|---|---|---|---|---|---|---|---|
| ID               |            |          |       |  |    |    |    |    |    |    |    |    |    |    | E  | E  | D  |    |    | D  | D  | C  |   |   |   | C | B | A |   |   |   |   |
| Reset 0x00000002 | 0          |          |       |  |    |    |    |    |    |    |    |    |    |    | 0  | 0  | 0  |    |    | 0  | 0  | 0  |   |   |   | 0 | 0 | 1 | 0 |   |   |   |
| ID               | Acce Field | Value ID | Value | Description  |    |    |    |    |    |    |    |    |    |    |    |    |    |    |    |    |    |    |   |   |   |   |   |   |   |   |   |   |
|                  |            | HOD1     | 7     | High drive '0', disconnect '1' (normally used for wired-and connections) |    |    |    |    |    |    |    |    |    |    |    |    |    |    |    |    |    |    |   |   |   |   |   |   |   |   |   |   |
| E                | RW         | SENSE    |       | Pin sensing mechanism  |    |    |    |    |    |    |    |    |    |    |    |    |    |    |    |    |    |    |   |   |   |   |   |   |   |   |   |   |
|                  |            | Disabled | 0     | Disabled   |    |    |    |    |    |    |    |    |    |    |    |    |    |    |    |    |    |    |   |   |   |   |   |   |   |   |   |   |
|                  |            | High     | 2     | Sense for high level   |    |    |    |    |    |    |    |    |    |    |    |    |    |    |    |    |    |    |   |   |   |   |   |   |   |   |   |   |
|                  |            | Low      | 3     | Sense for low level  |    |    |    |    |    |    |    |    |    |    |    |    |    |    |    |    |    |    |   |   |   |   |   |   |   |   |   |   |

## 6.9.3 Electrical specification

### 6.9.3.1 GPIO Electrical Specification

| Symbol                | Description   | Min.      | Typ. | Max.      | Units |
|-----------------------|---|-----------|------|-----------|-------|
| V <sub>IH</sub>       | Input high voltage  | 0.7 x VDD |      | VDD       | V     |
| V <sub>IL</sub>       | Input low voltage   | VSS       |      | 0.3 x VDD | V     |
| V <sub>OH,SD</sub>    | Output high voltage, standard drive, 0.5 mA, VDD ≥ 1.7                | VDD - 0.4 |      | VDD       | V     |
| V <sub>OH,HDH</sub>   | Output high voltage, high drive, 5 mA, VDD ≥ 2.7 V                    | VDD - 0.4 |      | VDD       | V     |
| V <sub>OH,HDL</sub>   | Output high voltage, high drive, 3 mA, VDD ≥ 1.7 V                    | VDD - 0.4 |      | VDD       | V     |
| V <sub>OL,SD</sub>    | Output low voltage, standard drive, 0.5 mA, VDD ≥ 1.7                 | VSS       |      | VSS + 0.4 | V     |
| V <sub>OL,HDH</sub>   | Output low voltage, high drive, 5 mA, VDD ≥ 2.7 V                     | VSS       |      | VSS + 0.4 | V     |
| V <sub>OL,HDL</sub>   | Output low voltage, high drive, 3 mA, VDD ≥ 1.7 V                     | VSS       |      | VSS + 0.4 | V     |
| I <sub>OL,SD</sub>    | Current at VSS+0.4 V, output set low, standard drive, VDD ≥ 1.7       | 1         | 2    | 4         | mA    |
| I <sub>OL,HDH</sub>   | Current at VSS+0.4 V, output set low, high drive, VDD ≥ 2.7 V         | 6         | 10   | 15        | mA    |
| I <sub>OL,HDL</sub>   | Current at VSS+0.4 V, output set low, high drive, VDD ≥ 1.7 V         | 3         |      |           | mA    |
| I <sub>OH,SD</sub>    | Current at VDD-0.4 V, output set high, standard drive, VDD ≥ 1.7      | 1         | 2    | 4         | mA    |
| I <sub>OH,HDH</sub>   | Current at VDD-0.4 V, output set high, high drive, VDD ≥ 2.7 V        | 6         | 9    | 14        | mA    |
| I <sub>OH,HDL</sub>   | Current at VDD-0.4 V, output set high, high drive, VDD ≥ 1.7 V        | 3         |      |           | mA    |
| t <sub>RF,15pF</sub>  | Rise/fall time, standard drive mode, 10-90%, 15 pF load <sup>16</sup> |           | 9    |           | ns    |
| t <sub>RF,25pF</sub>  | Rise/fall time, standard drive mode, 10-90%, 25 pF load <sup>16</sup> |           | 13   |           | ns    |
| t <sub>RF,50pF</sub>  | Rise/fall time, standard drive mode, 10-90%, 50 pF load <sup>16</sup> |           | 25   |           | ns    |
| t <sub>HRF,15pF</sub> | Rise/Fall time, high drive mode, 10-90%, 15 pF load <sup>16</sup>     |           | 4    |           | ns    |
| t <sub>HRF,25pF</sub> | Rise/Fall time, high drive mode, 10-90%, 25 pF load <sup>16</sup>     |           | 5    |           | ns    |
| t <sub>HRF,50pF</sub> | Rise/Fall time, high drive mode, 10-90%, 50 pF load <sup>16</sup>     |           | 8    |           | ns    |
| R <sub>PU</sub>       | Pull-up resistance  | 11        | 13   | 16        | kΩ    |
| R <sub>PD</sub>       | Pull-down resistance  | 11        | 13   | 16        | kΩ    |
| C <sub>PAD</sub>      | Pad capacitance   |           | 3    |           | pF    |

<sup>16</sup> Rise and fall times based on simulations

### 6.9.3.2 NFC Pads Electrical Specification

| Symbol                | Description  | Min. | Typ. | Max. | Units |
|-----------------------|--|------|------|------|-------|
| C <sub>PAD_NFC</sub>  | Pad capacitance on NFC pads                                      |      | 4    |      | pF    |
| I <sub>NFC_LEAK</sub> | Leakage current between NFC pads when driven to different states |      | 1    | 10   | μA    |

## 6.10 GPIOTE — GPIO tasks and events

The GPIO tasks and events (GPIOTE) module provides functionality for accessing GPIO pins using tasks and events. Each GPIOTE channel can be assigned to one pin.

A GPIOTE block enables GPIOs to generate events on pin state change which can be used to carry out tasks through the PPI system. A GPIO can also be driven to change state on system events using the PPI system. Tasks and events are briefly introduced in [Peripheral interface](#) on page 102, and GPIO is described in more detail in [GPIO — General purpose input/output](#) on page 151.

Low power detection of pin state changes is possible when in System ON or System OFF.

| Instance | Number of GPIOTE channels |
|----------|---------------------------|
| GPIOTE   | 8                         |

Table 50: GPIOTE properties

Up to three tasks can be used in each GPIOTE channel for performing write operations to a pin. Two tasks are fixed (SET and CLR), and one (OUT) is configurable to perform following operations:

- Set
- Clear
- Toggle

An event can be generated in each GPIOTE channel from one of the following input conditions:

- Rising edge
- Falling edge
- Any change

### 6.10.1 Pin events and tasks

The GPIOTE module has a number of tasks and events that can be configured to operate on individual GPIO pins.

The tasks SET[n], CLR[n], and OUT[n] can write to individual pins, and events IN[n] can be generated from input changes of individual pins.

The SET task will set the pin selected in GPIOTE.CONFIG[n].PSEL to high. The CLR task will set the pin low.

The effect of the OUT task on the pin is configurable in CONFIG[n].POLARITY. It can set the pin high, set it low, or toggle it.

Tasks and events are configured using the CONFIG[n] registers. One CONFIG[n] register is associated with a set of SET[n], CLR[n], and OUT[n] tasks and IN[n] events.

As long as a SET[n], CLR[n], and OUT[n] task or an IN[n] event is configured to control pin **n**, the pin's output value will only be updated by the GPIOTE module. The pin's output value, as specified in the GPIO, will be ignored as long as the pin is controlled by GPIOTE. Attempting to write to the pin as a normal GPIO

pin will have no effect. When the GPIOTE is disconnected from a pin, the associated pin gets the output and configuration values specified in the GPIO module, see MODE field in CONFIG[n] register.

When conflicting tasks are triggered simultaneously (i.e. during the same clock cycle) in one channel, the priority of the tasks is as described in the following table.

| Priority | Task |
|----------|------|
| 1        | OUT  |
| 2        | CLR  |
| 3        | SET  |

Table 51: Task priorities

When setting the CONFIG[n] registers, MODE=Disabled does not have the same effect as MODE=Task and POLARITY=None. In the latter case, a CLR or SET task occurring at the exact same time as OUT will end up with no change on the pin, based on the priorities described in the table above.

When a GPIOTE channel is configured to operate on a pin as a task, the initial value of that pin is configured in the OUTINIT field of CONFIG[n].

## 6.10.2 Port event

PORT is an event that can be generated from multiple input pins using the GPIO DETECT signal.

The event will be generated on the rising edge of the DETECT signal. See [GPIO — General purpose input/output](#) on page 151 for more information about the DETECT signal.

The GPIO DETECT signal will not wake the system up again if the system is put into System ON IDLE while the DETECT signal is high. Clear all DETECT sources before entering sleep. If the LATCH register is used as a source, a new rising edge will be generated on DETECT if any bit in LATCH is still high after clearing all or part of the register. This could occur if one of the PINx.DETECT signals is still high, for example. See [Pin configuration](#) on page 152 for more information.

Setting the system to System OFF while DETECT is high will cause a wakeup from System OFF reset.

This feature is always enabled even if the peripheral itself appears to be IDLE, meaning no clocks or other power intensive infrastructure have to be requested to keep this feature enabled. This feature can therefore be used to wake up the CPU from a WFI or WFE type sleep in System ON when all peripherals and the CPU are idle, meaning the lowest power consumption in System ON mode.

In order to prevent spurious interrupts from the PORT event while configuring the sources, the following must be performed:

1. Disable interrupts on the PORT event (through INTENCLR.PORT).
2. Configure the sources (PIN\_CNF[n].SENSE).
3. Clear any potential event that could have occurred during configuration (write '0' to EVENTS\_PORT).
4. Enable interrupts (through INTENSET.PORT).

## 6.10.3 Tasks and events pin configuration

Each GPIOTE channel is associated with one physical GPIO pin through the CONFIG.PSEL field.

When Event mode is selected in CONFIG.MODE, the pin specified by CONFIG.PSEL will be configured as an input, overriding the DIR setting in GPIO. Similarly, when Task mode is selected in CONFIG.MODE, the pin specified by CONFIG.PSEL will be configured as an output overriding the DIR setting and OUT value in GPIO. When Disabled is selected in CONFIG.MODE, the pin specified by CONFIG.PSEL will use its configuration from the PIN[n].CNF registers in GPIO.

**Note:** A pin can only be assigned to one GPIOTE channel at a time. Failing to do so may result in unpredictable behavior.

## 6.10.4 Registers

| Base address | Peripheral | Instance | Description           | Configuration |
|--------------|------------|----------|-----------------------|---------------|
| 0x40006000   | GPIOTE     | GPIOTE   | GPIO tasks and events |               |

Table 52: Instances

| Register     | Offset | Description   |
|--------------|--------|---|
| TASKS_OUT[0] | 0x000  | Task for writing to pin specified in CONFIG[0].PSEL. Action on pin is configured in CONFIG[0].POLARITY. |
| TASKS_OUT[1] | 0x004  | Task for writing to pin specified in CONFIG[1].PSEL. Action on pin is configured in CONFIG[1].POLARITY. |
| TASKS_OUT[2] | 0x008  | Task for writing to pin specified in CONFIG[2].PSEL. Action on pin is configured in CONFIG[2].POLARITY. |
| TASKS_OUT[3] | 0x00C  | Task for writing to pin specified in CONFIG[3].PSEL. Action on pin is configured in CONFIG[3].POLARITY. |
| TASKS_OUT[4] | 0x010  | Task for writing to pin specified in CONFIG[4].PSEL. Action on pin is configured in CONFIG[4].POLARITY. |
| TASKS_OUT[5] | 0x014  | Task for writing to pin specified in CONFIG[5].PSEL. Action on pin is configured in CONFIG[5].POLARITY. |
| TASKS_OUT[6] | 0x018  | Task for writing to pin specified in CONFIG[6].PSEL. Action on pin is configured in CONFIG[6].POLARITY. |
| TASKS_OUT[7] | 0x01C  | Task for writing to pin specified in CONFIG[7].PSEL. Action on pin is configured in CONFIG[7].POLARITY. |
| TASKS_SET[0] | 0x030  | Task for writing to pin specified in CONFIG[0].PSEL. Action on pin is to set it high.                   |
| TASKS_SET[1] | 0x034  | Task for writing to pin specified in CONFIG[1].PSEL. Action on pin is to set it high.                   |
| TASKS_SET[2] | 0x038  | Task for writing to pin specified in CONFIG[2].PSEL. Action on pin is to set it high.                   |
| TASKS_SET[3] | 0x03C  | Task for writing to pin specified in CONFIG[3].PSEL. Action on pin is to set it high.                   |
| TASKS_SET[4] | 0x040  | Task for writing to pin specified in CONFIG[4].PSEL. Action on pin is to set it high.                   |
| TASKS_SET[5] | 0x044  | Task for writing to pin specified in CONFIG[5].PSEL. Action on pin is to set it high.                   |
| TASKS_SET[6] | 0x048  | Task for writing to pin specified in CONFIG[6].PSEL. Action on pin is to set it high.                   |
| TASKS_SET[7] | 0x04C  | Task for writing to pin specified in CONFIG[7].PSEL. Action on pin is to set it high.                   |
| TASKS_CLR[0] | 0x060  | Task for writing to pin specified in CONFIG[0].PSEL. Action on pin is to set it low.                    |
| TASKS_CLR[1] | 0x064  | Task for writing to pin specified in CONFIG[1].PSEL. Action on pin is to set it low.                    |
| TASKS_CLR[2] | 0x068  | Task for writing to pin specified in CONFIG[2].PSEL. Action on pin is to set it low.                    |
| TASKS_CLR[3] | 0x06C  | Task for writing to pin specified in CONFIG[3].PSEL. Action on pin is to set it low.                    |
| TASKS_CLR[4] | 0x070  | Task for writing to pin specified in CONFIG[4].PSEL. Action on pin is to set it low.                    |
| TASKS_CLR[5] | 0x074  | Task for writing to pin specified in CONFIG[5].PSEL. Action on pin is to set it low.                    |
| TASKS_CLR[6] | 0x078  | Task for writing to pin specified in CONFIG[6].PSEL. Action on pin is to set it low.                    |
| TASKS_CLR[7] | 0x07C  | Task for writing to pin specified in CONFIG[7].PSEL. Action on pin is to set it low.                    |
| EVENTS_IN[0] | 0x100  | Event generated from pin specified in CONFIG[0].PSEL  |
| EVENTS_IN[1] | 0x104  | Event generated from pin specified in CONFIG[1].PSEL  |
| EVENTS_IN[2] | 0x108  | Event generated from pin specified in CONFIG[2].PSEL  |
| EVENTS_IN[3] | 0x10C  | Event generated from pin specified in CONFIG[3].PSEL  |
| EVENTS_IN[4] | 0x110  | Event generated from pin specified in CONFIG[4].PSEL  |
| EVENTS_IN[5] | 0x114  | Event generated from pin specified in CONFIG[5].PSEL  |
| EVENTS_IN[6] | 0x118  | Event generated from pin specified in CONFIG[6].PSEL  |
| EVENTS_IN[7] | 0x11C  | Event generated from pin specified in CONFIG[7].PSEL  |
| EVENTS_PORT  | 0x17C  | Event generated from multiple input GPIO pins with SENSE mechanism enabled                              |

| Register  | Offset | Description  |
|-----------|--------|--|
| INTENSET  | 0x304  | Enable interrupt   |
| INTENCLR  | 0x308  | Disable interrupt  |
| CONFIG[0] | 0x510  | Configuration for OUT[n], SET[n], and CLR[n] tasks and IN[n] event |
| CONFIG[1] | 0x514  | Configuration for OUT[n], SET[n], and CLR[n] tasks and IN[n] event |
| CONFIG[2] | 0x518  | Configuration for OUT[n], SET[n], and CLR[n] tasks and IN[n] event |
| CONFIG[3] | 0x51C  | Configuration for OUT[n], SET[n], and CLR[n] tasks and IN[n] event |
| CONFIG[4] | 0x520  | Configuration for OUT[n], SET[n], and CLR[n] tasks and IN[n] event |
| CONFIG[5] | 0x524  | Configuration for OUT[n], SET[n], and CLR[n] tasks and IN[n] event |
| CONFIG[6] | 0x528  | Configuration for OUT[n], SET[n], and CLR[n] tasks and IN[n] event |
| CONFIG[7] | 0x52C  | Configuration for OUT[n], SET[n], and CLR[n] tasks and IN[n] event |

Table 53: Register overview

### 6.10.4.1 TASKS\_OUT[n] (n=0..7)

Address offset: 0x000 + (n × 0x4)

Task for writing to pin specified in CONFIG[n].PSEL. Action on pin is configured in CONFIG[n].POLARITY.

| Bit number       | 31 30 29 28 27 26 25 24 23 22 21 20 19 18 17 16 15 14 13 12 11 10 9 8 7 6 5 4 3 2 1 0 |           |       |   |  |  |  |  |  |  |  |  |  |  |  |  |  |  |  |  |  |  |  |  |  |  |  |  |  |  |  |   |
|------------------|---|-----------|-------|---|--|--|--|--|--|--|--|--|--|--|--|--|--|--|--|--|--|--|--|--|--|--|--|--|--|--|--|---|
| ID               |   |           |       |   |  |  |  |  |  |  |  |  |  |  |  |  |  |  |  |  |  |  |  |  |  |  |  |  |  |  |  | A |
| Reset 0x00000000 | 0                       |           |       |   |  |  |  |  |  |  |  |  |  |  |  |  |  |  |  |  |  |  |  |  |  |  |  |  |  |  |  |   |
| ID               | Acce Field  | Value ID  | Value | Description   |  |  |  |  |  |  |  |  |  |  |  |  |  |  |  |  |  |  |  |  |  |  |  |  |  |  |  |   |
| A                | W   | TASKS_OUT |       | Task for writing to pin specified in CONFIG[n].PSEL. Action on pin is configured in CONFIG[n].POLARITY. |  |  |  |  |  |  |  |  |  |  |  |  |  |  |  |  |  |  |  |  |  |  |  |  |  |  |  |   |
|                  |   | Trigger   | 1     | Trigger task  |  |  |  |  |  |  |  |  |  |  |  |  |  |  |  |  |  |  |  |  |  |  |  |  |  |  |  |   |

### 6.10.4.2 TASKS\_SET[n] (n=0..7)

Address offset: 0x030 + (n × 0x4)

Task for writing to pin specified in CONFIG[n].PSEL. Action on pin is to set it high.

| Bit number       | 31 30 29 28 27 26 25 24 23 22 21 20 19 18 17 16 15 14 13 12 11 10 9 8 7 6 5 4 3 2 1 0 |           |       |   |  |  |  |  |  |  |  |  |  |  |  |  |  |  |  |  |  |  |  |  |  |  |  |  |  |  |  |   |
|------------------|---|-----------|-------|---|--|--|--|--|--|--|--|--|--|--|--|--|--|--|--|--|--|--|--|--|--|--|--|--|--|--|--|---|
| ID               |   |           |       |   |  |  |  |  |  |  |  |  |  |  |  |  |  |  |  |  |  |  |  |  |  |  |  |  |  |  |  | A |
| Reset 0x00000000 | 0                       |           |       |   |  |  |  |  |  |  |  |  |  |  |  |  |  |  |  |  |  |  |  |  |  |  |  |  |  |  |  |   |
| ID               | Acce Field  | Value ID  | Value | Description   |  |  |  |  |  |  |  |  |  |  |  |  |  |  |  |  |  |  |  |  |  |  |  |  |  |  |  |   |
| A                | W   | TASKS_SET |       | Task for writing to pin specified in CONFIG[n].PSEL. Action on pin is to set it high. |  |  |  |  |  |  |  |  |  |  |  |  |  |  |  |  |  |  |  |  |  |  |  |  |  |  |  |   |
|                  |   | Trigger   | 1     | Trigger task  |  |  |  |  |  |  |  |  |  |  |  |  |  |  |  |  |  |  |  |  |  |  |  |  |  |  |  |   |

### 6.10.4.3 TASKS\_CLR[n] (n=0..7)

Address offset: 0x060 + (n × 0x4)

Task for writing to pin specified in CONFIG[n].PSEL. Action on pin is to set it low.

| Bit number       | 31 30 29 28 27 26 25 24 23 22 21 20 19 18 17 16 15 14 13 12 11 10 9 8 7 6 5 4 3 2 1 0 |           |       |  |  |  |  |  |  |  |  |  |  |  |  |  |  |  |  |  |  |  |  |  |  |  |  |  |  |  |  |   |
|------------------|---|-----------|-------|--|--|--|--|--|--|--|--|--|--|--|--|--|--|--|--|--|--|--|--|--|--|--|--|--|--|--|--|---|
| ID               |   |           |       |  |  |  |  |  |  |  |  |  |  |  |  |  |  |  |  |  |  |  |  |  |  |  |  |  |  |  |  | A |
| Reset 0x00000000 | 0                       |           |       |  |  |  |  |  |  |  |  |  |  |  |  |  |  |  |  |  |  |  |  |  |  |  |  |  |  |  |  |   |
| ID               | Acce Field  | Value ID  | Value | Description  |  |  |  |  |  |  |  |  |  |  |  |  |  |  |  |  |  |  |  |  |  |  |  |  |  |  |  |   |
| A                | W   | TASKS_CLR |       | Task for writing to pin specified in CONFIG[n].PSEL. Action on pin is to set it low. |  |  |  |  |  |  |  |  |  |  |  |  |  |  |  |  |  |  |  |  |  |  |  |  |  |  |  |   |
|                  |   | Trigger   | 1     | Trigger task   |  |  |  |  |  |  |  |  |  |  |  |  |  |  |  |  |  |  |  |  |  |  |  |  |  |  |  |   |

### 6.10.4.4 EVENTS\_IN[n] (n=0..7)

Address offset: 0x100 + (n × 0x4)

Event generated from pin specified in CONFIG[n].PSEL

| Bit number       | 31 30 29 28 27 26 25 24 23 22 21 20 19 18 17 16 15 14 13 12 11 10 9 8 7 6 5 4 3 2 1 0 |              |       |  |  |  |  |  |  |  |  |  |  |  |  |  |  |  |  |  |  |  |  |  |  |  |  |  |  |  |  |
|------------------|---|--------------|-------|--|--|--|--|--|--|--|--|--|--|--|--|--|--|--|--|--|--|--|--|--|--|--|--|--|--|--|--|
| ID               | A   |              |       |  |  |  |  |  |  |  |  |  |  |  |  |  |  |  |  |  |  |  |  |  |  |  |  |  |  |  |  |
| Reset 0x00000000 | 0             |              |       |  |  |  |  |  |  |  |  |  |  |  |  |  |  |  |  |  |  |  |  |  |  |  |  |  |  |  |  |
| ID               | Acce Field  | Value ID     | Value | Description  |  |  |  |  |  |  |  |  |  |  |  |  |  |  |  |  |  |  |  |  |  |  |  |  |  |  |  |
| A                | RW  | EVENTS_IN    |       | Event generated from pin specified in CONFIG[n].PSEL |  |  |  |  |  |  |  |  |  |  |  |  |  |  |  |  |  |  |  |  |  |  |  |  |  |  |  |
|                  |   | NotGenerated | 0     | Event not generated                                  |  |  |  |  |  |  |  |  |  |  |  |  |  |  |  |  |  |  |  |  |  |  |  |  |  |  |  |
|                  |   | Generated    | 1     | Event generated                                      |  |  |  |  |  |  |  |  |  |  |  |  |  |  |  |  |  |  |  |  |  |  |  |  |  |  |  |

### 6.10.4.5 EVENTS\_PORT

Address offset: 0x17C

Event generated from multiple input GPIO pins with SENSE mechanism enabled

| Bit number       | 31 30 29 28 27 26 25 24 23 22 21 20 19 18 17 16 15 14 13 12 11 10 9 8 7 6 5 4 3 2 1 0 |              |       |  |  |  |  |  |  |  |  |  |  |  |  |  |  |  |  |  |  |  |  |  |  |  |  |  |  |  |  |
|------------------|---|--------------|-------|--|--|--|--|--|--|--|--|--|--|--|--|--|--|--|--|--|--|--|--|--|--|--|--|--|--|--|--|
| ID               | A   |              |       |  |  |  |  |  |  |  |  |  |  |  |  |  |  |  |  |  |  |  |  |  |  |  |  |  |  |  |  |
| Reset 0x00000000 | 0             |              |       |  |  |  |  |  |  |  |  |  |  |  |  |  |  |  |  |  |  |  |  |  |  |  |  |  |  |  |  |
| ID               | Acce Field  | Value ID     | Value | Description  |  |  |  |  |  |  |  |  |  |  |  |  |  |  |  |  |  |  |  |  |  |  |  |  |  |  |  |
| A                | RW  | EVENTS_PORT  |       | Event generated from multiple input GPIO pins with SENSE mechanism enabled |  |  |  |  |  |  |  |  |  |  |  |  |  |  |  |  |  |  |  |  |  |  |  |  |  |  |  |
|                  |   | NotGenerated | 0     | Event not generated  |  |  |  |  |  |  |  |  |  |  |  |  |  |  |  |  |  |  |  |  |  |  |  |  |  |  |  |
|                  |   | Generated    | 1     | Event generated  |  |  |  |  |  |  |  |  |  |  |  |  |  |  |  |  |  |  |  |  |  |  |  |  |  |  |  |

### 6.10.4.6 INTENSET

Address offset: 0x304

Enable interrupt

| Bit number       | 31 30 29 28 27 26 25 24 23 22 21 20 19 18 17 16 15 14 13 12 11 10 9 8 7 6 5 4 3 2 1 0 |                |       |   |  |  |  |  |  |  |  |  |  |  |  |                 |  |  |  |  |  |  |  |  |  |  |  |  |  |  |  |
|------------------|---|----------------|-------|---|--|--|--|--|--|--|--|--|--|--|--|-----------------|--|--|--|--|--|--|--|--|--|--|--|--|--|--|--|
| ID               | I   |                |       |   |  |  |  |  |  |  |  |  |  |  |  | H G F E D C B A |  |  |  |  |  |  |  |  |  |  |  |  |  |  |  |
| Reset 0x00000000 | 0             |                |       |   |  |  |  |  |  |  |  |  |  |  |  |                 |  |  |  |  |  |  |  |  |  |  |  |  |  |  |  |
| ID               | Acce Field  | Value ID       | Value | Description                                   |  |  |  |  |  |  |  |  |  |  |  |                 |  |  |  |  |  |  |  |  |  |  |  |  |  |  |  |
| A-H              | RW  | IN[i] (i=0..7) |       | Write '1' to enable interrupt for event IN[i] |  |  |  |  |  |  |  |  |  |  |  |                 |  |  |  |  |  |  |  |  |  |  |  |  |  |  |  |
|                  |   | Set            | 1     | Enable  |  |  |  |  |  |  |  |  |  |  |  |                 |  |  |  |  |  |  |  |  |  |  |  |  |  |  |  |
|                  |   | Disabled       | 0     | Read: Disabled                                |  |  |  |  |  |  |  |  |  |  |  |                 |  |  |  |  |  |  |  |  |  |  |  |  |  |  |  |
|                  |   | Enabled        | 1     | Read: Enabled                                 |  |  |  |  |  |  |  |  |  |  |  |                 |  |  |  |  |  |  |  |  |  |  |  |  |  |  |  |
| I                | RW  | PORT           |       | Write '1' to enable interrupt for event PORT  |  |  |  |  |  |  |  |  |  |  |  |                 |  |  |  |  |  |  |  |  |  |  |  |  |  |  |  |
|                  |   | Set            | 1     | Enable  |  |  |  |  |  |  |  |  |  |  |  |                 |  |  |  |  |  |  |  |  |  |  |  |  |  |  |  |
|                  |   | Disabled       | 0     | Read: Disabled                                |  |  |  |  |  |  |  |  |  |  |  |                 |  |  |  |  |  |  |  |  |  |  |  |  |  |  |  |
|                  |   | Enabled        | 1     | Read: Enabled                                 |  |  |  |  |  |  |  |  |  |  |  |                 |  |  |  |  |  |  |  |  |  |  |  |  |  |  |  |

### 6.10.4.7 INTENCLR

Address offset: 0x308

Disable interrupt



| Bit number       | 31  | 30       | 29    | 28   | 27 | 26 | 25 | 24 | 23 | 22 | 21 | 20 | 19 | 18 | 17 | 16 | 15              | 14 | 13 | 12 | 11 | 10 | 9 | 8 | 7 | 6 | 5 | 4 | 3 | 2 | 1 | 0 |
|------------------|---|----------|-------|--|----|----|----|----|----|----|----|----|----|----|----|----|-----------------|----|----|----|----|----|---|---|---|---|---|---|---|---|---|---|
| ID               | I   |          |       |  |    |    |    |    |    |    |    |    |    |    |    |    | H G F E D C B A |    |    |    |    |    |   |   |   |   |   |   |   |   |   |   |
| Reset 0x00000000 | 0 |          |       |  |    |    |    |    |    |    |    |    |    |    |    |    |                 |    |    |    |    |    |   |   |   |   |   |   |   |   |   |   |
| ID               | Acce Field  | Value ID | Value | Description                                    |    |    |    |    |    |    |    |    |    |    |    |    |                 |    |    |    |    |    |   |   |   |   |   |   |   |   |   |   |
| A-H              | RW IN[i] (i=0..7)   |          |       | Write '1' to disable interrupt for event IN[i] |    |    |    |    |    |    |    |    |    |    |    |    |                 |    |    |    |    |    |   |   |   |   |   |   |   |   |   |   |
|                  |   | Clear    | 1     | Disable  |    |    |    |    |    |    |    |    |    |    |    |    |                 |    |    |    |    |    |   |   |   |   |   |   |   |   |   |   |
|                  |   | Disabled | 0     | Read: Disabled                                 |    |    |    |    |    |    |    |    |    |    |    |    |                 |    |    |    |    |    |   |   |   |   |   |   |   |   |   |   |
|                  |   | Enabled  | 1     | Read: Enabled                                  |    |    |    |    |    |    |    |    |    |    |    |    |                 |    |    |    |    |    |   |   |   |   |   |   |   |   |   |   |
| I                | RW PORT   |          |       | Write '1' to disable interrupt for event PORT  |    |    |    |    |    |    |    |    |    |    |    |    |                 |    |    |    |    |    |   |   |   |   |   |   |   |   |   |   |
|                  |   | Clear    | 1     | Disable  |    |    |    |    |    |    |    |    |    |    |    |    |                 |    |    |    |    |    |   |   |   |   |   |   |   |   |   |   |
|                  |   | Disabled | 0     | Read: Disabled                                 |    |    |    |    |    |    |    |    |    |    |    |    |                 |    |    |    |    |    |   |   |   |   |   |   |   |   |   |   |
|                  |   | Enabled  | 1     | Read: Enabled                                  |    |    |    |    |    |    |    |    |    |    |    |    |                 |    |    |    |    |    |   |   |   |   |   |   |   |   |   |   |

### 6.10.4.8 CONFIG[n] (n=0..7)

Address offset: 0x510 + (n × 0x4)

Configuration for OUT[n], SET[n], and CLR[n] tasks and IN[n] event

| Bit number       | 31  | 30       | 29      | 28   | 27 | 26 | 25 | 24 | 23 | 22 | 21 | 20 | 19 | 18 | 17 | 16 | 15 | 14 | 13 | 12  | 11 | 10          | 9 | 8 | 7 | 6   | 5 | 4 | 3 | 2 | 1 | 0 |
|------------------|---|----------|---------|--|----|----|----|----|----|----|----|----|----|----|----|----|----|----|----|-----|----|-------------|---|---|---|-----|---|---|---|---|---|---|
| ID               |   |          |         |  |    |    |    |    |    |    |    |    |    |    |    |    | E  |    |    | D D |    | C B B B B B |   |   |   | A A |   |   |   |   |   |   |
| Reset 0x00000000 | 0 |          |         |  |    |    |    |    |    |    |    |    |    |    |    |    |    |    |    |     |    |             |   |   |   |     |   |   |   |   |   |   |
| ID               | Acce Field  | Value ID | Value   | Description  |    |    |    |    |    |    |    |    |    |    |    |    |    |    |    |     |    |             |   |   |   |     |   |   |   |   |   |   |
| A                | RW MODE   |          |         | Mode   |    |    |    |    |    |    |    |    |    |    |    |    |    |    |    |     |    |             |   |   |   |     |   |   |   |   |   |   |
|                  |   | Disabled | 0       | Disabled. Pin specified by PSEL will not be acquired by the GPIOTE module.   |    |    |    |    |    |    |    |    |    |    |    |    |    |    |    |     |    |             |   |   |   |     |   |   |   |   |   |   |
|                  |   | Event    | 1       | Event mode<br>The pin specified by PSEL will be configured as an input and the IN[n] event will be generated if operation specified in POLARITY occurs on the pin.   |    |    |    |    |    |    |    |    |    |    |    |    |    |    |    |     |    |             |   |   |   |     |   |   |   |   |   |   |
|                  |   | Task     | 3       | Task mode<br>The GPIO specified by PSEL will be configured as an output and triggering the SET[n], CLR[n] or OUT[n] task will perform the operation specified by POLARITY on the pin. When enabled as a task the GPIOTE module will acquire the pin and the pin can no longer be written as a regular output pin from the GPIO module. |    |    |    |    |    |    |    |    |    |    |    |    |    |    |    |     |    |             |   |   |   |     |   |   |   |   |   |   |
| B                | RW PSEL   |          | [0..31] | GPIO number associated with SET[n], CLR[n], and OUT[n] tasks and IN[n] event   |    |    |    |    |    |    |    |    |    |    |    |    |    |    |    |     |    |             |   |   |   |     |   |   |   |   |   |   |
| C                | RW PORT   |          | [0..1]  | Port number  |    |    |    |    |    |    |    |    |    |    |    |    |    |    |    |     |    |             |   |   |   |     |   |   |   |   |   |   |
| D                | RW POLARITY   |          |         | When In task mode: Operation to be performed on output when OUT[n] task is triggered. When In event mode: Operation on input that shall trigger IN[n] event.   |    |    |    |    |    |    |    |    |    |    |    |    |    |    |    |     |    |             |   |   |   |     |   |   |   |   |   |   |
|                  |   | None     | 0       | Task mode: No effect on pin from OUT[n] task. Event mode: no IN[n] event generated on pin activity.  |    |    |    |    |    |    |    |    |    |    |    |    |    |    |    |     |    |             |   |   |   |     |   |   |   |   |   |   |
|                  |   | LoToHi   | 1       | Task mode: Set pin from OUT[n] task. Event mode: Generate IN[n] event when rising edge on pin.   |    |    |    |    |    |    |    |    |    |    |    |    |    |    |    |     |    |             |   |   |   |     |   |   |   |   |   |   |
|                  |   | HiToLo   | 2       | Task mode: Clear pin from OUT[n] task. Event mode: Generate IN[n] event when falling edge on pin.  |    |    |    |    |    |    |    |    |    |    |    |    |    |    |    |     |    |             |   |   |   |     |   |   |   |   |   |   |
|                  |   | Toggle   | 3       | Task mode: Toggle pin from OUT[n]. Event mode: Generate IN[n] when any change on pin.  |    |    |    |    |    |    |    |    |    |    |    |    |    |    |    |     |    |             |   |   |   |     |   |   |   |   |   |   |
| E                | RW OUTINIT  |          |         | When in task mode: Initial value of the output when the GPIOTE channel is configured. When in event mode: No effect.   |    |    |    |    |    |    |    |    |    |    |    |    |    |    |    |     |    |             |   |   |   |     |   |   |   |   |   |   |

| Bit number       | 31  | 30       | 29    | 28   | 27 | 26 | 25 | 24 | 23 | 22 | 21 | 20 | 19 | 18 | 17 | 16 | 15 | 14 | 13 | 12 | 11 | 10 | 9 | 8 | 7 | 6 | 5 | 4 | 3 | 2 | 1 | 0 |
|------------------|---|----------|-------|--|----|----|----|----|----|----|----|----|----|----|----|----|----|----|----|----|----|----|---|---|---|---|---|---|---|---|---|---|
| ID               |   |          |       |  |    |    |    |    |    |    |    |    |    | E  | D  | D  | C  | B  | B  | B  | B  |    |   |   |   |   |   |   |   |   |   |   |
| Reset 0x00000000 | 0 |          |       |  |    |    |    |    |    |    |    |    |    |    |    |    |    |    |    |    |    |    |   |   |   |   |   |   |   |   |   |   |
| ID               | Acces Field   | Value ID | Value | Description  |    |    |    |    |    |    |    |    |    |    |    |    |    |    |    |    |    |    |   |   |   |   |   |   |   |   |   |   |
|                  |   | Low      | 0     | Task mode: Initial value of pin before task triggering is low  |    |    |    |    |    |    |    |    |    |    |    |    |    |    |    |    |    |    |   |   |   |   |   |   |   |   |   |   |
|                  |   | High     | 1     | Task mode: Initial value of pin before task triggering is high |    |    |    |    |    |    |    |    |    |    |    |    |    |    |    |    |    |    |   |   |   |   |   |   |   |   |   |   |

### 6.10.5 Electrical specification

## 6.11 I<sup>2</sup>S — Inter-IC sound interface

The I<sup>2</sup>S (Inter-IC Sound) module, supports the original two-channel I<sup>2</sup>S format, and left or right-aligned formats. It implements EasyDMA for sample transfer directly to and from RAM without CPU intervention.

The I<sup>2</sup>S peripheral has the following main features:

- Master and Slave mode
- Simultaneous bi-directional (TX and RX) audio streaming
- Original I<sup>2</sup>S and left- or right-aligned format
- 8, 16 and 24-bit sample width
- Low-jitter Master Clock generator
- Various sample rates

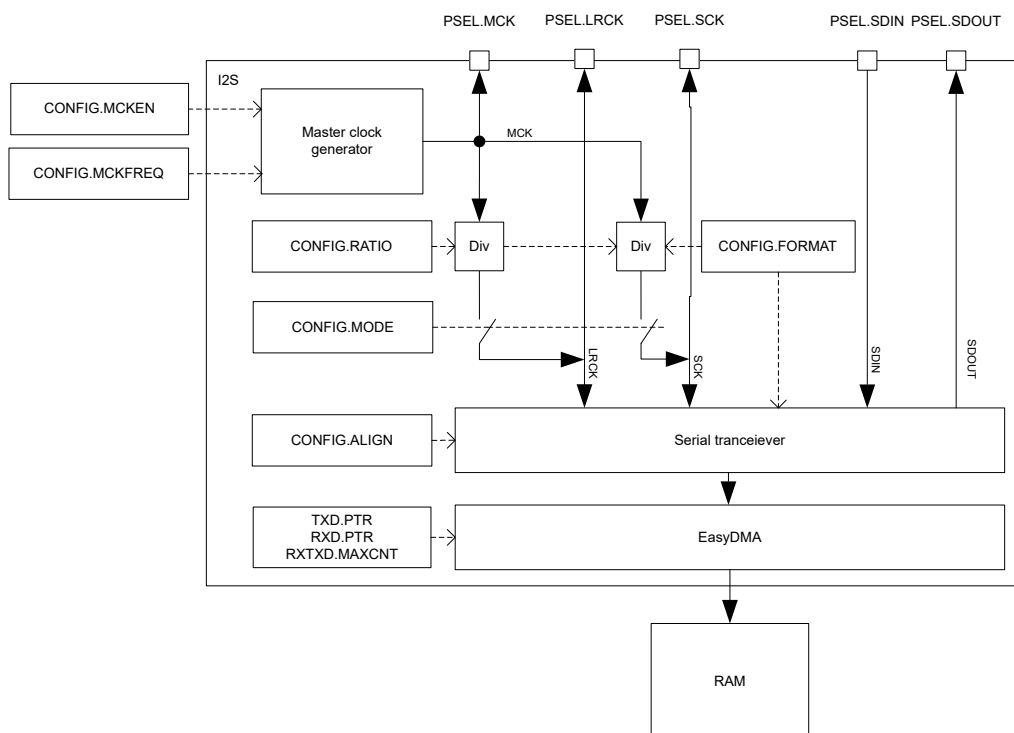


Figure 47: I<sup>2</sup>S master

### 6.11.1 Mode

The I<sup>2</sup>S protocol specification defines two modes of operation, Master and Slave.

The I<sup>2</sup>S mode decides which of the two sides (Master or Slave) shall provide the clock signals LRCK and SCK, and these signals are always supplied by the Master to the Slave.

### 6.11.2 Transmitting and receiving

The I<sup>2</sup>S module supports both transmission (TX) and reception (RX) of serial data. In both cases the serial data is shifted synchronously to the clock signals SCK and LRCK.

TX data is written to the SDOUT pin on the falling edge of SCK, and RX data is read from the SDIN pin on the rising edge of SCK. The most significant bit (MSB) is always transmitted first.

TX and RX are available in both Master and Slave modes and can be enabled/disabled independently in the [CONFIG.TXEN](#) on page 179 and [CONFIG.RXEN](#) on page 179.

Transmission and/or reception is started by triggering the START task. When started and transmission is enabled (in [CONFIG.TXEN](#) on page 179), the TXPTRUPD event will be generated for every [RXTXD.MAXCNT](#) on page 182 number of transmitted data words (containing one or more samples). Similarly, when started and reception is enabled (in [CONFIG.RXEN](#) on page 179), the RXPTRUPD event will be generated for every [RXTXD.MAXCNT](#) on page 182 received data words.

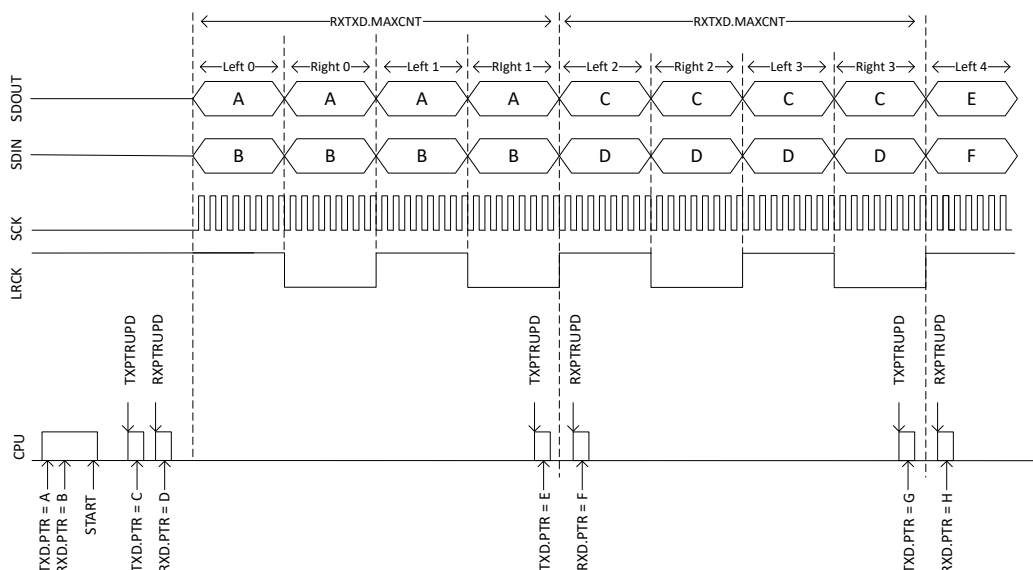


Figure 48: Transmitting and receiving. *CONFIG.FORMAT = Aligned, CONFIG.SWIDTH = 8Bit, CONFIG.CHANNELS = Stereo, RXTXD.MAXCNT = 1.*

### 6.11.3 Left right clock (LRCK)

The Left Right Clock (LRCK), often referred to as "word clock", "sample clock" or "word select" in I<sup>2</sup>S context, is the clock defining the frames in the serial bit streams sent and received on SDOUT and SDIN, respectively.

In I2S mode, each frame contains one left and right sample pair, with the left sample being transferred during the low half period of LRCK followed by the right sample being transferred during the high period of LRCK.

In Aligned mode, each frame contains one left and right sample pair, with the left sample being transferred during the high half period of LRCK followed by the right sample being transferred during the low period of LRCK.

Consequently, the LRCK frequency is equivalent to the audio sample rate.

When operating in Master mode, the LRCK is generated from the MCK, and the frequency of LRCK is then given as:

$$\text{LRCK} = \text{MCK} / \text{CONFIG.RATIO}$$

LRCK always toggles around the falling edge of the serial clock SCK.

#### 6.11.4 Serial clock (SCK)

The serial clock (SCK), often referred to as the serial bit clock, pulses once for each data bit being transferred on the serial data lines SDIN and SDOUT.

When operating in Master mode the SCK is generated from the MCK, and the frequency of SCK is then given as:

$$\text{SCK} = 2 * \text{LRCK} * \text{CONFIG.SWIDTH}$$

The falling edge of the SCK falls on the toggling edge of LRCK.

When operating in Slave mode SCK is provided by the external I<sup>2</sup>S master.

#### 6.11.5 Master clock (MCK)

The master clock (MCK) is the clock from which LRCK and SCK are derived when operating in Master mode.

The MCK is generated by an internal MCK generator. This generator always needs to be enabled when in Master mode, but the generator can also be enabled when in Slave mode. Enabling the generator when in slave mode can be useful in the case where the external Master is not able to generate its own master clock.

The MCK generator is enabled/disabled in the register [CONFIG.MCKEN](#) on page 179, and the generator is started or stopped by the START or STOP tasks.

In Master mode the LRCK and the SCK frequencies are closely related, as both are derived from MCK and set indirectly through [CONFIG.RATIO](#) on page 180 and [CONFIG.SWIDTH](#) on page 181.

When configuring these registers, the user is responsible for fulfilling the following requirements:

1. SCK frequency can never exceed the MCK frequency, which can be formulated as:

$$\text{CONFIG.RATIO} \geq 2 * \text{CONFIG.SWIDTH}$$

2. The MCK/LRCK ratio shall be a multiple of  $2 * \text{CONFIG.SWIDTH}$ , which can be formulated as:

$$\text{Integer} = (\text{CONFIG.RATIO} / (2 * \text{CONFIG.SWIDTH}))$$

The MCK signal can be routed to an output pin (specified in PSEL.MCK) to supply external I<sup>2</sup>S devices that require the MCK to be supplied from the outside.

When operating in Slave mode, the I<sup>2</sup>S module does not use the MCK and the MCK generator does not need to be enabled.

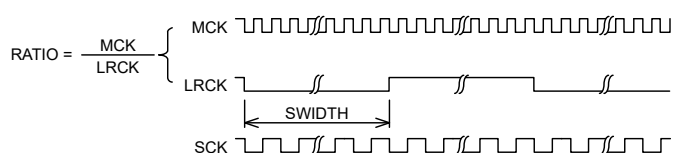


Figure 49: Relation between RATIO, MCK and LRCK.

| Desired LRCK [Hz] | CONFIG.SWID | CONFIG.RATIO | CONFIG.MCKF | MCK [Hz]  | LRCK [Hz] | LRCK error [%] |
|-------------------|-------------|--------------|-------------|-----------|-----------|----------------|
| 16000             | 16Bit       | 32X          | 32MDIV63    | 507936.5  | 15873.0   | -0.8           |
| 16000             | 16Bit       | 64X          | 32MDIV31    | 1032258.1 | 16129.0   | 0.8            |
| 16000             | 16Bit       | 256X         | 32MDIV8     | 4000000.0 | 15625.0   | -2.3           |
| 32000             | 16Bit       | 32X          | 32MDIV31    | 1032258.1 | 32258.1   | 0.8            |
| 32000             | 16Bit       | 64X          | 32MDIV16    | 2000000.0 | 31250.0   | -2.3           |
| 44100             | 16Bit       | 32X          | 32MDIV23    | 1391304.3 | 43478.3   | -1.4           |
| 44100             | 16Bit       | 64X          | 32MDIV11    | 2909090.9 | 45454.5   | 3.1            |

Table 54: Configuration examples

### 6.11.6 Width, alignment and format

The CONFIG.SWIDTH register primarily defines the sample width of the data written to memory. In master mode, it then also sets the amount of bits per frame. In Slave mode it controls padding/trimming if required. Left, right, transmitted, and received samples always have the same width. The CONFIG.FORMAT register specifies the position of the data frames with respect to the LRCK edges in both Master and Slave modes.

When using I<sup>2</sup>S format, the first bit in a half-frame (containing one left or right sample) gets sampled on the second rising edge of the SCK after a LRCK edge. When using Aligned mode, the first bit in a half-frame gets sampled on the first rising edge of SCK following a LRCK edge.

For data being received on SDIN the sample value can be either right or left-aligned inside a half-frame, as specified in CONFIG.ALIGN on page 181. CONFIG.ALIGN on page 181 affects only the decoding of the incoming samples (SDIN), while the outgoing samples (SDOUT) are always left-aligned (or justified).

When using left-alignment, each half-frame starts with the MSB of the sample value (both for data being sent on SDOOUT and received on SDIN).

When using right-alignment, each half-frame of data being received on SDIN ends with the LSB of the sample value, while each half-frame of data being sent on SDOOUT starts with the MSB of the sample value (same as for left-alignment).

In Master mode, the size of a half-frame (in number of SCK periods) equals the sample width (in number of bits), and in this case the alignment setting does not care as each half-frame in any case will start with the MSB and end with the LSB of the sample value.

In slave mode, however, the sample width does not need to equal the frame size. This means you might have extra or fewer SCK pulses per half-frame than what the sample width specified in CONFIG.SWIDTH requires.

In the case where we use **left-alignment** and the number of SCK pulses per half-frame is **higher** than the sample width, the following will apply:

- For data received on SDIN, all bits after the LSB of the sample value will be discarded.
- For data sent on SDOOUT, all bits after the LSB of the sample value will be 0.

In the case where we use **left-alignment** and the number of SCK pulses per frame is **lower** than the sample width, the following will apply:

- Data sent and received on SDOOUT and SDIN will be truncated with the LSBs being removed first.

In the case where we use **right-alignment** and the number of SCK pulses per frame is **higher** than the sample width, the following will apply:

- For data received on SDIN, all bits before the MSB of the sample value will be discarded.
- For data sent on SDOUT, all bits after the LSB of the sample value will be 0 (same behavior as for left-alignment).

In the case where we use **right-alignment** and the number of SCK pulses per frame is **lower** than the sample width, the following will apply:

- Data received on SDIN will be sign-extended to "sample width" number of bits before being written to memory.
- Data sent on SDOUT will be truncated with the LSBs being removed first (same behavior as for left-alignment).

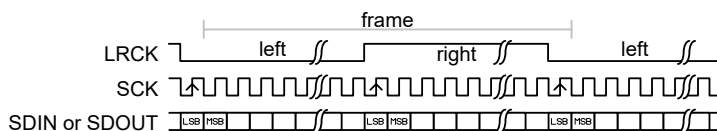


Figure 50:  $I^2S$  format. `CONFIG.SWIDTH` equalling half-frame size.

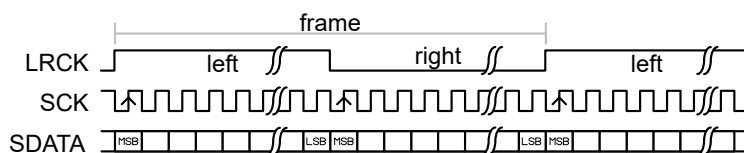


Figure 51: Aligned format. `CONFIG.SWIDTH` equalling half-frame size.

### 6.11.7 EasyDMA

The  $I^2S$  module implements EasyDMA for accessing internal Data RAM without CPU intervention.

The source and destination pointers for the TX and RX data are configured in `TXD.PTR` on page 182 and `RXD.PTR` on page 182. The memory pointed to by these pointers will only be read or written when TX or RX are enabled in `CONFIG.TXEN` on page 179 and `CONFIG.RXEN` on page 179.

The addresses written to the pointer registers `TXD.PTR` on page 182 and `RXD.PTR` on page 182 are double-buffered in hardware, and these double buffers are updated for every `RXTXD.MAXCNT` on page 182 words (containing one or more samples) read/written from/to memory. The events `TXPTRUPD` and `RXPTRUPD` are generated whenever the `TXD.PTR` and `RXD.PTR` are transferred to these double buffers.

If `TXD.PTR` on page 182 is not pointing to the Data RAM region when transmission is enabled, or `RXD.PTR` on page 182 is not pointing to the Data RAM region when reception is enabled, an EasyDMA transfer may result in a HardFault and/or memory corruption. See [Memory](#) on page 20 for more information about the different memory regions.

Due to the nature of  $I^2S$ , where the number of transmitted samples always equals the number of received samples (at least when both TX and RX are enabled), one common register `RXTXD.MAXCNT` on page 182 is used for specifying the sizes of these two memory buffers. The size of the buffers is specified in a number of 32-bit words. Such a 32-bit memory word can either contain four 8-bit samples, two 16-bit samples or one right-aligned 24-bit sample sign extended to 32 bit.

In stereo mode (`CONFIG.CHANNELS=Stereo`), the samples are stored as "left and right sample pairs" in memory. Figure [Memory mapping for 8 bit stereo. CONFIG.SWIDTH = 8Bit, CONFIG.CHANNELS = Stereo.](#) on page 171, [Memory mapping for 16 bit stereo. CONFIG.SWIDTH = 16Bit, CONFIG.CHANNELS = Stereo.](#) on page 171 and [Memory mapping for 24 bit stereo. CONFIG.SWIDTH = 24Bit, CONFIG.CHANNELS = Stereo.](#) on page 172 show how the samples are mapped to memory in this mode. The mapping is valid for both RX and TX.

In mono mode (`CONFIG.CHANNELS=Left` or `Right`), RX sample from only one channel in the frame is stored in memory, the other channel sample is ignored. Illustrations [Memory mapping for 8 bit mono. CONFIG.SWIDTH = 8Bit, CONFIG.CHANNELS = Left.](#) on page 171, [Memory mapping for 16 bit mono, left](#)

channel only. CONFIG.SWIDTH = 16Bit, CONFIG.CHANNELS = Left. on page 171 and Memory mapping for 24 bit mono, left channel only. CONFIG.SWIDTH = 24Bit, CONFIG.CHANNELS = Left. on page 172 show how RX samples are mapped to memory in this mode.

For TX, the same outgoing sample read from memory is transmitted on both left and right in a frame, resulting in a mono output stream.

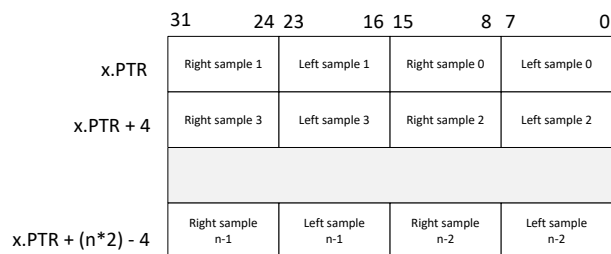


Figure 52: Memory mapping for 8 bit stereo. CONFIG.SWIDTH = 8Bit, CONFIG.CHANNELS = Stereo.

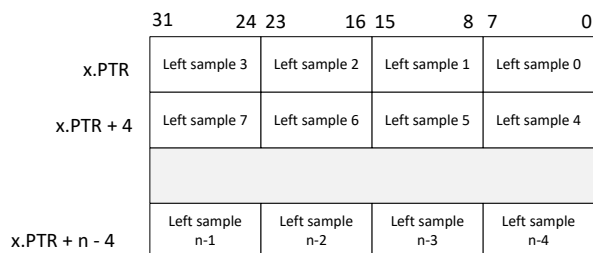


Figure 53: Memory mapping for 8 bit mono. CONFIG.SWIDTH = 8Bit, CONFIG.CHANNELS = Left.

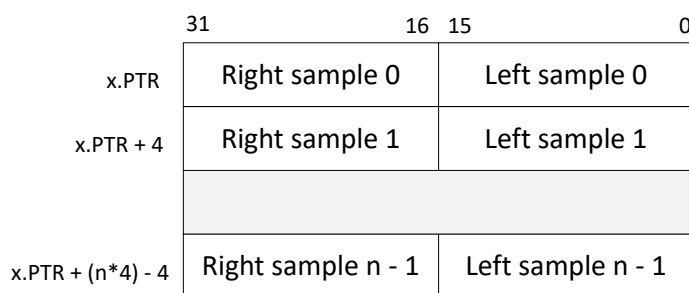


Figure 54: Memory mapping for 16 bit stereo. CONFIG.SWIDTH = 16Bit, CONFIG.CHANNELS = Stereo.

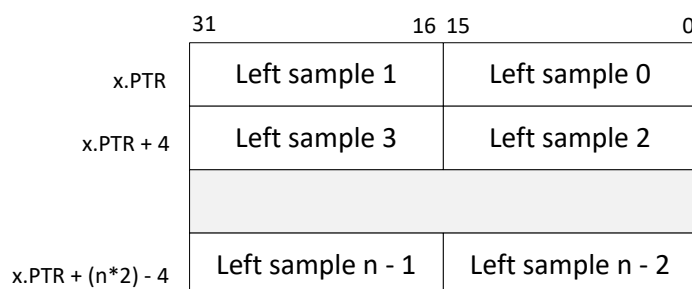


Figure 55: Memory mapping for 16 bit mono, left channel only. CONFIG.SWIDTH = 16Bit, CONFIG.CHANNELS = Left.

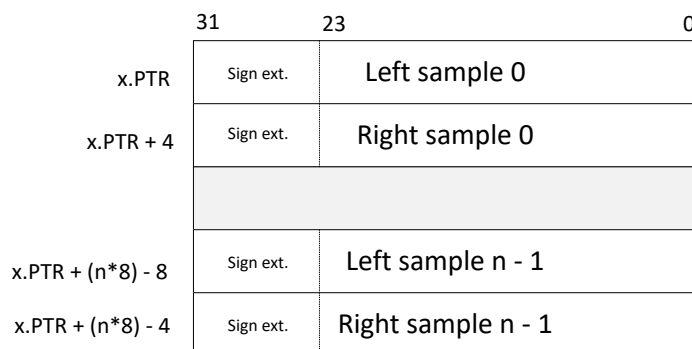


Figure 56: Memory mapping for 24 bit stereo. CONFIG.SWIDTH = 24Bit, CONFIG.CHANNELS = Stereo.

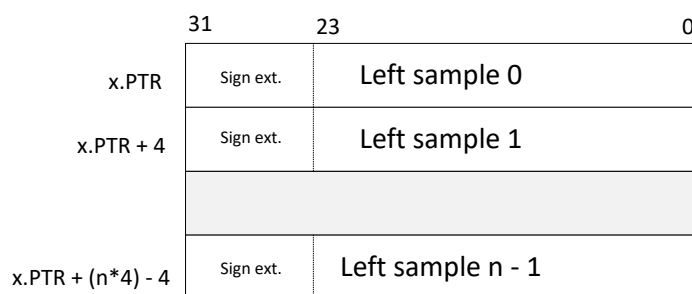


Figure 57: Memory mapping for 24 bit mono, left channel only. CONFIG.SWIDTH = 24Bit, CONFIG.CHANNELS = Left.

### 6.11.8 Module operation

Described here is a typical operating procedure for the I<sup>2</sup>S module.



## 1. Configure the I<sup>2</sup>S module using the CONFIG registers

```

// Enable reception
NRF_I2S->CONFIG.RXEN = (I2S_CONFIG_RXEN_RXEN_Enabled <<
                        I2S_CONFIG_RXEN_RXEN_Pos);

// Enable transmission
NRF_I2S->CONFIG.TXEN = (I2S_CONFIG_TXEN_TXEN_Enabled <<
                        I2S_CONFIG_TXEN_TXEN_Pos);

// Enable MCK generator
NRF_I2S->CONFIG.MCKEN = (I2S_CONFIG_MCKEN_MCKEN_Enabled <<
                        I2S_CONFIG_MCKEN_MCKEN_Pos);

// MCKFREQ = 4 MHz
NRF_I2S->CONFIG.MCKFREQ = I2S_CONFIG_MCKFREQ_MCKFREQ_32MDIV8 <<
                        I2S_CONFIG_MCKFREQ_MCKFREQ_Pos;

// Ratio = 256
NRF_I2S->CONFIG.RATIO = I2S_CONFIG_RATIO_RATIO_256X <<
                        I2S_CONFIG_RATIO_RATIO_Pos;

// MCKFREQ = 4 MHz and Ratio = 256 gives sample rate = 15.625 ks/s
// Sample width = 16 bit
NRF_I2S->CONFIG.SWIDTH = I2S_CONFIG_SWIDTH_SWIDTH_16Bit <<
                        I2S_CONFIG_SWIDTH_SWIDTH_Pos;

// Alignment = Left
NRF_I2S->CONFIG.ALIGN = I2S_CONFIG_ALIGN_ALIGN_Left <<
                        I2S_CONFIG_ALIGN_ALIGN_Pos;

// Format = I2S
NRF_I2S->CONFIG.FORMAT = I2S_CONFIG_FORMAT_FORMAT_I2S <<
                        I2S_CONFIG_FORMAT_FORMAT_Pos;

// Use stereo
NRF_I2S->CONFIG.CHANNELS = I2S_CONFIG_CHANNELS_CHANNELS_Stereo <<
                        I2S_CONFIG_CHANNELS_CHANNELS_Pos;

```

## 2. Map IO pins using the PINSEL registers

```

// MCK routed to pin 0
NRF_I2S->PSEL.MCK = (0 << I2S_PSEL_MCK_PIN_Pos) |
                    (I2S_PSEL_MCK_CONNECT_Connected <<
                     I2S_PSEL_MCK_CONNECT_Pos);

// SCK routed to pin 1
NRF_I2S->PSEL.SCK = (1 << I2S_PSEL_SCK_PIN_Pos) |
                    (I2S_PSEL_SCK_CONNECT_Connected <<
                     I2S_PSEL_SCK_CONNECT_Pos);

// LRCK routed to pin 2
NRF_I2S->PSEL.LRCK = (2 << I2S_PSEL_LRCK_PIN_Pos) |
                     (I2S_PSEL_LRCK_CONNECT_Connected <<
                      I2S_PSEL_LRCK_CONNECT_Pos);

// SDOUT routed to pin 3
NRF_I2S->PSEL.SDOUT = (3 << I2S_PSEL_SDOUT_PIN_Pos) |
                      (I2S_PSEL_SDOUT_CONNECT_Connected <<
                       I2S_PSEL_SDOUT_CONNECT_Pos);

// SDIN routed on pin 4
NRF_I2S->PSEL.SDIN = (4 << I2S_PSEL_SDIN_PIN_Pos) |
                     (I2S_PSEL_SDIN_CONNECT_Connected <<
                      I2S_PSEL_SDIN_CONNECT_Pos);

```

### 3. Configure TX and RX data pointers using the TXD, RXD and RXTXD registers

```
NRF_I2S->TXD.PTR = my_tx_buf;
NRF_I2S->RXD.PTR = my_rx_buf;
NRF_I2S->TXD.MAXCNT = MY_BUF_SIZE;
```

### 4. Enable the I<sup>2</sup>S module using the ENABLE register

```
NRF_I2S->ENABLE = 1;
```

### 5. Start audio streaming using the START task

```
NRF_I2S->TASKS_START = 1;
```

### 6. Handle received and transmitted data when receiving the TXPTRUPD and RXPTRUPD events

```
if (NRF_I2S->EVENTS_TXPTRUPD != 0)
{
    NRF_I2S->TXD.PTR = my_next_tx_buf;
    NRF_I2S->EVENTS_TXPTRUPD = 0;
}

if (NRF_I2S->EVENTS_RXPTRUPD != 0)
{
    NRF_I2S->RXD.PTR = my_next_rx_buf;
    NRF_I2S->EVENTS_RXPTRUPD = 0;
}
```

## 6.11.9 Pin configuration

The MCK, SCK, LRCK, SDIN and SDOUT signals associated with the I<sup>2</sup>S module are mapped to physical pins according to the pin numbers specified in the PSEL.x registers.

These pins are acquired whenever the I<sup>2</sup>S module is enabled through the register [ENABLE](#) on page 178.

When a pin is acquired by the I<sup>2</sup>S module, the direction of the pin (input or output) will be configured automatically, and any pin direction setting done in the GPIO module will be overridden. The directions for the various I<sup>2</sup>S pins are shown below in [GPIO configuration before enabling peripheral \(master mode\)](#) on page 174 and [GPIO configuration before enabling peripheral \(slave mode\)](#) on page 175.

To secure correct signal levels on the pins when the system is in OFF mode, and when the I<sup>2</sup>S module is disabled, these pins must be configured in the GPIO peripheral directly.

| I <sup>2</sup> S signal | I <sup>2</sup> S pin       | Direction | Output value   | Comment |
|-------------------------|----------------------------|-----------|----------------|---------|
| MCK                     | As specified in PSEL.MCK   | Output    | 0              |         |
| LRCK                    | As specified in PSEL.LRCK  | Output    | 0              |         |
| SCK                     | As specified in PSEL.SCK   | Output    | 0              |         |
| SDIN                    | As specified in PSEL.SDIN  | Input     | Not applicable |         |
| SDOUT                   | As specified in PSEL.SDOUT | Output    | 0              |         |

Table 55: GPIO configuration before enabling peripheral (master mode)

| I <sup>2</sup> S signal | I <sup>2</sup> S pin       | Direction | Output value   | Comment |
|-------------------------|----------------------------|-----------|----------------|---------|
| MCK                     | As specified in PSEL.MCK   | Output    | 0              |         |
| LRCK                    | As specified in PSEL.LRCK  | Input     | Not applicable |         |
| SCK                     | As specified in PSEL.SCK   | Input     | Not applicable |         |
| SDIN                    | As specified in PSEL.SDIN  | Input     | Not applicable |         |
| SDOUT                   | As specified in PSEL.SDOUT | Output    | 0              |         |

Table 56: GPIO configuration before enabling peripheral (slave mode)

## 6.11.10 Registers

| Base address | Peripheral | Instance | Description              | Configuration |
|--------------|------------|----------|--------------------------|---------------|
| 0x40025000   | I2S        | I2S      | Inter-IC sound interface |               |

Table 57: Instances

| Register        | Offset | Description   |
|-----------------|--------|---|
| TASKS_START     | 0x000  | Starts continuous I2S transfer. Also starts MCK generator when this is enabled.   |
| TASKS_STOP      | 0x004  | Stops I2S transfer. Also stops MCK generator. Triggering this task will cause the STOPPED event to be generated.  |
| EVENTS_RXPTRUPD | 0x104  | The RXD.PTR register has been copied to internal double-buffers. When the I2S module is started and RX is enabled, this event will be generated for every RXTXD.MAXCNT words that are received on the SDIN pin. |
| EVENTS_STOPPED  | 0x108  | I2S transfer stopped.   |
| EVENTS_TXPTRUPD | 0x114  | The TDY.PTR register has been copied to internal double-buffers. When the I2S module is started and TX is enabled, this event will be generated for every RXTXD.MAXCNT words that are sent on the SDOUT pin.    |
| INTEN           | 0x300  | Enable or disable interrupt   |
| INTENSET        | 0x304  | Enable interrupt  |
| INTENCLR        | 0x308  | Disable interrupt   |
| ENABLE          | 0x500  | Enable I2S module.  |
| CONFIG.MODE     | 0x504  | I2S mode.   |
| CONFIG.RXEN     | 0x508  | Reception (RX) enable.  |
| CONFIG.TXEN     | 0x50C  | Transmission (TX) enable.   |
| CONFIG.MCKEN    | 0x510  | Master clock generator enable.  |
| CONFIG.MCKFREQ  | 0x514  | Master clock generator frequency.   |
| CONFIG.RATIO    | 0x518  | MCK / LRCK ratio.   |
| CONFIG.SWIDTH   | 0x51C  | Sample width.   |
| CONFIG.ALIGN    | 0x520  | Alignment of sample within a frame.   |
| CONFIG.FORMAT   | 0x524  | Frame format.   |
| CONFIG.CHANNELS | 0x528  | Enable channels.  |
| RXD.PTR         | 0x538  | Receive buffer RAM start address.   |
| TXD.PTR         | 0x540  | Transmit buffer RAM start address.  |
| RXTXD.MAXCNT    | 0x550  | Size of RXD and TXD buffers.  |
| PSEL.MCK        | 0x560  | Pin select for MCK signal.  |
| PSEL.SCK        | 0x564  | Pin select for SCK signal.  |
| PSEL.LRCK       | 0x568  | Pin select for LRCK signal.   |
| PSEL.SDIN       | 0x56C  | Pin select for SDIN signal.   |
| PSEL.SDOUT      | 0x570  | Pin select for SDOUT signal.  |

Table 58: Register overview

### 6.11.10.1 TASKS\_START

Address offset: 0x000

Starts continuous I2S transfer. Also starts MCK generator when this is enabled.

| Bit number       | 31  | 30          | 29       | 28    | 27  | 26 | 25 | 24 | 23 | 22 | 21 | 20 | 19 | 18 | 17 | 16 | 15 | 14 | 13 | 12 | 11 | 10 | 9 | 8 | 7 | 6 | 5 | 4 | 3 | 2 | 1 | 0 |   |
|------------------|---|-------------|----------|-------|---|----|----|----|----|----|----|----|----|----|----|----|----|----|----|----|----|----|---|---|---|---|---|---|---|---|---|---|---|
| ID               |   |             |          |       |   |    |    |    |    |    |    |    |    |    |    |    |    |    |    |    |    |    |   |   |   |   |   |   |   |   |   |   | A |
| Reset 0x00000000 | 0 |             |          |       |   |    |    |    |    |    |    |    |    |    |    |    |    |    |    |    |    |    |   |   |   |   |   |   |   |   |   |   |   |
| ID               | Acce  | Field       | Value ID | Value | Description   |    |    |    |    |    |    |    |    |    |    |    |    |    |    |    |    |    |   |   |   |   |   |   |   |   |   |   |   |
| A                | W   | TASKS_START |          |       | Starts continuous I2S transfer. Also starts MCK generator when this is enabled. |    |    |    |    |    |    |    |    |    |    |    |    |    |    |    |    |    |   |   |   |   |   |   |   |   |   |   |   |
|                  |   |             | Trigger  | 1     | Trigger task  |    |    |    |    |    |    |    |    |    |    |    |    |    |    |    |    |    |   |   |   |   |   |   |   |   |   |   |   |

### 6.11.10.2 TASKS\_STOP

Address offset: 0x004

Stops I2S transfer. Also stops MCK generator. Triggering this task will cause the STOPPED event to be generated.

| Bit number       | 31  | 30         | 29       | 28    | 27   | 26 | 25 | 24 | 23 | 22 | 21 | 20 | 19 | 18 | 17 | 16 | 15 | 14 | 13 | 12 | 11 | 10 | 9 | 8 | 7 | 6 | 5 | 4 | 3 | 2 | 1 | 0 |   |
|------------------|---|------------|----------|-------|--|----|----|----|----|----|----|----|----|----|----|----|----|----|----|----|----|----|---|---|---|---|---|---|---|---|---|---|---|
| ID               |   |            |          |       |  |    |    |    |    |    |    |    |    |    |    |    |    |    |    |    |    |    |   |   |   |   |   |   |   |   |   |   | A |
| Reset 0x00000000 | 0 |            |          |       |  |    |    |    |    |    |    |    |    |    |    |    |    |    |    |    |    |    |   |   |   |   |   |   |   |   |   |   |   |
| ID               | Acce  | Field      | Value ID | Value | Description  |    |    |    |    |    |    |    |    |    |    |    |    |    |    |    |    |    |   |   |   |   |   |   |   |   |   |   |   |
| A                | W   | TASKS_STOP |          |       | Stops I2S transfer. Also stops MCK generator. Triggering this task will cause the STOPPED event to be generated. |    |    |    |    |    |    |    |    |    |    |    |    |    |    |    |    |    |   |   |   |   |   |   |   |   |   |   |   |
|                  |   |            | Trigger  | 1     | Trigger task   |    |    |    |    |    |    |    |    |    |    |    |    |    |    |    |    |    |   |   |   |   |   |   |   |   |   |   |   |

### 6.11.10.3 EVENTS\_RXPTRUPD

Address offset: 0x104

The RXD.PTR register has been copied to internal double-buffers. When the I2S module is started and RX is enabled, this event will be generated for every RXTXD.MAXCNT words that are received on the SDIN pin.

| Bit number       | 31  | 30              | 29           | 28    | 27  | 26 | 25 | 24 | 23 | 22 | 21 | 20 | 19 | 18 | 17 | 16 | 15 | 14 | 13 | 12 | 11 | 10 | 9 | 8 | 7 | 6 | 5 | 4 | 3 | 2 | 1 | 0 |   |
|------------------|---|-----------------|--------------|-------|---|----|----|----|----|----|----|----|----|----|----|----|----|----|----|----|----|----|---|---|---|---|---|---|---|---|---|---|---|
| ID               |   |                 |              |       |   |    |    |    |    |    |    |    |    |    |    |    |    |    |    |    |    |    |   |   |   |   |   |   |   |   |   |   | A |
| Reset 0x00000000 | 0 |                 |              |       |   |    |    |    |    |    |    |    |    |    |    |    |    |    |    |    |    |    |   |   |   |   |   |   |   |   |   |   |   |
| ID               | Acce  | Field           | Value ID     | Value | Description   |    |    |    |    |    |    |    |    |    |    |    |    |    |    |    |    |    |   |   |   |   |   |   |   |   |   |   |   |
| A                | RW  | EVENTS_RXPTRUPD |              |       | The RXD.PTR register has been copied to internal double-buffers. When the I2S module is started and RX is enabled, this event will be generated for every RXTXD.MAXCNT words that are received on the SDIN pin. |    |    |    |    |    |    |    |    |    |    |    |    |    |    |    |    |    |   |   |   |   |   |   |   |   |   |   |   |
|                  |   |                 | NotGenerated | 0     | Event not generated   |    |    |    |    |    |    |    |    |    |    |    |    |    |    |    |    |    |   |   |   |   |   |   |   |   |   |   |   |
|                  |   |                 | Generated    | 1     | Event generated   |    |    |    |    |    |    |    |    |    |    |    |    |    |    |    |    |    |   |   |   |   |   |   |   |   |   |   |   |

### 6.11.10.4 EVENTS\_STOPPED

Address offset: 0x108

I2S transfer stopped.

| Bit number       | 31  | 30           | 29    | 28                    | 27 | 26 | 25 | 24 | 23 | 22 | 21 | 20 | 19 | 18 | 17 | 16 | 15 | 14 | 13 | 12 | 11 | 10 | 9 | 8 | 7 | 6 | 5 | 4 | 3 | 2 | 1 | 0 |
|------------------|---|--------------|-------|-----------------------|----|----|----|----|----|----|----|----|----|----|----|----|----|----|----|----|----|----|---|---|---|---|---|---|---|---|---|---|
| ID               |   |              |       |                       |    |    |    |    |    |    |    |    |    |    |    |    |    |    |    |    |    |    |   |   |   |   |   |   |   |   |   | A |
| Reset 0x00000000 | 0 |              |       |                       |    |    |    |    |    |    |    |    |    |    |    |    |    |    |    |    |    |    |   |   |   |   |   |   |   |   |   |   |
| ID               | Acce Field  | Value ID     | Value | Description           |    |    |    |    |    |    |    |    |    |    |    |    |    |    |    |    |    |    |   |   |   |   |   |   |   |   |   |   |
| A                | RW EVENTS_STOPPED   |              |       | I2S transfer stopped. |    |    |    |    |    |    |    |    |    |    |    |    |    |    |    |    |    |    |   |   |   |   |   |   |   |   |   |   |
|                  |   | NotGenerated | 0     | Event not generated   |    |    |    |    |    |    |    |    |    |    |    |    |    |    |    |    |    |    |   |   |   |   |   |   |   |   |   |   |
|                  |   | Generated    | 1     | Event generated       |    |    |    |    |    |    |    |    |    |    |    |    |    |    |    |    |    |    |   |   |   |   |   |   |   |   |   |   |

### 6.11.10.5 EVENTS\_TXPTRUPD

Address offset: 0x114

The TDX.PTR register has been copied to internal double-buffers. When the I2S module is started and TX is enabled, this event will be generated for every RXTXD.MAXCNT words that are sent on the SDOOUT pin.

| Bit number       | 31  | 30           | 29    | 28  | 27 | 26 | 25 | 24 | 23 | 22 | 21 | 20 | 19 | 18 | 17 | 16 | 15 | 14 | 13 | 12 | 11 | 10 | 9 | 8 | 7 | 6 | 5 | 4 | 3 | 2 | 1 | 0 |
|------------------|---|--------------|-------|---|----|----|----|----|----|----|----|----|----|----|----|----|----|----|----|----|----|----|---|---|---|---|---|---|---|---|---|---|
| ID               |   |              |       |   |    |    |    |    |    |    |    |    |    |    |    |    |    |    |    |    |    |    |   |   |   |   |   |   |   |   |   | A |
| Reset 0x00000000 | 0 |              |       |   |    |    |    |    |    |    |    |    |    |    |    |    |    |    |    |    |    |    |   |   |   |   |   |   |   |   |   |   |
| ID               | Acce Field  | Value ID     | Value | Description   |    |    |    |    |    |    |    |    |    |    |    |    |    |    |    |    |    |    |   |   |   |   |   |   |   |   |   |   |
| A                | RW EVENTS_TXPTRUPD  |              |       | The TDX.PTR register has been copied to internal double-buffers. When the I2S module is started and TX is enabled, this event will be generated for every RXTXD.MAXCNT words that are sent on the SDOOUT pin. |    |    |    |    |    |    |    |    |    |    |    |    |    |    |    |    |    |    |   |   |   |   |   |   |   |   |   |   |
|                  |   | NotGenerated | 0     | Event not generated   |    |    |    |    |    |    |    |    |    |    |    |    |    |    |    |    |    |    |   |   |   |   |   |   |   |   |   |   |
|                  |   | Generated    | 1     | Event generated   |    |    |    |    |    |    |    |    |    |    |    |    |    |    |    |    |    |    |   |   |   |   |   |   |   |   |   |   |

### 6.11.10.6 INTEN

Address offset: 0x300

Enable or disable interrupt

| Bit number       | 31  | 30       | 29    | 28          | 27 | 26 | 25 | 24 | 23 | 22 | 21 | 20 | 19 | 18 | 17 | 16 | 15 | 14 | 13 | 12 | 11 | 10 | 9 | 8 | 7 | 6 | 5 | 4 | 3 | 2 | 1 | 0 |   |   |
|------------------|---|----------|-------|-------------|----|----|----|----|----|----|----|----|----|----|----|----|----|----|----|----|----|----|---|---|---|---|---|---|---|---|---|---|---|---|
| ID               |   |          |       |             |    |    |    |    |    |    |    |    |    |    |    |    |    |    |    |    |    |    |   |   |   |   |   |   |   |   |   | F | C | B |
| Reset 0x00000000 | 0 |          |       |             |    |    |    |    |    |    |    |    |    |    |    |    |    |    |    |    |    |    |   |   |   |   |   |   |   |   |   |   |   |   |
| ID               | Acce Field  | Value ID | Value | Description |    |    |    |    |    |    |    |    |    |    |    |    |    |    |    |    |    |    |   |   |   |   |   |   |   |   |   |   |   |   |
| B                | RW RXPTRUPD   | Disabled | 0     | Disable     |    |    |    |    |    |    |    |    |    |    |    |    |    |    |    |    |    |    |   |   |   |   |   |   |   |   |   |   |   |   |
|                  |   | Enabled  | 1     | Enable      |    |    |    |    |    |    |    |    |    |    |    |    |    |    |    |    |    |    |   |   |   |   |   |   |   |   |   |   |   |   |
| C                | RW STOPPED  | Disabled | 0     | Disable     |    |    |    |    |    |    |    |    |    |    |    |    |    |    |    |    |    |    |   |   |   |   |   |   |   |   |   |   |   |   |
|                  |   | Enabled  | 1     | Enable      |    |    |    |    |    |    |    |    |    |    |    |    |    |    |    |    |    |    |   |   |   |   |   |   |   |   |   |   |   |   |
| F                | RW TXPTRUPD   | Disabled | 0     | Disable     |    |    |    |    |    |    |    |    |    |    |    |    |    |    |    |    |    |    |   |   |   |   |   |   |   |   |   |   |   |   |
|                  |   | Enabled  | 1     | Enable      |    |    |    |    |    |    |    |    |    |    |    |    |    |    |    |    |    |    |   |   |   |   |   |   |   |   |   |   |   |   |

### 6.11.10.7 INTENSET

Address offset: 0x304

Enable interrupt

| Bit number       |             | 31 30 29 28 27 26 25 24 23 22 21 20 19 18 17 16 15 14 13 12 11 10 9 8 7 6 5 4 3 2 1 0 |       |   |  |  |  |  |  |  |  |  |  |  |  |  |  |  |  |  |  |  |  |  |  |  |  |   |   |   |
|------------------|-------------|---|-------|---|--|--|--|--|--|--|--|--|--|--|--|--|--|--|--|--|--|--|--|--|--|--|--|---|---|---|
| ID               |             |   |       |   |  |  |  |  |  |  |  |  |  |  |  |  |  |  |  |  |  |  |  |  |  |  |  | F | C | B |
| Reset 0x00000000 |             | 0                       |       |   |  |  |  |  |  |  |  |  |  |  |  |  |  |  |  |  |  |  |  |  |  |  |  |   |   |   |
| ID               | Acce Field  | Value ID  | Value | Description   |  |  |  |  |  |  |  |  |  |  |  |  |  |  |  |  |  |  |  |  |  |  |  |   |   |   |
| B                | RW RXPTRUPD |   |       | Write '1' to enable interrupt for event <b>RXPTRUPD</b> |  |  |  |  |  |  |  |  |  |  |  |  |  |  |  |  |  |  |  |  |  |  |  |   |   |   |
|                  |             | Set   | 1     | Enable  |  |  |  |  |  |  |  |  |  |  |  |  |  |  |  |  |  |  |  |  |  |  |  |   |   |   |
|                  |             | Disabled  | 0     | Read: Disabled  |  |  |  |  |  |  |  |  |  |  |  |  |  |  |  |  |  |  |  |  |  |  |  |   |   |   |
|                  |             | Enabled   | 1     | Read: Enabled   |  |  |  |  |  |  |  |  |  |  |  |  |  |  |  |  |  |  |  |  |  |  |  |   |   |   |
| C                | RW STOPPED  |   |       | Write '1' to enable interrupt for event <b>STOPPED</b>  |  |  |  |  |  |  |  |  |  |  |  |  |  |  |  |  |  |  |  |  |  |  |  |   |   |   |
|                  |             | Set   | 1     | Enable  |  |  |  |  |  |  |  |  |  |  |  |  |  |  |  |  |  |  |  |  |  |  |  |   |   |   |
|                  |             | Disabled  | 0     | Read: Disabled  |  |  |  |  |  |  |  |  |  |  |  |  |  |  |  |  |  |  |  |  |  |  |  |   |   |   |
|                  |             | Enabled   | 1     | Read: Enabled   |  |  |  |  |  |  |  |  |  |  |  |  |  |  |  |  |  |  |  |  |  |  |  |   |   |   |
| F                | RW TXPTRUPD |   |       | Write '1' to enable interrupt for event <b>TXPTRUPD</b> |  |  |  |  |  |  |  |  |  |  |  |  |  |  |  |  |  |  |  |  |  |  |  |   |   |   |
|                  |             | Set   | 1     | Enable  |  |  |  |  |  |  |  |  |  |  |  |  |  |  |  |  |  |  |  |  |  |  |  |   |   |   |
|                  |             | Disabled  | 0     | Read: Disabled  |  |  |  |  |  |  |  |  |  |  |  |  |  |  |  |  |  |  |  |  |  |  |  |   |   |   |
|                  |             | Enabled   | 1     | Read: Enabled   |  |  |  |  |  |  |  |  |  |  |  |  |  |  |  |  |  |  |  |  |  |  |  |   |   |   |

### 6.11.10.8 INTENCLR

Address offset: 0x308

Disable interrupt

| Bit number       |             | 31 30 29 28 27 26 25 24 23 22 21 20 19 18 17 16 15 14 13 12 11 10 9 8 7 6 5 4 3 2 1 0 |       |  |  |  |  |  |  |  |  |  |  |  |  |  |  |  |  |  |  |  |  |  |  |  |  |   |   |   |
|------------------|-------------|---|-------|--|--|--|--|--|--|--|--|--|--|--|--|--|--|--|--|--|--|--|--|--|--|--|--|---|---|---|
| ID               |             |   |       |  |  |  |  |  |  |  |  |  |  |  |  |  |  |  |  |  |  |  |  |  |  |  |  | F | C | B |
| Reset 0x00000000 |             | 0                       |       |  |  |  |  |  |  |  |  |  |  |  |  |  |  |  |  |  |  |  |  |  |  |  |  |   |   |   |
| ID               | Acce Field  | Value ID  | Value | Description  |  |  |  |  |  |  |  |  |  |  |  |  |  |  |  |  |  |  |  |  |  |  |  |   |   |   |
| B                | RW RXPTRUPD |   |       | Write '1' to disable interrupt for event <b>RXPTRUPD</b> |  |  |  |  |  |  |  |  |  |  |  |  |  |  |  |  |  |  |  |  |  |  |  |   |   |   |
|                  |             | Clear   | 1     | Disable  |  |  |  |  |  |  |  |  |  |  |  |  |  |  |  |  |  |  |  |  |  |  |  |   |   |   |
|                  |             | Disabled  | 0     | Read: Disabled   |  |  |  |  |  |  |  |  |  |  |  |  |  |  |  |  |  |  |  |  |  |  |  |   |   |   |
|                  |             | Enabled   | 1     | Read: Enabled  |  |  |  |  |  |  |  |  |  |  |  |  |  |  |  |  |  |  |  |  |  |  |  |   |   |   |
| C                | RW STOPPED  |   |       | Write '1' to disable interrupt for event <b>STOPPED</b>  |  |  |  |  |  |  |  |  |  |  |  |  |  |  |  |  |  |  |  |  |  |  |  |   |   |   |
|                  |             | Clear   | 1     | Disable  |  |  |  |  |  |  |  |  |  |  |  |  |  |  |  |  |  |  |  |  |  |  |  |   |   |   |
|                  |             | Disabled  | 0     | Read: Disabled   |  |  |  |  |  |  |  |  |  |  |  |  |  |  |  |  |  |  |  |  |  |  |  |   |   |   |
|                  |             | Enabled   | 1     | Read: Enabled  |  |  |  |  |  |  |  |  |  |  |  |  |  |  |  |  |  |  |  |  |  |  |  |   |   |   |
| F                | RW TXPTRUPD |   |       | Write '1' to disable interrupt for event <b>TXPTRUPD</b> |  |  |  |  |  |  |  |  |  |  |  |  |  |  |  |  |  |  |  |  |  |  |  |   |   |   |
|                  |             | Clear   | 1     | Disable  |  |  |  |  |  |  |  |  |  |  |  |  |  |  |  |  |  |  |  |  |  |  |  |   |   |   |
|                  |             | Disabled  | 0     | Read: Disabled   |  |  |  |  |  |  |  |  |  |  |  |  |  |  |  |  |  |  |  |  |  |  |  |   |   |   |
|                  |             | Enabled   | 1     | Read: Enabled  |  |  |  |  |  |  |  |  |  |  |  |  |  |  |  |  |  |  |  |  |  |  |  |   |   |   |

### 6.11.10.9 ENABLE

Address offset: 0x500

Enable I2S module.

| Bit number       |            | 31 30 29 28 27 26 25 24 23 22 21 20 19 18 17 16 15 14 13 12 11 10 9 8 7 6 5 4 3 2 1 0 |       |                    |  |  |  |  |  |  |  |  |  |  |  |  |  |  |  |  |  |  |  |  |  |  |  |   |  |
|------------------|------------|---|-------|--------------------|--|--|--|--|--|--|--|--|--|--|--|--|--|--|--|--|--|--|--|--|--|--|--|---|--|
| ID               |            |   |       |                    |  |  |  |  |  |  |  |  |  |  |  |  |  |  |  |  |  |  |  |  |  |  |  | A |  |
| Reset 0x00000000 |            | 0                       |       |                    |  |  |  |  |  |  |  |  |  |  |  |  |  |  |  |  |  |  |  |  |  |  |  |   |  |
| ID               | Acce Field | Value ID  | Value | Description        |  |  |  |  |  |  |  |  |  |  |  |  |  |  |  |  |  |  |  |  |  |  |  |   |  |
| A                | RW ENABLE  |   |       | Enable I2S module. |  |  |  |  |  |  |  |  |  |  |  |  |  |  |  |  |  |  |  |  |  |  |  |   |  |
|                  |            | Disabled  | 0     | Disable            |  |  |  |  |  |  |  |  |  |  |  |  |  |  |  |  |  |  |  |  |  |  |  |   |  |
|                  |            | Enabled   | 1     | Enable             |  |  |  |  |  |  |  |  |  |  |  |  |  |  |  |  |  |  |  |  |  |  |  |   |  |

### 6.11.10.10 CONFIG.MODE

Address offset: 0x504

I2S mode.

| Bit number              | 31 30 29 28 27 26 25 24 23 22 21 20 19 18 17 16 15 14 13 12 11 10 9 8 7 6 5 4 3 2 1 0 |          |       |  |  |  |  |  |  |  |  |  |  |  |  |  |  |  |  |  |  |  |  |  |  |  |  |  |  |  |  |
|-------------------------|---|----------|-------|--|--|--|--|--|--|--|--|--|--|--|--|--|--|--|--|--|--|--|--|--|--|--|--|--|--|--|--|
| ID                      | A   |          |       |  |  |  |  |  |  |  |  |  |  |  |  |  |  |  |  |  |  |  |  |  |  |  |  |  |  |  |  |
| <b>Reset 0x00000000</b> | <b>0 0</b>        |          |       |  |  |  |  |  |  |  |  |  |  |  |  |  |  |  |  |  |  |  |  |  |  |  |  |  |  |  |  |
| ID                      | Acce Field  | Value ID | Value | Description  |  |  |  |  |  |  |  |  |  |  |  |  |  |  |  |  |  |  |  |  |  |  |  |  |  |  |  |
| A                       | RW MODE   |          |       | I2S mode.  |  |  |  |  |  |  |  |  |  |  |  |  |  |  |  |  |  |  |  |  |  |  |  |  |  |  |  |
|                         |   | Master   | 0     | Master mode. SCK and LRCK generated from internal master clock (MCK) and output on pins defined by PSEL.xxx. |  |  |  |  |  |  |  |  |  |  |  |  |  |  |  |  |  |  |  |  |  |  |  |  |  |  |  |
|                         |   | Slave    | 1     | Slave mode. SCK and LRCK generated by external master and received on pins defined by PSEL.xxx               |  |  |  |  |  |  |  |  |  |  |  |  |  |  |  |  |  |  |  |  |  |  |  |  |  |  |  |

### 6.11.10.11 CONFIG.RXEN

Address offset: 0x508

Reception (RX) enable.

| Bit number              | 31 30 29 28 27 26 25 24 23 22 21 20 19 18 17 16 15 14 13 12 11 10 9 8 7 6 5 4 3 2 1 0 |          |       |   |  |  |  |  |  |  |  |  |  |  |  |  |  |  |  |  |  |  |  |  |  |  |  |  |  |  |  |
|-------------------------|---|----------|-------|---|--|--|--|--|--|--|--|--|--|--|--|--|--|--|--|--|--|--|--|--|--|--|--|--|--|--|--|
| ID                      | A   |          |       |   |  |  |  |  |  |  |  |  |  |  |  |  |  |  |  |  |  |  |  |  |  |  |  |  |  |  |  |
| <b>Reset 0x00000000</b> | <b>0 0</b>            |          |       |   |  |  |  |  |  |  |  |  |  |  |  |  |  |  |  |  |  |  |  |  |  |  |  |  |  |  |  |
| ID                      | Acce Field  | Value ID | Value | Description   |  |  |  |  |  |  |  |  |  |  |  |  |  |  |  |  |  |  |  |  |  |  |  |  |  |  |  |
| A                       | RW RXEN   |          |       | Reception (RX) enable.  |  |  |  |  |  |  |  |  |  |  |  |  |  |  |  |  |  |  |  |  |  |  |  |  |  |  |  |
|                         |   | Disabled | 0     | Reception disabled and now data will be written to the RXD.PTR address. |  |  |  |  |  |  |  |  |  |  |  |  |  |  |  |  |  |  |  |  |  |  |  |  |  |  |  |
|                         |   | Enabled  | 1     | Reception enabled.  |  |  |  |  |  |  |  |  |  |  |  |  |  |  |  |  |  |  |  |  |  |  |  |  |  |  |  |

### 6.11.10.12 CONFIG.TXEN

Address offset: 0x50C

Transmission (TX) enable.

| Bit number              | 31 30 29 28 27 26 25 24 23 22 21 20 19 18 17 16 15 14 13 12 11 10 9 8 7 6 5 4 3 2 1 0 |          |       |   |  |  |  |  |  |  |  |  |  |  |  |  |  |  |  |  |  |  |  |  |  |  |  |  |  |  |  |
|-------------------------|---|----------|-------|---|--|--|--|--|--|--|--|--|--|--|--|--|--|--|--|--|--|--|--|--|--|--|--|--|--|--|--|
| ID                      | A   |          |       |   |  |  |  |  |  |  |  |  |  |  |  |  |  |  |  |  |  |  |  |  |  |  |  |  |  |  |  |
| <b>Reset 0x00000001</b> | <b>0 1</b>            |          |       |   |  |  |  |  |  |  |  |  |  |  |  |  |  |  |  |  |  |  |  |  |  |  |  |  |  |  |  |
| ID                      | Acce Field  | Value ID | Value | Description   |  |  |  |  |  |  |  |  |  |  |  |  |  |  |  |  |  |  |  |  |  |  |  |  |  |  |  |
| A                       | RW TXEN   |          |       | Transmission (TX) enable.   |  |  |  |  |  |  |  |  |  |  |  |  |  |  |  |  |  |  |  |  |  |  |  |  |  |  |  |
|                         |   | Disabled | 0     | Transmission disabled and now data will be read from the RXD.TXD address. |  |  |  |  |  |  |  |  |  |  |  |  |  |  |  |  |  |  |  |  |  |  |  |  |  |  |  |
|                         |   | Enabled  | 1     | Transmission enabled.   |  |  |  |  |  |  |  |  |  |  |  |  |  |  |  |  |  |  |  |  |  |  |  |  |  |  |  |

### 6.11.10.13 CONFIG.MCKEN

Address offset: 0x510

Master clock generator enable.

| Bit number              | 31 30 29 28 27 26 25 24 23 22 21 20 19 18 17 16 15 14 13 12 11 10 9 8 7 6 5 4 3 2 1 0 |          |       |  |  |  |  |  |  |  |  |  |  |  |  |  |  |  |  |  |  |  |  |  |  |  |  |  |  |  |  |
|-------------------------|---|----------|-------|--|--|--|--|--|--|--|--|--|--|--|--|--|--|--|--|--|--|--|--|--|--|--|--|--|--|--|--|
| ID                      | A   |          |       |  |  |  |  |  |  |  |  |  |  |  |  |  |  |  |  |  |  |  |  |  |  |  |  |  |  |  |  |
| <b>Reset 0x00000001</b> | <b>0 1</b>      |          |       |  |  |  |  |  |  |  |  |  |  |  |  |  |  |  |  |  |  |  |  |  |  |  |  |  |  |  |  |
| ID                      | Acce Field  | Value ID | Value | Description  |  |  |  |  |  |  |  |  |  |  |  |  |  |  |  |  |  |  |  |  |  |  |  |  |  |  |  |
| A                       | RW MCKEN  |          |       | Master clock generator enable.   |  |  |  |  |  |  |  |  |  |  |  |  |  |  |  |  |  |  |  |  |  |  |  |  |  |  |  |
|                         |   | Disabled | 0     | Master clock generator disabled and PSEL.MCK not connected(available as GPIO). |  |  |  |  |  |  |  |  |  |  |  |  |  |  |  |  |  |  |  |  |  |  |  |  |  |  |  |
|                         |   | Enabled  | 1     | Master clock generator running and MCK output on PSEL.MCK.                     |  |  |  |  |  |  |  |  |  |  |  |  |  |  |  |  |  |  |  |  |  |  |  |  |  |  |  |

### 6.11.10.14 CONFIG.MCKFREQ

Address offset: 0x514

Master clock generator frequency.

| Bit number              | 31 30 29 28 27 26 25 24 23 22 21 20 19 18 17 16 15 14 13 12 11 10 9 8 7 6 5 4 3 2 1 0 |           |            |                                   |  |  |  |  |  |  |  |  |  |  |  |  |  |  |  |  |  |  |  |  |  |  |  |  |  |  |  |
|-------------------------|---|-----------|------------|-----------------------------------|--|--|--|--|--|--|--|--|--|--|--|--|--|--|--|--|--|--|--|--|--|--|--|--|--|--|--|
| ID                      | A                   |           |            |                                   |  |  |  |  |  |  |  |  |  |  |  |  |  |  |  |  |  |  |  |  |  |  |  |  |  |  |  |
| <b>Reset 0x20000000</b> | <b>0 0 1 0</b>        |           |            |                                   |  |  |  |  |  |  |  |  |  |  |  |  |  |  |  |  |  |  |  |  |  |  |  |  |  |  |  |
| ID                      | Acce Field  | Value ID  | Value      | Description                       |  |  |  |  |  |  |  |  |  |  |  |  |  |  |  |  |  |  |  |  |  |  |  |  |  |  |  |
| A                       | RW MCKFREQ  |           |            | Master clock generator frequency. |  |  |  |  |  |  |  |  |  |  |  |  |  |  |  |  |  |  |  |  |  |  |  |  |  |  |  |
|                         |   | 32MDIV8   | 0x20000000 | 32 MHz / 8 = 4.0 MHz              |  |  |  |  |  |  |  |  |  |  |  |  |  |  |  |  |  |  |  |  |  |  |  |  |  |  |  |
|                         |   | 32MDIV10  | 0x18000000 | 32 MHz / 10 = 3.2 MHz             |  |  |  |  |  |  |  |  |  |  |  |  |  |  |  |  |  |  |  |  |  |  |  |  |  |  |  |
|                         |   | 32MDIV11  | 0x16000000 | 32 MHz / 11 = 2.9090909 MHz       |  |  |  |  |  |  |  |  |  |  |  |  |  |  |  |  |  |  |  |  |  |  |  |  |  |  |  |
|                         |   | 32MDIV15  | 0x11000000 | 32 MHz / 15 = 2.1333333 MHz       |  |  |  |  |  |  |  |  |  |  |  |  |  |  |  |  |  |  |  |  |  |  |  |  |  |  |  |
|                         |   | 32MDIV16  | 0x10000000 | 32 MHz / 16 = 2.0 MHz             |  |  |  |  |  |  |  |  |  |  |  |  |  |  |  |  |  |  |  |  |  |  |  |  |  |  |  |
|                         |   | 32MDIV21  | 0x0C000000 | 32 MHz / 21 = 1.5238095           |  |  |  |  |  |  |  |  |  |  |  |  |  |  |  |  |  |  |  |  |  |  |  |  |  |  |  |
|                         |   | 32MDIV23  | 0x0B000000 | 32 MHz / 23 = 1.3913043 MHz       |  |  |  |  |  |  |  |  |  |  |  |  |  |  |  |  |  |  |  |  |  |  |  |  |  |  |  |
|                         |   | 32MDIV30  | 0x08800000 | 32 MHz / 30 = 1.0666667 MHz       |  |  |  |  |  |  |  |  |  |  |  |  |  |  |  |  |  |  |  |  |  |  |  |  |  |  |  |
|                         |   | 32MDIV31  | 0x08400000 | 32 MHz / 31 = 1.0322581 MHz       |  |  |  |  |  |  |  |  |  |  |  |  |  |  |  |  |  |  |  |  |  |  |  |  |  |  |  |
|                         |   | 32MDIV32  | 0x08000000 | 32 MHz / 32 = 1.0 MHz             |  |  |  |  |  |  |  |  |  |  |  |  |  |  |  |  |  |  |  |  |  |  |  |  |  |  |  |
|                         |   | 32MDIV42  | 0x06000000 | 32 MHz / 42 = 0.7619048 MHz       |  |  |  |  |  |  |  |  |  |  |  |  |  |  |  |  |  |  |  |  |  |  |  |  |  |  |  |
|                         |   | 32MDIV63  | 0x04100000 | 32 MHz / 63 = 0.5079365 MHz       |  |  |  |  |  |  |  |  |  |  |  |  |  |  |  |  |  |  |  |  |  |  |  |  |  |  |  |
|                         |   | 32MDIV125 | 0x020C0000 | 32 MHz / 125 = 0.256 MHz          |  |  |  |  |  |  |  |  |  |  |  |  |  |  |  |  |  |  |  |  |  |  |  |  |  |  |  |

### 6.11.10.15 CONFIG.RATIO

Address offset: 0x518

MCK / LRCK ratio.

| Bit number              | 31 30 29 28 27 26 25 24 23 22 21 20 19 18 17 16 15 14 13 12 11 10 9 8 7 6 5 4 3 2 1 0 |          |       |                   |  |  |  |  |  |  |  |  |  |  |  |  |  |  |  |  |  |  |  |  |  |  |  |  |  |  |  |
|-------------------------|---|----------|-------|-------------------|--|--|--|--|--|--|--|--|--|--|--|--|--|--|--|--|--|--|--|--|--|--|--|--|--|--|--|
| ID                      | A A A A   |          |       |                   |  |  |  |  |  |  |  |  |  |  |  |  |  |  |  |  |  |  |  |  |  |  |  |  |  |  |  |
| <b>Reset 0x00000006</b> | <b>0 1 1 0</b>          |          |       |                   |  |  |  |  |  |  |  |  |  |  |  |  |  |  |  |  |  |  |  |  |  |  |  |  |  |  |  |
| ID                      | Acce Field  | Value ID | Value | Description       |  |  |  |  |  |  |  |  |  |  |  |  |  |  |  |  |  |  |  |  |  |  |  |  |  |  |  |
| A                       | RW RATIO  |          |       | MCK / LRCK ratio. |  |  |  |  |  |  |  |  |  |  |  |  |  |  |  |  |  |  |  |  |  |  |  |  |  |  |  |
|                         |   | 32X      | 0     | LRCK = MCK / 32   |  |  |  |  |  |  |  |  |  |  |  |  |  |  |  |  |  |  |  |  |  |  |  |  |  |  |  |
|                         |   | 48X      | 1     | LRCK = MCK / 48   |  |  |  |  |  |  |  |  |  |  |  |  |  |  |  |  |  |  |  |  |  |  |  |  |  |  |  |
|                         |   | 64X      | 2     | LRCK = MCK / 64   |  |  |  |  |  |  |  |  |  |  |  |  |  |  |  |  |  |  |  |  |  |  |  |  |  |  |  |
|                         |   | 96X      | 3     | LRCK = MCK / 96   |  |  |  |  |  |  |  |  |  |  |  |  |  |  |  |  |  |  |  |  |  |  |  |  |  |  |  |
|                         |   | 128X     | 4     | LRCK = MCK / 128  |  |  |  |  |  |  |  |  |  |  |  |  |  |  |  |  |  |  |  |  |  |  |  |  |  |  |  |
|                         |   | 192X     | 5     | LRCK = MCK / 192  |  |  |  |  |  |  |  |  |  |  |  |  |  |  |  |  |  |  |  |  |  |  |  |  |  |  |  |
|                         |   | 256X     | 6     | LRCK = MCK / 256  |  |  |  |  |  |  |  |  |  |  |  |  |  |  |  |  |  |  |  |  |  |  |  |  |  |  |  |
|                         |   | 384X     | 7     | LRCK = MCK / 384  |  |  |  |  |  |  |  |  |  |  |  |  |  |  |  |  |  |  |  |  |  |  |  |  |  |  |  |
|                         |   | 512X     | 8     | LRCK = MCK / 512  |  |  |  |  |  |  |  |  |  |  |  |  |  |  |  |  |  |  |  |  |  |  |  |  |  |  |  |



### 6.11.10.16 CONFIG.SWIDTH

Address offset: 0x51C

Sample width.

| Bit number       | 31   | 30     | 29       | 28    | 27            | 26 | 25 | 24 | 23 | 22 | 21 | 20 | 19 | 18 | 17 | 16 | 15 | 14 | 13 | 12 | 11 | 10 | 9 | 8 | 7 | 6 | 5 | 4 | 3 | 2 | 1 | 0 |  |  |  |  |   |
|------------------|------|--------|----------|-------|---------------|----|----|----|----|----|----|----|----|----|----|----|----|----|----|----|----|----|---|---|---|---|---|---|---|---|---|---|--|--|--|--|---|
| ID               |      |        |          |       |               |    |    |    |    |    |    |    |    |    |    |    | A  |    |    |    |    |    |   |   |   |   | A |   |   |   |   |   |  |  |  |  |   |
| Reset 0x00000001 | 0    |        |          |       |               |    |    |    |    |    |    |    |    |    |    |    | 0  |    |    |    |    |    |   |   |   |   | 0 |   |   |   |   |   |  |  |  |  | 1 |
| ID               | Acce | Field  | Value ID | Value | Description   |    |    |    |    |    |    |    |    |    |    |    |    |    |    |    |    |    |   |   |   |   |   |   |   |   |   |   |  |  |  |  |   |
| A                | RW   | SWIDTH |          |       | Sample width. |    |    |    |    |    |    |    |    |    |    |    |    |    |    |    |    |    |   |   |   |   |   |   |   |   |   |   |  |  |  |  |   |
|                  |      |        | 8Bit     | 0     | 8 bit.        |    |    |    |    |    |    |    |    |    |    |    |    |    |    |    |    |    |   |   |   |   |   |   |   |   |   |   |  |  |  |  |   |
|                  |      |        | 16Bit    | 1     | 16 bit.       |    |    |    |    |    |    |    |    |    |    |    |    |    |    |    |    |    |   |   |   |   |   |   |   |   |   |   |  |  |  |  |   |
|                  |      |        | 24Bit    | 2     | 24 bit.       |    |    |    |    |    |    |    |    |    |    |    |    |    |    |    |    |    |   |   |   |   |   |   |   |   |   |   |  |  |  |  |   |

### 6.11.10.17 CONFIG.ALIGN

Address offset: 0x520

Alignment of sample within a frame.

| Bit number       | 31   | 30    | 29       | 28    | 27                                  | 26 | 25 | 24 | 23 | 22 | 21 | 20 | 19 | 18 | 17 | 16 | 15 | 14 | 13 | 12 | 11 | 10 | 9 | 8 | 7 | 6 | 5 | 4 | 3 | 2 | 1 | 0 |  |  |  |  |   |
|------------------|------|-------|----------|-------|-------------------------------------|----|----|----|----|----|----|----|----|----|----|----|----|----|----|----|----|----|---|---|---|---|---|---|---|---|---|---|--|--|--|--|---|
| ID               |      |       |          |       |                                     |    |    |    |    |    |    |    |    |    |    |    | A  |    |    |    |    |    |   |   |   |   | A |   |   |   |   |   |  |  |  |  |   |
| Reset 0x00000000 | 0    |       |          |       |                                     |    |    |    |    |    |    |    |    |    |    |    | 0  |    |    |    |    |    |   |   |   |   | 0 |   |   |   |   |   |  |  |  |  | 0 |
| ID               | Acce | Field | Value ID | Value | Description                         |    |    |    |    |    |    |    |    |    |    |    |    |    |    |    |    |    |   |   |   |   |   |   |   |   |   |   |  |  |  |  |   |
| A                | RW   | ALIGN |          |       | Alignment of sample within a frame. |    |    |    |    |    |    |    |    |    |    |    |    |    |    |    |    |    |   |   |   |   |   |   |   |   |   |   |  |  |  |  |   |
|                  |      |       | Left     | 0     | Left-aligned.                       |    |    |    |    |    |    |    |    |    |    |    |    |    |    |    |    |    |   |   |   |   |   |   |   |   |   |   |  |  |  |  |   |
|                  |      |       | Right    | 1     | Right-aligned.                      |    |    |    |    |    |    |    |    |    |    |    |    |    |    |    |    |    |   |   |   |   |   |   |   |   |   |   |  |  |  |  |   |

### 6.11.10.18 CONFIG.FORMAT

Address offset: 0x524

Frame format.

| Bit number       | 31   | 30     | 29       | 28    | 27   | 26 | 25 | 24 | 23 | 22 | 21 | 20 | 19 | 18 | 17 | 16 | 15 | 14 | 13 | 12 | 11 | 10 | 9 | 8 | 7 | 6 | 5 | 4 | 3 | 2 | 1 | 0 |  |  |  |  |   |
|------------------|------|--------|----------|-------|--|----|----|----|----|----|----|----|----|----|----|----|----|----|----|----|----|----|---|---|---|---|---|---|---|---|---|---|--|--|--|--|---|
| ID               |      |        |          |       |  |    |    |    |    |    |    |    |    |    |    |    | A  |    |    |    |    |    |   |   |   |   | A |   |   |   |   |   |  |  |  |  |   |
| Reset 0x00000000 | 0    |        |          |       |  |    |    |    |    |    |    |    |    |    |    |    | 0  |    |    |    |    |    |   |   |   |   | 0 |   |   |   |   |   |  |  |  |  | 0 |
| ID               | Acce | Field  | Value ID | Value | Description                                |    |    |    |    |    |    |    |    |    |    |    |    |    |    |    |    |    |   |   |   |   |   |   |   |   |   |   |  |  |  |  |   |
| A                | RW   | FORMAT |          |       | Frame format.                              |    |    |    |    |    |    |    |    |    |    |    |    |    |    |    |    |    |   |   |   |   |   |   |   |   |   |   |  |  |  |  |   |
|                  |      |        | I2S      | 0     | Original I2S format.                       |    |    |    |    |    |    |    |    |    |    |    |    |    |    |    |    |    |   |   |   |   |   |   |   |   |   |   |  |  |  |  |   |
|                  |      |        | Aligned  | 1     | Alternate (left- or right-aligned) format. |    |    |    |    |    |    |    |    |    |    |    |    |    |    |    |    |    |   |   |   |   |   |   |   |   |   |   |  |  |  |  |   |

### 6.11.10.19 CONFIG.CHANNELS

Address offset: 0x528

Enable channels.

| Bit number              | 31 30 29 28 27 26 25 24 23 22 21 20 19 18 17 16 15 14 13 12 11 10 9 8 7 6 5 4 3 2 1 0 |          |       |                  |  |  |  |  |  |  |  |  |  |  |  |  |  |  |  |  |  |  |  |  |  |  |  |  |  |  |   |   |
|-------------------------|---|----------|-------|------------------|--|--|--|--|--|--|--|--|--|--|--|--|--|--|--|--|--|--|--|--|--|--|--|--|--|--|---|---|
| ID                      |   |          |       |                  |  |  |  |  |  |  |  |  |  |  |  |  |  |  |  |  |  |  |  |  |  |  |  |  |  |  | A | A |
| <b>Reset 0x00000000</b> | 0             |          |       |                  |  |  |  |  |  |  |  |  |  |  |  |  |  |  |  |  |  |  |  |  |  |  |  |  |  |  |   |   |
| ID                      | Acce Field  | Value ID | Value | Description      |  |  |  |  |  |  |  |  |  |  |  |  |  |  |  |  |  |  |  |  |  |  |  |  |  |  |   |   |
| A                       | RW CHANNELS   |          |       | Enable channels. |  |  |  |  |  |  |  |  |  |  |  |  |  |  |  |  |  |  |  |  |  |  |  |  |  |  |   |   |
|                         |   | Stereo   | 0     | Stereo.          |  |  |  |  |  |  |  |  |  |  |  |  |  |  |  |  |  |  |  |  |  |  |  |  |  |  |   |   |
|                         |   | Left     | 1     | Left only.       |  |  |  |  |  |  |  |  |  |  |  |  |  |  |  |  |  |  |  |  |  |  |  |  |  |  |   |   |
|                         |   | Right    | 2     | Right only.      |  |  |  |  |  |  |  |  |  |  |  |  |  |  |  |  |  |  |  |  |  |  |  |  |  |  |   |   |

### 6.11.10.20 RXD.PTR

Address offset: 0x538

Receive buffer RAM start address.

| Bit number              | 31 30 29 28 27 26 25 24 23 22 21 20 19 18 17 16 15 14 13 12 11 10 9 8 7 6 5 4 3 2 1 0 |          |       |  |  |  |  |  |  |  |  |  |  |  |  |  |  |  |  |  |  |  |  |  |  |  |  |  |  |  |   |   |
|-------------------------|---|----------|-------|--|--|--|--|--|--|--|--|--|--|--|--|--|--|--|--|--|--|--|--|--|--|--|--|--|--|--|---|---|
| ID                      | A   |          |       |  |  |  |  |  |  |  |  |  |  |  |  |  |  |  |  |  |  |  |  |  |  |  |  |  |  |  | A | A |
| <b>Reset 0x00000000</b> | 0             |          |       |  |  |  |  |  |  |  |  |  |  |  |  |  |  |  |  |  |  |  |  |  |  |  |  |  |  |  |   |   |
| ID                      | Acce Field  | Value ID | Value | Description  |  |  |  |  |  |  |  |  |  |  |  |  |  |  |  |  |  |  |  |  |  |  |  |  |  |  |   |   |
| A                       | RW PTR  |          |       | Receive buffer Data RAM start address. When receiving, words containing samples will be written to this address.<br>This address is a word aligned Data RAM address. |  |  |  |  |  |  |  |  |  |  |  |  |  |  |  |  |  |  |  |  |  |  |  |  |  |  |   |   |

### 6.11.10.21 TXD.PTR

Address offset: 0x540

Transmit buffer RAM start address.

| Bit number              | 31 30 29 28 27 26 25 24 23 22 21 20 19 18 17 16 15 14 13 12 11 10 9 8 7 6 5 4 3 2 1 0 |          |       |  |  |  |  |  |  |  |  |  |  |  |  |  |  |  |  |  |  |  |  |  |  |  |  |  |  |  |   |   |
|-------------------------|---|----------|-------|--|--|--|--|--|--|--|--|--|--|--|--|--|--|--|--|--|--|--|--|--|--|--|--|--|--|--|---|---|
| ID                      | A   |          |       |  |  |  |  |  |  |  |  |  |  |  |  |  |  |  |  |  |  |  |  |  |  |  |  |  |  |  | A | A |
| <b>Reset 0x00000000</b> | 0             |          |       |  |  |  |  |  |  |  |  |  |  |  |  |  |  |  |  |  |  |  |  |  |  |  |  |  |  |  |   |   |
| ID                      | Acce Field  | Value ID | Value | Description  |  |  |  |  |  |  |  |  |  |  |  |  |  |  |  |  |  |  |  |  |  |  |  |  |  |  |   |   |
| A                       | RW PTR  |          |       | Transmit buffer Data RAM start address. When transmitting, words containing samples will be fetched from this address.<br>This address is a word aligned Data RAM address. |  |  |  |  |  |  |  |  |  |  |  |  |  |  |  |  |  |  |  |  |  |  |  |  |  |  |   |   |

### 6.11.10.22 RXTXD.MAXCNT

Address offset: 0x550

Size of RXD and TXD buffers.

| Bit number              | 31 30 29 28 27 26 25 24 23 22 21 20 19 18 17 16 15 14 13 12 11 10 9 8 7 6 5 4 3 2 1 0 |          |       |  |  |  |  |  |  |  |  |  |  |  |  |  |  |  |  |  |  |  |  |  |  |  |  |  |   |   |   |   |   |   |   |   |   |   |   |   |   |   |   |   |   |   |   |   |   |   |   |   |   |   |   |   |   |
|-------------------------|---|----------|-------|--|--|--|--|--|--|--|--|--|--|--|--|--|--|--|--|--|--|--|--|--|--|--|--|--|---|---|---|---|---|---|---|---|---|---|---|---|---|---|---|---|---|---|---|---|---|---|---|---|---|---|---|---|---|
| ID                      |   |          |       |  |  |  |  |  |  |  |  |  |  |  |  |  |  |  |  |  |  |  |  |  |  |  |  |  | A | A | A | A | A | A | A | A | A | A | A | A | A | A | A | A | A | A | A | A | A | A | A | A | A | A | A | A | A |
| <b>Reset 0x00000000</b> | 0             |          |       |  |  |  |  |  |  |  |  |  |  |  |  |  |  |  |  |  |  |  |  |  |  |  |  |  |   |   |   |   |   |   |   |   |   |   |   |   |   |   |   |   |   |   |   |   |   |   |   |   |   |   |   |   |   |
| ID                      | Acce Field  | Value ID | Value | Description  |  |  |  |  |  |  |  |  |  |  |  |  |  |  |  |  |  |  |  |  |  |  |  |  |   |   |   |   |   |   |   |   |   |   |   |   |   |   |   |   |   |   |   |   |   |   |   |   |   |   |   |   |   |
| A                       | RW MAXCNT   |          |       | Size of RXD and TXD buffers in number of 32 bit words. |  |  |  |  |  |  |  |  |  |  |  |  |  |  |  |  |  |  |  |  |  |  |  |  |   |   |   |   |   |   |   |   |   |   |   |   |   |   |   |   |   |   |   |   |   |   |   |   |   |   |   |   |   |

### 6.11.10.23 PSEL.MCK

Address offset: 0x560

Pin select for MCK signal.

| Bit number       | 31 30 29 28 27 26 25 24 23 22 21 20 19 18 17 16 15 14 13 12 11 10 9 8 7 6 5 4 3 2 1 0 |              |         |             |  |  |  |  |  |  |  |  |  |  |  |  |  |  |  |  |  |  |  |  |  |  |  |  |  |  |   |   |   |   |   |
|------------------|---|--------------|---------|-------------|--|--|--|--|--|--|--|--|--|--|--|--|--|--|--|--|--|--|--|--|--|--|--|--|--|--|---|---|---|---|---|
| ID               | C   |              |         |             |  |  |  |  |  |  |  |  |  |  |  |  |  |  |  |  |  |  |  |  |  |  |  |  |  |  | B | A | A | A | A |
| Reset 0xFFFFFFFF | 1                       |              |         |             |  |  |  |  |  |  |  |  |  |  |  |  |  |  |  |  |  |  |  |  |  |  |  |  |  |  |   |   |   |   |   |
| ID               | Acce Field  | Value ID     | Value   | Description |  |  |  |  |  |  |  |  |  |  |  |  |  |  |  |  |  |  |  |  |  |  |  |  |  |  |   |   |   |   |   |
| A                | RW PIN  |              | [0..31] | Pin number  |  |  |  |  |  |  |  |  |  |  |  |  |  |  |  |  |  |  |  |  |  |  |  |  |  |  |   |   |   |   |   |
| B                | RW PORT   |              | [0..1]  | Port number |  |  |  |  |  |  |  |  |  |  |  |  |  |  |  |  |  |  |  |  |  |  |  |  |  |  |   |   |   |   |   |
| C                | RW CONNECT  |              |         | Connection  |  |  |  |  |  |  |  |  |  |  |  |  |  |  |  |  |  |  |  |  |  |  |  |  |  |  |   |   |   |   |   |
|                  |   | Disconnected | 1       | Disconnect  |  |  |  |  |  |  |  |  |  |  |  |  |  |  |  |  |  |  |  |  |  |  |  |  |  |  |   |   |   |   |   |
|                  |   | Connected    | 0       | Connect     |  |  |  |  |  |  |  |  |  |  |  |  |  |  |  |  |  |  |  |  |  |  |  |  |  |  |   |   |   |   |   |

#### 6.11.10.24 PSEL.SCK

Address offset: 0x564

Pin select for SCK signal.

| Bit number       | 31 30 29 28 27 26 25 24 23 22 21 20 19 18 17 16 15 14 13 12 11 10 9 8 7 6 5 4 3 2 1 0 |              |         |             |  |  |  |  |  |  |  |  |  |  |  |  |  |  |  |  |  |  |  |  |  |  |  |  |  |  |   |   |   |   |   |
|------------------|---|--------------|---------|-------------|--|--|--|--|--|--|--|--|--|--|--|--|--|--|--|--|--|--|--|--|--|--|--|--|--|--|---|---|---|---|---|
| ID               | C   |              |         |             |  |  |  |  |  |  |  |  |  |  |  |  |  |  |  |  |  |  |  |  |  |  |  |  |  |  | B | A | A | A | A |
| Reset 0xFFFFFFFF | 1                       |              |         |             |  |  |  |  |  |  |  |  |  |  |  |  |  |  |  |  |  |  |  |  |  |  |  |  |  |  |   |   |   |   |   |
| ID               | Acce Field  | Value ID     | Value   | Description |  |  |  |  |  |  |  |  |  |  |  |  |  |  |  |  |  |  |  |  |  |  |  |  |  |  |   |   |   |   |   |
| A                | RW PIN  |              | [0..31] | Pin number  |  |  |  |  |  |  |  |  |  |  |  |  |  |  |  |  |  |  |  |  |  |  |  |  |  |  |   |   |   |   |   |
| B                | RW PORT   |              | [0..1]  | Port number |  |  |  |  |  |  |  |  |  |  |  |  |  |  |  |  |  |  |  |  |  |  |  |  |  |  |   |   |   |   |   |
| C                | RW CONNECT  |              |         | Connection  |  |  |  |  |  |  |  |  |  |  |  |  |  |  |  |  |  |  |  |  |  |  |  |  |  |  |   |   |   |   |   |
|                  |   | Disconnected | 1       | Disconnect  |  |  |  |  |  |  |  |  |  |  |  |  |  |  |  |  |  |  |  |  |  |  |  |  |  |  |   |   |   |   |   |
|                  |   | Connected    | 0       | Connect     |  |  |  |  |  |  |  |  |  |  |  |  |  |  |  |  |  |  |  |  |  |  |  |  |  |  |   |   |   |   |   |

#### 6.11.10.25 PSEL.LRCK

Address offset: 0x568

Pin select for LRCK signal.

| Bit number       | 31 30 29 28 27 26 25 24 23 22 21 20 19 18 17 16 15 14 13 12 11 10 9 8 7 6 5 4 3 2 1 0 |              |         |             |  |  |  |  |  |  |  |  |  |  |  |  |  |  |  |  |  |  |  |  |  |  |  |  |  |  |   |   |   |   |   |
|------------------|---|--------------|---------|-------------|--|--|--|--|--|--|--|--|--|--|--|--|--|--|--|--|--|--|--|--|--|--|--|--|--|--|---|---|---|---|---|
| ID               | C   |              |         |             |  |  |  |  |  |  |  |  |  |  |  |  |  |  |  |  |  |  |  |  |  |  |  |  |  |  | B | A | A | A | A |
| Reset 0xFFFFFFFF | 1                       |              |         |             |  |  |  |  |  |  |  |  |  |  |  |  |  |  |  |  |  |  |  |  |  |  |  |  |  |  |   |   |   |   |   |
| ID               | Acce Field  | Value ID     | Value   | Description |  |  |  |  |  |  |  |  |  |  |  |  |  |  |  |  |  |  |  |  |  |  |  |  |  |  |   |   |   |   |   |
| A                | RW PIN  |              | [0..31] | Pin number  |  |  |  |  |  |  |  |  |  |  |  |  |  |  |  |  |  |  |  |  |  |  |  |  |  |  |   |   |   |   |   |
| B                | RW PORT   |              | [0..1]  | Port number |  |  |  |  |  |  |  |  |  |  |  |  |  |  |  |  |  |  |  |  |  |  |  |  |  |  |   |   |   |   |   |
| C                | RW CONNECT  |              |         | Connection  |  |  |  |  |  |  |  |  |  |  |  |  |  |  |  |  |  |  |  |  |  |  |  |  |  |  |   |   |   |   |   |
|                  |   | Disconnected | 1       | Disconnect  |  |  |  |  |  |  |  |  |  |  |  |  |  |  |  |  |  |  |  |  |  |  |  |  |  |  |   |   |   |   |   |
|                  |   | Connected    | 0       | Connect     |  |  |  |  |  |  |  |  |  |  |  |  |  |  |  |  |  |  |  |  |  |  |  |  |  |  |   |   |   |   |   |

#### 6.11.10.26 PSEL.SDIN

Address offset: 0x56C

Pin select for SDIN signal.

| Bit number       | 31  | 30      | 29           | 28      | 27          | 26 | 25 | 24 | 23 | 22 | 21 | 20 | 19 | 18 | 17 | 16 | 15 | 14 | 13 | 12 | 11 | 10 | 9 | 8 | 7 | 6 | 5 | 4 | 3 | 2 | 1 | 0 |
|------------------|---|---------|--------------|---------|-------------|----|----|----|----|----|----|----|----|----|----|----|----|----|----|----|----|----|---|---|---|---|---|---|---|---|---|---|
| ID               | C   |         |              |         |             |    |    |    |    |    |    |    |    |    |    |    |    |    |    |    |    |    |   |   |   |   |   |   |   |   |   |   |
| Reset 0xFFFFFFFF | 1 |         |              |         |             |    |    |    |    |    |    |    |    |    |    |    |    |    |    |    |    |    |   |   |   |   |   |   |   |   |   |   |
| ID               | Acce  | Field   | Value ID     | Value   | Description |    |    |    |    |    |    |    |    |    |    |    |    |    |    |    |    |    |   |   |   |   |   |   |   |   |   |   |
| A                | RW  | PIN     |              | [0..31] | Pin number  |    |    |    |    |    |    |    |    |    |    |    |    |    |    |    |    |    |   |   |   |   |   |   |   |   |   |   |
| B                | RW  | PORT    |              | [0..1]  | Port number |    |    |    |    |    |    |    |    |    |    |    |    |    |    |    |    |    |   |   |   |   |   |   |   |   |   |   |
| C                | RW  | CONNECT |              |         | Connection  |    |    |    |    |    |    |    |    |    |    |    |    |    |    |    |    |    |   |   |   |   |   |   |   |   |   |   |
|                  |   |         | Disconnected | 1       | Disconnect  |    |    |    |    |    |    |    |    |    |    |    |    |    |    |    |    |    |   |   |   |   |   |   |   |   |   |   |
|                  |   |         | Connected    | 0       | Connect     |    |    |    |    |    |    |    |    |    |    |    |    |    |    |    |    |    |   |   |   |   |   |   |   |   |   |   |

### 6.11.10.27 PSEL.SDOUT

Address offset: 0x570

Pin select for SDOUT signal.

| Bit number       | 31  | 30      | 29           | 28      | 27          | 26 | 25 | 24 | 23 | 22 | 21 | 20 | 19 | 18 | 17 | 16 | 15 | 14 | 13 | 12 | 11 | 10 | 9 | 8 | 7 | 6 | 5 | 4 | 3 | 2 | 1 | 0 |
|------------------|---|---------|--------------|---------|-------------|----|----|----|----|----|----|----|----|----|----|----|----|----|----|----|----|----|---|---|---|---|---|---|---|---|---|---|
| ID               | C   |         |              |         |             |    |    |    |    |    |    |    |    |    |    |    |    |    |    |    |    |    |   |   |   |   |   |   |   |   |   |   |
| Reset 0xFFFFFFFF | 1 |         |              |         |             |    |    |    |    |    |    |    |    |    |    |    |    |    |    |    |    |    |   |   |   |   |   |   |   |   |   |   |
| ID               | Acce  | Field   | Value ID     | Value   | Description |    |    |    |    |    |    |    |    |    |    |    |    |    |    |    |    |    |   |   |   |   |   |   |   |   |   |   |
| A                | RW  | PIN     |              | [0..31] | Pin number  |    |    |    |    |    |    |    |    |    |    |    |    |    |    |    |    |    |   |   |   |   |   |   |   |   |   |   |
| B                | RW  | PORT    |              | [0..1]  | Port number |    |    |    |    |    |    |    |    |    |    |    |    |    |    |    |    |    |   |   |   |   |   |   |   |   |   |   |
| C                | RW  | CONNECT |              |         | Connection  |    |    |    |    |    |    |    |    |    |    |    |    |    |    |    |    |    |   |   |   |   |   |   |   |   |   |   |
|                  |   |         | Disconnected | 1       | Disconnect  |    |    |    |    |    |    |    |    |    |    |    |    |    |    |    |    |    |   |   |   |   |   |   |   |   |   |   |
|                  |   |         | Connected    | 0       | Connect     |    |    |    |    |    |    |    |    |    |    |    |    |    |    |    |    |    |   |   |   |   |   |   |   |   |   |   |

## 6.11.11 Electrical specification

### 6.11.11.1 I2S timing specification

| Symbol           | Description                        | Min. | Typ. | Max. | Units |
|------------------|------------------------------------|------|------|------|-------|
| $t_{s\_SDIN}$    | SDIN setup time before SCK rising  | 20   |      |      | ns    |
| $t_{H\_SDIN}$    | SDIN hold time after SCK rising    | 15   |      |      | ns    |
| $t_{s\_SDOUT}$   | SDOUT setup time after SCK falling | 40   |      |      | ns    |
| $t_{H\_SDOUT}$   | SDOUT hold time before SCK falling | 6    |      |      | ns    |
| $t_{SCK\_LRCK}$  | SCLK falling to LRCK edge          | -5   | 0    | 5    | ns    |
| $f_{MCK}$        | MCK frequency                      |      |      | 4000 | kHz   |
| $f_{LRCK}$       | LRCK frequency                     |      |      | 48   | kHz   |
| $f_{SCK}$        | SCK frequency                      |      |      | 2000 | kHz   |
| DC <sub>CK</sub> | Clock duty cycle (MCK, LRCK, SCK)  | 45   |      | 55   | %     |

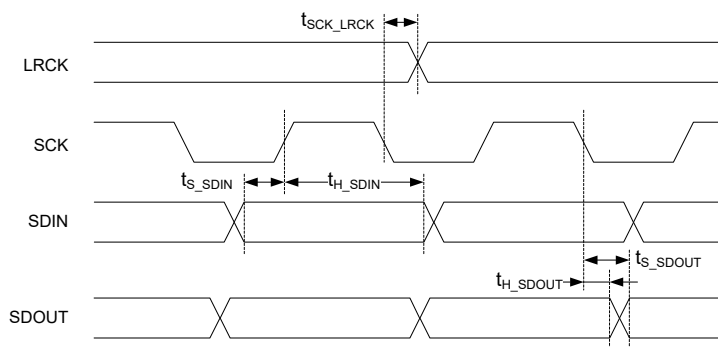


Figure 58: I2S timing diagram

## 6.12 LPCOMP — Low-power comparator

Low-power comparator (LPCOMP) compares an input voltage against a reference voltage.

Listed here are the main features of LPCOMP:

- 0 - VDD input range
- Ultra-low power
- Eight input options (**AIN0** to **AIN7**)
- Reference voltage options:
  - Two external analog reference inputs, or
  - 15-level internal reference ladder ( $VDD/16$ )
- Optional hysteresis enable on input
- Can be used as a wakeup source from System OFF mode

In System ON, the LPCOMP can generate separate events on rising and falling edges of a signal, or sample the current state of the pin as being above or below the selected reference. The block can be configured to use any of the analog inputs on the device. Additionally, the low-power comparator can be used as an analog wakeup source from System OFF or System ON. The comparator threshold can be programmed to a range of fractions of the supply voltage.

**Note:** LPCOMP cannot be used (STARTed) at the same time as COMP. Only one comparator can be used at a time.

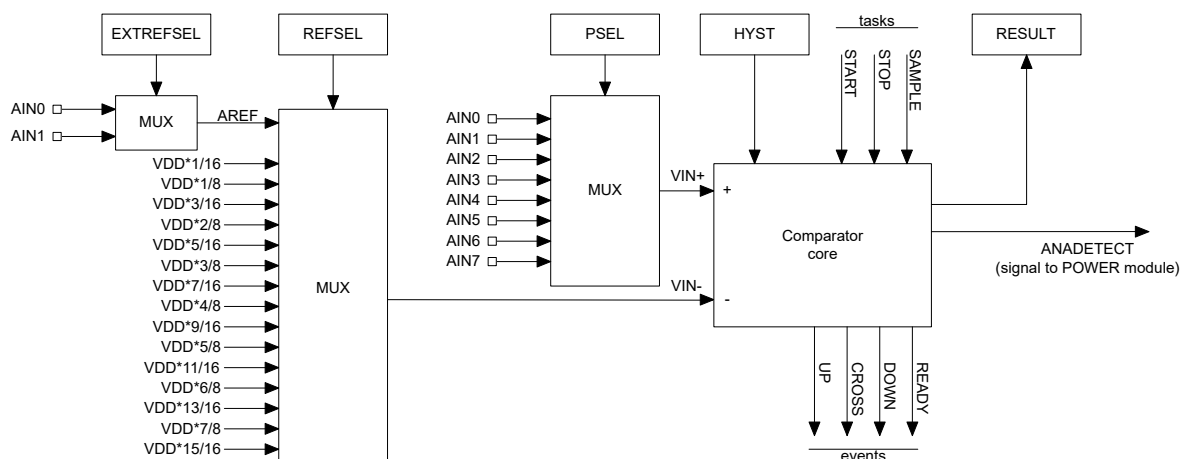


Figure 59: Low-power comparator

The wakeup comparator (LPCOMP) compares an input voltage ( $VIN+$ ), which comes from an analog input pin selected via the **PSEL** register, against a reference voltage ( $VIN-$ ) selected via registers **REFSEL** on page 191 and **EXTREFSEL**.

The **PSEL**, **REFSEL**, and **EXTREFSEL** registers must be configured before the LPCOMP is enabled through the **ENABLE** register.

The **HYST** register allows enabling an optional hysteresis in the comparator core. This hysteresis shall prevent noise on the signal to create unwanted events. Figure below illustrates the effect of an active hysteresis on a noisy input signal. It is disabled by default, and shall be configured before enabling LPCOMP as well.

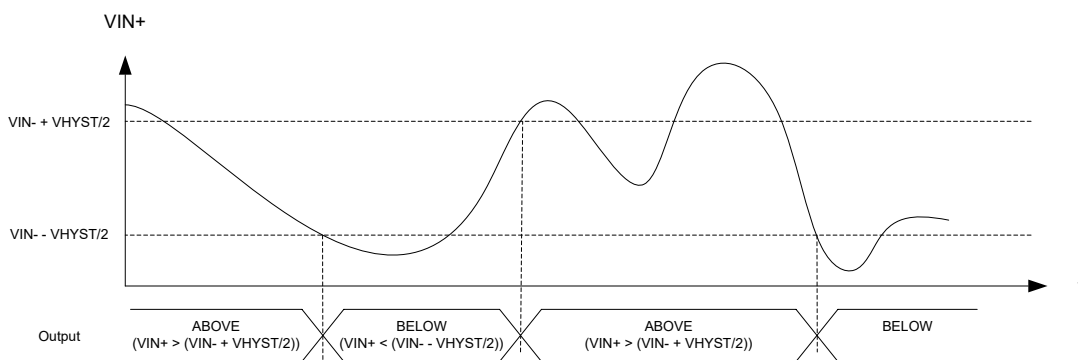


Figure 60: Effect of hysteresis on a noisy input signal

The LPCOMP is started by triggering the START task. After a startup time of  $t_{LPCOMP,STARTUP}$ , the LPCOMP will generate a READY event to indicate that the comparator is ready to use and the output of the LPCOMP is correct. The LPCOMP will generate events every time  $V_{IN+}$  crosses  $V_{IN-}$ . More specifically, every time  $V_{IN+}$  rises above  $V_{IN-}$  (upward crossing) an UP event is generated along with a CROSS event. Every time  $V_{IN+}$  falls below  $V_{IN-}$  (downward crossing), a DOWN event is generated along with a CROSS event. When hysteresis is enabled, the upward crossing level becomes  $(V_{IN-} + V_{HYST}/2)$ , and the downward crossing level becomes  $(V_{IN-} - V_{HYST}/2)$ .

The LPCOMP is stopped by triggering the STOP task.

LPCOMP will be operational in both System ON and System OFF mode when it is enabled through the ENABLE register. See [POWER — Power supply](#) on page 64 for more information about power modes. Note that it is not allowed to go to System OFF when a READY event is pending to be generated.

All LPCOMP registers, including [ENABLE](#), are classified as retained registers when the LPCOMP is enabled. However, when the device wakes up from System OFF, all LPCOMP registers will be reset.

The LPCOMP can wake up the system from System OFF by asserting the ANADETECT signal. The ANADETECT signal can be derived from any of the event sources that generate the UP, DOWN and CROSS events. In case of wakeup from System OFF, no events will be generated, only the ANADETECT signal. See the ANADETECT register ([ANADETECT](#) on page 192) for more information on how to configure the ANADETECT signal.

The immediate value of the LPCOMP can be sampled to [RESULT](#) on page 190 by triggering the SAMPLE task.

See [RESETREAS](#) on page 78 for more information on how to detect a wakeup from LPCOMP.

### 6.12.1 Shared resources

The LPCOMP shares analog resources with SAADC. While it is possible to use the SAADC at the same time as the LPCOMP, selecting the same analog input pin for both modules is not supported.

Additionally, LPCOMP shares registers and other resources with other peripherals that have the same ID as the LPCOMP. See [Peripherals with shared ID](#) on page 103 for more information.

The LPCOMP peripheral shall not be disabled (by writing to the ENABLE register) before the peripheral has been stopped. Failing to do so may result in unpredictable behavior.

### 6.12.2 Pin configuration

You can use the LPCOMP.PSEL register to select one of the analog input pins, **AIN0** through **AIN7**, as the analog input pin for the LPCOMP.

See [GPIO — General purpose input/output](#) on page 151 for more information about the pins. Similarly, you can use [EXTRESEL](#) on page 192 to select one of the analog reference input pins, **AIN0** and **AIN1**,

as input for AREF in case AREF is selected in [EXTREFSEL](#) on page 192. The selected analog pins will be acquired by the LPCOMP when it is enabled through [ENABLE](#) on page 191.

### 6.12.3 Registers

| Base address | Peripheral | Instance | Description          | Configuration |
|--------------|------------|----------|----------------------|---------------|
| 0x40013000   | LPCOMP     | LPCOMP   | Low power comparator |               |

Table 59: Instances

| Register     | Offset | Description                              |
|--------------|--------|--|
| TASKS_START  | 0x000  | Start comparator                         |
| TASKS_STOP   | 0x004  | Stop comparator                          |
| TASKS_SAMPLE | 0x008  | Sample comparator value                  |
| EVENTS_READY | 0x100  | LPCOMP is ready and output is valid      |
| EVENTS_DOWN  | 0x104  | Downward crossing                        |
| EVENTS_UP    | 0x108  | Upward crossing                          |
| EVENTS_CROSS | 0x10C  | Downward or upward crossing              |
| SHORTS       | 0x200  | Shortcuts between local events and tasks |
| INTENSET     | 0x304  | Enable interrupt                         |
| INTENCLR     | 0x308  | Disable interrupt                        |
| RESULT       | 0x400  | Compare result                           |
| ENABLE       | 0x500  | Enable LPCOMP                            |
| PSEL         | 0x504  | Input pin select                         |
| REFSEL       | 0x508  | Reference select                         |
| EXTREFSEL    | 0x50C  | External reference select                |
| ANADETECT    | 0x520  | Analog detect configuration              |
| HYST         | 0x538  | Comparator hysteresis enable             |

Table 60: Register overview

#### 6.12.3.1 TASKS\_START

Address offset: 0x000

Start comparator

| Bit number       | 31 30 29 28 27 26 25 24 23 22 21 20 19 18 17 16 15 14 13 12 11 10 9 8 7 6 5 4 3 2 1 0 |             |          |       |                  |  |  |  |  |  |  |  |  |  |  |  |  |  |  |  |  |  |  |  |  |  |  |  |  |  |  |
|------------------|---|-------------|----------|-------|------------------|--|--|--|--|--|--|--|--|--|--|--|--|--|--|--|--|--|--|--|--|--|--|--|--|--|--|
| ID               | A   |             |          |       |                  |  |  |  |  |  |  |  |  |  |  |  |  |  |  |  |  |  |  |  |  |  |  |  |  |  |  |
| Reset 0x00000000 | 0             |             |          |       |                  |  |  |  |  |  |  |  |  |  |  |  |  |  |  |  |  |  |  |  |  |  |  |  |  |  |  |
| ID               | Acce  | Field       | Value ID | Value | Description      |  |  |  |  |  |  |  |  |  |  |  |  |  |  |  |  |  |  |  |  |  |  |  |  |  |  |
| A                | W   | TASKS_START |          |       | Start comparator |  |  |  |  |  |  |  |  |  |  |  |  |  |  |  |  |  |  |  |  |  |  |  |  |  |  |
|                  |   |             | Trigger  | 1     | Trigger task     |  |  |  |  |  |  |  |  |  |  |  |  |  |  |  |  |  |  |  |  |  |  |  |  |  |  |

#### 6.12.3.2 TASKS\_STOP

Address offset: 0x004

Stop comparator

| Bit number       | 31  | 30       | 29    | 28              | 27 | 26 | 25 | 24 | 23 | 22 | 21 | 20 | 19 | 18 | 17 | 16 | 15 | 14 | 13 | 12 | 11 | 10 | 9 | 8 | 7 | 6 | 5 | 4 | 3 | 2 | 1 | 0 |
|------------------|---|----------|-------|-----------------|----|----|----|----|----|----|----|----|----|----|----|----|----|----|----|----|----|----|---|---|---|---|---|---|---|---|---|---|
| ID               |   |          |       |                 |    |    |    |    |    |    |    |    |    |    |    |    |    |    |    |    |    |    |   |   |   |   |   |   |   |   |   | A |
| Reset 0x00000000 | 0 |          |       |                 |    |    |    |    |    |    |    |    |    |    |    |    |    |    |    |    |    |    |   |   |   |   |   |   |   |   |   |   |
| ID               | Acce Field  | Value ID | Value | Description     |    |    |    |    |    |    |    |    |    |    |    |    |    |    |    |    |    |    |   |   |   |   |   |   |   |   |   |   |
| A                | W TASKS_STOP  |          |       | Stop comparator |    |    |    |    |    |    |    |    |    |    |    |    |    |    |    |    |    |    |   |   |   |   |   |   |   |   |   |   |
|                  |   | Trigger  | 1     | Trigger task    |    |    |    |    |    |    |    |    |    |    |    |    |    |    |    |    |    |    |   |   |   |   |   |   |   |   |   |   |

### 6.12.3.3 TASKS\_SAMPLE

Address offset: 0x008

Sample comparator value

| Bit number       | 31  | 30       | 29    | 28                      | 27 | 26 | 25 | 24 | 23 | 22 | 21 | 20 | 19 | 18 | 17 | 16 | 15 | 14 | 13 | 12 | 11 | 10 | 9 | 8 | 7 | 6 | 5 | 4 | 3 | 2 | 1 | 0 |
|------------------|---|----------|-------|-------------------------|----|----|----|----|----|----|----|----|----|----|----|----|----|----|----|----|----|----|---|---|---|---|---|---|---|---|---|---|
| ID               |   |          |       |                         |    |    |    |    |    |    |    |    |    |    |    |    |    |    |    |    |    |    |   |   |   |   |   |   |   |   |   | A |
| Reset 0x00000000 | 0 |          |       |                         |    |    |    |    |    |    |    |    |    |    |    |    |    |    |    |    |    |    |   |   |   |   |   |   |   |   |   |   |
| ID               | Acce Field  | Value ID | Value | Description             |    |    |    |    |    |    |    |    |    |    |    |    |    |    |    |    |    |    |   |   |   |   |   |   |   |   |   |   |
| A                | W TASKS_SAMPLE  |          |       | Sample comparator value |    |    |    |    |    |    |    |    |    |    |    |    |    |    |    |    |    |    |   |   |   |   |   |   |   |   |   |   |
|                  |   | Trigger  | 1     | Trigger task            |    |    |    |    |    |    |    |    |    |    |    |    |    |    |    |    |    |    |   |   |   |   |   |   |   |   |   |   |

### 6.12.3.4 EVENTS\_READY

Address offset: 0x100

LPCOMP is ready and output is valid

| Bit number       | 31  | 30           | 29    | 28                                  | 27 | 26 | 25 | 24 | 23 | 22 | 21 | 20 | 19 | 18 | 17 | 16 | 15 | 14 | 13 | 12 | 11 | 10 | 9 | 8 | 7 | 6 | 5 | 4 | 3 | 2 | 1 | 0 |
|------------------|---|--------------|-------|-------------------------------------|----|----|----|----|----|----|----|----|----|----|----|----|----|----|----|----|----|----|---|---|---|---|---|---|---|---|---|---|
| ID               |   |              |       |                                     |    |    |    |    |    |    |    |    |    |    |    |    |    |    |    |    |    |    |   |   |   |   |   |   |   |   |   | A |
| Reset 0x00000000 | 0 |              |       |                                     |    |    |    |    |    |    |    |    |    |    |    |    |    |    |    |    |    |    |   |   |   |   |   |   |   |   |   |   |
| ID               | Acce Field  | Value ID     | Value | Description                         |    |    |    |    |    |    |    |    |    |    |    |    |    |    |    |    |    |    |   |   |   |   |   |   |   |   |   |   |
| A                | RW EVENTS_READY   |              |       | LPCOMP is ready and output is valid |    |    |    |    |    |    |    |    |    |    |    |    |    |    |    |    |    |    |   |   |   |   |   |   |   |   |   |   |
|                  |   | NotGenerated | 0     | Event not generated                 |    |    |    |    |    |    |    |    |    |    |    |    |    |    |    |    |    |    |   |   |   |   |   |   |   |   |   |   |
|                  |   | Generated    | 1     | Event generated                     |    |    |    |    |    |    |    |    |    |    |    |    |    |    |    |    |    |    |   |   |   |   |   |   |   |   |   |   |

### 6.12.3.5 EVENTS\_DOWN

Address offset: 0x104

Downward crossing

| Bit number       | 31  | 30           | 29    | 28                  | 27 | 26 | 25 | 24 | 23 | 22 | 21 | 20 | 19 | 18 | 17 | 16 | 15 | 14 | 13 | 12 | 11 | 10 | 9 | 8 | 7 | 6 | 5 | 4 | 3 | 2 | 1 | 0 |
|------------------|---|--------------|-------|---------------------|----|----|----|----|----|----|----|----|----|----|----|----|----|----|----|----|----|----|---|---|---|---|---|---|---|---|---|---|
| ID               |   |              |       |                     |    |    |    |    |    |    |    |    |    |    |    |    |    |    |    |    |    |    |   |   |   |   |   |   |   |   |   | A |
| Reset 0x00000000 | 0 |              |       |                     |    |    |    |    |    |    |    |    |    |    |    |    |    |    |    |    |    |    |   |   |   |   |   |   |   |   |   |   |
| ID               | Acce Field  | Value ID     | Value | Description         |    |    |    |    |    |    |    |    |    |    |    |    |    |    |    |    |    |    |   |   |   |   |   |   |   |   |   |   |
| A                | RW EVENTS_DOWN  |              |       | Downward crossing   |    |    |    |    |    |    |    |    |    |    |    |    |    |    |    |    |    |    |   |   |   |   |   |   |   |   |   |   |
|                  |   | NotGenerated | 0     | Event not generated |    |    |    |    |    |    |    |    |    |    |    |    |    |    |    |    |    |    |   |   |   |   |   |   |   |   |   |   |
|                  |   | Generated    | 1     | Event generated     |    |    |    |    |    |    |    |    |    |    |    |    |    |    |    |    |    |    |   |   |   |   |   |   |   |   |   |   |

### 6.12.3.6 EVENTS\_UP

Address offset: 0x108

Upward crossing



| Bit number       | 31  | 30           | 29    | 28                  | 27 | 26 | 25 | 24 | 23 | 22 | 21 | 20 | 19 | 18 | 17 | 16 | 15 | 14 | 13 | 12 | 11 | 10 | 9 | 8 | 7 | 6 | 5 | 4 | 3 | 2 | 1 | 0 |
|------------------|---|--------------|-------|---------------------|----|----|----|----|----|----|----|----|----|----|----|----|----|----|----|----|----|----|---|---|---|---|---|---|---|---|---|---|
| ID               |   |              |       |                     |    |    |    |    |    |    |    |    |    |    |    |    |    |    |    |    |    |    |   |   |   |   |   |   |   |   |   | A |
| Reset 0x00000000 | 0 |              |       |                     |    |    |    |    |    |    |    |    |    |    |    |    |    |    |    |    |    |    |   |   |   |   |   |   |   |   |   |   |
| ID               | Acce Field  | Value ID     | Value | Description         |    |    |    |    |    |    |    |    |    |    |    |    |    |    |    |    |    |    |   |   |   |   |   |   |   |   |   |   |
| A                | RW EVENTS_UP  |              |       | Upward crossing     |    |    |    |    |    |    |    |    |    |    |    |    |    |    |    |    |    |    |   |   |   |   |   |   |   |   |   |   |
|                  |   | NotGenerated | 0     | Event not generated |    |    |    |    |    |    |    |    |    |    |    |    |    |    |    |    |    |    |   |   |   |   |   |   |   |   |   |   |
|                  |   | Generated    | 1     | Event generated     |    |    |    |    |    |    |    |    |    |    |    |    |    |    |    |    |    |    |   |   |   |   |   |   |   |   |   |   |

### 6.12.3.7 EVENTS\_CROSS

Address offset: 0x10C

Downward or upward crossing

| Bit number       | 31  | 30           | 29    | 28                          | 27 | 26 | 25 | 24 | 23 | 22 | 21 | 20 | 19 | 18 | 17 | 16 | 15 | 14 | 13 | 12 | 11 | 10 | 9 | 8 | 7 | 6 | 5 | 4 | 3 | 2 | 1 | 0 |
|------------------|---|--------------|-------|-----------------------------|----|----|----|----|----|----|----|----|----|----|----|----|----|----|----|----|----|----|---|---|---|---|---|---|---|---|---|---|
| ID               |   |              |       |                             |    |    |    |    |    |    |    |    |    |    |    |    |    |    |    |    |    |    |   |   |   |   |   |   |   |   |   | A |
| Reset 0x00000000 | 0 |              |       |                             |    |    |    |    |    |    |    |    |    |    |    |    |    |    |    |    |    |    |   |   |   |   |   |   |   |   |   |   |
| ID               | Acce Field  | Value ID     | Value | Description                 |    |    |    |    |    |    |    |    |    |    |    |    |    |    |    |    |    |    |   |   |   |   |   |   |   |   |   |   |
| A                | RW EVENTS_CROSS   |              |       | Downward or upward crossing |    |    |    |    |    |    |    |    |    |    |    |    |    |    |    |    |    |    |   |   |   |   |   |   |   |   |   |   |
|                  |   | NotGenerated | 0     | Event not generated         |    |    |    |    |    |    |    |    |    |    |    |    |    |    |    |    |    |    |   |   |   |   |   |   |   |   |   |   |
|                  |   | Generated    | 1     | Event generated             |    |    |    |    |    |    |    |    |    |    |    |    |    |    |    |    |    |    |   |   |   |   |   |   |   |   |   |   |

### 6.12.3.8 SHORTS

Address offset: 0x200

Shortcuts between local events and tasks

| Bit number       | 31  | 30       | 29    | 28   | 27 | 26 | 25 | 24 | 23 | 22 | 21 | 20 | 19 | 18 | 17 | 16 | 15 | 14 | 13 | 12 | 11 | 10 | 9 | 8 | 7 | 6 | 5 | 4 | 3 | 2 | 1 | 0         |
|------------------|---|----------|-------|--|----|----|----|----|----|----|----|----|----|----|----|----|----|----|----|----|----|----|---|---|---|---|---|---|---|---|---|-----------|
| ID               |   |          |       |  |    |    |    |    |    |    |    |    |    |    |    |    |    |    |    |    |    |    |   |   |   |   |   |   |   |   |   | E D C B A |
| Reset 0x00000000 | 0 |          |       |  |    |    |    |    |    |    |    |    |    |    |    |    |    |    |    |    |    |    |   |   |   |   |   |   |   |   |   |           |
| ID               | Acce Field  | Value ID | Value | Description  |    |    |    |    |    |    |    |    |    |    |    |    |    |    |    |    |    |    |   |   |   |   |   |   |   |   |   |           |
| A                | RW READY_SAMPLE   |          |       | Shortcut between event <a href="#">READY</a> and task <a href="#">SAMPLE</a> |    |    |    |    |    |    |    |    |    |    |    |    |    |    |    |    |    |    |   |   |   |   |   |   |   |   |   |           |
|                  |   | Disabled | 0     | Disable shortcut   |    |    |    |    |    |    |    |    |    |    |    |    |    |    |    |    |    |    |   |   |   |   |   |   |   |   |   |           |
|                  |   | Enabled  | 1     | Enable shortcut  |    |    |    |    |    |    |    |    |    |    |    |    |    |    |    |    |    |    |   |   |   |   |   |   |   |   |   |           |
| B                | RW READY_STOP   |          |       | Shortcut between event <a href="#">READY</a> and task <a href="#">STOP</a>   |    |    |    |    |    |    |    |    |    |    |    |    |    |    |    |    |    |    |   |   |   |   |   |   |   |   |   |           |
|                  |   | Disabled | 0     | Disable shortcut   |    |    |    |    |    |    |    |    |    |    |    |    |    |    |    |    |    |    |   |   |   |   |   |   |   |   |   |           |
|                  |   | Enabled  | 1     | Enable shortcut  |    |    |    |    |    |    |    |    |    |    |    |    |    |    |    |    |    |    |   |   |   |   |   |   |   |   |   |           |
| C                | RW DOWN_STOP  |          |       | Shortcut between event <a href="#">DOWN</a> and task <a href="#">STOP</a>    |    |    |    |    |    |    |    |    |    |    |    |    |    |    |    |    |    |    |   |   |   |   |   |   |   |   |   |           |
|                  |   | Disabled | 0     | Disable shortcut   |    |    |    |    |    |    |    |    |    |    |    |    |    |    |    |    |    |    |   |   |   |   |   |   |   |   |   |           |
|                  |   | Enabled  | 1     | Enable shortcut  |    |    |    |    |    |    |    |    |    |    |    |    |    |    |    |    |    |    |   |   |   |   |   |   |   |   |   |           |
| D                | RW UP_STOP  |          |       | Shortcut between event <a href="#">UP</a> and task <a href="#">STOP</a>      |    |    |    |    |    |    |    |    |    |    |    |    |    |    |    |    |    |    |   |   |   |   |   |   |   |   |   |           |
|                  |   | Disabled | 0     | Disable shortcut   |    |    |    |    |    |    |    |    |    |    |    |    |    |    |    |    |    |    |   |   |   |   |   |   |   |   |   |           |
|                  |   | Enabled  | 1     | Enable shortcut  |    |    |    |    |    |    |    |    |    |    |    |    |    |    |    |    |    |    |   |   |   |   |   |   |   |   |   |           |
| E                | RW CROSS_STOP   |          |       | Shortcut between event <a href="#">CROSS</a> and task <a href="#">STOP</a>   |    |    |    |    |    |    |    |    |    |    |    |    |    |    |    |    |    |    |   |   |   |   |   |   |   |   |   |           |
|                  |   | Disabled | 0     | Disable shortcut   |    |    |    |    |    |    |    |    |    |    |    |    |    |    |    |    |    |    |   |   |   |   |   |   |   |   |   |           |
|                  |   | Enabled  | 1     | Enable shortcut  |    |    |    |    |    |    |    |    |    |    |    |    |    |    |    |    |    |    |   |   |   |   |   |   |   |   |   |           |

### 6.12.3.9 INTENSET

Address offset: 0x304

Enable interrupt

| Bit number | 31 30 29 28 27 26 25 24 23 22 21 20 19 18 17 16 15 14 13 12 11 10 9 8 7 6 5 4 3 2 1 0 |          |          |  |                |  |  |  |  |  |  |  |  |  |  |  |  |  |  |  |  |  |  |  |  |  |  |  |  |  |   |   |   |   |
|------------|---|----------|----------|--|----------------|--|--|--|--|--|--|--|--|--|--|--|--|--|--|--|--|--|--|--|--|--|--|--|--|--|---|---|---|---|
| ID         |   |          |          |  |                |  |  |  |  |  |  |  |  |  |  |  |  |  |  |  |  |  |  |  |  |  |  |  |  |  | D | C | B | A |
| Reset      | 0x00000000  |          |          |  |                |  |  |  |  |  |  |  |  |  |  |  |  |  |  |  |  |  |  |  |  |  |  |  |  |  |   |   |   |   |
| ID         | Acce Field  | Value ID | Value    | Description  |                |  |  |  |  |  |  |  |  |  |  |  |  |  |  |  |  |  |  |  |  |  |  |  |  |  |   |   |   |   |
| A          | RW  | READY    |          | Write '1' to enable interrupt for event <b>READY</b> |                |  |  |  |  |  |  |  |  |  |  |  |  |  |  |  |  |  |  |  |  |  |  |  |  |  |   |   |   |   |
|            |   |          | Set      | 1  | Enable         |  |  |  |  |  |  |  |  |  |  |  |  |  |  |  |  |  |  |  |  |  |  |  |  |  |   |   |   |   |
|            |   |          | Disabled | 0  | Read: Disabled |  |  |  |  |  |  |  |  |  |  |  |  |  |  |  |  |  |  |  |  |  |  |  |  |  |   |   |   |   |
|            |   | Enabled  | 1        | Read: Enabled  |                |  |  |  |  |  |  |  |  |  |  |  |  |  |  |  |  |  |  |  |  |  |  |  |  |  |   |   |   |   |
| B          | RW  | DOWN     |          | Write '1' to enable interrupt for event <b>DOWN</b>  |                |  |  |  |  |  |  |  |  |  |  |  |  |  |  |  |  |  |  |  |  |  |  |  |  |  |   |   |   |   |
|            |   |          | Set      | 1  | Enable         |  |  |  |  |  |  |  |  |  |  |  |  |  |  |  |  |  |  |  |  |  |  |  |  |  |   |   |   |   |
|            |   |          | Disabled | 0  | Read: Disabled |  |  |  |  |  |  |  |  |  |  |  |  |  |  |  |  |  |  |  |  |  |  |  |  |  |   |   |   |   |
|            |   | Enabled  | 1        | Read: Enabled  |                |  |  |  |  |  |  |  |  |  |  |  |  |  |  |  |  |  |  |  |  |  |  |  |  |  |   |   |   |   |
| C          | RW  | UP       |          | Write '1' to enable interrupt for event <b>UP</b>    |                |  |  |  |  |  |  |  |  |  |  |  |  |  |  |  |  |  |  |  |  |  |  |  |  |  |   |   |   |   |
|            |   |          | Set      | 1  | Enable         |  |  |  |  |  |  |  |  |  |  |  |  |  |  |  |  |  |  |  |  |  |  |  |  |  |   |   |   |   |
|            |   |          | Disabled | 0  | Read: Disabled |  |  |  |  |  |  |  |  |  |  |  |  |  |  |  |  |  |  |  |  |  |  |  |  |  |   |   |   |   |
|            |   | Enabled  | 1        | Read: Enabled  |                |  |  |  |  |  |  |  |  |  |  |  |  |  |  |  |  |  |  |  |  |  |  |  |  |  |   |   |   |   |
| D          | RW  | CROSS    |          | Write '1' to enable interrupt for event <b>CROSS</b> |                |  |  |  |  |  |  |  |  |  |  |  |  |  |  |  |  |  |  |  |  |  |  |  |  |  |   |   |   |   |
|            |   |          | Set      | 1  | Enable         |  |  |  |  |  |  |  |  |  |  |  |  |  |  |  |  |  |  |  |  |  |  |  |  |  |   |   |   |   |
|            |   |          | Disabled | 0  | Read: Disabled |  |  |  |  |  |  |  |  |  |  |  |  |  |  |  |  |  |  |  |  |  |  |  |  |  |   |   |   |   |
|            |   | Enabled  | 1        | Read: Enabled  |                |  |  |  |  |  |  |  |  |  |  |  |  |  |  |  |  |  |  |  |  |  |  |  |  |  |   |   |   |   |

### 6.12.3.10 INTENCLR

Address offset: 0x308

Disable interrupt

| Bit number | 31 30 29 28 27 26 25 24 23 22 21 20 19 18 17 16 15 14 13 12 11 10 9 8 7 6 5 4 3 2 1 0 |          |          |   |                |  |  |  |  |  |  |  |  |  |  |  |  |  |  |  |  |  |  |  |  |  |  |  |  |  |   |   |   |   |
|------------|---|----------|----------|---|----------------|--|--|--|--|--|--|--|--|--|--|--|--|--|--|--|--|--|--|--|--|--|--|--|--|--|---|---|---|---|
| ID         |   |          |          |   |                |  |  |  |  |  |  |  |  |  |  |  |  |  |  |  |  |  |  |  |  |  |  |  |  |  | D | C | B | A |
| Reset      | 0x00000000  |          |          |   |                |  |  |  |  |  |  |  |  |  |  |  |  |  |  |  |  |  |  |  |  |  |  |  |  |  |   |   |   |   |
| ID         | Acce Field  | Value ID | Value    | Description   |                |  |  |  |  |  |  |  |  |  |  |  |  |  |  |  |  |  |  |  |  |  |  |  |  |  |   |   |   |   |
| A          | RW  | READY    |          | Write '1' to disable interrupt for event <b>READY</b> |                |  |  |  |  |  |  |  |  |  |  |  |  |  |  |  |  |  |  |  |  |  |  |  |  |  |   |   |   |   |
|            |   |          | Clear    | 1   | Disable        |  |  |  |  |  |  |  |  |  |  |  |  |  |  |  |  |  |  |  |  |  |  |  |  |  |   |   |   |   |
|            |   |          | Disabled | 0   | Read: Disabled |  |  |  |  |  |  |  |  |  |  |  |  |  |  |  |  |  |  |  |  |  |  |  |  |  |   |   |   |   |
|            |   | Enabled  | 1        | Read: Enabled   |                |  |  |  |  |  |  |  |  |  |  |  |  |  |  |  |  |  |  |  |  |  |  |  |  |  |   |   |   |   |
| B          | RW  | DOWN     |          | Write '1' to disable interrupt for event <b>DOWN</b>  |                |  |  |  |  |  |  |  |  |  |  |  |  |  |  |  |  |  |  |  |  |  |  |  |  |  |   |   |   |   |
|            |   |          | Clear    | 1   | Disable        |  |  |  |  |  |  |  |  |  |  |  |  |  |  |  |  |  |  |  |  |  |  |  |  |  |   |   |   |   |
|            |   |          | Disabled | 0   | Read: Disabled |  |  |  |  |  |  |  |  |  |  |  |  |  |  |  |  |  |  |  |  |  |  |  |  |  |   |   |   |   |
|            |   | Enabled  | 1        | Read: Enabled   |                |  |  |  |  |  |  |  |  |  |  |  |  |  |  |  |  |  |  |  |  |  |  |  |  |  |   |   |   |   |
| C          | RW  | UP       |          | Write '1' to disable interrupt for event <b>UP</b>    |                |  |  |  |  |  |  |  |  |  |  |  |  |  |  |  |  |  |  |  |  |  |  |  |  |  |   |   |   |   |
|            |   |          | Clear    | 1   | Disable        |  |  |  |  |  |  |  |  |  |  |  |  |  |  |  |  |  |  |  |  |  |  |  |  |  |   |   |   |   |
|            |   |          | Disabled | 0   | Read: Disabled |  |  |  |  |  |  |  |  |  |  |  |  |  |  |  |  |  |  |  |  |  |  |  |  |  |   |   |   |   |
|            |   | Enabled  | 1        | Read: Enabled   |                |  |  |  |  |  |  |  |  |  |  |  |  |  |  |  |  |  |  |  |  |  |  |  |  |  |   |   |   |   |
| D          | RW  | CROSS    |          | Write '1' to disable interrupt for event <b>CROSS</b> |                |  |  |  |  |  |  |  |  |  |  |  |  |  |  |  |  |  |  |  |  |  |  |  |  |  |   |   |   |   |
|            |   |          | Clear    | 1   | Disable        |  |  |  |  |  |  |  |  |  |  |  |  |  |  |  |  |  |  |  |  |  |  |  |  |  |   |   |   |   |
|            |   |          | Disabled | 0   | Read: Disabled |  |  |  |  |  |  |  |  |  |  |  |  |  |  |  |  |  |  |  |  |  |  |  |  |  |   |   |   |   |
|            |   | Enabled  | 1        | Read: Enabled   |                |  |  |  |  |  |  |  |  |  |  |  |  |  |  |  |  |  |  |  |  |  |  |  |  |  |   |   |   |   |

### 6.12.3.11 RESULT

Address offset: 0x400

Compare result

| Bit number       | 31  | 30       | 29    | 28   | 27 | 26 | 25 | 24 | 23 | 22 | 21 | 20 | 19 | 18 | 17 | 16 | 15 | 14 | 13 | 12 | 11 | 10 | 9 | 8 | 7 | 6 | 5 | 4 | 3 | 2 | 1 | 0 |
|------------------|---|----------|-------|--|----|----|----|----|----|----|----|----|----|----|----|----|----|----|----|----|----|----|---|---|---|---|---|---|---|---|---|---|
| ID               |   |          |       |  |    |    |    |    |    |    |    |    |    |    |    |    |    |    |    |    |    |    |   |   |   |   |   |   |   |   |   | A |
| Reset 0x00000000 | 0 |          |       |  |    |    |    |    |    |    |    |    |    |    |    |    |    |    |    |    |    |    |   |   |   |   |   |   |   |   |   |   |
| ID               | Acce Field  | Value ID | Value | Description  |    |    |    |    |    |    |    |    |    |    |    |    |    |    |    |    |    |    |   |   |   |   |   |   |   |   |   |   |
| A                | R   | RESULT   |       | Result of last compare. Decision point SAMPLE task.          |    |    |    |    |    |    |    |    |    |    |    |    |    |    |    |    |    |    |   |   |   |   |   |   |   |   |   |   |
|                  |   | Below    | 0     | Input voltage is below the reference threshold (VIN+ < VIN-) |    |    |    |    |    |    |    |    |    |    |    |    |    |    |    |    |    |    |   |   |   |   |   |   |   |   |   |   |
|                  |   | Above    | 1     | Input voltage is above the reference threshold (VIN+ > VIN-) |    |    |    |    |    |    |    |    |    |    |    |    |    |    |    |    |    |    |   |   |   |   |   |   |   |   |   |   |

### 6.12.3.12 ENABLE

Address offset: 0x500

Enable LPCOMP

| Bit number       | 31  | 30       | 29    | 28                       | 27 | 26 | 25 | 24 | 23 | 22 | 21 | 20 | 19 | 18 | 17 | 16 | 15 | 14 | 13 | 12 | 11 | 10 | 9 | 8 | 7 | 6 | 5 | 4 | 3 | 2 | 1 | 0 |
|------------------|---|----------|-------|--------------------------|----|----|----|----|----|----|----|----|----|----|----|----|----|----|----|----|----|----|---|---|---|---|---|---|---|---|---|---|
| ID               |   |          |       |                          |    |    |    |    |    |    |    |    |    |    |    |    |    |    |    |    |    |    |   |   |   |   |   |   |   |   |   | A |
| Reset 0x00000000 | 0 |          |       |                          |    |    |    |    |    |    |    |    |    |    |    |    |    |    |    |    |    |    |   |   |   |   |   |   |   |   |   |   |
| ID               | Acce Field  | Value ID | Value | Description              |    |    |    |    |    |    |    |    |    |    |    |    |    |    |    |    |    |    |   |   |   |   |   |   |   |   |   |   |
| A                | RW  | ENABLE   |       | Enable or disable LPCOMP |    |    |    |    |    |    |    |    |    |    |    |    |    |    |    |    |    |    |   |   |   |   |   |   |   |   |   |   |
|                  |   | Disabled | 0     | Disable                  |    |    |    |    |    |    |    |    |    |    |    |    |    |    |    |    |    |    |   |   |   |   |   |   |   |   |   |   |
|                  |   | Enabled  | 1     | Enable                   |    |    |    |    |    |    |    |    |    |    |    |    |    |    |    |    |    |    |   |   |   |   |   |   |   |   |   |   |

### 6.12.3.13 PSEL

Address offset: 0x504

Input pin select

| Bit number       | 31  | 30           | 29    | 28                            | 27 | 26 | 25 | 24 | 23 | 22 | 21 | 20 | 19 | 18 | 17 | 16 | 15 | 14 | 13 | 12 | 11 | 10 | 9 | 8 | 7 | 6 | 5 | 4 | 3 | 2 | 1 | 0 |
|------------------|---|--------------|-------|-------------------------------|----|----|----|----|----|----|----|----|----|----|----|----|----|----|----|----|----|----|---|---|---|---|---|---|---|---|---|---|
| ID               |   |              |       |                               |    |    |    |    |    |    |    |    |    |    |    |    |    |    |    |    |    |    |   |   |   |   |   |   |   |   |   | A |
| Reset 0x00000000 | 0 |              |       |                               |    |    |    |    |    |    |    |    |    |    |    |    |    |    |    |    |    |    |   |   |   |   |   |   |   |   |   |   |
| ID               | Acce Field  | Value ID     | Value | Description                   |    |    |    |    |    |    |    |    |    |    |    |    |    |    |    |    |    |    |   |   |   |   |   |   |   |   |   |   |
| A                | RW  | PSEL         |       | Analog pin select             |    |    |    |    |    |    |    |    |    |    |    |    |    |    |    |    |    |    |   |   |   |   |   |   |   |   |   |   |
|                  |   | AnalogInput0 | 0     | AIN0 selected as analog input |    |    |    |    |    |    |    |    |    |    |    |    |    |    |    |    |    |    |   |   |   |   |   |   |   |   |   |   |
|                  |   | AnalogInput1 | 1     | AIN1 selected as analog input |    |    |    |    |    |    |    |    |    |    |    |    |    |    |    |    |    |    |   |   |   |   |   |   |   |   |   |   |
|                  |   | AnalogInput2 | 2     | AIN2 selected as analog input |    |    |    |    |    |    |    |    |    |    |    |    |    |    |    |    |    |    |   |   |   |   |   |   |   |   |   |   |
|                  |   | AnalogInput3 | 3     | AIN3 selected as analog input |    |    |    |    |    |    |    |    |    |    |    |    |    |    |    |    |    |    |   |   |   |   |   |   |   |   |   |   |
|                  |   | AnalogInput4 | 4     | AIN4 selected as analog input |    |    |    |    |    |    |    |    |    |    |    |    |    |    |    |    |    |    |   |   |   |   |   |   |   |   |   |   |
|                  |   | AnalogInput5 | 5     | AIN5 selected as analog input |    |    |    |    |    |    |    |    |    |    |    |    |    |    |    |    |    |    |   |   |   |   |   |   |   |   |   |   |
|                  |   | AnalogInput6 | 6     | AIN6 selected as analog input |    |    |    |    |    |    |    |    |    |    |    |    |    |    |    |    |    |    |   |   |   |   |   |   |   |   |   |   |
|                  |   | AnalogInput7 | 7     | AIN7 selected as analog input |    |    |    |    |    |    |    |    |    |    |    |    |    |    |    |    |    |    |   |   |   |   |   |   |   |   |   |   |

### 6.12.3.14 REFSEL

Address offset: 0x508

Reference select

| Bit number       | 31  | 30        | 29    | 28                              | 27 | 26 | 25 | 24 | 23 | 22 | 21 | 20 | 19 | 18 | 17 | 16 | 15 | 14 | 13 | 12 | 11 | 10 | 9 | 8 | 7 | 6 | 5 | 4 | 3 | 2 | 1 | 0 |
|------------------|---|-----------|-------|---------------------------------|----|----|----|----|----|----|----|----|----|----|----|----|----|----|----|----|----|----|---|---|---|---|---|---|---|---|---|---|
| ID               |   |           |       |                                 |    |    |    |    |    |    |    |    |    |    |    |    |    |    |    |    |    |    |   |   |   |   |   |   |   |   |   | A |
| Reset 0x00000004 | 0 |           |       |                                 |    |    |    |    |    |    |    |    |    |    |    |    |    |    |    |    |    |    |   |   |   |   |   |   |   |   |   |   |
| ID               | Acce Field  | Value ID  | Value | Description                     |    |    |    |    |    |    |    |    |    |    |    |    |    |    |    |    |    |    |   |   |   |   |   |   |   |   |   |   |
| A                | RW  | REFSEL    |       | Reference select                |    |    |    |    |    |    |    |    |    |    |    |    |    |    |    |    |    |    |   |   |   |   |   |   |   |   |   |   |
|                  |   | Ref1_8Vdd | 0     | VDD * 1/8 selected as reference |    |    |    |    |    |    |    |    |    |    |    |    |    |    |    |    |    |    |   |   |   |   |   |   |   |   |   |   |
|                  |   | Ref2_8Vdd | 1     | VDD * 2/8 selected as reference |    |    |    |    |    |    |    |    |    |    |    |    |    |    |    |    |    |    |   |   |   |   |   |   |   |   |   |   |

| Bit number              | 31 30 29 28 27 26 25 24 23 22 21 20 19 18 17 16 15 14 13 12 11 10 9 8 7 6 5 4 3 2 1 0 |             |       |                                    |  |  |  |  |  |  |  |  |  |  |  |  |  |  |  |  |  |  |  |  |  |  |  |  |  |  |  |   |   |   |   |
|-------------------------|---|-------------|-------|------------------------------------|--|--|--|--|--|--|--|--|--|--|--|--|--|--|--|--|--|--|--|--|--|--|--|--|--|--|--|---|---|---|---|
| ID                      |   |             |       |                                    |  |  |  |  |  |  |  |  |  |  |  |  |  |  |  |  |  |  |  |  |  |  |  |  |  |  |  | A | A | A | A |
| <b>Reset 0x00000004</b> | <b>0 1 0 0</b>    |             |       |                                    |  |  |  |  |  |  |  |  |  |  |  |  |  |  |  |  |  |  |  |  |  |  |  |  |  |  |  |   |   |   |   |
| ID                      | Acce Field  | Value ID    | Value | Description                        |  |  |  |  |  |  |  |  |  |  |  |  |  |  |  |  |  |  |  |  |  |  |  |  |  |  |  |   |   |   |   |
|                         |   | Ref3_8Vdd   | 2     | VDD * 3/8 selected as reference    |  |  |  |  |  |  |  |  |  |  |  |  |  |  |  |  |  |  |  |  |  |  |  |  |  |  |  |   |   |   |   |
|                         |   | Ref4_8Vdd   | 3     | VDD * 4/8 selected as reference    |  |  |  |  |  |  |  |  |  |  |  |  |  |  |  |  |  |  |  |  |  |  |  |  |  |  |  |   |   |   |   |
|                         |   | Ref5_8Vdd   | 4     | VDD * 5/8 selected as reference    |  |  |  |  |  |  |  |  |  |  |  |  |  |  |  |  |  |  |  |  |  |  |  |  |  |  |  |   |   |   |   |
|                         |   | Ref6_8Vdd   | 5     | VDD * 6/8 selected as reference    |  |  |  |  |  |  |  |  |  |  |  |  |  |  |  |  |  |  |  |  |  |  |  |  |  |  |  |   |   |   |   |
|                         |   | Ref7_8Vdd   | 6     | VDD * 7/8 selected as reference    |  |  |  |  |  |  |  |  |  |  |  |  |  |  |  |  |  |  |  |  |  |  |  |  |  |  |  |   |   |   |   |
|                         |   | ARef        | 7     | External analog reference selected |  |  |  |  |  |  |  |  |  |  |  |  |  |  |  |  |  |  |  |  |  |  |  |  |  |  |  |   |   |   |   |
|                         |   | Ref1_16Vdd  | 8     | VDD * 1/16 selected as reference   |  |  |  |  |  |  |  |  |  |  |  |  |  |  |  |  |  |  |  |  |  |  |  |  |  |  |  |   |   |   |   |
|                         |   | Ref3_16Vdd  | 9     | VDD * 3/16 selected as reference   |  |  |  |  |  |  |  |  |  |  |  |  |  |  |  |  |  |  |  |  |  |  |  |  |  |  |  |   |   |   |   |
|                         |   | Ref5_16Vdd  | 10    | VDD * 5/16 selected as reference   |  |  |  |  |  |  |  |  |  |  |  |  |  |  |  |  |  |  |  |  |  |  |  |  |  |  |  |   |   |   |   |
|                         |   | Ref7_16Vdd  | 11    | VDD * 7/16 selected as reference   |  |  |  |  |  |  |  |  |  |  |  |  |  |  |  |  |  |  |  |  |  |  |  |  |  |  |  |   |   |   |   |
|                         |   | Ref9_16Vdd  | 12    | VDD * 9/16 selected as reference   |  |  |  |  |  |  |  |  |  |  |  |  |  |  |  |  |  |  |  |  |  |  |  |  |  |  |  |   |   |   |   |
|                         |   | Ref11_16Vdd | 13    | VDD * 11/16 selected as reference  |  |  |  |  |  |  |  |  |  |  |  |  |  |  |  |  |  |  |  |  |  |  |  |  |  |  |  |   |   |   |   |
|                         |   | Ref13_16Vdd | 14    | VDD * 13/16 selected as reference  |  |  |  |  |  |  |  |  |  |  |  |  |  |  |  |  |  |  |  |  |  |  |  |  |  |  |  |   |   |   |   |
|                         |   | Ref15_16Vdd | 15    | VDD * 15/16 selected as reference  |  |  |  |  |  |  |  |  |  |  |  |  |  |  |  |  |  |  |  |  |  |  |  |  |  |  |  |   |   |   |   |

### 6.12.3.15 EXTREFSEL

Address offset: 0x50C

External reference select

| Bit number              | 31 30 29 28 27 26 25 24 23 22 21 20 19 18 17 16 15 14 13 12 11 10 9 8 7 6 5 4 3 2 1 0 |                  |       |                                       |  |  |  |  |  |  |  |  |  |  |  |  |  |  |  |  |  |  |  |  |  |  |  |  |  |  |  |   |
|-------------------------|---|------------------|-------|---------------------------------------|--|--|--|--|--|--|--|--|--|--|--|--|--|--|--|--|--|--|--|--|--|--|--|--|--|--|--|---|
| ID                      |   |                  |       |                                       |  |  |  |  |  |  |  |  |  |  |  |  |  |  |  |  |  |  |  |  |  |  |  |  |  |  |  | A |
| <b>Reset 0x00000000</b> | <b>0 0</b>      |                  |       |                                       |  |  |  |  |  |  |  |  |  |  |  |  |  |  |  |  |  |  |  |  |  |  |  |  |  |  |  |   |
| ID                      | Acce Field  | Value ID         | Value | Description                           |  |  |  |  |  |  |  |  |  |  |  |  |  |  |  |  |  |  |  |  |  |  |  |  |  |  |  |   |
| A                       | RW  | EXTREFSEL        |       | External analog reference select      |  |  |  |  |  |  |  |  |  |  |  |  |  |  |  |  |  |  |  |  |  |  |  |  |  |  |  |   |
|                         |   | AnalogReference0 | 0     | Use AINO as external analog reference |  |  |  |  |  |  |  |  |  |  |  |  |  |  |  |  |  |  |  |  |  |  |  |  |  |  |  |   |
|                         |   | AnalogReference1 | 1     | Use AIN1 as external analog reference |  |  |  |  |  |  |  |  |  |  |  |  |  |  |  |  |  |  |  |  |  |  |  |  |  |  |  |   |

### 6.12.3.16 ANADETECT

Address offset: 0x520

Analog detect configuration

| Bit number              | 31 30 29 28 27 26 25 24 23 22 21 20 19 18 17 16 15 14 13 12 11 10 9 8 7 6 5 4 3 2 1 0 |           |       |  |  |  |  |  |  |  |  |  |  |  |  |  |  |  |  |  |  |  |  |  |  |  |  |  |  |  |  |   |   |
|-------------------------|---|-----------|-------|--|--|--|--|--|--|--|--|--|--|--|--|--|--|--|--|--|--|--|--|--|--|--|--|--|--|--|--|---|---|
| ID                      |   |           |       |  |  |  |  |  |  |  |  |  |  |  |  |  |  |  |  |  |  |  |  |  |  |  |  |  |  |  |  | A | A |
| <b>Reset 0x00000000</b> | <b>0 0</b>      |           |       |  |  |  |  |  |  |  |  |  |  |  |  |  |  |  |  |  |  |  |  |  |  |  |  |  |  |  |  |   |   |
| ID                      | Acce Field  | Value ID  | Value | Description  |  |  |  |  |  |  |  |  |  |  |  |  |  |  |  |  |  |  |  |  |  |  |  |  |  |  |  |   |   |
| A                       | RW  | ANADETECT |       | Analog detect configuration  |  |  |  |  |  |  |  |  |  |  |  |  |  |  |  |  |  |  |  |  |  |  |  |  |  |  |  |   |   |
|                         |   | Cross     | 0     | Generate ANADETECT on crossing, both upward crossing and downward crossing |  |  |  |  |  |  |  |  |  |  |  |  |  |  |  |  |  |  |  |  |  |  |  |  |  |  |  |   |   |
|                         |   | Up        | 1     | Generate ANADETECT on upward crossing only                                 |  |  |  |  |  |  |  |  |  |  |  |  |  |  |  |  |  |  |  |  |  |  |  |  |  |  |  |   |   |
|                         |   | Down      | 2     | Generate ANADETECT on downward crossing only                               |  |  |  |  |  |  |  |  |  |  |  |  |  |  |  |  |  |  |  |  |  |  |  |  |  |  |  |   |   |

### 6.12.3.17 HYST

Address offset: 0x538

Comparator hysteresis enable

| Bit number | 31         | 30    | 29       | 28 | 27    | 26                             | 25 | 24 | 23 | 22 | 21 | 20 | 19 | 18 | 17 | 16 | 15 | 14 | 13 | 12 | 11 | 10 | 9 | 8 | 7 | 6 | 5 | 4 | 3 | 2 | 1 | 0 |   |   |
|------------|------------|-------|----------|----|-------|--------------------------------|----|----|----|----|----|----|----|----|----|----|----|----|----|----|----|----|---|---|---|---|---|---|---|---|---|---|---|---|
| ID         | A          |       |          |    |       |                                |    |    |    |    |    |    |    |    |    |    |    |    |    |    |    |    |   |   |   |   |   |   |   |   |   |   |   |   |
| Reset      | 0x00000000 |       |          |    |       |                                |    |    |    |    |    |    |    |    |    |    |    |    |    |    |    |    |   |   |   |   |   |   |   |   |   |   |   |   |
| 0          | 0          | 0     | 0        | 0  | 0     | 0                              | 0  | 0  | 0  | 0  | 0  | 0  | 0  | 0  | 0  | 0  | 0  | 0  | 0  | 0  | 0  | 0  | 0 | 0 | 0 | 0 | 0 | 0 | 0 | 0 | 0 | 0 | 0 | 0 |
| ID         | Acce       | Field | Value    | ID | Value | Description                    |    |    |    |    |    |    |    |    |    |    |    |    |    |    |    |    |   |   |   |   |   |   |   |   |   |   |   |   |
| A          | RW         | HYST  |          |    |       | Comparator hysteresis enable   |    |    |    |    |    |    |    |    |    |    |    |    |    |    |    |    |   |   |   |   |   |   |   |   |   |   |   |   |
|            |            |       | Disabled | 0  |       | Comparator hysteresis disabled |    |    |    |    |    |    |    |    |    |    |    |    |    |    |    |    |   |   |   |   |   |   |   |   |   |   |   |   |
|            |            |       | Enabled  | 1  |       | Comparator hysteresis enabled  |    |    |    |    |    |    |    |    |    |    |    |    |    |    |    |    |   |   |   |   |   |   |   |   |   |   |   |   |

## 6.12.4 Electrical specification

### 6.12.4.1 LPCOMP Electrical Specification

| Symbol                 | Description  | Min. | Typ. | Max. | Units |
|------------------------|--|------|------|------|-------|
| t <sub>LPCANADET</sub> | Time from VIN crossing (>=50 mV above threshold) to ANADETECT signal generated |      | 5    |      | µs    |
| V <sub>INOFFSET</sub>  | Input offset including reference ladder error                                  | -40  |      | 40   | mV    |
| V <sub>HYST</sub>      | Optional hysteresis  |      | 35   |      | mV    |
| t <sub>STARTUP</sub>   | Startup time for LPCOMP  |      | 140  |      | µs    |

## 6.13 MWU — Memory watch unit

The Memory watch unit (MWU) can be used to generate events when a memory region is accessed by the CPU. The MWU can be configured to trigger events for access to Data RAM and Peripheral memory segments. The MWU allows an application developer to generate memory access events during development for debugging or during production execution for failure detection and recovery.

Listed here are the main features for MWU:

- Six memory regions, four user-configurable and two fixed regions in peripheral address space
- Flexible configuration of regions with START and END addresses
- Generate events on CPU read and/or write to a defined region of Data RAM or peripheral memory address space
- Programmable maskable or non-maskable (NMI) interrupt on events
- Peripheral interfaces can be watched for read and write access using subregions of the two fixed memory regions

| Memory region | START address | END address  |
|---------------|---------------|--------------|
| REGION[0..3]  | Configurable  | Configurable |
| PREGION[0]    | 0x40000000    | 0x4001FFFF   |
| PREGION[1]    | 0x40020000    | 0x4003FFFF   |

Table 61: Memory regions

Each MWU region is defined by a start address and an end address, configured by the START and END registers respectively. These addresses are byte aligned and inclusive. The END register value has to be greater or equal to the START register value. Each region is associated with a pair of events that indicate that either a write access or a read access from the CPU has been detected inside the region.

For regions containing subregions (see below), a set of status registers PERREGION[0..1].SUBSTATWA and PERREGION[0..1].SUBSTATRA indicate which subregion(s) caused the EVENT\_PREGION[0..1].WA and EVENT\_PREGION[0..1].RA respectively.

The MWU is only able to detect memory accesses in the Data RAM and Peripheral memory segments from the CPU, see [Memory](#) on page 20 for more information about the different memory segments. EasyDMA

accesses are not monitored by the MWU. The MWU requires two HCLK cycles to detect and generate the event.

The peripheral regions, PREGION[0..1], are divided into 32 equally sized subregions, SR[0..31]. All subregions are excluded in the main region by default, and any can be included by specifying them in the SUBS register. When a subregion is excluded from the main region, the memory watch mechanism will not trigger any events when that subregion is accessed.

Subregions in PREGION[0..1] cannot be individually configured for read or write access watch. Watch configuration is only possible for a region as a whole. The PRGNiRA and PRGNiWA (i=0..1) fields in the REGIONEN register control watching read and write access.

REGION[0..3] can be individually enabled for read and/or write access watching through their respective RGNiRA and RGNiWA (i=0..3) fields in the REGIONEN register.

REGIONENSET and REGIONENCLR allow respectively enabling and disabling one or multiple REGIONs or PREGIONs watching in a single write access.

### 6.13.1 Registers

| Base address | Peripheral | Instance | Description       | Configuration |
|--------------|------------|----------|-------------------|---------------|
| 0x40020000   | MWU        | MWU      | Memory watch unit |               |

Table 62: Instances

| Register               | Offset | Description   |
|------------------------|--------|---|
| EVENTS_REGION[0].WA    | 0x100  | Write access to region 0 detected   |
| EVENTS_REGION[0].RA    | 0x104  | Read access to region 0 detected  |
| EVENTS_REGION[1].WA    | 0x108  | Write access to region 1 detected   |
| EVENTS_REGION[1].RA    | 0x10C  | Read access to region 1 detected  |
| EVENTS_REGION[2].WA    | 0x110  | Write access to region 2 detected   |
| EVENTS_REGION[2].RA    | 0x114  | Read access to region 2 detected  |
| EVENTS_REGION[3].WA    | 0x118  | Write access to region 3 detected   |
| EVENTS_REGION[3].RA    | 0x11C  | Read access to region 3 detected  |
| EVENTS_PREGION[0].WA   | 0x160  | Write access to peripheral region 0 detected  |
| EVENTS_PREGION[0].RA   | 0x164  | Read access to peripheral region 0 detected   |
| EVENTS_PREGION[1].WA   | 0x168  | Write access to peripheral region 1 detected  |
| EVENTS_PREGION[1].RA   | 0x16C  | Read access to peripheral region 1 detected   |
| INTEN                  | 0x300  | Enable or disable interrupt   |
| INTENSET               | 0x304  | Enable interrupt  |
| INTENCLR               | 0x308  | Disable interrupt   |
| NMIEN                  | 0x320  | Enable or disable interrupt   |
| NMIENSET               | 0x324  | Enable interrupt  |
| NMIENCLR               | 0x328  | Disable interrupt   |
| PERREGION[0].SUBSTATWA | 0x400  | Source of event/interrupt in region 0, write access detected while corresponding subregion was enabled for watching |
| PERREGION[0].SUBSTATRA | 0x404  | Source of event/interrupt in region 0, read access detected while corresponding subregion was enabled for watching  |
| PERREGION[1].SUBSTATWA | 0x408  | Source of event/interrupt in region 1, write access detected while corresponding subregion was enabled for watching |
| PERREGION[1].SUBSTATRA | 0x40C  | Source of event/interrupt in region 1, read access detected while corresponding subregion was enabled for watching  |
| REGIONEN               | 0x510  | Enable/disable regions watch  |
| REGIONENSET            | 0x514  | Enable regions watch  |
| REGIONENCLR            | 0x518  | Disable regions watch   |

| Register         | Offset | Description                |
|------------------|--------|----------------------------|
| REGION[0].START  | 0x600  | Start address for region 0 |
| REGION[0].END    | 0x604  | End address of region 0    |
| REGION[1].START  | 0x610  | Start address for region 1 |
| REGION[1].END    | 0x614  | End address of region 1    |
| REGION[2].START  | 0x620  | Start address for region 2 |
| REGION[2].END    | 0x624  | End address of region 2    |
| REGION[3].START  | 0x630  | Start address for region 3 |
| REGION[3].END    | 0x634  | End address of region 3    |
| PREGION[0].START | 0x6C0  | Reserved for future use    |
| PREGION[0].END   | 0x6C4  | Reserved for future use    |
| PREGION[0].SUBS  | 0x6C8  | Subregions of region 0     |
| PREGION[1].START | 0x6D0  | Reserved for future use    |
| PREGION[1].END   | 0x6D4  | Reserved for future use    |
| PREGION[1].SUBS  | 0x6D8  | Subregions of region 1     |

Table 63: Register overview

### 6.13.1.1 EVENTS\_REGION[n].WA (n=0..3)

Address offset:  $0x100 + (n \times 0x8)$

Write access to region n detected

| Bit number       | 31 30 29 28 27 26 25 24 23 22 21 20 19 18 17 16 15 14 13 12 11 10 9 8 7 6 5 4 3 2 1 0 |       |              |       |                                   |  |  |  |  |  |  |  |  |  |  |  |  |  |  |  |  |  |  |  |  |  |  |  |  |  |  |
|------------------|---|-------|--------------|-------|-----------------------------------|--|--|--|--|--|--|--|--|--|--|--|--|--|--|--|--|--|--|--|--|--|--|--|--|--|--|
| ID               | A   |       |              |       |                                   |  |  |  |  |  |  |  |  |  |  |  |  |  |  |  |  |  |  |  |  |  |  |  |  |  |  |
| Reset 0x00000000 | 0               |       |              |       |                                   |  |  |  |  |  |  |  |  |  |  |  |  |  |  |  |  |  |  |  |  |  |  |  |  |  |  |
| ID               | Acce  | Field | Value ID     | Value | Description                       |  |  |  |  |  |  |  |  |  |  |  |  |  |  |  |  |  |  |  |  |  |  |  |  |  |  |
| A                | RW  | WA    |              |       | Write access to region n detected |  |  |  |  |  |  |  |  |  |  |  |  |  |  |  |  |  |  |  |  |  |  |  |  |  |  |
|                  |   |       | NotGenerated | 0     | Event not generated               |  |  |  |  |  |  |  |  |  |  |  |  |  |  |  |  |  |  |  |  |  |  |  |  |  |  |
|                  |   |       | Generated    | 1     | Event generated                   |  |  |  |  |  |  |  |  |  |  |  |  |  |  |  |  |  |  |  |  |  |  |  |  |  |  |

### 6.13.1.2 EVENTS\_REGION[n].RA (n=0..3)

Address offset:  $0x104 + (n \times 0x8)$

Read access to region n detected

| Bit number       | 31 30 29 28 27 26 25 24 23 22 21 20 19 18 17 16 15 14 13 12 11 10 9 8 7 6 5 4 3 2 1 0 |       |              |       |                                  |  |  |  |  |  |  |  |  |  |  |  |  |  |  |  |  |  |  |  |  |  |  |  |  |  |  |
|------------------|---|-------|--------------|-------|----------------------------------|--|--|--|--|--|--|--|--|--|--|--|--|--|--|--|--|--|--|--|--|--|--|--|--|--|--|
| ID               | A   |       |              |       |                                  |  |  |  |  |  |  |  |  |  |  |  |  |  |  |  |  |  |  |  |  |  |  |  |  |  |  |
| Reset 0x00000000 | 0               |       |              |       |                                  |  |  |  |  |  |  |  |  |  |  |  |  |  |  |  |  |  |  |  |  |  |  |  |  |  |  |
| ID               | Acce  | Field | Value ID     | Value | Description                      |  |  |  |  |  |  |  |  |  |  |  |  |  |  |  |  |  |  |  |  |  |  |  |  |  |  |
| A                | RW  | RA    |              |       | Read access to region n detected |  |  |  |  |  |  |  |  |  |  |  |  |  |  |  |  |  |  |  |  |  |  |  |  |  |  |
|                  |   |       | NotGenerated | 0     | Event not generated              |  |  |  |  |  |  |  |  |  |  |  |  |  |  |  |  |  |  |  |  |  |  |  |  |  |  |
|                  |   |       | Generated    | 1     | Event generated                  |  |  |  |  |  |  |  |  |  |  |  |  |  |  |  |  |  |  |  |  |  |  |  |  |  |  |

### 6.13.1.3 EVENTS\_PREGION[n].WA (n=0..1)

Address offset:  $0x160 + (n \times 0x8)$

Write access to peripheral region n detected

| Bit number       | 31  | 30    | 29           | 28    | 27   | 26 | 25 | 24 | 23 | 22 | 21 | 20 | 19 | 18 | 17 | 16 | 15 | 14 | 13 | 12 | 11 | 10 | 9 | 8 | 7 | 6 | 5 | 4 | 3 | 2 | 1 | 0 |
|------------------|---|-------|--------------|-------|--|----|----|----|----|----|----|----|----|----|----|----|----|----|----|----|----|----|---|---|---|---|---|---|---|---|---|---|
| ID               |   |       |              |       |  |    |    |    |    |    |    |    |    |    |    |    |    |    |    |    |    |    |   |   |   |   |   |   |   |   |   | A |
| Reset 0x00000000 | 0 |       |              |       |  |    |    |    |    |    |    |    |    |    |    |    |    |    |    |    |    |    |   |   |   |   |   |   |   |   |   |   |
| ID               | Acce  | Field | Value ID     | Value | Description                                  |    |    |    |    |    |    |    |    |    |    |    |    |    |    |    |    |    |   |   |   |   |   |   |   |   |   |   |
| A                | RW  | WA    |              |       | Write access to peripheral region n detected |    |    |    |    |    |    |    |    |    |    |    |    |    |    |    |    |    |   |   |   |   |   |   |   |   |   |   |
|                  |   |       | NotGenerated | 0     | Event not generated                          |    |    |    |    |    |    |    |    |    |    |    |    |    |    |    |    |    |   |   |   |   |   |   |   |   |   |   |
|                  |   |       | Generated    | 1     | Event generated                              |    |    |    |    |    |    |    |    |    |    |    |    |    |    |    |    |    |   |   |   |   |   |   |   |   |   |   |

#### 6.13.1.4 EVENTS\_PREGION[n].RA (n=0..1)

Address offset: 0x164 + (n × 0x8)

Read access to peripheral region n detected

| Bit number       | 31  | 30    | 29           | 28    | 27  | 26 | 25 | 24 | 23 | 22 | 21 | 20 | 19 | 18 | 17 | 16 | 15 | 14 | 13 | 12 | 11 | 10 | 9 | 8 | 7 | 6 | 5 | 4 | 3 | 2 | 1 | 0 |
|------------------|---|-------|--------------|-------|---|----|----|----|----|----|----|----|----|----|----|----|----|----|----|----|----|----|---|---|---|---|---|---|---|---|---|---|
| ID               |   |       |              |       |   |    |    |    |    |    |    |    |    |    |    |    |    |    |    |    |    |    |   |   |   |   |   |   |   |   |   | A |
| Reset 0x00000000 | 0 |       |              |       |   |    |    |    |    |    |    |    |    |    |    |    |    |    |    |    |    |    |   |   |   |   |   |   |   |   |   |   |
| ID               | Acce  | Field | Value ID     | Value | Description                                 |    |    |    |    |    |    |    |    |    |    |    |    |    |    |    |    |    |   |   |   |   |   |   |   |   |   |   |
| A                | RW  | RA    |              |       | Read access to peripheral region n detected |    |    |    |    |    |    |    |    |    |    |    |    |    |    |    |    |    |   |   |   |   |   |   |   |   |   |   |
|                  |   |       | NotGenerated | 0     | Event not generated                         |    |    |    |    |    |    |    |    |    |    |    |    |    |    |    |    |    |   |   |   |   |   |   |   |   |   |   |
|                  |   |       | Generated    | 1     | Event generated                             |    |    |    |    |    |    |    |    |    |    |    |    |    |    |    |    |    |   |   |   |   |   |   |   |   |   |   |

#### 6.13.1.5 INTEN

Address offset: 0x300

Enable or disable interrupt

| Bit number       | 31  | 30        | 29       | 28    | 27  | 26 | 25 | 24 | 23 | 22 | 21 | 20 | 19 | 18 | 17 | 16 | 15 | 14 | 13 | 12 | 11 | 10 | 9 | 8 | 7 | 6 | 5 | 4 | 3 | 2 | 1 | 0 |
|------------------|---|-----------|----------|-------|---|----|----|----|----|----|----|----|----|----|----|----|----|----|----|----|----|----|---|---|---|---|---|---|---|---|---|---|
| ID               |   |           |          |       |   |    |    |    |    |    | L  | K  | J  | I  |    |    |    |    |    |    |    |    |   |   | H | G | F | E | D | C | B | A |
| Reset 0x00000000 | 0 |           |          |       |   |    |    |    |    |    |    |    |    |    |    |    |    |    |    |    |    |    |   |   |   |   |   |   |   |   |   |   |
| ID               | Acce  | Field     | Value ID | Value | Description   |    |    |    |    |    |    |    |    |    |    |    |    |    |    |    |    |    |   |   |   |   |   |   |   |   |   |   |
| A                | RW  | REGION0WA |          |       | Enable or disable interrupt for event <a href="#">REGION0WA</a> |    |    |    |    |    |    |    |    |    |    |    |    |    |    |    |    |    |   |   |   |   |   |   |   |   |   |   |
|                  |   |           | Disabled | 0     | Disable   |    |    |    |    |    |    |    |    |    |    |    |    |    |    |    |    |    |   |   |   |   |   |   |   |   |   |   |
|                  |   |           | Enabled  | 1     | Enable  |    |    |    |    |    |    |    |    |    |    |    |    |    |    |    |    |    |   |   |   |   |   |   |   |   |   |   |
| B                | RW  | REGION0RA |          |       | Enable or disable interrupt for event <a href="#">REGION0RA</a> |    |    |    |    |    |    |    |    |    |    |    |    |    |    |    |    |    |   |   |   |   |   |   |   |   |   |   |
|                  |   |           | Disabled | 0     | Disable   |    |    |    |    |    |    |    |    |    |    |    |    |    |    |    |    |    |   |   |   |   |   |   |   |   |   |   |
|                  |   |           | Enabled  | 1     | Enable  |    |    |    |    |    |    |    |    |    |    |    |    |    |    |    |    |    |   |   |   |   |   |   |   |   |   |   |
| C                | RW  | REGION1WA |          |       | Enable or disable interrupt for event <a href="#">REGION1WA</a> |    |    |    |    |    |    |    |    |    |    |    |    |    |    |    |    |    |   |   |   |   |   |   |   |   |   |   |
|                  |   |           | Disabled | 0     | Disable   |    |    |    |    |    |    |    |    |    |    |    |    |    |    |    |    |    |   |   |   |   |   |   |   |   |   |   |
|                  |   |           | Enabled  | 1     | Enable  |    |    |    |    |    |    |    |    |    |    |    |    |    |    |    |    |    |   |   |   |   |   |   |   |   |   |   |
| D                | RW  | REGION1RA |          |       | Enable or disable interrupt for event <a href="#">REGION1RA</a> |    |    |    |    |    |    |    |    |    |    |    |    |    |    |    |    |    |   |   |   |   |   |   |   |   |   |   |
|                  |   |           | Disabled | 0     | Disable   |    |    |    |    |    |    |    |    |    |    |    |    |    |    |    |    |    |   |   |   |   |   |   |   |   |   |   |
|                  |   |           | Enabled  | 1     | Enable  |    |    |    |    |    |    |    |    |    |    |    |    |    |    |    |    |    |   |   |   |   |   |   |   |   |   |   |
| E                | RW  | REGION2WA |          |       | Enable or disable interrupt for event <a href="#">REGION2WA</a> |    |    |    |    |    |    |    |    |    |    |    |    |    |    |    |    |    |   |   |   |   |   |   |   |   |   |   |
|                  |   |           | Disabled | 0     | Disable   |    |    |    |    |    |    |    |    |    |    |    |    |    |    |    |    |    |   |   |   |   |   |   |   |   |   |   |
|                  |   |           | Enabled  | 1     | Enable  |    |    |    |    |    |    |    |    |    |    |    |    |    |    |    |    |    |   |   |   |   |   |   |   |   |   |   |
| F                | RW  | REGION2RA |          |       | Enable or disable interrupt for event <a href="#">REGION2RA</a> |    |    |    |    |    |    |    |    |    |    |    |    |    |    |    |    |    |   |   |   |   |   |   |   |   |   |   |
|                  |   |           | Disabled | 0     | Disable   |    |    |    |    |    |    |    |    |    |    |    |    |    |    |    |    |    |   |   |   |   |   |   |   |   |   |   |
|                  |   |           | Enabled  | 1     | Enable  |    |    |    |    |    |    |    |    |    |    |    |    |    |    |    |    |    |   |   |   |   |   |   |   |   |   |   |
| G                | RW  | REGION3WA |          |       | Enable or disable interrupt for event <a href="#">REGION3WA</a> |    |    |    |    |    |    |    |    |    |    |    |    |    |    |    |    |    |   |   |   |   |   |   |   |   |   |   |
|                  |   |           | Disabled | 0     | Disable   |    |    |    |    |    |    |    |    |    |    |    |    |    |    |    |    |    |   |   |   |   |   |   |   |   |   |   |
|                  |   |           | Enabled  | 1     | Enable  |    |    |    |    |    |    |    |    |    |    |    |    |    |    |    |    |    |   |   |   |   |   |   |   |   |   |   |
| H                | RW  | REGION3RA |          |       | Enable or disable interrupt for event <a href="#">REGION3RA</a> |    |    |    |    |    |    |    |    |    |    |    |    |    |    |    |    |    |   |   |   |   |   |   |   |   |   |   |
|                  |   |           | Disabled | 0     | Disable   |    |    |    |    |    |    |    |    |    |    |    |    |    |    |    |    |    |   |   |   |   |   |   |   |   |   |   |



| Bit number       | 31 30 29 28 27 26 25 24 23 22 21 20 19 18 17 16 15 14 13 12 11 10 9 8 7 6 5 4 3 2 1 0 |          |       |  |  |  |  |  |  |  |  |  |  |  |  |  |                 |  |  |  |  |  |  |  |  |  |  |  |  |  |  |
|------------------|---|----------|-------|--|--|--|--|--|--|--|--|--|--|--|--|--|-----------------|--|--|--|--|--|--|--|--|--|--|--|--|--|--|
| ID               | L K J I   |          |       |  |  |  |  |  |  |  |  |  |  |  |  |  | H G F E D C B A |  |  |  |  |  |  |  |  |  |  |  |  |  |  |
| Reset 0x00000000 | 0           |          |       |  |  |  |  |  |  |  |  |  |  |  |  |  |                 |  |  |  |  |  |  |  |  |  |  |  |  |  |  |
| ID               | Acce Field  | Value ID | Value | Description  |  |  |  |  |  |  |  |  |  |  |  |  |                 |  |  |  |  |  |  |  |  |  |  |  |  |  |  |
|                  |   | Enabled  | 1     | Enable   |  |  |  |  |  |  |  |  |  |  |  |  |                 |  |  |  |  |  |  |  |  |  |  |  |  |  |  |
| I                | RW PREGION0WA   |          |       | Enable or disable interrupt for event <a href="#">PREGION0WA</a> |  |  |  |  |  |  |  |  |  |  |  |  |                 |  |  |  |  |  |  |  |  |  |  |  |  |  |  |
|                  |   | Disabled | 0     | Disable  |  |  |  |  |  |  |  |  |  |  |  |  |                 |  |  |  |  |  |  |  |  |  |  |  |  |  |  |
|                  |   | Enabled  | 1     | Enable   |  |  |  |  |  |  |  |  |  |  |  |  |                 |  |  |  |  |  |  |  |  |  |  |  |  |  |  |
| J                | RW PREGION0RA   |          |       | Enable or disable interrupt for event <a href="#">PREGION0RA</a> |  |  |  |  |  |  |  |  |  |  |  |  |                 |  |  |  |  |  |  |  |  |  |  |  |  |  |  |
|                  |   | Disabled | 0     | Disable  |  |  |  |  |  |  |  |  |  |  |  |  |                 |  |  |  |  |  |  |  |  |  |  |  |  |  |  |
|                  |   | Enabled  | 1     | Enable   |  |  |  |  |  |  |  |  |  |  |  |  |                 |  |  |  |  |  |  |  |  |  |  |  |  |  |  |
| K                | RW PREGION1WA   |          |       | Enable or disable interrupt for event <a href="#">PREGION1WA</a> |  |  |  |  |  |  |  |  |  |  |  |  |                 |  |  |  |  |  |  |  |  |  |  |  |  |  |  |
|                  |   | Disabled | 0     | Disable  |  |  |  |  |  |  |  |  |  |  |  |  |                 |  |  |  |  |  |  |  |  |  |  |  |  |  |  |
|                  |   | Enabled  | 1     | Enable   |  |  |  |  |  |  |  |  |  |  |  |  |                 |  |  |  |  |  |  |  |  |  |  |  |  |  |  |
| L                | RW PREGION1RA   |          |       | Enable or disable interrupt for event <a href="#">PREGION1RA</a> |  |  |  |  |  |  |  |  |  |  |  |  |                 |  |  |  |  |  |  |  |  |  |  |  |  |  |  |
|                  |   | Disabled | 0     | Disable  |  |  |  |  |  |  |  |  |  |  |  |  |                 |  |  |  |  |  |  |  |  |  |  |  |  |  |  |
|                  |   | Enabled  | 1     | Enable   |  |  |  |  |  |  |  |  |  |  |  |  |                 |  |  |  |  |  |  |  |  |  |  |  |  |  |  |

### 6.13.1.6 INTENSET

Address offset: 0x304

Enable interrupt

| Bit number       | 31 30 29 28 27 26 25 24 23 22 21 20 19 18 17 16 15 14 13 12 11 10 9 8 7 6 5 4 3 2 1 0 |          |       |   |  |  |  |  |  |  |  |  |  |  |  |  |                 |  |  |  |  |  |  |  |  |  |  |  |  |  |  |
|------------------|---|----------|-------|---|--|--|--|--|--|--|--|--|--|--|--|--|-----------------|--|--|--|--|--|--|--|--|--|--|--|--|--|--|
| ID               | L K J I   |          |       |   |  |  |  |  |  |  |  |  |  |  |  |  | H G F E D C B A |  |  |  |  |  |  |  |  |  |  |  |  |  |  |
| Reset 0x00000000 | 0           |          |       |   |  |  |  |  |  |  |  |  |  |  |  |  |                 |  |  |  |  |  |  |  |  |  |  |  |  |  |  |
| ID               | Acce Field  | Value ID | Value | Description   |  |  |  |  |  |  |  |  |  |  |  |  |                 |  |  |  |  |  |  |  |  |  |  |  |  |  |  |
| A                | RW REGION0WA  |          |       | Write '1' to enable interrupt for event <a href="#">REGION0WA</a> |  |  |  |  |  |  |  |  |  |  |  |  |                 |  |  |  |  |  |  |  |  |  |  |  |  |  |  |
|                  |   | Set      | 1     | Enable  |  |  |  |  |  |  |  |  |  |  |  |  |                 |  |  |  |  |  |  |  |  |  |  |  |  |  |  |
|                  |   | Disabled | 0     | Read: Disabled  |  |  |  |  |  |  |  |  |  |  |  |  |                 |  |  |  |  |  |  |  |  |  |  |  |  |  |  |
|                  |   | Enabled  | 1     | Read: Enabled   |  |  |  |  |  |  |  |  |  |  |  |  |                 |  |  |  |  |  |  |  |  |  |  |  |  |  |  |
| B                | RW REGION0RA  |          |       | Write '1' to enable interrupt for event <a href="#">REGION0RA</a> |  |  |  |  |  |  |  |  |  |  |  |  |                 |  |  |  |  |  |  |  |  |  |  |  |  |  |  |
|                  |   | Set      | 1     | Enable  |  |  |  |  |  |  |  |  |  |  |  |  |                 |  |  |  |  |  |  |  |  |  |  |  |  |  |  |
|                  |   | Disabled | 0     | Read: Disabled  |  |  |  |  |  |  |  |  |  |  |  |  |                 |  |  |  |  |  |  |  |  |  |  |  |  |  |  |
|                  |   | Enabled  | 1     | Read: Enabled   |  |  |  |  |  |  |  |  |  |  |  |  |                 |  |  |  |  |  |  |  |  |  |  |  |  |  |  |
| C                | RW REGION1WA  |          |       | Write '1' to enable interrupt for event <a href="#">REGION1WA</a> |  |  |  |  |  |  |  |  |  |  |  |  |                 |  |  |  |  |  |  |  |  |  |  |  |  |  |  |
|                  |   | Set      | 1     | Enable  |  |  |  |  |  |  |  |  |  |  |  |  |                 |  |  |  |  |  |  |  |  |  |  |  |  |  |  |
|                  |   | Disabled | 0     | Read: Disabled  |  |  |  |  |  |  |  |  |  |  |  |  |                 |  |  |  |  |  |  |  |  |  |  |  |  |  |  |
|                  |   | Enabled  | 1     | Read: Enabled   |  |  |  |  |  |  |  |  |  |  |  |  |                 |  |  |  |  |  |  |  |  |  |  |  |  |  |  |
| D                | RW REGION1RA  |          |       | Write '1' to enable interrupt for event <a href="#">REGION1RA</a> |  |  |  |  |  |  |  |  |  |  |  |  |                 |  |  |  |  |  |  |  |  |  |  |  |  |  |  |
|                  |   | Set      | 1     | Enable  |  |  |  |  |  |  |  |  |  |  |  |  |                 |  |  |  |  |  |  |  |  |  |  |  |  |  |  |
|                  |   | Disabled | 0     | Read: Disabled  |  |  |  |  |  |  |  |  |  |  |  |  |                 |  |  |  |  |  |  |  |  |  |  |  |  |  |  |
|                  |   | Enabled  | 1     | Read: Enabled   |  |  |  |  |  |  |  |  |  |  |  |  |                 |  |  |  |  |  |  |  |  |  |  |  |  |  |  |
| E                | RW REGION2WA  |          |       | Write '1' to enable interrupt for event <a href="#">REGION2WA</a> |  |  |  |  |  |  |  |  |  |  |  |  |                 |  |  |  |  |  |  |  |  |  |  |  |  |  |  |
|                  |   | Set      | 1     | Enable  |  |  |  |  |  |  |  |  |  |  |  |  |                 |  |  |  |  |  |  |  |  |  |  |  |  |  |  |
|                  |   | Disabled | 0     | Read: Disabled  |  |  |  |  |  |  |  |  |  |  |  |  |                 |  |  |  |  |  |  |  |  |  |  |  |  |  |  |
|                  |   | Enabled  | 1     | Read: Enabled   |  |  |  |  |  |  |  |  |  |  |  |  |                 |  |  |  |  |  |  |  |  |  |  |  |  |  |  |
| F                | RW REGION2RA  |          |       | Write '1' to enable interrupt for event <a href="#">REGION2RA</a> |  |  |  |  |  |  |  |  |  |  |  |  |                 |  |  |  |  |  |  |  |  |  |  |  |  |  |  |
|                  |   | Set      | 1     | Enable  |  |  |  |  |  |  |  |  |  |  |  |  |                 |  |  |  |  |  |  |  |  |  |  |  |  |  |  |
|                  |   | Disabled | 0     | Read: Disabled  |  |  |  |  |  |  |  |  |  |  |  |  |                 |  |  |  |  |  |  |  |  |  |  |  |  |  |  |
|                  |   | Enabled  | 1     | Read: Enabled   |  |  |  |  |  |  |  |  |  |  |  |  |                 |  |  |  |  |  |  |  |  |  |  |  |  |  |  |
| G                | RW REGION3WA  |          |       | Write '1' to enable interrupt for event <a href="#">REGION3WA</a> |  |  |  |  |  |  |  |  |  |  |  |  |                 |  |  |  |  |  |  |  |  |  |  |  |  |  |  |
|                  |   | Set      | 1     | Enable  |  |  |  |  |  |  |  |  |  |  |  |  |                 |  |  |  |  |  |  |  |  |  |  |  |  |  |  |

| Bit number       |               | 31 30 29 28 27 26 25 24 23 22 21 20 19 18 17 16 15 14 13 12 11 10 9 8 7 6 5 4 3 2 1 0 |       |  |  |  |  |  |  |  |  |  |  |  |  |  |  |                 |  |  |  |  |  |  |  |  |  |  |  |  |  |  |  |
|------------------|---------------|---|-------|--|--|--|--|--|--|--|--|--|--|--|--|--|--|-----------------|--|--|--|--|--|--|--|--|--|--|--|--|--|--|--|
| ID               |               | L K J I   |       |  |  |  |  |  |  |  |  |  |  |  |  |  |  | H G F E D C B A |  |  |  |  |  |  |  |  |  |  |  |  |  |  |  |
| Reset 0x00000000 |               | 0                   |       |  |  |  |  |  |  |  |  |  |  |  |  |  |  |                 |  |  |  |  |  |  |  |  |  |  |  |  |  |  |  |
| ID               | Acce Field    | Value ID  | Value | Description  |  |  |  |  |  |  |  |  |  |  |  |  |  |                 |  |  |  |  |  |  |  |  |  |  |  |  |  |  |  |
|                  |               | Disabled  | 0     | Read: Disabled   |  |  |  |  |  |  |  |  |  |  |  |  |  |                 |  |  |  |  |  |  |  |  |  |  |  |  |  |  |  |
|                  |               | Enabled   | 1     | Read: Enabled  |  |  |  |  |  |  |  |  |  |  |  |  |  |                 |  |  |  |  |  |  |  |  |  |  |  |  |  |  |  |
| H                | RW REGION3RA  |   |       | Write '1' to enable interrupt for event <a href="#">REGION3RA</a>  |  |  |  |  |  |  |  |  |  |  |  |  |  |                 |  |  |  |  |  |  |  |  |  |  |  |  |  |  |  |
|                  |               | Set   | 1     | Enable   |  |  |  |  |  |  |  |  |  |  |  |  |  |                 |  |  |  |  |  |  |  |  |  |  |  |  |  |  |  |
|                  |               | Disabled  | 0     | Read: Disabled   |  |  |  |  |  |  |  |  |  |  |  |  |  |                 |  |  |  |  |  |  |  |  |  |  |  |  |  |  |  |
|                  |               | Enabled   | 1     | Read: Enabled  |  |  |  |  |  |  |  |  |  |  |  |  |  |                 |  |  |  |  |  |  |  |  |  |  |  |  |  |  |  |
| I                | RW PREGION0WA |   |       | Write '1' to enable interrupt for event <a href="#">PREGION0WA</a> |  |  |  |  |  |  |  |  |  |  |  |  |  |                 |  |  |  |  |  |  |  |  |  |  |  |  |  |  |  |
|                  |               | Set   | 1     | Enable   |  |  |  |  |  |  |  |  |  |  |  |  |  |                 |  |  |  |  |  |  |  |  |  |  |  |  |  |  |  |
|                  |               | Disabled  | 0     | Read: Disabled   |  |  |  |  |  |  |  |  |  |  |  |  |  |                 |  |  |  |  |  |  |  |  |  |  |  |  |  |  |  |
|                  |               | Enabled   | 1     | Read: Enabled  |  |  |  |  |  |  |  |  |  |  |  |  |  |                 |  |  |  |  |  |  |  |  |  |  |  |  |  |  |  |
| J                | RW PREGION0RA |   |       | Write '1' to enable interrupt for event <a href="#">PREGION0RA</a> |  |  |  |  |  |  |  |  |  |  |  |  |  |                 |  |  |  |  |  |  |  |  |  |  |  |  |  |  |  |
|                  |               | Set   | 1     | Enable   |  |  |  |  |  |  |  |  |  |  |  |  |  |                 |  |  |  |  |  |  |  |  |  |  |  |  |  |  |  |
|                  |               | Disabled  | 0     | Read: Disabled   |  |  |  |  |  |  |  |  |  |  |  |  |  |                 |  |  |  |  |  |  |  |  |  |  |  |  |  |  |  |
|                  |               | Enabled   | 1     | Read: Enabled  |  |  |  |  |  |  |  |  |  |  |  |  |  |                 |  |  |  |  |  |  |  |  |  |  |  |  |  |  |  |
| K                | RW PREGION1WA |   |       | Write '1' to enable interrupt for event <a href="#">PREGION1WA</a> |  |  |  |  |  |  |  |  |  |  |  |  |  |                 |  |  |  |  |  |  |  |  |  |  |  |  |  |  |  |
|                  |               | Set   | 1     | Enable   |  |  |  |  |  |  |  |  |  |  |  |  |  |                 |  |  |  |  |  |  |  |  |  |  |  |  |  |  |  |
|                  |               | Disabled  | 0     | Read: Disabled   |  |  |  |  |  |  |  |  |  |  |  |  |  |                 |  |  |  |  |  |  |  |  |  |  |  |  |  |  |  |
|                  |               | Enabled   | 1     | Read: Enabled  |  |  |  |  |  |  |  |  |  |  |  |  |  |                 |  |  |  |  |  |  |  |  |  |  |  |  |  |  |  |
| L                | RW PREGION1RA |   |       | Write '1' to enable interrupt for event <a href="#">PREGION1RA</a> |  |  |  |  |  |  |  |  |  |  |  |  |  |                 |  |  |  |  |  |  |  |  |  |  |  |  |  |  |  |
|                  |               | Set   | 1     | Enable   |  |  |  |  |  |  |  |  |  |  |  |  |  |                 |  |  |  |  |  |  |  |  |  |  |  |  |  |  |  |
|                  |               | Disabled  | 0     | Read: Disabled   |  |  |  |  |  |  |  |  |  |  |  |  |  |                 |  |  |  |  |  |  |  |  |  |  |  |  |  |  |  |
|                  |               | Enabled   | 1     | Read: Enabled  |  |  |  |  |  |  |  |  |  |  |  |  |  |                 |  |  |  |  |  |  |  |  |  |  |  |  |  |  |  |

### 6.13.1.7 INTENCLR

Address offset: 0x308

Disable interrupt

| Bit number       |              | 31 30 29 28 27 26 25 24 23 22 21 20 19 18 17 16 15 14 13 12 11 10 9 8 7 6 5 4 3 2 1 0 |       |  |  |  |  |  |  |  |  |  |  |  |  |  |  |                 |  |  |  |  |  |  |  |  |  |  |  |  |  |  |  |
|------------------|--------------|---|-------|--|--|--|--|--|--|--|--|--|--|--|--|--|--|-----------------|--|--|--|--|--|--|--|--|--|--|--|--|--|--|--|
| ID               |              | L K J I   |       |  |  |  |  |  |  |  |  |  |  |  |  |  |  | H G F E D C B A |  |  |  |  |  |  |  |  |  |  |  |  |  |  |  |
| Reset 0x00000000 |              | 0                   |       |  |  |  |  |  |  |  |  |  |  |  |  |  |  |                 |  |  |  |  |  |  |  |  |  |  |  |  |  |  |  |
| ID               | Acce Field   | Value ID  | Value | Description  |  |  |  |  |  |  |  |  |  |  |  |  |  |                 |  |  |  |  |  |  |  |  |  |  |  |  |  |  |  |
| A                | RW REGION0WA |   |       | Write '1' to disable interrupt for event <a href="#">REGION0WA</a> |  |  |  |  |  |  |  |  |  |  |  |  |  |                 |  |  |  |  |  |  |  |  |  |  |  |  |  |  |  |
|                  |              | Clear   | 1     | Disable  |  |  |  |  |  |  |  |  |  |  |  |  |  |                 |  |  |  |  |  |  |  |  |  |  |  |  |  |  |  |
|                  |              | Disabled  | 0     | Read: Disabled   |  |  |  |  |  |  |  |  |  |  |  |  |  |                 |  |  |  |  |  |  |  |  |  |  |  |  |  |  |  |
|                  |              | Enabled   | 1     | Read: Enabled  |  |  |  |  |  |  |  |  |  |  |  |  |  |                 |  |  |  |  |  |  |  |  |  |  |  |  |  |  |  |
| B                | RW REGION0RA |   |       | Write '1' to disable interrupt for event <a href="#">REGION0RA</a> |  |  |  |  |  |  |  |  |  |  |  |  |  |                 |  |  |  |  |  |  |  |  |  |  |  |  |  |  |  |
|                  |              | Clear   | 1     | Disable  |  |  |  |  |  |  |  |  |  |  |  |  |  |                 |  |  |  |  |  |  |  |  |  |  |  |  |  |  |  |
|                  |              | Disabled  | 0     | Read: Disabled   |  |  |  |  |  |  |  |  |  |  |  |  |  |                 |  |  |  |  |  |  |  |  |  |  |  |  |  |  |  |
|                  |              | Enabled   | 1     | Read: Enabled  |  |  |  |  |  |  |  |  |  |  |  |  |  |                 |  |  |  |  |  |  |  |  |  |  |  |  |  |  |  |
| C                | RW REGION1WA |   |       | Write '1' to disable interrupt for event <a href="#">REGION1WA</a> |  |  |  |  |  |  |  |  |  |  |  |  |  |                 |  |  |  |  |  |  |  |  |  |  |  |  |  |  |  |
|                  |              | Clear   | 1     | Disable  |  |  |  |  |  |  |  |  |  |  |  |  |  |                 |  |  |  |  |  |  |  |  |  |  |  |  |  |  |  |
|                  |              | Disabled  | 0     | Read: Disabled   |  |  |  |  |  |  |  |  |  |  |  |  |  |                 |  |  |  |  |  |  |  |  |  |  |  |  |  |  |  |
|                  |              | Enabled   | 1     | Read: Enabled  |  |  |  |  |  |  |  |  |  |  |  |  |  |                 |  |  |  |  |  |  |  |  |  |  |  |  |  |  |  |
| D                | RW REGION1RA |   |       | Write '1' to disable interrupt for event <a href="#">REGION1RA</a> |  |  |  |  |  |  |  |  |  |  |  |  |  |                 |  |  |  |  |  |  |  |  |  |  |  |  |  |  |  |
|                  |              | Clear   | 1     | Disable  |  |  |  |  |  |  |  |  |  |  |  |  |  |                 |  |  |  |  |  |  |  |  |  |  |  |  |  |  |  |
|                  |              | Disabled  | 0     | Read: Disabled   |  |  |  |  |  |  |  |  |  |  |  |  |  |                 |  |  |  |  |  |  |  |  |  |  |  |  |  |  |  |
|                  |              | Enabled   | 1     | Read: Enabled  |  |  |  |  |  |  |  |  |  |  |  |  |  |                 |  |  |  |  |  |  |  |  |  |  |  |  |  |  |  |
| E                | RW REGION2WA |   |       | Write '1' to disable interrupt for event <a href="#">REGION2WA</a> |  |  |  |  |  |  |  |  |  |  |  |  |  |                 |  |  |  |  |  |  |  |  |  |  |  |  |  |  |  |

| Bit number       | 31 30 29 28 27 26 25 24 23 22 21 20 19 18 17 16 15 14 13 12 11 10 9 8 7 6 5 4 3 2 1 0 |          |       |   |  |  |  |  |  |  |  |  |  |  |  |  |                 |  |  |  |  |  |  |  |  |  |  |  |  |  |  |
|------------------|---|----------|-------|---|--|--|--|--|--|--|--|--|--|--|--|--|-----------------|--|--|--|--|--|--|--|--|--|--|--|--|--|--|
| ID               | L K J I   |          |       |   |  |  |  |  |  |  |  |  |  |  |  |  | H G F E D C B A |  |  |  |  |  |  |  |  |  |  |  |  |  |  |
| Reset 0x00000000 | 0           |          |       |   |  |  |  |  |  |  |  |  |  |  |  |  |                 |  |  |  |  |  |  |  |  |  |  |  |  |  |  |
| ID               | Acce Field  | Value ID | Value | Description   |  |  |  |  |  |  |  |  |  |  |  |  |                 |  |  |  |  |  |  |  |  |  |  |  |  |  |  |
|                  |   | Clear    | 1     | Disable   |  |  |  |  |  |  |  |  |  |  |  |  |                 |  |  |  |  |  |  |  |  |  |  |  |  |  |  |
|                  |   | Disabled | 0     | Read: Disabled  |  |  |  |  |  |  |  |  |  |  |  |  |                 |  |  |  |  |  |  |  |  |  |  |  |  |  |  |
|                  |   | Enabled  | 1     | Read: Enabled   |  |  |  |  |  |  |  |  |  |  |  |  |                 |  |  |  |  |  |  |  |  |  |  |  |  |  |  |
| F                | RW REGION2RA  |          |       | Write '1' to disable interrupt for event <a href="#">REGION2RA</a>  |  |  |  |  |  |  |  |  |  |  |  |  |                 |  |  |  |  |  |  |  |  |  |  |  |  |  |  |
|                  |   | Clear    | 1     | Disable   |  |  |  |  |  |  |  |  |  |  |  |  |                 |  |  |  |  |  |  |  |  |  |  |  |  |  |  |
|                  |   | Disabled | 0     | Read: Disabled  |  |  |  |  |  |  |  |  |  |  |  |  |                 |  |  |  |  |  |  |  |  |  |  |  |  |  |  |
|                  |   | Enabled  | 1     | Read: Enabled   |  |  |  |  |  |  |  |  |  |  |  |  |                 |  |  |  |  |  |  |  |  |  |  |  |  |  |  |
| G                | RW REGION3WA  |          |       | Write '1' to disable interrupt for event <a href="#">REGION3WA</a>  |  |  |  |  |  |  |  |  |  |  |  |  |                 |  |  |  |  |  |  |  |  |  |  |  |  |  |  |
|                  |   | Clear    | 1     | Disable   |  |  |  |  |  |  |  |  |  |  |  |  |                 |  |  |  |  |  |  |  |  |  |  |  |  |  |  |
|                  |   | Disabled | 0     | Read: Disabled  |  |  |  |  |  |  |  |  |  |  |  |  |                 |  |  |  |  |  |  |  |  |  |  |  |  |  |  |
|                  |   | Enabled  | 1     | Read: Enabled   |  |  |  |  |  |  |  |  |  |  |  |  |                 |  |  |  |  |  |  |  |  |  |  |  |  |  |  |
| H                | RW REGION3RA  |          |       | Write '1' to disable interrupt for event <a href="#">REGION3RA</a>  |  |  |  |  |  |  |  |  |  |  |  |  |                 |  |  |  |  |  |  |  |  |  |  |  |  |  |  |
|                  |   | Clear    | 1     | Disable   |  |  |  |  |  |  |  |  |  |  |  |  |                 |  |  |  |  |  |  |  |  |  |  |  |  |  |  |
|                  |   | Disabled | 0     | Read: Disabled  |  |  |  |  |  |  |  |  |  |  |  |  |                 |  |  |  |  |  |  |  |  |  |  |  |  |  |  |
|                  |   | Enabled  | 1     | Read: Enabled   |  |  |  |  |  |  |  |  |  |  |  |  |                 |  |  |  |  |  |  |  |  |  |  |  |  |  |  |
| I                | RW PREGION0WA   |          |       | Write '1' to disable interrupt for event <a href="#">PREGION0WA</a> |  |  |  |  |  |  |  |  |  |  |  |  |                 |  |  |  |  |  |  |  |  |  |  |  |  |  |  |
|                  |   | Clear    | 1     | Disable   |  |  |  |  |  |  |  |  |  |  |  |  |                 |  |  |  |  |  |  |  |  |  |  |  |  |  |  |
|                  |   | Disabled | 0     | Read: Disabled  |  |  |  |  |  |  |  |  |  |  |  |  |                 |  |  |  |  |  |  |  |  |  |  |  |  |  |  |
|                  |   | Enabled  | 1     | Read: Enabled   |  |  |  |  |  |  |  |  |  |  |  |  |                 |  |  |  |  |  |  |  |  |  |  |  |  |  |  |
| J                | RW PREGION0RA   |          |       | Write '1' to disable interrupt for event <a href="#">PREGION0RA</a> |  |  |  |  |  |  |  |  |  |  |  |  |                 |  |  |  |  |  |  |  |  |  |  |  |  |  |  |
|                  |   | Clear    | 1     | Disable   |  |  |  |  |  |  |  |  |  |  |  |  |                 |  |  |  |  |  |  |  |  |  |  |  |  |  |  |
|                  |   | Disabled | 0     | Read: Disabled  |  |  |  |  |  |  |  |  |  |  |  |  |                 |  |  |  |  |  |  |  |  |  |  |  |  |  |  |
|                  |   | Enabled  | 1     | Read: Enabled   |  |  |  |  |  |  |  |  |  |  |  |  |                 |  |  |  |  |  |  |  |  |  |  |  |  |  |  |
| K                | RW PREGION1WA   |          |       | Write '1' to disable interrupt for event <a href="#">PREGION1WA</a> |  |  |  |  |  |  |  |  |  |  |  |  |                 |  |  |  |  |  |  |  |  |  |  |  |  |  |  |
|                  |   | Clear    | 1     | Disable   |  |  |  |  |  |  |  |  |  |  |  |  |                 |  |  |  |  |  |  |  |  |  |  |  |  |  |  |
|                  |   | Disabled | 0     | Read: Disabled  |  |  |  |  |  |  |  |  |  |  |  |  |                 |  |  |  |  |  |  |  |  |  |  |  |  |  |  |
|                  |   | Enabled  | 1     | Read: Enabled   |  |  |  |  |  |  |  |  |  |  |  |  |                 |  |  |  |  |  |  |  |  |  |  |  |  |  |  |
| L                | RW PREGION1RA   |          |       | Write '1' to disable interrupt for event <a href="#">PREGION1RA</a> |  |  |  |  |  |  |  |  |  |  |  |  |                 |  |  |  |  |  |  |  |  |  |  |  |  |  |  |
|                  |   | Clear    | 1     | Disable   |  |  |  |  |  |  |  |  |  |  |  |  |                 |  |  |  |  |  |  |  |  |  |  |  |  |  |  |
|                  |   | Disabled | 0     | Read: Disabled  |  |  |  |  |  |  |  |  |  |  |  |  |                 |  |  |  |  |  |  |  |  |  |  |  |  |  |  |
|                  |   | Enabled  | 1     | Read: Enabled   |  |  |  |  |  |  |  |  |  |  |  |  |                 |  |  |  |  |  |  |  |  |  |  |  |  |  |  |

### 6.13.1.8 NMIEN

Address offset: 0x320

Enable or disable interrupt

| Bit number       | 31 30 29 28 27 26 25 24 23 22 21 20 19 18 17 16 15 14 13 12 11 10 9 8 7 6 5 4 3 2 1 0 |          |       |   |  |  |  |  |  |  |  |  |  |  |  |  |                 |  |  |  |  |  |  |  |  |  |  |  |  |  |  |
|------------------|---|----------|-------|---|--|--|--|--|--|--|--|--|--|--|--|--|-----------------|--|--|--|--|--|--|--|--|--|--|--|--|--|--|
| ID               | L K J I   |          |       |   |  |  |  |  |  |  |  |  |  |  |  |  | H G F E D C B A |  |  |  |  |  |  |  |  |  |  |  |  |  |  |
| Reset 0x00000000 | 0           |          |       |   |  |  |  |  |  |  |  |  |  |  |  |  |                 |  |  |  |  |  |  |  |  |  |  |  |  |  |  |
| ID               | Acce Field  | Value ID | Value | Description   |  |  |  |  |  |  |  |  |  |  |  |  |                 |  |  |  |  |  |  |  |  |  |  |  |  |  |  |
| A                | RW REGION0WA  |          |       | Enable or disable interrupt for event <a href="#">REGION0WA</a> |  |  |  |  |  |  |  |  |  |  |  |  |                 |  |  |  |  |  |  |  |  |  |  |  |  |  |  |
|                  |   | Disabled | 0     | Disable   |  |  |  |  |  |  |  |  |  |  |  |  |                 |  |  |  |  |  |  |  |  |  |  |  |  |  |  |
|                  |   | Enabled  | 1     | Enable  |  |  |  |  |  |  |  |  |  |  |  |  |                 |  |  |  |  |  |  |  |  |  |  |  |  |  |  |
| B                | RW REGION0RA  |          |       | Enable or disable interrupt for event <a href="#">REGION0RA</a> |  |  |  |  |  |  |  |  |  |  |  |  |                 |  |  |  |  |  |  |  |  |  |  |  |  |  |  |
|                  |   | Disabled | 0     | Disable   |  |  |  |  |  |  |  |  |  |  |  |  |                 |  |  |  |  |  |  |  |  |  |  |  |  |  |  |
|                  |   | Enabled  | 1     | Enable  |  |  |  |  |  |  |  |  |  |  |  |  |                 |  |  |  |  |  |  |  |  |  |  |  |  |  |  |
| C                | RW REGION1WA  |          |       | Enable or disable interrupt for event <a href="#">REGION1WA</a> |  |  |  |  |  |  |  |  |  |  |  |  |                 |  |  |  |  |  |  |  |  |  |  |  |  |  |  |
|                  |   | Disabled | 0     | Disable   |  |  |  |  |  |  |  |  |  |  |  |  |                 |  |  |  |  |  |  |  |  |  |  |  |  |  |  |

| Bit number | 31 30 29 28 27 26 25 24 23 22 21 20 19 18 17 16 15 14 13 12 11 10 9 8 7 6 5 4 3 2 1 0 |          |       |  |  |  |  |  |  |  |  |  |  |  |  |  |  |  |  |  |                 |  |  |  |  |  |  |  |  |  |  |
|------------|---|----------|-------|--|--|--|--|--|--|--|--|--|--|--|--|--|--|--|--|--|-----------------|--|--|--|--|--|--|--|--|--|--|
| ID         | L K J I   |          |       |  |  |  |  |  |  |  |  |  |  |  |  |  |  |  |  |  | H G F E D C B A |  |  |  |  |  |  |  |  |  |  |
| Reset      | 0x00000000  |          |       |  |  |  |  |  |  |  |  |  |  |  |  |  |  |  |  |  |                 |  |  |  |  |  |  |  |  |  |  |
| ID         | Acce Field  | Value ID | Value | Description  |  |  |  |  |  |  |  |  |  |  |  |  |  |  |  |  |                 |  |  |  |  |  |  |  |  |  |  |
|            |   | Enabled  | 1     | Enable   |  |  |  |  |  |  |  |  |  |  |  |  |  |  |  |  |                 |  |  |  |  |  |  |  |  |  |  |
| D          | RW REGION1RA  | Enabled  | 1     | Enable or disable interrupt for event <a href="#">REGION1RA</a>  |  |  |  |  |  |  |  |  |  |  |  |  |  |  |  |  |                 |  |  |  |  |  |  |  |  |  |  |
|            |   | Disabled | 0     | Disable  |  |  |  |  |  |  |  |  |  |  |  |  |  |  |  |  |                 |  |  |  |  |  |  |  |  |  |  |
|            |   | Enabled  | 1     | Enable   |  |  |  |  |  |  |  |  |  |  |  |  |  |  |  |  |                 |  |  |  |  |  |  |  |  |  |  |
| E          | RW REGION2WA  | Enabled  | 1     | Enable or disable interrupt for event <a href="#">REGION2WA</a>  |  |  |  |  |  |  |  |  |  |  |  |  |  |  |  |  |                 |  |  |  |  |  |  |  |  |  |  |
|            |   | Disabled | 0     | Disable  |  |  |  |  |  |  |  |  |  |  |  |  |  |  |  |  |                 |  |  |  |  |  |  |  |  |  |  |
|            |   | Enabled  | 1     | Enable   |  |  |  |  |  |  |  |  |  |  |  |  |  |  |  |  |                 |  |  |  |  |  |  |  |  |  |  |
| F          | RW REGION2RA  | Enabled  | 1     | Enable or disable interrupt for event <a href="#">REGION2RA</a>  |  |  |  |  |  |  |  |  |  |  |  |  |  |  |  |  |                 |  |  |  |  |  |  |  |  |  |  |
|            |   | Disabled | 0     | Disable  |  |  |  |  |  |  |  |  |  |  |  |  |  |  |  |  |                 |  |  |  |  |  |  |  |  |  |  |
|            |   | Enabled  | 1     | Enable   |  |  |  |  |  |  |  |  |  |  |  |  |  |  |  |  |                 |  |  |  |  |  |  |  |  |  |  |
| G          | RW REGION3WA  | Enabled  | 1     | Enable or disable interrupt for event <a href="#">REGION3WA</a>  |  |  |  |  |  |  |  |  |  |  |  |  |  |  |  |  |                 |  |  |  |  |  |  |  |  |  |  |
|            |   | Disabled | 0     | Disable  |  |  |  |  |  |  |  |  |  |  |  |  |  |  |  |  |                 |  |  |  |  |  |  |  |  |  |  |
|            |   | Enabled  | 1     | Enable   |  |  |  |  |  |  |  |  |  |  |  |  |  |  |  |  |                 |  |  |  |  |  |  |  |  |  |  |
| H          | RW REGION3RA  | Enabled  | 1     | Enable or disable interrupt for event <a href="#">REGION3RA</a>  |  |  |  |  |  |  |  |  |  |  |  |  |  |  |  |  |                 |  |  |  |  |  |  |  |  |  |  |
|            |   | Disabled | 0     | Disable  |  |  |  |  |  |  |  |  |  |  |  |  |  |  |  |  |                 |  |  |  |  |  |  |  |  |  |  |
|            |   | Enabled  | 1     | Enable   |  |  |  |  |  |  |  |  |  |  |  |  |  |  |  |  |                 |  |  |  |  |  |  |  |  |  |  |
| I          | RW PREGION0WA   | Enabled  | 1     | Enable or disable interrupt for event <a href="#">PREGION0WA</a> |  |  |  |  |  |  |  |  |  |  |  |  |  |  |  |  |                 |  |  |  |  |  |  |  |  |  |  |
|            |   | Disabled | 0     | Disable  |  |  |  |  |  |  |  |  |  |  |  |  |  |  |  |  |                 |  |  |  |  |  |  |  |  |  |  |
|            |   | Enabled  | 1     | Enable   |  |  |  |  |  |  |  |  |  |  |  |  |  |  |  |  |                 |  |  |  |  |  |  |  |  |  |  |
| J          | RW PREGION0RA   | Enabled  | 1     | Enable or disable interrupt for event <a href="#">PREGION0RA</a> |  |  |  |  |  |  |  |  |  |  |  |  |  |  |  |  |                 |  |  |  |  |  |  |  |  |  |  |
|            |   | Disabled | 0     | Disable  |  |  |  |  |  |  |  |  |  |  |  |  |  |  |  |  |                 |  |  |  |  |  |  |  |  |  |  |
|            |   | Enabled  | 1     | Enable   |  |  |  |  |  |  |  |  |  |  |  |  |  |  |  |  |                 |  |  |  |  |  |  |  |  |  |  |
| K          | RW PREGION1WA   | Enabled  | 1     | Enable or disable interrupt for event <a href="#">PREGION1WA</a> |  |  |  |  |  |  |  |  |  |  |  |  |  |  |  |  |                 |  |  |  |  |  |  |  |  |  |  |
|            |   | Disabled | 0     | Disable  |  |  |  |  |  |  |  |  |  |  |  |  |  |  |  |  |                 |  |  |  |  |  |  |  |  |  |  |
|            |   | Enabled  | 1     | Enable   |  |  |  |  |  |  |  |  |  |  |  |  |  |  |  |  |                 |  |  |  |  |  |  |  |  |  |  |
| L          | RW PREGION1RA   | Enabled  | 1     | Enable or disable interrupt for event <a href="#">PREGION1RA</a> |  |  |  |  |  |  |  |  |  |  |  |  |  |  |  |  |                 |  |  |  |  |  |  |  |  |  |  |
|            |   | Disabled | 0     | Disable  |  |  |  |  |  |  |  |  |  |  |  |  |  |  |  |  |                 |  |  |  |  |  |  |  |  |  |  |
|            |   | Enabled  | 1     | Enable   |  |  |  |  |  |  |  |  |  |  |  |  |  |  |  |  |                 |  |  |  |  |  |  |  |  |  |  |

### 6.13.1.9 NMIENSET

Address offset: 0x324

Enable interrupt

| Bit number | 31 30 29 28 27 26 25 24 23 22 21 20 19 18 17 16 15 14 13 12 11 10 9 8 7 6 5 4 3 2 1 0 |          |       |   |  |  |  |  |  |  |  |  |  |  |  |  |  |  |  |  |                 |  |  |  |  |  |  |  |  |  |  |
|------------|---|----------|-------|---|--|--|--|--|--|--|--|--|--|--|--|--|--|--|--|--|-----------------|--|--|--|--|--|--|--|--|--|--|
| ID         | L K J I   |          |       |   |  |  |  |  |  |  |  |  |  |  |  |  |  |  |  |  | H G F E D C B A |  |  |  |  |  |  |  |  |  |  |
| Reset      | 0x00000000  |          |       |   |  |  |  |  |  |  |  |  |  |  |  |  |  |  |  |  |                 |  |  |  |  |  |  |  |  |  |  |
| ID         | Acce Field  | Value ID | Value | Description   |  |  |  |  |  |  |  |  |  |  |  |  |  |  |  |  |                 |  |  |  |  |  |  |  |  |  |  |
| A          | RW REGION0WA  | Set      | 1     | Write '1' to enable interrupt for event <a href="#">REGION0WA</a> |  |  |  |  |  |  |  |  |  |  |  |  |  |  |  |  |                 |  |  |  |  |  |  |  |  |  |  |
|            |   | Disabled | 0     | Read: Disabled  |  |  |  |  |  |  |  |  |  |  |  |  |  |  |  |  |                 |  |  |  |  |  |  |  |  |  |  |
|            |   | Enabled  | 1     | Read: Enabled   |  |  |  |  |  |  |  |  |  |  |  |  |  |  |  |  |                 |  |  |  |  |  |  |  |  |  |  |
| B          | RW REGION0RA  | Set      | 1     | Write '1' to enable interrupt for event <a href="#">REGION0RA</a> |  |  |  |  |  |  |  |  |  |  |  |  |  |  |  |  |                 |  |  |  |  |  |  |  |  |  |  |
|            |   | Disabled | 0     | Read: Disabled  |  |  |  |  |  |  |  |  |  |  |  |  |  |  |  |  |                 |  |  |  |  |  |  |  |  |  |  |
|            |   | Enabled  | 1     | Read: Enabled   |  |  |  |  |  |  |  |  |  |  |  |  |  |  |  |  |                 |  |  |  |  |  |  |  |  |  |  |
| C          | RW REGION1WA  | Set      | 1     | Write '1' to enable interrupt for event <a href="#">REGION1WA</a> |  |  |  |  |  |  |  |  |  |  |  |  |  |  |  |  |                 |  |  |  |  |  |  |  |  |  |  |
|            |   | Disabled | 0     | Read: Disabled  |  |  |  |  |  |  |  |  |  |  |  |  |  |  |  |  |                 |  |  |  |  |  |  |  |  |  |  |

| Bit number       | 31 30 29 28 27 26 25 24 23 22 21 20 19 18 17 16 15 14 13 12 11 10 9 8 7 6 5 4 3 2 1 0 |            |          |       |  |  |  |  |  |  |  |  |  |  |  |  |  |  |  |  |                 |  |  |  |  |  |  |  |  |  |  |
|------------------|---|------------|----------|-------|--|--|--|--|--|--|--|--|--|--|--|--|--|--|--|--|-----------------|--|--|--|--|--|--|--|--|--|--|
| ID               | L K J I   |            |          |       |  |  |  |  |  |  |  |  |  |  |  |  |  |  |  |  | H G F E D C B A |  |  |  |  |  |  |  |  |  |  |
| Reset 0x00000000 | 0             |            |          |       |  |  |  |  |  |  |  |  |  |  |  |  |  |  |  |  |                 |  |  |  |  |  |  |  |  |  |  |
| ID               | Acce  | Field      | Value ID | Value | Description  |  |  |  |  |  |  |  |  |  |  |  |  |  |  |  |                 |  |  |  |  |  |  |  |  |  |  |
|                  |   |            | Enabled  | 1     | Read: Enabled  |  |  |  |  |  |  |  |  |  |  |  |  |  |  |  |                 |  |  |  |  |  |  |  |  |  |  |
| D                | RW  | REGION1RA  | Set      | 1     | Write '1' to enable interrupt for event <a href="#">REGION1RA</a>  |  |  |  |  |  |  |  |  |  |  |  |  |  |  |  |                 |  |  |  |  |  |  |  |  |  |  |
|                  |   |            | Disabled | 0     | Enable   |  |  |  |  |  |  |  |  |  |  |  |  |  |  |  |                 |  |  |  |  |  |  |  |  |  |  |
|                  |   |            | Enabled  | 1     | Read: Disabled   |  |  |  |  |  |  |  |  |  |  |  |  |  |  |  |                 |  |  |  |  |  |  |  |  |  |  |
| E                | RW  | REGION2WA  | Set      | 1     | Write '1' to enable interrupt for event <a href="#">REGION2WA</a>  |  |  |  |  |  |  |  |  |  |  |  |  |  |  |  |                 |  |  |  |  |  |  |  |  |  |  |
|                  |   |            | Disabled | 0     | Enable   |  |  |  |  |  |  |  |  |  |  |  |  |  |  |  |                 |  |  |  |  |  |  |  |  |  |  |
|                  |   |            | Enabled  | 1     | Read: Disabled   |  |  |  |  |  |  |  |  |  |  |  |  |  |  |  |                 |  |  |  |  |  |  |  |  |  |  |
| F                | RW  | REGION2RA  | Set      | 1     | Write '1' to enable interrupt for event <a href="#">REGION2RA</a>  |  |  |  |  |  |  |  |  |  |  |  |  |  |  |  |                 |  |  |  |  |  |  |  |  |  |  |
|                  |   |            | Disabled | 0     | Enable   |  |  |  |  |  |  |  |  |  |  |  |  |  |  |  |                 |  |  |  |  |  |  |  |  |  |  |
|                  |   |            | Enabled  | 1     | Read: Disabled   |  |  |  |  |  |  |  |  |  |  |  |  |  |  |  |                 |  |  |  |  |  |  |  |  |  |  |
| G                | RW  | REGION3WA  | Set      | 1     | Write '1' to enable interrupt for event <a href="#">REGION3WA</a>  |  |  |  |  |  |  |  |  |  |  |  |  |  |  |  |                 |  |  |  |  |  |  |  |  |  |  |
|                  |   |            | Disabled | 0     | Enable   |  |  |  |  |  |  |  |  |  |  |  |  |  |  |  |                 |  |  |  |  |  |  |  |  |  |  |
|                  |   |            | Enabled  | 1     | Read: Disabled   |  |  |  |  |  |  |  |  |  |  |  |  |  |  |  |                 |  |  |  |  |  |  |  |  |  |  |
| H                | RW  | REGION3RA  | Set      | 1     | Write '1' to enable interrupt for event <a href="#">REGION3RA</a>  |  |  |  |  |  |  |  |  |  |  |  |  |  |  |  |                 |  |  |  |  |  |  |  |  |  |  |
|                  |   |            | Disabled | 0     | Enable   |  |  |  |  |  |  |  |  |  |  |  |  |  |  |  |                 |  |  |  |  |  |  |  |  |  |  |
|                  |   |            | Enabled  | 1     | Read: Disabled   |  |  |  |  |  |  |  |  |  |  |  |  |  |  |  |                 |  |  |  |  |  |  |  |  |  |  |
| I                | RW  | PREGION0WA | Set      | 1     | Write '1' to enable interrupt for event <a href="#">PREGION0WA</a> |  |  |  |  |  |  |  |  |  |  |  |  |  |  |  |                 |  |  |  |  |  |  |  |  |  |  |
|                  |   |            | Disabled | 0     | Enable   |  |  |  |  |  |  |  |  |  |  |  |  |  |  |  |                 |  |  |  |  |  |  |  |  |  |  |
|                  |   |            | Enabled  | 1     | Read: Disabled   |  |  |  |  |  |  |  |  |  |  |  |  |  |  |  |                 |  |  |  |  |  |  |  |  |  |  |
| J                | RW  | PREGION0RA | Set      | 1     | Write '1' to enable interrupt for event <a href="#">PREGION0RA</a> |  |  |  |  |  |  |  |  |  |  |  |  |  |  |  |                 |  |  |  |  |  |  |  |  |  |  |
|                  |   |            | Disabled | 0     | Enable   |  |  |  |  |  |  |  |  |  |  |  |  |  |  |  |                 |  |  |  |  |  |  |  |  |  |  |
|                  |   |            | Enabled  | 1     | Read: Disabled   |  |  |  |  |  |  |  |  |  |  |  |  |  |  |  |                 |  |  |  |  |  |  |  |  |  |  |
| K                | RW  | PREGION1WA | Set      | 1     | Write '1' to enable interrupt for event <a href="#">PREGION1WA</a> |  |  |  |  |  |  |  |  |  |  |  |  |  |  |  |                 |  |  |  |  |  |  |  |  |  |  |
|                  |   |            | Disabled | 0     | Enable   |  |  |  |  |  |  |  |  |  |  |  |  |  |  |  |                 |  |  |  |  |  |  |  |  |  |  |
|                  |   |            | Enabled  | 1     | Read: Disabled   |  |  |  |  |  |  |  |  |  |  |  |  |  |  |  |                 |  |  |  |  |  |  |  |  |  |  |
| L                | RW  | PREGION1RA | Set      | 1     | Write '1' to enable interrupt for event <a href="#">PREGION1RA</a> |  |  |  |  |  |  |  |  |  |  |  |  |  |  |  |                 |  |  |  |  |  |  |  |  |  |  |
|                  |   |            | Disabled | 0     | Enable   |  |  |  |  |  |  |  |  |  |  |  |  |  |  |  |                 |  |  |  |  |  |  |  |  |  |  |
|                  |   |            | Enabled  | 1     | Read: Disabled   |  |  |  |  |  |  |  |  |  |  |  |  |  |  |  |                 |  |  |  |  |  |  |  |  |  |  |

### 6.13.1.10 NMIENCLR

Address offset: 0x328

Disable interrupt

| Bit number       | 31 30 29 28 27 26 25 24 23 22 21 20 19 18 17 16 15 14 13 12 11 10 9 8 7 6 5 4 3 2 1 0 |           |          |       |  |  |  |  |  |  |  |  |  |  |  |  |  |  |  |  |                 |  |  |  |  |  |  |  |  |  |  |
|------------------|---|-----------|----------|-------|--|--|--|--|--|--|--|--|--|--|--|--|--|--|--|--|-----------------|--|--|--|--|--|--|--|--|--|--|
| ID               | L K J I   |           |          |       |  |  |  |  |  |  |  |  |  |  |  |  |  |  |  |  | H G F E D C B A |  |  |  |  |  |  |  |  |  |  |
| Reset 0x00000000 | 0             |           |          |       |  |  |  |  |  |  |  |  |  |  |  |  |  |  |  |  |                 |  |  |  |  |  |  |  |  |  |  |
| ID               | Acce  | Field     | Value ID | Value | Description  |  |  |  |  |  |  |  |  |  |  |  |  |  |  |  |                 |  |  |  |  |  |  |  |  |  |  |
| A                | RW  | REGION0WA | Clear    | 1     | Write '1' to disable interrupt for event <a href="#">REGION0WA</a> |  |  |  |  |  |  |  |  |  |  |  |  |  |  |  |                 |  |  |  |  |  |  |  |  |  |  |
|                  |   |           |          |       | Disable  |  |  |  |  |  |  |  |  |  |  |  |  |  |  |  |                 |  |  |  |  |  |  |  |  |  |  |

| Bit number       |               | 31 30 29 28 27 26 25 24 23 22 21 20 19 18 17 16 15 14 13 12 11 10 9 8 7 6 5 4 3 2 1 0 |       |   |  |  |  |  |  |  |  |  |  |  |  |  |  |                 |  |  |  |  |  |  |  |  |  |  |  |
|------------------|---------------|---|-------|---|--|--|--|--|--|--|--|--|--|--|--|--|--|-----------------|--|--|--|--|--|--|--|--|--|--|--|
| ID               |               | L K J I   |       |   |  |  |  |  |  |  |  |  |  |  |  |  |  | H G F E D C B A |  |  |  |  |  |  |  |  |  |  |  |
| Reset 0x00000000 |               | 0                       |       |   |  |  |  |  |  |  |  |  |  |  |  |  |  |                 |  |  |  |  |  |  |  |  |  |  |  |
| ID               | Acce Field    | Value ID  | Value | Description   |  |  |  |  |  |  |  |  |  |  |  |  |  |                 |  |  |  |  |  |  |  |  |  |  |  |
|                  |               | Disabled  | 0     | Read: Disabled  |  |  |  |  |  |  |  |  |  |  |  |  |  |                 |  |  |  |  |  |  |  |  |  |  |  |
|                  |               | Enabled   | 1     | Read: Enabled   |  |  |  |  |  |  |  |  |  |  |  |  |  |                 |  |  |  |  |  |  |  |  |  |  |  |
| B                | RW REGION0RA  |   |       | Write '1' to disable interrupt for event <a href="#">REGION0RA</a>  |  |  |  |  |  |  |  |  |  |  |  |  |  |                 |  |  |  |  |  |  |  |  |  |  |  |
|                  |               | Clear   | 1     | Disable   |  |  |  |  |  |  |  |  |  |  |  |  |  |                 |  |  |  |  |  |  |  |  |  |  |  |
|                  |               | Disabled  | 0     | Read: Disabled  |  |  |  |  |  |  |  |  |  |  |  |  |  |                 |  |  |  |  |  |  |  |  |  |  |  |
|                  |               | Enabled   | 1     | Read: Enabled   |  |  |  |  |  |  |  |  |  |  |  |  |  |                 |  |  |  |  |  |  |  |  |  |  |  |
| C                | RW REGION1WA  |   |       | Write '1' to disable interrupt for event <a href="#">REGION1WA</a>  |  |  |  |  |  |  |  |  |  |  |  |  |  |                 |  |  |  |  |  |  |  |  |  |  |  |
|                  |               | Clear   | 1     | Disable   |  |  |  |  |  |  |  |  |  |  |  |  |  |                 |  |  |  |  |  |  |  |  |  |  |  |
|                  |               | Disabled  | 0     | Read: Disabled  |  |  |  |  |  |  |  |  |  |  |  |  |  |                 |  |  |  |  |  |  |  |  |  |  |  |
|                  |               | Enabled   | 1     | Read: Enabled   |  |  |  |  |  |  |  |  |  |  |  |  |  |                 |  |  |  |  |  |  |  |  |  |  |  |
| D                | RW REGION1RA  |   |       | Write '1' to disable interrupt for event <a href="#">REGION1RA</a>  |  |  |  |  |  |  |  |  |  |  |  |  |  |                 |  |  |  |  |  |  |  |  |  |  |  |
|                  |               | Clear   | 1     | Disable   |  |  |  |  |  |  |  |  |  |  |  |  |  |                 |  |  |  |  |  |  |  |  |  |  |  |
|                  |               | Disabled  | 0     | Read: Disabled  |  |  |  |  |  |  |  |  |  |  |  |  |  |                 |  |  |  |  |  |  |  |  |  |  |  |
|                  |               | Enabled   | 1     | Read: Enabled   |  |  |  |  |  |  |  |  |  |  |  |  |  |                 |  |  |  |  |  |  |  |  |  |  |  |
| E                | RW REGION2WA  |   |       | Write '1' to disable interrupt for event <a href="#">REGION2WA</a>  |  |  |  |  |  |  |  |  |  |  |  |  |  |                 |  |  |  |  |  |  |  |  |  |  |  |
|                  |               | Clear   | 1     | Disable   |  |  |  |  |  |  |  |  |  |  |  |  |  |                 |  |  |  |  |  |  |  |  |  |  |  |
|                  |               | Disabled  | 0     | Read: Disabled  |  |  |  |  |  |  |  |  |  |  |  |  |  |                 |  |  |  |  |  |  |  |  |  |  |  |
|                  |               | Enabled   | 1     | Read: Enabled   |  |  |  |  |  |  |  |  |  |  |  |  |  |                 |  |  |  |  |  |  |  |  |  |  |  |
| F                | RW REGION2RA  |   |       | Write '1' to disable interrupt for event <a href="#">REGION2RA</a>  |  |  |  |  |  |  |  |  |  |  |  |  |  |                 |  |  |  |  |  |  |  |  |  |  |  |
|                  |               | Clear   | 1     | Disable   |  |  |  |  |  |  |  |  |  |  |  |  |  |                 |  |  |  |  |  |  |  |  |  |  |  |
|                  |               | Disabled  | 0     | Read: Disabled  |  |  |  |  |  |  |  |  |  |  |  |  |  |                 |  |  |  |  |  |  |  |  |  |  |  |
|                  |               | Enabled   | 1     | Read: Enabled   |  |  |  |  |  |  |  |  |  |  |  |  |  |                 |  |  |  |  |  |  |  |  |  |  |  |
| G                | RW REGION3WA  |   |       | Write '1' to disable interrupt for event <a href="#">REGION3WA</a>  |  |  |  |  |  |  |  |  |  |  |  |  |  |                 |  |  |  |  |  |  |  |  |  |  |  |
|                  |               | Clear   | 1     | Disable   |  |  |  |  |  |  |  |  |  |  |  |  |  |                 |  |  |  |  |  |  |  |  |  |  |  |
|                  |               | Disabled  | 0     | Read: Disabled  |  |  |  |  |  |  |  |  |  |  |  |  |  |                 |  |  |  |  |  |  |  |  |  |  |  |
|                  |               | Enabled   | 1     | Read: Enabled   |  |  |  |  |  |  |  |  |  |  |  |  |  |                 |  |  |  |  |  |  |  |  |  |  |  |
| H                | RW REGION3RA  |   |       | Write '1' to disable interrupt for event <a href="#">REGION3RA</a>  |  |  |  |  |  |  |  |  |  |  |  |  |  |                 |  |  |  |  |  |  |  |  |  |  |  |
|                  |               | Clear   | 1     | Disable   |  |  |  |  |  |  |  |  |  |  |  |  |  |                 |  |  |  |  |  |  |  |  |  |  |  |
|                  |               | Disabled  | 0     | Read: Disabled  |  |  |  |  |  |  |  |  |  |  |  |  |  |                 |  |  |  |  |  |  |  |  |  |  |  |
|                  |               | Enabled   | 1     | Read: Enabled   |  |  |  |  |  |  |  |  |  |  |  |  |  |                 |  |  |  |  |  |  |  |  |  |  |  |
| I                | RW PREGION0WA |   |       | Write '1' to disable interrupt for event <a href="#">PREGION0WA</a> |  |  |  |  |  |  |  |  |  |  |  |  |  |                 |  |  |  |  |  |  |  |  |  |  |  |
|                  |               | Clear   | 1     | Disable   |  |  |  |  |  |  |  |  |  |  |  |  |  |                 |  |  |  |  |  |  |  |  |  |  |  |
|                  |               | Disabled  | 0     | Read: Disabled  |  |  |  |  |  |  |  |  |  |  |  |  |  |                 |  |  |  |  |  |  |  |  |  |  |  |
|                  |               | Enabled   | 1     | Read: Enabled   |  |  |  |  |  |  |  |  |  |  |  |  |  |                 |  |  |  |  |  |  |  |  |  |  |  |
| J                | RW PREGION0RA |   |       | Write '1' to disable interrupt for event <a href="#">PREGION0RA</a> |  |  |  |  |  |  |  |  |  |  |  |  |  |                 |  |  |  |  |  |  |  |  |  |  |  |
|                  |               | Clear   | 1     | Disable   |  |  |  |  |  |  |  |  |  |  |  |  |  |                 |  |  |  |  |  |  |  |  |  |  |  |
|                  |               | Disabled  | 0     | Read: Disabled  |  |  |  |  |  |  |  |  |  |  |  |  |  |                 |  |  |  |  |  |  |  |  |  |  |  |
|                  |               | Enabled   | 1     | Read: Enabled   |  |  |  |  |  |  |  |  |  |  |  |  |  |                 |  |  |  |  |  |  |  |  |  |  |  |
| K                | RW PREGION1WA |   |       | Write '1' to disable interrupt for event <a href="#">PREGION1WA</a> |  |  |  |  |  |  |  |  |  |  |  |  |  |                 |  |  |  |  |  |  |  |  |  |  |  |
|                  |               | Clear   | 1     | Disable   |  |  |  |  |  |  |  |  |  |  |  |  |  |                 |  |  |  |  |  |  |  |  |  |  |  |
|                  |               | Disabled  | 0     | Read: Disabled  |  |  |  |  |  |  |  |  |  |  |  |  |  |                 |  |  |  |  |  |  |  |  |  |  |  |
|                  |               | Enabled   | 1     | Read: Enabled   |  |  |  |  |  |  |  |  |  |  |  |  |  |                 |  |  |  |  |  |  |  |  |  |  |  |
| L                | RW PREGION1RA |   |       | Write '1' to disable interrupt for event <a href="#">PREGION1RA</a> |  |  |  |  |  |  |  |  |  |  |  |  |  |                 |  |  |  |  |  |  |  |  |  |  |  |
|                  |               | Clear   | 1     | Disable   |  |  |  |  |  |  |  |  |  |  |  |  |  |                 |  |  |  |  |  |  |  |  |  |  |  |
|                  |               | Disabled  | 0     | Read: Disabled  |  |  |  |  |  |  |  |  |  |  |  |  |  |                 |  |  |  |  |  |  |  |  |  |  |  |
|                  |               | Enabled   | 1     | Read: Enabled   |  |  |  |  |  |  |  |  |  |  |  |  |  |                 |  |  |  |  |  |  |  |  |  |  |  |

### 6.13.1.11 PERREGION[n].SUBSTATWA (n=0..1)

Address offset: 0x400 + (n × 0x8)

Source of event/interrupt in region n, write access detected while corresponding subregion was enabled for watching

| Bit number       | 31                 | 30       | 29    | 28   | 27 | 26 | 25 | 24 | 23 | 22 | 21 | 20 | 19 | 18 | 17 | 16 | 15 | 14 | 13 | 12 | 11 | 10 | 9 | 8 | 7 | 6 | 5 | 4 | 3 | 2 | 1 | 0 |
|------------------|--------------------|----------|-------|--|----|----|----|----|----|----|----|----|----|----|----|----|----|----|----|----|----|----|---|---|---|---|---|---|---|---|---|---|
| ID               | f                  | e        | d     | c  | b  | a  | Z  | Y  | X  | W  | V  | U  | T  | S  | R  | Q  | P  | O  | N  | M  | L  | K  | J | I | H | G | F | E | D | C | B | A |
| Reset 0x00000000 | 0                  | 0        | 0     | 0  | 0  | 0  | 0  | 0  | 0  | 0  | 0  | 0  | 0  | 0  | 0  | 0  | 0  | 0  | 0  | 0  | 0  | 0  | 0 | 0 | 0 | 0 | 0 | 0 | 0 | 0 | 0 | 0 |
| ID               | Acce Field         | Value ID | Value | Description                                  |    |    |    |    |    |    |    |    |    |    |    |    |    |    |    |    |    |    |   |   |   |   |   |   |   |   |   |   |
| A-f              | RW SR[i] (i=0..31) |          |       | Subregion i in region n (write '1' to clear) |    |    |    |    |    |    |    |    |    |    |    |    |    |    |    |    |    |    |   |   |   |   |   |   |   |   |   |   |
|                  |                    | NoAccess | 0     | No write access occurred in this subregion   |    |    |    |    |    |    |    |    |    |    |    |    |    |    |    |    |    |    |   |   |   |   |   |   |   |   |   |   |
|                  |                    | Access   | 1     | Write access(es) occurred in this subregion  |    |    |    |    |    |    |    |    |    |    |    |    |    |    |    |    |    |    |   |   |   |   |   |   |   |   |   |   |

### 6.13.1.12 PERREGION[n].SUBSTATRA (n=0..1)

Address offset: 0x404 + (n × 0x8)

Source of event/interrupt in region n, read access detected while corresponding subregion was enabled for watching

| Bit number       | 31                 | 30       | 29    | 28   | 27 | 26 | 25 | 24 | 23 | 22 | 21 | 20 | 19 | 18 | 17 | 16 | 15 | 14 | 13 | 12 | 11 | 10 | 9 | 8 | 7 | 6 | 5 | 4 | 3 | 2 | 1 | 0 |
|------------------|--------------------|----------|-------|--|----|----|----|----|----|----|----|----|----|----|----|----|----|----|----|----|----|----|---|---|---|---|---|---|---|---|---|---|
| ID               | f                  | e        | d     | c  | b  | a  | Z  | Y  | X  | W  | V  | U  | T  | S  | R  | Q  | P  | O  | N  | M  | L  | K  | J | I | H | G | F | E | D | C | B | A |
| Reset 0x00000000 | 0                  | 0        | 0     | 0  | 0  | 0  | 0  | 0  | 0  | 0  | 0  | 0  | 0  | 0  | 0  | 0  | 0  | 0  | 0  | 0  | 0  | 0  | 0 | 0 | 0 | 0 | 0 | 0 | 0 | 0 | 0 | 0 |
| ID               | Acce Field         | Value ID | Value | Description                                  |    |    |    |    |    |    |    |    |    |    |    |    |    |    |    |    |    |    |   |   |   |   |   |   |   |   |   |   |
| A-f              | RW SR[i] (i=0..31) |          |       | Subregion i in region n (write '1' to clear) |    |    |    |    |    |    |    |    |    |    |    |    |    |    |    |    |    |    |   |   |   |   |   |   |   |   |   |   |
|                  |                    | NoAccess | 0     | No read access occurred in this subregion    |    |    |    |    |    |    |    |    |    |    |    |    |    |    |    |    |    |    |   |   |   |   |   |   |   |   |   |   |
|                  |                    | Access   | 1     | Read access(es) occurred in this subregion   |    |    |    |    |    |    |    |    |    |    |    |    |    |    |    |    |    |    |   |   |   |   |   |   |   |   |   |   |

### 6.13.1.13 REGIONEN

Address offset: 0x510

Enable/disable regions watch

| Bit number       | 31         | 30       | 29    | 28   | 27 | 26 | 25 | 24 | 23 | 22 | 21 | 20 | 19 | 18 | 17 | 16 | 15 | 14 | 13 | 12 | 11 | 10 | 9 | 8 | 7 | 6 | 5 | 4 | 3 | 2 | 1 | 0 |  |
|------------------|------------|----------|-------|--|----|----|----|----|----|----|----|----|----|----|----|----|----|----|----|----|----|----|---|---|---|---|---|---|---|---|---|---|--|
| ID               |            |          |       |  |    |    |    |    |    |    |    |    |    |    |    |    |    |    |    |    |    |    |   |   |   |   |   |   |   |   |   |   |  |
| Reset 0x00000000 | 0          | 0        | 0     | 0  | 0  | 0  | 0  | 0  | 0  | 0  | 0  | 0  | 0  | 0  | 0  | 0  | 0  | 0  | 0  | 0  | 0  | 0  | 0 | 0 | 0 | 0 | 0 | 0 | 0 | 0 | 0 | 0 |  |
| ID               | Acce Field | Value ID | Value | Description                                    |    |    |    |    |    |    |    |    |    |    |    |    |    |    |    |    |    |    |   |   |   |   |   |   |   |   |   |   |  |
| A                | RW RGN0WA  |          |       | Enable/disable write access watch in region[0] |    |    |    |    |    |    |    |    |    |    |    |    |    |    |    |    |    |    |   |   |   |   |   |   |   |   |   |   |  |
|                  |            | Disable  | 0     | Disable write access watch in this region      |    |    |    |    |    |    |    |    |    |    |    |    |    |    |    |    |    |    |   |   |   |   |   |   |   |   |   |   |  |
|                  |            | Enable   | 1     | Enable write access watch in this region       |    |    |    |    |    |    |    |    |    |    |    |    |    |    |    |    |    |    |   |   |   |   |   |   |   |   |   |   |  |
| B                | RW RGN0RA  |          |       | Enable/disable read access watch in region[0]  |    |    |    |    |    |    |    |    |    |    |    |    |    |    |    |    |    |    |   |   |   |   |   |   |   |   |   |   |  |
|                  |            | Disable  | 0     | Disable read access watch in this region       |    |    |    |    |    |    |    |    |    |    |    |    |    |    |    |    |    |    |   |   |   |   |   |   |   |   |   |   |  |
|                  |            | Enable   | 1     | Enable read access watch in this region        |    |    |    |    |    |    |    |    |    |    |    |    |    |    |    |    |    |    |   |   |   |   |   |   |   |   |   |   |  |
| C                | RW RGN1WA  |          |       | Enable/disable write access watch in region[1] |    |    |    |    |    |    |    |    |    |    |    |    |    |    |    |    |    |    |   |   |   |   |   |   |   |   |   |   |  |
|                  |            | Disable  | 0     | Disable write access watch in this region      |    |    |    |    |    |    |    |    |    |    |    |    |    |    |    |    |    |    |   |   |   |   |   |   |   |   |   |   |  |
|                  |            | Enable   | 1     | Enable write access watch in this region       |    |    |    |    |    |    |    |    |    |    |    |    |    |    |    |    |    |    |   |   |   |   |   |   |   |   |   |   |  |
| D                | RW RGN1RA  |          |       | Enable/disable read access watch in region[1]  |    |    |    |    |    |    |    |    |    |    |    |    |    |    |    |    |    |    |   |   |   |   |   |   |   |   |   |   |  |
|                  |            | Disable  | 0     | Disable read access watch in this region       |    |    |    |    |    |    |    |    |    |    |    |    |    |    |    |    |    |    |   |   |   |   |   |   |   |   |   |   |  |
|                  |            | Enable   | 1     | Enable read access watch in this region        |    |    |    |    |    |    |    |    |    |    |    |    |    |    |    |    |    |    |   |   |   |   |   |   |   |   |   |   |  |
| E                | RW RGN2WA  |          |       | Enable/disable write access watch in region[2] |    |    |    |    |    |    |    |    |    |    |    |    |    |    |    |    |    |    |   |   |   |   |   |   |   |   |   |   |  |
|                  |            | Disable  | 0     | Disable write access watch in this region      |    |    |    |    |    |    |    |    |    |    |    |    |    |    |    |    |    |    |   |   |   |   |   |   |   |   |   |   |  |
|                  |            | Enable   | 1     | Enable write access watch in this region       |    |    |    |    |    |    |    |    |    |    |    |    |    |    |    |    |    |    |   |   |   |   |   |   |   |   |   |   |  |
| F                | RW RGN2RA  |          |       | Enable/disable read access watch in region[2]  |    |    |    |    |    |    |    |    |    |    |    |    |    |    |    |    |    |    |   |   |   |   |   |   |   |   |   |   |  |
|                  |            | Disable  | 0     | Disable read access watch in this region       |    |    |    |    |    |    |    |    |    |    |    |    |    |    |    |    |    |    |   |   |   |   |   |   |   |   |   |   |  |
|                  |            | Enable   | 1     | Enable read access watch in this region        |    |    |    |    |    |    |    |    |    |    |    |    |    |    |    |    |    |    |   |   |   |   |   |   |   |   |   |   |  |

| Bit number       | 31 30 29 28 27 26 25 24 23 22 21 20 19 18 17 16 15 14 13 12 11 10 9 8 7 6 5 4 3 2 1 0 |          |       |   |  |  |  |  |  |  |  |  |  |  |  |  |                 |  |  |  |  |  |  |  |  |  |  |  |  |  |  |
|------------------|---|----------|-------|---|--|--|--|--|--|--|--|--|--|--|--|--|-----------------|--|--|--|--|--|--|--|--|--|--|--|--|--|--|
| ID               | L K J I   |          |       |   |  |  |  |  |  |  |  |  |  |  |  |  | H G F E D C B A |  |  |  |  |  |  |  |  |  |  |  |  |  |  |
| Reset 0x00000000 | 0           |          |       |   |  |  |  |  |  |  |  |  |  |  |  |  |                 |  |  |  |  |  |  |  |  |  |  |  |  |  |  |
| ID               | Acce Field  | Value ID | Value | Description                                     |  |  |  |  |  |  |  |  |  |  |  |  |                 |  |  |  |  |  |  |  |  |  |  |  |  |  |  |
| G                | RW RGN3WA   |          |       | Enable/disable write access watch in region[3]  |  |  |  |  |  |  |  |  |  |  |  |  |                 |  |  |  |  |  |  |  |  |  |  |  |  |  |  |
|                  |   | Disable  | 0     | Disable write access watch in this region       |  |  |  |  |  |  |  |  |  |  |  |  |                 |  |  |  |  |  |  |  |  |  |  |  |  |  |  |
|                  |   | Enable   | 1     | Enable write access watch in this region        |  |  |  |  |  |  |  |  |  |  |  |  |                 |  |  |  |  |  |  |  |  |  |  |  |  |  |  |
| H                | RW RGN3RA   |          |       | Enable/disable read access watch in region[3]   |  |  |  |  |  |  |  |  |  |  |  |  |                 |  |  |  |  |  |  |  |  |  |  |  |  |  |  |
|                  |   | Disable  | 0     | Disable read access watch in this region        |  |  |  |  |  |  |  |  |  |  |  |  |                 |  |  |  |  |  |  |  |  |  |  |  |  |  |  |
|                  |   | Enable   | 1     | Enable read access watch in this region         |  |  |  |  |  |  |  |  |  |  |  |  |                 |  |  |  |  |  |  |  |  |  |  |  |  |  |  |
| I                | RW PRGN0WA  |          |       | Enable/disable write access watch in PREGION[0] |  |  |  |  |  |  |  |  |  |  |  |  |                 |  |  |  |  |  |  |  |  |  |  |  |  |  |  |
|                  |   | Disable  | 0     | Disable write access watch in this PREGION      |  |  |  |  |  |  |  |  |  |  |  |  |                 |  |  |  |  |  |  |  |  |  |  |  |  |  |  |
|                  |   | Enable   | 1     | Enable write access watch in this PREGION       |  |  |  |  |  |  |  |  |  |  |  |  |                 |  |  |  |  |  |  |  |  |  |  |  |  |  |  |
| J                | RW PRGN0RA  |          |       | Enable/disable read access watch in PREGION[0]  |  |  |  |  |  |  |  |  |  |  |  |  |                 |  |  |  |  |  |  |  |  |  |  |  |  |  |  |
|                  |   | Disable  | 0     | Disable read access watch in this PREGION       |  |  |  |  |  |  |  |  |  |  |  |  |                 |  |  |  |  |  |  |  |  |  |  |  |  |  |  |
|                  |   | Enable   | 1     | Enable read access watch in this PREGION        |  |  |  |  |  |  |  |  |  |  |  |  |                 |  |  |  |  |  |  |  |  |  |  |  |  |  |  |
| K                | RW PRGN1WA  |          |       | Enable/disable write access watch in PREGION[1] |  |  |  |  |  |  |  |  |  |  |  |  |                 |  |  |  |  |  |  |  |  |  |  |  |  |  |  |
|                  |   | Disable  | 0     | Disable write access watch in this PREGION      |  |  |  |  |  |  |  |  |  |  |  |  |                 |  |  |  |  |  |  |  |  |  |  |  |  |  |  |
|                  |   | Enable   | 1     | Enable write access watch in this PREGION       |  |  |  |  |  |  |  |  |  |  |  |  |                 |  |  |  |  |  |  |  |  |  |  |  |  |  |  |
| L                | RW PRGN1RA  |          |       | Enable/disable read access watch in PREGION[1]  |  |  |  |  |  |  |  |  |  |  |  |  |                 |  |  |  |  |  |  |  |  |  |  |  |  |  |  |
|                  |   | Disable  | 0     | Disable read access watch in this PREGION       |  |  |  |  |  |  |  |  |  |  |  |  |                 |  |  |  |  |  |  |  |  |  |  |  |  |  |  |
|                  |   | Enable   | 1     | Enable read access watch in this PREGION        |  |  |  |  |  |  |  |  |  |  |  |  |                 |  |  |  |  |  |  |  |  |  |  |  |  |  |  |

### 6.13.1.14 REGIONENSET

Address offset: 0x514

Enable regions watch

| Bit number       | 31 30 29 28 27 26 25 24 23 22 21 20 19 18 17 16 15 14 13 12 11 10 9 8 7 6 5 4 3 2 1 0 |          |       |   |  |  |  |  |  |  |  |  |  |  |  |  |                 |  |  |  |  |  |  |  |  |  |  |  |  |  |  |
|------------------|---|----------|-------|---|--|--|--|--|--|--|--|--|--|--|--|--|-----------------|--|--|--|--|--|--|--|--|--|--|--|--|--|--|
| ID               | L K J I   |          |       |   |  |  |  |  |  |  |  |  |  |  |  |  | H G F E D C B A |  |  |  |  |  |  |  |  |  |  |  |  |  |  |
| Reset 0x00000000 | 0           |          |       |   |  |  |  |  |  |  |  |  |  |  |  |  |                 |  |  |  |  |  |  |  |  |  |  |  |  |  |  |
| ID               | Acce Field  | Value ID | Value | Description                                   |  |  |  |  |  |  |  |  |  |  |  |  |                 |  |  |  |  |  |  |  |  |  |  |  |  |  |  |
| A                | RW RGN0WA   |          |       | Enable write access watch in region[0]        |  |  |  |  |  |  |  |  |  |  |  |  |                 |  |  |  |  |  |  |  |  |  |  |  |  |  |  |
|                  |   | Set      | 1     | Enable write access watch in this region      |  |  |  |  |  |  |  |  |  |  |  |  |                 |  |  |  |  |  |  |  |  |  |  |  |  |  |  |
|                  |   | Disabled | 0     | Write access watch in this region is disabled |  |  |  |  |  |  |  |  |  |  |  |  |                 |  |  |  |  |  |  |  |  |  |  |  |  |  |  |
|                  |   | Enabled  | 1     | Write access watch in this region is enabled  |  |  |  |  |  |  |  |  |  |  |  |  |                 |  |  |  |  |  |  |  |  |  |  |  |  |  |  |
| B                | RW RGN0RA   |          |       | Enable read access watch in region[0]         |  |  |  |  |  |  |  |  |  |  |  |  |                 |  |  |  |  |  |  |  |  |  |  |  |  |  |  |
|                  |   | Set      | 1     | Enable read access watch in this region       |  |  |  |  |  |  |  |  |  |  |  |  |                 |  |  |  |  |  |  |  |  |  |  |  |  |  |  |
|                  |   | Disabled | 0     | Read access watch in this region is disabled  |  |  |  |  |  |  |  |  |  |  |  |  |                 |  |  |  |  |  |  |  |  |  |  |  |  |  |  |
|                  |   | Enabled  | 1     | Read access watch in this region is enabled   |  |  |  |  |  |  |  |  |  |  |  |  |                 |  |  |  |  |  |  |  |  |  |  |  |  |  |  |
| C                | RW RGN1WA   |          |       | Enable write access watch in region[1]        |  |  |  |  |  |  |  |  |  |  |  |  |                 |  |  |  |  |  |  |  |  |  |  |  |  |  |  |
|                  |   | Set      | 1     | Enable write access watch in this region      |  |  |  |  |  |  |  |  |  |  |  |  |                 |  |  |  |  |  |  |  |  |  |  |  |  |  |  |
|                  |   | Disabled | 0     | Write access watch in this region is disabled |  |  |  |  |  |  |  |  |  |  |  |  |                 |  |  |  |  |  |  |  |  |  |  |  |  |  |  |
|                  |   | Enabled  | 1     | Write access watch in this region is enabled  |  |  |  |  |  |  |  |  |  |  |  |  |                 |  |  |  |  |  |  |  |  |  |  |  |  |  |  |
| D                | RW RGN1RA   |          |       | Enable read access watch in region[1]         |  |  |  |  |  |  |  |  |  |  |  |  |                 |  |  |  |  |  |  |  |  |  |  |  |  |  |  |
|                  |   | Set      | 1     | Enable read access watch in this region       |  |  |  |  |  |  |  |  |  |  |  |  |                 |  |  |  |  |  |  |  |  |  |  |  |  |  |  |
|                  |   | Disabled | 0     | Read access watch in this region is disabled  |  |  |  |  |  |  |  |  |  |  |  |  |                 |  |  |  |  |  |  |  |  |  |  |  |  |  |  |
|                  |   | Enabled  | 1     | Read access watch in this region is enabled   |  |  |  |  |  |  |  |  |  |  |  |  |                 |  |  |  |  |  |  |  |  |  |  |  |  |  |  |
| E                | RW RGN2WA   |          |       | Enable write access watch in region[2]        |  |  |  |  |  |  |  |  |  |  |  |  |                 |  |  |  |  |  |  |  |  |  |  |  |  |  |  |
|                  |   | Set      | 1     | Enable write access watch in this region      |  |  |  |  |  |  |  |  |  |  |  |  |                 |  |  |  |  |  |  |  |  |  |  |  |  |  |  |
|                  |   | Disabled | 0     | Write access watch in this region is disabled |  |  |  |  |  |  |  |  |  |  |  |  |                 |  |  |  |  |  |  |  |  |  |  |  |  |  |  |
|                  |   | Enabled  | 1     | Write access watch in this region is enabled  |  |  |  |  |  |  |  |  |  |  |  |  |                 |  |  |  |  |  |  |  |  |  |  |  |  |  |  |
| F                | RW RGN2RA   |          |       | Enable read access watch in region[2]         |  |  |  |  |  |  |  |  |  |  |  |  |                 |  |  |  |  |  |  |  |  |  |  |  |  |  |  |



| Bit number       | 31 30 29 28 27 26 25 24 23 22 21 20 19 18 17 16 15 14 13 12 11 10 9 8 7 6 5 4 3 2 1 0 |   |            |  |   |   |  |  |  |  |  |  |  |  |  |  |  |  |  |  |                 |  |  |  |  |  |  |  |  |  |  |  |
|------------------|---|---|------------|--|---|---|--|--|--|--|--|--|--|--|--|--|--|--|--|--|-----------------|--|--|--|--|--|--|--|--|--|--|--|
| ID               | L K J I   |   |            |  |   |   |  |  |  |  |  |  |  |  |  |  |  |  |  |  | H G F E D C B A |  |  |  |  |  |  |  |  |  |  |  |
| Reset 0x00000000 |   | 0 |            |  |   |   |  |  |  |  |  |  |  |  |  |  |  |  |  |  |                 |  |  |  |  |  |  |  |  |  |  |  |
| ID               | Acce Field  | Value ID  | Value      | Description                                    |   |   |  |  |  |  |  |  |  |  |  |  |  |  |  |  |                 |  |  |  |  |  |  |  |  |  |  |  |
|                  |   | Set   | 1          | Enable read access watch in this region        |   |   |  |  |  |  |  |  |  |  |  |  |  |  |  |  |                 |  |  |  |  |  |  |  |  |  |  |  |
|                  |   | Disabled  | 0          | Read access watch in this region is disabled   |   |   |  |  |  |  |  |  |  |  |  |  |  |  |  |  |                 |  |  |  |  |  |  |  |  |  |  |  |
|                  |   | Enabled   | 1          | Read access watch in this region is enabled    |   |   |  |  |  |  |  |  |  |  |  |  |  |  |  |  |                 |  |  |  |  |  |  |  |  |  |  |  |
| G                | RW RGN3WA   |   |            | Enable write access watch in region[3]         |   |   |  |  |  |  |  |  |  |  |  |  |  |  |  |  |                 |  |  |  |  |  |  |  |  |  |  |  |
|                  |   | Set   | 1          | Enable write access watch in this region       |   |   |  |  |  |  |  |  |  |  |  |  |  |  |  |  |                 |  |  |  |  |  |  |  |  |  |  |  |
|                  |   | Disabled  | 0          | Write access watch in this region is disabled  |   |   |  |  |  |  |  |  |  |  |  |  |  |  |  |  |                 |  |  |  |  |  |  |  |  |  |  |  |
|                  |   | Enabled   | 1          | Write access watch in this region is enabled   |   |   |  |  |  |  |  |  |  |  |  |  |  |  |  |  |                 |  |  |  |  |  |  |  |  |  |  |  |
|                  |   | H   | RW RGN3RA  |  |   | Enable read access watch in region[3]     |  |  |  |  |  |  |  |  |  |  |  |  |  |  |                 |  |  |  |  |  |  |  |  |  |  |  |
|                  |   |   |            | Set  | 1 | Enable read access watch in this region   |  |  |  |  |  |  |  |  |  |  |  |  |  |  |                 |  |  |  |  |  |  |  |  |  |  |  |
| Disabled         | 0   |   |            | Read access watch in this region is disabled   |   |   |  |  |  |  |  |  |  |  |  |  |  |  |  |  |                 |  |  |  |  |  |  |  |  |  |  |  |
|                  |   | Enabled   | 1          | Read access watch in this region is enabled    |   |   |  |  |  |  |  |  |  |  |  |  |  |  |  |  |                 |  |  |  |  |  |  |  |  |  |  |  |
|                  |   | I   | RW PRGNOWA |  |   | Enable write access watch in PREGION[0]   |  |  |  |  |  |  |  |  |  |  |  |  |  |  |                 |  |  |  |  |  |  |  |  |  |  |  |
|                  |   |   |            | Set  | 1 | Enable write access watch in this PREGION |  |  |  |  |  |  |  |  |  |  |  |  |  |  |                 |  |  |  |  |  |  |  |  |  |  |  |
| Disabled         | 0   |   |            | Write access watch in this PREGION is disabled |   |   |  |  |  |  |  |  |  |  |  |  |  |  |  |  |                 |  |  |  |  |  |  |  |  |  |  |  |
|                  |   | Enabled   | 1          | Write access watch in this PREGION is enabled  |   |   |  |  |  |  |  |  |  |  |  |  |  |  |  |  |                 |  |  |  |  |  |  |  |  |  |  |  |
|                  |   | J   | RW PRGNORA |  |   | Enable read access watch in PREGION[0]    |  |  |  |  |  |  |  |  |  |  |  |  |  |  |                 |  |  |  |  |  |  |  |  |  |  |  |
|                  |   |   |            | Set  | 1 | Enable read access watch in this PREGION  |  |  |  |  |  |  |  |  |  |  |  |  |  |  |                 |  |  |  |  |  |  |  |  |  |  |  |
| Disabled         | 0   |   |            | Read access watch in this PREGION is disabled  |   |   |  |  |  |  |  |  |  |  |  |  |  |  |  |  |                 |  |  |  |  |  |  |  |  |  |  |  |
|                  |   | Enabled   | 1          | Read access watch in this PREGION is enabled   |   |   |  |  |  |  |  |  |  |  |  |  |  |  |  |  |                 |  |  |  |  |  |  |  |  |  |  |  |
|                  |   | K   | RW PRGN1WA |  |   | Enable write access watch in PREGION[1]   |  |  |  |  |  |  |  |  |  |  |  |  |  |  |                 |  |  |  |  |  |  |  |  |  |  |  |
|                  |   |   |            | Set  | 1 | Enable write access watch in this PREGION |  |  |  |  |  |  |  |  |  |  |  |  |  |  |                 |  |  |  |  |  |  |  |  |  |  |  |
| Disabled         | 0   |   |            | Write access watch in this PREGION is disabled |   |   |  |  |  |  |  |  |  |  |  |  |  |  |  |  |                 |  |  |  |  |  |  |  |  |  |  |  |
|                  |   | Enabled   | 1          | Write access watch in this PREGION is enabled  |   |   |  |  |  |  |  |  |  |  |  |  |  |  |  |  |                 |  |  |  |  |  |  |  |  |  |  |  |
|                  |   | L   | RW PRGN1RA |  |   | Enable read access watch in PREGION[1]    |  |  |  |  |  |  |  |  |  |  |  |  |  |  |                 |  |  |  |  |  |  |  |  |  |  |  |
|                  |   |   |            | Set  | 1 | Enable read access watch in this PREGION  |  |  |  |  |  |  |  |  |  |  |  |  |  |  |                 |  |  |  |  |  |  |  |  |  |  |  |
| Disabled         | 0   |   |            | Read access watch in this PREGION is disabled  |   |   |  |  |  |  |  |  |  |  |  |  |  |  |  |  |                 |  |  |  |  |  |  |  |  |  |  |  |
|                  |   | Enabled   | 1          | Read access watch in this PREGION is enabled   |   |   |  |  |  |  |  |  |  |  |  |  |  |  |  |  |                 |  |  |  |  |  |  |  |  |  |  |  |

### 6.13.1.15 REGIONENCLR

Address offset: 0x518

Disable regions watch

| Bit number       | 31 30 29 28 27 26 25 24 23 22 21 20 19 18 17 16 15 14 13 12 11 10 9 8 7 6 5 4 3 2 1 0 |   |           |   |   |   |  |  |  |  |  |  |  |  |  |  |  |  |  |  |                 |  |  |  |  |  |  |  |  |  |  |  |
|------------------|---|---|-----------|---|---|---|--|--|--|--|--|--|--|--|--|--|--|--|--|--|-----------------|--|--|--|--|--|--|--|--|--|--|--|
| ID               | L K J I   |   |           |   |   |   |  |  |  |  |  |  |  |  |  |  |  |  |  |  | H G F E D C B A |  |  |  |  |  |  |  |  |  |  |  |
| Reset 0x00000000 |   | 0 |           |   |   |   |  |  |  |  |  |  |  |  |  |  |  |  |  |  |                 |  |  |  |  |  |  |  |  |  |  |  |
| ID               | Acce Field  | Value ID  | Value     | Description                                   |   |   |  |  |  |  |  |  |  |  |  |  |  |  |  |  |                 |  |  |  |  |  |  |  |  |  |  |  |
| A                | RW RGN0WA   |   |           | Disable write access watch in region[0]       |   |   |  |  |  |  |  |  |  |  |  |  |  |  |  |  |                 |  |  |  |  |  |  |  |  |  |  |  |
|                  |   | Clear   | 1         | Disable write access watch in this region     |   |   |  |  |  |  |  |  |  |  |  |  |  |  |  |  |                 |  |  |  |  |  |  |  |  |  |  |  |
|                  |   | Disabled  | 0         | Write access watch in this region is disabled |   |   |  |  |  |  |  |  |  |  |  |  |  |  |  |  |                 |  |  |  |  |  |  |  |  |  |  |  |
|                  |   | Enabled   | 1         | Write access watch in this region is enabled  |   |   |  |  |  |  |  |  |  |  |  |  |  |  |  |  |                 |  |  |  |  |  |  |  |  |  |  |  |
|                  |   | B   | RW RGN0RA |   |   | Disable read access watch in region[0]    |  |  |  |  |  |  |  |  |  |  |  |  |  |  |                 |  |  |  |  |  |  |  |  |  |  |  |
|                  |   |   |           | Clear   | 1 | Disable read access watch in this region  |  |  |  |  |  |  |  |  |  |  |  |  |  |  |                 |  |  |  |  |  |  |  |  |  |  |  |
| Disabled         | 0   |   |           | Read access watch in this region is disabled  |   |   |  |  |  |  |  |  |  |  |  |  |  |  |  |  |                 |  |  |  |  |  |  |  |  |  |  |  |
|                  |   | Enabled   | 1         | Read access watch in this region is enabled   |   |   |  |  |  |  |  |  |  |  |  |  |  |  |  |  |                 |  |  |  |  |  |  |  |  |  |  |  |
|                  |   | C   | RW RGN1WA |   |   | Disable write access watch in region[1]   |  |  |  |  |  |  |  |  |  |  |  |  |  |  |                 |  |  |  |  |  |  |  |  |  |  |  |
|                  |   |   |           | Clear   | 1 | Disable write access watch in this region |  |  |  |  |  |  |  |  |  |  |  |  |  |  |                 |  |  |  |  |  |  |  |  |  |  |  |
| Disabled         | 0   |   |           | Write access watch in this region is disabled |   |   |  |  |  |  |  |  |  |  |  |  |  |  |  |  |                 |  |  |  |  |  |  |  |  |  |  |  |
|                  |   | Enabled   | 1         | Write access watch in this region is enabled  |   |   |  |  |  |  |  |  |  |  |  |  |  |  |  |  |                 |  |  |  |  |  |  |  |  |  |  |  |

| Bit number       | 31 30 29 28 27 26 25 24 23 22 21 20 19 18 17 16 15 14 13 12 11 10 9 8 7 6 5 4 3 2 1 0 |          |       |  |  |  |  |  |  |  |  |  |  |  |  |                 |  |  |  |  |  |  |  |  |  |  |  |  |  |  |  |
|------------------|---|----------|-------|--|--|--|--|--|--|--|--|--|--|--|--|-----------------|--|--|--|--|--|--|--|--|--|--|--|--|--|--|--|
| ID               | L K J I   |          |       |  |  |  |  |  |  |  |  |  |  |  |  | H G F E D C B A |  |  |  |  |  |  |  |  |  |  |  |  |  |  |  |
| Reset 0x00000000 | 0           |          |       |  |  |  |  |  |  |  |  |  |  |  |  |                 |  |  |  |  |  |  |  |  |  |  |  |  |  |  |  |
| ID               | Acce Field  | Value ID | Value | Description                                    |  |  |  |  |  |  |  |  |  |  |  |                 |  |  |  |  |  |  |  |  |  |  |  |  |  |  |  |
| D                | RW RGN1RA   |          |       | Disable read access watch in region[1]         |  |  |  |  |  |  |  |  |  |  |  |                 |  |  |  |  |  |  |  |  |  |  |  |  |  |  |  |
|                  |   | Clear    | 1     | Disable read access watch in this region       |  |  |  |  |  |  |  |  |  |  |  |                 |  |  |  |  |  |  |  |  |  |  |  |  |  |  |  |
|                  |   | Disabled | 0     | Read access watch in this region is disabled   |  |  |  |  |  |  |  |  |  |  |  |                 |  |  |  |  |  |  |  |  |  |  |  |  |  |  |  |
|                  |   | Enabled  | 1     | Read access watch in this region is enabled    |  |  |  |  |  |  |  |  |  |  |  |                 |  |  |  |  |  |  |  |  |  |  |  |  |  |  |  |
| E                | RW RGN2WA   |          |       | Disable write access watch in region[2]        |  |  |  |  |  |  |  |  |  |  |  |                 |  |  |  |  |  |  |  |  |  |  |  |  |  |  |  |
|                  |   | Clear    | 1     | Disable write access watch in this region      |  |  |  |  |  |  |  |  |  |  |  |                 |  |  |  |  |  |  |  |  |  |  |  |  |  |  |  |
|                  |   | Disabled | 0     | Write access watch in this region is disabled  |  |  |  |  |  |  |  |  |  |  |  |                 |  |  |  |  |  |  |  |  |  |  |  |  |  |  |  |
|                  |   | Enabled  | 1     | Write access watch in this region is enabled   |  |  |  |  |  |  |  |  |  |  |  |                 |  |  |  |  |  |  |  |  |  |  |  |  |  |  |  |
| F                | RW RGN2RA   |          |       | Disable read access watch in region[2]         |  |  |  |  |  |  |  |  |  |  |  |                 |  |  |  |  |  |  |  |  |  |  |  |  |  |  |  |
|                  |   | Clear    | 1     | Disable read access watch in this region       |  |  |  |  |  |  |  |  |  |  |  |                 |  |  |  |  |  |  |  |  |  |  |  |  |  |  |  |
|                  |   | Disabled | 0     | Read access watch in this region is disabled   |  |  |  |  |  |  |  |  |  |  |  |                 |  |  |  |  |  |  |  |  |  |  |  |  |  |  |  |
|                  |   | Enabled  | 1     | Read access watch in this region is enabled    |  |  |  |  |  |  |  |  |  |  |  |                 |  |  |  |  |  |  |  |  |  |  |  |  |  |  |  |
| G                | RW RGN3WA   |          |       | Disable write access watch in region[3]        |  |  |  |  |  |  |  |  |  |  |  |                 |  |  |  |  |  |  |  |  |  |  |  |  |  |  |  |
|                  |   | Clear    | 1     | Disable write access watch in this region      |  |  |  |  |  |  |  |  |  |  |  |                 |  |  |  |  |  |  |  |  |  |  |  |  |  |  |  |
|                  |   | Disabled | 0     | Write access watch in this region is disabled  |  |  |  |  |  |  |  |  |  |  |  |                 |  |  |  |  |  |  |  |  |  |  |  |  |  |  |  |
|                  |   | Enabled  | 1     | Write access watch in this region is enabled   |  |  |  |  |  |  |  |  |  |  |  |                 |  |  |  |  |  |  |  |  |  |  |  |  |  |  |  |
| H                | RW RGN3RA   |          |       | Disable read access watch in region[3]         |  |  |  |  |  |  |  |  |  |  |  |                 |  |  |  |  |  |  |  |  |  |  |  |  |  |  |  |
|                  |   | Clear    | 1     | Disable read access watch in this region       |  |  |  |  |  |  |  |  |  |  |  |                 |  |  |  |  |  |  |  |  |  |  |  |  |  |  |  |
|                  |   | Disabled | 0     | Read access watch in this region is disabled   |  |  |  |  |  |  |  |  |  |  |  |                 |  |  |  |  |  |  |  |  |  |  |  |  |  |  |  |
|                  |   | Enabled  | 1     | Read access watch in this region is enabled    |  |  |  |  |  |  |  |  |  |  |  |                 |  |  |  |  |  |  |  |  |  |  |  |  |  |  |  |
| I                | RW PRGNOWA  |          |       | Disable write access watch in PREGION[0]       |  |  |  |  |  |  |  |  |  |  |  |                 |  |  |  |  |  |  |  |  |  |  |  |  |  |  |  |
|                  |   | Clear    | 1     | Disable write access watch in this PREGION     |  |  |  |  |  |  |  |  |  |  |  |                 |  |  |  |  |  |  |  |  |  |  |  |  |  |  |  |
|                  |   | Disabled | 0     | Write access watch in this PREGION is disabled |  |  |  |  |  |  |  |  |  |  |  |                 |  |  |  |  |  |  |  |  |  |  |  |  |  |  |  |
|                  |   | Enabled  | 1     | Write access watch in this PREGION is enabled  |  |  |  |  |  |  |  |  |  |  |  |                 |  |  |  |  |  |  |  |  |  |  |  |  |  |  |  |
| J                | RW PRGNORA  |          |       | Disable read access watch in PREGION[0]        |  |  |  |  |  |  |  |  |  |  |  |                 |  |  |  |  |  |  |  |  |  |  |  |  |  |  |  |
|                  |   | Clear    | 1     | Disable read access watch in this PREGION      |  |  |  |  |  |  |  |  |  |  |  |                 |  |  |  |  |  |  |  |  |  |  |  |  |  |  |  |
|                  |   | Disabled | 0     | Read access watch in this PREGION is disabled  |  |  |  |  |  |  |  |  |  |  |  |                 |  |  |  |  |  |  |  |  |  |  |  |  |  |  |  |
|                  |   | Enabled  | 1     | Read access watch in this PREGION is enabled   |  |  |  |  |  |  |  |  |  |  |  |                 |  |  |  |  |  |  |  |  |  |  |  |  |  |  |  |
| K                | RW PRGN1WA  |          |       | Disable write access watch in PREGION[1]       |  |  |  |  |  |  |  |  |  |  |  |                 |  |  |  |  |  |  |  |  |  |  |  |  |  |  |  |
|                  |   | Clear    | 1     | Disable write access watch in this PREGION     |  |  |  |  |  |  |  |  |  |  |  |                 |  |  |  |  |  |  |  |  |  |  |  |  |  |  |  |
|                  |   | Disabled | 0     | Write access watch in this PREGION is disabled |  |  |  |  |  |  |  |  |  |  |  |                 |  |  |  |  |  |  |  |  |  |  |  |  |  |  |  |
|                  |   | Enabled  | 1     | Write access watch in this PREGION is enabled  |  |  |  |  |  |  |  |  |  |  |  |                 |  |  |  |  |  |  |  |  |  |  |  |  |  |  |  |
| L                | RW PRGN1RA  |          |       | Disable read access watch in PREGION[1]        |  |  |  |  |  |  |  |  |  |  |  |                 |  |  |  |  |  |  |  |  |  |  |  |  |  |  |  |
|                  |   | Clear    | 1     | Disable read access watch in this PREGION      |  |  |  |  |  |  |  |  |  |  |  |                 |  |  |  |  |  |  |  |  |  |  |  |  |  |  |  |
|                  |   | Disabled | 0     | Read access watch in this PREGION is disabled  |  |  |  |  |  |  |  |  |  |  |  |                 |  |  |  |  |  |  |  |  |  |  |  |  |  |  |  |
|                  |   | Enabled  | 1     | Read access watch in this PREGION is enabled   |  |  |  |  |  |  |  |  |  |  |  |                 |  |  |  |  |  |  |  |  |  |  |  |  |  |  |  |

### 6.13.1.16 REGION[n].START (n=0..3)

Address offset:  $0x600 + (n \times 0x10)$

Start address for region n

| Bit number       | 31 30 29 28 27 26 25 24 23 22 21 20 19 18 17 16 15 14 13 12 11 10 9 8 7 6 5 4 3 2 1 0 |          |       |                          |  |  |  |  |  |  |  |  |  |  |  |                 |  |  |  |  |  |  |  |  |  |  |  |  |  |  |  |
|------------------|---|----------|-------|--------------------------|--|--|--|--|--|--|--|--|--|--|--|-----------------|--|--|--|--|--|--|--|--|--|--|--|--|--|--|--|
| ID               | A                           |          |       |                          |  |  |  |  |  |  |  |  |  |  |  | H G F E D C B A |  |  |  |  |  |  |  |  |  |  |  |  |  |  |  |
| Reset 0x00000000 | 0           |          |       |                          |  |  |  |  |  |  |  |  |  |  |  |                 |  |  |  |  |  |  |  |  |  |  |  |  |  |  |  |
| ID               | Acce Field  | Value ID | Value | Description              |  |  |  |  |  |  |  |  |  |  |  |                 |  |  |  |  |  |  |  |  |  |  |  |  |  |  |  |
| A                | RW START  |          |       | Start address for region |  |  |  |  |  |  |  |  |  |  |  |                 |  |  |  |  |  |  |  |  |  |  |  |  |  |  |  |

### 6.13.1.17 REGION[n].END (n=0..3)

Address offset:  $0x604 + (n \times 0x10)$

End address of region n

|                  |   |          |       |                        |  |  |  |  |  |  |  |  |  |  |  |  |  |  |  |  |  |  |  |  |  |  |  |  |  |  |  |  |
|------------------|---|----------|-------|------------------------|--|--|--|--|--|--|--|--|--|--|--|--|--|--|--|--|--|--|--|--|--|--|--|--|--|--|--|--|
| Bit number       | 31 30 29 28 27 26 25 24 23 22 21 20 19 18 17 16 15 14 13 12 11 10 9 8 7 6 5 4 3 2 1 0 |          |       |                        |  |  |  |  |  |  |  |  |  |  |  |  |  |  |  |  |  |  |  |  |  |  |  |  |  |  |  |  |
| ID               | A           |          |       |                        |  |  |  |  |  |  |  |  |  |  |  |  |  |  |  |  |  |  |  |  |  |  |  |  |  |  |  |  |
| Reset 0x00000000 | 0                   |          |       |                        |  |  |  |  |  |  |  |  |  |  |  |  |  |  |  |  |  |  |  |  |  |  |  |  |  |  |  |  |
| ID               | Acce Field  | Value ID | Value | Description            |  |  |  |  |  |  |  |  |  |  |  |  |  |  |  |  |  |  |  |  |  |  |  |  |  |  |  |  |
| A                | RW  | END      |       | End address of region. |  |  |  |  |  |  |  |  |  |  |  |  |  |  |  |  |  |  |  |  |  |  |  |  |  |  |  |  |

### 6.13.1.18 PREGION[n].START (n=0..1)

Address offset:  $0x6C0 + (n \times 0x10)$

Reserved for future use

|                  |   |          |       |                         |  |  |  |  |  |  |  |  |  |  |  |  |  |  |  |  |  |  |  |  |  |  |  |  |  |  |  |  |
|------------------|---|----------|-------|-------------------------|--|--|--|--|--|--|--|--|--|--|--|--|--|--|--|--|--|--|--|--|--|--|--|--|--|--|--|--|
| Bit number       | 31 30 29 28 27 26 25 24 23 22 21 20 19 18 17 16 15 14 13 12 11 10 9 8 7 6 5 4 3 2 1 0 |          |       |                         |  |  |  |  |  |  |  |  |  |  |  |  |  |  |  |  |  |  |  |  |  |  |  |  |  |  |  |  |
| ID               | A           |          |       |                         |  |  |  |  |  |  |  |  |  |  |  |  |  |  |  |  |  |  |  |  |  |  |  |  |  |  |  |  |
| Reset 0x00000000 | 0                   |          |       |                         |  |  |  |  |  |  |  |  |  |  |  |  |  |  |  |  |  |  |  |  |  |  |  |  |  |  |  |  |
| ID               | Acce Field  | Value ID | Value | Description             |  |  |  |  |  |  |  |  |  |  |  |  |  |  |  |  |  |  |  |  |  |  |  |  |  |  |  |  |
| A                | R   | START    |       | Reserved for future use |  |  |  |  |  |  |  |  |  |  |  |  |  |  |  |  |  |  |  |  |  |  |  |  |  |  |  |  |

### 6.13.1.19 PREGION[n].END (n=0..1)

Address offset:  $0x6C4 + (n \times 0x10)$

Reserved for future use

|                  |   |          |       |                         |  |  |  |  |  |  |  |  |  |  |  |  |  |  |  |  |  |  |  |  |  |  |  |  |  |  |  |  |
|------------------|---|----------|-------|-------------------------|--|--|--|--|--|--|--|--|--|--|--|--|--|--|--|--|--|--|--|--|--|--|--|--|--|--|--|--|
| Bit number       | 31 30 29 28 27 26 25 24 23 22 21 20 19 18 17 16 15 14 13 12 11 10 9 8 7 6 5 4 3 2 1 0 |          |       |                         |  |  |  |  |  |  |  |  |  |  |  |  |  |  |  |  |  |  |  |  |  |  |  |  |  |  |  |  |
| ID               | A           |          |       |                         |  |  |  |  |  |  |  |  |  |  |  |  |  |  |  |  |  |  |  |  |  |  |  |  |  |  |  |  |
| Reset 0x00000000 | 0                   |          |       |                         |  |  |  |  |  |  |  |  |  |  |  |  |  |  |  |  |  |  |  |  |  |  |  |  |  |  |  |  |
| ID               | Acce Field  | Value ID | Value | Description             |  |  |  |  |  |  |  |  |  |  |  |  |  |  |  |  |  |  |  |  |  |  |  |  |  |  |  |  |
| A                | R   | END      |       | Reserved for future use |  |  |  |  |  |  |  |  |  |  |  |  |  |  |  |  |  |  |  |  |  |  |  |  |  |  |  |  |

### 6.13.1.20 PREGION[n].SUBS (n=0..1)

Address offset:  $0x6C8 + (n \times 0x10)$

Subregions of region n

|                  |   |                 |       |  |  |  |  |  |  |  |  |  |  |  |  |  |  |  |  |  |  |  |  |  |  |  |  |  |  |  |  |  |
|------------------|---|-----------------|-------|--|--|--|--|--|--|--|--|--|--|--|--|--|--|--|--|--|--|--|--|--|--|--|--|--|--|--|--|--|
| Bit number       | 31 30 29 28 27 26 25 24 23 22 21 20 19 18 17 16 15 14 13 12 11 10 9 8 7 6 5 4 3 2 1 0 |                 |       |  |  |  |  |  |  |  |  |  |  |  |  |  |  |  |  |  |  |  |  |  |  |  |  |  |  |  |  |  |
| ID               | f e d c b a Z Y X W V U T S R Q P O N M L K J I H G F E D C B A                       |                 |       |  |  |  |  |  |  |  |  |  |  |  |  |  |  |  |  |  |  |  |  |  |  |  |  |  |  |  |  |  |
| Reset 0x00000000 | 0                   |                 |       |  |  |  |  |  |  |  |  |  |  |  |  |  |  |  |  |  |  |  |  |  |  |  |  |  |  |  |  |  |
| ID               | Acce Field  | Value ID        | Value | Description                              |  |  |  |  |  |  |  |  |  |  |  |  |  |  |  |  |  |  |  |  |  |  |  |  |  |  |  |  |
| A-f              | RW  | SR[i] (i=0..31) |       | Include or exclude subregion i in region |  |  |  |  |  |  |  |  |  |  |  |  |  |  |  |  |  |  |  |  |  |  |  |  |  |  |  |  |
|                  |   | Exclude         | 0     | Exclude                                  |  |  |  |  |  |  |  |  |  |  |  |  |  |  |  |  |  |  |  |  |  |  |  |  |  |  |  |  |
|                  |   | Include         | 1     | Include                                  |  |  |  |  |  |  |  |  |  |  |  |  |  |  |  |  |  |  |  |  |  |  |  |  |  |  |  |  |

## 6.14 NFCT — Near field communication tag

The NFCT peripheral is an implementation of an NFC Forum compliant listening device NFC-A.

With appropriate software, the NFCT peripheral can be used as the listening device NFC-A as specified by the [NFC Forum](#).

Listed here are the main features for the NFCT peripheral:

- NFC-A listen mode operation
  - 13.56 MHz input frequency
  - Bit rate 106 kbps
- Wake-on-field low power field detection (SENSE) mode
- Frame assemble and disassemble for the NFC-A frames specified by the NFC Forum
- Programmable frame timing controller
- Integrated automatic collision resolution, cyclic redundancy check (CRC), and parity functions

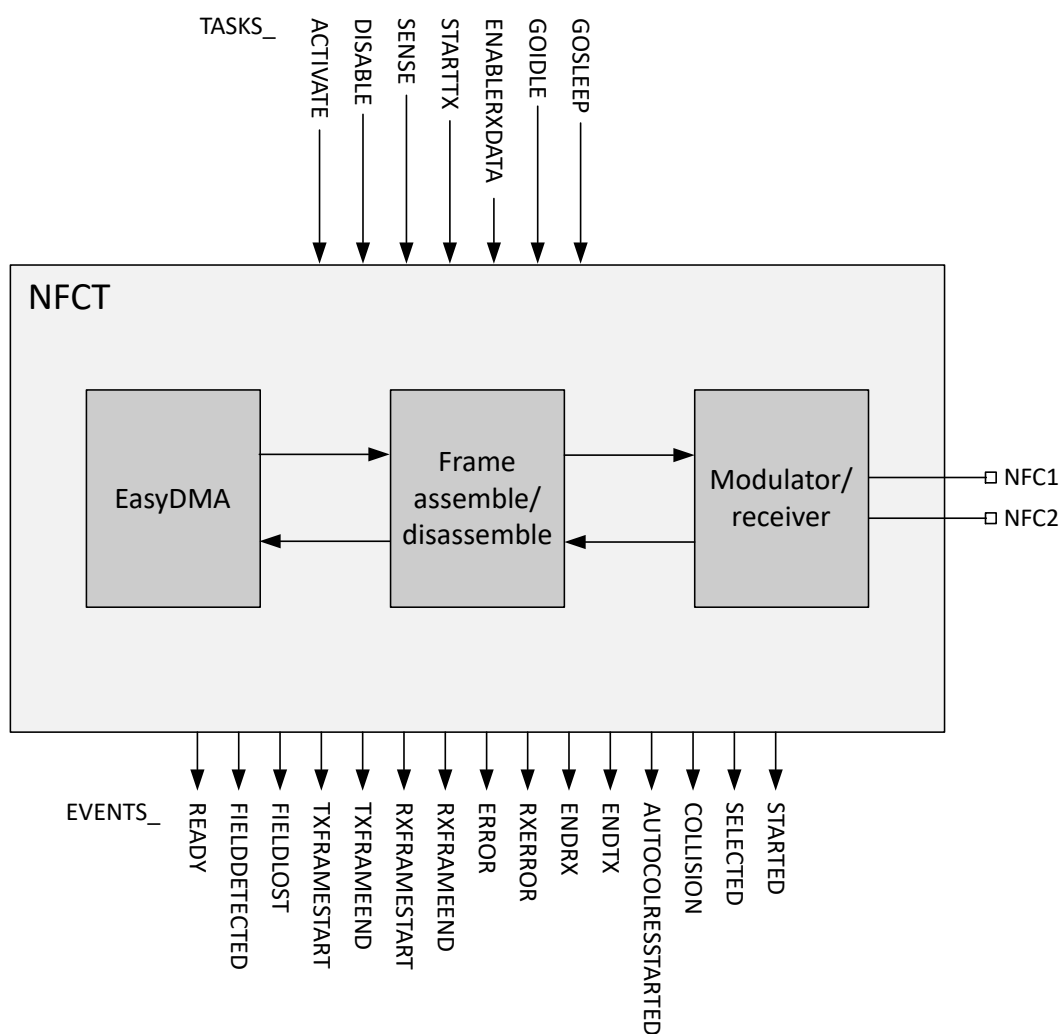


Figure 61: NFCT block diagram

### 6.14.1 Overview

The NFCT peripheral contains a 13.56 MHz AM receiver and a 13.56 MHz load modulator with 106 kbps data rate as defined by the NFC Forum.

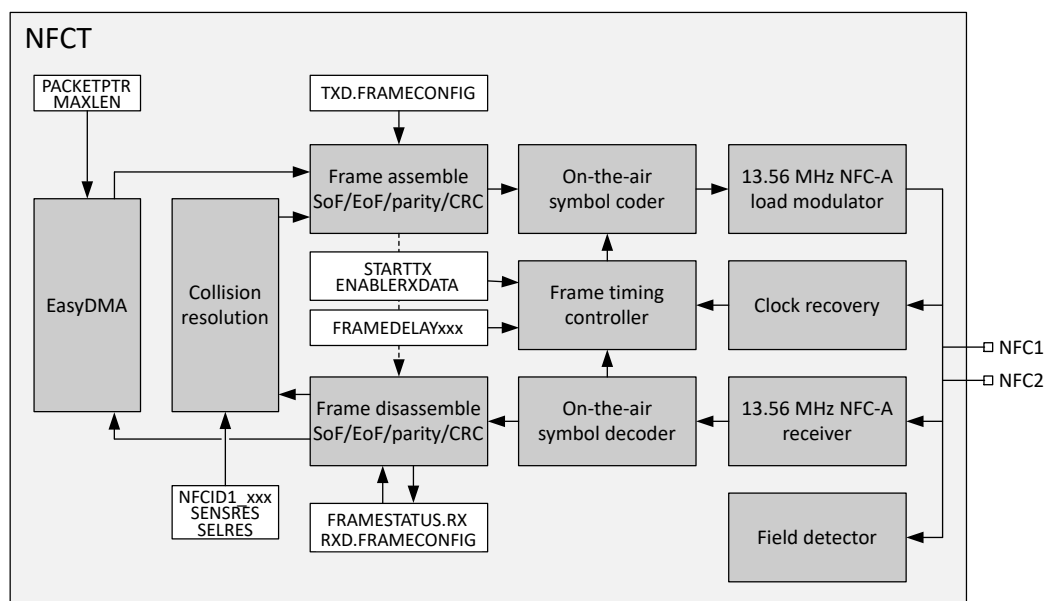


Figure 62: NFCT overview

When transmitting, the frame data will be transferred directly from RAM and transmitted with configurable frame type and delay timing. The system will be notified by an event whenever a complete frame is received or sent. The received frames will be automatically disassembled and the data part of the frame transferred to RAM.

The NFCT peripheral also supports the collision detection and resolution ("anticollision") as defined by the NFC Forum.

Wake-on-field is supported in SENSE mode while the device is either in System OFF or System ON mode. When the antenna enters an NFC field, an event will be triggered notifying the system to activate the NFCT functionality for incoming frames. In System ON, if the energy detected at the antenna increases beyond a threshold value, the module will generate a **FIELDDETECTED** event. When the strength of the field no longer supports NFC communication, the module will generate a **FIELDLOST** event. For the Low Power Field Detect threshold values, refer to [NFCT Electrical Specification](#) on page 235.

In System OFF, the NFCT Low Power Field Detect function can wake the system up through a reset. See [RESETREAS](#) on page 78 for more information on how to detect a wakeup from NFCT.

If the system is put into System OFF mode while a field is already present, the NFCT Low Power Field Detect function will wake the system up right away and generate a reset.

**Important:** As a consequence of a reset, NFCT is disabled, and therefore the reset handler will have to activate NFCT again and set it up properly.

The HFXO must be running before the NFCT peripheral goes into ACTIVATED state. Note that the NFCT peripheral calibration is automatically done on **ACTIVATE** task. The HFXO can be turned off when the NFCT peripheral goes into SENSE mode. The shortcut **FIELDDETECTED\_ACTIVATE** can be used when the HFXO is already running while in SENSE mode.

Outgoing data will be collected from RAM with the EasyDMA function and assembled according to the [TXD.FRAMECONFIG](#) on page 232 register. Incoming data will be disassembled according to the [RXD.FRAMECONFIG](#) register and the data section in the frame will be written to RAM via the EasyDMA function.

The NFCT peripheral includes a frame timing controller that can be used to accurately control the inter-frame delay between the incoming frame and a corresponding outgoing frame. It also includes optional CRC functionality.

### 6.14.2 Operating states

Tasks and events are used to control the operating state of the peripheral. The module can change state by triggering a task, or when specific operations are finalized. Events and tasks allow software to keep track of and change the current state.

See [NFCT block diagram](#) on page 208 and [NFCT state diagram, automatic collision resolution enabled](#) on page 210 for more information. See *NFC Forum, NFC Activity Technical Specification* for description on NFCT operating states.

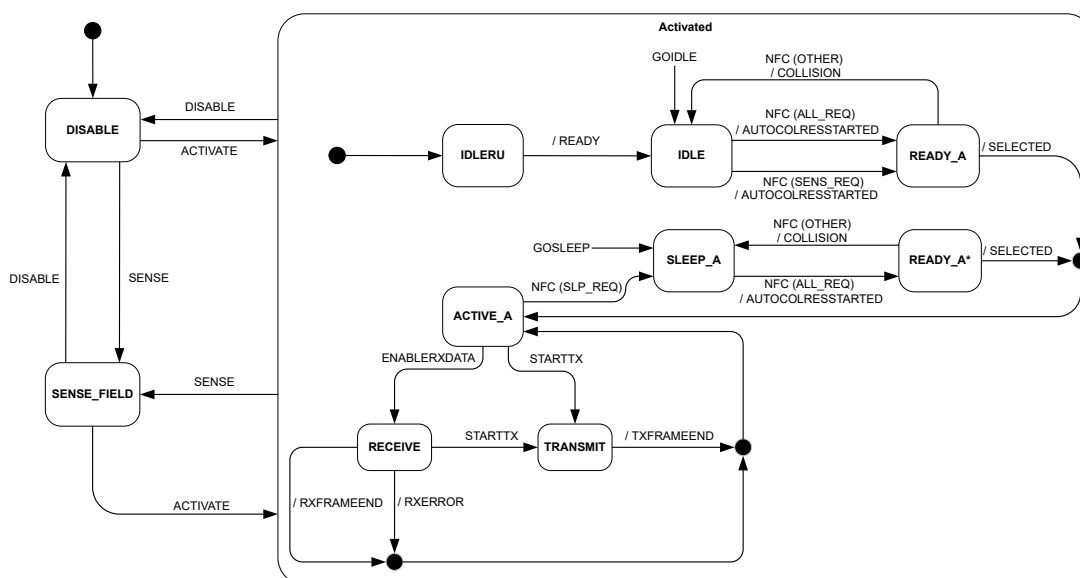


Figure 63: NFCT state diagram, automatic collision resolution enabled

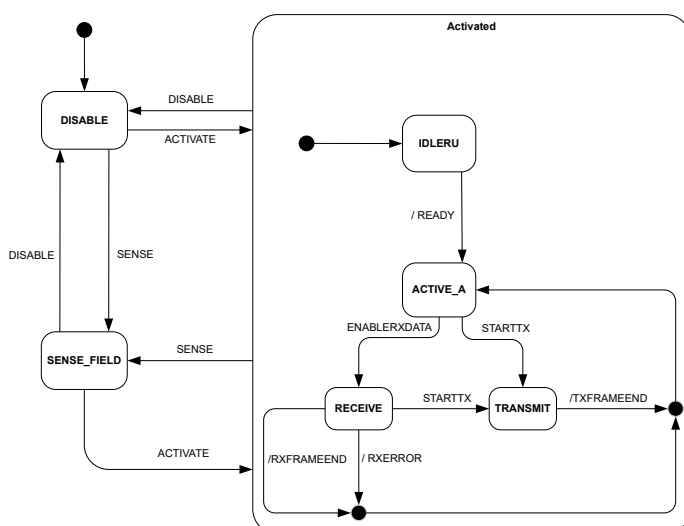


Figure 64: NFCT state diagram, automatic collision resolution disabled

**Important:**

- FIELDLOST event is not generated in SENSE mode.
- Sending SENSE task while field is still present does not generate **FIELDDETECTED** event.
- If the FIELDDETECTED event is cleared before sending the **ACTIVATE** task, then the FIELDDETECTED event shows up again after sending the ACTIVATE task. The shortcut FIELDDETECTED\_ACTIVATE can be used to avoid this condition.

### 6.14.3 Pin configuration

NFCT uses two pins to connect the antenna and these pins are shared with GPIOs.

The PROTECT field in the NFCPINS register in UICR defines the usage of these pins and their protection level against excessive voltages. The content of the NFCPINS register is reloaded at every reset. See [Pin assignments](#) on page 577 for the pins used by the NFCT peripheral.

When NFCPINS.PROTECT=NFC, a protection circuit will be enabled on the dedicated pins, preventing the chip from being damaged in the presence of a strong NFC field. The protection circuit will short the two pins together if voltage difference exceeds approximately 2V. The GPIO function on those pins will also be disabled.

When NFCPINS.PROTECT=Disabled, the device will not be protected against strong NFC field damages caught by a connected NFCT antenna, and the NFCT peripheral will not operate as expected, as it will never leave the DISABLE state.

The pins dedicated to the NFCT antenna function will have some limitation when the pins are configured for normal GPIO operation. The pin capacitance will be higher on those (refer to  $C_{PAD\_NFC}$  in the Electrical Specification of [GPIO — General purpose input/output](#) on page 151), and some increased leakage current between the two pins is to be expected if they are used in GPIO mode, and are driven to different logical values. To save power, the two pins should always be set to the same logical value whenever entering one of the device power saving modes. For details, refer to  $I_{NFC\_LEAK}$  in the Electrical Specification of [GPIO — General purpose input/output](#) on page 151.

### 6.14.4 EasyDMA

The NFCT peripheral implements EasyDMA for reading and writing of data packets from and to the Data RAM.

The NFCT EasyDMA utilizes a pointer called [PACKETPTR](#) on page 231 for receiving and transmitting packets.

The NFCT peripheral uses EasyDMA to read or write RAM, but not both at the same time. The event [RXFRAMESTART](#) indicates that the EasyDMA has started writing to the RAM for a receive frame and the event [RXFRAMEEND](#) indicates that the EasyDMA has completed writing to the RAM. Similarly, the event [TXFRAMESTART](#) indicates that the EasyDMA has started reading from the RAM for a transmit frame and the event [TXFRAMEEND](#) indicates that the EasyDMA has completed reading from the RAM. If a transmit and a receive operation is issued at the same time, the transmit operation would be prioritized.

Starting a transmit operation while the EasyDMA is writing a receive frame to the RAM will result in unpredictable behavior. Starting an EasyDMA operation when there is an ongoing EasyDMA operation may result in unpredictable behavior. It is recommended to wait for the TXFRAMEEND or RXFRAMEEND event for the ongoing transmit or receive before starting a new receive or transmit operation.

The [MAXLEN](#) on page 232 register determines the maximum number of bytes that can be read from or written to the RAM. This feature can be used to ensure that the NFCT peripheral does not overwrite, or read beyond, the RAM assigned to a packet. Note that if the [RXD.AMOUNT](#) or [TXD.AMOUNT](#) register indicates longer data packets than set in MAXLEN, the frames sent to or received from the physical layer

will be incomplete. In that situation, in RX, the `OVERRUN` bit in the `FRAMESTATUS.RX` register will be set and an `RXERROR` event will be triggered.

**Important:** The `RXD.AMOUNT` and `TXD.AMOUNT` define a frame length in bytes and bits excluding start of frame (SoF), end of frame (EoF), and parity, but including CRC for `RXD.AMOUNT` only. Make sure to take potential additional bits into account when setting `MAXLEN`.

Only sending task `ENABLERXDATA` ensures that a new value in `PACKETPTR` pointing to the RX buffer in Data RAM is taken into account.

If `PACKETPTR` is not pointing to the Data RAM region, an EasyDMA transfer may result in a hard fault or RAM corruption. For more information about the different memory regions, see Chapter [Memory](#) on page 20.

The NFCT peripherals normally do alternative receive and transmit frames. Therefore, to prepare for the next frame, the `PACKETPTR`, `MAXLEN`, `TXD.FRAMECONFIG` and `TXD.AMOUNT` can be updated while the receive is in progress, and, similarly, the `PACKETPTR`, `MAXLEN` and `RXD.FRAMECONFIG` can be updated while the transmit is in progress. They can be updated and prepared for the next NFC frame immediately after the `STARTED` event of the current frame has been received. Updating the `TXD.FRAMECONFIG` and `TXD.AMOUNT` during the current transmit frame or updating `RXD.FRAMECONFIG` during current receive frame may cause unpredictable behaviour.

In accordance with *NFC Forum, NFC Digital Protocol Technical Specification*, the least significant bit (LSB) from the least significant byte (LSByte) is sent on air first. The bytes are stored in increasing order, starting at the lowest address in the EasyDMA buffer in RAM.

### 6.14.5 Frame assembler

The NFCT peripheral implements a frame assembler in hardware.

When the NFCT peripheral is in the `ACTIVE_A` state, the software can decide to enter RX or TX mode. For RX, see [Frame disassembler](#) on page 213. For TX, the software must indicate the address of the source buffer in Data RAM and its size through programming the `PACKETPTR` and `MAXLEN` registers respectively, then issuing a `STARTTX` task.

`MAXLEN` must be set so that it matches the size of the frame to be sent.

The `STARTED` event indicates that the `PACKETPTR` and `MAXLEN` registers have been captured by the frame assembler EasyDMA.

When asserting the `STARTTX` task, the frame assembler module will start reading `TXD.AMOUNT.TXDATABYTES` bytes (plus one additional byte if `TXD.AMOUNT.TXDATABITS > 0`) from the RAM position set by the `PACKETPTR`.

The NFCT peripheral transmits the data as read from RAM, adding framing and the CRC calculated on the fly if set in `TXD.FRAMECONFIG`. The NFCT peripheral will take  $(8 * \text{TXD.AMOUNT.TXDATABYTES} + \text{TXD.AMOUNT.TXDATABITS})$  bits and assemble a frame according to the settings in `TXD.FRAMECONFIG`. Both short frames, standard frames, and bit-oriented SDD frames as specified in the *NFC Forum, NFC Digital Protocol Technical Specification* can be assembled by the correct setting of the `TXD.FRAMECONFIG` register.

The bytes will be transmitted on air in the same order as they are read from RAM with a rising bit order within each byte, least significant bit (LSB) first. That is, `b0` will be transmitted on air before `b1`, and so on. The bits read from RAM will be coded into symbols as defined in the *NFC Forum, NFC Digital Protocol Technical Specification*.

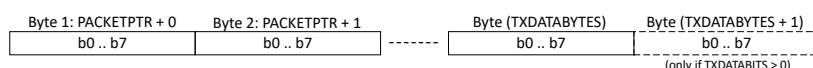


**Important:** Some NFC Forum documents, such as *NFC Forum, NFC Digital Protocol Technical Specification*, define bit numbering in a byte from b1 (LSB) to b8 (most significant bit (MSB)), while most other technical documents from the NFC Forum, and also the Nordic Semiconductor documentation, traditionally number them from b0 to b7. The present document uses the b0–b7 numbering scheme. Be aware of this when comparing the *NFC Forum, NFC Digital Protocol Technical Specification* to others.

The frame assembler can be configured in TXD.FRAMECONFIG to add SoF symbol, calculate and add parity bits, and calculate and add CRC to the data read from RAM when assembling the frame. The total frame will then be longer than what is defined by TXD.AMOUNT.TXDATABYTES. TXDATABITS. DISCARDMODE will select if the first bits in the first byte read from RAM or the last bits in the last byte read from RAM will be discarded if TXD.AMOUNT.TXDATABITS are not equal to zero. Note that if TXD.FRAMECONFIG.PARITY = Parity and TXD.FRAMECONFIG.DISCARDMODE=DiscardStart, a parity bit will be included after the non-complete first byte. No parity will be added after a non-complete last byte.

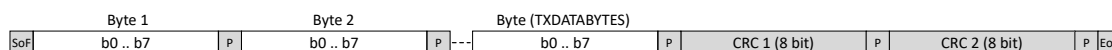
The frame assemble operation is illustrated in [Frame assemble illustration](#) on page 213 for different settings in TXD.FRAMECONFIG. All shaded bit fields are added by the frame assembler. Some of these bits are optional and appearances are configured in TXD.FRAMECONFIG. Note that the frames illustrated do not necessarily comply with the NFC specification. The figure is only to illustrate the behavior of the NFCT peripheral.

#### Data from RAM

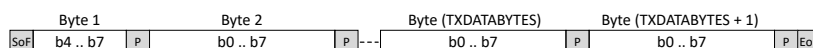


#### Frame on air

PARITY = Parity  
TXDATABITS = 0  
CRCMODETX = CRC16TX



PARITY = Parity  
TXDATABITS = 4  
CRCMODETX = NoCRCTX  
DISCARDMODE = DiscardStart



PARITY = Parity  
TXDATABITS = 0  
CRCMODETX = NoCRCTX



Figure 65: Frame assemble illustration

The accurate timing for transmitting the frame on air is set using the frame timing controller settings.

## 6.14.6 Frame disassembler

The NFCT peripheral implements a frame disassembler in hardware.

When the NFCT peripheral is in the ACTIVE\_A state, the software can decide to enter RX or TX mode. For TX, see [Frame assembler](#) on page 212. For RX, the software must indicate the address and size of the destination buffer in Data RAM through programming the `PACKETPTR` and `MAXLEN` registers before issuing an `ENABLERXDATA` task.

The `STARTED` event indicates that the `PACKETPTR` and `MAXLEN` registers have been captured by the frame disassembler EasyDMA.

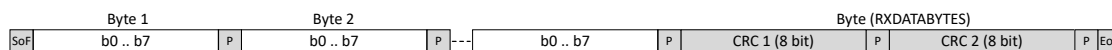
When an incoming frame starts, the `RXFRAMESTART` event will get issued and data will be written to the buffer in Data RAM. The frame disassembler will verify and remove any parity bits, start of frame (SoF) and

end of frame (EoF) symbols on the fly based on `RXD.FRAMECONFIG` register configuration. It will, however, verify and transfer the CRC bytes into RAM, if the CRC is enabled through `RXD.FRAMECONFIG`.

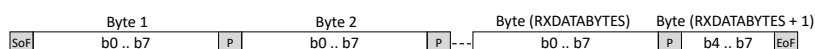
When an EoF symbol is detected, the NFCT peripheral will assert the `RXFRAMEEND` event and write the `RXD.AMOUNT` register to indicate numbers of received bytes and bits in the data packet. The module does not interpret the content of the data received from the remote NFC device, except for SoF, EoF, parity, and CRC checking, as described above. The frame disassemble operation is illustrated below.

#### Frame on air

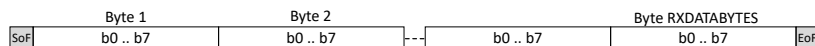
PARITY = Parity  
RXDATABITS = 0  
CRCMODERX = CRC16RX



PARITY = Parity  
CRCMODERX = NoCRCTR  
RXDATABITS = 4



PARITY = NoParity  
CRCMODERX = NoCRCRX  
RXDATABITS = 0



#### Data to RAM

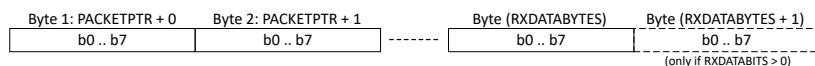


Figure 66: Frame disassemble illustration

Per NFC specification, the time between EoF to the next SoF can be as short as 86  $\mu$ s, and therefore care must be taken that `PACKETPTR` and `MAXLEN` are ready and `ENABLERXDATA` is issued on time after the end of previous frame. The use of a PPI shortcut from `TXFRAMEEND` to `ENABLERXDATA` is recommended.

### 6.14.7 Frame timing controller

The NFCT peripheral includes a frame timing controller that continuously keeps track of the number of the 13.56 MHz RF carrier clock periods since the end of the EoF of the last received frame.

The NFCT peripheral can be programmed to send a responding frame within a time window or at an exact count of RF carrier periods. In case of `FRAMEDELAYMODE` = Window, a `STARTTX` task triggered before the frame timing controller counter is equal to `FRAMEDELAYMIN` will force the transmission to halt until the counter is equal to `FRAMEDELAYMIN`. If the counter is within `FRAMEDELAYMIN` and `FRAMEDELAYMAX` when the `STARTTX` task is triggered, the NFCT peripheral will start the transmission straight away. In case of `FRAMEDELAYMODE` = ExactVal, a `STARTTX` task triggered before the frame delay counter is equal to `FRAMEDELAYMAX` will halt the actual transmission start until the counter is equal to `FRAMEDELAYMAX`.

In case of `FRAMEDELAYMODE` = WindowGrid, the behaviour is similar to the `FRAMEDELAYMODE` = Window, but the actual transmission between `FRAMEDELAYMIN` and `FRAMEDELAYMAX` starts on a bit grid as defined for NFC-A Listen frames (slot duration of 128 RF carrier periods).

An `ERROR` event (with `FRAMEDELAYTIMEOUT` cause in `ERRORSTATUS`) will be asserted if the frame timing controller counter reaches `FRAMEDELAYMAX` without any `STARTTX` task triggered. This may happen even when the response is not required as per *NFC Forum, NFC Digital Protocol Technical Specification*. Any commands handled by the automatic collision resolution that don't involve a response being generated may also result in an `ERROR` event (with `FRAMEDELAYTIMEOUT` cause in `ERRORSTATUS`). The `FRAMEDELAYMIN` and `FRAMEDELAYMAX` values shall only be updated before the `STARTTX` task is triggered. Failing to do so may cause unpredictable behaviour.

The frame timing controller operation is illustrated in [Frame timing controller \(FRAMEDELAYMODE=Window\)](#) on page 215. The frame timing controller automatically adjusts the frame timing counter based on the last received data bit according to NFC-A technology in the *NFC Forum, NFC Digital Protocol Technical Specification*.

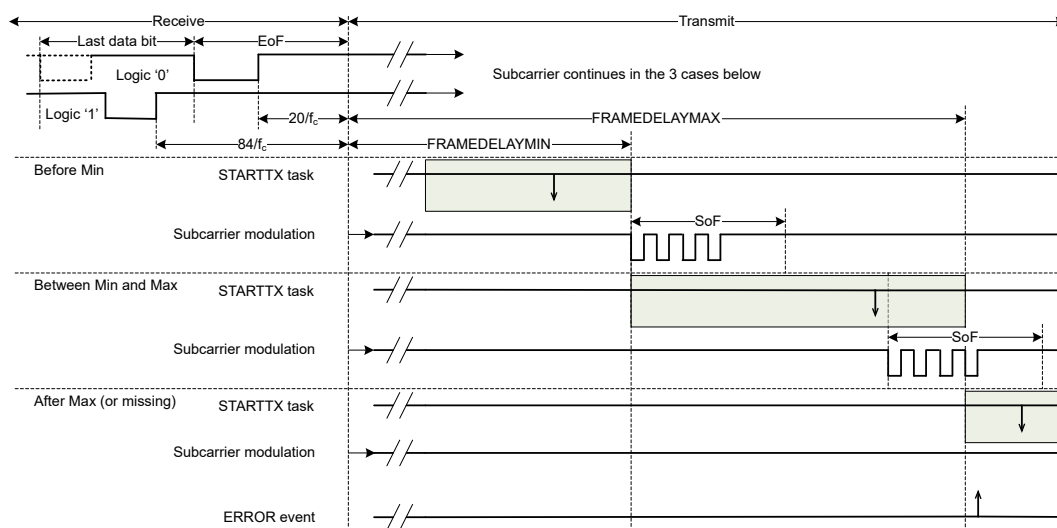


Figure 67: Frame timing controller (FRAMEDELAYMODE=Window)

### 6.14.8 Collision resolution

The NFC-T peripheral implements an automatic collision resolution function as defined by the NFC Forum.

Automatic collision resolution is enabled by default, and it is recommended that the feature is used since it is power efficient and reduces the complexity of software handling the collision resolution sequence. This feature can be disabled through the MODE field in the [AUTOCOLRESCONFIG](#) register. When the automatic collision resolution is disabled, all commands will be sent over EasyDMA as defined in frame disassembler.

The [SENSRES](#) and [SELRES](#) registers need to be programmed upfront in order for the collision resolution to behave correctly. Depending on the NFCIDSIZE field in SENSRES, the following registers also need to be programmed upfront:

- NFCID1\_LAST if NFCID1SIZE=NFCID1Single (ID = 4 bytes);
- NFCID1\_2ND\_LAST and NFCID1\_LAST if NFCID1SIZE=NFCID1Double (ID = 7 bytes);
- NFCID1\_3RD\_LAST, NFCID1\_2ND\_LAST and NFCID1\_LAST if NFCID1SIZE=NFCID1Triple (ID = 10 bytes);

A pre-defined set of registers, NFC.TAGHEADER0..3, containing a valid NFCID1 value, is available in FICR and can be used by software to populate the NFCID1\_3RD\_LAST, NFCID1\_2ND\_LAST, and NFCID1\_LAST registers.

[NFCID1 byte allocation \(top sent first on air\)](#) on page 216 explains the position of the ID bytes in NFCID1\_3RD\_LAST, NFCID1\_2ND\_LAST, and NFCID1\_LAST, depending on the ID size, and as compared to the definition used in the *NFC Forum, NFC Digital Protocol Technical Specification*.

|          | ID = 4 bytes        | ID = 7 bytes        | ID = 10 bytes       |
|----------|---------------------|---------------------|---------------------|
| NFCID1_Q |                     |                     | nfcid1 <sub>0</sub> |
| NFCID1_R |                     |                     | nfcid1 <sub>1</sub> |
| NFCID1_S |                     |                     | nfcid1 <sub>2</sub> |
| NFCID1_T |                     | nfcid1 <sub>0</sub> | nfcid1 <sub>3</sub> |
| NFCID1_U |                     | nfcid1 <sub>1</sub> | nfcid1 <sub>4</sub> |
| NFCID1_V |                     | nfcid1 <sub>2</sub> | nfcid1 <sub>5</sub> |
| NFCID1_W | nfcid1 <sub>0</sub> | nfcid1 <sub>3</sub> | nfcid1 <sub>6</sub> |
| NFCID1_X | nfcid1 <sub>1</sub> | nfcid1 <sub>4</sub> | nfcid1 <sub>7</sub> |
| NFCID1_Y | nfcid1 <sub>2</sub> | nfcid1 <sub>5</sub> | nfcid1 <sub>8</sub> |
| NFCID1_Z | nfcid1 <sub>3</sub> | nfcid1 <sub>6</sub> | nfcid1 <sub>9</sub> |

Table 64: NFCID1 byte allocation (top sent first on air)

The hardware implementation can handle the states from IDLE to ACTIVE\_A automatically as defined in the *NFC Forum, NFC Activity Technical Specification*, and the other states are to be handled by software. The software keeps track of the state through events. The collision resolution will trigger an **AUTOCOLRESSTARTED** event when it has started. Reaching the ACTIVE\_A state is indicated by the **SELECTED** event.

If collision resolution fails, a **COLLISION** event is triggered. Note that errors occurring during automatic collision resolution may also cause **ERROR** and/or **RXERROR** events to be generated. Other events may also get generated. It is recommended that the software ignores any event except COLLISION, SELECTED and FIELDLOST during automatic collision resolution. Software shall also make sure that any unwanted SHORT or PPI shortcut is disabled during automatic collision resolution.

The automatic collision resolution will be restarted, if the packets are received with CRC or parity errors while in ACTIVE\_A state. The automatic collision resolution feature can be disabled while in ACTIVE\_A state to avoid this.

The SLP\_REQ is automatically handled by the NFCT peripheral when the automatic collision resolution is enabled. However, this results in an ERROR event (with FRAMEDELAYTIMEOUT cause in ERRORSTATUS) since the SLP\_REQ has no response. This error must be ignored until the SELECTED event is triggered and this error should be cleared by the software when the SELECTED event is triggered.

### 6.14.9 Antenna interface

In ACTIVATED state, an amplitude regulator will adjust the voltage swing on the antenna pins to a value that is within the  $V_{swing}$  limit.

Refer to [NFCT Electrical Specification](#) on page 235.

### 6.14.10 NFCT antenna recommendations

The NFCT antenna coil must be connected differential between **NFC1** and **NFC2** pins of the device.

Two external capacitors should be used to tune the resonance of the antenna circuit to 13.56 MHz.

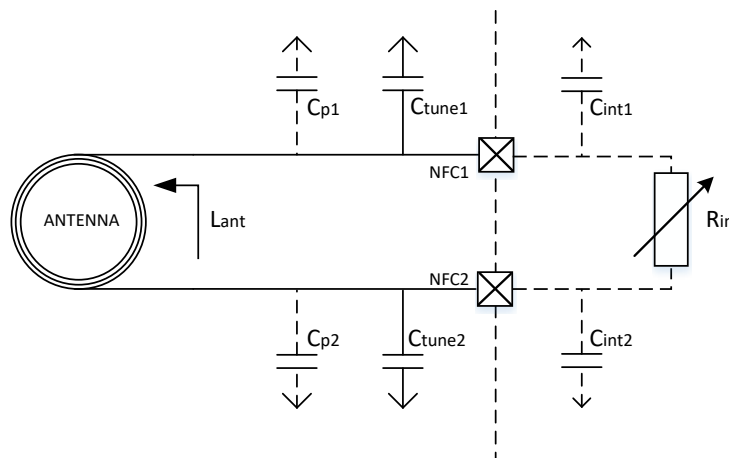


Figure 68: NFCT antenna recommendations

The required tuning capacitor value is given by the below equations:

$$C'_{tune} = \frac{1}{(2\pi \cdot 13.56 \text{ MHz})^2 \cdot L_{ant}} \quad \text{where } C'_{tune} = \frac{1}{2} \cdot (C_p + C_{int} + C_{tune})$$

$$\text{and } C_{tune1} = C_{tune2} = C_{tune} \quad C_{p1} = C_{p2} = C_p \quad C_{int1} = C_{int2} = C_{int}$$

$$C_{tune} = \frac{2}{(2\pi \cdot 13.56 \text{ MHz})^2 \cdot L_{ant}} - C_p - C_{int}$$

An antenna inductance of  $L_{ant} = 2 \mu\text{H}$  will give tuning capacitors in the range of 130 pF on each pin. The total capacitance on **NFC1** and **NFC2** must be matched.

### 6.14.11 Battery protection

If the antenna is exposed to a strong NFC field, current may flow in the opposite direction on the supply due to parasitic diodes and ESD structures.

If the battery used does not tolerate return current, a series diode must be placed between the battery and the device in order to protect the battery.

### 6.14.12 References

NFC Forum, NFC Analog Specification version 1.0, [www.nfc-forum.org](http://www.nfc-forum.org)

NFC Forum, NFC Digital Protocol Technical Specification version 1.1, [www.nfc-forum.org](http://www.nfc-forum.org)

NFC Forum, NFC Activity Technical Specification version 1.1, [www.nfc-forum.org](http://www.nfc-forum.org)

### 6.14.13 Registers

| Base address | Peripheral | Instance | Description                  | Configuration |
|--------------|------------|----------|------------------------------|---------------|
| 0x40005000   | NFCT       | NFCT     | Near field communication tag |               |

Table 65: Instances

| Register                 | Offset | Description   |
|--------------------------|--------|---|
| TASKS_ACTIVATE           | 0x000  | Activate NFCT peripheral for incoming and outgoing frames, change state to activated                                |
| TASKS_DISABLE            | 0x004  | Disable NFCT peripheral   |
| TASKS_SENSE              | 0x008  | Enable NFC sense field mode, change state to sense mode   |
| TASKS_STARTTX            | 0x00C  | Start transmission of an outgoing frame, change state to transmit   |
| TASKS_ENABLERXDATA       | 0x01C  | Initializes the EasyDMA for receive.  |
| TASKS_GOIDLE             | 0x024  | Force state machine to IDLE state   |
| TASKS_GOSLEEP            | 0x028  | Force state machine to SLEEP_A state  |
| EVENTS_READY             | 0x100  | The NFCT peripheral is ready to receive and send frames   |
| EVENTS_FIELDDETECTED     | 0x104  | Remote NFC field detected   |
| EVENTS_FIELDLOST         | 0x108  | Remote NFC field lost   |
| EVENTS_TXFRAMESTART      | 0x10C  | Marks the start of the first symbol of a transmitted frame  |
| EVENTS_TXFRAMEEND        | 0x110  | Marks the end of the last transmitted on-air symbol of a frame  |
| EVENTS_RXFRAMESTART      | 0x114  | Marks the end of the first symbol of a received frame   |
| EVENTS_RXFRAMEEND        | 0x118  | Received data has been checked (CRC, parity) and transferred to RAM, and EasyDMA has ended accessing the RX buffer  |
| EVENTS_ERROR             | 0x11C  | NFC error reported. The ERRORSTATUS register contains details on the source of the error.                           |
| EVENTS_RXERROR           | 0x128  | NFC RX frame error reported. The FRAMESTATUS.RX register contains details on the source of the error.               |
| EVENTS_ENDRX             | 0x12C  | RX buffer (as defined by PACKETPTR and MAXLEN) in Data RAM full.  |
| EVENTS_ENDTX             | 0x130  | Transmission of data in RAM has ended, and EasyDMA has ended accessing the TX buffer                                |
| EVENTS_AUTOCOLRESSTARTED | 0x138  | Auto collision resolution process has started   |
| EVENTS_COLLISION         | 0x148  | NFC auto collision resolution error reported.   |
| EVENTS_SELECTED          | 0x14C  | NFC auto collision resolution successfully completed  |
| EVENTS_STARTED           | 0x150  | EasyDMA is ready to receive or send frames.   |
| SHORTS                   | 0x200  | Shortcuts between local events and tasks  |
| INTEN                    | 0x300  | Enable or disable interrupt   |
| INTENSET                 | 0x304  | Enable interrupt  |
| INTENCLR                 | 0x308  | Disable interrupt   |
| ERRORSTATUS              | 0x404  | NFC Error Status register   |
| FRAMESTATUS.RX           | 0x40C  | Result of last incoming frame   |
| NFCTAGSTATE              | 0x410  | NfcTag state register   |
| SLEEPSTATE               | 0x420  | Sleep state during automatic collision resolution   |
| FIELDPRESENT             | 0x43C  | Indicates the presence or not of a valid field  |
| FRAMEDELAYMIN            | 0x504  | Minimum frame delay   |
| FRAMEDELAYMAX            | 0x508  | Maximum frame delay   |
| FRAMEDELAYMODE           | 0x50C  | Configuration register for the Frame Delay Timer  |
| PACKETPTR                | 0x510  | Packet pointer for TXD and RXD data storage in Data RAM   |
| MAXLEN                   | 0x514  | Size of the RAM buffer allocated to TXD and RXD data storage each   |
| TXD.FRAMECONFIG          | 0x518  | Configuration of outgoing frames  |
| TXD.AMOUNT               | 0x51C  | Size of outgoing frame  |
| RXD.FRAMECONFIG          | 0x520  | Configuration of incoming frames  |
| RXD.AMOUNT               | 0x524  | Size of last incoming frame   |
| NFCID1_LAST              | 0x590  | Last NFCID1 part (4, 7 or 10 bytes ID)  |
| NFCID1_2ND_LAST          | 0x594  | Second last NFCID1 part (7 or 10 bytes ID)  |
| NFCID1_3RD_LAST          | 0x598  | Third last NFCID1 part (10 bytes ID)  |
| AUTOCOLRESCONFIG         | 0x59C  | Controls the auto collision resolution function. This setting must be done before the NFCT peripheral is activated. |
| SENSRES                  | 0x5A0  | NFC-A SENS_RES auto-response settings   |
| SELRES                   | 0x5A4  | NFC-A SEL_RES auto-response settings  |

Table 66: Register overview

### 6.14.13.1 TASKS\_ACTIVATE

Address offset: 0x000

Activate NFCT peripheral for incoming and outgoing frames, change state to activated

| Bit number       | 31 30 29 28 27 26 25 24 23 22 21 20 19 18 17 16 15 14 13 12 11 10 9 8 7 6 5 4 3 2 1 0 |                |       |  |  |  |  |  |  |  |  |  |  |  |  |  |  |  |  |  |  |  |  |  |  |  |  |  |  |  |  |
|------------------|---|----------------|-------|--|--|--|--|--|--|--|--|--|--|--|--|--|--|--|--|--|--|--|--|--|--|--|--|--|--|--|--|
| ID               | A   |                |       |  |  |  |  |  |  |  |  |  |  |  |  |  |  |  |  |  |  |  |  |  |  |  |  |  |  |  |  |
| Reset 0x00000000 | 0           |                |       |  |  |  |  |  |  |  |  |  |  |  |  |  |  |  |  |  |  |  |  |  |  |  |  |  |  |  |  |
| ID               | Acce Field  | Value ID       | Value | Description  |  |  |  |  |  |  |  |  |  |  |  |  |  |  |  |  |  |  |  |  |  |  |  |  |  |  |  |
| A                | W   | TASKS_ACTIVATE |       | Activate NFCT peripheral for incoming and outgoing frames, change state to activated |  |  |  |  |  |  |  |  |  |  |  |  |  |  |  |  |  |  |  |  |  |  |  |  |  |  |  |
|                  |   | Trigger        | 1     | Trigger task   |  |  |  |  |  |  |  |  |  |  |  |  |  |  |  |  |  |  |  |  |  |  |  |  |  |  |  |

### 6.14.13.2 TASKS\_DISABLE

Address offset: 0x004

Disable NFCT peripheral

| Bit number       | 31 30 29 28 27 26 25 24 23 22 21 20 19 18 17 16 15 14 13 12 11 10 9 8 7 6 5 4 3 2 1 0 |               |       |                         |  |  |  |  |  |  |  |  |  |  |  |  |  |  |  |  |  |  |  |  |  |  |  |  |  |  |  |
|------------------|---|---------------|-------|-------------------------|--|--|--|--|--|--|--|--|--|--|--|--|--|--|--|--|--|--|--|--|--|--|--|--|--|--|--|
| ID               | A   |               |       |                         |  |  |  |  |  |  |  |  |  |  |  |  |  |  |  |  |  |  |  |  |  |  |  |  |  |  |  |
| Reset 0x00000000 | 0           |               |       |                         |  |  |  |  |  |  |  |  |  |  |  |  |  |  |  |  |  |  |  |  |  |  |  |  |  |  |  |
| ID               | Acce Field  | Value ID      | Value | Description             |  |  |  |  |  |  |  |  |  |  |  |  |  |  |  |  |  |  |  |  |  |  |  |  |  |  |  |
| A                | W   | TASKS_DISABLE |       | Disable NFCT peripheral |  |  |  |  |  |  |  |  |  |  |  |  |  |  |  |  |  |  |  |  |  |  |  |  |  |  |  |
|                  |   | Trigger       | 1     | Trigger task            |  |  |  |  |  |  |  |  |  |  |  |  |  |  |  |  |  |  |  |  |  |  |  |  |  |  |  |

### 6.14.13.3 TASKS\_SENSE

Address offset: 0x008

Enable NFC sense field mode, change state to sense mode

| Bit number       | 31 30 29 28 27 26 25 24 23 22 21 20 19 18 17 16 15 14 13 12 11 10 9 8 7 6 5 4 3 2 1 0 |             |       |   |  |  |  |  |  |  |  |  |  |  |  |  |  |  |  |  |  |  |  |  |  |  |  |  |  |  |  |
|------------------|---|-------------|-------|---|--|--|--|--|--|--|--|--|--|--|--|--|--|--|--|--|--|--|--|--|--|--|--|--|--|--|--|
| ID               | A   |             |       |   |  |  |  |  |  |  |  |  |  |  |  |  |  |  |  |  |  |  |  |  |  |  |  |  |  |  |  |
| Reset 0x00000000 | 0           |             |       |   |  |  |  |  |  |  |  |  |  |  |  |  |  |  |  |  |  |  |  |  |  |  |  |  |  |  |  |
| ID               | Acce Field  | Value ID    | Value | Description   |  |  |  |  |  |  |  |  |  |  |  |  |  |  |  |  |  |  |  |  |  |  |  |  |  |  |  |
| A                | W   | TASKS_SENSE |       | Enable NFC sense field mode, change state to sense mode |  |  |  |  |  |  |  |  |  |  |  |  |  |  |  |  |  |  |  |  |  |  |  |  |  |  |  |
|                  |   | Trigger     | 1     | Trigger task  |  |  |  |  |  |  |  |  |  |  |  |  |  |  |  |  |  |  |  |  |  |  |  |  |  |  |  |

### 6.14.13.4 TASKS\_STARTTX

Address offset: 0x00C

Start transmission of an outgoing frame, change state to transmit

| Bit number       | 31 30 29 28 27 26 25 24 23 22 21 20 19 18 17 16 15 14 13 12 11 10 9 8 7 6 5 4 3 2 1 0 |               |       |   |  |  |  |  |  |  |  |  |  |  |  |  |  |  |  |  |  |  |  |  |  |  |  |  |  |  |  |
|------------------|---|---------------|-------|---|--|--|--|--|--|--|--|--|--|--|--|--|--|--|--|--|--|--|--|--|--|--|--|--|--|--|--|
| ID               | A   |               |       |   |  |  |  |  |  |  |  |  |  |  |  |  |  |  |  |  |  |  |  |  |  |  |  |  |  |  |  |
| Reset 0x00000000 | 0           |               |       |   |  |  |  |  |  |  |  |  |  |  |  |  |  |  |  |  |  |  |  |  |  |  |  |  |  |  |  |
| ID               | Acce Field  | Value ID      | Value | Description   |  |  |  |  |  |  |  |  |  |  |  |  |  |  |  |  |  |  |  |  |  |  |  |  |  |  |  |
| A                | W   | TASKS_STARTTX |       | Start transmission of an outgoing frame, change state to transmit |  |  |  |  |  |  |  |  |  |  |  |  |  |  |  |  |  |  |  |  |  |  |  |  |  |  |  |
|                  |   | Trigger       | 1     | Trigger task  |  |  |  |  |  |  |  |  |  |  |  |  |  |  |  |  |  |  |  |  |  |  |  |  |  |  |  |

### 6.14.13.5 TASKS\_ENABLERXDATA

Address offset: 0x01C

Initializes the EasyDMA for receive.

| Bit number       | 31 30 29 28 27 26 25 24 23 22 21 20 19 18 17 16 15 14 13 12 11 10 9 8 7 6 5 4 3 2 1 0 |          |       |                                      |  |  |  |  |  |  |  |  |  |  |  |  |  |  |  |  |  |  |  |  |  |  |  |  |  |  |  |
|------------------|---|----------|-------|--------------------------------------|--|--|--|--|--|--|--|--|--|--|--|--|--|--|--|--|--|--|--|--|--|--|--|--|--|--|--|
| ID               | A   |          |       |                                      |  |  |  |  |  |  |  |  |  |  |  |  |  |  |  |  |  |  |  |  |  |  |  |  |  |  |  |
| Reset 0x00000000 | 0           |          |       |                                      |  |  |  |  |  |  |  |  |  |  |  |  |  |  |  |  |  |  |  |  |  |  |  |  |  |  |  |
| ID               | Acce Field  | Value ID | Value | Description                          |  |  |  |  |  |  |  |  |  |  |  |  |  |  |  |  |  |  |  |  |  |  |  |  |  |  |  |
| A                | W TASKS_ENABLERXDATA  |          |       | Initializes the EasyDMA for receive. |  |  |  |  |  |  |  |  |  |  |  |  |  |  |  |  |  |  |  |  |  |  |  |  |  |  |  |
|                  |   | Trigger  | 1     | Trigger task                         |  |  |  |  |  |  |  |  |  |  |  |  |  |  |  |  |  |  |  |  |  |  |  |  |  |  |  |

### 6.14.13.6 TASKS\_GOIDLE

Address offset: 0x024

Force state machine to IDLE state

| Bit number       | 31 30 29 28 27 26 25 24 23 22 21 20 19 18 17 16 15 14 13 12 11 10 9 8 7 6 5 4 3 2 1 0 |          |       |                                   |  |  |  |  |  |  |  |  |  |  |  |  |  |  |  |  |  |  |  |  |  |  |  |  |  |  |  |
|------------------|---|----------|-------|-----------------------------------|--|--|--|--|--|--|--|--|--|--|--|--|--|--|--|--|--|--|--|--|--|--|--|--|--|--|--|
| ID               | A   |          |       |                                   |  |  |  |  |  |  |  |  |  |  |  |  |  |  |  |  |  |  |  |  |  |  |  |  |  |  |  |
| Reset 0x00000000 | 0           |          |       |                                   |  |  |  |  |  |  |  |  |  |  |  |  |  |  |  |  |  |  |  |  |  |  |  |  |  |  |  |
| ID               | Acce Field  | Value ID | Value | Description                       |  |  |  |  |  |  |  |  |  |  |  |  |  |  |  |  |  |  |  |  |  |  |  |  |  |  |  |
| A                | W TASKS_GOIDLE  |          |       | Force state machine to IDLE state |  |  |  |  |  |  |  |  |  |  |  |  |  |  |  |  |  |  |  |  |  |  |  |  |  |  |  |
|                  |   | Trigger  | 1     | Trigger task                      |  |  |  |  |  |  |  |  |  |  |  |  |  |  |  |  |  |  |  |  |  |  |  |  |  |  |  |

### 6.14.13.7 TASKS\_GOSLEEP

Address offset: 0x028

Force state machine to SLEEP\_A state

| Bit number       | 31 30 29 28 27 26 25 24 23 22 21 20 19 18 17 16 15 14 13 12 11 10 9 8 7 6 5 4 3 2 1 0 |          |       |                                      |  |  |  |  |  |  |  |  |  |  |  |  |  |  |  |  |  |  |  |  |  |  |  |  |  |  |  |
|------------------|---|----------|-------|--------------------------------------|--|--|--|--|--|--|--|--|--|--|--|--|--|--|--|--|--|--|--|--|--|--|--|--|--|--|--|
| ID               | A   |          |       |                                      |  |  |  |  |  |  |  |  |  |  |  |  |  |  |  |  |  |  |  |  |  |  |  |  |  |  |  |
| Reset 0x00000000 | 0           |          |       |                                      |  |  |  |  |  |  |  |  |  |  |  |  |  |  |  |  |  |  |  |  |  |  |  |  |  |  |  |
| ID               | Acce Field  | Value ID | Value | Description                          |  |  |  |  |  |  |  |  |  |  |  |  |  |  |  |  |  |  |  |  |  |  |  |  |  |  |  |
| A                | W TASKS_GOSLEEP   |          |       | Force state machine to SLEEP_A state |  |  |  |  |  |  |  |  |  |  |  |  |  |  |  |  |  |  |  |  |  |  |  |  |  |  |  |
|                  |   | Trigger  | 1     | Trigger task                         |  |  |  |  |  |  |  |  |  |  |  |  |  |  |  |  |  |  |  |  |  |  |  |  |  |  |  |

### 6.14.13.8 EVENTS\_READY

Address offset: 0x100

The NFCT peripheral is ready to receive and send frames

| Bit number       | 31 30 29 28 27 26 25 24 23 22 21 20 19 18 17 16 15 14 13 12 11 10 9 8 7 6 5 4 3 2 1 0 |              |       |   |  |  |  |  |  |  |  |  |  |  |  |  |  |  |  |  |  |  |  |  |  |  |  |  |  |  |  |
|------------------|---|--------------|-------|---|--|--|--|--|--|--|--|--|--|--|--|--|--|--|--|--|--|--|--|--|--|--|--|--|--|--|--|
| ID               | A   |              |       |   |  |  |  |  |  |  |  |  |  |  |  |  |  |  |  |  |  |  |  |  |  |  |  |  |  |  |  |
| Reset 0x00000000 | 0           |              |       |   |  |  |  |  |  |  |  |  |  |  |  |  |  |  |  |  |  |  |  |  |  |  |  |  |  |  |  |
| ID               | Acce Field  | Value ID     | Value | Description   |  |  |  |  |  |  |  |  |  |  |  |  |  |  |  |  |  |  |  |  |  |  |  |  |  |  |  |
| A                | RW EVENTS_READY   |              |       | The NFCT peripheral is ready to receive and send frames |  |  |  |  |  |  |  |  |  |  |  |  |  |  |  |  |  |  |  |  |  |  |  |  |  |  |  |
|                  |   | NotGenerated | 0     | Event not generated                                     |  |  |  |  |  |  |  |  |  |  |  |  |  |  |  |  |  |  |  |  |  |  |  |  |  |  |  |
|                  |   | Generated    | 1     | Event generated   |  |  |  |  |  |  |  |  |  |  |  |  |  |  |  |  |  |  |  |  |  |  |  |  |  |  |  |



### 6.14.13.9 EVENTS\_FIELDDETECTED

Address offset: 0x104

Remote NFC field detected

| Bit number       | 31 30 29 28 27 26 25 24 23 22 21 20 19 18 17 16 15 14 13 12 11 10 9 8 7 6 5 4 3 2 1 0 |                      |       |                           |  |  |  |  |  |  |  |  |  |  |  |  |  |  |  |  |  |  |  |  |  |  |  |  |  |  |  |
|------------------|---|----------------------|-------|---------------------------|--|--|--|--|--|--|--|--|--|--|--|--|--|--|--|--|--|--|--|--|--|--|--|--|--|--|--|
| ID               | A   |                      |       |                           |  |  |  |  |  |  |  |  |  |  |  |  |  |  |  |  |  |  |  |  |  |  |  |  |  |  |  |
| Reset 0x00000000 | 0             |                      |       |                           |  |  |  |  |  |  |  |  |  |  |  |  |  |  |  |  |  |  |  |  |  |  |  |  |  |  |  |
| ID               | Acce Field  | Value ID             | Value | Description               |  |  |  |  |  |  |  |  |  |  |  |  |  |  |  |  |  |  |  |  |  |  |  |  |  |  |  |
| A                | RW  | EVENTS_FIELDDETECTED |       | Remote NFC field detected |  |  |  |  |  |  |  |  |  |  |  |  |  |  |  |  |  |  |  |  |  |  |  |  |  |  |  |
|                  |   | NotGenerated         | 0     | Event not generated       |  |  |  |  |  |  |  |  |  |  |  |  |  |  |  |  |  |  |  |  |  |  |  |  |  |  |  |
|                  |   | Generated            | 1     | Event generated           |  |  |  |  |  |  |  |  |  |  |  |  |  |  |  |  |  |  |  |  |  |  |  |  |  |  |  |

### 6.14.13.10 EVENTS\_FIELDLOST

Address offset: 0x108

Remote NFC field lost

| Bit number       | 31 30 29 28 27 26 25 24 23 22 21 20 19 18 17 16 15 14 13 12 11 10 9 8 7 6 5 4 3 2 1 0 |                  |       |                       |  |  |  |  |  |  |  |  |  |  |  |  |  |  |  |  |  |  |  |  |  |  |  |  |  |  |  |
|------------------|---|------------------|-------|-----------------------|--|--|--|--|--|--|--|--|--|--|--|--|--|--|--|--|--|--|--|--|--|--|--|--|--|--|--|
| ID               | A   |                  |       |                       |  |  |  |  |  |  |  |  |  |  |  |  |  |  |  |  |  |  |  |  |  |  |  |  |  |  |  |
| Reset 0x00000000 | 0             |                  |       |                       |  |  |  |  |  |  |  |  |  |  |  |  |  |  |  |  |  |  |  |  |  |  |  |  |  |  |  |
| ID               | Acce Field  | Value ID         | Value | Description           |  |  |  |  |  |  |  |  |  |  |  |  |  |  |  |  |  |  |  |  |  |  |  |  |  |  |  |
| A                | RW  | EVENTS_FIELDLOST |       | Remote NFC field lost |  |  |  |  |  |  |  |  |  |  |  |  |  |  |  |  |  |  |  |  |  |  |  |  |  |  |  |
|                  |   | NotGenerated     | 0     | Event not generated   |  |  |  |  |  |  |  |  |  |  |  |  |  |  |  |  |  |  |  |  |  |  |  |  |  |  |  |
|                  |   | Generated        | 1     | Event generated       |  |  |  |  |  |  |  |  |  |  |  |  |  |  |  |  |  |  |  |  |  |  |  |  |  |  |  |

### 6.14.13.11 EVENTS\_TXFRAMESTART

Address offset: 0x10C

Marks the start of the first symbol of a transmitted frame

| Bit number       | 31 30 29 28 27 26 25 24 23 22 21 20 19 18 17 16 15 14 13 12 11 10 9 8 7 6 5 4 3 2 1 0 |                     |       |  |  |  |  |  |  |  |  |  |  |  |  |  |  |  |  |  |  |  |  |  |  |  |  |  |  |  |  |
|------------------|---|---------------------|-------|--|--|--|--|--|--|--|--|--|--|--|--|--|--|--|--|--|--|--|--|--|--|--|--|--|--|--|--|
| ID               | A   |                     |       |  |  |  |  |  |  |  |  |  |  |  |  |  |  |  |  |  |  |  |  |  |  |  |  |  |  |  |  |
| Reset 0x00000000 | 0             |                     |       |  |  |  |  |  |  |  |  |  |  |  |  |  |  |  |  |  |  |  |  |  |  |  |  |  |  |  |  |
| ID               | Acce Field  | Value ID            | Value | Description  |  |  |  |  |  |  |  |  |  |  |  |  |  |  |  |  |  |  |  |  |  |  |  |  |  |  |  |
| A                | RW  | EVENTS_TXFRAMESTART |       | Marks the start of the first symbol of a transmitted frame |  |  |  |  |  |  |  |  |  |  |  |  |  |  |  |  |  |  |  |  |  |  |  |  |  |  |  |
|                  |   | NotGenerated        | 0     | Event not generated  |  |  |  |  |  |  |  |  |  |  |  |  |  |  |  |  |  |  |  |  |  |  |  |  |  |  |  |
|                  |   | Generated           | 1     | Event generated  |  |  |  |  |  |  |  |  |  |  |  |  |  |  |  |  |  |  |  |  |  |  |  |  |  |  |  |

### 6.14.13.12 EVENTS\_TXFRAMEEND

Address offset: 0x110

Marks the end of the last transmitted on-air symbol of a frame

| Bit number | 31 30 29 28 27 26 25 24 23 22 21 20 19 18 17 16 15 14 13 12 11 10 9 8 7 6 5 4 3 2 1 0 |                   |       |  |  |  |  |  |  |  |  |  |  |  |  |  |  |  |  |  |  |  |  |  |  |  |  |  |  |  |  |
|------------|---|-------------------|-------|--|--|--|--|--|--|--|--|--|--|--|--|--|--|--|--|--|--|--|--|--|--|--|--|--|--|--|--|
| ID         | A   |                   |       |  |  |  |  |  |  |  |  |  |  |  |  |  |  |  |  |  |  |  |  |  |  |  |  |  |  |  |  |
| Reset      | 0x00000000  |                   |       |  |  |  |  |  |  |  |  |  |  |  |  |  |  |  |  |  |  |  |  |  |  |  |  |  |  |  |  |
|            | 0           |                   |       |  |  |  |  |  |  |  |  |  |  |  |  |  |  |  |  |  |  |  |  |  |  |  |  |  |  |  |  |
| ID         | Acce Field  | Value ID          | Value | Description  |  |  |  |  |  |  |  |  |  |  |  |  |  |  |  |  |  |  |  |  |  |  |  |  |  |  |  |
| A          | RW  | EVENTS_TXFRAMEEND |       | Marks the end of the last transmitted on-air symbol of a frame |  |  |  |  |  |  |  |  |  |  |  |  |  |  |  |  |  |  |  |  |  |  |  |  |  |  |  |
|            |   | NotGenerated      | 0     | Event not generated  |  |  |  |  |  |  |  |  |  |  |  |  |  |  |  |  |  |  |  |  |  |  |  |  |  |  |  |
|            |   | Generated         | 1     | Event generated  |  |  |  |  |  |  |  |  |  |  |  |  |  |  |  |  |  |  |  |  |  |  |  |  |  |  |  |

### 6.14.13.13 EVENTS\_RXFRAMESTART

Address offset: 0x114

Marks the end of the first symbol of a received frame

| Bit number | 31 30 29 28 27 26 25 24 23 22 21 20 19 18 17 16 15 14 13 12 11 10 9 8 7 6 5 4 3 2 1 0 |                     |       |   |  |  |  |  |  |  |  |  |  |  |  |  |  |  |  |  |  |  |  |  |  |  |  |  |  |  |  |
|------------|---|---------------------|-------|---|--|--|--|--|--|--|--|--|--|--|--|--|--|--|--|--|--|--|--|--|--|--|--|--|--|--|--|
| ID         | A   |                     |       |   |  |  |  |  |  |  |  |  |  |  |  |  |  |  |  |  |  |  |  |  |  |  |  |  |  |  |  |
| Reset      | 0x00000000  |                     |       |   |  |  |  |  |  |  |  |  |  |  |  |  |  |  |  |  |  |  |  |  |  |  |  |  |  |  |  |
|            | 0           |                     |       |   |  |  |  |  |  |  |  |  |  |  |  |  |  |  |  |  |  |  |  |  |  |  |  |  |  |  |  |
| ID         | Acce Field  | Value ID            | Value | Description   |  |  |  |  |  |  |  |  |  |  |  |  |  |  |  |  |  |  |  |  |  |  |  |  |  |  |  |
| A          | RW  | EVENTS_RXFRAMESTART |       | Marks the end of the first symbol of a received frame |  |  |  |  |  |  |  |  |  |  |  |  |  |  |  |  |  |  |  |  |  |  |  |  |  |  |  |
|            |   | NotGenerated        | 0     | Event not generated                                   |  |  |  |  |  |  |  |  |  |  |  |  |  |  |  |  |  |  |  |  |  |  |  |  |  |  |  |
|            |   | Generated           | 1     | Event generated                                       |  |  |  |  |  |  |  |  |  |  |  |  |  |  |  |  |  |  |  |  |  |  |  |  |  |  |  |

### 6.14.13.14 EVENTS\_RXFRAMEEND

Address offset: 0x118

Received data has been checked (CRC, parity) and transferred to RAM, and EasyDMA has ended accessing the RX buffer

| Bit number | 31 30 29 28 27 26 25 24 23 22 21 20 19 18 17 16 15 14 13 12 11 10 9 8 7 6 5 4 3 2 1 0 |                   |       |  |  |  |  |  |  |  |  |  |  |  |  |  |  |  |  |  |  |  |  |  |  |  |  |  |  |  |  |
|------------|---|-------------------|-------|--|--|--|--|--|--|--|--|--|--|--|--|--|--|--|--|--|--|--|--|--|--|--|--|--|--|--|--|
| ID         | A   |                   |       |  |  |  |  |  |  |  |  |  |  |  |  |  |  |  |  |  |  |  |  |  |  |  |  |  |  |  |  |
| Reset      | 0x00000000  |                   |       |  |  |  |  |  |  |  |  |  |  |  |  |  |  |  |  |  |  |  |  |  |  |  |  |  |  |  |  |
|            | 0           |                   |       |  |  |  |  |  |  |  |  |  |  |  |  |  |  |  |  |  |  |  |  |  |  |  |  |  |  |  |  |
| ID         | Acce Field  | Value ID          | Value | Description  |  |  |  |  |  |  |  |  |  |  |  |  |  |  |  |  |  |  |  |  |  |  |  |  |  |  |  |
| A          | RW  | EVENTS_RXFRAMEEND |       | Received data has been checked (CRC, parity) and transferred to RAM, and EasyDMA has ended accessing the RX buffer |  |  |  |  |  |  |  |  |  |  |  |  |  |  |  |  |  |  |  |  |  |  |  |  |  |  |  |
|            |   | NotGenerated      | 0     | Event not generated  |  |  |  |  |  |  |  |  |  |  |  |  |  |  |  |  |  |  |  |  |  |  |  |  |  |  |  |
|            |   | Generated         | 1     | Event generated  |  |  |  |  |  |  |  |  |  |  |  |  |  |  |  |  |  |  |  |  |  |  |  |  |  |  |  |

### 6.14.13.15 EVENTS\_ERROR

Address offset: 0x11C

NFC error reported. The ERRORSTATUS register contains details on the source of the error.

| Bit number | 31 30 29 28 27 26 25 24 23 22 21 20 19 18 17 16 15 14 13 12 11 10 9 8 7 6 5 4 3 2 1 0 |              |       |   |  |  |  |  |  |  |  |  |  |  |  |  |  |  |  |  |  |  |  |  |  |  |  |  |  |  |  |
|------------|---|--------------|-------|---|--|--|--|--|--|--|--|--|--|--|--|--|--|--|--|--|--|--|--|--|--|--|--|--|--|--|--|
| ID         | A   |              |       |   |  |  |  |  |  |  |  |  |  |  |  |  |  |  |  |  |  |  |  |  |  |  |  |  |  |  |  |
| Reset      | 0x00000000  |              |       |   |  |  |  |  |  |  |  |  |  |  |  |  |  |  |  |  |  |  |  |  |  |  |  |  |  |  |  |
|            | 0           |              |       |   |  |  |  |  |  |  |  |  |  |  |  |  |  |  |  |  |  |  |  |  |  |  |  |  |  |  |  |
| ID         | Acce Field  | Value ID     | Value | Description   |  |  |  |  |  |  |  |  |  |  |  |  |  |  |  |  |  |  |  |  |  |  |  |  |  |  |  |
| A          | RW  | EVENTS_ERROR |       | NFC error reported. The ERRORSTATUS register contains details on the source of the error. |  |  |  |  |  |  |  |  |  |  |  |  |  |  |  |  |  |  |  |  |  |  |  |  |  |  |  |
|            |   | NotGenerated | 0     | Event not generated   |  |  |  |  |  |  |  |  |  |  |  |  |  |  |  |  |  |  |  |  |  |  |  |  |  |  |  |
|            |   | Generated    | 1     | Event generated   |  |  |  |  |  |  |  |  |  |  |  |  |  |  |  |  |  |  |  |  |  |  |  |  |  |  |  |

### 6.14.13.16 EVENTS\_RXERROR

Address offset: 0x128

NFC RX frame error reported. The FRAMESTATUS.RX register contains details on the source of the error.

| Bit number       | 31  | 30           | 29    | 28  | 27 | 26 | 25 | 24 | 23 | 22 | 21 | 20 | 19 | 18 | 17 | 16 | 15 | 14 | 13 | 12 | 11 | 10 | 9 | 8 | 7 | 6 | 5 | 4 | 3 | 2 | 1 | 0 |
|------------------|---|--------------|-------|---|----|----|----|----|----|----|----|----|----|----|----|----|----|----|----|----|----|----|---|---|---|---|---|---|---|---|---|---|
| ID               |   |              |       |   |    |    |    |    |    |    |    |    |    |    |    |    |    |    |    |    |    |    |   |   |   |   |   |   |   |   |   | A |
| Reset 0x00000000 | 0 |              |       |   |    |    |    |    |    |    |    |    |    |    |    |    |    |    |    |    |    |    |   |   |   |   |   |   |   |   |   |   |
| ID               | Acce Field  | Value ID     | Value | Description   |    |    |    |    |    |    |    |    |    |    |    |    |    |    |    |    |    |    |   |   |   |   |   |   |   |   |   |   |
| A                | RW EVENTS_RXERROR   |              |       | NFC RX frame error reported. The FRAMESTATUS.RX register contains details on the source of the error. |    |    |    |    |    |    |    |    |    |    |    |    |    |    |    |    |    |    |   |   |   |   |   |   |   |   |   |   |
|                  |   | NotGenerated | 0     | Event not generated   |    |    |    |    |    |    |    |    |    |    |    |    |    |    |    |    |    |    |   |   |   |   |   |   |   |   |   |   |
|                  |   | Generated    | 1     | Event generated   |    |    |    |    |    |    |    |    |    |    |    |    |    |    |    |    |    |    |   |   |   |   |   |   |   |   |   |   |

### 6.14.13.17 EVENTS\_ENDRX

Address offset: 0x12C

RX buffer (as defined by PACKETPTR and MAXLEN) in Data RAM full.

| Bit number       | 31  | 30           | 29    | 28   | 27 | 26 | 25 | 24 | 23 | 22 | 21 | 20 | 19 | 18 | 17 | 16 | 15 | 14 | 13 | 12 | 11 | 10 | 9 | 8 | 7 | 6 | 5 | 4 | 3 | 2 | 1 | 0 |
|------------------|---|--------------|-------|--|----|----|----|----|----|----|----|----|----|----|----|----|----|----|----|----|----|----|---|---|---|---|---|---|---|---|---|---|
| ID               |   |              |       |  |    |    |    |    |    |    |    |    |    |    |    |    |    |    |    |    |    |    |   |   |   |   |   |   |   |   |   | A |
| Reset 0x00000000 | 0 |              |       |  |    |    |    |    |    |    |    |    |    |    |    |    |    |    |    |    |    |    |   |   |   |   |   |   |   |   |   |   |
| ID               | Acce Field  | Value ID     | Value | Description  |    |    |    |    |    |    |    |    |    |    |    |    |    |    |    |    |    |    |   |   |   |   |   |   |   |   |   |   |
| A                | RW EVENTS_ENDRX   |              |       | RX buffer (as defined by PACKETPTR and MAXLEN) in Data RAM full. |    |    |    |    |    |    |    |    |    |    |    |    |    |    |    |    |    |    |   |   |   |   |   |   |   |   |   |   |
|                  |   | NotGenerated | 0     | Event not generated  |    |    |    |    |    |    |    |    |    |    |    |    |    |    |    |    |    |    |   |   |   |   |   |   |   |   |   |   |
|                  |   | Generated    | 1     | Event generated  |    |    |    |    |    |    |    |    |    |    |    |    |    |    |    |    |    |    |   |   |   |   |   |   |   |   |   |   |

### 6.14.13.18 EVENTS\_ENDTX

Address offset: 0x130

Transmission of data in RAM has ended, and EasyDMA has ended accessing the TX buffer

| Bit number       | 31  | 30           | 29    | 28   | 27 | 26 | 25 | 24 | 23 | 22 | 21 | 20 | 19 | 18 | 17 | 16 | 15 | 14 | 13 | 12 | 11 | 10 | 9 | 8 | 7 | 6 | 5 | 4 | 3 | 2 | 1 | 0 |
|------------------|---|--------------|-------|--|----|----|----|----|----|----|----|----|----|----|----|----|----|----|----|----|----|----|---|---|---|---|---|---|---|---|---|---|
| ID               |   |              |       |  |    |    |    |    |    |    |    |    |    |    |    |    |    |    |    |    |    |    |   |   |   |   |   |   |   |   |   | A |
| Reset 0x00000000 | 0 |              |       |  |    |    |    |    |    |    |    |    |    |    |    |    |    |    |    |    |    |    |   |   |   |   |   |   |   |   |   |   |
| ID               | Acce Field  | Value ID     | Value | Description  |    |    |    |    |    |    |    |    |    |    |    |    |    |    |    |    |    |    |   |   |   |   |   |   |   |   |   |   |
| A                | RW EVENTS_ENDTX   |              |       | Transmission of data in RAM has ended, and EasyDMA has ended accessing the TX buffer |    |    |    |    |    |    |    |    |    |    |    |    |    |    |    |    |    |    |   |   |   |   |   |   |   |   |   |   |
|                  |   | NotGenerated | 0     | Event not generated  |    |    |    |    |    |    |    |    |    |    |    |    |    |    |    |    |    |    |   |   |   |   |   |   |   |   |   |   |
|                  |   | Generated    | 1     | Event generated  |    |    |    |    |    |    |    |    |    |    |    |    |    |    |    |    |    |    |   |   |   |   |   |   |   |   |   |   |

### 6.14.13.19 EVENTS\_AUTOCOLRESSTARTED

Address offset: 0x138

Auto collision resolution process has started

| Bit number       | 31  | 30                       | 29    | 28  | 27 | 26 | 25 | 24 | 23 | 22 | 21 | 20 | 19 | 18 | 17 | 16 | 15 | 14 | 13 | 12 | 11 | 10 | 9 | 8 | 7 | 6 | 5 | 4 | 3 | 2 | 1 | 0 |
|------------------|---|--------------------------|-------|---|----|----|----|----|----|----|----|----|----|----|----|----|----|----|----|----|----|----|---|---|---|---|---|---|---|---|---|---|
| ID               |   |                          |       |   |    |    |    |    |    |    |    |    |    |    |    |    |    |    |    |    |    |    |   |   |   |   |   |   |   |   |   | A |
| Reset 0x00000000 | 0 |                          |       |   |    |    |    |    |    |    |    |    |    |    |    |    |    |    |    |    |    |    |   |   |   |   |   |   |   |   |   |   |
| ID               | Acce Field  | Value ID                 | Value | Description                                   |    |    |    |    |    |    |    |    |    |    |    |    |    |    |    |    |    |    |   |   |   |   |   |   |   |   |   |   |
| A                | RW  | EVENTS_AUTOCOLRESSTARTED |       | Auto collision resolution process has started |    |    |    |    |    |    |    |    |    |    |    |    |    |    |    |    |    |    |   |   |   |   |   |   |   |   |   |   |
|                  |   | NotGenerated             | 0     | Event not generated                           |    |    |    |    |    |    |    |    |    |    |    |    |    |    |    |    |    |    |   |   |   |   |   |   |   |   |   |   |
|                  |   | Generated                | 1     | Event generated                               |    |    |    |    |    |    |    |    |    |    |    |    |    |    |    |    |    |    |   |   |   |   |   |   |   |   |   |   |

### 6.14.13.20 EVENTS\_COLLISION

Address offset: 0x148

NFC auto collision resolution error reported.

| Bit number       | 31  | 30               | 29    | 28  | 27 | 26 | 25 | 24 | 23 | 22 | 21 | 20 | 19 | 18 | 17 | 16 | 15 | 14 | 13 | 12 | 11 | 10 | 9 | 8 | 7 | 6 | 5 | 4 | 3 | 2 | 1 | 0 |
|------------------|---|------------------|-------|---|----|----|----|----|----|----|----|----|----|----|----|----|----|----|----|----|----|----|---|---|---|---|---|---|---|---|---|---|
| ID               |   |                  |       |   |    |    |    |    |    |    |    |    |    |    |    |    |    |    |    |    |    |    |   |   |   |   |   |   |   |   |   | A |
| Reset 0x00000000 | 0 |                  |       |   |    |    |    |    |    |    |    |    |    |    |    |    |    |    |    |    |    |    |   |   |   |   |   |   |   |   |   |   |
| ID               | Acce Field  | Value ID         | Value | Description                                   |    |    |    |    |    |    |    |    |    |    |    |    |    |    |    |    |    |    |   |   |   |   |   |   |   |   |   |   |
| A                | RW  | EVENTS_COLLISION |       | NFC auto collision resolution error reported. |    |    |    |    |    |    |    |    |    |    |    |    |    |    |    |    |    |    |   |   |   |   |   |   |   |   |   |   |
|                  |   | NotGenerated     | 0     | Event not generated                           |    |    |    |    |    |    |    |    |    |    |    |    |    |    |    |    |    |    |   |   |   |   |   |   |   |   |   |   |
|                  |   | Generated        | 1     | Event generated                               |    |    |    |    |    |    |    |    |    |    |    |    |    |    |    |    |    |    |   |   |   |   |   |   |   |   |   |   |

### 6.14.13.21 EVENTS\_SELECTED

Address offset: 0x14C

NFC auto collision resolution successfully completed

| Bit number       | 31  | 30              | 29    | 28   | 27 | 26 | 25 | 24 | 23 | 22 | 21 | 20 | 19 | 18 | 17 | 16 | 15 | 14 | 13 | 12 | 11 | 10 | 9 | 8 | 7 | 6 | 5 | 4 | 3 | 2 | 1 | 0 |
|------------------|---|-----------------|-------|--|----|----|----|----|----|----|----|----|----|----|----|----|----|----|----|----|----|----|---|---|---|---|---|---|---|---|---|---|
| ID               |   |                 |       |  |    |    |    |    |    |    |    |    |    |    |    |    |    |    |    |    |    |    |   |   |   |   |   |   |   |   |   | A |
| Reset 0x00000000 | 0 |                 |       |  |    |    |    |    |    |    |    |    |    |    |    |    |    |    |    |    |    |    |   |   |   |   |   |   |   |   |   |   |
| ID               | Acce Field  | Value ID        | Value | Description  |    |    |    |    |    |    |    |    |    |    |    |    |    |    |    |    |    |    |   |   |   |   |   |   |   |   |   |   |
| A                | RW  | EVENTS_SELECTED |       | NFC auto collision resolution successfully completed |    |    |    |    |    |    |    |    |    |    |    |    |    |    |    |    |    |    |   |   |   |   |   |   |   |   |   |   |
|                  |   | NotGenerated    | 0     | Event not generated                                  |    |    |    |    |    |    |    |    |    |    |    |    |    |    |    |    |    |    |   |   |   |   |   |   |   |   |   |   |
|                  |   | Generated       | 1     | Event generated                                      |    |    |    |    |    |    |    |    |    |    |    |    |    |    |    |    |    |    |   |   |   |   |   |   |   |   |   |   |

### 6.14.13.22 EVENTS\_STARTED

Address offset: 0x150

EasyDMA is ready to receive or send frames.

| Bit number       | 31  | 30             | 29    | 28  | 27 | 26 | 25 | 24 | 23 | 22 | 21 | 20 | 19 | 18 | 17 | 16 | 15 | 14 | 13 | 12 | 11 | 10 | 9 | 8 | 7 | 6 | 5 | 4 | 3 | 2 | 1 | 0 |
|------------------|---|----------------|-------|---|----|----|----|----|----|----|----|----|----|----|----|----|----|----|----|----|----|----|---|---|---|---|---|---|---|---|---|---|
| ID               |   |                |       |   |    |    |    |    |    |    |    |    |    |    |    |    |    |    |    |    |    |    |   |   |   |   |   |   |   |   |   | A |
| Reset 0x00000000 | 0 |                |       |   |    |    |    |    |    |    |    |    |    |    |    |    |    |    |    |    |    |    |   |   |   |   |   |   |   |   |   |   |
| ID               | Acce Field  | Value ID       | Value | Description                                 |    |    |    |    |    |    |    |    |    |    |    |    |    |    |    |    |    |    |   |   |   |   |   |   |   |   |   |   |
| A                | RW  | EVENTS_STARTED |       | EasyDMA is ready to receive or send frames. |    |    |    |    |    |    |    |    |    |    |    |    |    |    |    |    |    |    |   |   |   |   |   |   |   |   |   |   |
|                  |   | NotGenerated   | 0     | Event not generated                         |    |    |    |    |    |    |    |    |    |    |    |    |    |    |    |    |    |    |   |   |   |   |   |   |   |   |   |   |
|                  |   | Generated      | 1     | Event generated                             |    |    |    |    |    |    |    |    |    |    |    |    |    |    |    |    |    |    |   |   |   |   |   |   |   |   |   |   |

### 6.14.13.23 SHORTS

Address offset: 0x200

Shortcuts between local events and tasks

| Bit number       | 31 30 29 28 27 26 25 24 23 22 21 20 19 18 17 16 15 14 13 12 11 10 9 8 7 6 5 4 3 2 1 0 |                         |          |       |   |  |  |  |  |  |  |  |  |  |  |  |  |  |  |  |  |  |  |  |  |  |  |  |  |   |   |   |
|------------------|---|-------------------------|----------|-------|---|--|--|--|--|--|--|--|--|--|--|--|--|--|--|--|--|--|--|--|--|--|--|--|--|---|---|---|
| ID               |   |                         |          |       |   |  |  |  |  |  |  |  |  |  |  |  |  |  |  |  |  |  |  |  |  |  |  |  |  | F | B | A |
| Reset 0x00000000 | 0               |                         |          |       |   |  |  |  |  |  |  |  |  |  |  |  |  |  |  |  |  |  |  |  |  |  |  |  |  |   |   |   |
| ID               | Acce  | Field                   | Value ID | Value | Description   |  |  |  |  |  |  |  |  |  |  |  |  |  |  |  |  |  |  |  |  |  |  |  |  |   |   |   |
| A                | RW  | FIELDDETECTED_ACTIVATE  | Disabled | 0     | Shortcut between event <a href="#">FIELDDETECTED</a> and task <a href="#">ACTIVATE</a><br>Disable shortcut  |  |  |  |  |  |  |  |  |  |  |  |  |  |  |  |  |  |  |  |  |  |  |  |  |   |   |   |
|                  |   |                         | Enabled  | 1     | Enable shortcut   |  |  |  |  |  |  |  |  |  |  |  |  |  |  |  |  |  |  |  |  |  |  |  |  |   |   |   |
| B                | RW  | FIELDLOST_SENSE         | Disabled | 0     | Shortcut between event <a href="#">FIELDLOST</a> and task <a href="#">SENSE</a><br>Disable shortcut         |  |  |  |  |  |  |  |  |  |  |  |  |  |  |  |  |  |  |  |  |  |  |  |  |   |   |   |
|                  |   |                         | Enabled  | 1     | Enable shortcut   |  |  |  |  |  |  |  |  |  |  |  |  |  |  |  |  |  |  |  |  |  |  |  |  |   |   |   |
| F                | RW  | TXFRAMEEND_ENABLERXDATA | Disabled | 0     | Shortcut between event <a href="#">TXFRAMEEND</a> and task <a href="#">ENABLERXDATA</a><br>Disable shortcut |  |  |  |  |  |  |  |  |  |  |  |  |  |  |  |  |  |  |  |  |  |  |  |  |   |   |   |
|                  |   |                         | Enabled  | 1     | Enable shortcut   |  |  |  |  |  |  |  |  |  |  |  |  |  |  |  |  |  |  |  |  |  |  |  |  |   |   |   |

### 6.14.13.24 INTEN

Address offset: 0x300

Enable or disable interrupt

| Bit number       | 31 30 29 28 27 26 25 24 23 22 21 20 19 18 17 16 15 14 13 12 11 10 9 8 7 6 5 4 3 2 1 0 |               |          |       |  |  |  |  |  |  |  |  |  |  |  |  |  |  |  |  |  |  |  |  |  |  |  |  |  |   |   |   |   |   |   |   |   |   |   |   |   |   |   |   |
|------------------|---|---------------|----------|-------|--|--|--|--|--|--|--|--|--|--|--|--|--|--|--|--|--|--|--|--|--|--|--|--|--|---|---|---|---|---|---|---|---|---|---|---|---|---|---|---|
| ID               |   |               |          |       |  |  |  |  |  |  |  |  |  |  |  |  |  |  |  |  |  |  |  |  |  |  |  |  |  | T | S | R | N | M | L | K | H | G | F | E | D | C | B | A |
| Reset 0x00000000 | 0               |               |          |       |  |  |  |  |  |  |  |  |  |  |  |  |  |  |  |  |  |  |  |  |  |  |  |  |  |   |   |   |   |   |   |   |   |   |   |   |   |   |   |   |
| ID               | Acce  | Field         | Value ID | Value | Description  |  |  |  |  |  |  |  |  |  |  |  |  |  |  |  |  |  |  |  |  |  |  |  |  |   |   |   |   |   |   |   |   |   |   |   |   |   |   |   |
| A                | RW  | READY         | Disabled | 0     | Enable or disable interrupt for event <a href="#">READY</a><br>Disable         |  |  |  |  |  |  |  |  |  |  |  |  |  |  |  |  |  |  |  |  |  |  |  |  |   |   |   |   |   |   |   |   |   |   |   |   |   |   |   |
|                  |   |               | Enabled  | 1     | Enable   |  |  |  |  |  |  |  |  |  |  |  |  |  |  |  |  |  |  |  |  |  |  |  |  |   |   |   |   |   |   |   |   |   |   |   |   |   |   |   |
| B                | RW  | FIELDDETECTED | Disabled | 0     | Enable or disable interrupt for event <a href="#">FIELDDETECTED</a><br>Disable |  |  |  |  |  |  |  |  |  |  |  |  |  |  |  |  |  |  |  |  |  |  |  |  |   |   |   |   |   |   |   |   |   |   |   |   |   |   |   |
|                  |   |               | Enabled  | 1     | Enable   |  |  |  |  |  |  |  |  |  |  |  |  |  |  |  |  |  |  |  |  |  |  |  |  |   |   |   |   |   |   |   |   |   |   |   |   |   |   |   |
| C                | RW  | FIELDLOST     | Disabled | 0     | Enable or disable interrupt for event <a href="#">FIELDLOST</a><br>Disable     |  |  |  |  |  |  |  |  |  |  |  |  |  |  |  |  |  |  |  |  |  |  |  |  |   |   |   |   |   |   |   |   |   |   |   |   |   |   |   |
|                  |   |               | Enabled  | 1     | Enable   |  |  |  |  |  |  |  |  |  |  |  |  |  |  |  |  |  |  |  |  |  |  |  |  |   |   |   |   |   |   |   |   |   |   |   |   |   |   |   |
| D                | RW  | TXFRAMESTART  | Disabled | 0     | Enable or disable interrupt for event <a href="#">TXFRAMESTART</a><br>Disable  |  |  |  |  |  |  |  |  |  |  |  |  |  |  |  |  |  |  |  |  |  |  |  |  |   |   |   |   |   |   |   |   |   |   |   |   |   |   |   |
|                  |   |               | Enabled  | 1     | Enable   |  |  |  |  |  |  |  |  |  |  |  |  |  |  |  |  |  |  |  |  |  |  |  |  |   |   |   |   |   |   |   |   |   |   |   |   |   |   |   |
| E                | RW  | TXFRAMEEND    | Disabled | 0     | Enable or disable interrupt for event <a href="#">TXFRAMEEND</a><br>Disable    |  |  |  |  |  |  |  |  |  |  |  |  |  |  |  |  |  |  |  |  |  |  |  |  |   |   |   |   |   |   |   |   |   |   |   |   |   |   |   |
|                  |   |               | Enabled  | 1     | Enable   |  |  |  |  |  |  |  |  |  |  |  |  |  |  |  |  |  |  |  |  |  |  |  |  |   |   |   |   |   |   |   |   |   |   |   |   |   |   |   |
| F                | RW  | RXFRAMESTART  | Disabled | 0     | Enable or disable interrupt for event <a href="#">RXFRAMESTART</a><br>Disable  |  |  |  |  |  |  |  |  |  |  |  |  |  |  |  |  |  |  |  |  |  |  |  |  |   |   |   |   |   |   |   |   |   |   |   |   |   |   |   |
|                  |   |               | Enabled  | 1     | Enable   |  |  |  |  |  |  |  |  |  |  |  |  |  |  |  |  |  |  |  |  |  |  |  |  |   |   |   |   |   |   |   |   |   |   |   |   |   |   |   |
| G                | RW  | RXFRAMEEND    | Disabled | 0     | Enable or disable interrupt for event <a href="#">RXFRAMEEND</a><br>Disable    |  |  |  |  |  |  |  |  |  |  |  |  |  |  |  |  |  |  |  |  |  |  |  |  |   |   |   |   |   |   |   |   |   |   |   |   |   |   |   |
|                  |   |               | Enabled  | 1     | Enable   |  |  |  |  |  |  |  |  |  |  |  |  |  |  |  |  |  |  |  |  |  |  |  |  |   |   |   |   |   |   |   |   |   |   |   |   |   |   |   |
| H                | RW  | ERROR         | Disabled | 0     | Enable or disable interrupt for event <a href="#">ERROR</a><br>Disable         |  |  |  |  |  |  |  |  |  |  |  |  |  |  |  |  |  |  |  |  |  |  |  |  |   |   |   |   |   |   |   |   |   |   |   |   |   |   |   |
|                  |   |               | Enabled  | 1     | Enable   |  |  |  |  |  |  |  |  |  |  |  |  |  |  |  |  |  |  |  |  |  |  |  |  |   |   |   |   |   |   |   |   |   |   |   |   |   |   |   |
| K                | RW  | RXERROR       | Disabled | 0     | Enable or disable interrupt for event <a href="#">RXERROR</a><br>Disable       |  |  |  |  |  |  |  |  |  |  |  |  |  |  |  |  |  |  |  |  |  |  |  |  |   |   |   |   |   |   |   |   |   |   |   |   |   |   |   |
|                  |   |               | Enabled  | 1     | Enable   |  |  |  |  |  |  |  |  |  |  |  |  |  |  |  |  |  |  |  |  |  |  |  |  |   |   |   |   |   |   |   |   |   |   |   |   |   |   |   |
| L                | RW  | ENDRX         | Disabled | 0     | Enable or disable interrupt for event <a href="#">ENDRX</a><br>Disable         |  |  |  |  |  |  |  |  |  |  |  |  |  |  |  |  |  |  |  |  |  |  |  |  |   |   |   |   |   |   |   |   |   |   |   |   |   |   |   |
|                  |   |               | Enabled  | 1     | Enable   |  |  |  |  |  |  |  |  |  |  |  |  |  |  |  |  |  |  |  |  |  |  |  |  |   |   |   |   |   |   |   |   |   |   |   |   |   |   |   |

| Bit number       |                      | 31 30 29 28 27 26 25 24 23 22 21 20 19 18 17 16 15 14 13 12 11 10 9 8 7 6 5 4 3 2 1 0 |       |   |  |  |  |  |  |  |  |  |  |   |  |  |  |       |  |  |  |                 |  |  |  |  |  |  |  |
|------------------|----------------------|---|-------|---|--|--|--|--|--|--|--|--|--|---|--|--|--|-------|--|--|--|-----------------|--|--|--|--|--|--|--|
| ID               |                      | T S R   |       |   |  |  |  |  |  |  |  |  |  | N |  |  |  | M L K |  |  |  | H G F E D C B A |  |  |  |  |  |  |  |
| Reset 0x00000000 |                      | 0                       |       |   |  |  |  |  |  |  |  |  |  |   |  |  |  |       |  |  |  |                 |  |  |  |  |  |  |  |
| ID               | Acce Field           | Value ID  | Value | Description   |  |  |  |  |  |  |  |  |  |   |  |  |  |       |  |  |  |                 |  |  |  |  |  |  |  |
|                  |                      | Enabled   | 1     | Enable  |  |  |  |  |  |  |  |  |  |   |  |  |  |       |  |  |  |                 |  |  |  |  |  |  |  |
| M                | RW ENDTX             |   |       | Enable or disable interrupt for event <a href="#">ENDTX</a>             |  |  |  |  |  |  |  |  |  |   |  |  |  |       |  |  |  |                 |  |  |  |  |  |  |  |
|                  |                      | Disabled  | 0     | Disable   |  |  |  |  |  |  |  |  |  |   |  |  |  |       |  |  |  |                 |  |  |  |  |  |  |  |
|                  |                      | Enabled   | 1     | Enable  |  |  |  |  |  |  |  |  |  |   |  |  |  |       |  |  |  |                 |  |  |  |  |  |  |  |
| N                | RW AUTOCOLRESSTARTED |   |       | Enable or disable interrupt for event <a href="#">AUTOCOLRESSTARTED</a> |  |  |  |  |  |  |  |  |  |   |  |  |  |       |  |  |  |                 |  |  |  |  |  |  |  |
|                  |                      | Disabled  | 0     | Disable   |  |  |  |  |  |  |  |  |  |   |  |  |  |       |  |  |  |                 |  |  |  |  |  |  |  |
|                  |                      | Enabled   | 1     | Enable  |  |  |  |  |  |  |  |  |  |   |  |  |  |       |  |  |  |                 |  |  |  |  |  |  |  |
| R                | RW COLLISION         |   |       | Enable or disable interrupt for event <a href="#">COLLISION</a>         |  |  |  |  |  |  |  |  |  |   |  |  |  |       |  |  |  |                 |  |  |  |  |  |  |  |
|                  |                      | Disabled  | 0     | Disable   |  |  |  |  |  |  |  |  |  |   |  |  |  |       |  |  |  |                 |  |  |  |  |  |  |  |
|                  |                      | Enabled   | 1     | Enable  |  |  |  |  |  |  |  |  |  |   |  |  |  |       |  |  |  |                 |  |  |  |  |  |  |  |
| S                | RW SELECTED          |   |       | Enable or disable interrupt for event <a href="#">SELECTED</a>          |  |  |  |  |  |  |  |  |  |   |  |  |  |       |  |  |  |                 |  |  |  |  |  |  |  |
|                  |                      | Disabled  | 0     | Disable   |  |  |  |  |  |  |  |  |  |   |  |  |  |       |  |  |  |                 |  |  |  |  |  |  |  |
|                  |                      | Enabled   | 1     | Enable  |  |  |  |  |  |  |  |  |  |   |  |  |  |       |  |  |  |                 |  |  |  |  |  |  |  |
| T                | RW STARTED           |   |       | Enable or disable interrupt for event <a href="#">STARTED</a>           |  |  |  |  |  |  |  |  |  |   |  |  |  |       |  |  |  |                 |  |  |  |  |  |  |  |
|                  |                      | Disabled  | 0     | Disable   |  |  |  |  |  |  |  |  |  |   |  |  |  |       |  |  |  |                 |  |  |  |  |  |  |  |
|                  |                      | Enabled   | 1     | Enable  |  |  |  |  |  |  |  |  |  |   |  |  |  |       |  |  |  |                 |  |  |  |  |  |  |  |

### 6.14.13.25 INTENSET

Address offset: 0x304

Enable interrupt

| Bit number       |                  | 31 30 29 28 27 26 25 24 23 22 21 20 19 18 17 16 15 14 13 12 11 10 9 8 7 6 5 4 3 2 1 0 |       |   |  |  |  |  |  |  |  |  |  |   |  |  |  |       |  |  |  |                 |  |  |  |  |  |  |  |
|------------------|------------------|---|-------|---|--|--|--|--|--|--|--|--|--|---|--|--|--|-------|--|--|--|-----------------|--|--|--|--|--|--|--|
| ID               |                  | T S R   |       |   |  |  |  |  |  |  |  |  |  | N |  |  |  | M L K |  |  |  | H G F E D C B A |  |  |  |  |  |  |  |
| Reset 0x00000000 |                  | 0                       |       |   |  |  |  |  |  |  |  |  |  |   |  |  |  |       |  |  |  |                 |  |  |  |  |  |  |  |
| ID               | Acce Field       | Value ID  | Value | Description   |  |  |  |  |  |  |  |  |  |   |  |  |  |       |  |  |  |                 |  |  |  |  |  |  |  |
| A                | RW READY         |   |       | Write '1' to enable interrupt for event <a href="#">READY</a>         |  |  |  |  |  |  |  |  |  |   |  |  |  |       |  |  |  |                 |  |  |  |  |  |  |  |
|                  |                  | Set   | 1     | Enable  |  |  |  |  |  |  |  |  |  |   |  |  |  |       |  |  |  |                 |  |  |  |  |  |  |  |
|                  |                  | Disabled  | 0     | Read: Disabled  |  |  |  |  |  |  |  |  |  |   |  |  |  |       |  |  |  |                 |  |  |  |  |  |  |  |
|                  |                  | Enabled   | 1     | Read: Enabled   |  |  |  |  |  |  |  |  |  |   |  |  |  |       |  |  |  |                 |  |  |  |  |  |  |  |
| B                | RW FIELDDETECTED |   |       | Write '1' to enable interrupt for event <a href="#">FIELDDETECTED</a> |  |  |  |  |  |  |  |  |  |   |  |  |  |       |  |  |  |                 |  |  |  |  |  |  |  |
|                  |                  | Set   | 1     | Enable  |  |  |  |  |  |  |  |  |  |   |  |  |  |       |  |  |  |                 |  |  |  |  |  |  |  |
|                  |                  | Disabled  | 0     | Read: Disabled  |  |  |  |  |  |  |  |  |  |   |  |  |  |       |  |  |  |                 |  |  |  |  |  |  |  |
|                  |                  | Enabled   | 1     | Read: Enabled   |  |  |  |  |  |  |  |  |  |   |  |  |  |       |  |  |  |                 |  |  |  |  |  |  |  |
| C                | RW FIELDLOST     |   |       | Write '1' to enable interrupt for event <a href="#">FIELDLOST</a>     |  |  |  |  |  |  |  |  |  |   |  |  |  |       |  |  |  |                 |  |  |  |  |  |  |  |
|                  |                  | Set   | 1     | Enable  |  |  |  |  |  |  |  |  |  |   |  |  |  |       |  |  |  |                 |  |  |  |  |  |  |  |
|                  |                  | Disabled  | 0     | Read: Disabled  |  |  |  |  |  |  |  |  |  |   |  |  |  |       |  |  |  |                 |  |  |  |  |  |  |  |
|                  |                  | Enabled   | 1     | Read: Enabled   |  |  |  |  |  |  |  |  |  |   |  |  |  |       |  |  |  |                 |  |  |  |  |  |  |  |
| D                | RW TXFRAMESTART  |   |       | Write '1' to enable interrupt for event <a href="#">TXFRAMESTART</a>  |  |  |  |  |  |  |  |  |  |   |  |  |  |       |  |  |  |                 |  |  |  |  |  |  |  |
|                  |                  | Set   | 1     | Enable  |  |  |  |  |  |  |  |  |  |   |  |  |  |       |  |  |  |                 |  |  |  |  |  |  |  |
|                  |                  | Disabled  | 0     | Read: Disabled  |  |  |  |  |  |  |  |  |  |   |  |  |  |       |  |  |  |                 |  |  |  |  |  |  |  |
|                  |                  | Enabled   | 1     | Read: Enabled   |  |  |  |  |  |  |  |  |  |   |  |  |  |       |  |  |  |                 |  |  |  |  |  |  |  |
| E                | RW TXFRAMEEND    |   |       | Write '1' to enable interrupt for event <a href="#">TXFRAMEEND</a>    |  |  |  |  |  |  |  |  |  |   |  |  |  |       |  |  |  |                 |  |  |  |  |  |  |  |
|                  |                  | Set   | 1     | Enable  |  |  |  |  |  |  |  |  |  |   |  |  |  |       |  |  |  |                 |  |  |  |  |  |  |  |
|                  |                  | Disabled  | 0     | Read: Disabled  |  |  |  |  |  |  |  |  |  |   |  |  |  |       |  |  |  |                 |  |  |  |  |  |  |  |
|                  |                  | Enabled   | 1     | Read: Enabled   |  |  |  |  |  |  |  |  |  |   |  |  |  |       |  |  |  |                 |  |  |  |  |  |  |  |
| F                | RW RXFRAMESTART  |   |       | Write '1' to enable interrupt for event <a href="#">RXFRAMESTART</a>  |  |  |  |  |  |  |  |  |  |   |  |  |  |       |  |  |  |                 |  |  |  |  |  |  |  |
|                  |                  | Set   | 1     | Enable  |  |  |  |  |  |  |  |  |  |   |  |  |  |       |  |  |  |                 |  |  |  |  |  |  |  |
|                  |                  | Disabled  | 0     | Read: Disabled  |  |  |  |  |  |  |  |  |  |   |  |  |  |       |  |  |  |                 |  |  |  |  |  |  |  |

| Bit number       |                      | 31 30 29 28 27 26 25 24 23 22 21 20 19 18 17 16 15 14 13 12 11 10 9 8 7 6 5 4 3 2 1 0 |       |   |  |  |  |  |  |  |  |  |  |   |  |  |  |       |  |  |  |                 |  |  |  |  |  |  |  |
|------------------|----------------------|---|-------|---|--|--|--|--|--|--|--|--|--|---|--|--|--|-------|--|--|--|-----------------|--|--|--|--|--|--|--|
| ID               |                      | T S R   |       |   |  |  |  |  |  |  |  |  |  | N |  |  |  | M L K |  |  |  | H G F E D C B A |  |  |  |  |  |  |  |
| Reset 0x00000000 |                      | 0                       |       |   |  |  |  |  |  |  |  |  |  |   |  |  |  |       |  |  |  |                 |  |  |  |  |  |  |  |
| ID               | Acce Field           | Value ID  | Value | Description   |  |  |  |  |  |  |  |  |  |   |  |  |  |       |  |  |  |                 |  |  |  |  |  |  |  |
|                  |                      | Enabled   | 1     | Read: Enabled   |  |  |  |  |  |  |  |  |  |   |  |  |  |       |  |  |  |                 |  |  |  |  |  |  |  |
| G                | RW RXFRAMEEND        |   |       | Write '1' to enable interrupt for event <a href="#">RXFRAMEEND</a>        |  |  |  |  |  |  |  |  |  |   |  |  |  |       |  |  |  |                 |  |  |  |  |  |  |  |
|                  |                      | Set   | 1     | Enable  |  |  |  |  |  |  |  |  |  |   |  |  |  |       |  |  |  |                 |  |  |  |  |  |  |  |
|                  |                      | Disabled  | 0     | Read: Disabled  |  |  |  |  |  |  |  |  |  |   |  |  |  |       |  |  |  |                 |  |  |  |  |  |  |  |
|                  |                      | Enabled   | 1     | Read: Enabled   |  |  |  |  |  |  |  |  |  |   |  |  |  |       |  |  |  |                 |  |  |  |  |  |  |  |
| H                | RW ERROR             |   |       | Write '1' to enable interrupt for event <a href="#">ERROR</a>             |  |  |  |  |  |  |  |  |  |   |  |  |  |       |  |  |  |                 |  |  |  |  |  |  |  |
|                  |                      | Set   | 1     | Enable  |  |  |  |  |  |  |  |  |  |   |  |  |  |       |  |  |  |                 |  |  |  |  |  |  |  |
|                  |                      | Disabled  | 0     | Read: Disabled  |  |  |  |  |  |  |  |  |  |   |  |  |  |       |  |  |  |                 |  |  |  |  |  |  |  |
|                  |                      | Enabled   | 1     | Read: Enabled   |  |  |  |  |  |  |  |  |  |   |  |  |  |       |  |  |  |                 |  |  |  |  |  |  |  |
| K                | RW RXERROR           |   |       | Write '1' to enable interrupt for event <a href="#">RXERROR</a>           |  |  |  |  |  |  |  |  |  |   |  |  |  |       |  |  |  |                 |  |  |  |  |  |  |  |
|                  |                      | Set   | 1     | Enable  |  |  |  |  |  |  |  |  |  |   |  |  |  |       |  |  |  |                 |  |  |  |  |  |  |  |
|                  |                      | Disabled  | 0     | Read: Disabled  |  |  |  |  |  |  |  |  |  |   |  |  |  |       |  |  |  |                 |  |  |  |  |  |  |  |
|                  |                      | Enabled   | 1     | Read: Enabled   |  |  |  |  |  |  |  |  |  |   |  |  |  |       |  |  |  |                 |  |  |  |  |  |  |  |
| L                | RW ENDRX             |   |       | Write '1' to enable interrupt for event <a href="#">ENDRX</a>             |  |  |  |  |  |  |  |  |  |   |  |  |  |       |  |  |  |                 |  |  |  |  |  |  |  |
|                  |                      | Set   | 1     | Enable  |  |  |  |  |  |  |  |  |  |   |  |  |  |       |  |  |  |                 |  |  |  |  |  |  |  |
|                  |                      | Disabled  | 0     | Read: Disabled  |  |  |  |  |  |  |  |  |  |   |  |  |  |       |  |  |  |                 |  |  |  |  |  |  |  |
|                  |                      | Enabled   | 1     | Read: Enabled   |  |  |  |  |  |  |  |  |  |   |  |  |  |       |  |  |  |                 |  |  |  |  |  |  |  |
| M                | RW ENDTX             |   |       | Write '1' to enable interrupt for event <a href="#">ENDTX</a>             |  |  |  |  |  |  |  |  |  |   |  |  |  |       |  |  |  |                 |  |  |  |  |  |  |  |
|                  |                      | Set   | 1     | Enable  |  |  |  |  |  |  |  |  |  |   |  |  |  |       |  |  |  |                 |  |  |  |  |  |  |  |
|                  |                      | Disabled  | 0     | Read: Disabled  |  |  |  |  |  |  |  |  |  |   |  |  |  |       |  |  |  |                 |  |  |  |  |  |  |  |
|                  |                      | Enabled   | 1     | Read: Enabled   |  |  |  |  |  |  |  |  |  |   |  |  |  |       |  |  |  |                 |  |  |  |  |  |  |  |
| N                | RW AUTOCOLRESSTARTED |   |       | Write '1' to enable interrupt for event <a href="#">AUTOCOLRESSTARTED</a> |  |  |  |  |  |  |  |  |  |   |  |  |  |       |  |  |  |                 |  |  |  |  |  |  |  |
|                  |                      | Set   | 1     | Enable  |  |  |  |  |  |  |  |  |  |   |  |  |  |       |  |  |  |                 |  |  |  |  |  |  |  |
|                  |                      | Disabled  | 0     | Read: Disabled  |  |  |  |  |  |  |  |  |  |   |  |  |  |       |  |  |  |                 |  |  |  |  |  |  |  |
|                  |                      | Enabled   | 1     | Read: Enabled   |  |  |  |  |  |  |  |  |  |   |  |  |  |       |  |  |  |                 |  |  |  |  |  |  |  |
| R                | RW COLLISION         |   |       | Write '1' to enable interrupt for event <a href="#">COLLISION</a>         |  |  |  |  |  |  |  |  |  |   |  |  |  |       |  |  |  |                 |  |  |  |  |  |  |  |
|                  |                      | Set   | 1     | Enable  |  |  |  |  |  |  |  |  |  |   |  |  |  |       |  |  |  |                 |  |  |  |  |  |  |  |
|                  |                      | Disabled  | 0     | Read: Disabled  |  |  |  |  |  |  |  |  |  |   |  |  |  |       |  |  |  |                 |  |  |  |  |  |  |  |
|                  |                      | Enabled   | 1     | Read: Enabled   |  |  |  |  |  |  |  |  |  |   |  |  |  |       |  |  |  |                 |  |  |  |  |  |  |  |
| S                | RW SELECTED          |   |       | Write '1' to enable interrupt for event <a href="#">SELECTED</a>          |  |  |  |  |  |  |  |  |  |   |  |  |  |       |  |  |  |                 |  |  |  |  |  |  |  |
|                  |                      | Set   | 1     | Enable  |  |  |  |  |  |  |  |  |  |   |  |  |  |       |  |  |  |                 |  |  |  |  |  |  |  |
|                  |                      | Disabled  | 0     | Read: Disabled  |  |  |  |  |  |  |  |  |  |   |  |  |  |       |  |  |  |                 |  |  |  |  |  |  |  |
|                  |                      | Enabled   | 1     | Read: Enabled   |  |  |  |  |  |  |  |  |  |   |  |  |  |       |  |  |  |                 |  |  |  |  |  |  |  |
| T                | RW STARTED           |   |       | Write '1' to enable interrupt for event <a href="#">STARTED</a>           |  |  |  |  |  |  |  |  |  |   |  |  |  |       |  |  |  |                 |  |  |  |  |  |  |  |
|                  |                      | Set   | 1     | Enable  |  |  |  |  |  |  |  |  |  |   |  |  |  |       |  |  |  |                 |  |  |  |  |  |  |  |
|                  |                      | Disabled  | 0     | Read: Disabled  |  |  |  |  |  |  |  |  |  |   |  |  |  |       |  |  |  |                 |  |  |  |  |  |  |  |
|                  |                      | Enabled   | 1     | Read: Enabled   |  |  |  |  |  |  |  |  |  |   |  |  |  |       |  |  |  |                 |  |  |  |  |  |  |  |

### 6.14.13.26 INTENCLR

Address offset: 0x308

Disable interrupt

| Bit number       |            | 31 30 29 28 27 26 25 24 23 22 21 20 19 18 17 16 15 14 13 12 11 10 9 8 7 6 5 4 3 2 1 0 |       |  |  |  |  |  |  |  |  |  |  |   |  |  |  |       |  |  |  |                 |  |  |  |  |  |  |  |
|------------------|------------|---|-------|--|--|--|--|--|--|--|--|--|--|---|--|--|--|-------|--|--|--|-----------------|--|--|--|--|--|--|--|
| ID               |            | T S R   |       |  |  |  |  |  |  |  |  |  |  | N |  |  |  | M L K |  |  |  | H G F E D C B A |  |  |  |  |  |  |  |
| Reset 0x00000000 |            | 0                       |       |  |  |  |  |  |  |  |  |  |  |   |  |  |  |       |  |  |  |                 |  |  |  |  |  |  |  |
| ID               | Acce Field | Value ID  | Value | Description  |  |  |  |  |  |  |  |  |  |   |  |  |  |       |  |  |  |                 |  |  |  |  |  |  |  |
| A                | RW READY   |   |       | Write '1' to disable interrupt for event <a href="#">READY</a> |  |  |  |  |  |  |  |  |  |   |  |  |  |       |  |  |  |                 |  |  |  |  |  |  |  |

| Bit number       |                      | 31 30 29 28 27 26 25 24 23 22 21 20 19 18 17 16 15 14 13 12 11 10 9 8 7 6 5 4 3 2 1 0 |       |  |  |  |  |  |  |  |  |  |  |   |  |  |       |  |  |                 |  |  |  |  |  |  |  |  |  |
|------------------|----------------------|---|-------|--|--|--|--|--|--|--|--|--|--|---|--|--|-------|--|--|-----------------|--|--|--|--|--|--|--|--|--|
| ID               |                      | T S R   |       |  |  |  |  |  |  |  |  |  |  | N |  |  | M L K |  |  | H G F E D C B A |  |  |  |  |  |  |  |  |  |
| Reset 0x00000000 |                      | 0                       |       |  |  |  |  |  |  |  |  |  |  |   |  |  |       |  |  |                 |  |  |  |  |  |  |  |  |  |
| ID               | Acces Field          | Value ID  | Value | Description  |  |  |  |  |  |  |  |  |  |   |  |  |       |  |  |                 |  |  |  |  |  |  |  |  |  |
|                  |                      | Clear   | 1     | Disable  |  |  |  |  |  |  |  |  |  |   |  |  |       |  |  |                 |  |  |  |  |  |  |  |  |  |
|                  |                      | Disabled  | 0     | Read: Disabled   |  |  |  |  |  |  |  |  |  |   |  |  |       |  |  |                 |  |  |  |  |  |  |  |  |  |
|                  |                      | Enabled   | 1     | Read: Enabled  |  |  |  |  |  |  |  |  |  |   |  |  |       |  |  |                 |  |  |  |  |  |  |  |  |  |
| B                | RW FIELDDETECTED     |   |       | Write '1' to disable interrupt for event <a href="#">FIELDDETECTED</a>     |  |  |  |  |  |  |  |  |  |   |  |  |       |  |  |                 |  |  |  |  |  |  |  |  |  |
|                  |                      | Clear   | 1     | Disable  |  |  |  |  |  |  |  |  |  |   |  |  |       |  |  |                 |  |  |  |  |  |  |  |  |  |
|                  |                      | Disabled  | 0     | Read: Disabled   |  |  |  |  |  |  |  |  |  |   |  |  |       |  |  |                 |  |  |  |  |  |  |  |  |  |
|                  |                      | Enabled   | 1     | Read: Enabled  |  |  |  |  |  |  |  |  |  |   |  |  |       |  |  |                 |  |  |  |  |  |  |  |  |  |
| C                | RW FIELDLOST         |   |       | Write '1' to disable interrupt for event <a href="#">FIELDLOST</a>         |  |  |  |  |  |  |  |  |  |   |  |  |       |  |  |                 |  |  |  |  |  |  |  |  |  |
|                  |                      | Clear   | 1     | Disable  |  |  |  |  |  |  |  |  |  |   |  |  |       |  |  |                 |  |  |  |  |  |  |  |  |  |
|                  |                      | Disabled  | 0     | Read: Disabled   |  |  |  |  |  |  |  |  |  |   |  |  |       |  |  |                 |  |  |  |  |  |  |  |  |  |
|                  |                      | Enabled   | 1     | Read: Enabled  |  |  |  |  |  |  |  |  |  |   |  |  |       |  |  |                 |  |  |  |  |  |  |  |  |  |
| D                | RW TXFRAMESTART      |   |       | Write '1' to disable interrupt for event <a href="#">TXFRAMESTART</a>      |  |  |  |  |  |  |  |  |  |   |  |  |       |  |  |                 |  |  |  |  |  |  |  |  |  |
|                  |                      | Clear   | 1     | Disable  |  |  |  |  |  |  |  |  |  |   |  |  |       |  |  |                 |  |  |  |  |  |  |  |  |  |
|                  |                      | Disabled  | 0     | Read: Disabled   |  |  |  |  |  |  |  |  |  |   |  |  |       |  |  |                 |  |  |  |  |  |  |  |  |  |
|                  |                      | Enabled   | 1     | Read: Enabled  |  |  |  |  |  |  |  |  |  |   |  |  |       |  |  |                 |  |  |  |  |  |  |  |  |  |
| E                | RW TXFRAMEEND        |   |       | Write '1' to disable interrupt for event <a href="#">TXFRAMEEND</a>        |  |  |  |  |  |  |  |  |  |   |  |  |       |  |  |                 |  |  |  |  |  |  |  |  |  |
|                  |                      | Clear   | 1     | Disable  |  |  |  |  |  |  |  |  |  |   |  |  |       |  |  |                 |  |  |  |  |  |  |  |  |  |
|                  |                      | Disabled  | 0     | Read: Disabled   |  |  |  |  |  |  |  |  |  |   |  |  |       |  |  |                 |  |  |  |  |  |  |  |  |  |
|                  |                      | Enabled   | 1     | Read: Enabled  |  |  |  |  |  |  |  |  |  |   |  |  |       |  |  |                 |  |  |  |  |  |  |  |  |  |
| F                | RW RXFRAMESTART      |   |       | Write '1' to disable interrupt for event <a href="#">RXFRAMESTART</a>      |  |  |  |  |  |  |  |  |  |   |  |  |       |  |  |                 |  |  |  |  |  |  |  |  |  |
|                  |                      | Clear   | 1     | Disable  |  |  |  |  |  |  |  |  |  |   |  |  |       |  |  |                 |  |  |  |  |  |  |  |  |  |
|                  |                      | Disabled  | 0     | Read: Disabled   |  |  |  |  |  |  |  |  |  |   |  |  |       |  |  |                 |  |  |  |  |  |  |  |  |  |
|                  |                      | Enabled   | 1     | Read: Enabled  |  |  |  |  |  |  |  |  |  |   |  |  |       |  |  |                 |  |  |  |  |  |  |  |  |  |
| G                | RW RXFRAMEEND        |   |       | Write '1' to disable interrupt for event <a href="#">RXFRAMEEND</a>        |  |  |  |  |  |  |  |  |  |   |  |  |       |  |  |                 |  |  |  |  |  |  |  |  |  |
|                  |                      | Clear   | 1     | Disable  |  |  |  |  |  |  |  |  |  |   |  |  |       |  |  |                 |  |  |  |  |  |  |  |  |  |
|                  |                      | Disabled  | 0     | Read: Disabled   |  |  |  |  |  |  |  |  |  |   |  |  |       |  |  |                 |  |  |  |  |  |  |  |  |  |
|                  |                      | Enabled   | 1     | Read: Enabled  |  |  |  |  |  |  |  |  |  |   |  |  |       |  |  |                 |  |  |  |  |  |  |  |  |  |
| H                | RW ERROR             |   |       | Write '1' to disable interrupt for event <a href="#">ERROR</a>             |  |  |  |  |  |  |  |  |  |   |  |  |       |  |  |                 |  |  |  |  |  |  |  |  |  |
|                  |                      | Clear   | 1     | Disable  |  |  |  |  |  |  |  |  |  |   |  |  |       |  |  |                 |  |  |  |  |  |  |  |  |  |
|                  |                      | Disabled  | 0     | Read: Disabled   |  |  |  |  |  |  |  |  |  |   |  |  |       |  |  |                 |  |  |  |  |  |  |  |  |  |
|                  |                      | Enabled   | 1     | Read: Enabled  |  |  |  |  |  |  |  |  |  |   |  |  |       |  |  |                 |  |  |  |  |  |  |  |  |  |
| K                | RW RXERROR           |   |       | Write '1' to disable interrupt for event <a href="#">RXERROR</a>           |  |  |  |  |  |  |  |  |  |   |  |  |       |  |  |                 |  |  |  |  |  |  |  |  |  |
|                  |                      | Clear   | 1     | Disable  |  |  |  |  |  |  |  |  |  |   |  |  |       |  |  |                 |  |  |  |  |  |  |  |  |  |
|                  |                      | Disabled  | 0     | Read: Disabled   |  |  |  |  |  |  |  |  |  |   |  |  |       |  |  |                 |  |  |  |  |  |  |  |  |  |
|                  |                      | Enabled   | 1     | Read: Enabled  |  |  |  |  |  |  |  |  |  |   |  |  |       |  |  |                 |  |  |  |  |  |  |  |  |  |
| L                | RW ENDRX             |   |       | Write '1' to disable interrupt for event <a href="#">ENDRX</a>             |  |  |  |  |  |  |  |  |  |   |  |  |       |  |  |                 |  |  |  |  |  |  |  |  |  |
|                  |                      | Clear   | 1     | Disable  |  |  |  |  |  |  |  |  |  |   |  |  |       |  |  |                 |  |  |  |  |  |  |  |  |  |
|                  |                      | Disabled  | 0     | Read: Disabled   |  |  |  |  |  |  |  |  |  |   |  |  |       |  |  |                 |  |  |  |  |  |  |  |  |  |
|                  |                      | Enabled   | 1     | Read: Enabled  |  |  |  |  |  |  |  |  |  |   |  |  |       |  |  |                 |  |  |  |  |  |  |  |  |  |
| M                | RW ENDTX             |   |       | Write '1' to disable interrupt for event <a href="#">ENDTX</a>             |  |  |  |  |  |  |  |  |  |   |  |  |       |  |  |                 |  |  |  |  |  |  |  |  |  |
|                  |                      | Clear   | 1     | Disable  |  |  |  |  |  |  |  |  |  |   |  |  |       |  |  |                 |  |  |  |  |  |  |  |  |  |
|                  |                      | Disabled  | 0     | Read: Disabled   |  |  |  |  |  |  |  |  |  |   |  |  |       |  |  |                 |  |  |  |  |  |  |  |  |  |
|                  |                      | Enabled   | 1     | Read: Enabled  |  |  |  |  |  |  |  |  |  |   |  |  |       |  |  |                 |  |  |  |  |  |  |  |  |  |
| N                | RW AUTOCOLRESSTARTED |   |       | Write '1' to disable interrupt for event <a href="#">AUTOCOLRESSTARTED</a> |  |  |  |  |  |  |  |  |  |   |  |  |       |  |  |                 |  |  |  |  |  |  |  |  |  |
|                  |                      | Clear   | 1     | Disable  |  |  |  |  |  |  |  |  |  |   |  |  |       |  |  |                 |  |  |  |  |  |  |  |  |  |
|                  |                      | Disabled  | 0     | Read: Disabled   |  |  |  |  |  |  |  |  |  |   |  |  |       |  |  |                 |  |  |  |  |  |  |  |  |  |
|                  |                      | Enabled   | 1     | Read: Enabled  |  |  |  |  |  |  |  |  |  |   |  |  |       |  |  |                 |  |  |  |  |  |  |  |  |  |
| R                | RW COLLISION         |   |       | Write '1' to disable interrupt for event <a href="#">COLLISION</a>         |  |  |  |  |  |  |  |  |  |   |  |  |       |  |  |                 |  |  |  |  |  |  |  |  |  |
|                  |                      | Clear   | 1     | Disable  |  |  |  |  |  |  |  |  |  |   |  |  |       |  |  |                 |  |  |  |  |  |  |  |  |  |



| Bit number       | 31 | 30 | 29 | 28 | 27 | 26 | 25 | 24 | 23 | 22 | 21 | 20 | 19 | 18 | 17 | 16 | 15 | 14 | 13 | 12 | 11 | 10 | 9 | 8 | 7 | 6 | 5 | 4 | 3 | 2 | 1 | 0 |   |   |   |   |   |   |   |
|------------------|----|----|----|----|----|----|----|----|----|----|----|----|----|----|----|----|----|----|----|----|----|----|---|---|---|---|---|---|---|---|---|---|---|---|---|---|---|---|---|
| ID               |    |    |    |    |    |    |    |    |    |    |    |    |    |    |    |    | T  | S  | R  |    |    |    | N | M | L | K |   |   |   | H | G | F | E | D | C | B | A |   |   |
| Reset 0x00000000 | 0  |    |    |    |    |    |    |    |    |    |    |    |    |    |    |    | 0  | 0  | 0  | 0  |    |    | 0 | 0 | 0 | 0 | 0 |   |   | 0 | 0 | 0 | 0 | 0 | 0 | 0 | 0 | 0 | 0 |

| ID | Acce Field  | Value ID | Value | Description  |
|----|-------------|----------|-------|--|
|    |             | Disabled | 0     | Read: Disabled   |
|    |             | Enabled  | 1     | Read: Enabled  |
| S  | RW SELECTED |          |       | Write '1' to disable interrupt for event <b>SELECTED</b> |
|    |             | Clear    | 1     | Disable  |
|    |             | Disabled | 0     | Read: Disabled   |
|    |             | Enabled  | 1     | Read: Enabled  |
| T  | RW STARTED  |          |       | Write '1' to disable interrupt for event <b>STARTED</b>  |
|    |             | Clear    | 1     | Disable  |
|    |             | Disabled | 0     | Read: Disabled   |
|    |             | Enabled  | 1     | Read: Enabled  |

### 6.14.13.27 ERRORSTATUS

Address offset: 0x404

NFC Error Status register

Write a bit to '1' to clear it. Writing '0' has no effect.

| Bit number       | 31 | 30 | 29 | 28 | 27 | 26 | 25 | 24 | 23 | 22 | 21 | 20 | 19 | 18 | 17 | 16 | 15 | 14 | 13 | 12 | 11 | 10 | 9 | 8 | 7 | 6 | 5 | 4 | 3 | 2 | 1 | 0 |   |   |   |   |   |   |
|------------------|----|----|----|----|----|----|----|----|----|----|----|----|----|----|----|----|----|----|----|----|----|----|---|---|---|---|---|---|---|---|---|---|---|---|---|---|---|---|
| ID               |    |    |    |    |    |    |    |    |    |    |    |    |    |    |    |    |    |    |    |    |    |    |   |   |   |   |   |   | A |   |   |   |   |   |   |   |   |   |
| Reset 0x00000000 | 0  |    |    |    |    |    |    |    |    |    |    |    |    |    |    |    | 0  | 0  | 0  | 0  |    |    | 0 | 0 | 0 | 0 | 0 |   |   | 0 | 0 | 0 | 0 | 0 | 0 | 0 | 0 | 0 |

| ID | Acce Field           | Value ID | Value | Description  |
|----|----------------------|----------|-------|--|
| A  | RW FRAMEDELAYTIMEOUT |          |       | No STARTTX task triggered before expiration of the time set in FRAMEDELAYMAX |

### 6.14.13.28 FRAMESTATUS.RX

Address offset: 0x40C

Result of last incoming frame

Write a bit to '1' to clear it. Writing '0' has no effect.

| Bit number       | 31 | 30 | 29 | 28 | 27 | 26 | 25 | 24 | 23 | 22 | 21 | 20 | 19 | 18 | 17 | 16 | 15 | 14 | 13 | 12 | 11 | 10 | 9 | 8 | 7 | 6 | 5 | 4 | 3 | 2 | 1 | 0 |   |   |   |   |   |   |
|------------------|----|----|----|----|----|----|----|----|----|----|----|----|----|----|----|----|----|----|----|----|----|----|---|---|---|---|---|---|---|---|---|---|---|---|---|---|---|---|
| ID               |    |    |    |    |    |    |    |    |    |    |    |    |    |    |    |    |    |    |    |    |    |    |   |   |   |   |   |   | C | B | A |   |   |   |   |   |   |   |
| Reset 0x00000000 | 0  |    |    |    |    |    |    |    |    |    |    |    |    |    |    |    | 0  | 0  | 0  | 0  |    |    | 0 | 0 | 0 | 0 | 0 |   |   | 0 | 0 | 0 | 0 | 0 | 0 | 0 | 0 | 0 |

| ID | Acce Field      | Value ID    | Value | Description                             |
|----|-----------------|-------------|-------|---|
| A  | RW CRCERROR     |             |       | No valid end of frame (EoF) detected    |
|    |                 | CRCCorrect  | 0     | Valid CRC detected                      |
|    |                 | CRCError    | 1     | CRC received does not match local check |
| B  | RW PARITYSTATUS |             |       | Parity status of received frame         |
|    |                 | ParityOK    | 0     | Frame received with parity OK           |
|    |                 | ParityError | 1     | Frame received with parity error        |
| C  | RW OVERRUN      |             |       | Overrun detected                        |
|    |                 | NoOverrun   | 0     | No overrun detected                     |
|    |                 | Overrun     | 1     | Overrun error                           |

### 6.14.13.29 NFCTAGSTATE

Address offset: 0x410

NfcTag state register

| Bit number       | 31  | 30          | 29         | 28    | 27                | 26 | 25 | 24 | 23 | 22 | 21 | 20 | 19 | 18 | 17 | 16 | 15 | 14 | 13 | 12 | 11 | 10 | 9 | 8 | 7 | 6 | 5 | 4 | 3 | 2 | 1 | 0 |
|------------------|---|-------------|------------|-------|-------------------|----|----|----|----|----|----|----|----|----|----|----|----|----|----|----|----|----|---|---|---|---|---|---|---|---|---|---|
| ID               |   |             |            |       |                   |    |    |    |    |    |    |    |    |    |    |    |    |    |    |    |    |    |   |   |   |   | A | A | A |   |   |   |
| Reset 0x00000000 | 0 |             |            |       |                   |    |    |    |    |    |    |    |    |    |    |    |    |    |    |    |    |    |   |   |   |   |   |   |   |   |   |   |
| ID               | Acce  | Field       | Value ID   | Value | Description       |    |    |    |    |    |    |    |    |    |    |    |    |    |    |    |    |    |   |   |   |   |   |   |   |   |   |   |
| A                | R   | NFCTAGSTATE |            |       | NfcTag state      |    |    |    |    |    |    |    |    |    |    |    |    |    |    |    |    |    |   |   |   |   |   |   |   |   |   |   |
|                  |   |             | Disabled   | 0     | Disabled or sense |    |    |    |    |    |    |    |    |    |    |    |    |    |    |    |    |    |   |   |   |   |   |   |   |   |   |   |
|                  |   |             | RampUp     | 2     | RampUp            |    |    |    |    |    |    |    |    |    |    |    |    |    |    |    |    |    |   |   |   |   |   |   |   |   |   |   |
|                  |   |             | Idle       | 3     | Idle              |    |    |    |    |    |    |    |    |    |    |    |    |    |    |    |    |    |   |   |   |   |   |   |   |   |   |   |
|                  |   |             | Receive    | 4     | Receive           |    |    |    |    |    |    |    |    |    |    |    |    |    |    |    |    |    |   |   |   |   |   |   |   |   |   |   |
|                  |   |             | FrameDelay | 5     | FrameDelay        |    |    |    |    |    |    |    |    |    |    |    |    |    |    |    |    |    |   |   |   |   |   |   |   |   |   |   |
|                  |   |             | Transmit   | 6     | Transmit          |    |    |    |    |    |    |    |    |    |    |    |    |    |    |    |    |    |   |   |   |   |   |   |   |   |   |   |

### 6.14.13.30 SLEEPSTATE

Address offset: 0x420

Sleep state during automatic collision resolution

| Bit number       | 31  | 30         | 29       | 28    | 27  | 26 | 25 | 24 | 23 | 22 | 21 | 20 | 19 | 18 | 17 | 16 | 15 | 14 | 13 | 12 | 11 | 10 | 9 | 8 | 7 | 6 | 5 | 4 | 3 | 2 | 1 | 0 |
|------------------|---|------------|----------|-------|---|----|----|----|----|----|----|----|----|----|----|----|----|----|----|----|----|----|---|---|---|---|---|---|---|---|---|---|
| ID               |   |            |          |       |   |    |    |    |    |    |    |    |    |    |    |    |    |    |    |    |    |    |   |   |   |   | A |   |   |   |   |   |
| Reset 0x00000000 | 0 |            |          |       |   |    |    |    |    |    |    |    |    |    |    |    |    |    |    |    |    |    |   |   |   |   |   |   |   |   |   |   |
| ID               | Acce  | Field      | Value ID | Value | Description   |    |    |    |    |    |    |    |    |    |    |    |    |    |    |    |    |    |   |   |   |   |   |   |   |   |   |   |
| A                | R   | SLEEPSTATE |          |       | Reflects the sleep state during automatic collision resolution. Set to IDLE by a GOIDLE task. Set to SLEEP_A when a valid SLEEP_REQ frame is received or by a GOSLEEP task. |    |    |    |    |    |    |    |    |    |    |    |    |    |    |    |    |    |   |   |   |   |   |   |   |   |   |   |
|                  |   |            | Idle     | 0     | State is IDLE.  |    |    |    |    |    |    |    |    |    |    |    |    |    |    |    |    |    |   |   |   |   |   |   |   |   |   |   |
|                  |   |            | SleepA   | 1     | State is SLEEP_A.   |    |    |    |    |    |    |    |    |    |    |    |    |    |    |    |    |    |   |   |   |   |   |   |   |   |   |   |

### 6.14.13.31 FIELDPRESENT

Address offset: 0x43C

Indicates the presence or not of a valid field

| Bit number       | 31  | 30           | 29           | 28    | 27  | 26 | 25 | 24 | 23 | 22 | 21 | 20 | 19 | 18 | 17 | 16 | 15 | 14 | 13 | 12 | 11 | 10 | 9 | 8 | 7 | 6 | 5 | 4 | 3 | 2 | 1 | 0 |
|------------------|---|--------------|--------------|-------|---|----|----|----|----|----|----|----|----|----|----|----|----|----|----|----|----|----|---|---|---|---|---|---|---|---|---|---|
| ID               |   |              |              |       |   |    |    |    |    |    |    |    |    |    |    |    |    |    |    |    |    |    |   |   |   |   | B | A |   |   |   |   |
| Reset 0x00000000 | 0 |              |              |       |   |    |    |    |    |    |    |    |    |    |    |    |    |    |    |    |    |    |   |   |   |   |   |   |   |   |   |   |
| ID               | Acce  | Field        | Value ID     | Value | Description   |    |    |    |    |    |    |    |    |    |    |    |    |    |    |    |    |    |   |   |   |   |   |   |   |   |   |   |
| A                | R   | FIELDPRESENT |              |       | Indicates if a valid field is present. Available only in the activated state. |    |    |    |    |    |    |    |    |    |    |    |    |    |    |    |    |    |   |   |   |   |   |   |   |   |   |   |
|                  |   |              | NoField      | 0     | No valid field detected   |    |    |    |    |    |    |    |    |    |    |    |    |    |    |    |    |    |   |   |   |   |   |   |   |   |   |   |
|                  |   |              | FieldPresent | 1     | Valid field detected  |    |    |    |    |    |    |    |    |    |    |    |    |    |    |    |    |    |   |   |   |   |   |   |   |   |   |   |
| B                | R   | LOCKDETECT   |              |       | Indicates if the low level has locked to the field                            |    |    |    |    |    |    |    |    |    |    |    |    |    |    |    |    |    |   |   |   |   |   |   |   |   |   |   |
|                  |   |              | NotLocked    | 0     | Not locked to field   |    |    |    |    |    |    |    |    |    |    |    |    |    |    |    |    |    |   |   |   |   |   |   |   |   |   |   |
|                  |   |              | Locked       | 1     | Locked to field   |    |    |    |    |    |    |    |    |    |    |    |    |    |    |    |    |    |   |   |   |   |   |   |   |   |   |   |

### 6.14.13.32 FRAMEDELAYMIN

Address offset: 0x504

Minimum frame delay

| Bit number       | 31         | 30            | 29    | 28  | 27 | 26 | 25 | 24 | 23 | 22 | 21 | 20 | 19 | 18 | 17 | 16 | 15 | 14 | 13 | 12 | 11 | 10 | 9 | 8 | 7 | 6 | 5 | 4 | 3 | 2 | 1 | 0 |   |   |   |   |   |   |   |   |   |   |   |   |   |   |   |   |   |
|------------------|------------|---------------|-------|---|----|----|----|----|----|----|----|----|----|----|----|----|----|----|----|----|----|----|---|---|---|---|---|---|---|---|---|---|---|---|---|---|---|---|---|---|---|---|---|---|---|---|---|---|---|
| ID               |            |               |       |   |    |    |    |    |    |    |    |    |    |    |    |    | A  | A  | A  | A  | A  | A  | A | A | A | A | A | A | A | A | A | A | A | A | A | A | A | A | A | A | A | A | A | A | A | A | A | A |   |
| Reset 0x00000480 | 0          |               |       |   |    |    |    |    |    |    |    |    |    |    |    |    | 0  | 0  | 0  | 0  | 0  | 0  | 0 | 0 | 0 | 0 | 0 | 0 | 0 | 0 | 0 | 0 | 0 | 0 | 0 | 0 | 0 | 0 | 0 | 0 | 0 | 0 | 0 | 0 | 0 | 0 | 0 | 0 | 0 |
| ID               | Acce Field | Value ID      | Value | Description                                       |    |    |    |    |    |    |    |    |    |    |    |    |    |    |    |    |    |    |   |   |   |   |   |   |   |   |   |   |   |   |   |   |   |   |   |   |   |   |   |   |   |   |   |   |   |
| A                | RW         | FRAMEDELAYMIN |       | Minimum frame delay in number of 13.56 MHz clocks |    |    |    |    |    |    |    |    |    |    |    |    |    |    |    |    |    |    |   |   |   |   |   |   |   |   |   |   |   |   |   |   |   |   |   |   |   |   |   |   |   |   |   |   |   |

### 6.14.13.33 FRAMEDELAYMAX

Address offset: 0x508

Maximum frame delay

| Bit number       | 31         | 30            | 29    | 28  | 27 | 26 | 25 | 24 | 23 | 22 | 21 | 20 | 19 | 18 | 17 | 16 | 15 | 14 | 13 | 12 | 11 | 10 | 9 | 8 | 7 | 6 | 5 | 4 | 3 | 2 | 1 | 0 |   |   |   |   |   |   |   |   |   |   |   |   |   |   |   |   |
|------------------|------------|---------------|-------|---|----|----|----|----|----|----|----|----|----|----|----|----|----|----|----|----|----|----|---|---|---|---|---|---|---|---|---|---|---|---|---|---|---|---|---|---|---|---|---|---|---|---|---|---|
| ID               |            |               |       |   |    |    |    |    |    |    |    |    |    |    |    |    | A  | A  | A  | A  | A  | A  | A | A | A | A | A | A | A | A | A | A | A | A | A | A | A | A | A | A | A | A | A | A | A | A | A |   |
| Reset 0x00001000 | 0          |               |       |   |    |    |    |    |    |    |    |    |    |    |    |    | 0  | 0  | 0  | 0  | 0  | 0  | 0 | 0 | 0 | 0 | 0 | 0 | 0 | 0 | 0 | 0 | 0 | 0 | 0 | 0 | 0 | 0 | 0 | 0 | 0 | 0 | 0 | 0 | 0 | 0 | 0 | 0 |
| ID               | Acce Field | Value ID      | Value | Description                                       |    |    |    |    |    |    |    |    |    |    |    |    |    |    |    |    |    |    |   |   |   |   |   |   |   |   |   |   |   |   |   |   |   |   |   |   |   |   |   |   |   |   |   |   |
| A                | RW         | FRAMEDELAYMAX |       | Maximum frame delay in number of 13.56 MHz clocks |    |    |    |    |    |    |    |    |    |    |    |    |    |    |    |    |    |    |   |   |   |   |   |   |   |   |   |   |   |   |   |   |   |   |   |   |   |   |   |   |   |   |   |   |

### 6.14.13.34 FRAMEDELAYMODE

Address offset: 0x50C

Configuration register for the Frame Delay Timer

| Bit number       | 31         | 30             | 29    | 28  | 27 | 26 | 25 | 24 | 23 | 22 | 21 | 20 | 19 | 18 | 17 | 16 | 15 | 14 | 13 | 12 | 11 | 10 | 9 | 8 | 7 | 6 | 5 | 4 | 3 | 2 | 1 | 0 |   |   |   |   |   |   |   |   |   |   |   |   |   |   |   |
|------------------|------------|----------------|-------|---|----|----|----|----|----|----|----|----|----|----|----|----|----|----|----|----|----|----|---|---|---|---|---|---|---|---|---|---|---|---|---|---|---|---|---|---|---|---|---|---|---|---|---|
| ID               |            |                |       |   |    |    |    |    |    |    |    |    |    |    |    |    | A  | A  |    |    |    |    |   |   |   |   |   |   |   |   |   |   |   |   |   |   |   |   |   |   |   |   |   |   |   |   |   |
| Reset 0x00000001 | 0          |                |       |   |    |    |    |    |    |    |    |    |    |    |    |    | 0  | 0  | 0  | 0  | 0  | 0  | 0 | 0 | 0 | 0 | 0 | 0 | 0 | 0 | 0 | 0 | 0 | 0 | 0 | 0 | 0 | 0 | 0 | 0 | 0 | 0 | 0 | 0 | 0 | 0 | 1 |
| ID               | Acce Field | Value ID       | Value | Description   |    |    |    |    |    |    |    |    |    |    |    |    |    |    |    |    |    |    |   |   |   |   |   |   |   |   |   |   |   |   |   |   |   |   |   |   |   |   |   |   |   |   |   |
| A                | RW         | FRAMEDELAYMODE |       | Configuration register for the Frame Delay Timer  |    |    |    |    |    |    |    |    |    |    |    |    |    |    |    |    |    |    |   |   |   |   |   |   |   |   |   |   |   |   |   |   |   |   |   |   |   |   |   |   |   |   |   |
|                  |            | FreeRun        | 0     | Transmission is independent of frame timer and will start when the STARTTX task is triggered. No timeout. |    |    |    |    |    |    |    |    |    |    |    |    |    |    |    |    |    |    |   |   |   |   |   |   |   |   |   |   |   |   |   |   |   |   |   |   |   |   |   |   |   |   |   |
|                  |            | Window         | 1     | Frame is transmitted between FRAMEDELAYMIN and FRAMEDELAYMAX  |    |    |    |    |    |    |    |    |    |    |    |    |    |    |    |    |    |    |   |   |   |   |   |   |   |   |   |   |   |   |   |   |   |   |   |   |   |   |   |   |   |   |   |
|                  |            | ExactVal       | 2     | Frame is transmitted exactly at FRAMEDELAYMAX   |    |    |    |    |    |    |    |    |    |    |    |    |    |    |    |    |    |    |   |   |   |   |   |   |   |   |   |   |   |   |   |   |   |   |   |   |   |   |   |   |   |   |   |
|                  |            | WindowGrid     | 3     | Frame is transmitted on a bit grid between FRAMEDELAYMIN and FRAMEDELAYMAX                                |    |    |    |    |    |    |    |    |    |    |    |    |    |    |    |    |    |    |   |   |   |   |   |   |   |   |   |   |   |   |   |   |   |   |   |   |   |   |   |   |   |   |   |

### 6.14.13.35 PACKETPTR

Address offset: 0x510

Packet pointer for TXD and RXD data storage in Data RAM

| Bit number       | 31         | 30       | 29    | 28   | 27 | 26 | 25 | 24 | 23 | 22 | 21 | 20 | 19 | 18 | 17 | 16 | 15 | 14 | 13 | 12 | 11 | 10 | 9 | 8 | 7 | 6 | 5 | 4 | 3 | 2 | 1 | 0 |
|------------------|------------|----------|-------|--|----|----|----|----|----|----|----|----|----|----|----|----|----|----|----|----|----|----|---|---|---|---|---|---|---|---|---|---|
| ID               | A          | A        | A     | A  | A  | A  | A  | A  | A  | A  | A  | A  | A  | A  | A  | A  | A  | A  | A  | A  | A  | A  | A | A | A | A | A | A | A | A | A | A |
| Reset 0x00000000 | 0          |          |       |  |    |    |    |    |    |    |    |    |    |    |    |    |    |    |    |    |    |    |   |   |   |   |   |   |   |   |   |   |
| ID               | Acce Field | Value ID | Value | Description  |    |    |    |    |    |    |    |    |    |    |    |    |    |    |    |    |    |    |   |   |   |   |   |   |   |   |   |   |
| A                | RW         | PTR      |       | Packet pointer for TXD and RXD data storage in Data RAM. This address is a byte-aligned RAM address. |    |    |    |    |    |    |    |    |    |    |    |    |    |    |    |    |    |    |   |   |   |   |   |   |   |   |   |   |

**Note:** See the memory chapter for details about which memories are available for EasyDMA.

### 6.14.13.36 MAXLEN

Address offset: 0x514

Size of the RAM buffer allocated to TXD and RXD data storage each

| Bit number              | 31 30 29 28 27 26 25 24 23 22 21 20 19 18 17 16 15 14 13 12 11 10 9 8 7 6 5 4 3 2 1 0 |          |          |   |  |  |  |  |  |  |  |  |  |  |  |  |  |  |  |  |  |  |  |  |  |  |  |  |   |   |   |   |   |   |   |   |   |   |   |   |   |   |   |   |   |   |   |   |   |   |   |   |   |   |   |   |   |   |   |   |
|-------------------------|---|----------|----------|---|--|--|--|--|--|--|--|--|--|--|--|--|--|--|--|--|--|--|--|--|--|--|--|--|---|---|---|---|---|---|---|---|---|---|---|---|---|---|---|---|---|---|---|---|---|---|---|---|---|---|---|---|---|---|---|---|
| ID                      |   |          |          |   |  |  |  |  |  |  |  |  |  |  |  |  |  |  |  |  |  |  |  |  |  |  |  |  | A | A | A | A | A | A | A | A | A | A | A | A | A | A | A | A | A | A | A | A | A | A | A | A | A | A | A | A | A | A | A | A |
| <b>Reset 0x00000000</b> | <b>0 0</b>  |          |          |   |  |  |  |  |  |  |  |  |  |  |  |  |  |  |  |  |  |  |  |  |  |  |  |  |   |   |   |   |   |   |   |   |   |   |   |   |   |   |   |   |   |   |   |   |   |   |   |   |   |   |   |   |   |   |   |   |
| ID                      | Acce Field  | Value ID | Value    | Description   |  |  |  |  |  |  |  |  |  |  |  |  |  |  |  |  |  |  |  |  |  |  |  |  |   |   |   |   |   |   |   |   |   |   |   |   |   |   |   |   |   |   |   |   |   |   |   |   |   |   |   |   |   |   |   |   |
| A                       | RW  | MAXLEN   | [0..257] | Size of the RAM buffer allocated to TXD and RXD data storage each |  |  |  |  |  |  |  |  |  |  |  |  |  |  |  |  |  |  |  |  |  |  |  |  |   |   |   |   |   |   |   |   |   |   |   |   |   |   |   |   |   |   |   |   |   |   |   |   |   |   |   |   |   |   |   |   |

### 6.14.13.37 TXD.FRAMECONFIG

Address offset: 0x518

Configuration of outgoing frames

| Bit number              | 31 30 29 28 27 26 25 24 23 22 21 20 19 18 17 16 15 14 13 12 11 10 9 8 7 6 5 4 3 2 1 0                |              |       |   |  |  |  |  |  |  |  |  |  |  |  |  |  |  |  |  |  |  |  |  |  |  |  |  |   |   |   |   |
|-------------------------|--|--------------|-------|---|--|--|--|--|--|--|--|--|--|--|--|--|--|--|--|--|--|--|--|--|--|--|--|--|---|---|---|---|
| ID                      |  |              |       |   |  |  |  |  |  |  |  |  |  |  |  |  |  |  |  |  |  |  |  |  |  |  |  |  | D | C | B | A |
| <b>Reset 0x00000017</b> | <b>0 1 0 1 1 1</b> |              |       |   |  |  |  |  |  |  |  |  |  |  |  |  |  |  |  |  |  |  |  |  |  |  |  |  |   |   |   |   |
| ID                      | Acce Field   | Value ID     | Value | Description   |  |  |  |  |  |  |  |  |  |  |  |  |  |  |  |  |  |  |  |  |  |  |  |  |   |   |   |   |
| A                       | RW   | PARITY       |       | Indicates if parity is added to the frame   |  |  |  |  |  |  |  |  |  |  |  |  |  |  |  |  |  |  |  |  |  |  |  |  |   |   |   |   |
|                         |  | NoParity     | 0     | Parity is not added to TX frames  |  |  |  |  |  |  |  |  |  |  |  |  |  |  |  |  |  |  |  |  |  |  |  |  |   |   |   |   |
|                         |  | Parity       | 1     | Parity is added to TX frames  |  |  |  |  |  |  |  |  |  |  |  |  |  |  |  |  |  |  |  |  |  |  |  |  |   |   |   |   |
| B                       | RW   | DISCARDMODE  |       | Discarding unused bits at start or end of a frame   |  |  |  |  |  |  |  |  |  |  |  |  |  |  |  |  |  |  |  |  |  |  |  |  |   |   |   |   |
|                         |  | DiscardEnd   | 0     | Unused bits are discarded at end of frame (EoF)   |  |  |  |  |  |  |  |  |  |  |  |  |  |  |  |  |  |  |  |  |  |  |  |  |   |   |   |   |
|                         |  | DiscardStart | 1     | Unused bits are discarded at start of frame (SoF)   |  |  |  |  |  |  |  |  |  |  |  |  |  |  |  |  |  |  |  |  |  |  |  |  |   |   |   |   |
| C                       | RW   | SOF          |       | Adding SoF or not in TX frames  |  |  |  |  |  |  |  |  |  |  |  |  |  |  |  |  |  |  |  |  |  |  |  |  |   |   |   |   |
|                         |  | NoSoF        | 0     | SoF symbol not added  |  |  |  |  |  |  |  |  |  |  |  |  |  |  |  |  |  |  |  |  |  |  |  |  |   |   |   |   |
|                         |  | SoF          | 1     | SoF symbol added  |  |  |  |  |  |  |  |  |  |  |  |  |  |  |  |  |  |  |  |  |  |  |  |  |   |   |   |   |
| D                       | RW   | CRCMODETX    |       | CRC mode for outgoing frames  |  |  |  |  |  |  |  |  |  |  |  |  |  |  |  |  |  |  |  |  |  |  |  |  |   |   |   |   |
|                         |  | NoCRCTX      | 0     | CRC is not added to the frame   |  |  |  |  |  |  |  |  |  |  |  |  |  |  |  |  |  |  |  |  |  |  |  |  |   |   |   |   |
|                         |  | CRC16TX      | 1     | 16 bit CRC added to the frame based on all the data read from RAM that is used in the frame |  |  |  |  |  |  |  |  |  |  |  |  |  |  |  |  |  |  |  |  |  |  |  |  |   |   |   |   |

### 6.14.13.38 TXD.AMOUNT

Address offset: 0x51C

Size of outgoing frame

| Bit number              | 31 30 29 28 27 26 25 24 23 22 21 20 19 18 17 16 15 14 13 12 11 10 9 8 7 6 5 4 3 2 1 0                    |             |          |  |  |  |  |  |  |  |  |  |  |  |  |  |  |  |  |  |  |  |  |  |  |  |  |  |   |   |   |   |   |   |   |   |   |   |   |   |   |   |   |   |   |   |   |   |   |   |   |   |   |   |   |   |   |   |   |   |   |   |   |
|-------------------------|--|-------------|----------|--|--|--|--|--|--|--|--|--|--|--|--|--|--|--|--|--|--|--|--|--|--|--|--|--|---|---|---|---|---|---|---|---|---|---|---|---|---|---|---|---|---|---|---|---|---|---|---|---|---|---|---|---|---|---|---|---|---|---|---|
| ID                      |  |             |          |  |  |  |  |  |  |  |  |  |  |  |  |  |  |  |  |  |  |  |  |  |  |  |  |  | B | B | B | B | B | B | B | B | B | B | B | B | B | B | B | B | B | B | B | B | B | B | B | B | B | B | B | B | B | B | B | B | B | B | B |
| <b>Reset 0x00000000</b> | <b>0 0</b> |             |          |  |  |  |  |  |  |  |  |  |  |  |  |  |  |  |  |  |  |  |  |  |  |  |  |  |   |   |   |   |   |   |   |   |   |   |   |   |   |   |   |   |   |   |   |   |   |   |   |   |   |   |   |   |   |   |   |   |   |   |   |
| ID                      | Acce Field   | Value ID    | Value    | Description  |  |  |  |  |  |  |  |  |  |  |  |  |  |  |  |  |  |  |  |  |  |  |  |  |   |   |   |   |   |   |   |   |   |   |   |   |   |   |   |   |   |   |   |   |   |   |   |   |   |   |   |   |   |   |   |   |   |   |   |
| A                       | RW   | TXDATABITS  | [0..7]   | Number of bits in the last or first byte read from RAM that shall be included in the frame (excluding parity bit).   |  |  |  |  |  |  |  |  |  |  |  |  |  |  |  |  |  |  |  |  |  |  |  |  |   |   |   |   |   |   |   |   |   |   |   |   |   |   |   |   |   |   |   |   |   |   |   |   |   |   |   |   |   |   |   |   |   |   |   |
|                         |  |             |          | The DISCARDMODE field in FRAMECONFIG.TX selects if unused bits is discarded at the start or at the end of a frame. A value of 0 data bytes and 0 data bits is invalid. |  |  |  |  |  |  |  |  |  |  |  |  |  |  |  |  |  |  |  |  |  |  |  |  |   |   |   |   |   |   |   |   |   |   |   |   |   |   |   |   |   |   |   |   |   |   |   |   |   |   |   |   |   |   |   |   |   |   |   |
| B                       | RW   | TXDATABYTES | [0..257] | Number of complete bytes that shall be included in the frame, excluding CRC, parity and framing  |  |  |  |  |  |  |  |  |  |  |  |  |  |  |  |  |  |  |  |  |  |  |  |  |   |   |   |   |   |   |   |   |   |   |   |   |   |   |   |   |   |   |   |   |   |   |   |   |   |   |   |   |   |   |   |   |   |   |   |

### 6.14.13.39 RXD.FRAMECONFIG

Address offset: 0x520

Configuration of incoming frames

| Bit number              | 31 30 29 28 27 26 25 24 23 22 21 20 19 18 17 16 15 14 13 12 11 10 9 8 7 6 5 4 3 2 1 0 |          |       |   |  |  |  |  |  |  |  |  |  |  |  |  |  |  |  |  |  |  |  |  |  |  |  |  |  |   |   |   |
|-------------------------|---|----------|-------|---|--|--|--|--|--|--|--|--|--|--|--|--|--|--|--|--|--|--|--|--|--|--|--|--|--|---|---|---|
| ID                      |   |          |       |   |  |  |  |  |  |  |  |  |  |  |  |  |  |  |  |  |  |  |  |  |  |  |  |  |  | C | B | A |
| <b>Reset 0x00000015</b> | <b>0 1 0 1 0 1</b>        |          |       |   |  |  |  |  |  |  |  |  |  |  |  |  |  |  |  |  |  |  |  |  |  |  |  |  |  |   |   |   |
| ID                      | Acce Field  | Value ID | Value | Description   |  |  |  |  |  |  |  |  |  |  |  |  |  |  |  |  |  |  |  |  |  |  |  |  |  |   |   |   |
| A                       | RW PARITY   | NoParity | 0     | Indicates if parity expected in RX frame<br>Parity is not expected in RX frames |  |  |  |  |  |  |  |  |  |  |  |  |  |  |  |  |  |  |  |  |  |  |  |  |  |   |   |   |
|                         |   | Parity   | 1     | Parity is expected in RX frames   |  |  |  |  |  |  |  |  |  |  |  |  |  |  |  |  |  |  |  |  |  |  |  |  |  |   |   |   |
| B                       | RW SOF  | NoSoF    | 0     | SoF expected or not in RX frames<br>SoF symbol is not expected in RX frames     |  |  |  |  |  |  |  |  |  |  |  |  |  |  |  |  |  |  |  |  |  |  |  |  |  |   |   |   |
|                         |   | SoF      | 1     | SoF symbol is expected in RX frames   |  |  |  |  |  |  |  |  |  |  |  |  |  |  |  |  |  |  |  |  |  |  |  |  |  |   |   |   |
| C                       | RW CRCMODERX  | NoCRCRX  | 0     | CRC mode for incoming frames<br>CRC is not expected in RX frames                |  |  |  |  |  |  |  |  |  |  |  |  |  |  |  |  |  |  |  |  |  |  |  |  |  |   |   |   |
|                         |   | CRC16RX  | 1     | Last 16 bits in RX frame is CRC, CRC is checked and<br>CRCSTATUS updated        |  |  |  |  |  |  |  |  |  |  |  |  |  |  |  |  |  |  |  |  |  |  |  |  |  |   |   |   |

### 6.14.13.40 RXD.AMOUNT

Address offset: 0x524

Size of last incoming frame

| Bit number              | 31 30 29 28 27 26 25 24 23 22 21 20 19 18 17 16 15 14 13 12 11 10 9 8 7 6 5 4 3 2 1 0 |          |       |  |  |  |  |  |  |  |  |  |  |  |  |  |  |  |  |  |  |  |  |  |  |  |  |  |  |   |   |   |   |   |   |   |   |   |   |   |   |
|-------------------------|---|----------|-------|--|--|--|--|--|--|--|--|--|--|--|--|--|--|--|--|--|--|--|--|--|--|--|--|--|--|---|---|---|---|---|---|---|---|---|---|---|---|
| ID                      |   |          |       |  |  |  |  |  |  |  |  |  |  |  |  |  |  |  |  |  |  |  |  |  |  |  |  |  |  | B | B | B | B | B | B | B | B | B | A | A | A |
| <b>Reset 0x00000000</b> | <b>0 0</b>            |          |       |  |  |  |  |  |  |  |  |  |  |  |  |  |  |  |  |  |  |  |  |  |  |  |  |  |  |   |   |   |   |   |   |   |   |   |   |   |   |
| ID                      | Acce Field  | Value ID | Value | Description  |  |  |  |  |  |  |  |  |  |  |  |  |  |  |  |  |  |  |  |  |  |  |  |  |  |   |   |   |   |   |   |   |   |   |   |   |   |
| A                       | R RXDATABITS  |          |       | Number of bits in the last byte in the frame, if less than 8<br>(including CRC, but excluding parity and SoF/EoF framing).<br><br>Frames with 0 data bytes and less than 7 data bits are<br>invalid and are not received properly. |  |  |  |  |  |  |  |  |  |  |  |  |  |  |  |  |  |  |  |  |  |  |  |  |  |   |   |   |   |   |   |   |   |   |   |   |   |
| B                       | R RXDATABYTES   |          |       | Number of complete bytes received in the frame (including<br>CRC, but excluding parity and SoF/EoF framing)  |  |  |  |  |  |  |  |  |  |  |  |  |  |  |  |  |  |  |  |  |  |  |  |  |  |   |   |   |   |   |   |   |   |   |   |   |   |

### 6.14.13.41 NFCID1\_LAST

Address offset: 0x590

Last NFCID1 part (4, 7 or 10 bytes ID)

| Bit number              | 31 30 29 28 27 26 25 24 23 22 21 20 19 18 17 16 15 14 13 12 11 10 9 8 7 6 5 4 3 2 1 0 |          |       |                                     |   |   |   |   |   |   |   |   |   |   |   |   |   |   |   |   |   |   |   |   |   |   |   |   |  |  |  |
|-------------------------|---|----------|-------|-------------------------------------|---|---|---|---|---|---|---|---|---|---|---|---|---|---|---|---|---|---|---|---|---|---|---|---|--|--|--|
| ID                      | D   | D        | D     | D                                   | D | D | D | C | C | C | C | C | C | C | B | B | B | B | B | B | B | A | A | A | A | A | A | A |  |  |  |
| <b>Reset 0x00006363</b> | <b>0 0 0 0 0 0 0 0 0 0 0 0 0 0 0 0 0 0 1 1 0 0 0 1 1 0 1 1 0 0 0 1 1</b>              |          |       |                                     |   |   |   |   |   |   |   |   |   |   |   |   |   |   |   |   |   |   |   |   |   |   |   |   |  |  |  |
| ID                      | Acce Field  | Value ID | Value | Description                         |   |   |   |   |   |   |   |   |   |   |   |   |   |   |   |   |   |   |   |   |   |   |   |   |  |  |  |
| A                       | RW NFCID1_Z   |          |       | NFCID1 byte Z (very last byte sent) |   |   |   |   |   |   |   |   |   |   |   |   |   |   |   |   |   |   |   |   |   |   |   |   |  |  |  |
| B                       | RW NFCID1_Y   |          |       | NFCID1 byte Y                       |   |   |   |   |   |   |   |   |   |   |   |   |   |   |   |   |   |   |   |   |   |   |   |   |  |  |  |
| C                       | RW NFCID1_X   |          |       | NFCID1 byte X                       |   |   |   |   |   |   |   |   |   |   |   |   |   |   |   |   |   |   |   |   |   |   |   |   |  |  |  |
| D                       | RW NFCID1_W   |          |       | NFCID1 byte W                       |   |   |   |   |   |   |   |   |   |   |   |   |   |   |   |   |   |   |   |   |   |   |   |   |  |  |  |

### 6.14.13.42 NFCID1\_2ND\_LAST

Address offset: 0x594

Second last NFCID1 part (7 or 10 bytes ID)

| Bit number       | 31         | 30       | 29    | 28            | 27 | 26 | 25 | 24 | 23 | 22 | 21 | 20 | 19 | 18 | 17 | 16 | 15 | 14 | 13 | 12 | 11 | 10 | 9 | 8 | 7 | 6 | 5 | 4 | 3 | 2 | 1 | 0 |
|------------------|------------|----------|-------|---------------|----|----|----|----|----|----|----|----|----|----|----|----|----|----|----|----|----|----|---|---|---|---|---|---|---|---|---|---|
| ID               |            |          |       |               |    |    |    |    | C  | C  | C  | C  | C  | C  | C  | B  | B  | B  | B  | B  | B  | B  | B | A | A | A | A | A | A | A | A | A |
| Reset 0x00000000 | 0          | 0        | 0     | 0             | 0  | 0  | 0  | 0  | 0  | 0  | 0  | 0  | 0  | 0  | 0  | 0  | 0  | 0  | 0  | 0  | 0  | 0  | 0 | 0 | 0 | 0 | 0 | 0 | 0 | 0 | 0 | 0 |
| ID               | Acce Field | Value ID | Value | Description   |    |    |    |    |    |    |    |    |    |    |    |    |    |    |    |    |    |    |   |   |   |   |   |   |   |   |   |   |
| A                | RW         | NFCID1_V |       | NFCID1 byte V |    |    |    |    |    |    |    |    |    |    |    |    |    |    |    |    |    |    |   |   |   |   |   |   |   |   |   |   |
| B                | RW         | NFCID1_U |       | NFCID1 byte U |    |    |    |    |    |    |    |    |    |    |    |    |    |    |    |    |    |    |   |   |   |   |   |   |   |   |   |   |
| C                | RW         | NFCID1_T |       | NFCID1 byte T |    |    |    |    |    |    |    |    |    |    |    |    |    |    |    |    |    |    |   |   |   |   |   |   |   |   |   |   |

### 6.14.13.43 NFCID1\_3RD\_LAST

Address offset: 0x598

Third last NFCID1 part (10 bytes ID)

| Bit number       | 31         | 30       | 29    | 28            | 27 | 26 | 25 | 24 | 23 | 22 | 21 | 20 | 19 | 18 | 17 | 16 | 15 | 14 | 13 | 12 | 11 | 10 | 9 | 8 | 7 | 6 | 5 | 4 | 3 | 2 | 1 | 0 |
|------------------|------------|----------|-------|---------------|----|----|----|----|----|----|----|----|----|----|----|----|----|----|----|----|----|----|---|---|---|---|---|---|---|---|---|---|
| ID               |            |          |       |               |    |    |    |    | C  | C  | C  | C  | C  | C  | C  | B  | B  | B  | B  | B  | B  | B  | B | A | A | A | A | A | A | A | A | A |
| Reset 0x00000000 | 0          | 0        | 0     | 0             | 0  | 0  | 0  | 0  | 0  | 0  | 0  | 0  | 0  | 0  | 0  | 0  | 0  | 0  | 0  | 0  | 0  | 0  | 0 | 0 | 0 | 0 | 0 | 0 | 0 | 0 | 0 | 0 |
| ID               | Acce Field | Value ID | Value | Description   |    |    |    |    |    |    |    |    |    |    |    |    |    |    |    |    |    |    |   |   |   |   |   |   |   |   |   |   |
| A                | RW         | NFCID1_S |       | NFCID1 byte S |    |    |    |    |    |    |    |    |    |    |    |    |    |    |    |    |    |    |   |   |   |   |   |   |   |   |   |   |
| B                | RW         | NFCID1_R |       | NFCID1 byte R |    |    |    |    |    |    |    |    |    |    |    |    |    |    |    |    |    |    |   |   |   |   |   |   |   |   |   |   |
| C                | RW         | NFCID1_Q |       | NFCID1 byte Q |    |    |    |    |    |    |    |    |    |    |    |    |    |    |    |    |    |    |   |   |   |   |   |   |   |   |   |   |

### 6.14.13.44 AUTOCOLRESCONFIG

Address offset: 0x59C

Controls the auto collision resolution function. This setting must be done before the NFCT peripheral is activated.

When modifying this register bit 1 must be written to '1'.

| Bit number       | 31         | 30       | 29    | 28   | 27 | 26 | 25 | 24 | 23 | 22 | 21 | 20 | 19 | 18 | 17 | 16 | 15 | 14 | 13 | 12 | 11 | 10 | 9 | 8 | 7 | 6 | 5 | 4 | 3 | 2 | 1 | 0 |
|------------------|------------|----------|-------|--|----|----|----|----|----|----|----|----|----|----|----|----|----|----|----|----|----|----|---|---|---|---|---|---|---|---|---|---|
| ID               |            |          |       |  |    |    |    |    |    |    |    |    |    |    |    |    |    |    |    |    |    |    |   |   |   |   |   |   |   |   |   | A |
| Reset 0x00000002 | 0          | 0        | 0     | 0  | 0  | 0  | 0  | 0  | 0  | 0  | 0  | 0  | 0  | 0  | 0  | 0  | 0  | 0  | 0  | 0  | 0  | 0  | 0 | 0 | 0 | 0 | 0 | 0 | 0 | 0 | 1 | 0 |
| ID               | Acce Field | Value ID | Value | Description                                |    |    |    |    |    |    |    |    |    |    |    |    |    |    |    |    |    |    |   |   |   |   |   |   |   |   |   |   |
| A                | RW         | MODE     |       | Enables/disables auto collision resolution |    |    |    |    |    |    |    |    |    |    |    |    |    |    |    |    |    |    |   |   |   |   |   |   |   |   |   |   |
|                  |            | Enabled  | 0     | Auto collision resolution enabled          |    |    |    |    |    |    |    |    |    |    |    |    |    |    |    |    |    |    |   |   |   |   |   |   |   |   |   |   |
|                  |            | Disabled | 1     | Auto collision resolution disabled         |    |    |    |    |    |    |    |    |    |    |    |    |    |    |    |    |    |    |   |   |   |   |   |   |   |   |   |   |

### 6.14.13.45 SENSRES

Address offset: 0x5A0

NFC-A SENS\_RES auto-response settings

| Bit number              | 31 30 29 28 27 26 25 24 23 22 21 20 19 18 17 16 15 14 13 12 11 10 9 8 7 6 5 4 3 2 1 0        |              |       |  |  |  |  |  |  |  |  |  |  |  |  |  |  |  |  |  |  |  |  |  |  |  |  |  |  |  |   |   |   |   |   |   |   |   |   |   |   |   |   |   |   |   |   |   |   |   |   |   |   |   |   |   |   |
|-------------------------|--|--------------|-------|--|--|--|--|--|--|--|--|--|--|--|--|--|--|--|--|--|--|--|--|--|--|--|--|--|--|--|---|---|---|---|---|---|---|---|---|---|---|---|---|---|---|---|---|---|---|---|---|---|---|---|---|---|---|
| ID                      |  |              |       |  |  |  |  |  |  |  |  |  |  |  |  |  |  |  |  |  |  |  |  |  |  |  |  |  |  |  | E | E | E | E | D | D | D | D | C | C | B | A | A | A | A | A | A | A | A | A | A | A | A | A | A | A | A |
| <b>Reset 0x00000001</b> | <b>0 1</b> |              |       |  |  |  |  |  |  |  |  |  |  |  |  |  |  |  |  |  |  |  |  |  |  |  |  |  |  |  |   |   |   |   |   |   |   |   |   |   |   |   |   |   |   |   |   |   |   |   |   |   |   |   |   |   |   |
| ID                      | Acce Field   | Value ID     | Value | Description  |  |  |  |  |  |  |  |  |  |  |  |  |  |  |  |  |  |  |  |  |  |  |  |  |  |  |   |   |   |   |   |   |   |   |   |   |   |   |   |   |   |   |   |   |   |   |   |   |   |   |   |   |   |
| A                       | RW   | BITFRAMESDD  |       | Bit frame SDD as defined by the b5:b1 of byte 1 in SENS_RES response in the NFC Forum, NFC Digital Protocol Technical Specification              |  |  |  |  |  |  |  |  |  |  |  |  |  |  |  |  |  |  |  |  |  |  |  |  |  |  |   |   |   |   |   |   |   |   |   |   |   |   |   |   |   |   |   |   |   |   |   |   |   |   |   |   |   |
|                         |  | SDD00000     | 0     | SDD pattern 00000  |  |  |  |  |  |  |  |  |  |  |  |  |  |  |  |  |  |  |  |  |  |  |  |  |  |  |   |   |   |   |   |   |   |   |   |   |   |   |   |   |   |   |   |   |   |   |   |   |   |   |   |   |   |
|                         |  | SDD00001     | 1     | SDD pattern 00001  |  |  |  |  |  |  |  |  |  |  |  |  |  |  |  |  |  |  |  |  |  |  |  |  |  |  |   |   |   |   |   |   |   |   |   |   |   |   |   |   |   |   |   |   |   |   |   |   |   |   |   |   |   |
|                         |  | SDD00010     | 2     | SDD pattern 00010  |  |  |  |  |  |  |  |  |  |  |  |  |  |  |  |  |  |  |  |  |  |  |  |  |  |  |   |   |   |   |   |   |   |   |   |   |   |   |   |   |   |   |   |   |   |   |   |   |   |   |   |   |   |
|                         |  | SDD00100     | 4     | SDD pattern 00100  |  |  |  |  |  |  |  |  |  |  |  |  |  |  |  |  |  |  |  |  |  |  |  |  |  |  |   |   |   |   |   |   |   |   |   |   |   |   |   |   |   |   |   |   |   |   |   |   |   |   |   |   |   |
|                         |  | SDD01000     | 8     | SDD pattern 01000  |  |  |  |  |  |  |  |  |  |  |  |  |  |  |  |  |  |  |  |  |  |  |  |  |  |  |   |   |   |   |   |   |   |   |   |   |   |   |   |   |   |   |   |   |   |   |   |   |   |   |   |   |   |
|                         |  | SDD10000     | 16    | SDD pattern 10000  |  |  |  |  |  |  |  |  |  |  |  |  |  |  |  |  |  |  |  |  |  |  |  |  |  |  |   |   |   |   |   |   |   |   |   |   |   |   |   |   |   |   |   |   |   |   |   |   |   |   |   |   |   |
| B                       | RW   | RFU5         |       | Reserved for future use. Shall be 0.   |  |  |  |  |  |  |  |  |  |  |  |  |  |  |  |  |  |  |  |  |  |  |  |  |  |  |   |   |   |   |   |   |   |   |   |   |   |   |   |   |   |   |   |   |   |   |   |   |   |   |   |   |   |
| C                       | RW   | NFCIDSIZE    |       | NFCID1 size. This value is used by the auto collision resolution engine.   |  |  |  |  |  |  |  |  |  |  |  |  |  |  |  |  |  |  |  |  |  |  |  |  |  |  |   |   |   |   |   |   |   |   |   |   |   |   |   |   |   |   |   |   |   |   |   |   |   |   |   |   |   |
|                         |  | NFCID1Single | 0     | NFCID1 size: single (4 bytes)  |  |  |  |  |  |  |  |  |  |  |  |  |  |  |  |  |  |  |  |  |  |  |  |  |  |  |   |   |   |   |   |   |   |   |   |   |   |   |   |   |   |   |   |   |   |   |   |   |   |   |   |   |   |
|                         |  | NFCID1Double | 1     | NFCID1 size: double (7 bytes)  |  |  |  |  |  |  |  |  |  |  |  |  |  |  |  |  |  |  |  |  |  |  |  |  |  |  |   |   |   |   |   |   |   |   |   |   |   |   |   |   |   |   |   |   |   |   |   |   |   |   |   |   |   |
|                         |  | NFCID1Triple | 2     | NFCID1 size: triple (10 bytes)   |  |  |  |  |  |  |  |  |  |  |  |  |  |  |  |  |  |  |  |  |  |  |  |  |  |  |   |   |   |   |   |   |   |   |   |   |   |   |   |   |   |   |   |   |   |   |   |   |   |   |   |   |   |
| D                       | RW   | PLATFCONFIG  |       | Tag platform configuration as defined by the b4:b1 of byte 2 in SENS_RES response in the NFC Forum, NFC Digital Protocol Technical Specification |  |  |  |  |  |  |  |  |  |  |  |  |  |  |  |  |  |  |  |  |  |  |  |  |  |  |   |   |   |   |   |   |   |   |   |   |   |   |   |   |   |   |   |   |   |   |   |   |   |   |   |   |   |
| E                       | RW   | RFU74        |       | Reserved for future use. Shall be 0.   |  |  |  |  |  |  |  |  |  |  |  |  |  |  |  |  |  |  |  |  |  |  |  |  |  |  |   |   |   |   |   |   |   |   |   |   |   |   |   |   |   |   |   |   |   |   |   |   |   |   |   |   |   |

### 6.14.13.46 SELRES

Address offset: 0x5A4

NFC-A SEL\_RES auto-response settings

| Bit number              | 31 30 29 28 27 26 25 24 23 22 21 20 19 18 17 16 15 14 13 12 11 10 9 8 7 6 5 4 3 2 1 0        |          |       |  |  |  |  |  |  |  |  |  |  |  |  |  |  |  |  |  |  |  |  |  |  |  |  |  |  |  |   |   |   |   |   |   |   |   |   |   |   |   |   |   |   |   |   |   |   |   |   |   |   |   |   |   |
|-------------------------|--|----------|-------|--|--|--|--|--|--|--|--|--|--|--|--|--|--|--|--|--|--|--|--|--|--|--|--|--|--|--|---|---|---|---|---|---|---|---|---|---|---|---|---|---|---|---|---|---|---|---|---|---|---|---|---|---|
| ID                      |  |          |       |  |  |  |  |  |  |  |  |  |  |  |  |  |  |  |  |  |  |  |  |  |  |  |  |  |  |  | E | D | D | C | C | B | A | A | A | A | A | A | A | A | A | A | A | A | A | A | A | A | A | A | A | A |
| <b>Reset 0x00000000</b> | <b>0 0</b> |          |       |  |  |  |  |  |  |  |  |  |  |  |  |  |  |  |  |  |  |  |  |  |  |  |  |  |  |  |   |   |   |   |   |   |   |   |   |   |   |   |   |   |   |   |   |   |   |   |   |   |   |   |   |   |
| ID                      | Acce Field   | Value ID | Value | Description  |  |  |  |  |  |  |  |  |  |  |  |  |  |  |  |  |  |  |  |  |  |  |  |  |  |  |   |   |   |   |   |   |   |   |   |   |   |   |   |   |   |   |   |   |   |   |   |   |   |   |   |   |
| A                       | RW   | RFU10    |       | Reserved for future use. Shall be 0.   |  |  |  |  |  |  |  |  |  |  |  |  |  |  |  |  |  |  |  |  |  |  |  |  |  |  |   |   |   |   |   |   |   |   |   |   |   |   |   |   |   |   |   |   |   |   |   |   |   |   |   |   |
| B                       | RW   | CASCADE  |       | Cascade as defined by the b3 of SEL_RES response in the NFC Forum, NFC Digital Protocol Technical Specification (controlled by hardware, shall be 0) |  |  |  |  |  |  |  |  |  |  |  |  |  |  |  |  |  |  |  |  |  |  |  |  |  |  |   |   |   |   |   |   |   |   |   |   |   |   |   |   |   |   |   |   |   |   |   |   |   |   |   |   |
| C                       | RW   | RFU43    |       | Reserved for future use. Shall be 0.   |  |  |  |  |  |  |  |  |  |  |  |  |  |  |  |  |  |  |  |  |  |  |  |  |  |  |   |   |   |   |   |   |   |   |   |   |   |   |   |   |   |   |   |   |   |   |   |   |   |   |   |   |
| D                       | RW   | PROTOCOL |       | Protocol as defined by the b7:b6 of SEL_RES response in the NFC Forum, NFC Digital Protocol Technical Specification                                  |  |  |  |  |  |  |  |  |  |  |  |  |  |  |  |  |  |  |  |  |  |  |  |  |  |  |   |   |   |   |   |   |   |   |   |   |   |   |   |   |   |   |   |   |   |   |   |   |   |   |   |   |
| E                       | RW   | RFU7     |       | Reserved for future use. Shall be 0.   |  |  |  |  |  |  |  |  |  |  |  |  |  |  |  |  |  |  |  |  |  |  |  |  |  |  |   |   |   |   |   |   |   |   |   |   |   |   |   |   |   |   |   |   |   |   |   |   |   |   |   |   |

## 6.14.14 Electrical specification

### 6.14.14.1 NFCT Electrical Specification

| Symbol   | Description              | Min. | Typ.  | Max. | Units |
|----------|--------------------------|------|-------|------|-------|
| $f_c$    | Frequency of operation   |      | 13.56 |      | MHz   |
| $C_{MI}$ | Carrier modulation index | 95   |       |      | %     |
| DR       | Data Rate                |      | 106   |      | kbps  |

| Symbol             | Description   | Min. | Typ. | Max. | Units |
|--------------------|---|------|------|------|-------|
| $V_{\text{sense}}$ | Peak differential Field detect threshold level on NFC1-NFC2 <sup>17</sup> |      | 1.2  |      | Vp    |
| $I_{\text{max}}$   | Maximum input current on NFCT pins  |      |      | 80   | mA    |

### 6.14.14.2 NFCT Timing Parameters

| Symbol                | Description   | Min. | Typ. | Max. | Units         |
|-----------------------|---|------|------|------|---------------|
| $t_{\text{activate}}$ | Time from task_ACTIVATE in SENSE or DISABLE state to ACTIVATE_A or IDLE state <sup>18</sup> |      |      | 500  | $\mu\text{s}$ |
| $t_{\text{sense}}$    | Time from remote field is present in SENSE mode to FIELDDETECTED event is asserted          |      |      | 20   | $\mu\text{s}$ |

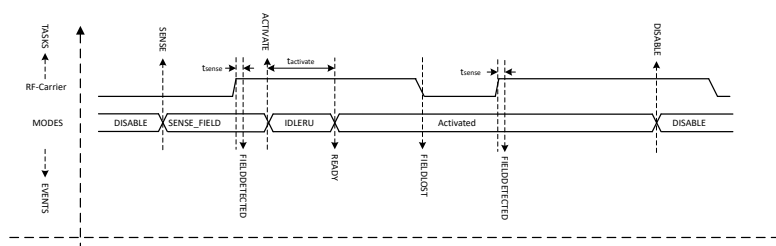


Figure 69: NFCT timing parameters (Shortcuts for FIELDDETECTED and FIELDLOST are disabled)

## 6.15 PDM — Pulse density modulation interface

The pulse density modulation (PDM) module enables input of pulse density modulated signals from external audio frontends, for example, digital microphones. The PDM module generates the PDM clock and supports single-channel or dual-channel (left and right) data input. Data is transferred directly to RAM buffers using EasyDMA.

Listed here are the main features for PDM:

- Up to two PDM microphones configured as a left/right pair using the same data input
- 16 kHz output sample rate, 16-bit samples
- EasyDMA support for sample buffering
- HW decimation filters
- Selectable ratio of 64 or 80 between PDM\_CLK and output sample rate

The PDM module illustrated below is interfacing up to two digital microphones with the PDM interface. EasyDMA is implemented to relieve the real-time requirements associated with controlling of the PDM slave from a low priority CPU execution context. It also includes all the necessary digital filter elements to produce pulse code modulation (PCM) samples. The PDM module allows continuous audio streaming.

<sup>17</sup> Input is high impedance in sense mode

<sup>18</sup> Does not account for voltage supply and oscillator startup times



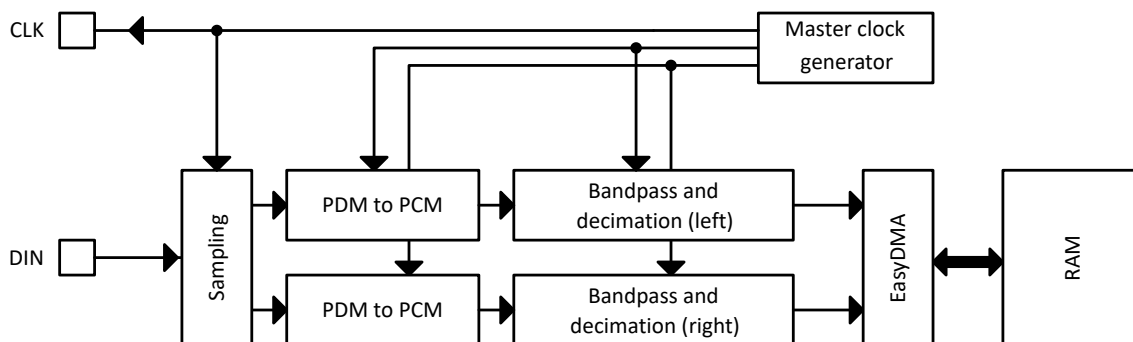


Figure 70: PDM module

### 6.15.1 Master clock generator

The master clock generator's PDMCLKCTRL register allows adjusting the PDM clock's frequency.

The master clock generator does not add any jitter to the HFCLK source chosen. It is recommended (but not mandatory) to use the Xtal as HFCLK source.

### 6.15.2 Module operation

By default, bits from the left PDM microphone are sampled on PDM\_CLK falling edge, and bits for the right are sampled on the rising edge of PDM\_CLK, resulting in two bitstreams. Each bitstream is fed into a digital filter which converts the PDM stream into 16-bit PCM samples, then filters and down-samples them to reach the appropriate sample rate.

The EDGE field in the MODE register allows swapping left and right, so that left will be sampled on rising edge, and right on falling.

The PDM module uses EasyDMA to store the samples coming out from the filters into one buffer in RAM. Depending on the mode chosen in the OPERATION field in the MODE register, memory either contains alternating left and right 16-bit samples (Stereo), or only left 16-bit samples (Mono). To ensure continuous PDM sampling, it is up to the application to update the EasyDMA destination address pointer as the previous buffer is filled.

The continuous transfer can be started or stopped by sending the START and STOP tasks. STOP becomes effective after the current frame has finished transferring, which will generate the STOPPED event. The STOPPED event indicates that all activity in the module is finished, and that the data is available in RAM (EasyDMA has finished transferring as well). Attempting to restart before receiving the STOPPED event may result in unpredictable behavior.

### 6.15.3 Decimation filter

In order to convert the incoming data stream into PCM audio samples, a decimation filter is included in the PDM interface module.

The input of the filter is the two-channel PDM serial stream (with left channel on clock high, right channel on clock low). Depending on the RATIO selected, its output is  $2 \times 16$ -bit PCM samples at a sample rate either 64 times or 80 times (depending on the RATIO register) lower than the PDM clock rate.

The filter stage of each channel is followed by a digital volume control, to attenuate or amplify the output samples in a range of -20 dB to +20 dB around the default (reset) setting, defined by  $G_{\text{PDM,default}}$ . The gain is controlled by the GAINL and GAINR registers.

As an example, if the goal is to achieve 2500 RMS output samples (16-bit) with a 1 kHz 90 dBA signal into a -26 dBFS sensitivity PDM microphone, do the following:

- Sum the PDM module's default gain ( $G_{\text{PDM,default}}$ ) and the gain introduced by the microphone and acoustic path of his implementation (an attenuation would translate into a negative gain)

- Adjust GAINL and GAINR by the above summed amount. Assuming that only the PDM module influences the gain, GAINL and GAINR must be set to  $-G_{\text{PDM, default}}$  dB to achieve the requirement.

With  $G_{\text{PDM, default}}=3.2$  dB, and as GAINL and GAINR are expressed in 0.5 dB steps, the closest value to program would be 3.0 dB, which can be calculated as:

$$\text{GAINL} = \text{GAINR} = (\text{DefaultGain} - (2 * 3))$$

Remember to check that the resulting values programmed into GAINL and GAINR fall within MinGain and MaxGain.

### 6.15.4 EasyDMA

Samples will be written directly to RAM, and EasyDMA must be configured accordingly.

The address pointer for the EasyDMA channel is set in SAMPLE.PTR register. If the destination address set in SAMPLE.PTR is not pointing to the Data RAM region, an EasyDMA transfer may result in a HardFault or RAM corruption. See [Memory](#) on page 20 for more information about the different memory regions.

DMA supports Stereo (Left+Right 16-bit samples) and Mono (Left only) data transfer, depending on the setting in the OPERATION field in the MODE register. The samples are stored little endian.

| MODE.OPERATION | Bits per sample | Result stored per RAM word | Physical RAM allocated (32-bit words) | Result boundary indexes in RAM | Note    |
|----------------|-----------------|----------------------------|---------------------------------------|--------------------------------|---------|
| Stereo         | 32 (2x16)       | L+R                        | $\text{ceil}(\text{SAMPLE.MAXCNT}/2)$ | R0=[31:16]; L0=[15:0]          | Default |
| Mono           | 16              | 2xL                        | $\text{ceil}(\text{SAMPLE.MAXCNT}/2)$ | L1=[31:16]; L0=[15:0]          |         |

Table 67: DMA sample storage

The destination buffer in RAM consists of one block, the size of which is set in SAMPLE.MAXCNT register. Format is number of 16-bit samples. The physical RAM allocated is always:

$$(\text{RAM allocation, in bytes}) = \text{SAMPLE.MAXCNT} * 2;$$

(but the mapping of the samples depends on MODE.OPERATION.

If OPERATION=Stereo, RAM will contain a succession of left and right samples.

If OPERATION=Mono, RAM will contain a succession of left only samples.

For a given value of SAMPLE.MAXCNT, the buffer in RAM can contain half the stereo sampling time as compared to the mono sampling time.

The PDM acquisition can be started by the START task, after the SAMPLE.PTR and SAMPLE.MAXCNT registers have been written. When starting the module, it will take some time for the filters to start outputting valid data. Transients from the PDM microphone itself may also occur. The first few samples (typically around 50) might hence contain invalid values or transients. It is therefore advised to discard the first few samples after a PDM start.

As soon as the STARTED event is received, the firmware can write the next SAMPLE.PTR value (this register is double-buffered), to ensure continuous operation.

When the buffer in RAM is filled with samples, an END event is triggered. The firmware can start processing the data in the buffer. Meanwhile, the PDM module starts acquiring data into the new buffer pointed to by SAMPLE.PTR, and sends a new STARTED event, so that the firmware can update SAMPLE.PTR to the next buffer address.

## 6.15.5 Hardware example

PDM can be configured with a single microphone (mono), or with two microphones.

When a single microphone is used, connect the microphone clock to CLK, and data to DIN.

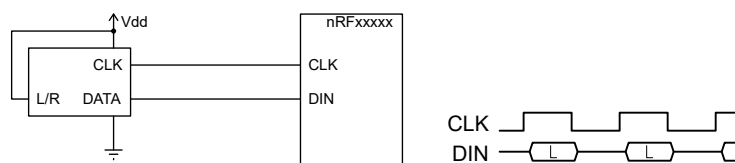


Figure 71: Example of a single PDM microphone, wired as left

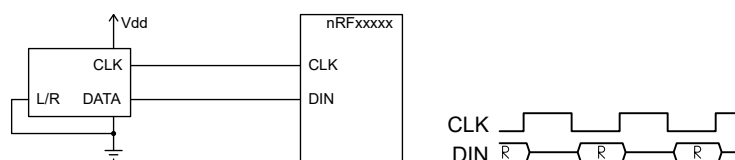


Figure 72: Example of a single PDM microphone, wired as right

Note that in a single-microphone (mono) configuration, depending on the microphone's implementation, either the left or the right channel (sampled at falling or rising CLK edge respectively) will contain reliable data.

If two microphones are used, one of them has to be set as left, the other as right (L/R pin tied high or to GND on the respective microphone). It is strongly recommended to use two microphones of exactly the same brand and type so that their timings in left and right operation match.

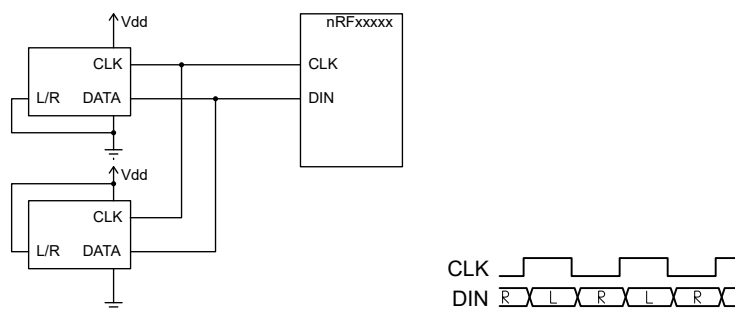


Figure 73: Example of two PDM microphones

## 6.15.6 Pin configuration

The CLK and DIN signals associated to the PDM module are mapped to physical pins according to the configuration specified in the PSEL.CLK and PSEL.DIN registers respectively. If the CONNECT field in any PSEL register is set to Disconnected, the associated PDM module signal will not be connected to the required physical pins, and will not operate properly.

The PSEL.CLK and PSEL.DIN registers and their configurations are only used as long as the PDM module is enabled, and retained only as long as the device is in System ON mode. See [POWER — Power supply](#) on page 64 for more information about power modes. When the peripheral is disabled, the pins will behave as regular GPIOs, and use the configuration in their respective OUT bit field and PIN\_CNF[n] register.

To ensure correct behavior in the PDM module, the pins used by the PDM module must be configured in the GPIO peripheral as described in [GPIO configuration before enabling peripheral](#) on page 240 before enabling the PDM module. This is to ensure that the pins used by the PDM module are driven correctly if the PDM module itself is temporarily disabled or the device temporarily enters System OFF. This configuration must be retained in the GPIO for the selected I/Os as long as the PDM module is supposed to be connected to an external PDM circuit.

Only one peripheral can be assigned to drive a particular GPIO pin at a time. Failing to do so may result in unpredictable behavior.

| PDM signal | PDM pin                  | Direction | Output value   | Comment |
|------------|--------------------------|-----------|----------------|---------|
| CLK        | As specified in PSEL.CLK | Output    | 0              |         |
| DIN        | As specified in PSEL.DIN | Input     | Not applicable |         |

Table 68: GPIO configuration before enabling peripheral

## 6.15.7 Registers

| Base address | Peripheral | Instance | Description   | Configuration |
|--------------|------------|----------|---|---------------|
| 0x4001D000   | PDM        | PDM      | Pulse Density modulation (digital microphone) interface |               |

Table 69: Instances

| Register       | Offset | Description   |
|----------------|--------|---|
| TASKS_START    | 0x000  | Starts continuous PDM transfer  |
| TASKS_STOP     | 0x004  | Stops PDM transfer  |
| EVENTS_STARTED | 0x100  | PDM transfer has started  |
| EVENTS_STOPPED | 0x104  | PDM transfer has finished   |
| EVENTS_END     | 0x108  | The PDM has written the last sample specified by SAMPLE.MAXCNT (or the last sample after a STOP task has been received) to Data RAM |
| INTEN          | 0x300  | Enable or disable interrupt   |
| INTENSET       | 0x304  | Enable interrupt  |
| INTENCLR       | 0x308  | Disable interrupt   |
| ENABLE         | 0x500  | PDM module enable register  |
| PDMCLKCTRL     | 0x504  | PDM clock generator control   |
| MODE           | 0x508  | Defines the routing of the connected PDM microphones' signals   |
| GAINL          | 0x518  | Left output gain adjustment   |
| GAINR          | 0x51C  | Right output gain adjustment  |
| RATIO          | 0x520  | Selects the ratio between PDM_CLK and output sample rate. Change PDMCLKCTRL accordingly.  |
| PSEL.CLK       | 0x540  | Pin number configuration for PDM CLK signal   |
| PSEL.DIN       | 0x544  | Pin number configuration for PDM DIN signal   |
| SAMPLE.PTR     | 0x560  | RAM address pointer to write samples to with EasyDMA  |
| SAMPLE.MAXCNT  | 0x564  | Number of samples to allocate memory for in EasyDMA mode  |

Table 70: Register overview

### 6.15.7.1 TASKS\_START

Address offset: 0x000

Starts continuous PDM transfer

| Bit number       | 31 30 29 28 27 26 25 24 23 22 21 20 19 18 17 16 15 14 13 12 11 10 9 8 7 6 5 4 3 2 1 0 |             |       |                                |  |  |  |  |  |  |  |  |  |  |  |  |  |  |  |  |  |  |  |  |  |  |  |  |  |  |  |   |
|------------------|---|-------------|-------|--------------------------------|--|--|--|--|--|--|--|--|--|--|--|--|--|--|--|--|--|--|--|--|--|--|--|--|--|--|--|---|
| ID               |   |             |       |                                |  |  |  |  |  |  |  |  |  |  |  |  |  |  |  |  |  |  |  |  |  |  |  |  |  |  |  | A |
| Reset 0x00000000 | 0                       |             |       |                                |  |  |  |  |  |  |  |  |  |  |  |  |  |  |  |  |  |  |  |  |  |  |  |  |  |  |  |   |
| ID               | Acce Field  | Value ID    | Value | Description                    |  |  |  |  |  |  |  |  |  |  |  |  |  |  |  |  |  |  |  |  |  |  |  |  |  |  |  |   |
| A                | W   | TASKS_START |       | Starts continuous PDM transfer |  |  |  |  |  |  |  |  |  |  |  |  |  |  |  |  |  |  |  |  |  |  |  |  |  |  |  |   |
|                  |   | Trigger     | 1     | Trigger task                   |  |  |  |  |  |  |  |  |  |  |  |  |  |  |  |  |  |  |  |  |  |  |  |  |  |  |  |   |

### 6.15.7.2 TASKS\_STOP

Address offset: 0x004

Stops PDM transfer

| Bit number       | 31 30 29 28 27 26 25 24 23 22 21 20 19 18 17 16 15 14 13 12 11 10 9 8 7 6 5 4 3 2 1 0 |          |       |                                    |  |  |  |  |  |  |  |  |  |  |  |  |  |  |  |  |  |  |  |  |  |  |  |  |  |  |  |
|------------------|---|----------|-------|------------------------------------|--|--|--|--|--|--|--|--|--|--|--|--|--|--|--|--|--|--|--|--|--|--|--|--|--|--|--|
| ID               | A   |          |       |                                    |  |  |  |  |  |  |  |  |  |  |  |  |  |  |  |  |  |  |  |  |  |  |  |  |  |  |  |
| Reset 0x00000000 | 0             |          |       |                                    |  |  |  |  |  |  |  |  |  |  |  |  |  |  |  |  |  |  |  |  |  |  |  |  |  |  |  |
| ID               | Acce Field  | Value ID | Value | Description                        |  |  |  |  |  |  |  |  |  |  |  |  |  |  |  |  |  |  |  |  |  |  |  |  |  |  |  |
| A                | W TASKS_STOP  | Trigger  | 1     | Stops PDM transfer<br>Trigger task |  |  |  |  |  |  |  |  |  |  |  |  |  |  |  |  |  |  |  |  |  |  |  |  |  |  |  |

### 6.15.7.3 EVENTS\_STARTED

Address offset: 0x100

PDM transfer has started

| Bit number       | 31 30 29 28 27 26 25 24 23 22 21 20 19 18 17 16 15 14 13 12 11 10 9 8 7 6 5 4 3 2 1 0 |              |       |   |  |  |  |  |  |  |  |  |  |  |  |  |  |  |  |  |  |  |  |  |  |  |  |  |  |  |  |
|------------------|---|--------------|-------|---|--|--|--|--|--|--|--|--|--|--|--|--|--|--|--|--|--|--|--|--|--|--|--|--|--|--|--|
| ID               | A   |              |       |   |  |  |  |  |  |  |  |  |  |  |  |  |  |  |  |  |  |  |  |  |  |  |  |  |  |  |  |
| Reset 0x00000000 | 0             |              |       |   |  |  |  |  |  |  |  |  |  |  |  |  |  |  |  |  |  |  |  |  |  |  |  |  |  |  |  |
| ID               | Acce Field  | Value ID     | Value | Description                                     |  |  |  |  |  |  |  |  |  |  |  |  |  |  |  |  |  |  |  |  |  |  |  |  |  |  |  |
| A                | RW EVENTS_STARTED   | NotGenerated | 0     | PDM transfer has started<br>Event not generated |  |  |  |  |  |  |  |  |  |  |  |  |  |  |  |  |  |  |  |  |  |  |  |  |  |  |  |
|                  |   | Generated    | 1     | Event generated                                 |  |  |  |  |  |  |  |  |  |  |  |  |  |  |  |  |  |  |  |  |  |  |  |  |  |  |  |

### 6.15.7.4 EVENTS\_STOPPED

Address offset: 0x104

PDM transfer has finished

| Bit number       | 31 30 29 28 27 26 25 24 23 22 21 20 19 18 17 16 15 14 13 12 11 10 9 8 7 6 5 4 3 2 1 0 |              |       |  |  |  |  |  |  |  |  |  |  |  |  |  |  |  |  |  |  |  |  |  |  |  |  |  |  |  |  |
|------------------|---|--------------|-------|--|--|--|--|--|--|--|--|--|--|--|--|--|--|--|--|--|--|--|--|--|--|--|--|--|--|--|--|
| ID               | A   |              |       |  |  |  |  |  |  |  |  |  |  |  |  |  |  |  |  |  |  |  |  |  |  |  |  |  |  |  |  |
| Reset 0x00000000 | 0             |              |       |  |  |  |  |  |  |  |  |  |  |  |  |  |  |  |  |  |  |  |  |  |  |  |  |  |  |  |  |
| ID               | Acce Field  | Value ID     | Value | Description                                      |  |  |  |  |  |  |  |  |  |  |  |  |  |  |  |  |  |  |  |  |  |  |  |  |  |  |  |
| A                | RW EVENTS_STOPPED   | NotGenerated | 0     | PDM transfer has finished<br>Event not generated |  |  |  |  |  |  |  |  |  |  |  |  |  |  |  |  |  |  |  |  |  |  |  |  |  |  |  |
|                  |   | Generated    | 1     | Event generated                                  |  |  |  |  |  |  |  |  |  |  |  |  |  |  |  |  |  |  |  |  |  |  |  |  |  |  |  |

### 6.15.7.5 EVENTS\_END

Address offset: 0x108

The PDM has written the last sample specified by SAMPLE.MAXCNT (or the last sample after a STOP task has been received) to Data RAM

| Bit number | 31         | 30           | 29    | 28  | 27 | 26 | 25 | 24 | 23 | 22 | 21 | 20 | 19 | 18 | 17 | 16 | 15 | 14 | 13 | 12 | 11 | 10 | 9 | 8 | 7 | 6 | 5 | 4 | 3 | 2 | 1 | 0 |   |
|------------|------------|--------------|-------|---|----|----|----|----|----|----|----|----|----|----|----|----|----|----|----|----|----|----|---|---|---|---|---|---|---|---|---|---|---|
| ID         |            |              |       |   |    |    |    |    |    |    |    |    |    |    |    |    |    |    |    |    |    |    |   |   |   |   |   |   |   |   |   | A |   |
| Reset      | 0x00000000 |              |       |   |    |    |    |    |    |    |    |    |    |    |    |    |    |    |    |    |    |    |   |   |   |   |   |   |   |   |   |   |   |
| 0          | 0          | 0            | 0     | 0   | 0  | 0  | 0  | 0  | 0  | 0  | 0  | 0  | 0  | 0  | 0  | 0  | 0  | 0  | 0  | 0  | 0  | 0  | 0 | 0 | 0 | 0 | 0 | 0 | 0 | 0 | 0 | 0 | 0 |
| ID         | Acce Field | Value ID     | Value | Description   |    |    |    |    |    |    |    |    |    |    |    |    |    |    |    |    |    |    |   |   |   |   |   |   |   |   |   |   |   |
| A          | RW         | EVENTS_END   |       | The PDM has written the last sample specified by SAMPLE.MAXCNT (or the last sample after a STOP task has been received) to Data RAM |    |    |    |    |    |    |    |    |    |    |    |    |    |    |    |    |    |    |   |   |   |   |   |   |   |   |   |   |   |
|            |            | NotGenerated | 0     | Event not generated   |    |    |    |    |    |    |    |    |    |    |    |    |    |    |    |    |    |    |   |   |   |   |   |   |   |   |   |   |   |
|            |            | Generated    | 1     | Event generated   |    |    |    |    |    |    |    |    |    |    |    |    |    |    |    |    |    |    |   |   |   |   |   |   |   |   |   |   |   |

### 6.15.7.6 INTEN

Address offset: 0x300

Enable or disable interrupt

| Bit number | 31         | 30       | 29    | 28   | 27 | 26 | 25 | 24 | 23 | 22 | 21 | 20 | 19 | 18 | 17 | 16 | 15 | 14 | 13 | 12 | 11 | 10 | 9 | 8 | 7 | 6 | 5 | 4 | 3 | 2 | 1 | 0 |   |   |
|------------|------------|----------|-------|--|----|----|----|----|----|----|----|----|----|----|----|----|----|----|----|----|----|----|---|---|---|---|---|---|---|---|---|---|---|---|
| ID         |            |          |       |  |    |    |    |    |    |    |    |    |    |    |    |    |    |    |    |    |    |    |   |   |   |   |   |   |   |   |   | C | B | A |
| Reset      | 0x00000000 |          |       |  |    |    |    |    |    |    |    |    |    |    |    |    |    |    |    |    |    |    |   |   |   |   |   |   |   |   |   |   |   |   |
| 0          | 0          | 0        | 0     | 0  | 0  | 0  | 0  | 0  | 0  | 0  | 0  | 0  | 0  | 0  | 0  | 0  | 0  | 0  | 0  | 0  | 0  | 0  | 0 | 0 | 0 | 0 | 0 | 0 | 0 | 0 | 0 | 0 |   |   |
| ID         | Acce Field | Value ID | Value | Description  |    |    |    |    |    |    |    |    |    |    |    |    |    |    |    |    |    |    |   |   |   |   |   |   |   |   |   |   |   |   |
| A          | RW         | STARTED  |       | Enable or disable interrupt for event <b>STARTED</b> |    |    |    |    |    |    |    |    |    |    |    |    |    |    |    |    |    |    |   |   |   |   |   |   |   |   |   |   |   |   |
|            |            | Disabled | 0     | Disable  |    |    |    |    |    |    |    |    |    |    |    |    |    |    |    |    |    |    |   |   |   |   |   |   |   |   |   |   |   |   |
|            |            | Enabled  | 1     | Enable   |    |    |    |    |    |    |    |    |    |    |    |    |    |    |    |    |    |    |   |   |   |   |   |   |   |   |   |   |   |   |
| B          | RW         | STOPPED  |       | Enable or disable interrupt for event <b>STOPPED</b> |    |    |    |    |    |    |    |    |    |    |    |    |    |    |    |    |    |    |   |   |   |   |   |   |   |   |   |   |   |   |
|            |            | Disabled | 0     | Disable  |    |    |    |    |    |    |    |    |    |    |    |    |    |    |    |    |    |    |   |   |   |   |   |   |   |   |   |   |   |   |
|            |            | Enabled  | 1     | Enable   |    |    |    |    |    |    |    |    |    |    |    |    |    |    |    |    |    |    |   |   |   |   |   |   |   |   |   |   |   |   |
| C          | RW         | END      |       | Enable or disable interrupt for event <b>END</b>     |    |    |    |    |    |    |    |    |    |    |    |    |    |    |    |    |    |    |   |   |   |   |   |   |   |   |   |   |   |   |
|            |            | Disabled | 0     | Disable  |    |    |    |    |    |    |    |    |    |    |    |    |    |    |    |    |    |    |   |   |   |   |   |   |   |   |   |   |   |   |
|            |            | Enabled  | 1     | Enable   |    |    |    |    |    |    |    |    |    |    |    |    |    |    |    |    |    |    |   |   |   |   |   |   |   |   |   |   |   |   |

### 6.15.7.7 INTENSET

Address offset: 0x304

Enable interrupt

| Bit number | 31         | 30       | 29    | 28   | 27 | 26 | 25 | 24 | 23 | 22 | 21 | 20 | 19 | 18 | 17 | 16 | 15 | 14 | 13 | 12 | 11 | 10 | 9 | 8 | 7 | 6 | 5 | 4 | 3 | 2 | 1 | 0 |   |   |
|------------|------------|----------|-------|--|----|----|----|----|----|----|----|----|----|----|----|----|----|----|----|----|----|----|---|---|---|---|---|---|---|---|---|---|---|---|
| ID         |            |          |       |  |    |    |    |    |    |    |    |    |    |    |    |    |    |    |    |    |    |    |   |   |   |   |   |   |   |   |   | C | B | A |
| Reset      | 0x00000000 |          |       |  |    |    |    |    |    |    |    |    |    |    |    |    |    |    |    |    |    |    |   |   |   |   |   |   |   |   |   |   |   |   |
| 0          | 0          | 0        | 0     | 0  | 0  | 0  | 0  | 0  | 0  | 0  | 0  | 0  | 0  | 0  | 0  | 0  | 0  | 0  | 0  | 0  | 0  | 0  | 0 | 0 | 0 | 0 | 0 | 0 | 0 | 0 | 0 | 0 |   |   |
| ID         | Acce Field | Value ID | Value | Description  |    |    |    |    |    |    |    |    |    |    |    |    |    |    |    |    |    |    |   |   |   |   |   |   |   |   |   |   |   |   |
| A          | RW         | STARTED  |       | Write '1' to enable interrupt for event <b>STARTED</b> |    |    |    |    |    |    |    |    |    |    |    |    |    |    |    |    |    |    |   |   |   |   |   |   |   |   |   |   |   |   |
|            |            | Set      | 1     | Enable   |    |    |    |    |    |    |    |    |    |    |    |    |    |    |    |    |    |    |   |   |   |   |   |   |   |   |   |   |   |   |
|            |            | Disabled | 0     | Read: Disabled   |    |    |    |    |    |    |    |    |    |    |    |    |    |    |    |    |    |    |   |   |   |   |   |   |   |   |   |   |   |   |
|            |            | Enabled  | 1     | Read: Enabled  |    |    |    |    |    |    |    |    |    |    |    |    |    |    |    |    |    |    |   |   |   |   |   |   |   |   |   |   |   |   |
| B          | RW         | STOPPED  |       | Write '1' to enable interrupt for event <b>STOPPED</b> |    |    |    |    |    |    |    |    |    |    |    |    |    |    |    |    |    |    |   |   |   |   |   |   |   |   |   |   |   |   |
|            |            | Set      | 1     | Enable   |    |    |    |    |    |    |    |    |    |    |    |    |    |    |    |    |    |    |   |   |   |   |   |   |   |   |   |   |   |   |
|            |            | Disabled | 0     | Read: Disabled   |    |    |    |    |    |    |    |    |    |    |    |    |    |    |    |    |    |    |   |   |   |   |   |   |   |   |   |   |   |   |
|            |            | Enabled  | 1     | Read: Enabled  |    |    |    |    |    |    |    |    |    |    |    |    |    |    |    |    |    |    |   |   |   |   |   |   |   |   |   |   |   |   |
| C          | RW         | END      |       | Write '1' to enable interrupt for event <b>END</b>     |    |    |    |    |    |    |    |    |    |    |    |    |    |    |    |    |    |    |   |   |   |   |   |   |   |   |   |   |   |   |
|            |            | Set      | 1     | Enable   |    |    |    |    |    |    |    |    |    |    |    |    |    |    |    |    |    |    |   |   |   |   |   |   |   |   |   |   |   |   |
|            |            | Disabled | 0     | Read: Disabled   |    |    |    |    |    |    |    |    |    |    |    |    |    |    |    |    |    |    |   |   |   |   |   |   |   |   |   |   |   |   |
|            |            | Enabled  | 1     | Read: Enabled  |    |    |    |    |    |    |    |    |    |    |    |    |    |    |    |    |    |    |   |   |   |   |   |   |   |   |   |   |   |   |

### 6.15.7.8 INTENCLR

Address offset: 0x308

Disable interrupt

| Bit number              | 31 30 29 28 27 26 25 24 23 22 21 20 19 18 17 16 15 14 13 12 11 10 9 8 7 6 5 4 3 2 1 0 |          |       |   |  |  |  |  |  |  |  |  |  |  |  |  |  |  |  |  |  |  |  |  |  |  |  |  |  |  |   |   |   |
|-------------------------|---|----------|-------|---|--|--|--|--|--|--|--|--|--|--|--|--|--|--|--|--|--|--|--|--|--|--|--|--|--|--|---|---|---|
| ID                      |   |          |       |   |  |  |  |  |  |  |  |  |  |  |  |  |  |  |  |  |  |  |  |  |  |  |  |  |  |  | C | B | A |
| <b>Reset 0x00000000</b> | <b>0 0</b>              |          |       |   |  |  |  |  |  |  |  |  |  |  |  |  |  |  |  |  |  |  |  |  |  |  |  |  |  |  |   |   |   |
| ID                      | Acce Field  | Value ID | Value | Description   |  |  |  |  |  |  |  |  |  |  |  |  |  |  |  |  |  |  |  |  |  |  |  |  |  |  |   |   |   |
| A                       | RW STARTED  |          |       | Write '1' to disable interrupt for event <b>STARTED</b> |  |  |  |  |  |  |  |  |  |  |  |  |  |  |  |  |  |  |  |  |  |  |  |  |  |  |   |   |   |
|                         |   | Clear    | 1     | Disable   |  |  |  |  |  |  |  |  |  |  |  |  |  |  |  |  |  |  |  |  |  |  |  |  |  |  |   |   |   |
|                         |   | Disabled | 0     | Read: Disabled  |  |  |  |  |  |  |  |  |  |  |  |  |  |  |  |  |  |  |  |  |  |  |  |  |  |  |   |   |   |
|                         |   | Enabled  | 1     | Read: Enabled   |  |  |  |  |  |  |  |  |  |  |  |  |  |  |  |  |  |  |  |  |  |  |  |  |  |  |   |   |   |
| B                       | RW STOPPED  |          |       | Write '1' to disable interrupt for event <b>STOPPED</b> |  |  |  |  |  |  |  |  |  |  |  |  |  |  |  |  |  |  |  |  |  |  |  |  |  |  |   |   |   |
|                         |   | Clear    | 1     | Disable   |  |  |  |  |  |  |  |  |  |  |  |  |  |  |  |  |  |  |  |  |  |  |  |  |  |  |   |   |   |
|                         |   | Disabled | 0     | Read: Disabled  |  |  |  |  |  |  |  |  |  |  |  |  |  |  |  |  |  |  |  |  |  |  |  |  |  |  |   |   |   |
|                         |   | Enabled  | 1     | Read: Enabled   |  |  |  |  |  |  |  |  |  |  |  |  |  |  |  |  |  |  |  |  |  |  |  |  |  |  |   |   |   |
| C                       | RW END  |          |       | Write '1' to disable interrupt for event <b>END</b>     |  |  |  |  |  |  |  |  |  |  |  |  |  |  |  |  |  |  |  |  |  |  |  |  |  |  |   |   |   |
|                         |   | Clear    | 1     | Disable   |  |  |  |  |  |  |  |  |  |  |  |  |  |  |  |  |  |  |  |  |  |  |  |  |  |  |   |   |   |
|                         |   | Disabled | 0     | Read: Disabled  |  |  |  |  |  |  |  |  |  |  |  |  |  |  |  |  |  |  |  |  |  |  |  |  |  |  |   |   |   |
|                         |   | Enabled  | 1     | Read: Enabled   |  |  |  |  |  |  |  |  |  |  |  |  |  |  |  |  |  |  |  |  |  |  |  |  |  |  |   |   |   |

### 6.15.7.9 ENABLE

Address offset: 0x500

PDM module enable register

| Bit number              | 31 30 29 28 27 26 25 24 23 22 21 20 19 18 17 16 15 14 13 12 11 10 9 8 7 6 5 4 3 2 1 0 |          |       |                              |  |  |  |  |  |  |  |  |  |  |  |  |  |  |  |  |  |  |  |  |  |  |  |  |  |  |   |
|-------------------------|---|----------|-------|------------------------------|--|--|--|--|--|--|--|--|--|--|--|--|--|--|--|--|--|--|--|--|--|--|--|--|--|--|---|
| ID                      |   |          |       |                              |  |  |  |  |  |  |  |  |  |  |  |  |  |  |  |  |  |  |  |  |  |  |  |  |  |  | A |
| <b>Reset 0x00000000</b> | <b>0 0</b>              |          |       |                              |  |  |  |  |  |  |  |  |  |  |  |  |  |  |  |  |  |  |  |  |  |  |  |  |  |  |   |
| ID                      | Acce Field  | Value ID | Value | Description                  |  |  |  |  |  |  |  |  |  |  |  |  |  |  |  |  |  |  |  |  |  |  |  |  |  |  |   |
| A                       | RW ENABLE   |          |       | Enable or disable PDM module |  |  |  |  |  |  |  |  |  |  |  |  |  |  |  |  |  |  |  |  |  |  |  |  |  |  |   |
|                         |   | Disabled | 0     | Disable                      |  |  |  |  |  |  |  |  |  |  |  |  |  |  |  |  |  |  |  |  |  |  |  |  |  |  |   |
|                         |   | Enabled  | 1     | Enable                       |  |  |  |  |  |  |  |  |  |  |  |  |  |  |  |  |  |  |  |  |  |  |  |  |  |  |   |

### 6.15.7.10 PDMCLKCTRL

Address offset: 0x504

PDM clock generator control

| Bit number              | 31   | 30    | 29       | 28         | 27  | 26 | 25 | 24 | 23 | 22 | 21 | 20 | 19 | 18 | 17 | 16 | 15 | 14 | 13 | 12 | 11 | 10 | 9 | 8 | 7 | 6 | 5 | 4 | 3 | 2 | 1 | 0 |
|-------------------------|------|-------|----------|------------|---|----|----|----|----|----|----|----|----|----|----|----|----|----|----|----|----|----|---|---|---|---|---|---|---|---|---|---|
| ID                      | A    | A     | A        | A          | A   | A  | A  | A  | A  | A  | A  | A  | A  | A  | A  | A  | A  | A  | A  | A  | A  | A  | A | A | A | A | A | A | A | A | A | A |
| <b>Reset 0x08400000</b> | 0    | 0     | 0        | 0          | 1   | 0  | 0  | 0  | 0  | 1  | 0  | 0  | 0  | 0  | 0  | 0  | 0  | 0  | 0  | 0  | 0  | 0  | 0 | 0 | 0 | 0 | 0 | 0 | 0 | 0 | 0 |   |
| ID                      | Acce | Field | Value ID | Value      | Description   |    |    |    |    |    |    |    |    |    |    |    |    |    |    |    |    |    |   |   |   |   |   |   |   |   |   |   |
| A                       | RW   | FREQ  |          |            | PDM_CLK frequency configuration                                     |    |    |    |    |    |    |    |    |    |    |    |    |    |    |    |    |    |   |   |   |   |   |   |   |   |   |   |
|                         |      |       | 1000K    | 0x08000000 | PDM_CLK = 32 MHz / 32 = 1.000 MHz                                   |    |    |    |    |    |    |    |    |    |    |    |    |    |    |    |    |    |   |   |   |   |   |   |   |   |   |   |
|                         |      |       | Default  | 0x08400000 | PDM_CLK = 32 MHz / 31 = 1.032 MHz. Nominal clock for RATIO=Ratio64. |    |    |    |    |    |    |    |    |    |    |    |    |    |    |    |    |    |   |   |   |   |   |   |   |   |   |   |
|                         |      |       | 1067K    | 0x08800000 | PDM_CLK = 32 MHz / 30 = 1.067 MHz                                   |    |    |    |    |    |    |    |    |    |    |    |    |    |    |    |    |    |   |   |   |   |   |   |   |   |   |   |
|                         |      |       | 1231K    | 0x09800000 | PDM_CLK = 32 MHz / 26 = 1.231 MHz                                   |    |    |    |    |    |    |    |    |    |    |    |    |    |    |    |    |    |   |   |   |   |   |   |   |   |   |   |
|                         |      |       | 1280K    | 0x0A000000 | PDM_CLK = 32 MHz / 25 = 1.280 MHz. Nominal clock for RATIO=Ratio80. |    |    |    |    |    |    |    |    |    |    |    |    |    |    |    |    |    |   |   |   |   |   |   |   |   |   |   |
|                         |      |       | 1333K    | 0x0A800000 | PDM_CLK = 32 MHz / 24 = 1.333 MHz                                   |    |    |    |    |    |    |    |    |    |    |    |    |    |    |    |    |    |   |   |   |   |   |   |   |   |   |   |

### 6.15.7.11 MODE

Address offset: 0x508

Defines the routing of the connected PDM microphones' signals

| Bit number              | 31   | 30        | 29          | 28    | 27   | 26 | 25 | 24 | 23 | 22 | 21 | 20 | 19 | 18 | 17 | 16 | 15 | 14 | 13 | 12 | 11 | 10 | 9 | 8 | 7 | 6 | 5 | 4 | 3 | 2 | 1 | 0 |   |
|-------------------------|------|-----------|-------------|-------|--|----|----|----|----|----|----|----|----|----|----|----|----|----|----|----|----|----|---|---|---|---|---|---|---|---|---|---|---|
| ID                      |      |           |             |       |  |    |    |    |    |    |    |    |    |    |    |    |    |    |    |    |    |    |   |   |   |   |   |   |   |   |   | B | A |
| <b>Reset 0x00000000</b> | 0    | 0         | 0           | 0     | 0  | 0  | 0  | 0  | 0  | 0  | 0  | 0  | 0  | 0  | 0  | 0  | 0  | 0  | 0  | 0  | 0  | 0  | 0 | 0 | 0 | 0 | 0 | 0 | 0 | 0 | 0 | 0 |   |
| ID                      | Acce | Field     | Value ID    | Value | Description  |    |    |    |    |    |    |    |    |    |    |    |    |    |    |    |    |    |   |   |   |   |   |   |   |   |   |   |   |
| A                       | RW   | OPERATION |             |       | Mono or stereo operation   |    |    |    |    |    |    |    |    |    |    |    |    |    |    |    |    |    |   |   |   |   |   |   |   |   |   |   |   |
|                         |      |           | Stereo      | 0     | Sample and store one pair (left + right) of 16-bit samples per RAM word R=[31:16]; L=[15:0]    |    |    |    |    |    |    |    |    |    |    |    |    |    |    |    |    |    |   |   |   |   |   |   |   |   |   |   |   |
|                         |      |           | Mono        | 1     | Sample and store two successive left samples (16 bits each) per RAM word L1=[31:16]; L0=[15:0] |    |    |    |    |    |    |    |    |    |    |    |    |    |    |    |    |    |   |   |   |   |   |   |   |   |   |   |   |
| B                       | RW   | EDGE      |             |       | Defines on which PDM_CLK edge left (or mono) is sampled  |    |    |    |    |    |    |    |    |    |    |    |    |    |    |    |    |    |   |   |   |   |   |   |   |   |   |   |   |
|                         |      |           | LeftFalling | 0     | Left (or mono) is sampled on falling edge of PDM_CLK   |    |    |    |    |    |    |    |    |    |    |    |    |    |    |    |    |    |   |   |   |   |   |   |   |   |   |   |   |
|                         |      |           | LeftRising  | 1     | Left (or mono) is sampled on rising edge of PDM_CLK  |    |    |    |    |    |    |    |    |    |    |    |    |    |    |    |    |    |   |   |   |   |   |   |   |   |   |   |   |

### 6.15.7.12 GAINL

Address offset: 0x518

Left output gain adjustment



| Bit number              | 31 30 29 28 27 26 25 24 23 22 21 20 19 18 17 16 15 14 13 12 11 10 9 8 7 6 5 4 3 2 1 0                    |             |       |  |  |  |  |  |  |  |  |  |  |  |  |  |  |  |  |  |  |  |  |  |  |  |  |  |  |   |   |   |   |   |   |  |  |  |  |
|-------------------------|--|-------------|-------|--|--|--|--|--|--|--|--|--|--|--|--|--|--|--|--|--|--|--|--|--|--|--|--|--|--|---|---|---|---|---|---|--|--|--|--|
| ID                      |  |             |       |  |  |  |  |  |  |  |  |  |  |  |  |  |  |  |  |  |  |  |  |  |  |  |  |  |  | A | A | A | A | A | A |  |  |  |  |
| <b>Reset 0x00000028</b> | <b>0 1 0 1 0 0 0</b> |             |       |  |  |  |  |  |  |  |  |  |  |  |  |  |  |  |  |  |  |  |  |  |  |  |  |  |  |   |   |   |   |   |   |  |  |  |  |
| ID                      | Acce Field   | Value ID    | Value | Description  |  |  |  |  |  |  |  |  |  |  |  |  |  |  |  |  |  |  |  |  |  |  |  |  |  |   |   |   |   |   |   |  |  |  |  |
| A                       | RW   | GAINL       |       | Left output gain adjustment, in 0.5 dB steps, around the default module gain (see electrical parameters) |  |  |  |  |  |  |  |  |  |  |  |  |  |  |  |  |  |  |  |  |  |  |  |  |  |   |   |   |   |   |   |  |  |  |  |
|                         |  |             |       | 0x00 -20 dB gain adjust  |  |  |  |  |  |  |  |  |  |  |  |  |  |  |  |  |  |  |  |  |  |  |  |  |  |   |   |   |   |   |   |  |  |  |  |
|                         |  |             |       | 0x01 -19.5 dB gain adjust  |  |  |  |  |  |  |  |  |  |  |  |  |  |  |  |  |  |  |  |  |  |  |  |  |  |   |   |   |   |   |   |  |  |  |  |
|                         |  |             |       | (...)  |  |  |  |  |  |  |  |  |  |  |  |  |  |  |  |  |  |  |  |  |  |  |  |  |  |   |   |   |   |   |   |  |  |  |  |
|                         |  |             |       | 0x27 -0.5 dB gain adjust   |  |  |  |  |  |  |  |  |  |  |  |  |  |  |  |  |  |  |  |  |  |  |  |  |  |   |   |   |   |   |   |  |  |  |  |
|                         |  |             |       | 0x28 0 dB gain adjust  |  |  |  |  |  |  |  |  |  |  |  |  |  |  |  |  |  |  |  |  |  |  |  |  |  |   |   |   |   |   |   |  |  |  |  |
|                         |  |             |       | 0x29 +0.5 dB gain adjust   |  |  |  |  |  |  |  |  |  |  |  |  |  |  |  |  |  |  |  |  |  |  |  |  |  |   |   |   |   |   |   |  |  |  |  |
|                         |  |             |       | (...)  |  |  |  |  |  |  |  |  |  |  |  |  |  |  |  |  |  |  |  |  |  |  |  |  |  |   |   |   |   |   |   |  |  |  |  |
|                         |  |             |       | 0x4F +19.5 dB gain adjust  |  |  |  |  |  |  |  |  |  |  |  |  |  |  |  |  |  |  |  |  |  |  |  |  |  |   |   |   |   |   |   |  |  |  |  |
|                         |  |             |       | 0x50 +20 dB gain adjust  |  |  |  |  |  |  |  |  |  |  |  |  |  |  |  |  |  |  |  |  |  |  |  |  |  |   |   |   |   |   |   |  |  |  |  |
|                         |  | MinGain     | 0x00  | -20 dB gain adjustment (minimum)   |  |  |  |  |  |  |  |  |  |  |  |  |  |  |  |  |  |  |  |  |  |  |  |  |  |   |   |   |   |   |   |  |  |  |  |
|                         |  | DefaultGain | 0x28  | 0 dB gain adjustment   |  |  |  |  |  |  |  |  |  |  |  |  |  |  |  |  |  |  |  |  |  |  |  |  |  |   |   |   |   |   |   |  |  |  |  |
|                         |  | MaxGain     | 0x50  | +20 dB gain adjustment (maximum)   |  |  |  |  |  |  |  |  |  |  |  |  |  |  |  |  |  |  |  |  |  |  |  |  |  |   |   |   |   |   |   |  |  |  |  |

### 6.15.7.13 GAINR

Address offset: 0x51C

Right output gain adjustment

| Bit number              | 31 30 29 28 27 26 25 24 23 22 21 20 19 18 17 16 15 14 13 12 11 10 9 8 7 6 5 4 3 2 1 0                    |             |       |   |  |  |  |  |  |  |  |  |  |  |  |  |  |  |  |  |  |  |  |  |  |  |  |  |  |   |   |   |   |   |   |  |  |  |  |
|-------------------------|--|-------------|-------|---|--|--|--|--|--|--|--|--|--|--|--|--|--|--|--|--|--|--|--|--|--|--|--|--|--|---|---|---|---|---|---|--|--|--|--|
| ID                      |  |             |       |   |  |  |  |  |  |  |  |  |  |  |  |  |  |  |  |  |  |  |  |  |  |  |  |  |  | A | A | A | A | A | A |  |  |  |  |
| <b>Reset 0x00000028</b> | <b>0 1 0 1 0 0 0</b> |             |       |   |  |  |  |  |  |  |  |  |  |  |  |  |  |  |  |  |  |  |  |  |  |  |  |  |  |   |   |   |   |   |   |  |  |  |  |
| ID                      | Acce Field   | Value ID    | Value | Description   |  |  |  |  |  |  |  |  |  |  |  |  |  |  |  |  |  |  |  |  |  |  |  |  |  |   |   |   |   |   |   |  |  |  |  |
| A                       | RW   | GAINR       |       | Right output gain adjustment, in 0.5 dB steps, around the default module gain (see electrical parameters) |  |  |  |  |  |  |  |  |  |  |  |  |  |  |  |  |  |  |  |  |  |  |  |  |  |   |   |   |   |   |   |  |  |  |  |
|                         |  | MinGain     | 0x00  | -20 dB gain adjustment (minimum)  |  |  |  |  |  |  |  |  |  |  |  |  |  |  |  |  |  |  |  |  |  |  |  |  |  |   |   |   |   |   |   |  |  |  |  |
|                         |  | DefaultGain | 0x28  | 0 dB gain adjustment  |  |  |  |  |  |  |  |  |  |  |  |  |  |  |  |  |  |  |  |  |  |  |  |  |  |   |   |   |   |   |   |  |  |  |  |
|                         |  | MaxGain     | 0x50  | +20 dB gain adjustment (maximum)  |  |  |  |  |  |  |  |  |  |  |  |  |  |  |  |  |  |  |  |  |  |  |  |  |  |   |   |   |   |   |   |  |  |  |  |

### 6.15.7.14 RATIO

Address offset: 0x520

Selects the ratio between PDM\_CLK and output sample rate. Change PDMCLKCTRL accordingly.

| Bit number              | 31 30 29 28 27 26 25 24 23 22 21 20 19 18 17 16 15 14 13 12 11 10 9 8 7 6 5 4 3 2 1 0                    |          |       |  |  |  |  |  |  |  |  |  |  |  |  |  |  |  |  |  |  |  |  |  |  |  |  |  |  |  |  |   |
|-------------------------|--|----------|-------|--|--|--|--|--|--|--|--|--|--|--|--|--|--|--|--|--|--|--|--|--|--|--|--|--|--|--|--|---|
| ID                      |  |          |       |  |  |  |  |  |  |  |  |  |  |  |  |  |  |  |  |  |  |  |  |  |  |  |  |  |  |  |  | A |
| <b>Reset 0x00000000</b> | <b>0 0</b> |          |       |  |  |  |  |  |  |  |  |  |  |  |  |  |  |  |  |  |  |  |  |  |  |  |  |  |  |  |  |   |
| ID                      | Acce Field   | Value ID | Value | Description  |  |  |  |  |  |  |  |  |  |  |  |  |  |  |  |  |  |  |  |  |  |  |  |  |  |  |  |   |
| A                       | RW   | RATIO    |       | Selects the ratio between PDM_CLK and output sample rate |  |  |  |  |  |  |  |  |  |  |  |  |  |  |  |  |  |  |  |  |  |  |  |  |  |  |  |   |
|                         |  | Ratio64  | 0     | Ratio of 64  |  |  |  |  |  |  |  |  |  |  |  |  |  |  |  |  |  |  |  |  |  |  |  |  |  |  |  |   |
|                         |  | Ratio80  | 1     | Ratio of 80  |  |  |  |  |  |  |  |  |  |  |  |  |  |  |  |  |  |  |  |  |  |  |  |  |  |  |  |   |

### 6.15.7.15 PSEL.CLK

Address offset: 0x540

## Pin number configuration for PDM CLK signal

| Bit number       | 31  | 30           | 29      | 28          | 27 | 26 | 25 | 24 | 23 | 22 | 21 | 20 | 19 | 18 | 17 | 16 | 15 | 14 | 13 | 12 | 11 | 10 | 9 | 8 | 7 | 6 | 5 | 4 | 3 | 2 | 1 | 0 |
|------------------|---|--------------|---------|-------------|----|----|----|----|----|----|----|----|----|----|----|----|----|----|----|----|----|----|---|---|---|---|---|---|---|---|---|---|
| ID               | C   |              |         |             |    |    |    |    |    |    |    |    |    |    |    |    |    |    |    |    |    |    |   |   |   |   |   |   |   |   |   |   |
| Reset 0xFFFFFFFF | 1 |              |         |             |    |    |    |    |    |    |    |    |    |    |    |    |    |    |    |    |    |    |   |   |   |   |   |   |   |   |   |   |
| ID               | Acce Field  | Value ID     | Value   | Description |    |    |    |    |    |    |    |    |    |    |    |    |    |    |    |    |    |    |   |   |   |   |   |   |   |   |   |   |
| A                | RW PIN  |              | [0..31] | Pin number  |    |    |    |    |    |    |    |    |    |    |    |    |    |    |    |    |    |    |   |   |   |   |   |   |   |   |   |   |
| B                | RW PORT   |              | [0..1]  | Port number |    |    |    |    |    |    |    |    |    |    |    |    |    |    |    |    |    |    |   |   |   |   |   |   |   |   |   |   |
| C                | RW CONNECT  |              |         | Connection  |    |    |    |    |    |    |    |    |    |    |    |    |    |    |    |    |    |    |   |   |   |   |   |   |   |   |   |   |
|                  |   | Disconnected | 1       | Disconnect  |    |    |    |    |    |    |    |    |    |    |    |    |    |    |    |    |    |    |   |   |   |   |   |   |   |   |   |   |
|                  |   | Connected    | 0       | Connect     |    |    |    |    |    |    |    |    |    |    |    |    |    |    |    |    |    |    |   |   |   |   |   |   |   |   |   |   |

## 6.15.7.16 PSEL.DIN

Address offset: 0x544

## Pin number configuration for PDM DIN signal

| Bit number       | 31  | 30           | 29      | 28          | 27 | 26 | 25 | 24 | 23 | 22 | 21 | 20 | 19 | 18 | 17 | 16 | 15 | 14 | 13 | 12 | 11 | 10 | 9 | 8 | 7 | 6 | 5 | 4 | 3 | 2 | 1 | 0 |
|------------------|---|--------------|---------|-------------|----|----|----|----|----|----|----|----|----|----|----|----|----|----|----|----|----|----|---|---|---|---|---|---|---|---|---|---|
| ID               | C   |              |         |             |    |    |    |    |    |    |    |    |    |    |    |    |    |    |    |    |    |    |   |   |   |   |   |   |   |   |   |   |
| Reset 0xFFFFFFFF | 1 |              |         |             |    |    |    |    |    |    |    |    |    |    |    |    |    |    |    |    |    |    |   |   |   |   |   |   |   |   |   |   |
| ID               | Acce Field  | Value ID     | Value   | Description |    |    |    |    |    |    |    |    |    |    |    |    |    |    |    |    |    |    |   |   |   |   |   |   |   |   |   |   |
| A                | RW PIN  |              | [0..31] | Pin number  |    |    |    |    |    |    |    |    |    |    |    |    |    |    |    |    |    |    |   |   |   |   |   |   |   |   |   |   |
| B                | RW PORT   |              | [0..1]  | Port number |    |    |    |    |    |    |    |    |    |    |    |    |    |    |    |    |    |    |   |   |   |   |   |   |   |   |   |   |
| C                | RW CONNECT  |              |         | Connection  |    |    |    |    |    |    |    |    |    |    |    |    |    |    |    |    |    |    |   |   |   |   |   |   |   |   |   |   |
|                  |   | Disconnected | 1       | Disconnect  |    |    |    |    |    |    |    |    |    |    |    |    |    |    |    |    |    |    |   |   |   |   |   |   |   |   |   |   |
|                  |   | Connected    | 0       | Connect     |    |    |    |    |    |    |    |    |    |    |    |    |    |    |    |    |    |    |   |   |   |   |   |   |   |   |   |   |

## 6.15.7.17 SAMPLE.PTR

Address offset: 0x560

## RAM address pointer to write samples to with EasyDMA

| Bit number       | 31  | 30       | 29    | 28                                       | 27 | 26 | 25 | 24 | 23 | 22 | 21 | 20 | 19 | 18 | 17 | 16 | 15 | 14 | 13 | 12 | 11 | 10 | 9 | 8 | 7 | 6 | 5 | 4 | 3 | 2 | 1 | 0 |
|------------------|---|----------|-------|--|----|----|----|----|----|----|----|----|----|----|----|----|----|----|----|----|----|----|---|---|---|---|---|---|---|---|---|---|
| ID               | A         |          |       |  |    |    |    |    |    |    |    |    |    |    |    |    |    |    |    |    |    |    |   |   |   |   |   |   |   |   |   |   |
| Reset 0x00000000 | 0 |          |       |  |    |    |    |    |    |    |    |    |    |    |    |    |    |    |    |    |    |    |   |   |   |   |   |   |   |   |   |   |
| ID               | Acce Field  | Value ID | Value | Description                              |    |    |    |    |    |    |    |    |    |    |    |    |    |    |    |    |    |    |   |   |   |   |   |   |   |   |   |   |
| A                | RW SAMPLEPTR  |          |       | Address to write PDM samples to over DMA |    |    |    |    |    |    |    |    |    |    |    |    |    |    |    |    |    |    |   |   |   |   |   |   |   |   |   |   |

**Note:** See the memory chapter for details about which memories are available for EasyDMA.

## 6.15.7.18 SAMPLE.MAXCNT

Address offset: 0x564

## Number of samples to allocate memory for in EasyDMA mode

| Bit number       | 31  | 30       | 29         | 28  | 27 | 26 | 25 | 24 | 23 | 22 | 21 | 20 | 19 | 18 | 17 | 16 | 15 | 14 | 13 | 12 | 11 | 10 | 9 | 8 | 7 | 6 | 5 | 4 | 3 | 2 | 1 | 0 |
|------------------|---|----------|------------|---|----|----|----|----|----|----|----|----|----|----|----|----|----|----|----|----|----|----|---|---|---|---|---|---|---|---|---|---|
| ID               | A         |          |            |   |    |    |    |    |    |    |    |    |    |    |    |    |    |    |    |    |    |    |   |   |   |   |   |   |   |   |   |   |
| Reset 0x00000000 | 0 |          |            |   |    |    |    |    |    |    |    |    |    |    |    |    |    |    |    |    |    |    |   |   |   |   |   |   |   |   |   |   |
| ID               | Acce Field  | Value ID | Value      | Description                                       |    |    |    |    |    |    |    |    |    |    |    |    |    |    |    |    |    |    |   |   |   |   |   |   |   |   |   |   |
| A                | RW BUFFSIZE   |          | [0..32767] | Length of DMA RAM allocation in number of samples |    |    |    |    |    |    |    |    |    |    |    |    |    |    |    |    |    |    |   |   |   |   |   |   |   |   |   |   |

## 6.15.8 Electrical specification

### 6.15.8.1 PDM Electrical Specification

| Symbol                   | Description  | Min. | Typ.  | Max. | Units |
|--------------------------|--|------|-------|------|-------|
| $f_{\text{PDM,CLK},64}$  | PDM clock speed. PDMCLKCTRL = Default (Setting needed for 16 MHz sample frequency @ RATIO = Ratio64) |      | 1.032 |      | MHz   |
| $f_{\text{PDM,CLK},80}$  | PDM clock speed. PDMCLKCTRL = 1280K (Setting needed for 16 MHz sample frequency @ RATIO = Ratio80)   |      | 1.280 |      | MHz   |
| $t_{\text{PDM,JITTER}}$  | Jitter in PDM clock output   |      |       | 20   | ns    |
| $T_{\text{dPDM,CLK}}$    | PDM clock duty cycle   | 40   | 50    | 60   | %     |
| $t_{\text{PDM,DATA}}$    | Decimation filter delay  |      |       | 5    | ms    |
| $t_{\text{PDM,cv}}$      | Allowed clock edge to data valid   |      |       | 125  | ns    |
| $t_{\text{PDM,ci}}$      | Allowed (other) clock edge to data invalid   | 0    |       |      | ns    |
| $t_{\text{PDM,s}}$       | Data setup time at $f_{\text{PDM,CLK}}=1.024$ MHz or 1.280 MHz                                       | 65   |       |      | ns    |
| $t_{\text{PDM,h}}$       | Data hold time at $f_{\text{PDM,CLK}}=1.024$ MHz or 1.280 MHz  | 0    |       |      | ns    |
| $G_{\text{PDM,default}}$ | Default (reset) absolute gain of the PDM module  |      | 3.2   |      | dB    |

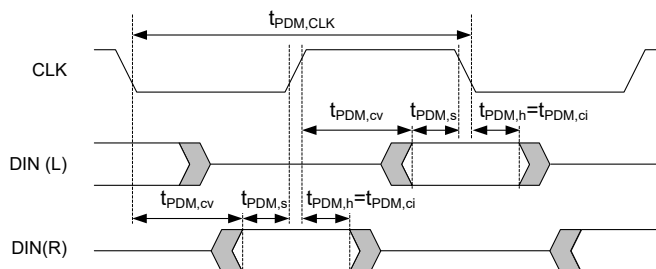


Figure 74: PDM timing diagram

## 6.16 PPI — Programmable peripheral interconnect

The programmable peripheral interconnect (PPI) enables peripherals to interact autonomously with each other using tasks and events independent of the CPU. The PPI allows precise synchronization between peripherals when real-time application constraints exist and eliminates the need for CPU activity to implement behavior which can be predefined using PPI.

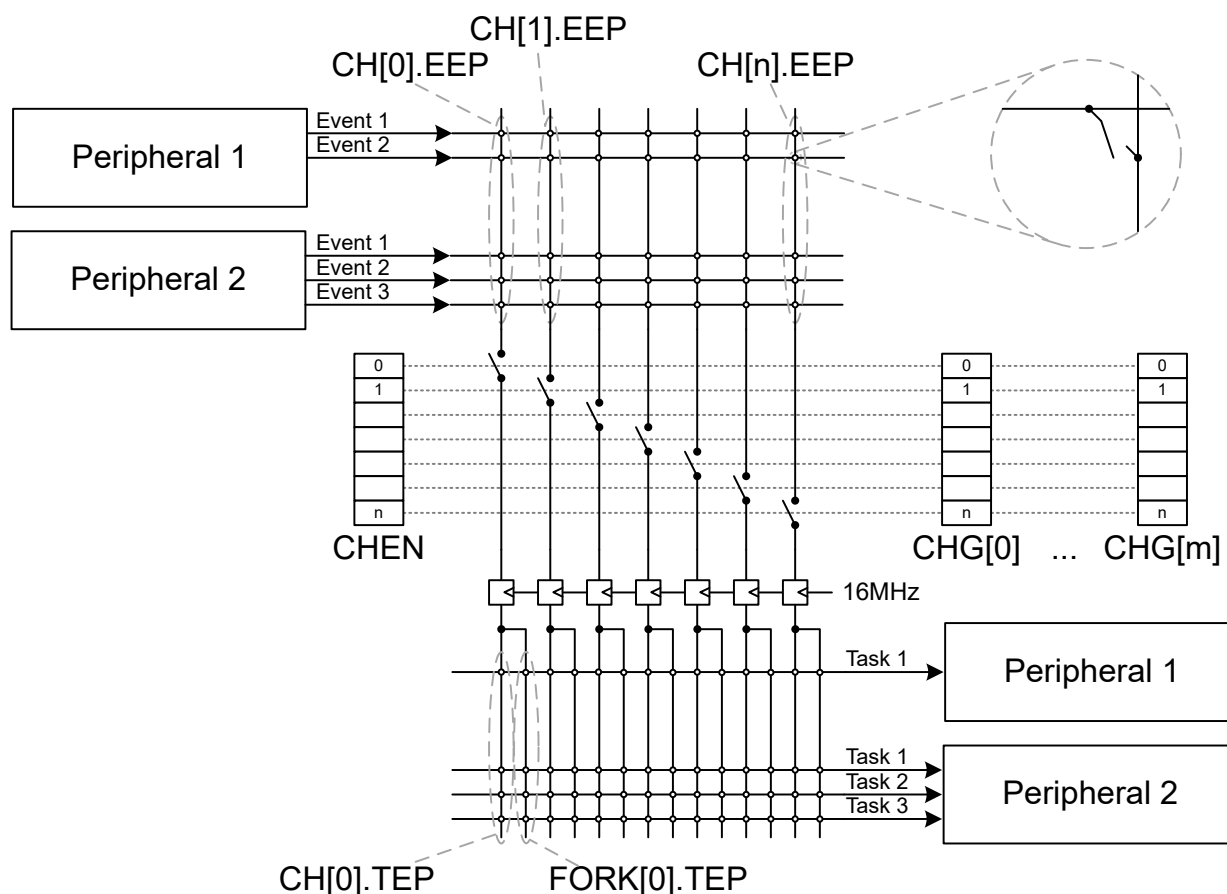


Figure 75: PPI block diagram

The PPI system has, in addition to the fully programmable peripheral interconnections, a set of channels where the event end point (EEP) and task end points (TEP) are fixed in hardware. These fixed channels can be individually enabled, disabled, or added to PPI channel groups (see CHG[n] registers), in the same way as ordinary PPI channels.

| Instance    | Channel | Number of channels |
|-------------|---------|--------------------|
| PPI         | 0-19    | 20                 |
| PPI (fixed) | 20-31   | 12                 |

Table 71: Configurable and fixed PPI channels

The PPI provides a mechanism to automatically trigger a task in one peripheral as a result of an event occurring in another peripheral. A task is connected to an event through a PPI channel. The PPI channel is composed of three end point registers, one EEP, and two TEPs. A peripheral task is connected to a TEP using the address of the task register associated with the task. Similarly, a peripheral event is connected to an EEP using the address of the event register associated with the event.

On each PPI channel, the signals are synchronized to the 16 MHz clock to avoid any internal violation of setup and hold timings. As a consequence, events that are synchronous to the 16 MHz clock will be delayed by one clock period, while other asynchronous events will be delayed by up to one 16 MHz clock period.

**Note:** Shortcuts (as defined in the SHORTS register in each peripheral) are not affected by this 16 MHz synchronization, and are therefore not delayed.

Each TEP implements a fork mechanism that enables a second task to be triggered at the same time as the task specified in the TEP is triggered. This second task is configured in the task end point register in the FORK registers groups, e.g. FORK.TEP[0] is associated with PPI channel CH[0].

There are two ways of enabling and disabling PPI channels:

- Enable or disable PPI channels individually using the CHEN, CHENSET, and CHENCLR registers.
- Enable or disable PPI channels in PPI channel groups through the groups' ENABLE and DISABLE tasks. Prior to these tasks being triggered, the PPI channel group must be configured to define which PPI channels belong to which groups.

**Note:** When a channel belongs to two groups m and n, and the tasks CHG[m].EN and CHG[n].DIS occur simultaneously (m and n can be equal or different), the CHG[m].EN on that channel has priority.

PPI tasks (for example, CHG[0].EN) can be triggered through the PPI like any other task, which means they can be hooked to a PPI channel as a TEP. One event can trigger multiple tasks by using multiple channels and one task can be triggered by multiple events in the same way.

### 6.16.1 Pre-programmed channels

Some of the PPI channels are pre-programmed. These channels cannot be configured by the CPU, but can be added to groups and enabled and disabled like the general purpose PPI channels. The FORK TEP for these channels are still programmable and can be used by the application.

For a list of pre-programmed PPI channels, see the following table.

| Channel | EEP                       | TEP                      |
|---------|---------------------------|--------------------------|
| 20      | TIMERO->EVENTS_COMPARE[0] | RADIO->TASKS_TXEN        |
| 21      | TIMERO->EVENTS_COMPARE[0] | RADIO->TASKS_RXEN        |
| 22      | TIMERO->EVENTS_COMPARE[1] | RADIO->TASKS_DISABLE     |
| 23      | RADIO->EVENTS_BCMATCH     | AAR->TASKS_START         |
| 24      | RADIO->EVENTS_READY       | CCM->TASKS_KSGEN         |
| 25      | RADIO->EVENTS_ADDRESS     | CCM->TASKS_CRYPT         |
| 26      | RADIO->EVENTS_ADDRESS     | TIMERO->TASKS_CAPTURE[1] |
| 27      | RADIO->EVENTS_END         | TIMERO->TASKS_CAPTURE[2] |
| 28      | RTCO->EVENTS_COMPARE[0]   | RADIO->TASKS_TXEN        |
| 29      | RTCO->EVENTS_COMPARE[0]   | RADIO->TASKS_RXEN        |
| 30      | RTCO->EVENTS_COMPARE[0]   | TIMERO->TASKS_CLEAR      |
| 31      | RTCO->EVENTS_COMPARE[0]   | TIMERO->TASKS_START      |

Table 72: Pre-programmed channels

### 6.16.2 Registers

| Base address | Peripheral | Instance | Description                          | Configuration |
|--------------|------------|----------|--------------------------------------|---------------|
| 0x4001F000   | PPI        | PPI      | Programmable peripheral interconnect |               |

Table 73: Instances

| Register         | Offset | Description             |
|------------------|--------|-------------------------|
| TASKS_CHG[0].EN  | 0x000  | Enable channel group 0  |
| TASKS_CHG[0].DIS | 0x004  | Disable channel group 0 |
| TASKS_CHG[1].EN  | 0x008  | Enable channel group 1  |
| TASKS_CHG[1].DIS | 0x00C  | Disable channel group 1 |

| Register         | Offset | Description                   |
|------------------|--------|-------------------------------|
| TASKS_CHG[2].EN  | 0x010  | Enable channel group 2        |
| TASKS_CHG[2].DIS | 0x014  | Disable channel group 2       |
| TASKS_CHG[3].EN  | 0x018  | Enable channel group 3        |
| TASKS_CHG[3].DIS | 0x01C  | Disable channel group 3       |
| TASKS_CHG[4].EN  | 0x020  | Enable channel group 4        |
| TASKS_CHG[4].DIS | 0x024  | Disable channel group 4       |
| TASKS_CHG[5].EN  | 0x028  | Enable channel group 5        |
| TASKS_CHG[5].DIS | 0x02C  | Disable channel group 5       |
| CHEN             | 0x500  | Channel enable register       |
| CHENSET          | 0x504  | Channel enable set register   |
| CHENCLR          | 0x508  | Channel enable clear register |
| CH[0].EEP        | 0x510  | Channel 0 event endpoint      |
| CH[0].TEP        | 0x514  | Channel 0 task endpoint       |
| CH[1].EEP        | 0x518  | Channel 1 event endpoint      |
| CH[1].TEP        | 0x51C  | Channel 1 task endpoint       |
| CH[2].EEP        | 0x520  | Channel 2 event endpoint      |
| CH[2].TEP        | 0x524  | Channel 2 task endpoint       |
| CH[3].EEP        | 0x528  | Channel 3 event endpoint      |
| CH[3].TEP        | 0x52C  | Channel 3 task endpoint       |
| CH[4].EEP        | 0x530  | Channel 4 event endpoint      |
| CH[4].TEP        | 0x534  | Channel 4 task endpoint       |
| CH[5].EEP        | 0x538  | Channel 5 event endpoint      |
| CH[5].TEP        | 0x53C  | Channel 5 task endpoint       |
| CH[6].EEP        | 0x540  | Channel 6 event endpoint      |
| CH[6].TEP        | 0x544  | Channel 6 task endpoint       |
| CH[7].EEP        | 0x548  | Channel 7 event endpoint      |
| CH[7].TEP        | 0x54C  | Channel 7 task endpoint       |
| CH[8].EEP        | 0x550  | Channel 8 event endpoint      |
| CH[8].TEP        | 0x554  | Channel 8 task endpoint       |
| CH[9].EEP        | 0x558  | Channel 9 event endpoint      |
| CH[9].TEP        | 0x55C  | Channel 9 task endpoint       |
| CH[10].EEP       | 0x560  | Channel 10 event endpoint     |
| CH[10].TEP       | 0x564  | Channel 10 task endpoint      |
| CH[11].EEP       | 0x568  | Channel 11 event endpoint     |
| CH[11].TEP       | 0x56C  | Channel 11 task endpoint      |
| CH[12].EEP       | 0x570  | Channel 12 event endpoint     |
| CH[12].TEP       | 0x574  | Channel 12 task endpoint      |
| CH[13].EEP       | 0x578  | Channel 13 event endpoint     |
| CH[13].TEP       | 0x57C  | Channel 13 task endpoint      |
| CH[14].EEP       | 0x580  | Channel 14 event endpoint     |
| CH[14].TEP       | 0x584  | Channel 14 task endpoint      |
| CH[15].EEP       | 0x588  | Channel 15 event endpoint     |
| CH[15].TEP       | 0x58C  | Channel 15 task endpoint      |
| CH[16].EEP       | 0x590  | Channel 16 event endpoint     |
| CH[16].TEP       | 0x594  | Channel 16 task endpoint      |
| CH[17].EEP       | 0x598  | Channel 17 event endpoint     |
| CH[17].TEP       | 0x59C  | Channel 17 task endpoint      |
| CH[18].EEP       | 0x5A0  | Channel 18 event endpoint     |
| CH[18].TEP       | 0x5A4  | Channel 18 task endpoint      |
| CH[19].EEP       | 0x5A8  | Channel 19 event endpoint     |
| CH[19].TEP       | 0x5AC  | Channel 19 task endpoint      |
| CHG[0]           | 0x800  | Channel group 0               |
| CHG[1]           | 0x804  | Channel group 1               |

| Register     | Offset | Description              |
|--------------|--------|--------------------------|
| CHG[2]       | 0x808  | Channel group 2          |
| CHG[3]       | 0x80C  | Channel group 3          |
| CHG[4]       | 0x810  | Channel group 4          |
| CHG[5]       | 0x814  | Channel group 5          |
| FORK[0].TEP  | 0x910  | Channel 0 task endpoint  |
| FORK[1].TEP  | 0x914  | Channel 1 task endpoint  |
| FORK[2].TEP  | 0x918  | Channel 2 task endpoint  |
| FORK[3].TEP  | 0x91C  | Channel 3 task endpoint  |
| FORK[4].TEP  | 0x920  | Channel 4 task endpoint  |
| FORK[5].TEP  | 0x924  | Channel 5 task endpoint  |
| FORK[6].TEP  | 0x928  | Channel 6 task endpoint  |
| FORK[7].TEP  | 0x92C  | Channel 7 task endpoint  |
| FORK[8].TEP  | 0x930  | Channel 8 task endpoint  |
| FORK[9].TEP  | 0x934  | Channel 9 task endpoint  |
| FORK[10].TEP | 0x938  | Channel 10 task endpoint |
| FORK[11].TEP | 0x93C  | Channel 11 task endpoint |
| FORK[12].TEP | 0x940  | Channel 12 task endpoint |
| FORK[13].TEP | 0x944  | Channel 13 task endpoint |
| FORK[14].TEP | 0x948  | Channel 14 task endpoint |
| FORK[15].TEP | 0x94C  | Channel 15 task endpoint |
| FORK[16].TEP | 0x950  | Channel 16 task endpoint |
| FORK[17].TEP | 0x954  | Channel 17 task endpoint |
| FORK[18].TEP | 0x958  | Channel 18 task endpoint |
| FORK[19].TEP | 0x95C  | Channel 19 task endpoint |
| FORK[20].TEP | 0x960  | Channel 20 task endpoint |
| FORK[21].TEP | 0x964  | Channel 21 task endpoint |
| FORK[22].TEP | 0x968  | Channel 22 task endpoint |
| FORK[23].TEP | 0x96C  | Channel 23 task endpoint |
| FORK[24].TEP | 0x970  | Channel 24 task endpoint |
| FORK[25].TEP | 0x974  | Channel 25 task endpoint |
| FORK[26].TEP | 0x978  | Channel 26 task endpoint |
| FORK[27].TEP | 0x97C  | Channel 27 task endpoint |
| FORK[28].TEP | 0x980  | Channel 28 task endpoint |
| FORK[29].TEP | 0x984  | Channel 29 task endpoint |
| FORK[30].TEP | 0x988  | Channel 30 task endpoint |
| FORK[31].TEP | 0x98C  | Channel 31 task endpoint |

Table 74: Register overview

### 6.16.2.1 TASKS\_CHG[n].EN (n=0..5)

Address offset:  $0x000 + (n \times 0x8)$

Enable channel group n

| Bit number | 31 30 29 28 27 26 25 24 23 22 21 20 19 18 17 16 15 14 13 12 11 10 9 8 7 6 5 4 3 2 1 0 |       |          |       |  |  |  |  |  |  |  |  |  |  |  |  |  |  |  |  |  |  |  |  |  |  |  |  |  |  |  |
|------------|---|-------|----------|-------|--|--|--|--|--|--|--|--|--|--|--|--|--|--|--|--|--|--|--|--|--|--|--|--|--|--|--|
| ID         | A   |       |          |       |  |  |  |  |  |  |  |  |  |  |  |  |  |  |  |  |  |  |  |  |  |  |  |  |  |  |  |
| Reset      | 0                       |       |          |       |  |  |  |  |  |  |  |  |  |  |  |  |  |  |  |  |  |  |  |  |  |  |  |  |  |  |  |
| ID         | Acc   | Field | Value ID | Value | Description                            |  |  |  |  |  |  |  |  |  |  |  |  |  |  |  |  |  |  |  |  |  |  |  |  |  |  |
| A          | W   | EN    | Trigger  | 1     | Enable channel group n<br>Trigger task |  |  |  |  |  |  |  |  |  |  |  |  |  |  |  |  |  |  |  |  |  |  |  |  |  |  |

### 6.16.2.2 TASKS\_CHG[n].DIS (n=0..5)

Address offset: 0x004 + (n × 0x8)

Disable channel group n

| Bit number       | 31  | 30       | 29    | 28                      | 27 | 26 | 25 | 24 | 23 | 22 | 21 | 20 | 19 | 18 | 17 | 16 | 15 | 14 | 13 | 12 | 11 | 10 | 9 | 8 | 7 | 6 | 5 | 4 | 3 | 2 | 1 | 0 |   |
|------------------|---|----------|-------|-------------------------|----|----|----|----|----|----|----|----|----|----|----|----|----|----|----|----|----|----|---|---|---|---|---|---|---|---|---|---|---|
| ID               |   |          |       |                         |    |    |    |    |    |    |    |    |    |    |    |    |    |    |    |    |    |    |   |   |   |   |   |   |   |   |   |   | A |
| Reset 0x00000000 | 0 |          |       |                         |    |    |    |    |    |    |    |    |    |    |    |    |    |    |    |    |    |    |   |   |   |   |   |   |   |   |   |   |   |
| ID               | Acce Field  | Value ID | Value | Description             |    |    |    |    |    |    |    |    |    |    |    |    |    |    |    |    |    |    |   |   |   |   |   |   |   |   |   |   |   |
| A                | W DIS   |          |       | Disable channel group n |    |    |    |    |    |    |    |    |    |    |    |    |    |    |    |    |    |    |   |   |   |   |   |   |   |   |   |   |   |
|                  |   | Trigger  | 1     | Trigger task            |    |    |    |    |    |    |    |    |    |    |    |    |    |    |    |    |    |    |   |   |   |   |   |   |   |   |   |   |   |

### 6.16.2.3 CHEN

Address offset: 0x500

Channel enable register

| Bit number       | 31  | 30       | 29    | 28                          | 27 | 26 | 25 | 24 | 23 | 22 | 21 | 20 | 19 | 18 | 17 | 16 | 15 | 14 | 13 | 12 | 11 | 10 | 9 | 8 | 7 | 6 | 5 | 4 | 3 | 2 | 1 | 0 |
|------------------|---|----------|-------|-----------------------------|----|----|----|----|----|----|----|----|----|----|----|----|----|----|----|----|----|----|---|---|---|---|---|---|---|---|---|---|
| ID               | f   | e        | d     | c                           | b  | a  | Z  | Y  | X  | W  | V  | U  | T  | S  | R  | Q  | P  | O  | N  | M  | L  | K  | J | I | H | G | F | E | D | C | B | A |
| Reset 0x00000000 | 0 |          |       |                             |    |    |    |    |    |    |    |    |    |    |    |    |    |    |    |    |    |    |   |   |   |   |   |   |   |   |   |   |
| ID               | Acce Field  | Value ID | Value | Description                 |    |    |    |    |    |    |    |    |    |    |    |    |    |    |    |    |    |    |   |   |   |   |   |   |   |   |   |   |
| A-T              | RW CH[i] (i=0..19)  |          |       | Enable or disable channel i |    |    |    |    |    |    |    |    |    |    |    |    |    |    |    |    |    |    |   |   |   |   |   |   |   |   |   |   |
|                  |   | Disabled | 0     | Disable channel             |    |    |    |    |    |    |    |    |    |    |    |    |    |    |    |    |    |    |   |   |   |   |   |   |   |   |   |   |
|                  |   | Enabled  | 1     | Enable channel              |    |    |    |    |    |    |    |    |    |    |    |    |    |    |    |    |    |    |   |   |   |   |   |   |   |   |   |   |
| U-f              | RW CH[i] (i=20..31)   |          |       | Enable or disable channel i |    |    |    |    |    |    |    |    |    |    |    |    |    |    |    |    |    |    |   |   |   |   |   |   |   |   |   |   |
|                  |   | Disabled | 0     | Disable channel             |    |    |    |    |    |    |    |    |    |    |    |    |    |    |    |    |    |    |   |   |   |   |   |   |   |   |   |   |
|                  |   | Enabled  | 1     | Enable channel              |    |    |    |    |    |    |    |    |    |    |    |    |    |    |    |    |    |    |   |   |   |   |   |   |   |   |   |   |

### 6.16.2.4 CHENSET

Address offset: 0x504

Channel enable set register

Read: reads value of CH{i} field in CHEN register.

| Bit number       | 31  | 30       | 29    | 28  | 27 | 26 | 25 | 24 | 23 | 22 | 21 | 20 | 19 | 18 | 17 | 16 | 15 | 14 | 13 | 12 | 11 | 10 | 9 | 8 | 7 | 6 | 5 | 4 | 3 | 2 | 1 | 0 |
|------------------|---|----------|-------|---|----|----|----|----|----|----|----|----|----|----|----|----|----|----|----|----|----|----|---|---|---|---|---|---|---|---|---|---|
| ID               | f   | e        | d     | c   | b  | a  | Z  | Y  | X  | W  | V  | U  | T  | S  | R  | Q  | P  | O  | N  | M  | L  | K  | J | I | H | G | F | E | D | C | B | A |
| Reset 0x00000000 | 0 |          |       |   |    |    |    |    |    |    |    |    |    |    |    |    |    |    |    |    |    |    |   |   |   |   |   |   |   |   |   |   |
| ID               | Acce Field  | Value ID | Value | Description   |    |    |    |    |    |    |    |    |    |    |    |    |    |    |    |    |    |    |   |   |   |   |   |   |   |   |   |   |
| A-T              | RW CH[i] (i=0..19)  |          |       | Channel i enable set register. Writing '0' has no effect. |    |    |    |    |    |    |    |    |    |    |    |    |    |    |    |    |    |    |   |   |   |   |   |   |   |   |   |   |
|                  |   | Disabled | 0     | Read: channel disabled                                    |    |    |    |    |    |    |    |    |    |    |    |    |    |    |    |    |    |    |   |   |   |   |   |   |   |   |   |   |
|                  |   | Enabled  | 1     | Read: channel enabled                                     |    |    |    |    |    |    |    |    |    |    |    |    |    |    |    |    |    |    |   |   |   |   |   |   |   |   |   |   |
|                  |   | Set      | 1     | Write: Enable channel                                     |    |    |    |    |    |    |    |    |    |    |    |    |    |    |    |    |    |    |   |   |   |   |   |   |   |   |   |   |
| U-f              | RW CH[i] (i=20..31)   |          |       | Channel i enable set register. Writing '0' has no effect. |    |    |    |    |    |    |    |    |    |    |    |    |    |    |    |    |    |    |   |   |   |   |   |   |   |   |   |   |
|                  |   | Disabled | 0     | Read: channel disabled                                    |    |    |    |    |    |    |    |    |    |    |    |    |    |    |    |    |    |    |   |   |   |   |   |   |   |   |   |   |
|                  |   | Enabled  | 1     | Read: channel enabled                                     |    |    |    |    |    |    |    |    |    |    |    |    |    |    |    |    |    |    |   |   |   |   |   |   |   |   |   |   |
|                  |   | Set      | 1     | Write: Enable channel                                     |    |    |    |    |    |    |    |    |    |    |    |    |    |    |    |    |    |    |   |   |   |   |   |   |   |   |   |   |

### 6.16.2.5 CHENCLR

Address offset: 0x508

Channel enable clear register



Read: reads value of CH{i} field in CHEN register.

| Bit number       | 31 30 29 28 27 26 25 24 23 22 21 20 19 18 17 16 15 14 13 12 11 10 9 8 7 6 5 4 3 2 1 0 |          |       |   |  |  |  |  |  |  |  |  |  |  |  |  |  |  |  |  |  |  |  |  |  |  |  |  |  |  |  |  |
|------------------|---|----------|-------|---|--|--|--|--|--|--|--|--|--|--|--|--|--|--|--|--|--|--|--|--|--|--|--|--|--|--|--|--|
| ID               | f e d c b a z y x w v u t s r q p o n m l k j i h g f e d c b a                       |          |       |   |  |  |  |  |  |  |  |  |  |  |  |  |  |  |  |  |  |  |  |  |  |  |  |  |  |  |  |  |
| Reset 0x00000000 | 0                   |          |       |   |  |  |  |  |  |  |  |  |  |  |  |  |  |  |  |  |  |  |  |  |  |  |  |  |  |  |  |  |
| ID               | Acce Field  | Value ID | Value | Description   |  |  |  |  |  |  |  |  |  |  |  |  |  |  |  |  |  |  |  |  |  |  |  |  |  |  |  |  |
| A-T              | RW CH[i] (i=0..19)  |          |       | Channel i enable clear register. Writing '0' has no effect. |  |  |  |  |  |  |  |  |  |  |  |  |  |  |  |  |  |  |  |  |  |  |  |  |  |  |  |  |
|                  |   | Disabled | 0     | Read: channel disabled                                      |  |  |  |  |  |  |  |  |  |  |  |  |  |  |  |  |  |  |  |  |  |  |  |  |  |  |  |  |
|                  |   | Enabled  | 1     | Read: channel enabled                                       |  |  |  |  |  |  |  |  |  |  |  |  |  |  |  |  |  |  |  |  |  |  |  |  |  |  |  |  |
|                  |   | Clear    | 1     | Write: disable channel                                      |  |  |  |  |  |  |  |  |  |  |  |  |  |  |  |  |  |  |  |  |  |  |  |  |  |  |  |  |
| U-f              | RW CH[i] (i=20..31)   |          |       | Channel i enable clear register. Writing '0' has no effect. |  |  |  |  |  |  |  |  |  |  |  |  |  |  |  |  |  |  |  |  |  |  |  |  |  |  |  |  |
|                  |   | Disabled | 0     | Read: channel disabled                                      |  |  |  |  |  |  |  |  |  |  |  |  |  |  |  |  |  |  |  |  |  |  |  |  |  |  |  |  |
|                  |   | Enabled  | 1     | Read: channel enabled                                       |  |  |  |  |  |  |  |  |  |  |  |  |  |  |  |  |  |  |  |  |  |  |  |  |  |  |  |  |
|                  |   | Clear    | 1     | Write: disable channel                                      |  |  |  |  |  |  |  |  |  |  |  |  |  |  |  |  |  |  |  |  |  |  |  |  |  |  |  |  |

### 6.16.2.6 CH[n].EEP (n=0..19)

Address offset:  $0x510 + (n \times 0x8)$

Channel n event endpoint

| Bit number       | 31 30 29 28 27 26 25 24 23 22 21 20 19 18 17 16 15 14 13 12 11 10 9 8 7 6 5 4 3 2 1 0 |          |       |  |  |  |  |  |  |  |  |  |  |  |  |  |  |  |  |  |  |  |  |  |  |  |  |  |  |  |  |  |
|------------------|---|----------|-------|--|--|--|--|--|--|--|--|--|--|--|--|--|--|--|--|--|--|--|--|--|--|--|--|--|--|--|--|--|
| ID               | A                   |          |       |  |  |  |  |  |  |  |  |  |  |  |  |  |  |  |  |  |  |  |  |  |  |  |  |  |  |  |  |  |
| Reset 0x00000000 | 0                       |          |       |  |  |  |  |  |  |  |  |  |  |  |  |  |  |  |  |  |  |  |  |  |  |  |  |  |  |  |  |  |
| ID               | Acce Field  | Value ID | Value | Description  |  |  |  |  |  |  |  |  |  |  |  |  |  |  |  |  |  |  |  |  |  |  |  |  |  |  |  |  |
| A                | RW EEP  |          |       | Pointer to event register. Accepts only addresses to registers from the Event group. |  |  |  |  |  |  |  |  |  |  |  |  |  |  |  |  |  |  |  |  |  |  |  |  |  |  |  |  |

### 6.16.2.7 CH[n].TEP (n=0..19)

Address offset:  $0x514 + (n \times 0x8)$

Channel n task endpoint

| Bit number       | 31 30 29 28 27 26 25 24 23 22 21 20 19 18 17 16 15 14 13 12 11 10 9 8 7 6 5 4 3 2 1 0 |          |       |  |  |  |  |  |  |  |  |  |  |  |  |  |  |  |  |  |  |  |  |  |  |  |  |  |  |  |  |  |
|------------------|---|----------|-------|--|--|--|--|--|--|--|--|--|--|--|--|--|--|--|--|--|--|--|--|--|--|--|--|--|--|--|--|--|
| ID               | A                   |          |       |  |  |  |  |  |  |  |  |  |  |  |  |  |  |  |  |  |  |  |  |  |  |  |  |  |  |  |  |  |
| Reset 0x00000000 | 0                       |          |       |  |  |  |  |  |  |  |  |  |  |  |  |  |  |  |  |  |  |  |  |  |  |  |  |  |  |  |  |  |
| ID               | Acce Field  | Value ID | Value | Description  |  |  |  |  |  |  |  |  |  |  |  |  |  |  |  |  |  |  |  |  |  |  |  |  |  |  |  |  |
| A                | RW TEP  |          |       | Pointer to task register. Accepts only addresses to registers from the Task group. |  |  |  |  |  |  |  |  |  |  |  |  |  |  |  |  |  |  |  |  |  |  |  |  |  |  |  |  |

### 6.16.2.8 CHG[n] (n=0..5)

Address offset:  $0x800 + (n \times 0x4)$

Channel group n

| Bit number       | 31 30 29 28 27 26 25 24 23 22 21 20 19 18 17 16 15 14 13 12 11 10 9 8 7 6 5 4 3 2 1 0 |          |       |                              |  |  |  |  |  |  |  |  |  |  |  |  |  |  |  |  |  |  |  |  |  |  |  |  |  |  |  |  |
|------------------|---|----------|-------|------------------------------|--|--|--|--|--|--|--|--|--|--|--|--|--|--|--|--|--|--|--|--|--|--|--|--|--|--|--|--|
| ID               | f e d c b a Z Y X W V U T S R Q P O N M L K J I H G F E D C B A                       |          |       |                              |  |  |  |  |  |  |  |  |  |  |  |  |  |  |  |  |  |  |  |  |  |  |  |  |  |  |  |  |
| Reset 0x00000000 | 0   |          |       |                              |  |  |  |  |  |  |  |  |  |  |  |  |  |  |  |  |  |  |  |  |  |  |  |  |  |  |  |  |
| ID               | Acce Field  | Value ID | Value | Description                  |  |  |  |  |  |  |  |  |  |  |  |  |  |  |  |  |  |  |  |  |  |  |  |  |  |  |  |  |
| A-T              | RW CH[i] (i=0..19)  |          |       | Include or exclude channel i |  |  |  |  |  |  |  |  |  |  |  |  |  |  |  |  |  |  |  |  |  |  |  |  |  |  |  |  |
|                  |   | Excluded | 0     | Exclude                      |  |  |  |  |  |  |  |  |  |  |  |  |  |  |  |  |  |  |  |  |  |  |  |  |  |  |  |  |
|                  |   | Included | 1     | Include                      |  |  |  |  |  |  |  |  |  |  |  |  |  |  |  |  |  |  |  |  |  |  |  |  |  |  |  |  |
| U-f              | RW CH[i] (i=20..31)   |          |       | Include or exclude channel i |  |  |  |  |  |  |  |  |  |  |  |  |  |  |  |  |  |  |  |  |  |  |  |  |  |  |  |  |
|                  |   | Excluded | 0     | Exclude                      |  |  |  |  |  |  |  |  |  |  |  |  |  |  |  |  |  |  |  |  |  |  |  |  |  |  |  |  |
|                  |   | Included | 1     | Include                      |  |  |  |  |  |  |  |  |  |  |  |  |  |  |  |  |  |  |  |  |  |  |  |  |  |  |  |  |

### 6.16.2.9 FORK[n].TEP (n=0..19, 20..31)

Address offset:  $0x910 + (n \times 0x4)$

Channel n task endpoint

| Bit number       | 31 30 29 28 27 26 25 24 23 22 21 20 19 18 17 16 15 14 13 12 11 10 9 8 7 6 5 4 3 2 1 0 |          |       |                          |  |  |  |  |  |  |  |  |  |  |  |  |  |  |  |  |  |  |  |  |  |  |  |  |  |  |  |  |
|------------------|---|----------|-------|--------------------------|--|--|--|--|--|--|--|--|--|--|--|--|--|--|--|--|--|--|--|--|--|--|--|--|--|--|--|--|
| ID               | A                   |          |       |                          |  |  |  |  |  |  |  |  |  |  |  |  |  |  |  |  |  |  |  |  |  |  |  |  |  |  |  |  |
| Reset 0x00000000 | 0   |          |       |                          |  |  |  |  |  |  |  |  |  |  |  |  |  |  |  |  |  |  |  |  |  |  |  |  |  |  |  |  |
| ID               | Acce Field  | Value ID | Value | Description              |  |  |  |  |  |  |  |  |  |  |  |  |  |  |  |  |  |  |  |  |  |  |  |  |  |  |  |  |
| A                | RW TEP  |          |       | Pointer to task register |  |  |  |  |  |  |  |  |  |  |  |  |  |  |  |  |  |  |  |  |  |  |  |  |  |  |  |  |

## 6.17 PWM — Pulse width modulation

The pulse with modulation (PWM) module enables the generation of pulse width modulated signals on GPIO. The module implements an up or up-and-down counter with four PWM channels that drive assigned GPIOs.

The following are the main features of a PWM module:

- Programmable PWM frequency
- Up to four PWM channels with individual polarity and duty cycle values
- Edge or center-aligned pulses across PWM channels
- Multiple duty cycle arrays (sequences) defined in RAM
- Autonomous and glitch-free update of duty cycle values directly from memory through EasyDMA (no CPU involvement)
- Change of polarity, duty cycle, and base frequency possibly on every PWM period
- RAM sequences can be repeated or connected into loops

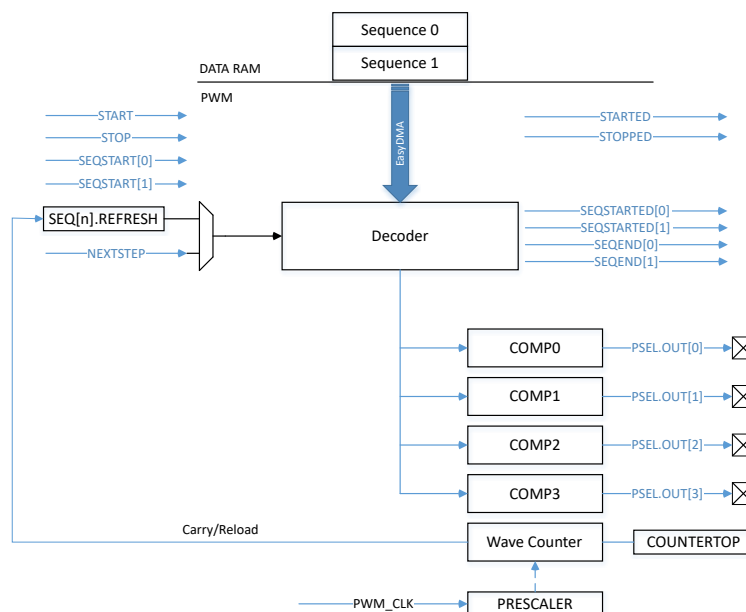


Figure 76: PWM module

### 6.17.1 Wave counter

The wave counter is responsible for generating the pulses at a duty cycle that depends on the compare values, and at a frequency that depends on COUNTERTOP.

There is one common 15-bit counter with four compare channels. Thus, all four channels will share the same period (PWM frequency), but can have individual duty cycle and polarity. The polarity is set by a value read from RAM (see figure [Decoder memory access modes](#) on page 258). Whether the counter counts up, or up and down, is controlled by the MODE register.

The timer top value is controlled by the COUNTERTOP register. This register value, in conjunction with the selected PRESCALER of the PWM\_CLK, will result in a given PWM period. A COUNTERTOP value smaller than the compare setting will result in a state where no PWM edges are generated. OUT[n] is held high, given that the polarity is set to FallingEdge. All compare registers are internal and can only be configured through decoder presented later. COUNTERTOP can be safely written at any time.

Sampling follows the START task. If DECODER.LOAD=WaveForm, the register value is ignored and taken from RAM instead (see section [Decoder with EasyDMA](#) on page 258 for more details). If DECODER.LOAD is anything else than the WaveForm, it is sampled following a STARTSEQ[n] task and when loading a new value from RAM during a sequence playback.

The following figure shows the counter operating in up mode (MODE=PWM\_MODE\_Up), with three PWM channels with the same frequency but different duty cycle:

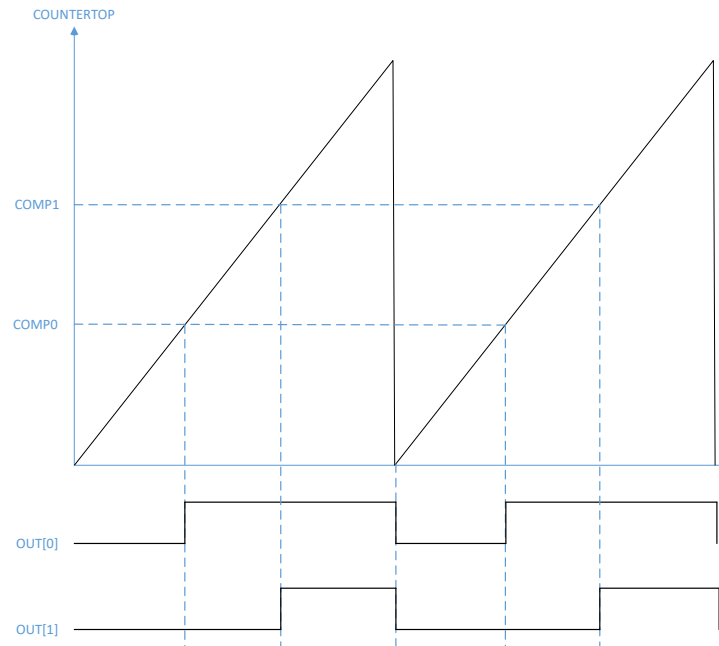


Figure 77: PWM counter in up mode example - FallingEdge polarity

The counter is automatically reset to zero when COUNTERTOP is reached and OUT[n] will invert. OUT[n] is held low if the compare value is 0 and held high if set to COUNTERTOP, given that the polarity is set to FallingEdge. Counter running in up mode results in pulse widths that are edge-aligned. The following is the code for the counter in up mode example:

```
uint16_t pwm_seq[4] = {PWM_CH0_DUTY, PWM_CH1_DUTY, PWM_CH2_DUTY, PWM_CH3_DUTY};
NRF_PWM0->PSEL.OUT[0] = (first_pin << PWM_PSEL_OUT_PIN_Pos) |
    (PWM_PSEL_OUT_CONNECT_Connected <<
        PWM_PSEL_OUT_CONNECT_Pos);
NRF_PWM0->PSEL.OUT[1] = (second_pin << PWM_PSEL_OUT_PIN_Pos) |
    (PWM_PSEL_OUT_CONNECT_Connected <<
        PWM_PSEL_OUT_CONNECT_Pos);
NRF_PWM0->ENABLE = (PWM_ENABLE_ENABLE_Enabled << PWM_ENABLE_ENABLE_Pos);
NRF_PWM0->MODE = (PWM_MODE_UPDOWN_Up << PWM_MODE_UPDOWN_Pos);
NRF_PWM0->PRESCALER = (PWM_PRESCALER_PRESCALER_DIV_1 <<
    PWM_PRESCALER_PRESCALER_Pos);
NRF_PWM0->COUNTERTOP = (16000 << PWM_COUNTERTOP_COUNTERTOP_Pos); //1 msec
NRF_PWM0->LOOP = (PWM_LOOP_CNT_Disabled << PWM_LOOP_CNT_Pos);
NRF_PWM0->DECODER = (PWM_DECODER_LOAD_Individual << PWM_DECODER_LOAD_Pos) |
    (PWM_DECODER_MODE_RefreshCount << PWM_DECODER_MODE_Pos);
NRF_PWM0->SEQ[0].PTR = ((uint32_t) (pwm_seq) << PWM_SEQ_PTR_PTR_Pos);
NRF_PWM0->SEQ[0].CNT = ((sizeof(pwm_seq) / sizeof(uint16_t)) <<
    PWM_SEQ_CNT_CNT_Pos);

NRF_PWM0->SEQ[0].REFRESH = 0;
NRF_PWM0->SEQ[0].ENDDelay = 0;
NRF_PWM0->TASKS_SEQSTART[0] = 1;
```

When the counter is running in up mode, the following formula can be used to compute the PWM period and the step size:

$$\text{PWM period: } T_{\text{PWM(Up)}} = T_{\text{PWM\_CLK}} * \text{COUNTERTOP}$$

Step width/Resolution:  $T_{steps} = T_{PWM\_CLK}$

The following figure shows the counter operating in up-and-down mode (MODE=PWM\_MODE\_UpAndDown), with two PWM channels with the same frequency but different duty cycle and output polarity:

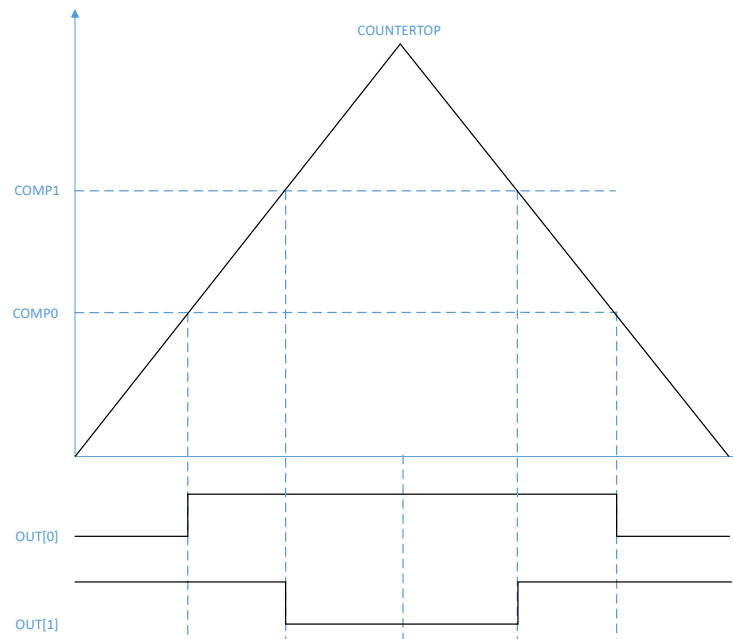


Figure 78: PWM counter in up-and-down mode example

The counter starts decrementing to zero when COUNTERTOP is reached and will invert the OUT[n] when compare value is hit for the second time. This results in a set of pulses that are center-aligned. The following is the code for the counter in up-and-down mode example:

```
uint16_t pwm_seq[4] = {PWM_CH0_DUTY, PWM_CH1_DUTY, PWM_CH2_DUTY, PWM_CH3_DUTY};
NRF_PWM0->PSEL.OUT[0] = (first_pin << PWM_PSEL_OUT_PIN_Pos) |
    (PWM_PSEL_OUT_CONNECT_Connected <<
        PWM_PSEL_OUT_CONNECT_Pos);
NRF_PWM0->PSEL.OUT[1] = (second_pin << PWM_PSEL_OUT_PIN_Pos) |
    (PWM_PSEL_OUT_CONNECT_Connected <<
        PWM_PSEL_OUT_CONNECT_Pos);
NRF_PWM0->ENABLE = (PWM_ENABLE_ENABLE_Enabled << PWM_ENABLE_ENABLE_Pos);
NRF_PWM0->MODE = (PWM_MODE_UPDOWN_UpAndDown << PWM_MODE_UPDOWN_Pos);
NRF_PWM0->PRESCALER = (PWM_PRESCALER_PRESCALER_DIV_1 <<
    PWM_PRESCALER_PRESCALER_Pos);
NRF_PWM0->COUNTERTOP = (16000 << PWM_COUNTERTOP_COUNTERTOP_Pos); //1 msec
NRF_PWM0->LOOP = (PWM_LOOP_CNT_Disabled << PWM_LOOP_CNT_Pos);
NRF_PWM0->DECODER = (PWM_DECODER_LOAD_Individual << PWM_DECODER_LOAD_Pos) |
    (PWM_DECODER_MODE_RefreshCount << PWM_DECODER_MODE_Pos);
NRF_PWM0->SEQ[0].PTR = ((uint32_t)(pwm_seq) << PWM_SEQ_PTR_PTR_Pos);
NRF_PWM0->SEQ[0].CNT = ((sizeof(pwm_seq) / sizeof(uint16_t)) <<
    PWM_SEQ_CNT_CNT_Pos);
NRF_PWM0->SEQ[0].REFRESH = 0;
NRF_PWM0->SEQ[0].ENDDelay = 0;
NRF_PWM0->TASKS_SEQSTART[0] = 1;
```

When the counter is running in up-and-down mode, the following formula can be used to compute the PWM period and the step size:

$$T_{\text{PWM(Up And Down)}} = T_{\text{PWM\_CLK}} * 2 * \text{COUNTERTOP}$$

$$\text{Step width/Resolution: } T_{\text{steps}} = T_{\text{PWM\_CLK}} * 2$$

## 6.17.2 Decoder with EasyDMA

The decoder uses EasyDMA to take PWM parameters stored in RAM and update the internal compare registers of the wave counter, based on the mode of operation.

PWM parameters are organized into a sequence containing at least one half word (16 bit). Its most significant bit[15] denotes the polarity of the OUT[n] while bit[14:0] is the 15-bit compare value.

| Bit number       | 31 | 30       | 29          | 28 | 27    | 26   | 25 | 24 | 23 | 22 | 21 | 20 | 19 | 18 | 17 | 16 | 15 | 14 | 13 | 12 | 11 | 10 | 9 | 8 | 7 | 6 | 5 | 4 | 3 | 2 | 1 | 0 |   |   |   |   |   |   |   |   |   |   |   |   |   |   |   |
|------------------|----|----------|-------------|----|-------|--|----|----|----|----|----|----|----|----|----|----|----|----|----|----|----|----|---|---|---|---|---|---|---|---|---|---|---|---|---|---|---|---|---|---|---|---|---|---|---|---|---|
| Id               |    |          |             |    |       |  |    |    |    |    |    |    |    |    |    | B  | A  | A  | A  | A  | A  | A  | A | A | A | A | A | A | A | A | A | A | A | A | A | A | A | A | A | A | A | A | A | A | A | A | A |
| Reset 0x00000000 | 0  | 0        | 0           | 0  | 0     | 0  | 0  | 0  | 0  | 0  | 0  | 0  | 0  | 0  | 0  | 0  | 0  | 0  | 0  | 0  | 0  | 0  | 0 | 0 | 0 | 0 | 0 | 0 | 0 | 0 | 0 | 0 | 0 | 0 | 0 |   |   |   |   |   |   |   |   |   |   |   |   |
| Id               | RW | Field    | Value       | Id | Value | Description  |    |    |    |    |    |    |    |    |    |    |    |    |    |    |    |    |   |   |   |   |   |   |   |   |   |   |   |   |   |   |   |   |   |   |   |   |   |   |   |   |   |
| A                | RW | COMPARE  |             |    |       | Duty cycle setting - value loaded to internal compare register |    |    |    |    |    |    |    |    |    |    |    |    |    |    |    |    |   |   |   |   |   |   |   |   |   |   |   |   |   |   |   |   |   |   |   |   |   |   |   |   |   |
| B                | RW | POLARITY |             |    |       | Edge polarity of GPIO.   |    |    |    |    |    |    |    |    |    |    |    |    |    |    |    |    |   |   |   |   |   |   |   |   |   |   |   |   |   |   |   |   |   |   |   |   |   |   |   |   |   |
|                  |    |          | RisingEdge  | 0  |       | First edge within the PWM period is rising                     |    |    |    |    |    |    |    |    |    |    |    |    |    |    |    |    |   |   |   |   |   |   |   |   |   |   |   |   |   |   |   |   |   |   |   |   |   |   |   |   |   |
|                  |    |          | FallingEdge | 1  |       | First edge within the PWM period is falling                    |    |    |    |    |    |    |    |    |    |    |    |    |    |    |    |    |   |   |   |   |   |   |   |   |   |   |   |   |   |   |   |   |   |   |   |   |   |   |   |   |   |

The DECODER register controls how the RAM content is interpreted and loaded into the internal compare registers. The LOAD field controls if the RAM values are loaded to all compare channels, or to update a group or all channels with individual values. The following figure illustrates how parameters stored in RAM are organized and routed to various compare channels in different modes:

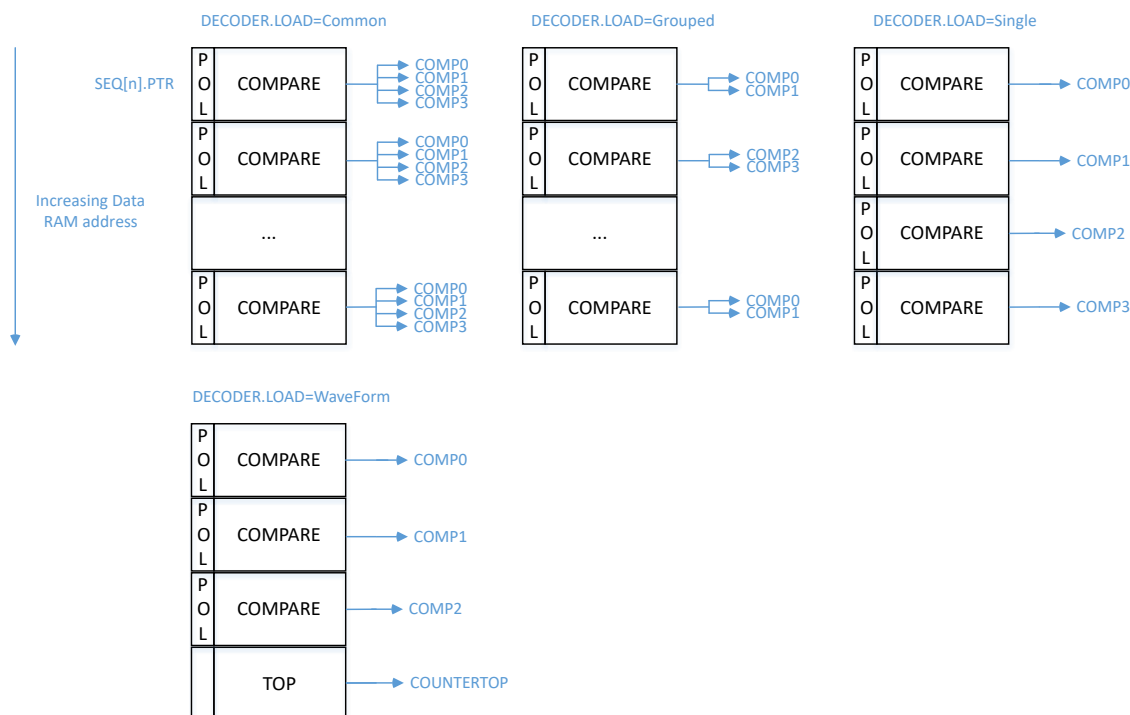


Figure 79: Decoder memory access modes

A special mode of operation is available when DECODER.LOAD is set to WaveForm. In this mode, up to three PWM channels can be enabled - OUT[0] to OUT[2]. In RAM, four values are loaded at a time: the first, second and third location are used to load the values, and the fourth RAM location is used to load

the COUNTERTOP register. This way one can have up to three PWM channels with a frequency base that changes on a per PWM period basis. This mode of operation is useful for arbitrary wave form generation in applications, such as LED lighting.

The register SEQ[n].REFRESH=N (one per sequence n=0 or 1) will instruct a new RAM stored pulse width value on every (N+1)<sup>th</sup> PWM period. Setting the register to zero will result in a new duty cycle update every PWM period, as long as the minimum PWM period is observed.

Note that registers SEQ[n].REFRESH and SEQ[n].ENDDelay are ignored when DECODER.MODE=NextStep. The next value is loaded upon every received NEXTSTEP task.

SEQ[n].PTR is the pointer used to fetch COMPARE values from RAM. If the SEQ[n].PTR is not pointing to a RAM region, an EasyDMA transfer may result in a HardFault or RAM corruption. See [Memory](#) on page 20 for more information about the different memory regions. After the SEQ[n].PTR is set to the desired RAM location, the SEQ[n].CNT register must be set to number of 16-bit half words in the sequence. It is important to observe that the Grouped mode requires one half word per group, while the Single mode requires one half word per channel, thus increasing the RAM size occupation. If PWM generation is not running when the SEQSTART[n] task is triggered, the task will load the first value from RAM and then start the PWM generation. A SEQSTARTED[n] event is generated as soon as the EasyDMA has read the first PWM parameter from RAM and the wave counter has started executing it. When LOOP.CNT=0, sequence n=0 or 1 is played back once. After the last value in the sequence has been loaded and started executing, a SEQEND[n] event is generated. The PWM generation will then continue with the last loaded value. The following figure illustrates an example of such simple playback:

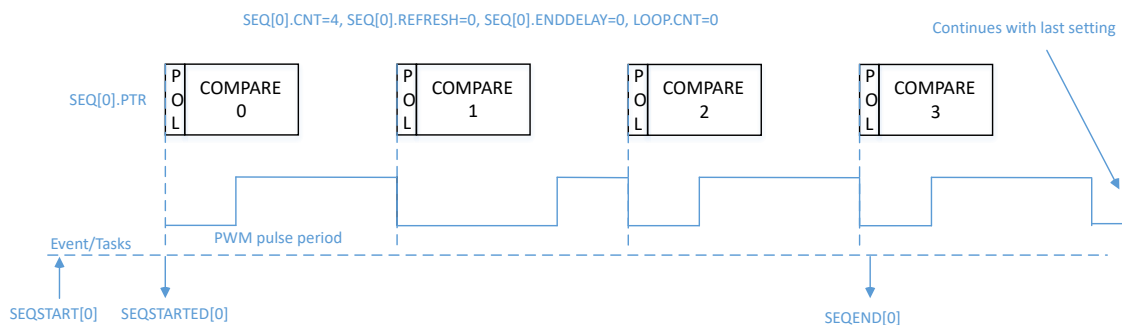


Figure 80: Simple sequence example

Figure depicts the source code used for configuration and timing details in a sequence where only sequence 0 is used and only run once with a new PWM duty cycle for each period.

```

NRF_PWM0->PSEL.OUT[0] = (first_pin << PWM_PSEL_OUT_PIN_Pos) |
                        (PWM_PSEL_OUT_CONNECT_Connected <<
                         PWM_PSEL_OUT_CONNECT_Pos);
NRF_PWM0->ENABLE      = (PWM_ENABLE_ENABLE_Enabled << PWM_ENABLE_ENABLE_Pos);
NRF_PWM0->MODE        = (PWM_MODE_UPDOWN_Up << PWM_MODE_UPDOWN_Pos);
NRF_PWM0->PRESCALER   = (PWM_PRESCALER_PRESCALER_DIV_1 <<
                         PWM_PRESCALER_PRESCALER_Pos);
NRF_PWM0->COUNTERTOP  = (16000 << PWM_COUNTERTOP_COUNTERTOP_Pos); //1 msec
NRF_PWM0->LOOP        = (PWM_LOOP_CNT_Disabled << PWM_LOOP_CNT_Pos);
NRF_PWM0->DECODER     = (PWM_DECODER_LOAD_Common << PWM_DECODER_LOAD_Pos) |
                        (PWM_DECODER_MODE_RefreshCount << PWM_DECODER_MODE_Pos);
NRF_PWM0->SEQ[0].PTR  = ((uint32_t)(seq0_ram) << PWM_SEQ_PTR_PTR_Pos);
NRF_PWM0->SEQ[0].CNT  = ((sizeof(seq0_ram) / sizeof(uint16_t)) <<
                         PWM_SEQ_CNT_CNT_Pos);
NRF_PWM0->SEQ[0].REFRESH = 0;
NRF_PWM0->SEQ[0].ENDDelay = 0;
NRF_PWM0->TASKS_SEQSTART[0] = 1;

```

To completely stop the PWM generation and force the associated pins to a defined state, a STOP task can be triggered at any time. A STOPPED event is generated when the PWM generation has stopped at the end of currently running PWM period, and the pins go into their idle state as defined in GPIO OUT register. PWM generation can then only be restarted through a SEQSTART[n] task. SEQSTART[n] will resume PWM generation after having loaded the first value from the RAM buffer defined in the SEQ[n].PTR register.

The table below indicates when specific registers get sampled by the hardware. Care should be taken when updating these registers to avoid that values are applied earlier than expected.



| Register        | Taken into account by hardware   | Recommended (safe) update  |
|-----------------|--|--|
| SEQ[n].PTR      | When sending the SEQSTART[n] task  | After having received the SEQSTARTED[n] event  |
| SEQ[n].CNT      | When sending the SEQSTART[n] task  | After having received the SEQSTARTED[n] event  |
| SEQ[0].ENDDelay | When sending the SEQSTART[0] task  | Before starting sequence [0] through a SEQSTART[0] task  |
|                 | Every time a new value from sequence [0] has been loaded from RAM and gets applied to the Wave Counter (indicated by the PWMPERIODEND event) | When no more value from sequence [0] gets loaded from RAM (indicated by the SEQEND[0] event)<br><br>At any time during sequence [1] (which starts when the SEQSTARTED[1] event is generated) |
| SEQ[1].ENDDelay | When sending the SEQSTART[1] task  | Before starting sequence [1] through a SEQSTART[1] task  |
|                 | Every time a new value from sequence [1] has been loaded from RAM and gets applied to the Wave Counter (indicated by the PWMPERIODEND event) | When no more value from sequence [1] gets loaded from RAM (indicated by the SEQEND[1] event)<br><br>At any time during sequence [0] (which starts when the SEQSTARTED[0] event is generated) |
| SEQ[0].REFRESH  | When sending the SEQSTART[0] task  | Before starting sequence [0] through a SEQSTART[0] task  |
|                 | Every time a new value from sequence [0] has been loaded from RAM and gets applied to the Wave Counter (indicated by the PWMPERIODEND event) | At any time during sequence [1] (which starts when the SEQSTARTED[1] event is generated)   |
| SEQ[1].REFRESH  | When sending the SEQSTART[1] task  | Before starting sequence [1] through a SEQSTART[1] task  |
|                 | Every time a new value from sequence [1] has been loaded from RAM and gets applied to the Wave Counter (indicated by the PWMPERIODEND event) | At any time during sequence [0] (which starts when the SEQSTARTED[0] event is generated)   |
| COUNTERTOP      | In DECODER.LOAD=WaveForm: this register is ignored.  | Before starting PWM generation through a SEQSTART[n] task  |
|                 | In all other LOAD modes: at the end of current PWM period (indicated by the PWMPERIODEND event)  | After a STOP task has been triggered, and the STOPPED event has been received.   |
| MODE            | Immediately  | Before starting PWM generation through a SEQSTART[n] task  |
|                 |  | After a STOP task has been triggered, and the STOPPED event has been received.   |
| DECODER         | Immediately  | Before starting PWM generation through a SEQSTART[n] task<br><br>After a STOP task has been triggered, and the STOPPED event has been received.  |
| PRESCALER       | Immediately  | Before starting PWM generation through a SEQSTART[n] task  |
|                 |  | After a STOP task has been triggered, and the STOPPED event has been received.   |
| LOOP            | Immediately  | Before starting PWM generation through a SEQSTART[n] task  |
|                 |  | After a STOP task has been triggered, and the STOPPED event has been received.   |
| PSEL.OUT[n]     | Immediately  | Before enabling the PWM instance through the ENABLE register   |

Table 75: When to safely update PWM registers

**Note:** SEQ[n].REFRESH and SEQ[n].ENDDelay are ignored at the end of a complex sequence, indicated by a LOOPSDONE event. The reason for this is that the last value loaded from RAM is maintained until further action from software (restarting a new sequence, or stopping PWM generation).

A more complex example, where LOOP.CNT>0, is shown in the following figure:

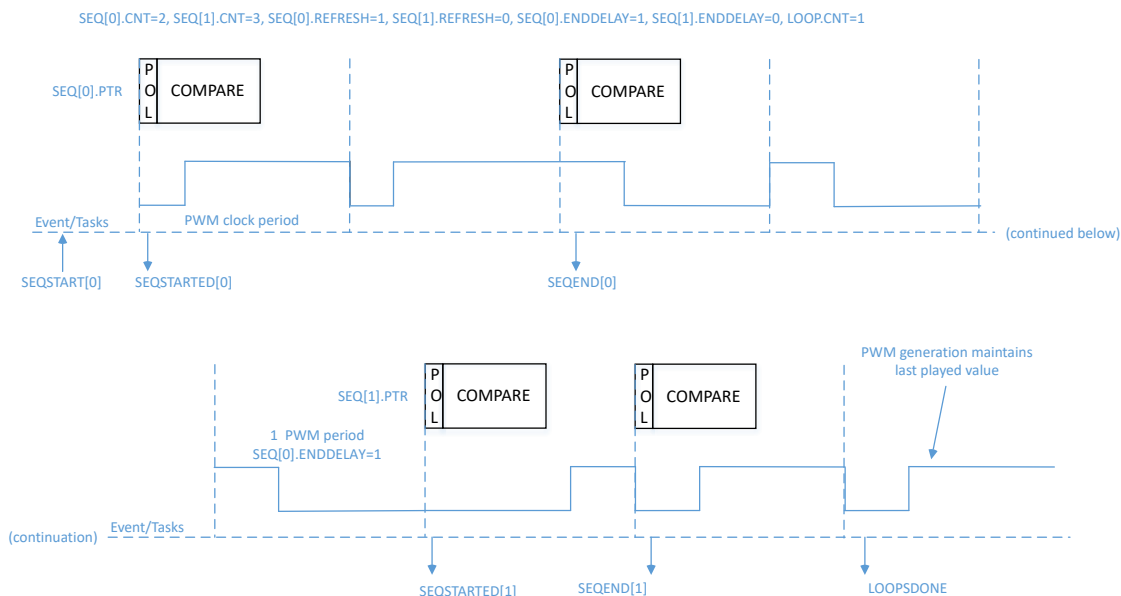


Figure 81: Example using two sequences

In this case, an automated playback takes place, consisting of SEQ[0], delay 0, SEQ[1], delay 1, then again SEQ[0], etc. The user can choose to start a complex playback with SEQ[0] or SEQ[1] through sending the SEQSTART[0] or SEQSTART[1] task. The complex playback always ends with delay 1.

The two sequences 0 and 1 are defined by the addresses of value tables in RAM (pointed to by SEQ[n].PTR) and the buffer size (SEQ[n].CNT). The rate at which a new value is loaded is defined individually for each sequence by SEQ[n].REFRESH. The chaining of sequence 1 following the sequence 0 is implicit, the LOOP.CNT register allows the chaining of sequence 1 to sequence 0 for a determined number of times. In other words, it allows to repeat a complex sequence a number of times in a fully automated way.

In the following code example, sequence 0 is defined with SEQ[0].REFRESH set to 1, meaning that a new PWM duty cycle is pushed every second PWM period. This complex sequence is started with the SEQSTART[0] task, so SEQ[0] is played first. Since SEQ[0].ENDDDELAY=1 there will be one PWM period delay between last period on sequence 0 and the first period on sequence 1. Since SEQ[1].ENDDDELAY=0 there is no delay 1, so SEQ[0] would be started immediately after the end of SEQ[1]. However, as LOOP.CNT is

1, the playback stops after having played SEQ[1] only once, and both SEQEND[1] and LOOPSDONE are generated (their order is not guaranteed in this case).

```

NRF_PWM0->PSEL.OUT[0] = (first_pin << PWM_PSEL_OUT_PIN_Pos) |
                        (PWM_PSEL_OUT_CONNECT_Connected <<
                         PWM_PSEL_OUT_CONNECT_Pos);
NRF_PWM0->ENABLE      = (PWM_ENABLE_ENABLE_Enabled << PWM_ENABLE_ENABLE_Pos);
NRF_PWM0->MODE        = (PWM_MODE_UPDOWN_Up << PWM_MODE_UPDOWN_Pos);
NRF_PWM0->PRESCALER   = (PWM_PRESCALER_PRESCALER_DIV_1 <<
                         PWM_PRESCALER_PRESCALER_Pos);
NRF_PWM0->COUNTERTOP  = (16000 << PWM_COUNTERTOP_COUNTERTOP_Pos); //1 msec
NRF_PWM0->LOOP        = (1 << PWM_LOOP_CNT_Pos);
NRF_PWM0->DECODER     = (PWM_DECODER_LOAD_Common << PWM_DECODER_LOAD_Pos) |
                        (PWM_DECODER_MODE_RefreshCount << PWM_DECODER_MODE_Pos);
NRF_PWM0->SEQ[0].PTR  = ((uint32_t)(seq0_ram) << PWM_SEQ_PTR_PTR_Pos);
NRF_PWM0->SEQ[0].CNT  = ((sizeof(seq0_ram) / sizeof(uint16_t)) <<
                         PWM_SEQ_CNT_CNT_Pos);

NRF_PWM0->SEQ[0].REFRESH = 1;
NRF_PWM0->SEQ[0].ENDDELAY = 1;
NRF_PWM0->SEQ[1].PTR  = ((uint32_t)(seq1_ram) << PWM_SEQ_PTR_PTR_Pos);
NRF_PWM0->SEQ[1].CNT  = ((sizeof(seq1_ram) / sizeof(uint16_t)) <<
                         PWM_SEQ_CNT_CNT_Pos);

NRF_PWM0->SEQ[1].REFRESH = 0;
NRF_PWM0->SEQ[1].ENDDELAY = 0;
NRF_PWM0->TASKS_SEQSTART[0] = 1;

```

The decoder can also be configured to asynchronously load new PWM duty cycle. If the DECODER.MODE register is set to NextStep, then the NEXTSTEP task will cause an update of internal compare registers on the next PWM period.

The following figures provide an overview of each part of an arbitrary sequence, in various modes (LOOP.CNT=0 and LOOP.CNT>0). In particular, the following are represented:

- Initial and final duty cycle on the PWM output(s)
- Chaining of SEQ[0] and SEQ[1] if LOOP.CNT>0
- Influence of registers on the sequence
- Events generated during a sequence
- DMA activity (loading of next value and applying it to the output(s))

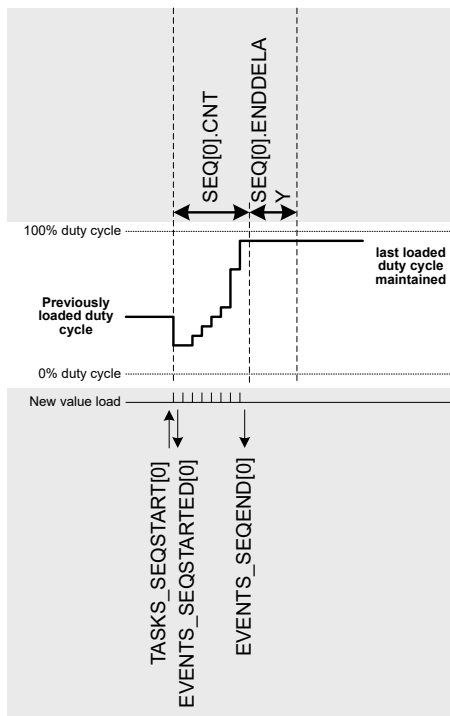


Figure 82: Single shot (LOOP.CNT=0)

**Note:** The single-shot example also applies to SEQ[1]. Only SEQ[0] is represented for simplicity.

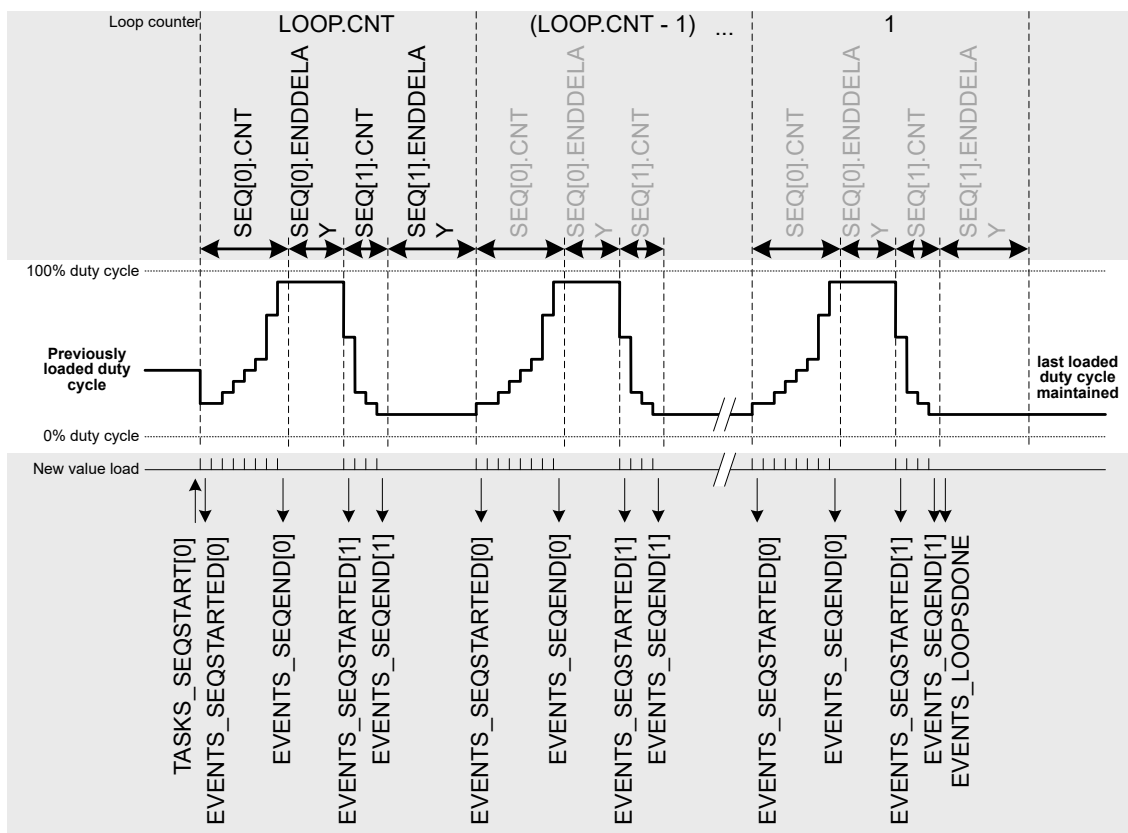


Figure 83: Complex sequence (LOOP.CNT>0) starting with SEQ[0]

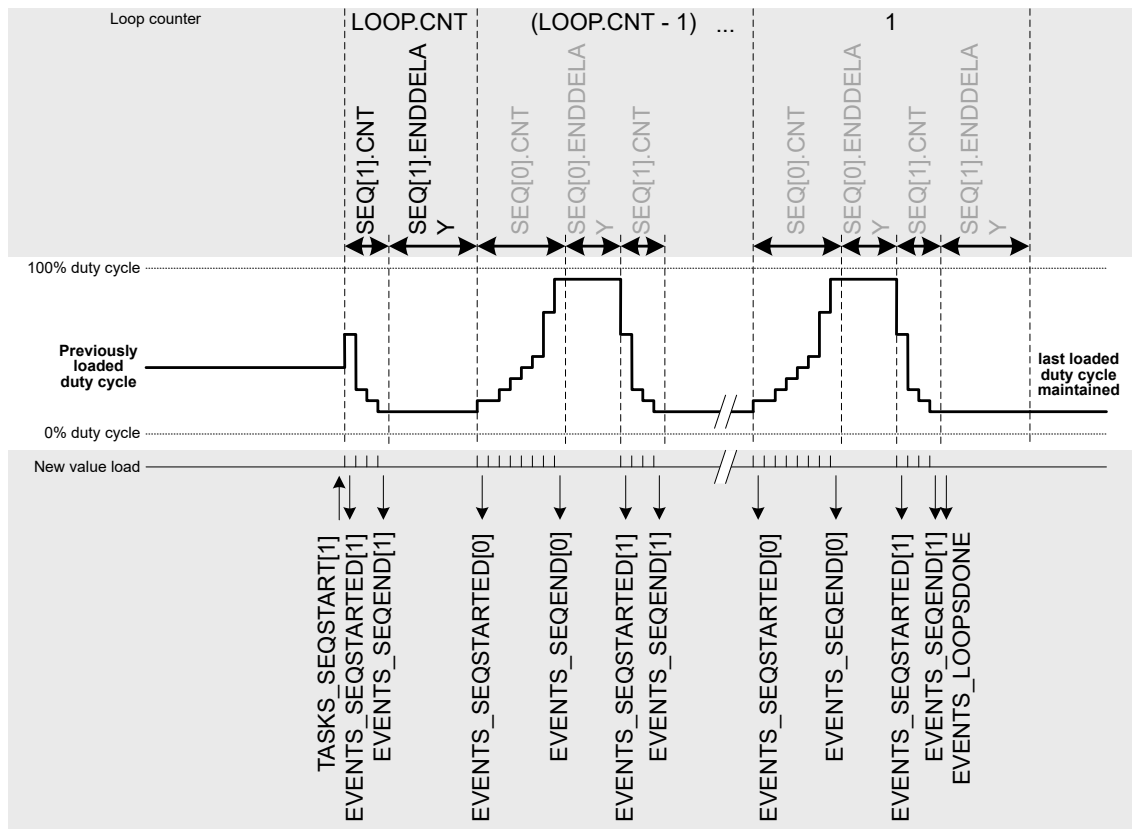


Figure 84: Complex sequence ( $LOOP.CNT > 0$ ) starting with  $SEQ[1]$

**Note:** If a sequence is in use in a simple or complex sequence, it must have a length of  $SEQ[n].CNT > 0$ .

### 6.17.3 Limitations

Previous compare value is repeated if the PWM period is shorter than the time it takes for the EasyDMA to retrieve from RAM and update the internal compare registers. This is to ensure a glitch-free operation even for very short PWM periods.

### 6.17.4 Pin configuration

The  $OUT[n]$  ( $n=0..3$ ) signals associated with each PWM channel are mapped to physical pins according to the configuration of  $PSEL.OUT[n]$  registers. If  $PSEL.OUT[n].CONNECT$  is set to Disconnected, the associated PWM module signal will not be connected to any physical pins.

The  $PSEL.OUT[n]$  registers and their configurations are used as long as the PWM module is enabled and the PWM generation active (wave counter started). They are retained only as long as the device is in System ON mode (see section [POWER](#) for more information about power modes).

To ensure correct behavior in the PWM module, the pins that are used must be configured in the GPIO peripheral in the following way before the PWM module is enabled:

| PWM signal | PWM pin                                       | Direction | Output value | Comment                                 |
|------------|---|-----------|--------------|---|
| $OUT[n]$   | As specified in $PSEL.OUT[n]$<br>( $n=0..3$ ) | Output    | 0            | Idle state defined in GPIO OUT register |

Table 76: Recommended GPIO configuration before starting PWM generation

The idle state of a pin is defined by the OUT register in the GPIO module, to ensure that the pins used by the PWM module are driven correctly. If PWM generation is stopped by triggering a STOP task, the PWM module itself is temporarily disabled or the device temporarily enters System OFF. This configuration must be retained in the GPIO for the selected pins (I/Os) for as long as the PWM module is supposed to be connected to an external PWM circuit.

Only one peripheral can be assigned to drive a particular GPIO pin at a time. Failing to do so may result in unpredictable behavior.

## 6.17.5 Registers

| Base address | Peripheral | Instance | Description                   | Configuration |
|--------------|------------|----------|-------------------------------|---------------|
| 0x4001C000   | PWM        | PWM0     | Pulse width modulation unit 0 |               |
| 0x40021000   | PWM        | PWM1     | Pulse width modulation unit 1 |               |
| 0x40022000   | PWM        | PWM2     | Pulse width modulation unit 2 |               |
| 0x4002D000   | PWM        | PWM3     | Pulse width modulation unit 3 |               |

Table 77: Instances

| Register             | Offset | Description  |
|----------------------|--------|--|
| TASKS_STOP           | 0x004  | Stops PWM pulse generation on all channels at the end of current PWM period, and stops sequence playback   |
| TASKS_SEQSTART[0]    | 0x008  | Loads the first PWM value on all enabled channels from sequence 0, and starts playing that sequence at the rate defined in SEQ[0]REFRESH and/or DECODER.MODE. Causes PWM generation to start if not running. |
| TASKS_SEQSTART[1]    | 0x00C  | Loads the first PWM value on all enabled channels from sequence 1, and starts playing that sequence at the rate defined in SEQ[1]REFRESH and/or DECODER.MODE. Causes PWM generation to start if not running. |
| TASKS_NEXTSTEP       | 0x010  | Steps by one value in the current sequence on all enabled channels if DECODER.MODE=NextStep. Does not cause PWM generation to start if not running.  |
| EVENTS_STOPPED       | 0x104  | Response to STOP task, emitted when PWM pulses are no longer generated   |
| EVENTS_SEQSTARTED[0] | 0x108  | First PWM period started on sequence 0   |
| EVENTS_SEQSTARTED[1] | 0x10C  | First PWM period started on sequence 1   |
| EVENTS_SEQEND[0]     | 0x110  | Emitted at end of every sequence 0, when last value from RAM has been applied to wave counter  |
| EVENTS_SEQEND[1]     | 0x114  | Emitted at end of every sequence 1, when last value from RAM has been applied to wave counter  |
| EVENTS_PWMPERIODEND  | 0x118  | Emitted at the end of each PWM period  |
| EVENTS_LOOPSDONE     | 0x11C  | Concatenated sequences have been played the amount of times defined in LOOP.CNT  |
| SHORTS               | 0x200  | Shortcuts between local events and tasks   |
| INTEN                | 0x300  | Enable or disable interrupt  |
| INTENSET             | 0x304  | Enable interrupt   |
| INTENCLR             | 0x308  | Disable interrupt  |
| ENABLE               | 0x500  | PWM module enable register   |
| MODE                 | 0x504  | Selects operating mode of the wave counter   |
| COUNTERTOP           | 0x508  | Value up to which the pulse generator counter counts   |
| PRESCALER            | 0x50C  | Configuration for PWM_CLK  |
| DECODER              | 0x510  | Configuration of the decoder   |
| LOOP                 | 0x514  | Number of playbacks of a loop  |
| SEQ[0].PTR           | 0x520  | Beginning address in RAM of this sequence  |
| SEQ[0].CNT           | 0x524  | Number of values (duty cycles) in this sequence  |
| SEQ[0].REFRESH       | 0x528  | Number of additional PWM periods between samples loaded into compare register  |
| SEQ[0].ENDELAY       | 0x52C  | Time added after the sequence  |
| SEQ[1].PTR           | 0x540  | Beginning address in RAM of this sequence  |

| Register         | Offset | Description   |
|------------------|--------|---|
| SEQ[1].CNT       | 0x544  | Number of values (duty cycles) in this sequence                               |
| SEQ[1].REFRESH   | 0x548  | Number of additional PWM periods between samples loaded into compare register |
| SEQ[1].ENDEDELAY | 0x54C  | Time added after the sequence   |
| PSEL.OUT[0]      | 0x560  | Output pin select for PWM channel 0   |
| PSEL.OUT[1]      | 0x564  | Output pin select for PWM channel 1   |
| PSEL.OUT[2]      | 0x568  | Output pin select for PWM channel 2   |
| PSEL.OUT[3]      | 0x56C  | Output pin select for PWM channel 3   |

Table 78: Register overview

### 6.17.5.1 TASKS\_STOP

Address offset: 0x004

Stops PWM pulse generation on all channels at the end of current PWM period, and stops sequence playback

| Bit number       | 31  | 30         | 29    | 28   | 27 | 26 | 25 | 24 | 23 | 22 | 21 | 20 | 19 | 18 | 17 | 16 | 15 | 14 | 13 | 12 | 11 | 10 | 9 | 8 | 7 | 6 | 5 | 4 | 3 | 2 | 1 | 0 |   |
|------------------|---|------------|-------|--|----|----|----|----|----|----|----|----|----|----|----|----|----|----|----|----|----|----|---|---|---|---|---|---|---|---|---|---|---|
| ID               |   |            |       |  |    |    |    |    |    |    |    |    |    |    |    |    |    |    |    |    |    |    |   |   |   |   |   |   |   |   |   |   | A |
| Reset 0x00000000 | 0 |            |       |  |    |    |    |    |    |    |    |    |    |    |    |    |    |    |    |    |    |    |   |   |   |   |   |   |   |   |   |   |   |
| ID               | Acce Field  | Value ID   | Value | Description  |    |    |    |    |    |    |    |    |    |    |    |    |    |    |    |    |    |    |   |   |   |   |   |   |   |   |   |   |   |
| A                | W   | TASKS_STOP |       | Stops PWM pulse generation on all channels at the end of current PWM period, and stops sequence playback |    |    |    |    |    |    |    |    |    |    |    |    |    |    |    |    |    |    |   |   |   |   |   |   |   |   |   |   |   |
|                  |   | Trigger    | 1     | Trigger task   |    |    |    |    |    |    |    |    |    |    |    |    |    |    |    |    |    |    |   |   |   |   |   |   |   |   |   |   |   |

### 6.17.5.2 TASKS\_SEQSTART[n] (n=0..1)

Address offset: 0x008 + (n × 0x4)

Loads the first PWM value on all enabled channels from sequence n, and starts playing that sequence at the rate defined in SEQ[n]REFRESH and/or DECODER.MODE. Causes PWM generation to start if not running.

| Bit number       | 31  | 30             | 29    | 28   | 27 | 26 | 25 | 24 | 23 | 22 | 21 | 20 | 19 | 18 | 17 | 16 | 15 | 14 | 13 | 12 | 11 | 10 | 9 | 8 | 7 | 6 | 5 | 4 | 3 | 2 | 1 | 0 |   |
|------------------|---|----------------|-------|--|----|----|----|----|----|----|----|----|----|----|----|----|----|----|----|----|----|----|---|---|---|---|---|---|---|---|---|---|---|
| ID               |   |                |       |  |    |    |    |    |    |    |    |    |    |    |    |    |    |    |    |    |    |    |   |   |   |   |   |   |   |   |   |   | A |
| Reset 0x00000000 | 0 |                |       |  |    |    |    |    |    |    |    |    |    |    |    |    |    |    |    |    |    |    |   |   |   |   |   |   |   |   |   |   |   |
| ID               | Acce Field  | Value ID       | Value | Description  |    |    |    |    |    |    |    |    |    |    |    |    |    |    |    |    |    |    |   |   |   |   |   |   |   |   |   |   |   |
| A                | W   | TASKS_SEQSTART |       | Loads the first PWM value on all enabled channels from sequence n, and starts playing that sequence at the rate defined in SEQ[n]REFRESH and/or DECODER.MODE. Causes PWM generation to start if not running. |    |    |    |    |    |    |    |    |    |    |    |    |    |    |    |    |    |    |   |   |   |   |   |   |   |   |   |   |   |
|                  |   | Trigger        | 1     | Trigger task   |    |    |    |    |    |    |    |    |    |    |    |    |    |    |    |    |    |    |   |   |   |   |   |   |   |   |   |   |   |

### 6.17.5.3 TASKS\_NEXTSTEP

Address offset: 0x010

Steps by one value in the current sequence on all enabled channels if DECODER.MODE=NextStep. Does not cause PWM generation to start if not running.

| Bit number | 31         | 30             | 29    | 28  | 27 | 26 | 25 | 24 | 23 | 22 | 21 | 20 | 19 | 18 | 17 | 16 | 15 | 14 | 13 | 12 | 11 | 10 | 9 | 8 | 7 | 6 | 5 | 4 | 3 | 2 | 1 | 0 |   |
|------------|------------|----------------|-------|---|----|----|----|----|----|----|----|----|----|----|----|----|----|----|----|----|----|----|---|---|---|---|---|---|---|---|---|---|---|
| ID         |            |                |       |   |    |    |    |    |    |    |    |    |    |    |    |    |    |    |    |    |    |    |   |   |   |   |   |   |   |   |   | A |   |
| Reset      | 0x00000000 |                |       |   |    |    |    |    |    |    |    |    |    |    |    |    |    |    |    |    |    |    |   |   |   |   |   |   |   |   |   |   |   |
| 0          | 0          | 0              | 0     | 0   | 0  | 0  | 0  | 0  | 0  | 0  | 0  | 0  | 0  | 0  | 0  | 0  | 0  | 0  | 0  | 0  | 0  | 0  | 0 | 0 | 0 | 0 | 0 | 0 | 0 | 0 | 0 | 0 | 0 |
| ID         | Acce Field | Value ID       | Value | Description   |    |    |    |    |    |    |    |    |    |    |    |    |    |    |    |    |    |    |   |   |   |   |   |   |   |   |   |   |   |
| A          | W          | TASKS_NEXTSTEP |       | Steps by one value in the current sequence on all enabled channels if DECODER.MODE=NextStep. Does not cause PWM generation to start if not running. |    |    |    |    |    |    |    |    |    |    |    |    |    |    |    |    |    |    |   |   |   |   |   |   |   |   |   |   |   |
|            |            | Trigger        | 1     | Trigger task  |    |    |    |    |    |    |    |    |    |    |    |    |    |    |    |    |    |    |   |   |   |   |   |   |   |   |   |   |   |

#### 6.17.5.4 EVENTS\_STOPPED

Address offset: 0x104

Response to STOP task, emitted when PWM pulses are no longer generated

| Bit number | 31         | 30             | 29    | 28   | 27 | 26 | 25 | 24 | 23 | 22 | 21 | 20 | 19 | 18 | 17 | 16 | 15 | 14 | 13 | 12 | 11 | 10 | 9 | 8 | 7 | 6 | 5 | 4 | 3 | 2 | 1 | 0 |
|------------|------------|----------------|-------|--|----|----|----|----|----|----|----|----|----|----|----|----|----|----|----|----|----|----|---|---|---|---|---|---|---|---|---|---|
| ID         |            |                |       |  |    |    |    |    |    |    |    |    |    |    |    |    |    |    |    |    |    |    |   |   |   |   |   |   |   |   |   | A |
| Reset      | 0x00000000 |                |       |  |    |    |    |    |    |    |    |    |    |    |    |    |    |    |    |    |    |    |   |   |   |   |   |   |   |   |   |   |
| 0          | 0          | 0              | 0     | 0  | 0  | 0  | 0  | 0  | 0  | 0  | 0  | 0  | 0  | 0  | 0  | 0  | 0  | 0  | 0  | 0  | 0  | 0  | 0 | 0 | 0 | 0 | 0 | 0 | 0 | 0 | 0 | 0 |
| ID         | Acce Field | Value ID       | Value | Description  |    |    |    |    |    |    |    |    |    |    |    |    |    |    |    |    |    |    |   |   |   |   |   |   |   |   |   |   |
| A          | RW         | EVENTS_STOPPED |       | Response to STOP task, emitted when PWM pulses are no longer generated |    |    |    |    |    |    |    |    |    |    |    |    |    |    |    |    |    |    |   |   |   |   |   |   |   |   |   |   |
|            |            | NotGenerated   | 0     | Event not generated  |    |    |    |    |    |    |    |    |    |    |    |    |    |    |    |    |    |    |   |   |   |   |   |   |   |   |   |   |
|            |            | Generated      | 1     | Event generated  |    |    |    |    |    |    |    |    |    |    |    |    |    |    |    |    |    |    |   |   |   |   |   |   |   |   |   |   |

#### 6.17.5.5 EVENTS\_SEQSTARTED[n] (n=0..1)

Address offset: 0x108 + (n × 0x4)

First PWM period started on sequence n

| Bit number | 31         | 30                | 29    | 28                                     | 27 | 26 | 25 | 24 | 23 | 22 | 21 | 20 | 19 | 18 | 17 | 16 | 15 | 14 | 13 | 12 | 11 | 10 | 9 | 8 | 7 | 6 | 5 | 4 | 3 | 2 | 1 | 0 |
|------------|------------|-------------------|-------|--|----|----|----|----|----|----|----|----|----|----|----|----|----|----|----|----|----|----|---|---|---|---|---|---|---|---|---|---|
| ID         |            |                   |       |  |    |    |    |    |    |    |    |    |    |    |    |    |    |    |    |    |    |    |   |   |   |   |   |   |   |   |   | A |
| Reset      | 0x00000000 |                   |       |  |    |    |    |    |    |    |    |    |    |    |    |    |    |    |    |    |    |    |   |   |   |   |   |   |   |   |   |   |
| 0          | 0          | 0                 | 0     | 0                                      | 0  | 0  | 0  | 0  | 0  | 0  | 0  | 0  | 0  | 0  | 0  | 0  | 0  | 0  | 0  | 0  | 0  | 0  | 0 | 0 | 0 | 0 | 0 | 0 | 0 | 0 | 0 | 0 |
| ID         | Acce Field | Value ID          | Value | Description                            |    |    |    |    |    |    |    |    |    |    |    |    |    |    |    |    |    |    |   |   |   |   |   |   |   |   |   |   |
| A          | RW         | EVENTS_SEQSTARTED |       | First PWM period started on sequence n |    |    |    |    |    |    |    |    |    |    |    |    |    |    |    |    |    |    |   |   |   |   |   |   |   |   |   |   |
|            |            | NotGenerated      | 0     | Event not generated                    |    |    |    |    |    |    |    |    |    |    |    |    |    |    |    |    |    |    |   |   |   |   |   |   |   |   |   |   |
|            |            | Generated         | 1     | Event generated                        |    |    |    |    |    |    |    |    |    |    |    |    |    |    |    |    |    |    |   |   |   |   |   |   |   |   |   |   |

#### 6.17.5.6 EVENTS\_SEQEND[n] (n=0..1)

Address offset: 0x110 + (n × 0x4)

Emitted at end of every sequence n, when last value from RAM has been applied to wave counter

| Bit number | 31         | 30            | 29    | 28  | 27 | 26 | 25 | 24 | 23 | 22 | 21 | 20 | 19 | 18 | 17 | 16 | 15 | 14 | 13 | 12 | 11 | 10 | 9 | 8 | 7 | 6 | 5 | 4 | 3 | 2 | 1 | 0 |
|------------|------------|---------------|-------|---|----|----|----|----|----|----|----|----|----|----|----|----|----|----|----|----|----|----|---|---|---|---|---|---|---|---|---|---|
| ID         |            |               |       |   |    |    |    |    |    |    |    |    |    |    |    |    |    |    |    |    |    |    |   |   |   |   |   |   |   |   |   | A |
| Reset      | 0x00000000 |               |       |   |    |    |    |    |    |    |    |    |    |    |    |    |    |    |    |    |    |    |   |   |   |   |   |   |   |   |   |   |
| 0          | 0          | 0             | 0     | 0   | 0  | 0  | 0  | 0  | 0  | 0  | 0  | 0  | 0  | 0  | 0  | 0  | 0  | 0  | 0  | 0  | 0  | 0  | 0 | 0 | 0 | 0 | 0 | 0 | 0 | 0 | 0 | 0 |
| ID         | Acce Field | Value ID      | Value | Description   |    |    |    |    |    |    |    |    |    |    |    |    |    |    |    |    |    |    |   |   |   |   |   |   |   |   |   |   |
| A          | RW         | EVENTS_SEQEND |       | Emitted at end of every sequence n, when last value from RAM has been applied to wave counter |    |    |    |    |    |    |    |    |    |    |    |    |    |    |    |    |    |    |   |   |   |   |   |   |   |   |   |   |
|            |            | NotGenerated  | 0     | Event not generated   |    |    |    |    |    |    |    |    |    |    |    |    |    |    |    |    |    |    |   |   |   |   |   |   |   |   |   |   |
|            |            | Generated     | 1     | Event generated   |    |    |    |    |    |    |    |    |    |    |    |    |    |    |    |    |    |    |   |   |   |   |   |   |   |   |   |   |



### 6.17.5.7 EVENTS\_PWMPERIODEND

Address offset: 0x118

Emitted at the end of each PWM period

| Bit number       | 31 30 29 28 27 26 25 24 23 22 21 20 19 18 17 16 15 14 13 12 11 10 9 8 7 6 5 4 3 2 1 0 |                     |       |                                       |  |  |  |  |  |  |  |  |  |  |  |  |  |  |  |  |  |  |  |  |  |  |  |  |  |  |  |
|------------------|---|---------------------|-------|---------------------------------------|--|--|--|--|--|--|--|--|--|--|--|--|--|--|--|--|--|--|--|--|--|--|--|--|--|--|--|
| ID               | A   |                     |       |                                       |  |  |  |  |  |  |  |  |  |  |  |  |  |  |  |  |  |  |  |  |  |  |  |  |  |  |  |
| Reset 0x00000000 | 0             |                     |       |                                       |  |  |  |  |  |  |  |  |  |  |  |  |  |  |  |  |  |  |  |  |  |  |  |  |  |  |  |
| ID               | Acce Field  | Value ID            | Value | Description                           |  |  |  |  |  |  |  |  |  |  |  |  |  |  |  |  |  |  |  |  |  |  |  |  |  |  |  |
| A                | RW  | EVENTS_PWMPERIODEND |       | Emitted at the end of each PWM period |  |  |  |  |  |  |  |  |  |  |  |  |  |  |  |  |  |  |  |  |  |  |  |  |  |  |  |
|                  |   | NotGenerated        | 0     | Event not generated                   |  |  |  |  |  |  |  |  |  |  |  |  |  |  |  |  |  |  |  |  |  |  |  |  |  |  |  |
|                  |   | Generated           | 1     | Event generated                       |  |  |  |  |  |  |  |  |  |  |  |  |  |  |  |  |  |  |  |  |  |  |  |  |  |  |  |

### 6.17.5.8 EVENTS\_LOOPSDONE

Address offset: 0x11C

Concatenated sequences have been played the amount of times defined in LOOP.CNT

| Bit number       | 31 30 29 28 27 26 25 24 23 22 21 20 19 18 17 16 15 14 13 12 11 10 9 8 7 6 5 4 3 2 1 0 |                  |       |   |  |  |  |  |  |  |  |  |  |  |  |  |  |  |  |  |  |  |  |  |  |  |  |  |  |  |  |
|------------------|---|------------------|-------|---|--|--|--|--|--|--|--|--|--|--|--|--|--|--|--|--|--|--|--|--|--|--|--|--|--|--|--|
| ID               | A   |                  |       |   |  |  |  |  |  |  |  |  |  |  |  |  |  |  |  |  |  |  |  |  |  |  |  |  |  |  |  |
| Reset 0x00000000 | 0             |                  |       |   |  |  |  |  |  |  |  |  |  |  |  |  |  |  |  |  |  |  |  |  |  |  |  |  |  |  |  |
| ID               | Acce Field  | Value ID         | Value | Description   |  |  |  |  |  |  |  |  |  |  |  |  |  |  |  |  |  |  |  |  |  |  |  |  |  |  |  |
| A                | RW  | EVENTS_LOOPSDONE |       | Concatenated sequences have been played the amount of times defined in LOOP.CNT |  |  |  |  |  |  |  |  |  |  |  |  |  |  |  |  |  |  |  |  |  |  |  |  |  |  |  |
|                  |   | NotGenerated     | 0     | Event not generated   |  |  |  |  |  |  |  |  |  |  |  |  |  |  |  |  |  |  |  |  |  |  |  |  |  |  |  |
|                  |   | Generated        | 1     | Event generated   |  |  |  |  |  |  |  |  |  |  |  |  |  |  |  |  |  |  |  |  |  |  |  |  |  |  |  |

### 6.17.5.9 SHORTS

Address offset: 0x200

Shortcuts between local events and tasks

| Bit number       | 31 30 29 28 27 26 25 24 23 22 21 20 19 18 17 16 15 14 13 12 11 10 9 8 7 6 5 4 3 2 1 0 |                     |       |   |  |  |  |  |  |  |  |  |  |  |  |  |  |  |  |  |  |  |  |  |  |  |  |  |  |  |  |
|------------------|---|---------------------|-------|---|--|--|--|--|--|--|--|--|--|--|--|--|--|--|--|--|--|--|--|--|--|--|--|--|--|--|--|
| ID               | E D C B A   |                     |       |   |  |  |  |  |  |  |  |  |  |  |  |  |  |  |  |  |  |  |  |  |  |  |  |  |  |  |  |
| Reset 0x00000000 | 0             |                     |       |   |  |  |  |  |  |  |  |  |  |  |  |  |  |  |  |  |  |  |  |  |  |  |  |  |  |  |  |
| ID               | Acce Field  | Value ID            | Value | Description   |  |  |  |  |  |  |  |  |  |  |  |  |  |  |  |  |  |  |  |  |  |  |  |  |  |  |  |
| A                | RW  | SEQEND0_STOP        |       | Shortcut between event SEQEND[0] and task STOP        |  |  |  |  |  |  |  |  |  |  |  |  |  |  |  |  |  |  |  |  |  |  |  |  |  |  |  |
|                  |   | Disabled            | 0     | Disable shortcut                                      |  |  |  |  |  |  |  |  |  |  |  |  |  |  |  |  |  |  |  |  |  |  |  |  |  |  |  |
|                  |   | Enabled             | 1     | Enable shortcut                                       |  |  |  |  |  |  |  |  |  |  |  |  |  |  |  |  |  |  |  |  |  |  |  |  |  |  |  |
| B                | RW  | SEQEND1_STOP        |       | Shortcut between event SEQEND[1] and task STOP        |  |  |  |  |  |  |  |  |  |  |  |  |  |  |  |  |  |  |  |  |  |  |  |  |  |  |  |
|                  |   | Disabled            | 0     | Disable shortcut                                      |  |  |  |  |  |  |  |  |  |  |  |  |  |  |  |  |  |  |  |  |  |  |  |  |  |  |  |
|                  |   | Enabled             | 1     | Enable shortcut                                       |  |  |  |  |  |  |  |  |  |  |  |  |  |  |  |  |  |  |  |  |  |  |  |  |  |  |  |
| C                | RW  | LOOPSDONE_SEQSTART0 |       | Shortcut between event LOOPSDONE and task SEQSTART[0] |  |  |  |  |  |  |  |  |  |  |  |  |  |  |  |  |  |  |  |  |  |  |  |  |  |  |  |
|                  |   | Disabled            | 0     | Disable shortcut                                      |  |  |  |  |  |  |  |  |  |  |  |  |  |  |  |  |  |  |  |  |  |  |  |  |  |  |  |
|                  |   | Enabled             | 1     | Enable shortcut                                       |  |  |  |  |  |  |  |  |  |  |  |  |  |  |  |  |  |  |  |  |  |  |  |  |  |  |  |
| D                | RW  | LOOPSDONE_SEQSTART1 |       | Shortcut between event LOOPSDONE and task SEQSTART[1] |  |  |  |  |  |  |  |  |  |  |  |  |  |  |  |  |  |  |  |  |  |  |  |  |  |  |  |
|                  |   | Disabled            | 0     | Disable shortcut                                      |  |  |  |  |  |  |  |  |  |  |  |  |  |  |  |  |  |  |  |  |  |  |  |  |  |  |  |
|                  |   | Enabled             | 1     | Enable shortcut                                       |  |  |  |  |  |  |  |  |  |  |  |  |  |  |  |  |  |  |  |  |  |  |  |  |  |  |  |
| E                | RW  | LOOPSDONE_STOP      |       | Shortcut between event LOOPSDONE and task STOP        |  |  |  |  |  |  |  |  |  |  |  |  |  |  |  |  |  |  |  |  |  |  |  |  |  |  |  |
|                  |   | Disabled            | 0     | Disable shortcut                                      |  |  |  |  |  |  |  |  |  |  |  |  |  |  |  |  |  |  |  |  |  |  |  |  |  |  |  |
|                  |   | Enabled             | 1     | Enable shortcut                                       |  |  |  |  |  |  |  |  |  |  |  |  |  |  |  |  |  |  |  |  |  |  |  |  |  |  |  |

### 6.17.5.10 INTEN

Address offset: 0x300

Enable or disable interrupt

| Bit number       | 31 30 29 28 27 26 25 24 23 22 21 20 19 18 17 16 15 14 13 12 11 10 9 8 7 6 5 4 3 2 1 0 |                        |          |    |         |   |  |  |  |  |  |  |  |  |  |  |  |  |  |  |  |  |  |  |  |  |  |  |   |   |   |   |   |   |   |
|------------------|---|------------------------|----------|----|---------|---|--|--|--|--|--|--|--|--|--|--|--|--|--|--|--|--|--|--|--|--|--|--|---|---|---|---|---|---|---|
| ID               |   |                        |          |    |         |   |  |  |  |  |  |  |  |  |  |  |  |  |  |  |  |  |  |  |  |  |  |  | H | G | F | E | D | C | B |
| Reset 0x00000000 | 0                       |                        |          |    |         |   |  |  |  |  |  |  |  |  |  |  |  |  |  |  |  |  |  |  |  |  |  |  |   |   |   |   |   |   |   |
| ID               | Acce  | Field                  | Value    | ID | Value   | Description   |  |  |  |  |  |  |  |  |  |  |  |  |  |  |  |  |  |  |  |  |  |  |   |   |   |   |   |   |   |
| B                | RW  | STOPPED                |          |    |         | Enable or disable interrupt for event STOPPED       |  |  |  |  |  |  |  |  |  |  |  |  |  |  |  |  |  |  |  |  |  |  |   |   |   |   |   |   |   |
|                  |   |                        | Disabled | 0  | Disable |   |  |  |  |  |  |  |  |  |  |  |  |  |  |  |  |  |  |  |  |  |  |  |   |   |   |   |   |   |   |
|                  |   |                        | Enabled  | 1  | Enable  |   |  |  |  |  |  |  |  |  |  |  |  |  |  |  |  |  |  |  |  |  |  |  |   |   |   |   |   |   |   |
| C-D              | RW  | SEQSTARTED[i] (i=0..1) |          |    |         | Enable or disable interrupt for event SEQSTARTED[i] |  |  |  |  |  |  |  |  |  |  |  |  |  |  |  |  |  |  |  |  |  |  |   |   |   |   |   |   |   |
|                  |   |                        | Disabled | 0  | Disable |   |  |  |  |  |  |  |  |  |  |  |  |  |  |  |  |  |  |  |  |  |  |  |   |   |   |   |   |   |   |
|                  |   |                        | Enabled  | 1  | Enable  |   |  |  |  |  |  |  |  |  |  |  |  |  |  |  |  |  |  |  |  |  |  |  |   |   |   |   |   |   |   |
| E-F              | RW  | SEQEND[i] (i=0..1)     |          |    |         | Enable or disable interrupt for event SEQEND[i]     |  |  |  |  |  |  |  |  |  |  |  |  |  |  |  |  |  |  |  |  |  |  |   |   |   |   |   |   |   |
|                  |   |                        | Disabled | 0  | Disable |   |  |  |  |  |  |  |  |  |  |  |  |  |  |  |  |  |  |  |  |  |  |  |   |   |   |   |   |   |   |
|                  |   |                        | Enabled  | 1  | Enable  |   |  |  |  |  |  |  |  |  |  |  |  |  |  |  |  |  |  |  |  |  |  |  |   |   |   |   |   |   |   |
| G                | RW  | PWMPERIODEND           |          |    |         | Enable or disable interrupt for event PWMPERIODEND  |  |  |  |  |  |  |  |  |  |  |  |  |  |  |  |  |  |  |  |  |  |  |   |   |   |   |   |   |   |
|                  |   |                        | Disabled | 0  | Disable |   |  |  |  |  |  |  |  |  |  |  |  |  |  |  |  |  |  |  |  |  |  |  |   |   |   |   |   |   |   |
|                  |   |                        | Enabled  | 1  | Enable  |   |  |  |  |  |  |  |  |  |  |  |  |  |  |  |  |  |  |  |  |  |  |  |   |   |   |   |   |   |   |
| H                | RW  | LOOPSDONE              |          |    |         | Enable or disable interrupt for event LOOPSDONE     |  |  |  |  |  |  |  |  |  |  |  |  |  |  |  |  |  |  |  |  |  |  |   |   |   |   |   |   |   |
|                  |   |                        | Disabled | 0  | Disable |   |  |  |  |  |  |  |  |  |  |  |  |  |  |  |  |  |  |  |  |  |  |  |   |   |   |   |   |   |   |
|                  |   |                        | Enabled  | 1  | Enable  |   |  |  |  |  |  |  |  |  |  |  |  |  |  |  |  |  |  |  |  |  |  |  |   |   |   |   |   |   |   |

### 6.17.5.11 INTENSET

Address offset: 0x304

Enable interrupt

| Bit number       | 31 30 29 28 27 26 25 24 23 22 21 20 19 18 17 16 15 14 13 12 11 10 9 8 7 6 5 4 3 2 1 0 |                        |          |    |                |   |  |  |  |  |  |  |  |  |  |  |  |  |  |  |  |  |  |  |  |  |  |  |   |   |   |   |   |   |   |
|------------------|---|------------------------|----------|----|----------------|---|--|--|--|--|--|--|--|--|--|--|--|--|--|--|--|--|--|--|--|--|--|--|---|---|---|---|---|---|---|
| ID               |   |                        |          |    |                |   |  |  |  |  |  |  |  |  |  |  |  |  |  |  |  |  |  |  |  |  |  |  | H | G | F | E | D | C | B |
| Reset 0x00000000 | 0                       |                        |          |    |                |   |  |  |  |  |  |  |  |  |  |  |  |  |  |  |  |  |  |  |  |  |  |  |   |   |   |   |   |   |   |
| ID               | Acce  | Field                  | Value    | ID | Value          | Description   |  |  |  |  |  |  |  |  |  |  |  |  |  |  |  |  |  |  |  |  |  |  |   |   |   |   |   |   |   |
| B                | RW  | STOPPED                |          |    |                | Write '1' to enable interrupt for event STOPPED       |  |  |  |  |  |  |  |  |  |  |  |  |  |  |  |  |  |  |  |  |  |  |   |   |   |   |   |   |   |
|                  |   |                        | Set      | 1  | Enable         |   |  |  |  |  |  |  |  |  |  |  |  |  |  |  |  |  |  |  |  |  |  |  |   |   |   |   |   |   |   |
|                  |   |                        | Disabled | 0  | Read: Disabled |   |  |  |  |  |  |  |  |  |  |  |  |  |  |  |  |  |  |  |  |  |  |  |   |   |   |   |   |   |   |
|                  |   |                        | Enabled  | 1  | Read: Enabled  |   |  |  |  |  |  |  |  |  |  |  |  |  |  |  |  |  |  |  |  |  |  |  |   |   |   |   |   |   |   |
| C-D              | RW  | SEQSTARTED[i] (i=0..1) |          |    |                | Write '1' to enable interrupt for event SEQSTARTED[i] |  |  |  |  |  |  |  |  |  |  |  |  |  |  |  |  |  |  |  |  |  |  |   |   |   |   |   |   |   |
|                  |   |                        | Set      | 1  | Enable         |   |  |  |  |  |  |  |  |  |  |  |  |  |  |  |  |  |  |  |  |  |  |  |   |   |   |   |   |   |   |
|                  |   |                        | Disabled | 0  | Read: Disabled |   |  |  |  |  |  |  |  |  |  |  |  |  |  |  |  |  |  |  |  |  |  |  |   |   |   |   |   |   |   |
|                  |   |                        | Enabled  | 1  | Read: Enabled  |   |  |  |  |  |  |  |  |  |  |  |  |  |  |  |  |  |  |  |  |  |  |  |   |   |   |   |   |   |   |
| E-F              | RW  | SEQEND[i] (i=0..1)     |          |    |                | Write '1' to enable interrupt for event SEQEND[i]     |  |  |  |  |  |  |  |  |  |  |  |  |  |  |  |  |  |  |  |  |  |  |   |   |   |   |   |   |   |
|                  |   |                        | Set      | 1  | Enable         |   |  |  |  |  |  |  |  |  |  |  |  |  |  |  |  |  |  |  |  |  |  |  |   |   |   |   |   |   |   |
|                  |   |                        | Disabled | 0  | Read: Disabled |   |  |  |  |  |  |  |  |  |  |  |  |  |  |  |  |  |  |  |  |  |  |  |   |   |   |   |   |   |   |
|                  |   |                        | Enabled  | 1  | Read: Enabled  |   |  |  |  |  |  |  |  |  |  |  |  |  |  |  |  |  |  |  |  |  |  |  |   |   |   |   |   |   |   |
| G                | RW  | PWMPERIODEND           |          |    |                | Write '1' to enable interrupt for event PWMPERIODEND  |  |  |  |  |  |  |  |  |  |  |  |  |  |  |  |  |  |  |  |  |  |  |   |   |   |   |   |   |   |
|                  |   |                        | Set      | 1  | Enable         |   |  |  |  |  |  |  |  |  |  |  |  |  |  |  |  |  |  |  |  |  |  |  |   |   |   |   |   |   |   |
|                  |   |                        | Disabled | 0  | Read: Disabled |   |  |  |  |  |  |  |  |  |  |  |  |  |  |  |  |  |  |  |  |  |  |  |   |   |   |   |   |   |   |
|                  |   |                        | Enabled  | 1  | Read: Enabled  |   |  |  |  |  |  |  |  |  |  |  |  |  |  |  |  |  |  |  |  |  |  |  |   |   |   |   |   |   |   |
| H                | RW  | LOOPSDONE              |          |    |                | Write '1' to enable interrupt for event LOOPSDONE     |  |  |  |  |  |  |  |  |  |  |  |  |  |  |  |  |  |  |  |  |  |  |   |   |   |   |   |   |   |
|                  |   |                        | Set      | 1  | Enable         |   |  |  |  |  |  |  |  |  |  |  |  |  |  |  |  |  |  |  |  |  |  |  |   |   |   |   |   |   |   |
|                  |   |                        | Disabled | 0  | Read: Disabled |   |  |  |  |  |  |  |  |  |  |  |  |  |  |  |  |  |  |  |  |  |  |  |   |   |   |   |   |   |   |

| Bit number       | 31  | 30       | 29    | 28            | 27 | 26 | 25 | 24 | 23 | 22 | 21 | 20 | 19 | 18 | 17 | 16 | 15 | 14 | 13 | 12 | 11 | 10 | 9 | 8 | 7 | 6 | 5 | 4 | 3 | 2 | 1 | 0 |   |
|------------------|---|----------|-------|---------------|----|----|----|----|----|----|----|----|----|----|----|----|----|----|----|----|----|----|---|---|---|---|---|---|---|---|---|---|---|
| ID               |   |          |       |               |    |    |    |    |    |    |    |    |    |    |    |    |    |    |    |    |    |    |   |   |   |   | H | G | F | E | D | C | B |
| Reset 0x00000000 | 0 |          |       |               |    |    |    |    |    |    |    |    |    |    |    |    |    |    |    |    |    |    |   |   |   |   |   |   |   |   |   |   |   |
| ID               | Acce Field  | Value ID | Value | Description   |    |    |    |    |    |    |    |    |    |    |    |    |    |    |    |    |    |    |   |   |   |   |   |   |   |   |   |   |   |
|                  |   | Enabled  | 1     | Read: Enabled |    |    |    |    |    |    |    |    |    |    |    |    |    |    |    |    |    |    |   |   |   |   |   |   |   |   |   |   |   |

### 6.17.5.12 INTENCLR

Address offset: 0x308

Disable interrupt

| Bit number       | 31  | 30       | 29    | 28   | 27 | 26 | 25 | 24 | 23 | 22 | 21 | 20 | 19 | 18 | 17 | 16 | 15 | 14 | 13 | 12 | 11 | 10 | 9 | 8 | 7 | 6 | 5 | 4 | 3 | 2 | 1 | 0 |   |
|------------------|---|----------|-------|--|----|----|----|----|----|----|----|----|----|----|----|----|----|----|----|----|----|----|---|---|---|---|---|---|---|---|---|---|---|
| ID               |   |          |       |  |    |    |    |    |    |    |    |    |    |    |    |    |    |    |    |    |    |    |   |   |   |   | H | G | F | E | D | C | B |
| Reset 0x00000000 | 0 |          |       |  |    |    |    |    |    |    |    |    |    |    |    |    |    |    |    |    |    |    |   |   |   |   |   |   |   |   |   |   |   |
| ID               | Acce Field  | Value ID | Value | Description  |    |    |    |    |    |    |    |    |    |    |    |    |    |    |    |    |    |    |   |   |   |   |   |   |   |   |   |   |   |
| B                | RW STOPPED  |          |       | Write '1' to disable interrupt for event STOPPED       |    |    |    |    |    |    |    |    |    |    |    |    |    |    |    |    |    |    |   |   |   |   |   |   |   |   |   |   |   |
|                  |   | Clear    | 1     | Disable  |    |    |    |    |    |    |    |    |    |    |    |    |    |    |    |    |    |    |   |   |   |   |   |   |   |   |   |   |   |
|                  |   | Disabled | 0     | Read: Disabled   |    |    |    |    |    |    |    |    |    |    |    |    |    |    |    |    |    |    |   |   |   |   |   |   |   |   |   |   |   |
|                  |   | Enabled  | 1     | Read: Enabled  |    |    |    |    |    |    |    |    |    |    |    |    |    |    |    |    |    |    |   |   |   |   |   |   |   |   |   |   |   |
| C-D              | RW SEQSTARTED[i] (i=0..1)   |          |       | Write '1' to disable interrupt for event SEQSTARTED[i] |    |    |    |    |    |    |    |    |    |    |    |    |    |    |    |    |    |    |   |   |   |   |   |   |   |   |   |   |   |
|                  |   | Clear    | 1     | Disable  |    |    |    |    |    |    |    |    |    |    |    |    |    |    |    |    |    |    |   |   |   |   |   |   |   |   |   |   |   |
|                  |   | Disabled | 0     | Read: Disabled   |    |    |    |    |    |    |    |    |    |    |    |    |    |    |    |    |    |    |   |   |   |   |   |   |   |   |   |   |   |
|                  |   | Enabled  | 1     | Read: Enabled  |    |    |    |    |    |    |    |    |    |    |    |    |    |    |    |    |    |    |   |   |   |   |   |   |   |   |   |   |   |
| E-F              | RW SEQEND[i] (i=0..1)   |          |       | Write '1' to disable interrupt for event SEQEND[i]     |    |    |    |    |    |    |    |    |    |    |    |    |    |    |    |    |    |    |   |   |   |   |   |   |   |   |   |   |   |
|                  |   | Clear    | 1     | Disable  |    |    |    |    |    |    |    |    |    |    |    |    |    |    |    |    |    |    |   |   |   |   |   |   |   |   |   |   |   |
|                  |   | Disabled | 0     | Read: Disabled   |    |    |    |    |    |    |    |    |    |    |    |    |    |    |    |    |    |    |   |   |   |   |   |   |   |   |   |   |   |
|                  |   | Enabled  | 1     | Read: Enabled  |    |    |    |    |    |    |    |    |    |    |    |    |    |    |    |    |    |    |   |   |   |   |   |   |   |   |   |   |   |
| G                | RW PWMPERIODEND   |          |       | Write '1' to disable interrupt for event PWMPERIODEND  |    |    |    |    |    |    |    |    |    |    |    |    |    |    |    |    |    |    |   |   |   |   |   |   |   |   |   |   |   |
|                  |   | Clear    | 1     | Disable  |    |    |    |    |    |    |    |    |    |    |    |    |    |    |    |    |    |    |   |   |   |   |   |   |   |   |   |   |   |
|                  |   | Disabled | 0     | Read: Disabled   |    |    |    |    |    |    |    |    |    |    |    |    |    |    |    |    |    |    |   |   |   |   |   |   |   |   |   |   |   |
|                  |   | Enabled  | 1     | Read: Enabled  |    |    |    |    |    |    |    |    |    |    |    |    |    |    |    |    |    |    |   |   |   |   |   |   |   |   |   |   |   |
| H                | RW LOOPSDONE  |          |       | Write '1' to disable interrupt for event LOOPSDONE     |    |    |    |    |    |    |    |    |    |    |    |    |    |    |    |    |    |    |   |   |   |   |   |   |   |   |   |   |   |
|                  |   | Clear    | 1     | Disable  |    |    |    |    |    |    |    |    |    |    |    |    |    |    |    |    |    |    |   |   |   |   |   |   |   |   |   |   |   |
|                  |   | Disabled | 0     | Read: Disabled   |    |    |    |    |    |    |    |    |    |    |    |    |    |    |    |    |    |    |   |   |   |   |   |   |   |   |   |   |   |
|                  |   | Enabled  | 1     | Read: Enabled  |    |    |    |    |    |    |    |    |    |    |    |    |    |    |    |    |    |    |   |   |   |   |   |   |   |   |   |   |   |

### 6.17.5.13 ENABLE

Address offset: 0x500

PWM module enable register

| Bit number       | 31  | 30       | 29    | 28                           | 27 | 26 | 25 | 24 | 23 | 22 | 21 | 20 | 19 | 18 | 17 | 16 | 15 | 14 | 13 | 12 | 11 | 10 | 9 | 8 | 7 | 6 | 5 | 4 | 3 | 2 | 1 | 0 |
|------------------|---|----------|-------|------------------------------|----|----|----|----|----|----|----|----|----|----|----|----|----|----|----|----|----|----|---|---|---|---|---|---|---|---|---|---|
| ID               |   |          |       |                              |    |    |    |    |    |    |    |    |    |    |    |    |    |    |    |    |    |    |   |   |   |   | A |   |   |   |   |   |
| Reset 0x00000000 | 0 |          |       |                              |    |    |    |    |    |    |    |    |    |    |    |    |    |    |    |    |    |    |   |   |   |   |   |   |   |   |   |   |
| ID               | Acce Field  | Value ID | Value | Description                  |    |    |    |    |    |    |    |    |    |    |    |    |    |    |    |    |    |    |   |   |   |   |   |   |   |   |   |   |
| A                | RW ENABLE   |          |       | Enable or disable PWM module |    |    |    |    |    |    |    |    |    |    |    |    |    |    |    |    |    |    |   |   |   |   |   |   |   |   |   |   |
|                  |   | Disabled | 0     | Disabled                     |    |    |    |    |    |    |    |    |    |    |    |    |    |    |    |    |    |    |   |   |   |   |   |   |   |   |   |   |
|                  |   | Enabled  | 1     | Enable                       |    |    |    |    |    |    |    |    |    |    |    |    |    |    |    |    |    |    |   |   |   |   |   |   |   |   |   |   |

### 6.17.5.14 MODE

Address offset: 0x504

Selects operating mode of the wave counter

| Bit number | 31         | 30     | 29        | 28    | 27  | 26 | 25 | 24 | 23 | 22 | 21 | 20 | 19 | 18 | 17 | 16 | 15 | 14 | 13 | 12 | 11 | 10 | 9 | 8 | 7 | 6 | 5 | 4 | 3 | 2 | 1 | 0 |
|------------|------------|--------|-----------|-------|---|----|----|----|----|----|----|----|----|----|----|----|----|----|----|----|----|----|---|---|---|---|---|---|---|---|---|---|
| ID         |            |        |           |       |   |    |    |    |    |    |    |    |    |    |    |    |    |    |    |    |    |    |   |   |   |   |   |   |   |   |   | A |
| Reset      | 0x00000000 |        |           |       |   |    |    |    |    |    |    |    |    |    |    |    |    |    |    |    |    |    |   |   |   |   |   |   |   |   |   |   |
| Reset      | 0          | 0      | 0         | 0     | 0   | 0  | 0  | 0  | 0  | 0  | 0  | 0  | 0  | 0  | 0  | 0  | 0  | 0  | 0  | 0  | 0  | 0  | 0 | 0 | 0 | 0 | 0 | 0 | 0 | 0 | 0 | 0 |
| ID         | Acce       | Field  | Value ID  | Value | Description   |    |    |    |    |    |    |    |    |    |    |    |    |    |    |    |    |    |   |   |   |   |   |   |   |   |   |   |
| A          | RW         | UPDOWN |           |       | Selects up mode or up-and-down mode for the counter |    |    |    |    |    |    |    |    |    |    |    |    |    |    |    |    |    |   |   |   |   |   |   |   |   |   |   |
|            |            |        | Up        | 0     | Up counter, edge-aligned PWM duty cycle             |    |    |    |    |    |    |    |    |    |    |    |    |    |    |    |    |    |   |   |   |   |   |   |   |   |   |   |
|            |            |        | UpAndDown | 1     | Up and down counter, center-aligned PWM duty cycle  |    |    |    |    |    |    |    |    |    |    |    |    |    |    |    |    |    |   |   |   |   |   |   |   |   |   |   |

### 6.17.5.15 COUNTERTOP

Address offset: 0x508

Value up to which the pulse generator counter counts

| Bit number | 31         | 30         | 29       | 28         | 27   | 26 | 25 | 24 | 23 | 22 | 21 | 20 | 19 | 18 | 17 | 16 | 15 | 14 | 13 | 12 | 11 | 10 | 9 | 8 | 7 | 6 | 5 | 4 | 3 | 2 | 1 | 0 |   |   |   |   |   |   |   |   |   |   |   |   |   |   |   |   |   |   |   |   |   |   |   |   |
|------------|------------|------------|----------|------------|--|----|----|----|----|----|----|----|----|----|----|----|----|----|----|----|----|----|---|---|---|---|---|---|---|---|---|---|---|---|---|---|---|---|---|---|---|---|---|---|---|---|---|---|---|---|---|---|---|---|---|---|
| ID         |            |            |          |            |  |    |    |    |    |    |    |    |    |    |    |    |    |    |    |    |    |    |   |   |   |   |   |   | A | A | A | A | A | A | A | A | A | A | A | A | A | A | A | A | A | A | A | A | A | A | A | A | A | A | A | A |
| Reset      | 0x000003FF |            |          |            |  |    |    |    |    |    |    |    |    |    |    |    |    |    |    |    |    |    |   |   |   |   |   |   |   |   |   |   |   |   |   |   |   |   |   |   |   |   |   |   |   |   |   |   |   |   |   |   |   |   |   |   |
| Reset      | 0          | 0          | 0        | 0          | 0  | 0  | 0  | 0  | 0  | 0  | 0  | 0  | 0  | 0  | 0  | 0  | 0  | 0  | 0  | 0  | 0  | 0  | 0 | 0 | 1 | 1 | 1 | 1 | 1 | 1 | 1 | 1 |   |   |   |   |   |   |   |   |   |   |   |   |   |   |   |   |   |   |   |   |   |   |   |   |
| ID         | Acce       | Field      | Value ID | Value      | Description  |    |    |    |    |    |    |    |    |    |    |    |    |    |    |    |    |    |   |   |   |   |   |   |   |   |   |   |   |   |   |   |   |   |   |   |   |   |   |   |   |   |   |   |   |   |   |   |   |   |   |   |
| A          | RW         | COUNTERTOP |          | [3..32767] | Value up to which the pulse generator counter counts. This register is ignored when DECODER.MODE=WaveForm and only values from RAM are used. |    |    |    |    |    |    |    |    |    |    |    |    |    |    |    |    |    |   |   |   |   |   |   |   |   |   |   |   |   |   |   |   |   |   |   |   |   |   |   |   |   |   |   |   |   |   |   |   |   |   |   |

### 6.17.5.16 PRESCALER

Address offset: 0x50C

Configuration for PWM\_CLK

| Bit number | 31         | 30        | 29       | 28    | 27                      | 26 | 25 | 24 | 23 | 22 | 21 | 20 | 19 | 18 | 17 | 16 | 15 | 14 | 13 | 12 | 11 | 10 | 9 | 8 | 7 | 6 | 5 | 4 | 3 | 2 | 1 | 0 |  |  |   |   |   |
|------------|------------|-----------|----------|-------|-------------------------|----|----|----|----|----|----|----|----|----|----|----|----|----|----|----|----|----|---|---|---|---|---|---|---|---|---|---|--|--|---|---|---|
| ID         |            |           |          |       |                         |    |    |    |    |    |    |    |    |    |    |    |    |    |    |    |    |    |   |   |   |   |   |   |   |   |   |   |  |  | A | A | A |
| Reset      | 0x00000000 |           |          |       |                         |    |    |    |    |    |    |    |    |    |    |    |    |    |    |    |    |    |   |   |   |   |   |   |   |   |   |   |  |  |   |   |   |
| Reset      | 0          | 0         | 0        | 0     | 0                       | 0  | 0  | 0  | 0  | 0  | 0  | 0  | 0  | 0  | 0  | 0  | 0  | 0  | 0  | 0  | 0  | 0  | 0 | 0 | 0 | 0 | 0 | 0 | 0 | 0 | 0 | 0 |  |  |   |   |   |
| ID         | Acce       | Field     | Value ID | Value | Description             |    |    |    |    |    |    |    |    |    |    |    |    |    |    |    |    |    |   |   |   |   |   |   |   |   |   |   |  |  |   |   |   |
| A          | RW         | PRESCALER |          |       | Prescaler of PWM_CLK    |    |    |    |    |    |    |    |    |    |    |    |    |    |    |    |    |    |   |   |   |   |   |   |   |   |   |   |  |  |   |   |   |
|            |            |           | DIV_1    | 0     | Divide by 1 (16 MHz)    |    |    |    |    |    |    |    |    |    |    |    |    |    |    |    |    |    |   |   |   |   |   |   |   |   |   |   |  |  |   |   |   |
|            |            |           | DIV_2    | 1     | Divide by 2 (8 MHz)     |    |    |    |    |    |    |    |    |    |    |    |    |    |    |    |    |    |   |   |   |   |   |   |   |   |   |   |  |  |   |   |   |
|            |            |           | DIV_4    | 2     | Divide by 4 (4 MHz)     |    |    |    |    |    |    |    |    |    |    |    |    |    |    |    |    |    |   |   |   |   |   |   |   |   |   |   |  |  |   |   |   |
|            |            |           | DIV_8    | 3     | Divide by 8 (2 MHz)     |    |    |    |    |    |    |    |    |    |    |    |    |    |    |    |    |    |   |   |   |   |   |   |   |   |   |   |  |  |   |   |   |
|            |            |           | DIV_16   | 4     | Divide by 16 (1 MHz)    |    |    |    |    |    |    |    |    |    |    |    |    |    |    |    |    |    |   |   |   |   |   |   |   |   |   |   |  |  |   |   |   |
|            |            |           | DIV_32   | 5     | Divide by 32 (500 kHz)  |    |    |    |    |    |    |    |    |    |    |    |    |    |    |    |    |    |   |   |   |   |   |   |   |   |   |   |  |  |   |   |   |
|            |            |           | DIV_64   | 6     | Divide by 64 (250 kHz)  |    |    |    |    |    |    |    |    |    |    |    |    |    |    |    |    |    |   |   |   |   |   |   |   |   |   |   |  |  |   |   |   |
|            |            |           | DIV_128  | 7     | Divide by 128 (125 kHz) |    |    |    |    |    |    |    |    |    |    |    |    |    |    |    |    |    |   |   |   |   |   |   |   |   |   |   |  |  |   |   |   |

### 6.17.5.17 DECODER

Address offset: 0x510

Configuration of the decoder

| Bit number              | 31 30 29 28 27 26 25 24 23 22 21 20 19 18 17 16 15 14 13 12 11 10 9 8 7 6 5 4 3 2 1 0 |              |       |   |  |  |  |  |  |  |  |  |  |  |  |  |  |  |  |  |  |  |  |  |  |  |  |  |   |  |  |     |  |
|-------------------------|---|--------------|-------|---|--|--|--|--|--|--|--|--|--|--|--|--|--|--|--|--|--|--|--|--|--|--|--|--|---|--|--|-----|--|
| ID                      |   |              |       |   |  |  |  |  |  |  |  |  |  |  |  |  |  |  |  |  |  |  |  |  |  |  |  |  | B |  |  | A A |  |
| <b>Reset 0x00000000</b> | <b>0 0</b>      |              |       |   |  |  |  |  |  |  |  |  |  |  |  |  |  |  |  |  |  |  |  |  |  |  |  |  |   |  |  |     |  |
| ID                      | Acce Field  | Value ID     | Value | Description   |  |  |  |  |  |  |  |  |  |  |  |  |  |  |  |  |  |  |  |  |  |  |  |  |   |  |  |     |  |
| A                       | RW LOAD   |              |       | How a sequence is read from RAM and spread to the compare register          |  |  |  |  |  |  |  |  |  |  |  |  |  |  |  |  |  |  |  |  |  |  |  |  |   |  |  |     |  |
|                         |   | Common       | 0     | 1st half word (16-bit) used in all PWM channels 0..3                        |  |  |  |  |  |  |  |  |  |  |  |  |  |  |  |  |  |  |  |  |  |  |  |  |   |  |  |     |  |
|                         |   | Grouped      | 1     | 1st half word (16-bit) used in channel 0..1; 2nd word in channel 2..3       |  |  |  |  |  |  |  |  |  |  |  |  |  |  |  |  |  |  |  |  |  |  |  |  |   |  |  |     |  |
|                         |   | Individual   | 2     | 1st half word (16-bit) in ch.0; 2nd in ch.1; ...; 4th in ch.3               |  |  |  |  |  |  |  |  |  |  |  |  |  |  |  |  |  |  |  |  |  |  |  |  |   |  |  |     |  |
|                         |   | WaveForm     | 3     | 1st half word (16-bit) in ch.0; 2nd in ch.1; ...; 4th in COUNTERTOP         |  |  |  |  |  |  |  |  |  |  |  |  |  |  |  |  |  |  |  |  |  |  |  |  |   |  |  |     |  |
| B                       | RW MODE   |              |       | Selects source for advancing the active sequence                            |  |  |  |  |  |  |  |  |  |  |  |  |  |  |  |  |  |  |  |  |  |  |  |  |   |  |  |     |  |
|                         |   | RefreshCount | 0     | SEQ[n].REFRESH is used to determine loading internal compare registers      |  |  |  |  |  |  |  |  |  |  |  |  |  |  |  |  |  |  |  |  |  |  |  |  |   |  |  |     |  |
|                         |   | NextStep     | 1     | NEXTSTEP task causes a new value to be loaded to internal compare registers |  |  |  |  |  |  |  |  |  |  |  |  |  |  |  |  |  |  |  |  |  |  |  |  |   |  |  |     |  |

### 6.17.5.18 LOOP

Address offset: 0x514

Number of playbacks of a loop

| Bit number              | 31 30 29 28 27 26 25 24 23 22 21 20 19 18 17 16 15 14 13 12 11 10 9 8 7 6 5 4 3 2 1 0 |          |       |  |  |  |  |  |  |  |  |  |  |  |  |  |  |  |  |  |  |  |  |  |  |  |  |  |   |  |  |
|-------------------------|---|----------|-------|--|--|--|--|--|--|--|--|--|--|--|--|--|--|--|--|--|--|--|--|--|--|--|--|--|---|--|--|
| ID                      |   |          |       |  |  |  |  |  |  |  |  |  |  |  |  |  |  |  |  |  |  |  |  |  |  |  |  |  | A |  |  |
| <b>Reset 0x00000000</b> | <b>0 0</b>      |          |       |  |  |  |  |  |  |  |  |  |  |  |  |  |  |  |  |  |  |  |  |  |  |  |  |  |   |  |  |
| ID                      | Acce Field  | Value ID | Value | Description  |  |  |  |  |  |  |  |  |  |  |  |  |  |  |  |  |  |  |  |  |  |  |  |  |   |  |  |
| A                       | RW CNT  |          |       | Number of playbacks of pattern cycles              |  |  |  |  |  |  |  |  |  |  |  |  |  |  |  |  |  |  |  |  |  |  |  |  |   |  |  |
|                         |   | Disabled | 0     | Looping disabled (stop at the end of the sequence) |  |  |  |  |  |  |  |  |  |  |  |  |  |  |  |  |  |  |  |  |  |  |  |  |   |  |  |

### 6.17.5.19 SEQ[n].PTR (n=0..1)

Address offset: 0x520 + (n × 0x20)

Beginning address in RAM of this sequence

| Bit number              | 31 30 29 28 27 26 25 24 23 22 21 20 19 18 17 16 15 14 13 12 11 10 9 8 7 6 5 4 3 2 1 0 |          |       |   |  |  |  |  |  |  |  |  |  |  |  |  |  |  |  |  |  |  |  |  |  |  |  |  |       |  |  |
|-------------------------|---|----------|-------|---|--|--|--|--|--|--|--|--|--|--|--|--|--|--|--|--|--|--|--|--|--|--|--|--|-------|--|--|
| ID                      | A                               |          |       |   |  |  |  |  |  |  |  |  |  |  |  |  |  |  |  |  |  |  |  |  |  |  |  |  | A A A |  |  |
| <b>Reset 0x00000000</b> | <b>0 0</b>      |          |       |   |  |  |  |  |  |  |  |  |  |  |  |  |  |  |  |  |  |  |  |  |  |  |  |  |       |  |  |
| ID                      | Acce Field  | Value ID | Value | Description                               |  |  |  |  |  |  |  |  |  |  |  |  |  |  |  |  |  |  |  |  |  |  |  |  |       |  |  |
| A                       | RW PTR  |          |       | Beginning address in RAM of this sequence |  |  |  |  |  |  |  |  |  |  |  |  |  |  |  |  |  |  |  |  |  |  |  |  |       |  |  |

**Note:** See the memory chapter for details about which memories are available for EasyDMA.

### 6.17.5.20 SEQ[n].CNT (n=0..1)

Address offset: 0x524 + (n × 0x20)

Number of values (duty cycles) in this sequence

| Bit number              | 31 30 29 28 27 26 25 24 23 22 21 20 19 18 17 16 15 14 13 12 11 10 9 8 7 6 5 4 3 2 1 0 |          |       |  |  |  |  |  |  |  |  |  |  |  |  |  |  |  |  |  |  |  |  |  |  |  |  |  |  |  |   |   |   |   |   |   |   |   |   |   |   |   |   |   |   |   |   |   |   |   |   |   |   |   |   |   |   |
|-------------------------|---|----------|-------|--|--|--|--|--|--|--|--|--|--|--|--|--|--|--|--|--|--|--|--|--|--|--|--|--|--|--|---|---|---|---|---|---|---|---|---|---|---|---|---|---|---|---|---|---|---|---|---|---|---|---|---|---|---|
| ID                      |   |          |       |  |  |  |  |  |  |  |  |  |  |  |  |  |  |  |  |  |  |  |  |  |  |  |  |  |  |  | A | A | A | A | A | A | A | A | A | A | A | A | A | A | A | A | A | A | A | A | A | A | A | A | A | A | A |
| <b>Reset 0x00000000</b> | <b>0 0</b>      |          |       |  |  |  |  |  |  |  |  |  |  |  |  |  |  |  |  |  |  |  |  |  |  |  |  |  |  |  |   |   |   |   |   |   |   |   |   |   |   |   |   |   |   |   |   |   |   |   |   |   |   |   |   |   |   |
| ID                      | Acce Field  | Value ID | Value | Description  |  |  |  |  |  |  |  |  |  |  |  |  |  |  |  |  |  |  |  |  |  |  |  |  |  |  |   |   |   |   |   |   |   |   |   |   |   |   |   |   |   |   |   |   |   |   |   |   |   |   |   |   |   |
| A                       | RW CNT  | Disabled | 0     | Number of values (duty cycles) in this sequence<br>Sequence is disabled, and shall not be started as it is empty |  |  |  |  |  |  |  |  |  |  |  |  |  |  |  |  |  |  |  |  |  |  |  |  |  |  |   |   |   |   |   |   |   |   |   |   |   |   |   |   |   |   |   |   |   |   |   |   |   |   |   |   |   |

### 6.17.5.21 SEQ[n].REFRESH (n=0..1)

Address offset: 0x528 + (n × 0x20)

Number of additional PWM periods between samples loaded into compare register

| Bit number              | 31 30 29 28 27 26 25 24 23 22 21 20 19 18 17 16 15 14 13 12 11 10 9 8 7 6 5 4 3 2 1 0 |            |       |   |  |  |  |  |  |  |  |  |  |  |  |  |  |  |  |  |  |  |  |  |  |  |  |  |  |  |   |   |   |   |   |   |   |   |   |   |   |   |   |   |   |   |   |   |   |   |   |   |   |   |   |   |   |   |
|-------------------------|---|------------|-------|---|--|--|--|--|--|--|--|--|--|--|--|--|--|--|--|--|--|--|--|--|--|--|--|--|--|--|---|---|---|---|---|---|---|---|---|---|---|---|---|---|---|---|---|---|---|---|---|---|---|---|---|---|---|---|
| ID                      |   |            |       |   |  |  |  |  |  |  |  |  |  |  |  |  |  |  |  |  |  |  |  |  |  |  |  |  |  |  | A | A | A | A | A | A | A | A | A | A | A | A | A | A | A | A | A | A | A | A | A | A | A | A | A | A | A | A |
| <b>Reset 0x00000001</b> | <b>0 1</b>      |            |       |   |  |  |  |  |  |  |  |  |  |  |  |  |  |  |  |  |  |  |  |  |  |  |  |  |  |  |   |   |   |   |   |   |   |   |   |   |   |   |   |   |   |   |   |   |   |   |   |   |   |   |   |   |   |   |
| ID                      | Acce Field  | Value ID   | Value | Description   |  |  |  |  |  |  |  |  |  |  |  |  |  |  |  |  |  |  |  |  |  |  |  |  |  |  |   |   |   |   |   |   |   |   |   |   |   |   |   |   |   |   |   |   |   |   |   |   |   |   |   |   |   |   |
| A                       | RW CNT  | Continuous | 0     | Number of additional PWM periods between samples loaded into compare register (load every REFRESH.CNT+1 PWM periods)<br>Update every PWM period |  |  |  |  |  |  |  |  |  |  |  |  |  |  |  |  |  |  |  |  |  |  |  |  |  |  |   |   |   |   |   |   |   |   |   |   |   |   |   |   |   |   |   |   |   |   |   |   |   |   |   |   |   |   |

### 6.17.5.22 SEQ[n].ENDDDELAY (n=0..1)

Address offset: 0x52C + (n × 0x20)

Time added after the sequence

| Bit number              | 31 30 29 28 27 26 25 24 23 22 21 20 19 18 17 16 15 14 13 12 11 10 9 8 7 6 5 4 3 2 1 0 |          |       |  |  |  |  |  |  |  |  |  |  |  |  |  |  |  |  |  |  |  |  |  |  |  |  |  |  |  |   |   |   |   |   |   |   |   |   |   |   |   |   |   |   |   |   |   |   |   |   |   |   |   |   |   |   |   |
|-------------------------|---|----------|-------|--|--|--|--|--|--|--|--|--|--|--|--|--|--|--|--|--|--|--|--|--|--|--|--|--|--|--|---|---|---|---|---|---|---|---|---|---|---|---|---|---|---|---|---|---|---|---|---|---|---|---|---|---|---|---|
| ID                      |   |          |       |  |  |  |  |  |  |  |  |  |  |  |  |  |  |  |  |  |  |  |  |  |  |  |  |  |  |  | A | A | A | A | A | A | A | A | A | A | A | A | A | A | A | A | A | A | A | A | A | A | A | A | A | A | A | A |
| <b>Reset 0x00000000</b> | <b>0 0</b>      |          |       |  |  |  |  |  |  |  |  |  |  |  |  |  |  |  |  |  |  |  |  |  |  |  |  |  |  |  |   |   |   |   |   |   |   |   |   |   |   |   |   |   |   |   |   |   |   |   |   |   |   |   |   |   |   |   |
| ID                      | Acce Field  | Value ID | Value | Description                                  |  |  |  |  |  |  |  |  |  |  |  |  |  |  |  |  |  |  |  |  |  |  |  |  |  |  |   |   |   |   |   |   |   |   |   |   |   |   |   |   |   |   |   |   |   |   |   |   |   |   |   |   |   |   |
| A                       | RW CNT  |          |       | Time added after the sequence in PWM periods |  |  |  |  |  |  |  |  |  |  |  |  |  |  |  |  |  |  |  |  |  |  |  |  |  |  |   |   |   |   |   |   |   |   |   |   |   |   |   |   |   |   |   |   |   |   |   |   |   |   |   |   |   |   |

### 6.17.5.23 PSEL.OUT[n] (n=0..3)

Address offset: 0x560 + (n × 0x4)

Output pin select for PWM channel n

| Bit number              | 31 30 29 28 27 26 25 24 23 22 21 20 19 18 17 16 15 14 13 12 11 10 9 8 7 6 5 4 3 2 1 0 |              |         |             |  |  |  |  |  |  |  |  |  |  |  |  |  |  |  |  |  |  |  |  |  |  |  |  |  |  |   |   |   |   |   |   |   |   |   |   |   |   |   |   |   |   |   |   |   |   |   |   |   |   |   |   |   |   |
|-------------------------|---|--------------|---------|-------------|--|--|--|--|--|--|--|--|--|--|--|--|--|--|--|--|--|--|--|--|--|--|--|--|--|--|---|---|---|---|---|---|---|---|---|---|---|---|---|---|---|---|---|---|---|---|---|---|---|---|---|---|---|---|
| ID                      | C   |              |         |             |  |  |  |  |  |  |  |  |  |  |  |  |  |  |  |  |  |  |  |  |  |  |  |  |  |  | B | A | A | A | A | A | A | A | A | A | A | A | A | A | A | A | A | A | A | A | A | A | A | A | A | A | A | A |
| <b>Reset 0xFFFFFFFF</b> | <b>1 1</b>      |              |         |             |  |  |  |  |  |  |  |  |  |  |  |  |  |  |  |  |  |  |  |  |  |  |  |  |  |  |   |   |   |   |   |   |   |   |   |   |   |   |   |   |   |   |   |   |   |   |   |   |   |   |   |   |   |   |
| ID                      | Acce Field  | Value ID     | Value   | Description |  |  |  |  |  |  |  |  |  |  |  |  |  |  |  |  |  |  |  |  |  |  |  |  |  |  |   |   |   |   |   |   |   |   |   |   |   |   |   |   |   |   |   |   |   |   |   |   |   |   |   |   |   |   |
| A                       | RW PIN  |              | [0..31] | Pin number  |  |  |  |  |  |  |  |  |  |  |  |  |  |  |  |  |  |  |  |  |  |  |  |  |  |  |   |   |   |   |   |   |   |   |   |   |   |   |   |   |   |   |   |   |   |   |   |   |   |   |   |   |   |   |
| B                       | RW PORT   |              | [0..1]  | Port number |  |  |  |  |  |  |  |  |  |  |  |  |  |  |  |  |  |  |  |  |  |  |  |  |  |  |   |   |   |   |   |   |   |   |   |   |   |   |   |   |   |   |   |   |   |   |   |   |   |   |   |   |   |   |
| C                       | RW CONNECT  | Disconnected | 1       | Disconnect  |  |  |  |  |  |  |  |  |  |  |  |  |  |  |  |  |  |  |  |  |  |  |  |  |  |  |   |   |   |   |   |   |   |   |   |   |   |   |   |   |   |   |   |   |   |   |   |   |   |   |   |   |   |   |
|                         |   | Connected    | 0       | Connect     |  |  |  |  |  |  |  |  |  |  |  |  |  |  |  |  |  |  |  |  |  |  |  |  |  |  |   |   |   |   |   |   |   |   |   |   |   |   |   |   |   |   |   |   |   |   |   |   |   |   |   |   |   |   |

## 6.18 QDEC — Quadrature decoder

The Quadrature decoder (QDEC) provides buffered decoding of quadrature-encoded sensor signals. It is suitable for mechanical and optical sensors.

The sample period and accumulation are configurable to match application requirements. The QDEC provides the following:

- Digital waveform decoding from off-chip quadrature encoder
- Sample accumulation eliminating hard real-time requirements to be enforced on application
- Optional input de-bounce filters.
- Optional LED output signal for optical encoders

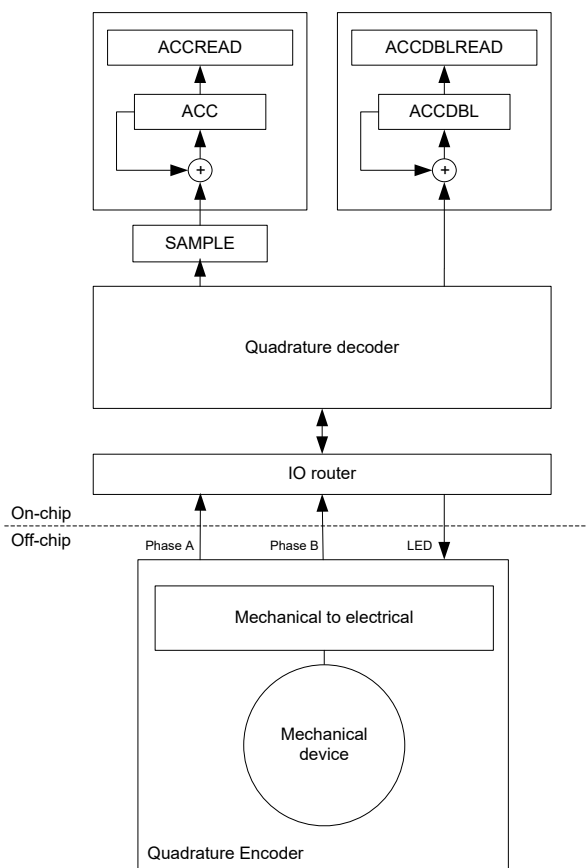


Figure 85: Quadrature decoder configuration

### 6.18.1 Sampling and decoding

The QDEC decodes the output from an incremental motion encoder by sampling the QDEC phase input pins (A and B).

The off-chip quadrature encoder is an incremental motion encoder outputting two waveforms, phase A and phase B. The two output waveforms are always 90 degrees out of phase, meaning that one always changes level before the other. The direction of movement is indicated by the waveform that changes level first. Invalid transitions may occur, meaning the two waveforms simultaneously switch. This may occur if the wheel rotates too fast relative to the sample rate set for the decoder.

The QDEC decodes the output from the off-chip encoder by sampling the QDEC phase input pins (A and B) at a fixed rate as specified in the SAMPLEPER register.

If the SAMPLEPER value needs to be changed, the QDEC shall be stopped using the STOP task. SAMPLEPER can be then changed upon receiving the STOPPED event, and QDEC can be restarted using the START task. Failing to do so may result in unpredictable behavior.

It is good practice to only change registers LEDPOL, REPORTPER, DBFEN, and LEDPRE when the QDEC is stopped.

When started, the decoder continuously samples the two input waveforms and decodes these by comparing the current sample pair (n) with the previous sample pair (n-1).

The decoding of the sample pairs is described in the table below.

| Previous sample pair(n-1) |   | Current samples pair(n) |   | SAMPLE register | ACC operation | ACCDBL operation | Description                    |
|---------------------------|---|-------------------------|---|-----------------|---------------|------------------|--------------------------------|
| A                         | B | A                       | B |                 |               |                  |                                |
| 0                         | 0 | 0                       | 0 | 0               | No change     | No change        | No movement                    |
| 0                         | 0 | 0                       | 1 | 1               | Increment     | No change        | Movement in positive direction |
| 0                         | 0 | 1                       | 0 | -1              | Decrement     | No change        | Movement in negative direction |
| 0                         | 0 | 1                       | 1 | 2               | No change     | Increment        | Error: Double transition       |
| 0                         | 1 | 0                       | 0 | -1              | Decrement     | No change        | Movement in negative direction |
| 0                         | 1 | 0                       | 1 | 0               | No change     | No change        | No movement                    |
| 0                         | 1 | 1                       | 0 | 2               | No change     | Increment        | Error: Double transition       |
| 0                         | 1 | 1                       | 1 | 1               | Increment     | No change        | Movement in positive direction |
| 1                         | 0 | 0                       | 0 | 1               | Increment     | No change        | Movement in positive direction |
| 1                         | 0 | 0                       | 1 | 2               | No change     | Increment        | Error: Double transition       |
| 1                         | 0 | 1                       | 0 | 0               | No change     | No change        | No movement                    |
| 1                         | 0 | 1                       | 1 | -1              | Decrement     | No change        | Movement in negative direction |
| 1                         | 1 | 0                       | 0 | 2               | No change     | Increment        | Error: Double transition       |
| 1                         | 1 | 0                       | 1 | -1              | Decrement     | No change        | Movement in negative direction |
| 1                         | 1 | 1                       | 0 | 1               | Increment     | No change        | Movement in positive direction |
| 1                         | 1 | 1                       | 1 | 0               | No change     | No change        | No movement                    |

Table 79: Sampled value encoding

## 6.18.2 LED output

The LED output follows the sample period. The LED is switched on for a set period before sampling and then switched off immediately after. The period the LED is switched on before sampling is given in the LEDPRE register.

The LED output pin polarity is specified in the LEDPOL register.

When using off-chip mechanical encoders not requiring an LED, the LED output can be disabled by writing value 'Disconnected' to the CONNECT field of the PSEL.LED register. In this case, the QDEC will not acquire access to a pin for the LED output.

## 6.18.3 Debounce filters

Each of the two-phase inputs have digital debounce filters.

When enabled through the DBFEN register, the filter inputs are sampled at a fixed 1 MHz frequency during the entire sample period (which is specified in the SAMPLEPER register). The filters require all of the samples within this sample period to equal before the input signal is accepted and transferred to the output of the filter.

As a result, only input signal with a steady state longer than twice the period specified in SAMPLEPER are guaranteed to pass through the filter. Any signal with a steady state shorter than SAMPLEPER will always be suppressed by the filter. It is assumed that the frequency during the debounce period never exceeds 500 kHz (as required by the Nyquist theorem when using a 1 MHz sample frequency).

The LED will always be ON when the debounce filters are enabled, as the inputs in this case will be sampled continuously.



When the debounce filters are enabled, displacements reported by the QDEC peripheral are delayed by one SAMPLEPER period.

### 6.18.4 Accumulators

The quadrature decoder contains two accumulator registers, ACC and ACCDBL. These registers accumulate valid motion sample values and the number of detected invalid samples (double transitions), respectively.

The ACC register accumulates all valid values (1/-1) written to the SAMPLE register. This can be useful for preventing hard real-time requirements from being enforced on the application. When using the ACC register, the application can fetch data when necessary instead of reading all SAMPLE register output. The ACC register holds the relative movement of the external mechanical device from the previous clearing of the ACC register. Sample values indicating a double transition (2) will not be accumulated in the ACC register.

An ACCOF event is generated if the ACC receives a SAMPLE value that would cause the register to overflow or underflow. Any SAMPLE value that would cause an ACC overflow or underflow will be discarded, but any samples that do not cause the ACC to overflow or underflow will still be accepted.

The accumulator ACCDBL accumulates the number of detected double transitions since the previous clearing of the ACCDBL register.

The ACC and ACCDBL registers can be cleared by the READCLRACC and subsequently read using the ACCREAD and ACCDBLREAD registers.

The ACC register can be separately cleared by the RDCLRACC and subsequently read using the ACCREAD registers.

The ACCDBL register can be separately cleared by the RDCLRDBL and subsequently read using the ACCDBLREAD registers.

The REPORTPER register allows automated capture of multiple samples before sending an event. When a non-null displacement is captured and accumulated, a REPORTRDY event is sent. When one or more double-displacements are captured and accumulated, a DBLRDY event is sent. The REPORTPER field in this register determines how many samples must be accumulated before the contents are evaluated and a REPORTRDY or DBLRDY event is sent.

Using the RDCLRACC task (manually sent upon receiving the event, or using the DBLRDY\_RDCLRACC shortcut), ACCREAD can then be read.

When a double transition has been captured and accumulated, a DBLRDY event is sent. Using the RDCLRDBL task (manually sent upon receiving the event, or using the DBLRDY\_RDCLRDBL shortcut), ACCDBLREAD can then be read.

### 6.18.5 Output/input pins

The QDEC uses a three-pin interface to the off-chip quadrature encoder.

These pins are acquired when the QDEC is enabled in the ENABLE register. The pins acquired by the QDEC cannot be written by the CPU, but they can still be read by the CPU.

The pin numbers used for the QDEC are selected using the PSEL.n registers.

### 6.18.6 Pin configuration

The Phase A, Phase B, and LED signals are mapped to physical pins according to the configuration specified in the PSEL.A, PSEL.B, and PSEL.LED registers respectively.

If the CONNECT field value 'Disconnected' is specified in any of these registers, the associated signal will not be connected to any physical pin. The PSEL.A, PSEL.B, and PSEL.LED registers and their configurations are only used as long as the QDEC is enabled, and retained only as long as the device is in ON mode.

When the peripheral is disabled, the pins will behave as regular GPIOs, and use the configuration in their respective OUT bit field and PIN\_CNF[n] register.

To secure correct behavior in the QDEC, the pins used by the QDEC must be configured in the GPIO peripheral as described in [GPIO configuration before enabling peripheral](#) on page 278 before enabling the QDEC. This configuration must be retained in the GPIO for the selected I/Os as long as the QDEC is enabled.

Only one peripheral can be assigned to drive a particular GPIO pin at a time. Failing to do so may result in unpredictable behavior.

| QDEC signal | QDEC pin                 | Direction | Output value   | Comment |
|-------------|--------------------------|-----------|----------------|---------|
| Phase A     | As specified in PSEL.A   | Input     | Not applicable |         |
| Phase B     | As specified in PSEL.B   | Input     | Not applicable |         |
| LED         | As specified in PSEL.LED | Input     | Not applicable |         |

Table 80: GPIO configuration before enabling peripheral

## 6.18.7 Registers

| Base address | Peripheral | Instance | Description        | Configuration |
|--------------|------------|----------|--------------------|---------------|
| 0x40012000   | QDEC       | QDEC     | Quadrature decoder |               |

Table 81: Instances

| Register         | Offset | Description   |
|------------------|--------|---|
| TASKS_START      | 0x000  | Task starting the quadrature decoder  |
| TASKS_STOP       | 0x004  | Task stopping the quadrature decoder  |
| TASKS_READLRACC  | 0x008  | Read and clear ACC and ACCDBL   |
| TASKS_RDCLRACC   | 0x00C  | Read and clear ACC  |
| TASKS_RDCLRDBL   | 0x010  | Read and clear ACCDBL   |
| EVENTS_SAMPLERDY | 0x100  | Event being generated for every new sample value written to the SAMPLE register   |
| EVENTS_REPORTRDY | 0x104  | Non-null report ready   |
| EVENTS_ACCOF     | 0x108  | ACC or ACCDBL register overflow   |
| EVENTS_DBLRDY    | 0x10C  | Double displacement(s) detected   |
| EVENTS_STOPPED   | 0x110  | QDEC has been stopped   |
| SHORTS           | 0x200  | Shortcuts between local events and tasks  |
| INTENSET         | 0x304  | Enable interrupt  |
| INTENCLR         | 0x308  | Disable interrupt   |
| ENABLE           | 0x500  | Enable the quadrature decoder   |
| LEDPOL           | 0x504  | LED output pin polarity   |
| SAMPLEPER        | 0x508  | Sample period   |
| SAMPLE           | 0x50C  | Motion sample value   |
| REPORTPER        | 0x510  | Number of samples to be taken before REPORTRDY and DBLRDY events can be generated |
| ACC              | 0x514  | Register accumulating the valid transitions                                       |
| ACCREAD          | 0x518  | Snapshot of the ACC register, updated by the READLRACC or RDCLRACC task           |
| PSEL.LED         | 0x51C  | Pin select for LED signal   |
| PSEL.A           | 0x520  | Pin select for A signal   |
| PSEL.B           | 0x524  | Pin select for B signal   |
| DBFEN            | 0x528  | Enable input debounce filters   |
| LEDPRE           | 0x540  | Time period the LED is switched ON prior to sampling                              |
| ACCDBL           | 0x544  | Register accumulating the number of detected double transitions                   |

| Register  | Offset | Description  |
|-----------|--------|--|
| ACCDLREAD | 0x548  | Snapshot of the ACCDBL, updated by the READCLRACC or RDCLRDBL task |

Table 82: Register overview

### 6.18.7.1 TASKS\_START

Address offset: 0x000

Task starting the quadrature decoder

When started, the SAMPLE register will be continuously updated at the rate given in the SAMPLEPER register.

| Bit number       | 31 30 29 28 27 26 25 24 23 22 21 20 19 18 17 16 15 14 13 12 11 10 9 8 7 6 5 4 3 2 1 0 |             |       |   |  |  |  |  |  |  |  |  |  |  |  |  |  |  |  |  |  |  |  |  |  |  |  |  |  |  |  |
|------------------|---|-------------|-------|---|--|--|--|--|--|--|--|--|--|--|--|--|--|--|--|--|--|--|--|--|--|--|--|--|--|--|--|
| ID               | A   |             |       |   |  |  |  |  |  |  |  |  |  |  |  |  |  |  |  |  |  |  |  |  |  |  |  |  |  |  |  |
| Reset 0x00000000 | 0               |             |       |   |  |  |  |  |  |  |  |  |  |  |  |  |  |  |  |  |  |  |  |  |  |  |  |  |  |  |  |
| ID               | Acce Field  | Value ID    | Value | Description   |  |  |  |  |  |  |  |  |  |  |  |  |  |  |  |  |  |  |  |  |  |  |  |  |  |  |  |
| A                | W   | TASKS_START |       | Task starting the quadrature decoder  |  |  |  |  |  |  |  |  |  |  |  |  |  |  |  |  |  |  |  |  |  |  |  |  |  |  |  |
|                  |   |             |       | When started, the SAMPLE register will be continuously updated at the rate given in the SAMPLEPER register. |  |  |  |  |  |  |  |  |  |  |  |  |  |  |  |  |  |  |  |  |  |  |  |  |  |  |  |
|                  |   | Trigger     | 1     | Trigger task  |  |  |  |  |  |  |  |  |  |  |  |  |  |  |  |  |  |  |  |  |  |  |  |  |  |  |  |

### 6.18.7.2 TASKS\_STOP

Address offset: 0x004

Task stopping the quadrature decoder

| Bit number       | 31 30 29 28 27 26 25 24 23 22 21 20 19 18 17 16 15 14 13 12 11 10 9 8 7 6 5 4 3 2 1 0 |            |       |                                      |  |  |  |  |  |  |  |  |  |  |  |  |  |  |  |  |  |  |  |  |  |  |  |  |  |  |  |
|------------------|---|------------|-------|--------------------------------------|--|--|--|--|--|--|--|--|--|--|--|--|--|--|--|--|--|--|--|--|--|--|--|--|--|--|--|
| ID               | A   |            |       |                                      |  |  |  |  |  |  |  |  |  |  |  |  |  |  |  |  |  |  |  |  |  |  |  |  |  |  |  |
| Reset 0x00000000 | 0               |            |       |                                      |  |  |  |  |  |  |  |  |  |  |  |  |  |  |  |  |  |  |  |  |  |  |  |  |  |  |  |
| ID               | Acce Field  | Value ID   | Value | Description                          |  |  |  |  |  |  |  |  |  |  |  |  |  |  |  |  |  |  |  |  |  |  |  |  |  |  |  |
| A                | W   | TASKS_STOP |       | Task stopping the quadrature decoder |  |  |  |  |  |  |  |  |  |  |  |  |  |  |  |  |  |  |  |  |  |  |  |  |  |  |  |
|                  |   | Trigger    | 1     | Trigger task                         |  |  |  |  |  |  |  |  |  |  |  |  |  |  |  |  |  |  |  |  |  |  |  |  |  |  |  |

### 6.18.7.3 TASKS\_READCLRACC

Address offset: 0x008

Read and clear ACC and ACCDBL

Task transferring the content of ACC to ACCREAD and the content of ACCDBL to ACCDBLREAD, and then clearing the ACC and ACCDBL registers. These read-and-clear operations will be done atomically.

| Bit number       | 31 30 29 28 27 26 25 24 23 22 21 20 19 18 17 16 15 14 13 12 11 10 9 8 7 6 5 4 3 2 1 0 |                  |       |   |  |  |  |  |  |  |  |  |  |  |  |  |  |  |  |  |  |  |  |  |  |  |  |  |  |  |  |
|------------------|---|------------------|-------|---|--|--|--|--|--|--|--|--|--|--|--|--|--|--|--|--|--|--|--|--|--|--|--|--|--|--|--|
| ID               | A   |                  |       |   |  |  |  |  |  |  |  |  |  |  |  |  |  |  |  |  |  |  |  |  |  |  |  |  |  |  |  |
| Reset 0x00000000 | 0               |                  |       |   |  |  |  |  |  |  |  |  |  |  |  |  |  |  |  |  |  |  |  |  |  |  |  |  |  |  |  |
| ID               | Acce Field  | Value ID         | Value | Description   |  |  |  |  |  |  |  |  |  |  |  |  |  |  |  |  |  |  |  |  |  |  |  |  |  |  |  |
| A                | W   | TASKS_READCLRACC |       | Read and clear ACC and ACCDBL   |  |  |  |  |  |  |  |  |  |  |  |  |  |  |  |  |  |  |  |  |  |  |  |  |  |  |  |
|                  |   |                  |       | Task transferring the content of ACC to ACCREAD and the content of ACCDBL to ACCDBLREAD, and then clearing the ACC and ACCDBL registers. These read-and-clear operations will be done atomically. |  |  |  |  |  |  |  |  |  |  |  |  |  |  |  |  |  |  |  |  |  |  |  |  |  |  |  |
|                  |   | Trigger          | 1     | Trigger task  |  |  |  |  |  |  |  |  |  |  |  |  |  |  |  |  |  |  |  |  |  |  |  |  |  |  |  |

### 6.18.7.4 TASKS\_RDCLRACC

Address offset: 0x00C

Read and clear ACC

Task transferring the content of ACC to ACCREAD, and then clearing the ACC register. This read-and-clear operation will be done atomically.

| Bit number       | 31 30 29 28 27 26 25 24 23 22 21 20 19 18 17 16 15 14 13 12 11 10 9 8 7 6 5 4 3 2 1 0 |                |       |   |  |  |  |  |  |  |  |  |  |  |  |  |  |  |  |  |  |  |  |  |  |  |  |  |  |  |  |
|------------------|---|----------------|-------|---|--|--|--|--|--|--|--|--|--|--|--|--|--|--|--|--|--|--|--|--|--|--|--|--|--|--|--|
| ID               | A   |                |       |   |  |  |  |  |  |  |  |  |  |  |  |  |  |  |  |  |  |  |  |  |  |  |  |  |  |  |  |
| Reset 0x00000000 | 0             |                |       |   |  |  |  |  |  |  |  |  |  |  |  |  |  |  |  |  |  |  |  |  |  |  |  |  |  |  |  |
| ID               | Acce Field  | Value ID       | Value | Description   |  |  |  |  |  |  |  |  |  |  |  |  |  |  |  |  |  |  |  |  |  |  |  |  |  |  |  |
| A                | W   | TASKS_RDCLRACC |       | Read and clear ACC  |  |  |  |  |  |  |  |  |  |  |  |  |  |  |  |  |  |  |  |  |  |  |  |  |  |  |  |
|                  |   |                |       | Task transferring the content of ACC to ACCREAD, and then clearing the ACC register. This read-and-clear operation will be done atomically. |  |  |  |  |  |  |  |  |  |  |  |  |  |  |  |  |  |  |  |  |  |  |  |  |  |  |  |
|                  |   | Trigger        | 1     | Trigger task  |  |  |  |  |  |  |  |  |  |  |  |  |  |  |  |  |  |  |  |  |  |  |  |  |  |  |  |

### 6.18.7.5 TASKS\_RDCLRDBL

Address offset: 0x010

Read and clear ACCDBL

Task transferring the content of ACCDBL to ACCDBLREAD, and then clearing the ACCDBL register. This read-and-clear operation will be done atomically.

| Bit number       | 31 30 29 28 27 26 25 24 23 22 21 20 19 18 17 16 15 14 13 12 11 10 9 8 7 6 5 4 3 2 1 0 |                |       |  |  |  |  |  |  |  |  |  |  |  |  |  |  |  |  |  |  |  |  |  |  |  |  |  |  |  |  |
|------------------|---|----------------|-------|--|--|--|--|--|--|--|--|--|--|--|--|--|--|--|--|--|--|--|--|--|--|--|--|--|--|--|--|
| ID               | A   |                |       |  |  |  |  |  |  |  |  |  |  |  |  |  |  |  |  |  |  |  |  |  |  |  |  |  |  |  |  |
| Reset 0x00000000 | 0             |                |       |  |  |  |  |  |  |  |  |  |  |  |  |  |  |  |  |  |  |  |  |  |  |  |  |  |  |  |  |
| ID               | Acce Field  | Value ID       | Value | Description  |  |  |  |  |  |  |  |  |  |  |  |  |  |  |  |  |  |  |  |  |  |  |  |  |  |  |  |
| A                | W   | TASKS_RDCLRDBL |       | Read and clear ACCDBL  |  |  |  |  |  |  |  |  |  |  |  |  |  |  |  |  |  |  |  |  |  |  |  |  |  |  |  |
|                  |   |                |       | Task transferring the content of ACCDBL to ACCDBLREAD, and then clearing the ACCDBL register. This read-and-clear operation will be done atomically. |  |  |  |  |  |  |  |  |  |  |  |  |  |  |  |  |  |  |  |  |  |  |  |  |  |  |  |
|                  |   | Trigger        | 1     | Trigger task   |  |  |  |  |  |  |  |  |  |  |  |  |  |  |  |  |  |  |  |  |  |  |  |  |  |  |  |

### 6.18.7.6 EVENTS\_SAMPLERDY

Address offset: 0x100

Event being generated for every new sample value written to the SAMPLE register

| Bit number       | 31 30 29 28 27 26 25 24 23 22 21 20 19 18 17 16 15 14 13 12 11 10 9 8 7 6 5 4 3 2 1 0 |                  |       |   |  |  |  |  |  |  |  |  |  |  |  |  |  |  |  |  |  |  |  |  |  |  |  |  |  |  |  |
|------------------|---|------------------|-------|---|--|--|--|--|--|--|--|--|--|--|--|--|--|--|--|--|--|--|--|--|--|--|--|--|--|--|--|
| ID               | A   |                  |       |   |  |  |  |  |  |  |  |  |  |  |  |  |  |  |  |  |  |  |  |  |  |  |  |  |  |  |  |
| Reset 0x00000000 | 0             |                  |       |   |  |  |  |  |  |  |  |  |  |  |  |  |  |  |  |  |  |  |  |  |  |  |  |  |  |  |  |
| ID               | Acce Field  | Value ID         | Value | Description   |  |  |  |  |  |  |  |  |  |  |  |  |  |  |  |  |  |  |  |  |  |  |  |  |  |  |  |
| A                | RW  | EVENTS_SAMPLERDY |       | Event being generated for every new sample value written to the SAMPLE register |  |  |  |  |  |  |  |  |  |  |  |  |  |  |  |  |  |  |  |  |  |  |  |  |  |  |  |
|                  |   | NotGenerated     | 0     | Event not generated   |  |  |  |  |  |  |  |  |  |  |  |  |  |  |  |  |  |  |  |  |  |  |  |  |  |  |  |
|                  |   | Generated        | 1     | Event generated   |  |  |  |  |  |  |  |  |  |  |  |  |  |  |  |  |  |  |  |  |  |  |  |  |  |  |  |

### 6.18.7.7 EVENTS\_REPORTRDY

Address offset: 0x104

### Non-null report ready

Event generated when REPORTPER number of samples has been accumulated in the ACC register and the content of the ACC register is not equal to 0. (Thus, this event is only generated if a motion is detected since the previous clearing of the ACC register).

| Bit number | 31 30 29 28 27 26 25 24 23 22 21 20 19 18 17 16 15 14 13 12 11 10 9 8 7 6 5 4 3 2 1 0 |                  |       |  |  |  |  |  |  |  |  |  |  |  |  |  |  |  |  |  |  |  |  |  |  |  |  |  |  |  |  |
|------------|---|------------------|-------|--|--|--|--|--|--|--|--|--|--|--|--|--|--|--|--|--|--|--|--|--|--|--|--|--|--|--|--|
| ID         | A   |                  |       |  |  |  |  |  |  |  |  |  |  |  |  |  |  |  |  |  |  |  |  |  |  |  |  |  |  |  |  |
| Reset      | 0x00000000  |                  |       |  |  |  |  |  |  |  |  |  |  |  |  |  |  |  |  |  |  |  |  |  |  |  |  |  |  |  |  |
| 0          | 0                       |                  |       |  |  |  |  |  |  |  |  |  |  |  |  |  |  |  |  |  |  |  |  |  |  |  |  |  |  |  |  |
| ID         | Acce Field  | Value ID         | Value | Description  |  |  |  |  |  |  |  |  |  |  |  |  |  |  |  |  |  |  |  |  |  |  |  |  |  |  |  |
| A          | RW  | EVENTS_REPORTRDY |       | Non-null report ready  |  |  |  |  |  |  |  |  |  |  |  |  |  |  |  |  |  |  |  |  |  |  |  |  |  |  |  |
|            |   |                  |       | Event generated when REPORTPER number of samples has been accumulated in the ACC register and the content of the ACC register is not equal to 0. (Thus, this event is only generated if a motion is detected since the previous clearing of the ACC register). |  |  |  |  |  |  |  |  |  |  |  |  |  |  |  |  |  |  |  |  |  |  |  |  |  |  |  |
|            |   | NotGenerated     | 0     | Event not generated  |  |  |  |  |  |  |  |  |  |  |  |  |  |  |  |  |  |  |  |  |  |  |  |  |  |  |  |
|            |   | Generated        | 1     | Event generated  |  |  |  |  |  |  |  |  |  |  |  |  |  |  |  |  |  |  |  |  |  |  |  |  |  |  |  |

### 6.18.7.8 EVENTS\_ACCOF

Address offset: 0x108

ACC or ACCDBL register overflow

| Bit number | 31 30 29 28 27 26 25 24 23 22 21 20 19 18 17 16 15 14 13 12 11 10 9 8 7 6 5 4 3 2 1 0 |              |       |                                 |  |  |  |  |  |  |  |  |  |  |  |  |  |  |  |  |  |  |  |  |  |  |  |  |  |  |  |
|------------|---|--------------|-------|---------------------------------|--|--|--|--|--|--|--|--|--|--|--|--|--|--|--|--|--|--|--|--|--|--|--|--|--|--|--|
| ID         | A   |              |       |                                 |  |  |  |  |  |  |  |  |  |  |  |  |  |  |  |  |  |  |  |  |  |  |  |  |  |  |  |
| Reset      | 0x00000000  |              |       |                                 |  |  |  |  |  |  |  |  |  |  |  |  |  |  |  |  |  |  |  |  |  |  |  |  |  |  |  |
| 0          | 0                       |              |       |                                 |  |  |  |  |  |  |  |  |  |  |  |  |  |  |  |  |  |  |  |  |  |  |  |  |  |  |  |
| ID         | Acce Field  | Value ID     | Value | Description                     |  |  |  |  |  |  |  |  |  |  |  |  |  |  |  |  |  |  |  |  |  |  |  |  |  |  |  |
| A          | RW  | EVENTS_ACCOF |       | ACC or ACCDBL register overflow |  |  |  |  |  |  |  |  |  |  |  |  |  |  |  |  |  |  |  |  |  |  |  |  |  |  |  |
|            |   | NotGenerated | 0     | Event not generated             |  |  |  |  |  |  |  |  |  |  |  |  |  |  |  |  |  |  |  |  |  |  |  |  |  |  |  |
|            |   | Generated    | 1     | Event generated                 |  |  |  |  |  |  |  |  |  |  |  |  |  |  |  |  |  |  |  |  |  |  |  |  |  |  |  |

### 6.18.7.9 EVENTS\_DBLRDY

Address offset: 0x10C

Double displacement(s) detected

Event generated when REPORTPER number of samples has been accumulated and the content of the ACCDBL register is not equal to 0. (Thus, this event is only generated if a double transition is detected since the previous clearing of the ACCDBL register).

| Bit number       | 31 30 29 28 27 26 25 24 23 22 21 20 19 18 17 16 15 14 13 12 11 10 9 8 7 6 5 4 3 2 1 0 |               |       |   |  |  |  |  |  |  |  |  |  |  |  |  |  |  |  |  |  |  |  |  |  |  |  |  |  |  |  |
|------------------|---|---------------|-------|---|--|--|--|--|--|--|--|--|--|--|--|--|--|--|--|--|--|--|--|--|--|--|--|--|--|--|--|
| ID               | A   |               |       |   |  |  |  |  |  |  |  |  |  |  |  |  |  |  |  |  |  |  |  |  |  |  |  |  |  |  |  |
| Reset 0x00000000 | 0               |               |       |   |  |  |  |  |  |  |  |  |  |  |  |  |  |  |  |  |  |  |  |  |  |  |  |  |  |  |  |
| ID               | Acce Field  | Value ID      | Value | Description   |  |  |  |  |  |  |  |  |  |  |  |  |  |  |  |  |  |  |  |  |  |  |  |  |  |  |  |
| A                | RW  | EVENTS_DBLRDY |       | Double displacement(s) detected   |  |  |  |  |  |  |  |  |  |  |  |  |  |  |  |  |  |  |  |  |  |  |  |  |  |  |  |
|                  |   |               |       | Event generated when REPORTPER number of samples has been accumulated and the content of the ACCDBL register is not equal to 0. (Thus, this event is only generated if a double transition is detected since the previous clearing of the ACCDBL register). |  |  |  |  |  |  |  |  |  |  |  |  |  |  |  |  |  |  |  |  |  |  |  |  |  |  |  |
|                  |   | NotGenerated  | 0     | Event not generated   |  |  |  |  |  |  |  |  |  |  |  |  |  |  |  |  |  |  |  |  |  |  |  |  |  |  |  |
|                  |   | Generated     | 1     | Event generated   |  |  |  |  |  |  |  |  |  |  |  |  |  |  |  |  |  |  |  |  |  |  |  |  |  |  |  |

### 6.18.7.10 EVENTS\_STOPPED

Address offset: 0x110

QDEC has been stopped

| Bit number       | 31 30 29 28 27 26 25 24 23 22 21 20 19 18 17 16 15 14 13 12 11 10 9 8 7 6 5 4 3 2 1 0 |                |       |                       |  |  |  |  |  |  |  |  |  |  |  |  |  |  |  |  |  |  |  |  |  |  |  |  |  |  |  |
|------------------|---|----------------|-------|-----------------------|--|--|--|--|--|--|--|--|--|--|--|--|--|--|--|--|--|--|--|--|--|--|--|--|--|--|--|
| ID               | A   |                |       |                       |  |  |  |  |  |  |  |  |  |  |  |  |  |  |  |  |  |  |  |  |  |  |  |  |  |  |  |
| Reset 0x00000000 | 0               |                |       |                       |  |  |  |  |  |  |  |  |  |  |  |  |  |  |  |  |  |  |  |  |  |  |  |  |  |  |  |
| ID               | Acce Field  | Value ID       | Value | Description           |  |  |  |  |  |  |  |  |  |  |  |  |  |  |  |  |  |  |  |  |  |  |  |  |  |  |  |
| A                | RW  | EVENTS_STOPPED |       | QDEC has been stopped |  |  |  |  |  |  |  |  |  |  |  |  |  |  |  |  |  |  |  |  |  |  |  |  |  |  |  |
|                  |   | NotGenerated   | 0     | Event not generated   |  |  |  |  |  |  |  |  |  |  |  |  |  |  |  |  |  |  |  |  |  |  |  |  |  |  |  |
|                  |   | Generated      | 1     | Event generated       |  |  |  |  |  |  |  |  |  |  |  |  |  |  |  |  |  |  |  |  |  |  |  |  |  |  |  |

### 6.18.7.11 SHORTS

Address offset: 0x200

Shortcuts between local events and tasks

| Bit number       | 31 30 29 28 27 26 25 24 23 22 21 20 19 18 17 16 15 14 13 12 11 10 9 8 7 6 5 4 3 2 1 0 |                      |       |  |  |  |  |  |  |  |  |  |  |  |  |  |  |  |  |  |  |  |  |  |  |  |  |  |               |  |  |
|------------------|---|----------------------|-------|--|--|--|--|--|--|--|--|--|--|--|--|--|--|--|--|--|--|--|--|--|--|--|--|--|---------------|--|--|
| ID               |   |                      |       |  |  |  |  |  |  |  |  |  |  |  |  |  |  |  |  |  |  |  |  |  |  |  |  |  | G F E D C B A |  |  |
| Reset 0x00000000 | 0               |                      |       |  |  |  |  |  |  |  |  |  |  |  |  |  |  |  |  |  |  |  |  |  |  |  |  |  |               |  |  |
| ID               | Acce Field  | Value ID             | Value | Description  |  |  |  |  |  |  |  |  |  |  |  |  |  |  |  |  |  |  |  |  |  |  |  |  |               |  |  |
| A                | RW  | REPORTRDY_READCLRACC |       | Shortcut between event <a href="#">REPORTRDY</a> and task <a href="#">READCLRACC</a> |  |  |  |  |  |  |  |  |  |  |  |  |  |  |  |  |  |  |  |  |  |  |  |  |               |  |  |
|                  |   | Disabled             | 0     | Disable shortcut   |  |  |  |  |  |  |  |  |  |  |  |  |  |  |  |  |  |  |  |  |  |  |  |  |               |  |  |
|                  |   | Enabled              | 1     | Enable shortcut  |  |  |  |  |  |  |  |  |  |  |  |  |  |  |  |  |  |  |  |  |  |  |  |  |               |  |  |
| B                | RW  | SAMPLERDY_STOP       |       | Shortcut between event <a href="#">SAMPLERDY</a> and task <a href="#">STOP</a>       |  |  |  |  |  |  |  |  |  |  |  |  |  |  |  |  |  |  |  |  |  |  |  |  |               |  |  |
|                  |   | Disabled             | 0     | Disable shortcut   |  |  |  |  |  |  |  |  |  |  |  |  |  |  |  |  |  |  |  |  |  |  |  |  |               |  |  |
|                  |   | Enabled              | 1     | Enable shortcut  |  |  |  |  |  |  |  |  |  |  |  |  |  |  |  |  |  |  |  |  |  |  |  |  |               |  |  |
| C                | RW  | REPORTRDY_RDCLRACC   |       | Shortcut between event <a href="#">REPORTRDY</a> and task <a href="#">RDCLRACC</a>   |  |  |  |  |  |  |  |  |  |  |  |  |  |  |  |  |  |  |  |  |  |  |  |  |               |  |  |
|                  |   | Disabled             | 0     | Disable shortcut   |  |  |  |  |  |  |  |  |  |  |  |  |  |  |  |  |  |  |  |  |  |  |  |  |               |  |  |
|                  |   | Enabled              | 1     | Enable shortcut  |  |  |  |  |  |  |  |  |  |  |  |  |  |  |  |  |  |  |  |  |  |  |  |  |               |  |  |
| D                | RW  | REPORTRDY_STOP       |       | Shortcut between event <a href="#">REPORTRDY</a> and task <a href="#">STOP</a>       |  |  |  |  |  |  |  |  |  |  |  |  |  |  |  |  |  |  |  |  |  |  |  |  |               |  |  |
|                  |   | Disabled             | 0     | Disable shortcut   |  |  |  |  |  |  |  |  |  |  |  |  |  |  |  |  |  |  |  |  |  |  |  |  |               |  |  |
|                  |   | Enabled              | 1     | Enable shortcut  |  |  |  |  |  |  |  |  |  |  |  |  |  |  |  |  |  |  |  |  |  |  |  |  |               |  |  |
| E                | RW  | DBLRDY_RDCLRDBL      |       | Shortcut between event <a href="#">DBLRDY</a> and task <a href="#">RDCLRDBL</a>      |  |  |  |  |  |  |  |  |  |  |  |  |  |  |  |  |  |  |  |  |  |  |  |  |               |  |  |
|                  |   | Disabled             | 0     | Disable shortcut   |  |  |  |  |  |  |  |  |  |  |  |  |  |  |  |  |  |  |  |  |  |  |  |  |               |  |  |
|                  |   | Enabled              | 1     | Enable shortcut  |  |  |  |  |  |  |  |  |  |  |  |  |  |  |  |  |  |  |  |  |  |  |  |  |               |  |  |
| F                | RW  | DBLRDY_STOP          |       | Shortcut between event <a href="#">DBLRDY</a> and task <a href="#">STOP</a>          |  |  |  |  |  |  |  |  |  |  |  |  |  |  |  |  |  |  |  |  |  |  |  |  |               |  |  |
|                  |   | Disabled             | 0     | Disable shortcut   |  |  |  |  |  |  |  |  |  |  |  |  |  |  |  |  |  |  |  |  |  |  |  |  |               |  |  |

| Bit number              | 31 30 29 28 27 26 25 24 23 22 21 20 19 18 17 16 15 14 13 12 11 10 9 8 7 6 5 4 3 2 1 0 |          |       |  |  |  |  |  |  |  |  |  |  |  |  |  |  |  |  |  |  |  |  |  |  |  |  |  |  |  |   |   |   |   |   |   |   |
|-------------------------|---|----------|-------|--|--|--|--|--|--|--|--|--|--|--|--|--|--|--|--|--|--|--|--|--|--|--|--|--|--|--|---|---|---|---|---|---|---|
| ID                      |   |          |       |  |  |  |  |  |  |  |  |  |  |  |  |  |  |  |  |  |  |  |  |  |  |  |  |  |  |  | G | F | E | D | C | B | A |
| <b>Reset 0x00000000</b> | <b>0 0</b>    |          |       |  |  |  |  |  |  |  |  |  |  |  |  |  |  |  |  |  |  |  |  |  |  |  |  |  |  |  |   |   |   |   |   |   |   |
| ID                      | Acce Field  | Value ID | Value | Description  |  |  |  |  |  |  |  |  |  |  |  |  |  |  |  |  |  |  |  |  |  |  |  |  |  |  |   |   |   |   |   |   |   |
|                         |   | Enabled  | 1     | Enable shortcut  |  |  |  |  |  |  |  |  |  |  |  |  |  |  |  |  |  |  |  |  |  |  |  |  |  |  |   |   |   |   |   |   |   |
| G                       | RW SAMPLERDY_READCLRACC   |          |       | Shortcut between event <a href="#">SAMPLERDY</a> and task <a href="#">READCLRACC</a> |  |  |  |  |  |  |  |  |  |  |  |  |  |  |  |  |  |  |  |  |  |  |  |  |  |  |   |   |   |   |   |   |   |
|                         |   | Disabled | 0     | Disable shortcut   |  |  |  |  |  |  |  |  |  |  |  |  |  |  |  |  |  |  |  |  |  |  |  |  |  |  |   |   |   |   |   |   |   |
|                         |   | Enabled  | 1     | Enable shortcut  |  |  |  |  |  |  |  |  |  |  |  |  |  |  |  |  |  |  |  |  |  |  |  |  |  |  |   |   |   |   |   |   |   |

### 6.18.7.12 INTENSET

Address offset: 0x304

Enable interrupt

| Bit number              | 31 30 29 28 27 26 25 24 23 22 21 20 19 18 17 16 15 14 13 12 11 10 9 8 7 6 5 4 3 2 1 0 |          |       |  |  |  |  |  |  |  |  |  |  |  |  |  |  |  |  |  |  |  |  |  |  |  |  |  |  |  |   |   |   |   |   |
|-------------------------|---|----------|-------|--|--|--|--|--|--|--|--|--|--|--|--|--|--|--|--|--|--|--|--|--|--|--|--|--|--|--|---|---|---|---|---|
| ID                      |   |          |       |  |  |  |  |  |  |  |  |  |  |  |  |  |  |  |  |  |  |  |  |  |  |  |  |  |  |  | E | D | C | B | A |
| <b>Reset 0x00000000</b> | <b>0 0</b>    |          |       |  |  |  |  |  |  |  |  |  |  |  |  |  |  |  |  |  |  |  |  |  |  |  |  |  |  |  |   |   |   |   |   |
| ID                      | Acce Field  | Value ID | Value | Description  |  |  |  |  |  |  |  |  |  |  |  |  |  |  |  |  |  |  |  |  |  |  |  |  |  |  |   |   |   |   |   |
| A                       | RW SAMPLERDY  |          |       | Write '1' to enable interrupt for event <a href="#">SAMPLERDY</a>  |  |  |  |  |  |  |  |  |  |  |  |  |  |  |  |  |  |  |  |  |  |  |  |  |  |  |   |   |   |   |   |
|                         |   | Set      | 1     | Enable   |  |  |  |  |  |  |  |  |  |  |  |  |  |  |  |  |  |  |  |  |  |  |  |  |  |  |   |   |   |   |   |
|                         |   | Disabled | 0     | Read: Disabled   |  |  |  |  |  |  |  |  |  |  |  |  |  |  |  |  |  |  |  |  |  |  |  |  |  |  |   |   |   |   |   |
|                         |   | Enabled  | 1     | Read: Enabled  |  |  |  |  |  |  |  |  |  |  |  |  |  |  |  |  |  |  |  |  |  |  |  |  |  |  |   |   |   |   |   |
| B                       | RW REPORTRDY  |          |       | Write '1' to enable interrupt for event <a href="#">REPORTRDY</a>  |  |  |  |  |  |  |  |  |  |  |  |  |  |  |  |  |  |  |  |  |  |  |  |  |  |  |   |   |   |   |   |
|                         |   |          |       | Event generated when REPORTPER number of samples has been accumulated in the ACC register and the content of the ACC register is not equal to 0. (Thus, this event is only generated if a motion is detected since the previous clearing of the ACC register). |  |  |  |  |  |  |  |  |  |  |  |  |  |  |  |  |  |  |  |  |  |  |  |  |  |  |   |   |   |   |   |
|                         |   | Set      | 1     | Enable   |  |  |  |  |  |  |  |  |  |  |  |  |  |  |  |  |  |  |  |  |  |  |  |  |  |  |   |   |   |   |   |
|                         |   | Disabled | 0     | Read: Disabled   |  |  |  |  |  |  |  |  |  |  |  |  |  |  |  |  |  |  |  |  |  |  |  |  |  |  |   |   |   |   |   |
|                         |   | Enabled  | 1     | Read: Enabled  |  |  |  |  |  |  |  |  |  |  |  |  |  |  |  |  |  |  |  |  |  |  |  |  |  |  |   |   |   |   |   |
| C                       | RW ACCOF  |          |       | Write '1' to enable interrupt for event <a href="#">ACCOF</a>  |  |  |  |  |  |  |  |  |  |  |  |  |  |  |  |  |  |  |  |  |  |  |  |  |  |  |   |   |   |   |   |
|                         |   | Set      | 1     | Enable   |  |  |  |  |  |  |  |  |  |  |  |  |  |  |  |  |  |  |  |  |  |  |  |  |  |  |   |   |   |   |   |
|                         |   | Disabled | 0     | Read: Disabled   |  |  |  |  |  |  |  |  |  |  |  |  |  |  |  |  |  |  |  |  |  |  |  |  |  |  |   |   |   |   |   |
|                         |   | Enabled  | 1     | Read: Enabled  |  |  |  |  |  |  |  |  |  |  |  |  |  |  |  |  |  |  |  |  |  |  |  |  |  |  |   |   |   |   |   |
| D                       | RW DBLRDY   |          |       | Write '1' to enable interrupt for event <a href="#">DBLRDY</a>   |  |  |  |  |  |  |  |  |  |  |  |  |  |  |  |  |  |  |  |  |  |  |  |  |  |  |   |   |   |   |   |
|                         |   |          |       | Event generated when REPORTPER number of samples has been accumulated and the content of the ACCDBL register is not equal to 0. (Thus, this event is only generated if a double transition is detected since the previous clearing of the ACCDBL register).    |  |  |  |  |  |  |  |  |  |  |  |  |  |  |  |  |  |  |  |  |  |  |  |  |  |  |   |   |   |   |   |
|                         |   | Set      | 1     | Enable   |  |  |  |  |  |  |  |  |  |  |  |  |  |  |  |  |  |  |  |  |  |  |  |  |  |  |   |   |   |   |   |
|                         |   | Disabled | 0     | Read: Disabled   |  |  |  |  |  |  |  |  |  |  |  |  |  |  |  |  |  |  |  |  |  |  |  |  |  |  |   |   |   |   |   |
|                         |   | Enabled  | 1     | Read: Enabled  |  |  |  |  |  |  |  |  |  |  |  |  |  |  |  |  |  |  |  |  |  |  |  |  |  |  |   |   |   |   |   |
| E                       | RW STOPPED  |          |       | Write '1' to enable interrupt for event <a href="#">STOPPED</a>  |  |  |  |  |  |  |  |  |  |  |  |  |  |  |  |  |  |  |  |  |  |  |  |  |  |  |   |   |   |   |   |
|                         |   | Set      | 1     | Enable   |  |  |  |  |  |  |  |  |  |  |  |  |  |  |  |  |  |  |  |  |  |  |  |  |  |  |   |   |   |   |   |
|                         |   | Disabled | 0     | Read: Disabled   |  |  |  |  |  |  |  |  |  |  |  |  |  |  |  |  |  |  |  |  |  |  |  |  |  |  |   |   |   |   |   |
|                         |   | Enabled  | 1     | Read: Enabled  |  |  |  |  |  |  |  |  |  |  |  |  |  |  |  |  |  |  |  |  |  |  |  |  |  |  |   |   |   |   |   |

### 6.18.7.13 INTENCLR

Address offset: 0x308

Disable interrupt

| Bit number       | 31 30 29 28 27 26 25 24 23 22 21 20 19 18 17 16 15 14 13 12 11 10 9 8 7 6 5 4 3 2 1 0 |          |       |  |  |  |  |  |  |  |  |  |  |  |  |  |  |  |  |  |  |  |  |  |  |  |  |  |  |  |           |
|------------------|---|----------|-------|--|--|--|--|--|--|--|--|--|--|--|--|--|--|--|--|--|--|--|--|--|--|--|--|--|--|--|-----------|
| ID               |   |          |       |  |  |  |  |  |  |  |  |  |  |  |  |  |  |  |  |  |  |  |  |  |  |  |  |  |  |  | E D C B A |
| Reset 0x00000000 | 0             |          |       |  |  |  |  |  |  |  |  |  |  |  |  |  |  |  |  |  |  |  |  |  |  |  |  |  |  |  |           |
| ID               | Acce Field  | Value ID | Value | Description  |  |  |  |  |  |  |  |  |  |  |  |  |  |  |  |  |  |  |  |  |  |  |  |  |  |  |           |
| A                | RW SAMPLERDY  |          |       | Write '1' to disable interrupt for event <a href="#">SAMPLERDY</a>   |  |  |  |  |  |  |  |  |  |  |  |  |  |  |  |  |  |  |  |  |  |  |  |  |  |  |           |
|                  |   | Clear    | 1     | Disable  |  |  |  |  |  |  |  |  |  |  |  |  |  |  |  |  |  |  |  |  |  |  |  |  |  |  |           |
|                  |   | Disabled | 0     | Read: Disabled   |  |  |  |  |  |  |  |  |  |  |  |  |  |  |  |  |  |  |  |  |  |  |  |  |  |  |           |
|                  |   | Enabled  | 1     | Read: Enabled  |  |  |  |  |  |  |  |  |  |  |  |  |  |  |  |  |  |  |  |  |  |  |  |  |  |  |           |
| B                | RW REPORTRDY  |          |       | Write '1' to disable interrupt for event <a href="#">REPORTRDY</a>   |  |  |  |  |  |  |  |  |  |  |  |  |  |  |  |  |  |  |  |  |  |  |  |  |  |  |           |
|                  |   |          |       | Event generated when REPORTPER number of samples has been accumulated in the ACC register and the content of the ACC register is not equal to 0. (Thus, this event is only generated if a motion is detected since the previous clearing of the ACC register). |  |  |  |  |  |  |  |  |  |  |  |  |  |  |  |  |  |  |  |  |  |  |  |  |  |  |           |
|                  |   | Clear    | 1     | Disable  |  |  |  |  |  |  |  |  |  |  |  |  |  |  |  |  |  |  |  |  |  |  |  |  |  |  |           |
|                  |   | Disabled | 0     | Read: Disabled   |  |  |  |  |  |  |  |  |  |  |  |  |  |  |  |  |  |  |  |  |  |  |  |  |  |  |           |
|                  |   | Enabled  | 1     | Read: Enabled  |  |  |  |  |  |  |  |  |  |  |  |  |  |  |  |  |  |  |  |  |  |  |  |  |  |  |           |
| C                | RW ACCOF  |          |       | Write '1' to disable interrupt for event <a href="#">ACCOF</a>   |  |  |  |  |  |  |  |  |  |  |  |  |  |  |  |  |  |  |  |  |  |  |  |  |  |  |           |
|                  |   | Clear    | 1     | Disable  |  |  |  |  |  |  |  |  |  |  |  |  |  |  |  |  |  |  |  |  |  |  |  |  |  |  |           |
|                  |   | Disabled | 0     | Read: Disabled   |  |  |  |  |  |  |  |  |  |  |  |  |  |  |  |  |  |  |  |  |  |  |  |  |  |  |           |
|                  |   | Enabled  | 1     | Read: Enabled  |  |  |  |  |  |  |  |  |  |  |  |  |  |  |  |  |  |  |  |  |  |  |  |  |  |  |           |
| D                | RW DBLRDY   |          |       | Write '1' to disable interrupt for event <a href="#">DBLRDY</a>  |  |  |  |  |  |  |  |  |  |  |  |  |  |  |  |  |  |  |  |  |  |  |  |  |  |  |           |
|                  |   |          |       | Event generated when REPORTPER number of samples has been accumulated and the content of the ACCDBL register is not equal to 0. (Thus, this event is only generated if a double transition is detected since the previous clearing of the ACCDBL register).    |  |  |  |  |  |  |  |  |  |  |  |  |  |  |  |  |  |  |  |  |  |  |  |  |  |  |           |
|                  |   | Clear    | 1     | Disable  |  |  |  |  |  |  |  |  |  |  |  |  |  |  |  |  |  |  |  |  |  |  |  |  |  |  |           |
|                  |   | Disabled | 0     | Read: Disabled   |  |  |  |  |  |  |  |  |  |  |  |  |  |  |  |  |  |  |  |  |  |  |  |  |  |  |           |
|                  |   | Enabled  | 1     | Read: Enabled  |  |  |  |  |  |  |  |  |  |  |  |  |  |  |  |  |  |  |  |  |  |  |  |  |  |  |           |
| E                | RW STOPPED  |          |       | Write '1' to disable interrupt for event <a href="#">STOPPED</a>   |  |  |  |  |  |  |  |  |  |  |  |  |  |  |  |  |  |  |  |  |  |  |  |  |  |  |           |
|                  |   | Clear    | 1     | Disable  |  |  |  |  |  |  |  |  |  |  |  |  |  |  |  |  |  |  |  |  |  |  |  |  |  |  |           |
|                  |   | Disabled | 0     | Read: Disabled   |  |  |  |  |  |  |  |  |  |  |  |  |  |  |  |  |  |  |  |  |  |  |  |  |  |  |           |
|                  |   | Enabled  | 1     | Read: Enabled  |  |  |  |  |  |  |  |  |  |  |  |  |  |  |  |  |  |  |  |  |  |  |  |  |  |  |           |

### 6.18.7.14 ENABLE

Address offset: 0x500

Enable the quadrature decoder

| Bit number       | 31 30 29 28 27 26 25 24 23 22 21 20 19 18 17 16 15 14 13 12 11 10 9 8 7 6 5 4 3 2 1 0 |          |       |  |  |  |  |  |  |  |  |  |  |  |  |  |  |  |  |  |  |  |  |  |  |  |  |  |  |  |   |
|------------------|---|----------|-------|--|--|--|--|--|--|--|--|--|--|--|--|--|--|--|--|--|--|--|--|--|--|--|--|--|--|--|---|
| ID               |   |          |       |  |  |  |  |  |  |  |  |  |  |  |  |  |  |  |  |  |  |  |  |  |  |  |  |  |  |  | A |
| Reset 0x00000000 | 0             |          |       |  |  |  |  |  |  |  |  |  |  |  |  |  |  |  |  |  |  |  |  |  |  |  |  |  |  |  |   |
| ID               | Acce Field  | Value ID | Value | Description  |  |  |  |  |  |  |  |  |  |  |  |  |  |  |  |  |  |  |  |  |  |  |  |  |  |  |   |
| A                | RW ENABLE   |          |       | Enable or disable the quadrature decoder   |  |  |  |  |  |  |  |  |  |  |  |  |  |  |  |  |  |  |  |  |  |  |  |  |  |  |   |
|                  |   |          |       | When enabled the decoder pins will be active. When disabled the quadrature decoder pins are not active and can be used as GPIO . |  |  |  |  |  |  |  |  |  |  |  |  |  |  |  |  |  |  |  |  |  |  |  |  |  |  |   |
|                  |   | Disabled | 0     | Disable  |  |  |  |  |  |  |  |  |  |  |  |  |  |  |  |  |  |  |  |  |  |  |  |  |  |  |   |
|                  |   | Enabled  | 1     | Enable   |  |  |  |  |  |  |  |  |  |  |  |  |  |  |  |  |  |  |  |  |  |  |  |  |  |  |   |



### 6.18.7.15 LEDPOL

Address offset: 0x504

LED output pin polarity

| Bit number       | 31         | 30         | 29    | 28                            | 27 | 26 | 25 | 24 | 23 | 22 | 21 | 20 | 19 | 18 | 17 | 16 | 15 | 14 | 13 | 12 | 11 | 10 | 9 | 8 | 7 | 6 | 5 | 4 | 3 | 2 | 1 | 0 |
|------------------|------------|------------|-------|-------------------------------|----|----|----|----|----|----|----|----|----|----|----|----|----|----|----|----|----|----|---|---|---|---|---|---|---|---|---|---|
| ID               |            |            |       |                               |    |    |    |    |    |    |    |    |    |    |    |    |    |    |    |    |    |    |   |   |   |   |   |   |   |   |   | A |
| Reset 0x00000000 | 0          |            |       |                               |    |    |    |    |    |    |    |    |    |    |    |    |    |    |    |    |    |    |   |   |   |   |   |   |   |   |   |   |
| ID               | Acce Field | Value ID   | Value | Description                   |    |    |    |    |    |    |    |    |    |    |    |    |    |    |    |    |    |    |   |   |   |   |   |   |   |   |   |   |
| A                | RW LEDPOL  |            |       | LED output pin polarity       |    |    |    |    |    |    |    |    |    |    |    |    |    |    |    |    |    |    |   |   |   |   |   |   |   |   |   |   |
|                  |            | ActiveLow  | 0     | Led active on output pin low  |    |    |    |    |    |    |    |    |    |    |    |    |    |    |    |    |    |    |   |   |   |   |   |   |   |   |   |   |
|                  |            | ActiveHigh | 1     | Led active on output pin high |    |    |    |    |    |    |    |    |    |    |    |    |    |    |    |    |    |    |   |   |   |   |   |   |   |   |   |   |

### 6.18.7.16 SAMPLEPER

Address offset: 0x508

Sample period

| Bit number       | 31           | 30       | 29    | 28  | 27 | 26 | 25 | 24 | 23 | 22 | 21 | 20 | 19 | 18 | 17 | 16 | 15 | 14 | 13 | 12 | 11 | 10 | 9 | 8 | 7 | 6 | 5 | 4 | 3 | 2 | 1 | 0 |   |   |   |
|------------------|--------------|----------|-------|---|----|----|----|----|----|----|----|----|----|----|----|----|----|----|----|----|----|----|---|---|---|---|---|---|---|---|---|---|---|---|---|
| ID               |              |          |       |   |    |    |    |    |    |    |    |    |    |    |    |    |    |    |    |    |    |    |   |   |   |   |   |   |   |   |   | A | A | A | A |
| Reset 0x00000000 | 0            |          |       |   |    |    |    |    |    |    |    |    |    |    |    |    |    |    |    |    |    |    |   |   |   |   |   |   |   |   |   |   |   |   |   |
| ID               | Acce Field   | Value ID | Value | Description   |    |    |    |    |    |    |    |    |    |    |    |    |    |    |    |    |    |    |   |   |   |   |   |   |   |   |   |   |   |   |   |
| A                | RW SAMPLEPER |          |       | Sample period. The SAMPLE register will be updated for every new sample |    |    |    |    |    |    |    |    |    |    |    |    |    |    |    |    |    |    |   |   |   |   |   |   |   |   |   |   |   |   |   |
|                  |              | 128us    | 0     | 128 $\mu$ s   |    |    |    |    |    |    |    |    |    |    |    |    |    |    |    |    |    |    |   |   |   |   |   |   |   |   |   |   |   |   |   |
|                  |              | 256us    | 1     | 256 $\mu$ s   |    |    |    |    |    |    |    |    |    |    |    |    |    |    |    |    |    |    |   |   |   |   |   |   |   |   |   |   |   |   |   |
|                  |              | 512us    | 2     | 512 $\mu$ s   |    |    |    |    |    |    |    |    |    |    |    |    |    |    |    |    |    |    |   |   |   |   |   |   |   |   |   |   |   |   |   |
|                  |              | 1024us   | 3     | 1024 $\mu$ s  |    |    |    |    |    |    |    |    |    |    |    |    |    |    |    |    |    |    |   |   |   |   |   |   |   |   |   |   |   |   |   |
|                  |              | 2048us   | 4     | 2048 $\mu$ s  |    |    |    |    |    |    |    |    |    |    |    |    |    |    |    |    |    |    |   |   |   |   |   |   |   |   |   |   |   |   |   |
|                  |              | 4096us   | 5     | 4096 $\mu$ s  |    |    |    |    |    |    |    |    |    |    |    |    |    |    |    |    |    |    |   |   |   |   |   |   |   |   |   |   |   |   |   |
|                  |              | 8192us   | 6     | 8192 $\mu$ s  |    |    |    |    |    |    |    |    |    |    |    |    |    |    |    |    |    |    |   |   |   |   |   |   |   |   |   |   |   |   |   |
|                  |              | 16384us  | 7     | 16384 $\mu$ s   |    |    |    |    |    |    |    |    |    |    |    |    |    |    |    |    |    |    |   |   |   |   |   |   |   |   |   |   |   |   |   |
|                  |              | 32ms     | 8     | 32768 $\mu$ s   |    |    |    |    |    |    |    |    |    |    |    |    |    |    |    |    |    |    |   |   |   |   |   |   |   |   |   |   |   |   |   |
|                  |              | 65ms     | 9     | 65536 $\mu$ s   |    |    |    |    |    |    |    |    |    |    |    |    |    |    |    |    |    |    |   |   |   |   |   |   |   |   |   |   |   |   |   |
|                  |              | 131ms    | 10    | 131072 $\mu$ s  |    |    |    |    |    |    |    |    |    |    |    |    |    |    |    |    |    |    |   |   |   |   |   |   |   |   |   |   |   |   |   |

### 6.18.7.17 SAMPLE

Address offset: 0x50C

Motion sample value

| Bit number       | 31         | 30       | 29      | 28  | 27 | 26 | 25 | 24 | 23 | 22 | 21 | 20 | 19 | 18 | 17 | 16 | 15 | 14 | 13 | 12 | 11 | 10 | 9 | 8 | 7 | 6 | 5 | 4 | 3 | 2 | 1 | 0 |
|------------------|------------|----------|---------|---|----|----|----|----|----|----|----|----|----|----|----|----|----|----|----|----|----|----|---|---|---|---|---|---|---|---|---|---|
| ID               | A          | A        | A       | A   | A  | A  | A  | A  | A  | A  | A  | A  | A  | A  | A  | A  | A  | A  | A  | A  | A  | A  | A | A | A | A | A | A | A | A | A | A |
| Reset 0x00000000 | 0          |          |         |   |    |    |    |    |    |    |    |    |    |    |    |    |    |    |    |    |    |    |   |   |   |   |   |   |   |   |   |   |
| ID               | Acce Field | Value ID | Value   | Description   |    |    |    |    |    |    |    |    |    |    |    |    |    |    |    |    |    |    |   |   |   |   |   |   |   |   |   |   |
| A                | R SAMPLE   |          | [-1..2] | Last motion sample  |    |    |    |    |    |    |    |    |    |    |    |    |    |    |    |    |    |    |   |   |   |   |   |   |   |   |   |   |
|                  |            |          |         | The value is a 2's complement value, and the sign gives the direction of the motion. The value '2' indicates a double transition. |    |    |    |    |    |    |    |    |    |    |    |    |    |    |    |    |    |    |   |   |   |   |   |   |   |   |   |   |

### 6.18.7.18 REPORTPER

Address offset: 0x510

Number of samples to be taken before REPORTRDY and DBLRDY events can be generated

| Bit number              | 31 30 29 28 27 26 25 24 23 22 21 20 19 18 17 16 15 14 13 12 11 10 9 8 7 6 5 4 3 2 1 0 |           |       |   |  |  |  |  |  |  |  |  |  |  |  |  |  |  |  |  |  |  |  |  |  |  |  |  |  |  |  |   |   |   |   |
|-------------------------|---|-----------|-------|---|--|--|--|--|--|--|--|--|--|--|--|--|--|--|--|--|--|--|--|--|--|--|--|--|--|--|--|---|---|---|---|
| ID                      |   |           |       |   |  |  |  |  |  |  |  |  |  |  |  |  |  |  |  |  |  |  |  |  |  |  |  |  |  |  |  | A | A | A | A |
| <b>Reset 0x00000000</b> | <b>0 0</b>    |           |       |   |  |  |  |  |  |  |  |  |  |  |  |  |  |  |  |  |  |  |  |  |  |  |  |  |  |  |  |   |   |   |   |
| ID                      | Acce Field  | Value ID  | Value | Description   |  |  |  |  |  |  |  |  |  |  |  |  |  |  |  |  |  |  |  |  |  |  |  |  |  |  |  |   |   |   |   |
| A                       | RW  | REPORTPER |       | Specifies the number of samples to be accumulated in the ACC register before the REPORTRDY and DBLRDY events can be generated.<br><br>The report period in [ $\mu$ s] is given as: $RPUS = SP * RP$ Where RPUS is the report period in [ $\mu$ s/report], SP is the sample period in [ $\mu$ s/sample] specified in SAMPLEPER, and RP is the report period in [samples/report] specified in REPORTPER . |  |  |  |  |  |  |  |  |  |  |  |  |  |  |  |  |  |  |  |  |  |  |  |  |  |  |  |   |   |   |   |
|                         |   | 10Smpl    | 0     | 10 samples/report   |  |  |  |  |  |  |  |  |  |  |  |  |  |  |  |  |  |  |  |  |  |  |  |  |  |  |  |   |   |   |   |
|                         |   | 40Smpl    | 1     | 40 samples/report   |  |  |  |  |  |  |  |  |  |  |  |  |  |  |  |  |  |  |  |  |  |  |  |  |  |  |  |   |   |   |   |
|                         |   | 80Smpl    | 2     | 80 samples/report   |  |  |  |  |  |  |  |  |  |  |  |  |  |  |  |  |  |  |  |  |  |  |  |  |  |  |  |   |   |   |   |
|                         |   | 120Smpl   | 3     | 120 samples/report  |  |  |  |  |  |  |  |  |  |  |  |  |  |  |  |  |  |  |  |  |  |  |  |  |  |  |  |   |   |   |   |
|                         |   | 160Smpl   | 4     | 160 samples/report  |  |  |  |  |  |  |  |  |  |  |  |  |  |  |  |  |  |  |  |  |  |  |  |  |  |  |  |   |   |   |   |
|                         |   | 200Smpl   | 5     | 200 samples/report  |  |  |  |  |  |  |  |  |  |  |  |  |  |  |  |  |  |  |  |  |  |  |  |  |  |  |  |   |   |   |   |
|                         |   | 240Smpl   | 6     | 240 samples/report  |  |  |  |  |  |  |  |  |  |  |  |  |  |  |  |  |  |  |  |  |  |  |  |  |  |  |  |   |   |   |   |
|                         |   | 280Smpl   | 7     | 280 samples/report  |  |  |  |  |  |  |  |  |  |  |  |  |  |  |  |  |  |  |  |  |  |  |  |  |  |  |  |   |   |   |   |
|                         |   | 1Smpl     | 8     | 1 sample/report   |  |  |  |  |  |  |  |  |  |  |  |  |  |  |  |  |  |  |  |  |  |  |  |  |  |  |  |   |   |   |   |

### 6.18.7.19 ACC

Address offset: 0x514

Register accumulating the valid transitions

| Bit number              | 31 30 29 28 27 26 25 24 23 22 21 20 19 18 17 16 15 14 13 12 11 10 9 8 7 6 5 4 3 2 1 0 |          |               |  |  |  |  |  |  |  |  |  |  |  |  |  |  |  |  |  |  |  |  |  |  |  |  |  |  |  |  |   |   |   |   |   |   |   |   |   |   |   |   |   |   |   |   |   |   |   |   |   |   |   |   |   |   |   |   |   |
|-------------------------|---|----------|---------------|--|--|--|--|--|--|--|--|--|--|--|--|--|--|--|--|--|--|--|--|--|--|--|--|--|--|--|--|---|---|---|---|---|---|---|---|---|---|---|---|---|---|---|---|---|---|---|---|---|---|---|---|---|---|---|---|---|
| ID                      | A   |          |               |  |  |  |  |  |  |  |  |  |  |  |  |  |  |  |  |  |  |  |  |  |  |  |  |  |  |  |  | A | A | A | A | A | A | A | A | A | A | A | A | A | A | A | A | A | A | A | A | A | A | A | A | A | A | A | A | A |
| <b>Reset 0x00000000</b> | <b>0 0</b>    |          |               |  |  |  |  |  |  |  |  |  |  |  |  |  |  |  |  |  |  |  |  |  |  |  |  |  |  |  |  |   |   |   |   |   |   |   |   |   |   |   |   |   |   |   |   |   |   |   |   |   |   |   |   |   |   |   |   |   |
| ID                      | Acce Field  | Value ID | Value         | Description  |  |  |  |  |  |  |  |  |  |  |  |  |  |  |  |  |  |  |  |  |  |  |  |  |  |  |  |   |   |   |   |   |   |   |   |   |   |   |   |   |   |   |   |   |   |   |   |   |   |   |   |   |   |   |   |   |
| A                       | R   | ACC      | [-1024..1023] | Register accumulating all valid samples (not double transition) read from the SAMPLE register.<br><br>Double transitions ( SAMPLE = 2 ) will not be accumulated in this register. The value is a 32 bit 2's complement value.<br><br>If a sample that would cause this register to overflow or underflow is received, the sample will be ignored and an overflow event ( ACCOF ) will be generated. The ACC register is cleared by triggering the READCLRACC or the RDCLRACC task. |  |  |  |  |  |  |  |  |  |  |  |  |  |  |  |  |  |  |  |  |  |  |  |  |  |  |  |   |   |   |   |   |   |   |   |   |   |   |   |   |   |   |   |   |   |   |   |   |   |   |   |   |   |   |   |   |

### 6.18.7.20 ACCREAD

Address offset: 0x518

Snapshot of the ACC register, updated by the READCLRACC or RDCLRACC task

| Bit number       | 31         | 30       | 29            | 28  | 27 | 26 | 25 | 24 | 23 | 22 | 21 | 20 | 19 | 18 | 17 | 16 | 15 | 14 | 13 | 12 | 11 | 10 | 9 | 8 | 7 | 6 | 5 | 4 | 3 | 2 | 1 | 0 |
|------------------|------------|----------|---------------|---|----|----|----|----|----|----|----|----|----|----|----|----|----|----|----|----|----|----|---|---|---|---|---|---|---|---|---|---|
| ID               | A          | A        | A             | A   | A  | A  | A  | A  | A  | A  | A  | A  | A  | A  | A  | A  | A  | A  | A  | A  | A  | A  | A | A | A | A | A | A | A | A | A | A |
| Reset 0x00000000 | 0          | 0        | 0             | 0   | 0  | 0  | 0  | 0  | 0  | 0  | 0  | 0  | 0  | 0  | 0  | 0  | 0  | 0  | 0  | 0  | 0  | 0  | 0 | 0 | 0 | 0 | 0 | 0 | 0 | 0 | 0 |   |
| ID               | Acce Field | Value ID | Value         | Description   |    |    |    |    |    |    |    |    |    |    |    |    |    |    |    |    |    |    |   |   |   |   |   |   |   |   |   |   |
| A                | R ACCREAD  |          | [-1024..1023] | Snapshot of the ACC register.<br><br>The ACCREAD register is updated when the READCLRACC or RDCLRACC task is triggered. |    |    |    |    |    |    |    |    |    |    |    |    |    |    |    |    |    |    |   |   |   |   |   |   |   |   |   |   |

### 6.18.7.21 PSEL.LED

Address offset: 0x51C

Pin select for LED signal

| Bit number       | 31         | 30           | 29      | 28          | 27 | 26 | 25 | 24 | 23 | 22 | 21 | 20 | 19 | 18 | 17 | 16 | 15 | 14 | 13 | 12 | 11 | 10 | 9 | 8 | 7 | 6 | 5 | 4 | 3 | 2 | 1 | 0 |
|------------------|------------|--------------|---------|-------------|----|----|----|----|----|----|----|----|----|----|----|----|----|----|----|----|----|----|---|---|---|---|---|---|---|---|---|---|
| ID               | C          |              |         |             |    |    |    |    |    |    |    |    |    |    |    |    |    |    |    |    |    |    |   |   |   |   | B | A | A | A | A |   |
| Reset 0xFFFFFFFF | 1          | 1            | 1       | 1           | 1  | 1  | 1  | 1  | 1  | 1  | 1  | 1  | 1  | 1  | 1  | 1  | 1  | 1  | 1  | 1  | 1  | 1  | 1 | 1 | 1 | 1 | 1 | 1 | 1 | 1 | 1 |   |
| ID               | Acce Field | Value ID     | Value   | Description |    |    |    |    |    |    |    |    |    |    |    |    |    |    |    |    |    |    |   |   |   |   |   |   |   |   |   |   |
| A                | RW PIN     |              | [0..31] | Pin number  |    |    |    |    |    |    |    |    |    |    |    |    |    |    |    |    |    |    |   |   |   |   |   |   |   |   |   |   |
| B                | RW PORT    |              | [0..1]  | Port number |    |    |    |    |    |    |    |    |    |    |    |    |    |    |    |    |    |    |   |   |   |   |   |   |   |   |   |   |
| C                | RW CONNECT |              |         | Connection  |    |    |    |    |    |    |    |    |    |    |    |    |    |    |    |    |    |    |   |   |   |   |   |   |   |   |   |   |
|                  |            | Disconnected | 1       | Disconnect  |    |    |    |    |    |    |    |    |    |    |    |    |    |    |    |    |    |    |   |   |   |   |   |   |   |   |   |   |
|                  |            | Connected    | 0       | Connect     |    |    |    |    |    |    |    |    |    |    |    |    |    |    |    |    |    |    |   |   |   |   |   |   |   |   |   |   |

### 6.18.7.22 PSEL.A

Address offset: 0x520

Pin select for A signal

| Bit number       | 31         | 30           | 29      | 28          | 27 | 26 | 25 | 24 | 23 | 22 | 21 | 20 | 19 | 18 | 17 | 16 | 15 | 14 | 13 | 12 | 11 | 10 | 9 | 8 | 7 | 6 | 5 | 4 | 3 | 2 | 1 | 0 |
|------------------|------------|--------------|---------|-------------|----|----|----|----|----|----|----|----|----|----|----|----|----|----|----|----|----|----|---|---|---|---|---|---|---|---|---|---|
| ID               | C          |              |         |             |    |    |    |    |    |    |    |    |    |    |    |    |    |    |    |    |    |    |   |   |   |   |   | B | A | A | A | A |
| Reset 0xFFFFFFFF | 1          | 1            | 1       | 1           | 1  | 1  | 1  | 1  | 1  | 1  | 1  | 1  | 1  | 1  | 1  | 1  | 1  | 1  | 1  | 1  | 1  | 1  | 1 | 1 | 1 | 1 | 1 | 1 | 1 | 1 | 1 |   |
| ID               | Acce Field | Value ID     | Value   | Description |    |    |    |    |    |    |    |    |    |    |    |    |    |    |    |    |    |    |   |   |   |   |   |   |   |   |   |   |
| A                | RW PIN     |              | [0..31] | Pin number  |    |    |    |    |    |    |    |    |    |    |    |    |    |    |    |    |    |    |   |   |   |   |   |   |   |   |   |   |
| B                | RW PORT    |              | [0..1]  | Port number |    |    |    |    |    |    |    |    |    |    |    |    |    |    |    |    |    |    |   |   |   |   |   |   |   |   |   |   |
| C                | RW CONNECT |              |         | Connection  |    |    |    |    |    |    |    |    |    |    |    |    |    |    |    |    |    |    |   |   |   |   |   |   |   |   |   |   |
|                  |            | Disconnected | 1       | Disconnect  |    |    |    |    |    |    |    |    |    |    |    |    |    |    |    |    |    |    |   |   |   |   |   |   |   |   |   |   |
|                  |            | Connected    | 0       | Connect     |    |    |    |    |    |    |    |    |    |    |    |    |    |    |    |    |    |    |   |   |   |   |   |   |   |   |   |   |

### 6.18.7.23 PSEL.B

Address offset: 0x524

Pin select for B signal

| Bit number       | 31         | 30           | 29      | 28          | 27 | 26 | 25 | 24 | 23 | 22 | 21 | 20 | 19 | 18 | 17 | 16 | 15 | 14 | 13 | 12 | 11 | 10 | 9 | 8 | 7 | 6 | 5 | 4 | 3 | 2 | 1 | 0 |   |
|------------------|------------|--------------|---------|-------------|----|----|----|----|----|----|----|----|----|----|----|----|----|----|----|----|----|----|---|---|---|---|---|---|---|---|---|---|---|
| ID               | C          |              |         |             |    |    |    |    |    |    |    |    |    |    |    |    |    |    |    |    |    |    |   |   |   |   |   | B | A | A | A | A | A |
| Reset 0xFFFFFFFF | 1          | 1            | 1       | 1           | 1  | 1  | 1  | 1  | 1  | 1  | 1  | 1  | 1  | 1  | 1  | 1  | 1  | 1  | 1  | 1  | 1  | 1  | 1 | 1 | 1 | 1 | 1 | 1 | 1 | 1 | 1 | 1 |   |
| ID               | Acce Field | Value ID     | Value   | Description |    |    |    |    |    |    |    |    |    |    |    |    |    |    |    |    |    |    |   |   |   |   |   |   |   |   |   |   |   |
| A                | RW PIN     |              | [0..31] | Pin number  |    |    |    |    |    |    |    |    |    |    |    |    |    |    |    |    |    |    |   |   |   |   |   |   |   |   |   |   |   |
| B                | RW PORT    |              | [0..1]  | Port number |    |    |    |    |    |    |    |    |    |    |    |    |    |    |    |    |    |    |   |   |   |   |   |   |   |   |   |   |   |
| C                | RW CONNECT |              |         | Connection  |    |    |    |    |    |    |    |    |    |    |    |    |    |    |    |    |    |    |   |   |   |   |   |   |   |   |   |   |   |
|                  |            | Disconnected | 1       | Disconnect  |    |    |    |    |    |    |    |    |    |    |    |    |    |    |    |    |    |    |   |   |   |   |   |   |   |   |   |   |   |
|                  |            | Connected    | 0       | Connect     |    |    |    |    |    |    |    |    |    |    |    |    |    |    |    |    |    |    |   |   |   |   |   |   |   |   |   |   |   |

### 6.18.7.24 DBFEN

Address offset: 0x528

Enable input debounce filters

| Bit number       | 31         | 30       | 29    | 28                              | 27 | 26 | 25 | 24 | 23 | 22 | 21 | 20 | 19 | 18 | 17 | 16 | 15 | 14 | 13 | 12 | 11 | 10 | 9 | 8 | 7 | 6 | 5 | 4 | 3 | 2 | 1 | 0 |   |
|------------------|------------|----------|-------|---------------------------------|----|----|----|----|----|----|----|----|----|----|----|----|----|----|----|----|----|----|---|---|---|---|---|---|---|---|---|---|---|
| ID               |            |          |       |                                 |    |    |    |    |    |    |    |    |    |    |    |    |    |    |    |    |    |    |   |   |   |   |   |   |   |   |   |   | A |
| Reset 0x00000000 | 0          | 0        | 0     | 0                               | 0  | 0  | 0  | 0  | 0  | 0  | 0  | 0  | 0  | 0  | 0  | 0  | 0  | 0  | 0  | 0  | 0  | 0  | 0 | 0 | 0 | 0 | 0 | 0 | 0 | 0 | 0 | 0 | 0 |
| ID               | Acce Field | Value ID | Value | Description                     |    |    |    |    |    |    |    |    |    |    |    |    |    |    |    |    |    |    |   |   |   |   |   |   |   |   |   |   |   |
| A                | RW DBFEN   |          |       | Enable input debounce filters   |    |    |    |    |    |    |    |    |    |    |    |    |    |    |    |    |    |    |   |   |   |   |   |   |   |   |   |   |   |
|                  |            | Disabled | 0     | Debounce input filters disabled |    |    |    |    |    |    |    |    |    |    |    |    |    |    |    |    |    |    |   |   |   |   |   |   |   |   |   |   |   |
|                  |            | Enabled  | 1     | Debounce input filters enabled  |    |    |    |    |    |    |    |    |    |    |    |    |    |    |    |    |    |    |   |   |   |   |   |   |   |   |   |   |   |

### 6.18.7.25 LEDPRE

Address offset: 0x540

Time period the LED is switched ON prior to sampling

| Bit number       | 31         | 30       | 29       | 28   | 27 | 26 | 25 | 24 | 23 | 22 | 21 | 20 | 19 | 18 | 17 | 16 | 15 | 14 | 13 | 12 | 11 | 10 | 9 | 8 | 7 | 6 | 5 | 4 | 3 | 2 | 1 | 0 |   |   |   |   |   |   |   |   |   |   |   |   |   |   |   |   |   |   |   |   |   |   |   |   |
|------------------|------------|----------|----------|--|----|----|----|----|----|----|----|----|----|----|----|----|----|----|----|----|----|----|---|---|---|---|---|---|---|---|---|---|---|---|---|---|---|---|---|---|---|---|---|---|---|---|---|---|---|---|---|---|---|---|---|---|
| ID               |            |          |          |  |    |    |    |    |    |    |    |    |    |    |    |    |    |    |    |    |    |    |   |   |   |   |   | A | A | A | A | A | A | A | A | A | A | A | A | A | A | A | A | A | A | A | A | A | A | A | A | A | A | A | A | A |
| Reset 0x00000010 | 0          | 0        | 0        | 0  | 0  | 0  | 0  | 0  | 0  | 0  | 0  | 0  | 0  | 0  | 0  | 0  | 0  | 0  | 0  | 0  | 0  | 0  | 0 | 0 | 0 | 0 | 0 | 0 | 0 | 0 | 1 | 0 | 0 | 0 | 0 |   |   |   |   |   |   |   |   |   |   |   |   |   |   |   |   |   |   |   |   |   |
| ID               | Acce Field | Value ID | Value    | Description  |    |    |    |    |    |    |    |    |    |    |    |    |    |    |    |    |    |    |   |   |   |   |   |   |   |   |   |   |   |   |   |   |   |   |   |   |   |   |   |   |   |   |   |   |   |   |   |   |   |   |   |   |
| A                | RW LEDPRE  |          | [1..511] | Period in $\mu$ s the LED is switched on prior to sampling |    |    |    |    |    |    |    |    |    |    |    |    |    |    |    |    |    |    |   |   |   |   |   |   |   |   |   |   |   |   |   |   |   |   |   |   |   |   |   |   |   |   |   |   |   |   |   |   |   |   |   |   |

### 6.18.7.26 ACCDBL

Address offset: 0x544

Register accumulating the number of detected double transitions

| Bit number       | 31         | 30       | 29      | 28  | 27 | 26 | 25 | 24 | 23 | 22 | 21 | 20 | 19 | 18 | 17 | 16 | 15 | 14 | 13 | 12 | 11 | 10 | 9 | 8 | 7 | 6 | 5 | 4 | 3 | 2 | 1 | 0 |   |
|------------------|------------|----------|---------|---|----|----|----|----|----|----|----|----|----|----|----|----|----|----|----|----|----|----|---|---|---|---|---|---|---|---|---|---|---|
| ID               |            |          |         |   |    |    |    |    |    |    |    |    |    |    |    |    |    |    |    |    |    |    |   |   |   |   |   | A | A | A | A |   |   |
| Reset 0x00000000 | 0          | 0        | 0       | 0   | 0  | 0  | 0  | 0  | 0  | 0  | 0  | 0  | 0  | 0  | 0  | 0  | 0  | 0  | 0  | 0  | 0  | 0  | 0 | 0 | 0 | 0 | 0 | 0 | 0 | 0 | 0 | 0 | 0 |
| ID               | Acce Field | Value ID | Value   | Description   |    |    |    |    |    |    |    |    |    |    |    |    |    |    |    |    |    |    |   |   |   |   |   |   |   |   |   |   |   |
| A                | R ACCDBL   |          | [0..15] | Register accumulating the number of detected double or illegal transitions. ( SAMPLE = 2 ).   |    |    |    |    |    |    |    |    |    |    |    |    |    |    |    |    |    |    |   |   |   |   |   |   |   |   |   |   |   |
|                  |            |          |         | When this register has reached its maximum value, the accumulation of double/illegal transitions will stop. An overflow event (ACCOF) will be generated if any double or illegal transitions are detected after the maximum value was reached. This field is cleared by triggering the READCLRACC or RDCLRDBL task. |    |    |    |    |    |    |    |    |    |    |    |    |    |    |    |    |    |    |   |   |   |   |   |   |   |   |   |   |   |

### 6.18.7.27 ACCDBLREAD

Address offset: 0x548

Snapshot of the ACCDBL, updated by the READCLRACC or RDCLRDBL task

| Bit number       | 31  | 30         | 29       | 28      | 27  | 26 | 25 | 24 | 23 | 22 | 21 | 20 | 19 | 18 | 17 | 16 | 15 | 14 | 13 | 12 | 11 | 10 | 9 | 8 | 7 | 6 | 5 | 4 | 3 | 2 | 1 | 0 |
|------------------|---|------------|----------|---------|---|----|----|----|----|----|----|----|----|----|----|----|----|----|----|----|----|----|---|---|---|---|---|---|---|---|---|---|
| ID               | A A A A   |            |          |         |   |    |    |    |    |    |    |    |    |    |    |    |    |    |    |    |    |    |   |   |   |   |   |   |   |   |   |   |
| Reset 0x00000000 | 0 |            |          |         |   |    |    |    |    |    |    |    |    |    |    |    |    |    |    |    |    |    |   |   |   |   |   |   |   |   |   |   |
| ID               | Acce  | Field      | Value ID | Value   | Description   |    |    |    |    |    |    |    |    |    |    |    |    |    |    |    |    |    |   |   |   |   |   |   |   |   |   |   |
| A                | R   | ACCDBLREAD |          | [0..15] | Snapshot of the ACCDBL register. This field is updated when the READCLRACC or RDCLRDBL task is triggered. |    |    |    |    |    |    |    |    |    |    |    |    |    |    |    |    |    |   |   |   |   |   |   |   |   |   |   |

## 6.18.8 Electrical specification

### 6.18.8.1 QDEC Electrical Specification

| Symbol              | Description   | Min. | Typ. | Max.   | Units |
|---------------------|---|------|------|--------|-------|
| t <sub>SAMPLE</sub> | Time between sampling signals from quadrature decoder | 128  |      | 131072 | μs    |
| t <sub>LED</sub>    | Time from LED is turned on to signals are sampled     | 0    |      | 511    | μs    |

## 6.19 QSPI — Quad serial peripheral interface

The QSPI peripheral provides support for communicating with an external flash memory device using SPI.

Listed here are the main features for the QSPI peripheral:

- Single/dual/quad SPI input/output
- 2–32 MHz configurable clock frequency
- Single-word read/write access from/to external flash
- EasyDMA for block read and write transfers
- Up to 16 MB/sec EasyDMA read rate
- Execute in place (XIP) for executing program directly from external flash

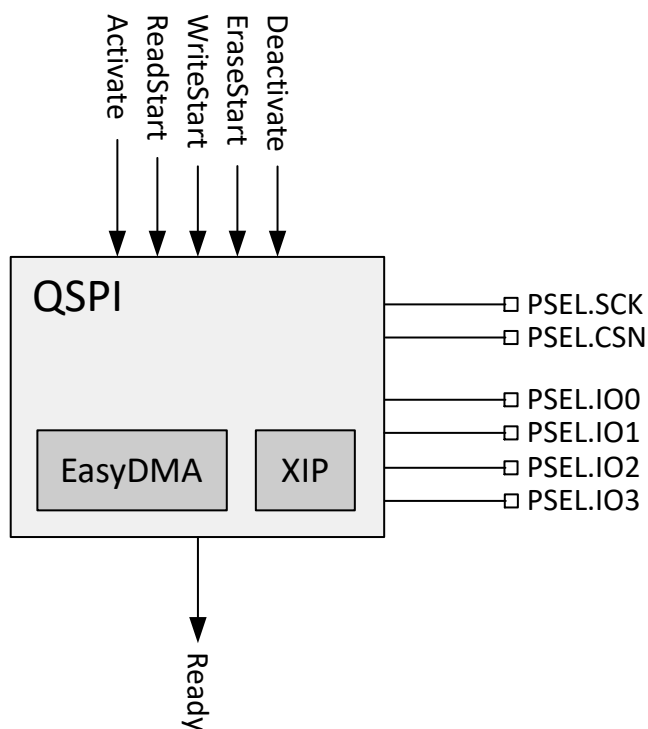


Figure 86: Block diagram

### 6.19.1 Configuring peripheral

Before any data can be transferred to or from the external flash memory, the peripheral needs to be configured.

1. Select input/output pins in [PSEL.SCK](#) on page 303, [PSEL.CSN](#) on page 304, [PSEL.IO0](#) on page 304, [PSEL.IO1](#) on page 304, [PSEL.IO2](#) on page 305, and [PSEL.IO3](#) on page 305. See [Reference circuitry](#) on page 588 for the recommended pins.
2. To ensure stable operation, set the GPIO drive strength to “high drive”. See the [GPIO — General purpose input/output](#) on page 151 chapter for details on how to configure GPIO drive strength.
3. Configure the interface towards the external flash memory using [IFCONFIG0](#) on page 306, [IFCONFIG1](#) on page 306, and [ADDRCONF](#) on page 307.
4. Enable the QSPI peripheral and acquire I/O pins using [ENABLE](#) on page 301.
5. Activate the external flash memory interface using the [ACTIVATE](#) task. The [READY](#) event will be generated when the interface has been activated and the external flash memory is ready for access.

#### Important:

If the [IFCONFIG0](#) on page 306 register is configured to use the quad mode, the external flash device also needs to be set in the quad mode before any data transfers can take place.

This can be done by sending custom instructions to the external flash device, as described in [Sending custom instructions](#) on page 291.

### 6.19.2 Write operation

A write operation to the external flash is configured using the [WRITE.DST](#) on page 302, [WRITE.SRC](#) on page 302, and [WRITE.CNT](#) on page 303 registers and started using the [WRITESTART](#) task.

The [READY](#) event is generated when the transfer is complete.

The QSPI peripheral automatically takes care of splitting DMA transfers into page writes.

### 6.19.3 Read operation

A read operation from the external flash is configured using the [READ.SRC](#) on page 301, [READ.DST](#) on page 302, and [READ.CNT](#) on page 302 registers and started using the READSTART task.

The READY event is generated when the transfer is complete.

### 6.19.4 Erase operation

Erase of pages/blocks of the external flash is configured using the [ERASE.PTR](#) on page 303 and [ERASE.LEN](#) on page 303 registers and started using the ERASESTART task.

The READY event is generated when the erase operation has been started.

Note that in this case the READY event will not indicate that the erase operation of the flash has been completed, but it only signals that the erase operation has been started. The actual status of the erase operation can normally be read from the external flash using a custom instruction, see [Sending custom instructions](#) on page 291.

### 6.19.5 Execute in place

Execute in place (XIP) allows the CPU to execute program code directly from the external flash.

After the external flash has been configured, the CPU can execute code from the external flash by accessing the XIP memory region. See the figure below and [Memory map](#) on page 21 for details.

Note that the XIP memory region is read-only, writing to it will result in a bus error.

When accessing the XIP memory region, the start address of this XIP memory region will map to the address [XIPOFFSET](#) on page 305 of the external flash.

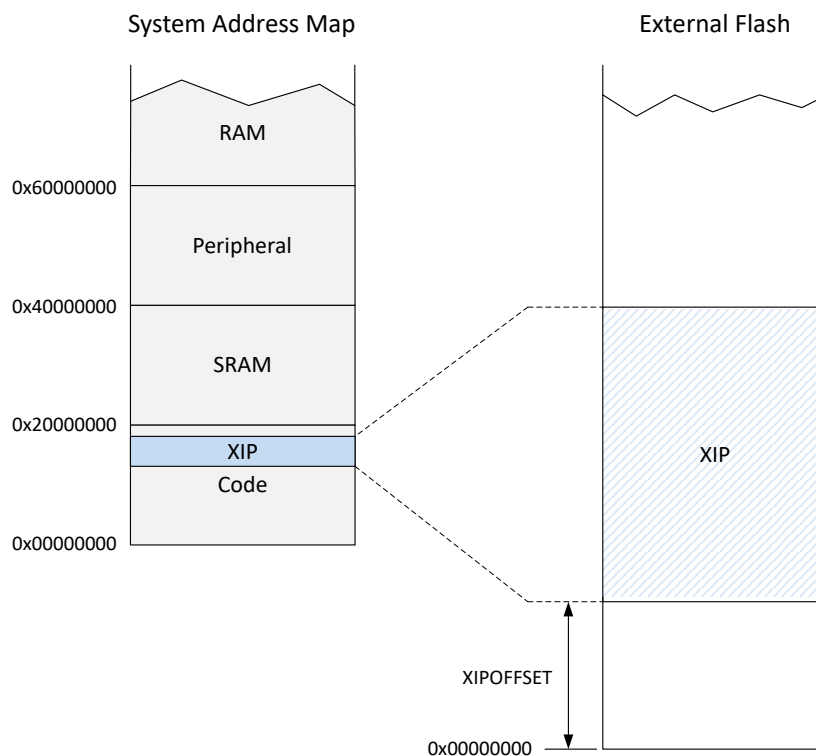


Figure 87: XIP memory map

### 6.19.6 Sending custom instructions

Custom instructions can be sent to the external flash using the [CINSTRCONF](#) on page 308, [CINSTRDAT0](#) on page 309, and [CINSTRDAT1](#) on page 309 registers. It is possible to send an instruction consisting of a one-byte opcode and up to 8 bytes of additional data and to read its response.

A custom instruction is prepared by first writing the data to be sent to [CINSTRDAT0](#) on page 309 and [CINSTRDAT1](#) on page 309 before writing the opcode and other configurations to the [CINSTRCONF](#) on page 308 register.

The custom instruction is sent when the [CINSTRCONF](#) on page 308 register is written and it is always sent on a single data line SPI interface.

The READY event will be generated when the custom instruction has been sent.

After a custom instruction has been sent, the [CINSTRDAT0](#) on page 309 and [CINSTRDAT1](#) on page 309 will contain the response bytes from the custom instruction.

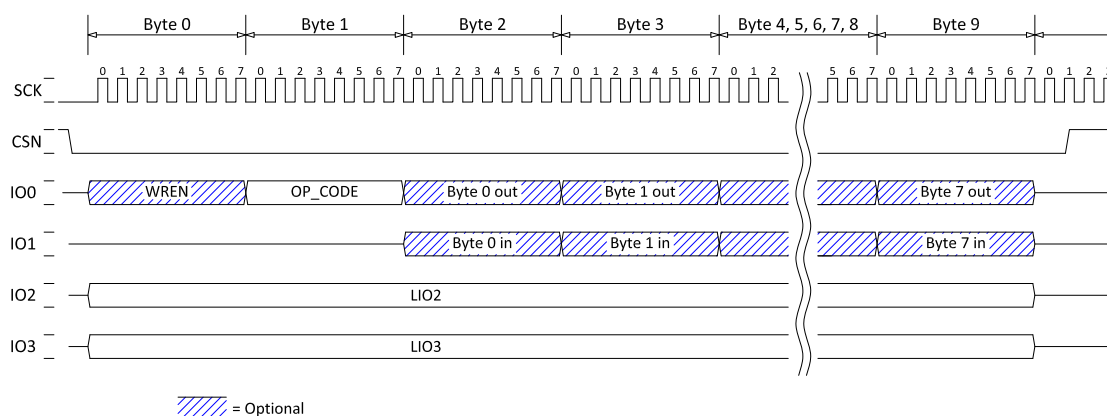


Figure 88: Sending custom instruction

### 6.19.6.1 Long frame mode

The LFEN and LFSTOP fields in the [CINSTRCONF](#) on page 308 control the operation of the custom instruction long frame mode. The long frame mode is a mechanism that permits arbitrary byte length custom instructions. While in long frame mode a long custom instruction sequence is split in multiple writes to the [CINSTRDAT0](#) on page 309 and [CINSTRDAT1](#) on page 309 registers.

To enable the long frame mode every write to the [CINSTRCONF](#) on page 308 register must have the LFEN field set to 1. The contents of the OP\_CODE field will be transmitted after the first write to [CINSTRCONF](#) on page 308 and will be omitted in every subsequent write to this register. For subsequent writes the number of data bytes as specified in the LENGTH field are transferred (that is the value of LENGTH - 1 data bytes). The values of the LIO2 and LIO3 fields are set in the first write to [CINSTRCONF](#) on page 308 and will apply for the entire custom instruction transmission until the long frame is finalized.

To finalize a long frame transmission, the LFSTOP field in [CINSTRCONF](#) on page 308 must be set to 1 in the last write to this register.

### 6.19.7 Deep power-down mode

The external flash memory can be put in deep power-down mode (DPM) to minimize its current consumption when there is no need to access the memory.

DPM is enabled in the [IFCONFIG0](#) on page 306 register and configured in the [DPMDUR](#) on page 307 register. The DPM status of the external memory can be read in the [STATUS](#) on page 307 register. The DPMDUR register has to be configured according to the external flash specification to get the information in the STATUS register and the timing of the READY event correct.

Entering/exiting DPM is controlled using the [IFCONFIG1](#) on page 306 register.



## 6.19.8 Instruction set

The table below shows the instruction set being used by the QSPI peripheral when communicating with an external flash device.

| Instruction | Opcode   | Description                    |
|-------------|--|--------------------------------|
| WREN        | 0x06   | Write enable                   |
| RDSR        | 0x05   | Read status register           |
| WRSR        | 0x01   | Write status register          |
| FASTREAD    | 0x0B   | Read bytes at higher speed     |
| READ2O      | 0x3B   | Dual-read output               |
| READ2IO     | 0xBB   | Dual-read input/output         |
| READ4O      | 0x6B   | Quad-read output               |
| READ4IO     | 0xEB   | Quad-read input/output         |
| PP          | 0x02   | Page program                   |
| PP2O        | 0xA2   | Dual-page program output       |
| PP4O        | 0x32   | Quad-page program output       |
| PP4IO       | 0x38   | Quad-page program input/output |
| SE          | 0x20   | Sector erase                   |
| BE          | 0xD8   | Block erase                    |
| CE          | 0xC7   | Chip erase                     |
| DP          | 0xB9   | Enter deep power-down mode     |
| DPE         | 0xAB   | Exit deep power-down mode      |
| EN4B        | Specified in the ADDRCONF on page 307 register | Enable 32 bit address mode     |

Table 83: Instruction set

## 6.19.9 Interface description

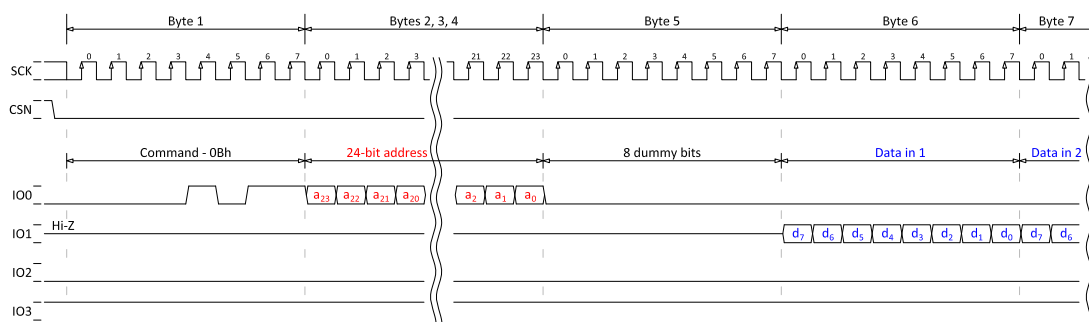


Figure 89: 24-bit FASTREAD, SPI MODE = MODE0

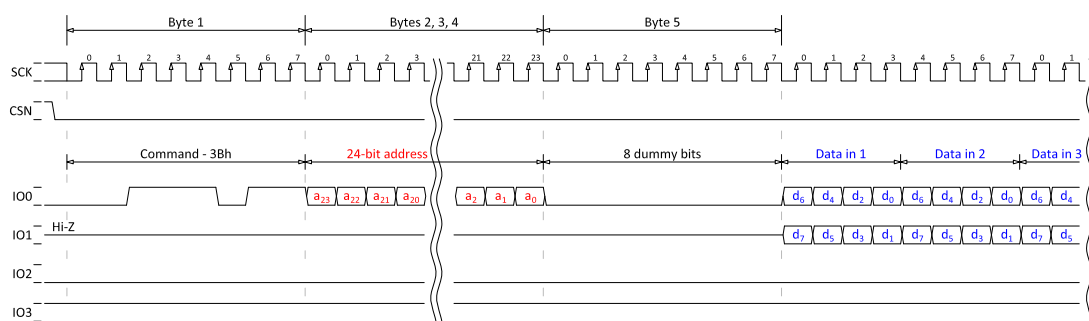


Figure 90: 24-bit READ2O (dual-read output), SPI MODE = MODE0

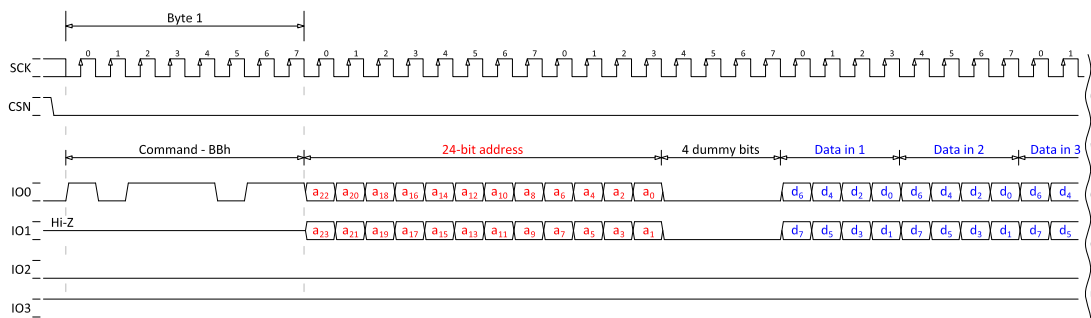


Figure 91: 24-bit READ2IO (dual read input/output), SPIMODE = MODE0

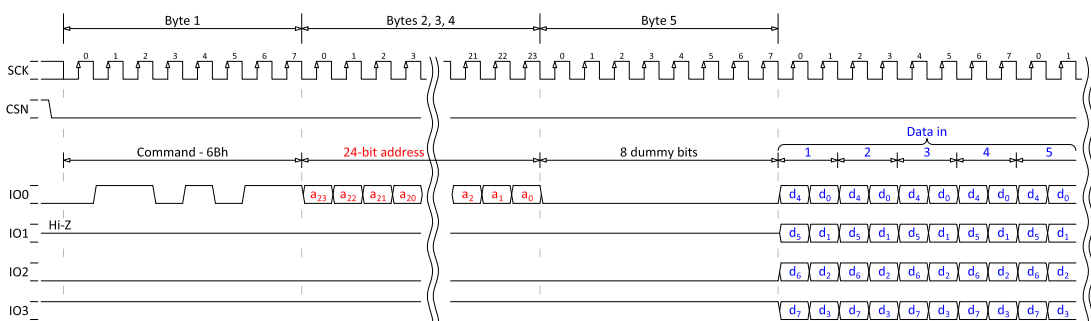


Figure 92: 24-bit READ4O (quad-read output), SPIMODE = MODE0

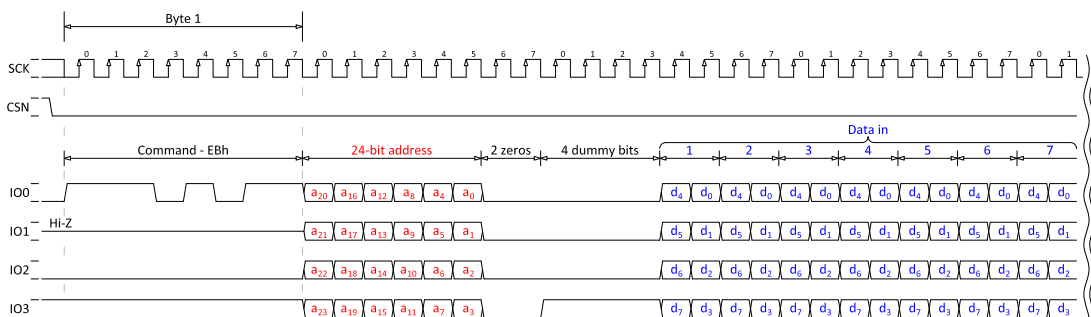


Figure 93: 24-bit READ4IO (quad-read input/output), SPIMODE = MODE0

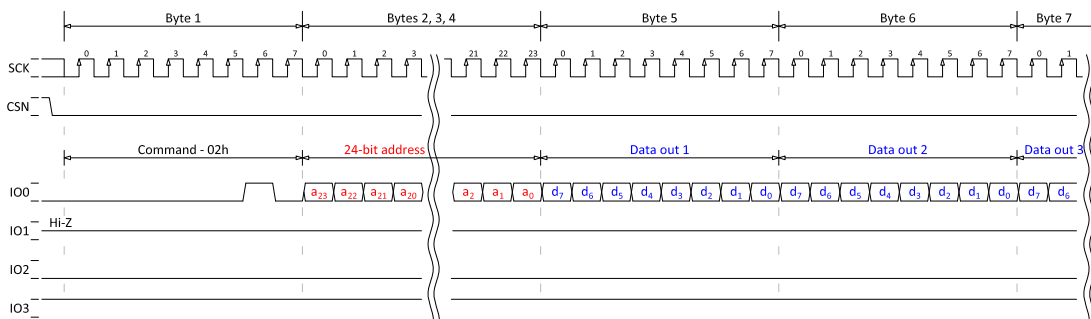


Figure 94: 24-bit PP (page program), SPIMODE = MODE0

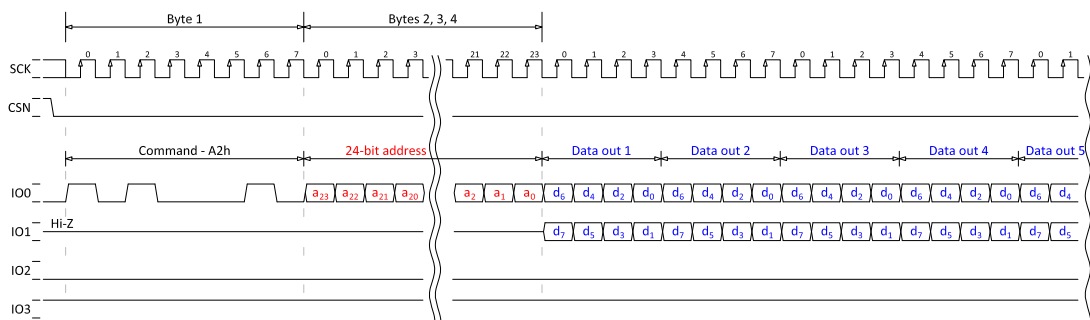


Figure 95: 24-bit PP2O (dual-page program output), SPI MODE = MODE0

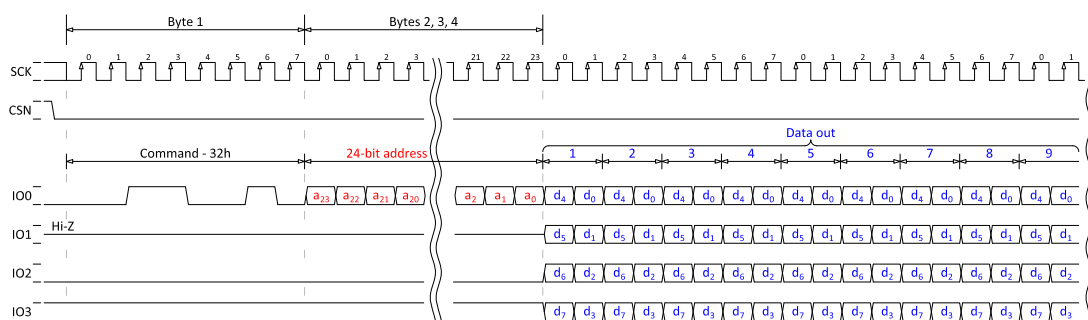


Figure 96: 24-bit PP4O (quad page program output), SPI MODE = MODE0

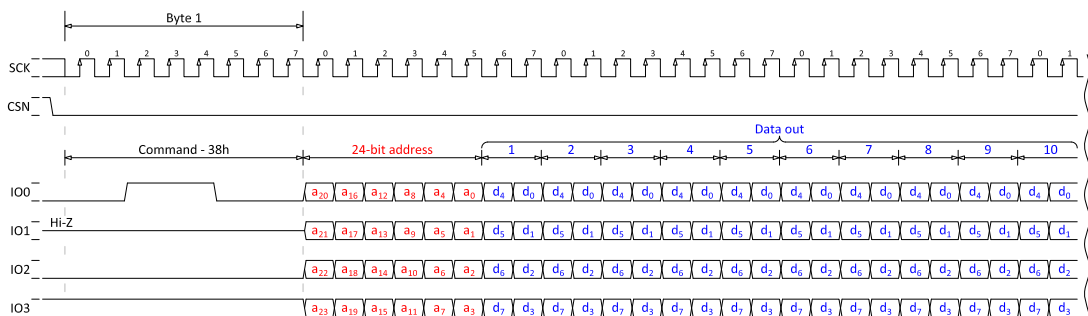


Figure 97: 24-bit PP4IO (quad page program input/output), SPI MODE = MODE0

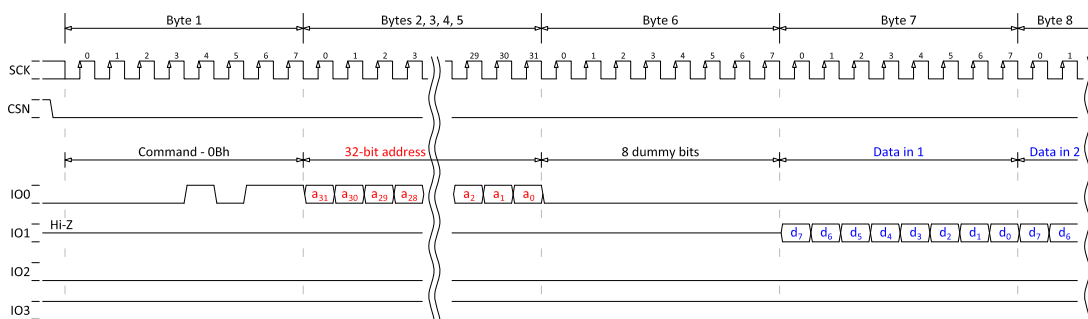


Figure 98: 32-bit FASTREAD, SPI MODE = MODE0

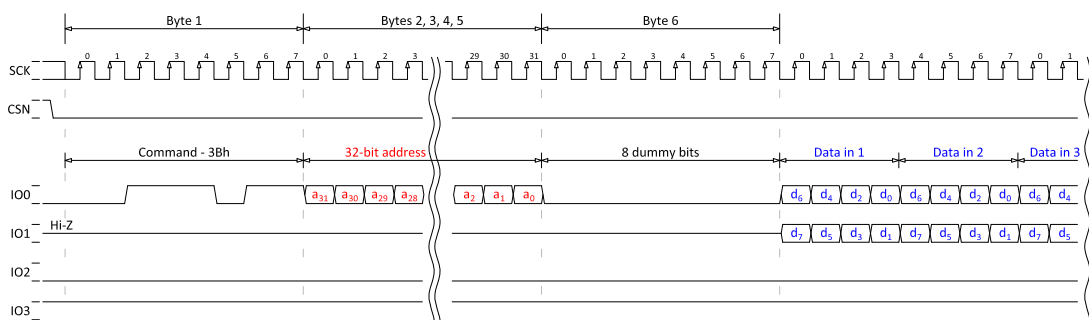


Figure 99: 32-bit READ2O (dual-read output), SPIMODE = MODE0

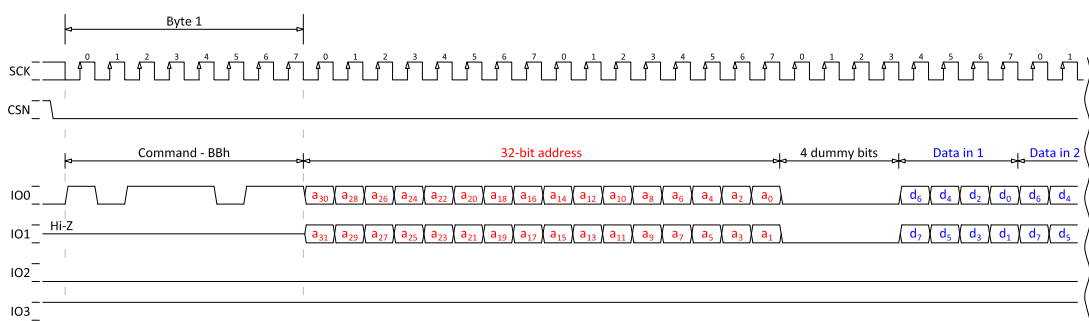


Figure 100: 32-bit READ2IO (dual read input/output), SPIMODE = MODE0

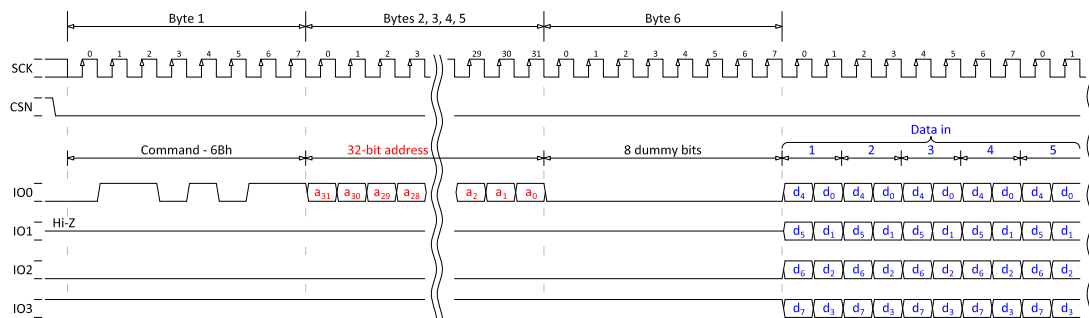


Figure 101: 32-bit READ4O (quad-read output), SPIMODE = MODE0

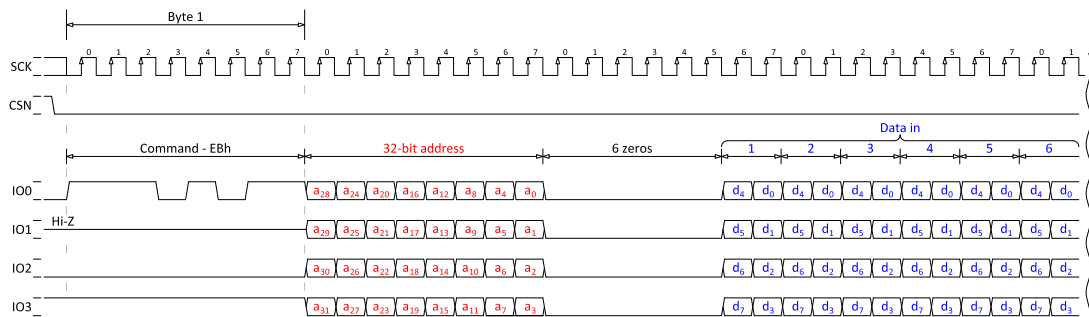


Figure 102: 32-bit READ4IO (quad-read input/output), SPIMODE = MODE0

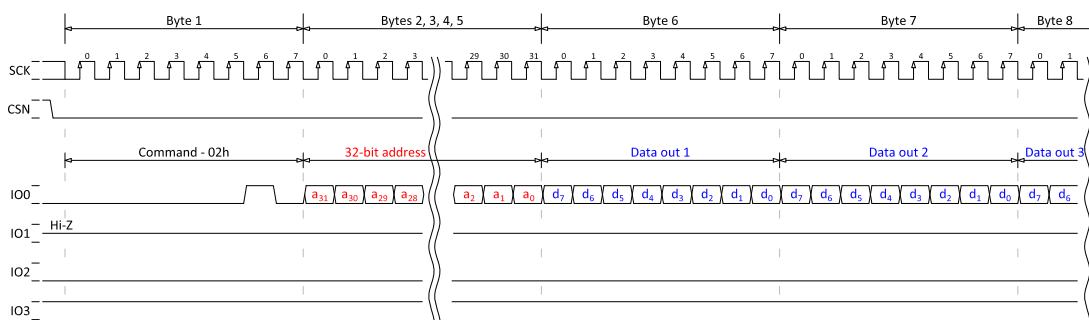


Figure 103: 32-bit PP (page program), SPI MODE = MODE0

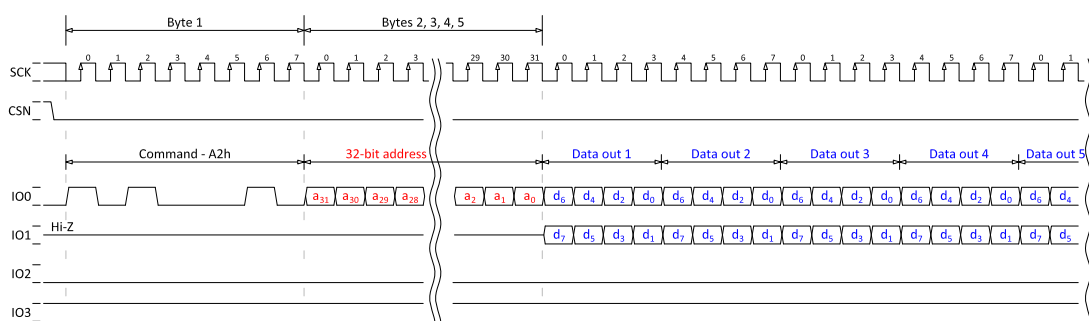


Figure 104: 32-bit PP2O (dual-page program output), SPI MODE = MODE0

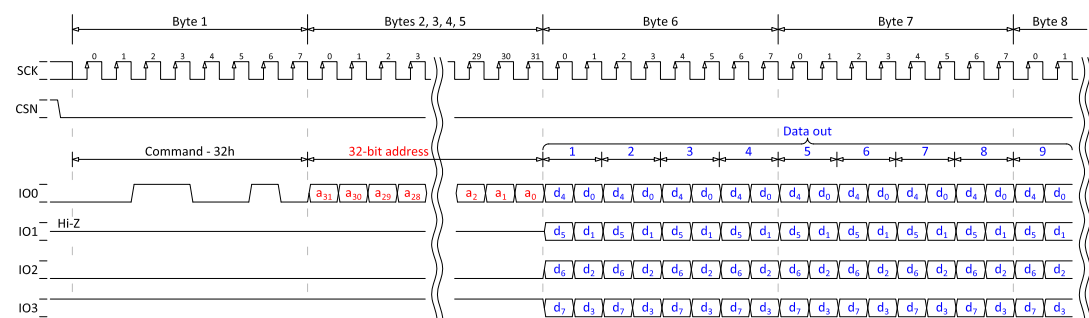


Figure 105: 32-bit PP4O (quad-page program output), SPI MODE = MODE0

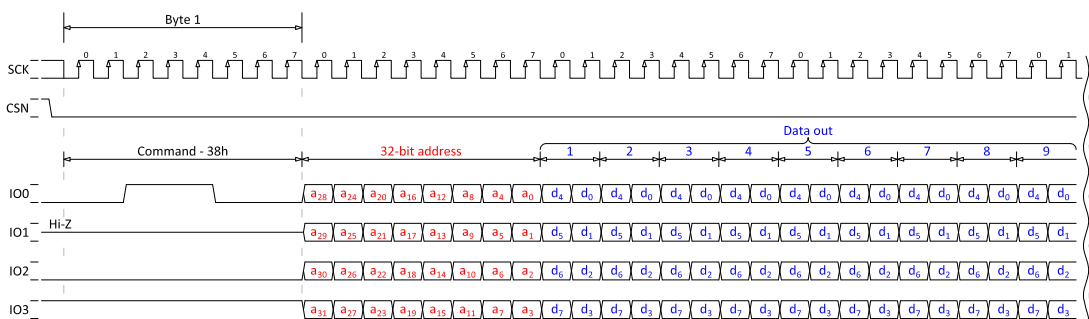


Figure 106: 32-bit PP4IO (quad page program input/output), SPI MODE = MODE0

## 6.19.10 Registers

| Base address | Peripheral | Instance | Description               | Configuration |
|--------------|------------|----------|---------------------------|---------------|
| 0x40029000   | QSPI       | QSPI     | External memory interface |               |

Table 84: Instances

| Register         | Offset | Description  |
|------------------|--------|--|
| TASKS_ACTIVATE   | 0x000  | Activate QSPI interface  |
| TASKS_READSTART  | 0x004  | Start transfer from external flash memory to internal RAM                              |
| TASKS_WRITESTART | 0x008  | Start transfer from internal RAM to external flash memory                              |
| TASKS_ERASESTART | 0x00C  | Start external flash memory erase operation  |
| TASKS_DEACTIVATE | 0x010  | Deactivate QSPI interface  |
| EVENTS_READY     | 0x100  | QSPI peripheral is ready. This event will be generated as a response to any QSPI task. |
| INTEN            | 0x300  | Enable or disable interrupt  |
| INTENSET         | 0x304  | Enable interrupt   |
| INTENCLR         | 0x308  | Disable interrupt  |
| ENABLE           | 0x500  | Enable QSPI peripheral and acquire the pins selected in PSELn registers                |
| READ.SRC         | 0x504  | Flash memory source address  |
| READ.DST         | 0x508  | RAM destination address  |
| READ.CNT         | 0x50C  | Read transfer length   |
| WRITE.DST        | 0x510  | Flash destination address  |
| WRITE.SRC        | 0x514  | RAM source address   |
| WRITE.CNT        | 0x518  | Write transfer length  |
| ERASE.PTR        | 0x51C  | Start address of flash block to be erased  |
| ERASE.LEN        | 0x520  | Size of block to be erased.  |
| PSEL.SCK         | 0x524  | Pin select for serial clock SCK  |
| PSEL.CSN         | 0x528  | Pin select for chip select signal CSN.   |
| PSEL.IO0         | 0x530  | Pin select for serial data MOSI/IO0.   |
| PSEL.IO1         | 0x534  | Pin select for serial data MISO/IO1.   |
| PSEL.IO2         | 0x538  | Pin select for serial data IO2.  |
| PSEL.IO3         | 0x53C  | Pin select for serial data IO3.  |
| XIPOFFSET        | 0x540  | Address offset into the external memory for Execute in Place operation.                |
| IFCONFIG0        | 0x544  | Interface configuration.   |
| IFCONFIG1        | 0x600  | Interface configuration.   |
| STATUS           | 0x604  | Status register.   |
| DPMDUR           | 0x614  | Set the duration required to enter/exit deep power-down mode (DPM).                    |
| ADDRCONF         | 0x624  | Extended address configuration.  |
| CINSTRCONF       | 0x634  | Custom instruction configuration register.   |
| CINSTRDAT0       | 0x638  | Custom instruction data register 0.  |
| CINSTRDAT1       | 0x63C  | Custom instruction data register 1.  |
| IFTIMING         | 0x640  | SPI interface timing.  |

Table 85: Register overview

### 6.19.10.1 TASKS\_ACTIVATE

Address offset: 0x000

Activate QSPI interface

Triggering this task activates the external flash memory interface and initiates communication with the external memory. The READY event is generated when the activation has been completed.

| Bit number | 31         | 30             | 29       | 28    | 27  | 26 | 25 | 24 | 23 | 22 | 21 | 20 | 19 | 18 | 17 | 16 | 15 | 14 | 13 | 12 | 11 | 10 | 9 | 8 | 7 | 6 | 5 | 4 | 3 | 2 | 1 | 0 |
|------------|------------|----------------|----------|-------|---|----|----|----|----|----|----|----|----|----|----|----|----|----|----|----|----|----|---|---|---|---|---|---|---|---|---|---|
| ID         |            |                |          |       |   |    |    |    |    |    |    |    |    |    |    |    |    |    |    |    |    |    |   |   |   |   |   |   |   |   |   | A |
| Reset      | 0x00000000 |                |          |       |   |    |    |    |    |    |    |    |    |    |    |    |    |    |    |    |    |    |   |   |   |   |   |   |   |   |   |   |
| Reset      | 0          | 0              | 0        | 0     | 0   | 0  | 0  | 0  | 0  | 0  | 0  | 0  | 0  | 0  | 0  | 0  | 0  | 0  | 0  | 0  | 0  | 0  | 0 | 0 | 0 | 0 | 0 | 0 | 0 | 0 | 0 | 0 |
| ID         | Acce       | Field          | Value ID | Value | Description   |    |    |    |    |    |    |    |    |    |    |    |    |    |    |    |    |    |   |   |   |   |   |   |   |   |   |   |
| A          | W          | TASKS_ACTIVATE |          |       | Activate QSPI interface   |    |    |    |    |    |    |    |    |    |    |    |    |    |    |    |    |    |   |   |   |   |   |   |   |   |   |   |
|            |            |                |          |       | Triggering this task activates the external flash memory interface and initiates communication with the external memory. The READY event is generated when the activation has been completed. |    |    |    |    |    |    |    |    |    |    |    |    |    |    |    |    |    |   |   |   |   |   |   |   |   |   |   |
|            |            |                | Trigger  | 1     | Trigger task  |    |    |    |    |    |    |    |    |    |    |    |    |    |    |    |    |    |   |   |   |   |   |   |   |   |   |   |

### 6.19.10.2 TASKS\_READSTART

Address offset: 0x004

Start transfer from external flash memory to internal RAM

Start transfer from external flash memory to internal RAM. The READY event will be generated when transfer is complete.

| Bit number | 31         | 30              | 29       | 28    | 27  | 26 | 25 | 24 | 23 | 22 | 21 | 20 | 19 | 18 | 17 | 16 | 15 | 14 | 13 | 12 | 11 | 10 | 9 | 8 | 7 | 6 | 5 | 4 | 3 | 2 | 1 | 0 |
|------------|------------|-----------------|----------|-------|---|----|----|----|----|----|----|----|----|----|----|----|----|----|----|----|----|----|---|---|---|---|---|---|---|---|---|---|
| ID         |            |                 |          |       |   |    |    |    |    |    |    |    |    |    |    |    |    |    |    |    |    |    |   |   |   |   |   |   |   |   |   | A |
| Reset      | 0x00000000 |                 |          |       |   |    |    |    |    |    |    |    |    |    |    |    |    |    |    |    |    |    |   |   |   |   |   |   |   |   |   |   |
| Reset      | 0          | 0               | 0        | 0     | 0   | 0  | 0  | 0  | 0  | 0  | 0  | 0  | 0  | 0  | 0  | 0  | 0  | 0  | 0  | 0  | 0  | 0  | 0 | 0 | 0 | 0 | 0 | 0 | 0 | 0 | 0 |   |
| ID         | Acce       | Field           | Value ID | Value | Description   |    |    |    |    |    |    |    |    |    |    |    |    |    |    |    |    |    |   |   |   |   |   |   |   |   |   |   |
| A          | W          | TASKS_READSTART |          |       | Start transfer from external flash memory to internal RAM   |    |    |    |    |    |    |    |    |    |    |    |    |    |    |    |    |    |   |   |   |   |   |   |   |   |   |   |
|            |            |                 |          |       | Start transfer from external flash memory to internal RAM. The READY event will be generated when transfer is complete. |    |    |    |    |    |    |    |    |    |    |    |    |    |    |    |    |    |   |   |   |   |   |   |   |   |   |   |
|            |            |                 | Trigger  | 1     | Trigger task  |    |    |    |    |    |    |    |    |    |    |    |    |    |    |    |    |    |   |   |   |   |   |   |   |   |   |   |

### 6.19.10.3 TASKS\_WRITESTART

Address offset: 0x008

Start transfer from internal RAM to external flash memory

Start transfer from internal RAM to external flash memory. The READY event will be generated when transfer is complete.

| Bit number | 31         | 30               | 29       | 28    | 27  | 26 | 25 | 24 | 23 | 22 | 21 | 20 | 19 | 18 | 17 | 16 | 15 | 14 | 13 | 12 | 11 | 10 | 9 | 8 | 7 | 6 | 5 | 4 | 3 | 2 | 1 | 0 |
|------------|------------|------------------|----------|-------|---|----|----|----|----|----|----|----|----|----|----|----|----|----|----|----|----|----|---|---|---|---|---|---|---|---|---|---|
| ID         |            |                  |          |       |   |    |    |    |    |    |    |    |    |    |    |    |    |    |    |    |    |    |   |   |   |   |   |   |   |   |   | A |
| Reset      | 0x00000000 |                  |          |       |   |    |    |    |    |    |    |    |    |    |    |    |    |    |    |    |    |    |   |   |   |   |   |   |   |   |   |   |
| Reset      | 0          | 0                | 0        | 0     | 0   | 0  | 0  | 0  | 0  | 0  | 0  | 0  | 0  | 0  | 0  | 0  | 0  | 0  | 0  | 0  | 0  | 0  | 0 | 0 | 0 | 0 | 0 | 0 | 0 | 0 | 0 |   |
| ID         | Acce       | Field            | Value ID | Value | Description   |    |    |    |    |    |    |    |    |    |    |    |    |    |    |    |    |    |   |   |   |   |   |   |   |   |   |   |
| A          | W          | TASKS_WRITESTART |          |       | Start transfer from internal RAM to external flash memory   |    |    |    |    |    |    |    |    |    |    |    |    |    |    |    |    |    |   |   |   |   |   |   |   |   |   |   |
|            |            |                  |          |       | Start transfer from internal RAM to external flash memory. The READY event will be generated when transfer is complete. |    |    |    |    |    |    |    |    |    |    |    |    |    |    |    |    |    |   |   |   |   |   |   |   |   |   |   |
|            |            |                  | Trigger  | 1     | Trigger task  |    |    |    |    |    |    |    |    |    |    |    |    |    |    |    |    |    |   |   |   |   |   |   |   |   |   |   |

### 6.19.10.4 TASKS\_ERASESTART

Address offset: 0x00C

Start external flash memory erase operation

Start external flash memory erase operation. The READY event will be generated when the erase operation has been started. Note, generation of the READY event does not imply that the erase operation is completed.

| Bit number       | 31 30 29 28 27 26 25 24 23 22 21 20 19 18 17 16 15 14 13 12 11 10 9 8 7 6 5 4 3 2 1 0 |                  |       |   |  |  |  |  |  |  |  |  |  |  |  |  |  |  |  |  |  |  |  |  |  |  |  |  |  |  |  |
|------------------|---|------------------|-------|---|--|--|--|--|--|--|--|--|--|--|--|--|--|--|--|--|--|--|--|--|--|--|--|--|--|--|--|
| ID               | A   |                  |       |   |  |  |  |  |  |  |  |  |  |  |  |  |  |  |  |  |  |  |  |  |  |  |  |  |  |  |  |
| Reset 0x00000000 | 0                     |                  |       |   |  |  |  |  |  |  |  |  |  |  |  |  |  |  |  |  |  |  |  |  |  |  |  |  |  |  |  |
| ID               | Acce Field  | Value ID         | Value | Description   |  |  |  |  |  |  |  |  |  |  |  |  |  |  |  |  |  |  |  |  |  |  |  |  |  |  |  |
| A                | W   | TASKS_ERASESTART |       | Start external flash memory erase operation   |  |  |  |  |  |  |  |  |  |  |  |  |  |  |  |  |  |  |  |  |  |  |  |  |  |  |  |
|                  |   |                  |       | Start external flash memory erase operation. The READY event will be generated when the erase operation has been started. Note, generation of the READY event does not imply that the erase operation is completed. |  |  |  |  |  |  |  |  |  |  |  |  |  |  |  |  |  |  |  |  |  |  |  |  |  |  |  |
|                  |   | Trigger          | 1     | Trigger task  |  |  |  |  |  |  |  |  |  |  |  |  |  |  |  |  |  |  |  |  |  |  |  |  |  |  |  |

### 6.19.10.5 TASKS\_DEACTIVATE

Address offset: 0x010

Deactivate QSPI interface

Deactivate QSPI interface. This task might be needed to optimize current consumption in case there are any added current consumption when QSPI interface is activated, but idle.

| Bit number       | 31 30 29 28 27 26 25 24 23 22 21 20 19 18 17 16 15 14 13 12 11 10 9 8 7 6 5 4 3 2 1 0 |                  |       |  |  |  |  |  |  |  |  |  |  |  |  |  |  |  |  |  |  |  |  |  |  |  |  |  |  |  |  |
|------------------|---|------------------|-------|--|--|--|--|--|--|--|--|--|--|--|--|--|--|--|--|--|--|--|--|--|--|--|--|--|--|--|--|
| ID               | A   |                  |       |  |  |  |  |  |  |  |  |  |  |  |  |  |  |  |  |  |  |  |  |  |  |  |  |  |  |  |  |
| Reset 0x00000000 | 0                     |                  |       |  |  |  |  |  |  |  |  |  |  |  |  |  |  |  |  |  |  |  |  |  |  |  |  |  |  |  |  |
| ID               | Acce Field  | Value ID         | Value | Description  |  |  |  |  |  |  |  |  |  |  |  |  |  |  |  |  |  |  |  |  |  |  |  |  |  |  |  |
| A                | W   | TASKS_DEACTIVATE |       | Deactivate QSPI interface  |  |  |  |  |  |  |  |  |  |  |  |  |  |  |  |  |  |  |  |  |  |  |  |  |  |  |  |
|                  |   |                  |       | Deactivate QSPI interface. This task might be needed to optimize current consumption in case there are any added current consumption when QSPI interface is activated, but idle. |  |  |  |  |  |  |  |  |  |  |  |  |  |  |  |  |  |  |  |  |  |  |  |  |  |  |  |
|                  |   | Trigger          | 1     | Trigger task   |  |  |  |  |  |  |  |  |  |  |  |  |  |  |  |  |  |  |  |  |  |  |  |  |  |  |  |

### 6.19.10.6 EVENTS\_READY

Address offset: 0x100

QSPI peripheral is ready. This event will be generated as a response to any QSPI task.

| Bit number       | 31 30 29 28 27 26 25 24 23 22 21 20 19 18 17 16 15 14 13 12 11 10 9 8 7 6 5 4 3 2 1 0 |              |       |  |  |  |  |  |  |  |  |  |  |  |  |  |  |  |  |  |  |  |  |  |  |  |  |  |  |  |  |
|------------------|---|--------------|-------|--|--|--|--|--|--|--|--|--|--|--|--|--|--|--|--|--|--|--|--|--|--|--|--|--|--|--|--|
| ID               | A   |              |       |  |  |  |  |  |  |  |  |  |  |  |  |  |  |  |  |  |  |  |  |  |  |  |  |  |  |  |  |
| Reset 0x00000000 | 0                     |              |       |  |  |  |  |  |  |  |  |  |  |  |  |  |  |  |  |  |  |  |  |  |  |  |  |  |  |  |  |
| ID               | Acce Field  | Value ID     | Value | Description  |  |  |  |  |  |  |  |  |  |  |  |  |  |  |  |  |  |  |  |  |  |  |  |  |  |  |  |
| A                | RW  | EVENTS_READY |       | QSPI peripheral is ready. This event will be generated as a response to any QSPI task. |  |  |  |  |  |  |  |  |  |  |  |  |  |  |  |  |  |  |  |  |  |  |  |  |  |  |  |
|                  |   | NotGenerated | 0     | Event not generated  |  |  |  |  |  |  |  |  |  |  |  |  |  |  |  |  |  |  |  |  |  |  |  |  |  |  |  |
|                  |   | Generated    | 1     | Event generated  |  |  |  |  |  |  |  |  |  |  |  |  |  |  |  |  |  |  |  |  |  |  |  |  |  |  |  |

### 6.19.10.7 INTEN

Address offset: 0x300

Enable or disable interrupt



| Bit number | 31         | 30       | 29    | 28  | 27 | 26 | 25 | 24 | 23 | 22 | 21 | 20 | 19 | 18 | 17 | 16 | 15 | 14 | 13 | 12 | 11 | 10 | 9 | 8 | 7 | 6 | 5 | 4 | 3 | 2 | 1 | 0 |   |
|------------|------------|----------|-------|---|----|----|----|----|----|----|----|----|----|----|----|----|----|----|----|----|----|----|---|---|---|---|---|---|---|---|---|---|---|
| ID         |            |          |       |   |    |    |    |    |    |    |    |    |    |    |    |    |    |    |    |    |    |    |   |   |   |   |   |   |   |   |   | A |   |
| Reset      | 0x00000000 |          |       |   |    |    |    |    |    |    |    |    |    |    |    |    |    |    |    |    |    |    |   |   |   |   |   |   |   |   |   |   |   |
| 0          | 0          | 0        | 0     | 0   | 0  | 0  | 0  | 0  | 0  | 0  | 0  | 0  | 0  | 0  | 0  | 0  | 0  | 0  | 0  | 0  | 0  | 0  | 0 | 0 | 0 | 0 | 0 | 0 | 0 | 0 | 0 | 0 | 0 |
| ID         | Acce Field | Value ID | Value | Description   |    |    |    |    |    |    |    |    |    |    |    |    |    |    |    |    |    |    |   |   |   |   |   |   |   |   |   |   |   |
| A          | RW         | READY    |       | Enable or disable interrupt for event <a href="#">READY</a> |    |    |    |    |    |    |    |    |    |    |    |    |    |    |    |    |    |    |   |   |   |   |   |   |   |   |   |   |   |
|            |            | Disabled | 0     | Disable   |    |    |    |    |    |    |    |    |    |    |    |    |    |    |    |    |    |    |   |   |   |   |   |   |   |   |   |   |   |
|            |            | Enabled  | 1     | Enable  |    |    |    |    |    |    |    |    |    |    |    |    |    |    |    |    |    |    |   |   |   |   |   |   |   |   |   |   |   |

### 6.19.10.8 INTENSET

Address offset: 0x304

Enable interrupt

| Bit number | 31         | 30       | 29    | 28  | 27 | 26 | 25 | 24 | 23 | 22 | 21 | 20 | 19 | 18 | 17 | 16 | 15 | 14 | 13 | 12 | 11 | 10 | 9 | 8 | 7 | 6 | 5 | 4 | 3 | 2 | 1 | 0 |
|------------|------------|----------|-------|---|----|----|----|----|----|----|----|----|----|----|----|----|----|----|----|----|----|----|---|---|---|---|---|---|---|---|---|---|
| ID         |            |          |       |   |    |    |    |    |    |    |    |    |    |    |    |    |    |    |    |    |    |    |   |   |   |   |   |   |   |   |   | A |
| Reset      | 0x00000000 |          |       |   |    |    |    |    |    |    |    |    |    |    |    |    |    |    |    |    |    |    |   |   |   |   |   |   |   |   |   |   |
| 0          | 0          | 0        | 0     | 0   | 0  | 0  | 0  | 0  | 0  | 0  | 0  | 0  | 0  | 0  | 0  | 0  | 0  | 0  | 0  | 0  | 0  | 0  | 0 | 0 | 0 | 0 | 0 | 0 | 0 | 0 | 0 | 0 |
| ID         | Acce Field | Value ID | Value | Description   |    |    |    |    |    |    |    |    |    |    |    |    |    |    |    |    |    |    |   |   |   |   |   |   |   |   |   |   |
| A          | RW         | READY    |       | Write '1' to enable interrupt for event <a href="#">READY</a> |    |    |    |    |    |    |    |    |    |    |    |    |    |    |    |    |    |    |   |   |   |   |   |   |   |   |   |   |
|            |            | Set      | 1     | Enable  |    |    |    |    |    |    |    |    |    |    |    |    |    |    |    |    |    |    |   |   |   |   |   |   |   |   |   |   |
|            |            | Disabled | 0     | Read: Disabled  |    |    |    |    |    |    |    |    |    |    |    |    |    |    |    |    |    |    |   |   |   |   |   |   |   |   |   |   |
|            |            | Enabled  | 1     | Read: Enabled   |    |    |    |    |    |    |    |    |    |    |    |    |    |    |    |    |    |    |   |   |   |   |   |   |   |   |   |   |

### 6.19.10.9 INTENCLR

Address offset: 0x308

Disable interrupt

| Bit number | 31         | 30       | 29    | 28   | 27 | 26 | 25 | 24 | 23 | 22 | 21 | 20 | 19 | 18 | 17 | 16 | 15 | 14 | 13 | 12 | 11 | 10 | 9 | 8 | 7 | 6 | 5 | 4 | 3 | 2 | 1 | 0 |
|------------|------------|----------|-------|--|----|----|----|----|----|----|----|----|----|----|----|----|----|----|----|----|----|----|---|---|---|---|---|---|---|---|---|---|
| ID         |            |          |       |  |    |    |    |    |    |    |    |    |    |    |    |    |    |    |    |    |    |    |   |   |   |   |   |   |   |   |   | A |
| Reset      | 0x00000000 |          |       |  |    |    |    |    |    |    |    |    |    |    |    |    |    |    |    |    |    |    |   |   |   |   |   |   |   |   |   |   |
| 0          | 0          | 0        | 0     | 0  | 0  | 0  | 0  | 0  | 0  | 0  | 0  | 0  | 0  | 0  | 0  | 0  | 0  | 0  | 0  | 0  | 0  | 0  | 0 | 0 | 0 | 0 | 0 | 0 | 0 | 0 | 0 | 0 |
| ID         | Acce Field | Value ID | Value | Description  |    |    |    |    |    |    |    |    |    |    |    |    |    |    |    |    |    |    |   |   |   |   |   |   |   |   |   |   |
| A          | RW         | READY    |       | Write '1' to disable interrupt for event <a href="#">READY</a> |    |    |    |    |    |    |    |    |    |    |    |    |    |    |    |    |    |    |   |   |   |   |   |   |   |   |   |   |
|            |            | Clear    | 1     | Disable  |    |    |    |    |    |    |    |    |    |    |    |    |    |    |    |    |    |    |   |   |   |   |   |   |   |   |   |   |
|            |            | Disabled | 0     | Read: Disabled   |    |    |    |    |    |    |    |    |    |    |    |    |    |    |    |    |    |    |   |   |   |   |   |   |   |   |   |   |
|            |            | Enabled  | 1     | Read: Enabled  |    |    |    |    |    |    |    |    |    |    |    |    |    |    |    |    |    |    |   |   |   |   |   |   |   |   |   |   |

### 6.19.10.10 ENABLE

Address offset: 0x500

Enable QSPI peripheral and acquire the pins selected in PSELn registers

| Bit number | 31         | 30       | 29    | 28                     | 27 | 26 | 25 | 24 | 23 | 22 | 21 | 20 | 19 | 18 | 17 | 16 | 15 | 14 | 13 | 12 | 11 | 10 | 9 | 8 | 7 | 6 | 5 | 4 | 3 | 2 | 1 | 0 |
|------------|------------|----------|-------|------------------------|----|----|----|----|----|----|----|----|----|----|----|----|----|----|----|----|----|----|---|---|---|---|---|---|---|---|---|---|
| ID         |            |          |       |                        |    |    |    |    |    |    |    |    |    |    |    |    |    |    |    |    |    |    |   |   |   |   |   |   |   |   |   | A |
| Reset      | 0x00000000 |          |       |                        |    |    |    |    |    |    |    |    |    |    |    |    |    |    |    |    |    |    |   |   |   |   |   |   |   |   |   |   |
| 0          | 0          | 0        | 0     | 0                      | 0  | 0  | 0  | 0  | 0  | 0  | 0  | 0  | 0  | 0  | 0  | 0  | 0  | 0  | 0  | 0  | 0  | 0  | 0 | 0 | 0 | 0 | 0 | 0 | 0 | 0 | 0 | 0 |
| ID         | Acce Field | Value ID | Value | Description            |    |    |    |    |    |    |    |    |    |    |    |    |    |    |    |    |    |    |   |   |   |   |   |   |   |   |   |   |
| A          | RW         | ENABLE   |       | Enable or disable QSPI |    |    |    |    |    |    |    |    |    |    |    |    |    |    |    |    |    |    |   |   |   |   |   |   |   |   |   |   |
|            |            | Disabled | 0     | Disable QSPI           |    |    |    |    |    |    |    |    |    |    |    |    |    |    |    |    |    |    |   |   |   |   |   |   |   |   |   |   |
|            |            | Enabled  | 1     | Enable QSPI            |    |    |    |    |    |    |    |    |    |    |    |    |    |    |    |    |    |    |   |   |   |   |   |   |   |   |   |   |

### 6.19.10.11 READ.SRC

Address offset: 0x504

## Flash memory source address

|                         |            |          |          |   |          |          |          |          |          |          |          |          |          |          |          |          |          |          |          |          |          |          |          |          |          |          |          |          |          |          |          |   |
|-------------------------|------------|----------|----------|---|----------|----------|----------|----------|----------|----------|----------|----------|----------|----------|----------|----------|----------|----------|----------|----------|----------|----------|----------|----------|----------|----------|----------|----------|----------|----------|----------|---|
| Bit number              | 31         | 30       | 29       | 28  | 27       | 26       | 25       | 24       | 23       | 22       | 21       | 20       | 19       | 18       | 17       | 16       | 15       | 14       | 13       | 12       | 11       | 10       | 9        | 8        | 7        | 6        | 5        | 4        | 3        | 2        | 1        | 0 |
| ID                      | A          | A        | A        | A   | A        | A        | A        | A        | A        | A        | A        | A        | A        | A        | A        | A        | A        | A        | A        | A        | A        | A        | A        | A        | A        | A        | A        | A        | A        | A        | A        | A |
| <b>Reset 0x00000000</b> | <b>0</b>   | <b>0</b> | <b>0</b> | <b>0</b>                                  | <b>0</b> | <b>0</b> | <b>0</b> | <b>0</b> | <b>0</b> | <b>0</b> | <b>0</b> | <b>0</b> | <b>0</b> | <b>0</b> | <b>0</b> | <b>0</b> | <b>0</b> | <b>0</b> | <b>0</b> | <b>0</b> | <b>0</b> | <b>0</b> | <b>0</b> | <b>0</b> | <b>0</b> | <b>0</b> | <b>0</b> | <b>0</b> | <b>0</b> | <b>0</b> | <b>0</b> |   |
| ID                      | Acce Field | Value ID | Value    | Description                               |          |          |          |          |          |          |          |          |          |          |          |          |          |          |          |          |          |          |          |          |          |          |          |          |          |          |          |   |
| A                       | RW         | SRC      |          | Word-aligned flash memory source address. |          |          |          |          |          |          |          |          |          |          |          |          |          |          |          |          |          |          |          |          |          |          |          |          |          |          |          |   |

## 6.19.10.12 READ.DST

Address offset: 0x508

RAM destination address

|                         |            |          |          |                                       |          |          |          |          |          |          |          |          |          |          |          |          |          |          |          |          |          |          |          |          |          |          |          |          |          |          |          |   |
|-------------------------|------------|----------|----------|---------------------------------------|----------|----------|----------|----------|----------|----------|----------|----------|----------|----------|----------|----------|----------|----------|----------|----------|----------|----------|----------|----------|----------|----------|----------|----------|----------|----------|----------|---|
| Bit number              | 31         | 30       | 29       | 28                                    | 27       | 26       | 25       | 24       | 23       | 22       | 21       | 20       | 19       | 18       | 17       | 16       | 15       | 14       | 13       | 12       | 11       | 10       | 9        | 8        | 7        | 6        | 5        | 4        | 3        | 2        | 1        | 0 |
| ID                      | A          | A        | A        | A                                     | A        | A        | A        | A        | A        | A        | A        | A        | A        | A        | A        | A        | A        | A        | A        | A        | A        | A        | A        | A        | A        | A        | A        | A        | A        | A        | A        | A |
| <b>Reset 0x00000000</b> | <b>0</b>   | <b>0</b> | <b>0</b> | <b>0</b>                              | <b>0</b> | <b>0</b> | <b>0</b> | <b>0</b> | <b>0</b> | <b>0</b> | <b>0</b> | <b>0</b> | <b>0</b> | <b>0</b> | <b>0</b> | <b>0</b> | <b>0</b> | <b>0</b> | <b>0</b> | <b>0</b> | <b>0</b> | <b>0</b> | <b>0</b> | <b>0</b> | <b>0</b> | <b>0</b> | <b>0</b> | <b>0</b> | <b>0</b> | <b>0</b> | <b>0</b> |   |
| ID                      | Acce Field | Value ID | Value    | Description                           |          |          |          |          |          |          |          |          |          |          |          |          |          |          |          |          |          |          |          |          |          |          |          |          |          |          |          |   |
| A                       | RW         | DST      |          | Word-aligned RAM destination address. |          |          |          |          |          |          |          |          |          |          |          |          |          |          |          |          |          |          |          |          |          |          |          |          |          |          |          |   |

## 6.19.10.13 READ.CNT

Address offset: 0x50C

Read transfer length

|                         |            |          |             |  |          |          |          |          |          |          |          |          |          |          |          |          |          |          |          |          |          |          |          |          |          |          |          |          |          |          |          |   |  |
|-------------------------|------------|----------|-------------|--|----------|----------|----------|----------|----------|----------|----------|----------|----------|----------|----------|----------|----------|----------|----------|----------|----------|----------|----------|----------|----------|----------|----------|----------|----------|----------|----------|---|--|
| Bit number              | 31         | 30       | 29          | 28   | 27       | 26       | 25       | 24       | 23       | 22       | 21       | 20       | 19       | 18       | 17       | 16       | 15       | 14       | 13       | 12       | 11       | 10       | 9        | 8        | 7        | 6        | 5        | 4        | 3        | 2        | 1        | 0 |  |
| ID                      |            |          |             |  |          |          |          |          |          |          |          |          |          |          |          |          |          |          |          |          |          |          |          |          |          |          |          |          |          |          |          |   |  |
| <b>Reset 0x00000000</b> | <b>0</b>   | <b>0</b> | <b>0</b>    | <b>0</b>   | <b>0</b> | <b>0</b> | <b>0</b> | <b>0</b> | <b>0</b> | <b>0</b> | <b>0</b> | <b>0</b> | <b>0</b> | <b>0</b> | <b>0</b> | <b>0</b> | <b>0</b> | <b>0</b> | <b>0</b> | <b>0</b> | <b>0</b> | <b>0</b> | <b>0</b> | <b>0</b> | <b>0</b> | <b>0</b> | <b>0</b> | <b>0</b> | <b>0</b> | <b>0</b> | <b>0</b> |   |  |
| ID                      | Acce Field | Value ID | Value       | Description  |          |          |          |          |          |          |          |          |          |          |          |          |          |          |          |          |          |          |          |          |          |          |          |          |          |          |          |   |  |
| A                       | RW         | CNT      | [1..0x3FFF] | Read transfer length in number of bytes. The length must be a multiple of 4 bytes. |          |          |          |          |          |          |          |          |          |          |          |          |          |          |          |          |          |          |          |          |          |          |          |          |          |          |          |   |  |

## 6.19.10.14 WRITE.DST

Address offset: 0x510

Flash destination address

|                         |            |          |          |   |          |          |          |          |          |          |          |          |          |          |          |          |          |          |          |          |          |          |          |          |          |          |          |          |          |          |          |   |
|-------------------------|------------|----------|----------|---|----------|----------|----------|----------|----------|----------|----------|----------|----------|----------|----------|----------|----------|----------|----------|----------|----------|----------|----------|----------|----------|----------|----------|----------|----------|----------|----------|---|
| Bit number              | 31         | 30       | 29       | 28                                      | 27       | 26       | 25       | 24       | 23       | 22       | 21       | 20       | 19       | 18       | 17       | 16       | 15       | 14       | 13       | 12       | 11       | 10       | 9        | 8        | 7        | 6        | 5        | 4        | 3        | 2        | 1        | 0 |
| ID                      | A          | A        | A        | A                                       | A        | A        | A        | A        | A        | A        | A        | A        | A        | A        | A        | A        | A        | A        | A        | A        | A        | A        | A        | A        | A        | A        | A        | A        | A        | A        | A        | A |
| <b>Reset 0x00000000</b> | <b>0</b>   | <b>0</b> | <b>0</b> | <b>0</b>                                | <b>0</b> | <b>0</b> | <b>0</b> | <b>0</b> | <b>0</b> | <b>0</b> | <b>0</b> | <b>0</b> | <b>0</b> | <b>0</b> | <b>0</b> | <b>0</b> | <b>0</b> | <b>0</b> | <b>0</b> | <b>0</b> | <b>0</b> | <b>0</b> | <b>0</b> | <b>0</b> | <b>0</b> | <b>0</b> | <b>0</b> | <b>0</b> | <b>0</b> | <b>0</b> | <b>0</b> |   |
| ID                      | Acce Field | Value ID | Value    | Description                             |          |          |          |          |          |          |          |          |          |          |          |          |          |          |          |          |          |          |          |          |          |          |          |          |          |          |          |   |
| A                       | RW         | DST      |          | Word-aligned flash destination address. |          |          |          |          |          |          |          |          |          |          |          |          |          |          |          |          |          |          |          |          |          |          |          |          |          |          |          |   |

## 6.19.10.15 WRITE.SRC

Address offset: 0x514

RAM source address

|                         |            |          |       |                                  |    |    |    |    |    |    |    |    |    |    |    |    |    |    |    |    |    |    |   |   |   |   |   |   |   |   |   |   |
|-------------------------|------------|----------|-------|----------------------------------|----|----|----|----|----|----|----|----|----|----|----|----|----|----|----|----|----|----|---|---|---|---|---|---|---|---|---|---|
| Bit number              | 31         | 30       | 29    | 28                               | 27 | 26 | 25 | 24 | 23 | 22 | 21 | 20 | 19 | 18 | 17 | 16 | 15 | 14 | 13 | 12 | 11 | 10 | 9 | 8 | 7 | 6 | 5 | 4 | 3 | 2 | 1 | 0 |
| ID                      | A          | A        | A     | A                                | A  | A  | A  | A  | A  | A  | A  | A  | A  | A  | A  | A  | A  | A  | A  | A  | A  | A  | A | A | A | A | A | A | A | A | A | A |
| <b>Reset 0x00000000</b> | 0          | 0        | 0     | 0                                | 0  | 0  | 0  | 0  | 0  | 0  | 0  | 0  | 0  | 0  | 0  | 0  | 0  | 0  | 0  | 0  | 0  | 0  | 0 | 0 | 0 | 0 | 0 | 0 | 0 | 0 | 0 | 0 |
| ID                      | Acce Field | Value ID | Value | Description                      |    |    |    |    |    |    |    |    |    |    |    |    |    |    |    |    |    |    |   |   |   |   |   |   |   |   |   |   |
| A                       | RW SRC     |          |       | Word-aligned RAM source address. |    |    |    |    |    |    |    |    |    |    |    |    |    |    |    |    |    |    |   |   |   |   |   |   |   |   |   |   |

### 6.19.10.16 WRITE.CNT

Address offset: 0x518

Write transfer length

|                         |            |          |              |   |    |    |    |    |    |    |    |    |    |    |    |    |    |    |    |    |    |    |   |   |   |   |   |   |   |   |   |   |
|-------------------------|------------|----------|--------------|---|----|----|----|----|----|----|----|----|----|----|----|----|----|----|----|----|----|----|---|---|---|---|---|---|---|---|---|---|
| Bit number              | 31         | 30       | 29           | 28  | 27 | 26 | 25 | 24 | 23 | 22 | 21 | 20 | 19 | 18 | 17 | 16 | 15 | 14 | 13 | 12 | 11 | 10 | 9 | 8 | 7 | 6 | 5 | 4 | 3 | 2 | 1 | 0 |
| ID                      |            |          |              |   |    |    |    |    |    |    |    |    |    |    |    |    |    |    |    |    | A  | A  | A | A | A | A | A | A | A | A | A | A |
| <b>Reset 0x00000000</b> | 0          | 0        | 0            | 0   | 0  | 0  | 0  | 0  | 0  | 0  | 0  | 0  | 0  | 0  | 0  | 0  | 0  | 0  | 0  | 0  | 0  | 0  | 0 | 0 | 0 | 0 | 0 | 0 | 0 | 0 | 0 | 0 |
| ID                      | Acce Field | Value ID | Value        | Description   |    |    |    |    |    |    |    |    |    |    |    |    |    |    |    |    |    |    |   |   |   |   |   |   |   |   |   |   |
| A                       | RW CNT     |          | [1..0x3FFFF] | Write transfer length in number of bytes. The length must be a multiple of 4 bytes. |    |    |    |    |    |    |    |    |    |    |    |    |    |    |    |    |    |    |   |   |   |   |   |   |   |   |   |   |

### 6.19.10.17 ERASE.PTR

Address offset: 0x51C

Start address of flash block to be erased

|                         |            |          |       |   |    |    |    |    |    |    |    |    |    |    |    |    |    |    |    |    |    |    |   |   |   |   |   |   |   |   |   |   |
|-------------------------|------------|----------|-------|---|----|----|----|----|----|----|----|----|----|----|----|----|----|----|----|----|----|----|---|---|---|---|---|---|---|---|---|---|
| Bit number              | 31         | 30       | 29    | 28  | 27 | 26 | 25 | 24 | 23 | 22 | 21 | 20 | 19 | 18 | 17 | 16 | 15 | 14 | 13 | 12 | 11 | 10 | 9 | 8 | 7 | 6 | 5 | 4 | 3 | 2 | 1 | 0 |
| ID                      | A          | A        | A     | A   | A  | A  | A  | A  | A  | A  | A  | A  | A  | A  | A  | A  | A  | A  | A  | A  | A  | A  | A | A | A | A | A | A | A | A | A | A |
| <b>Reset 0x00000000</b> | 0          | 0        | 0     | 0   | 0  | 0  | 0  | 0  | 0  | 0  | 0  | 0  | 0  | 0  | 0  | 0  | 0  | 0  | 0  | 0  | 0  | 0  | 0 | 0 | 0 | 0 | 0 | 0 | 0 | 0 | 0 | 0 |
| ID                      | Acce Field | Value ID | Value | Description                                       |    |    |    |    |    |    |    |    |    |    |    |    |    |    |    |    |    |    |   |   |   |   |   |   |   |   |   |   |
| A                       | RW PTR     |          |       | Word-aligned start address of block to be erased. |    |    |    |    |    |    |    |    |    |    |    |    |    |    |    |    |    |    |   |   |   |   |   |   |   |   |   |   |

### 6.19.10.18 ERASE.LEN

Address offset: 0x520

Size of block to be erased.

|                         |            |          |       |  |    |    |    |    |    |    |    |    |    |    |    |    |    |    |    |    |    |    |   |   |   |   |   |   |   |   |   |   |   |
|-------------------------|------------|----------|-------|--|----|----|----|----|----|----|----|----|----|----|----|----|----|----|----|----|----|----|---|---|---|---|---|---|---|---|---|---|---|
| Bit number              | 31         | 30       | 29    | 28                                     | 27 | 26 | 25 | 24 | 23 | 22 | 21 | 20 | 19 | 18 | 17 | 16 | 15 | 14 | 13 | 12 | 11 | 10 | 9 | 8 | 7 | 6 | 5 | 4 | 3 | 2 | 1 | 0 |   |
| ID                      |            |          |       |  |    |    |    |    |    |    |    |    |    |    |    |    |    |    |    |    |    |    |   |   |   |   |   |   |   |   |   | A | A |
| <b>Reset 0x00000000</b> | 0          | 0        | 0     | 0                                      | 0  | 0  | 0  | 0  | 0  | 0  | 0  | 0  | 0  | 0  | 0  | 0  | 0  | 0  | 0  | 0  | 0  | 0  | 0 | 0 | 0 | 0 | 0 | 0 | 0 | 0 | 0 | 0 |   |
| ID                      | Acce Field | Value ID | Value | Description                            |    |    |    |    |    |    |    |    |    |    |    |    |    |    |    |    |    |    |   |   |   |   |   |   |   |   |   |   |   |
| A                       | RW LEN     |          |       | LEN                                    |    |    |    |    |    |    |    |    |    |    |    |    |    |    |    |    |    |    |   |   |   |   |   |   |   |   |   |   |   |
|                         |            | 4KB      | 0     | Erase 4 kB block (flash command 0x20)  |    |    |    |    |    |    |    |    |    |    |    |    |    |    |    |    |    |    |   |   |   |   |   |   |   |   |   |   |   |
|                         |            | 64KB     | 1     | Erase 64 kB block (flash command 0xD8) |    |    |    |    |    |    |    |    |    |    |    |    |    |    |    |    |    |    |   |   |   |   |   |   |   |   |   |   |   |
|                         |            | All      | 2     | Erase all (flash command 0xC7)         |    |    |    |    |    |    |    |    |    |    |    |    |    |    |    |    |    |    |   |   |   |   |   |   |   |   |   |   |   |

### 6.19.10.19 PSEL.SCK

Address offset: 0x524

Pin select for serial clock SCK

| Bit number              | 31 30 29 28 27 26 25 24 23 22 21 20 19 18 17 16 15 14 13 12 11 10 9 8 7 6 5 4 3 2 1 0 |              |         |             |  |  |  |  |  |  |  |  |  |  |  |  |  |  |  |  |  |  |  |  |  |  |  |  |   |  |  |   |   |   |   |
|-------------------------|---|--------------|---------|-------------|--|--|--|--|--|--|--|--|--|--|--|--|--|--|--|--|--|--|--|--|--|--|--|--|---|--|--|---|---|---|---|
| ID                      | C   |              |         |             |  |  |  |  |  |  |  |  |  |  |  |  |  |  |  |  |  |  |  |  |  |  |  |  | B |  |  | A | A | A | A |
| <b>Reset 0xFFFFFFFF</b> | <b>1 1</b>    |              |         |             |  |  |  |  |  |  |  |  |  |  |  |  |  |  |  |  |  |  |  |  |  |  |  |  |   |  |  |   |   |   |   |
| ID                      | Acce Field  | Value ID     | Value   | Description |  |  |  |  |  |  |  |  |  |  |  |  |  |  |  |  |  |  |  |  |  |  |  |  |   |  |  |   |   |   |   |
| A                       | RW PIN  |              | [0..31] | Pin number  |  |  |  |  |  |  |  |  |  |  |  |  |  |  |  |  |  |  |  |  |  |  |  |  |   |  |  |   |   |   |   |
| B                       | RW PORT   |              | [0..1]  | Port number |  |  |  |  |  |  |  |  |  |  |  |  |  |  |  |  |  |  |  |  |  |  |  |  |   |  |  |   |   |   |   |
| C                       | RW CONNECT  | Disconnected | 1       | Disconnect  |  |  |  |  |  |  |  |  |  |  |  |  |  |  |  |  |  |  |  |  |  |  |  |  |   |  |  |   |   |   |   |
|                         |   | Connected    | 0       | Connect     |  |  |  |  |  |  |  |  |  |  |  |  |  |  |  |  |  |  |  |  |  |  |  |  |   |  |  |   |   |   |   |

### 6.19.10.20 PSEL.CSN

Address offset: 0x528

Pin select for chip select signal CSN.

| Bit number              | 31 30 29 28 27 26 25 24 23 22 21 20 19 18 17 16 15 14 13 12 11 10 9 8 7 6 5 4 3 2 1 0 |              |         |             |  |  |  |  |  |  |  |  |  |  |  |  |  |  |  |  |  |  |  |  |  |  |  |  |   |  |  |   |   |   |   |
|-------------------------|---|--------------|---------|-------------|--|--|--|--|--|--|--|--|--|--|--|--|--|--|--|--|--|--|--|--|--|--|--|--|---|--|--|---|---|---|---|
| ID                      | C   |              |         |             |  |  |  |  |  |  |  |  |  |  |  |  |  |  |  |  |  |  |  |  |  |  |  |  | B |  |  | A | A | A | A |
| <b>Reset 0xFFFFFFFF</b> | <b>1 1</b>    |              |         |             |  |  |  |  |  |  |  |  |  |  |  |  |  |  |  |  |  |  |  |  |  |  |  |  |   |  |  |   |   |   |   |
| ID                      | Acce Field  | Value ID     | Value   | Description |  |  |  |  |  |  |  |  |  |  |  |  |  |  |  |  |  |  |  |  |  |  |  |  |   |  |  |   |   |   |   |
| A                       | RW PIN  |              | [0..31] | Pin number  |  |  |  |  |  |  |  |  |  |  |  |  |  |  |  |  |  |  |  |  |  |  |  |  |   |  |  |   |   |   |   |
| B                       | RW PORT   |              | [0..1]  | Port number |  |  |  |  |  |  |  |  |  |  |  |  |  |  |  |  |  |  |  |  |  |  |  |  |   |  |  |   |   |   |   |
| C                       | RW CONNECT  | Disconnected | 1       | Disconnect  |  |  |  |  |  |  |  |  |  |  |  |  |  |  |  |  |  |  |  |  |  |  |  |  |   |  |  |   |   |   |   |
|                         |   | Connected    | 0       | Connect     |  |  |  |  |  |  |  |  |  |  |  |  |  |  |  |  |  |  |  |  |  |  |  |  |   |  |  |   |   |   |   |

### 6.19.10.21 PSEL.IO0

Address offset: 0x530

Pin select for serial data MOSI/IO0.

| Bit number              | 31 30 29 28 27 26 25 24 23 22 21 20 19 18 17 16 15 14 13 12 11 10 9 8 7 6 5 4 3 2 1 0 |              |         |             |  |  |  |  |  |  |  |  |  |  |  |  |  |  |  |  |  |  |  |  |  |  |  |  |   |  |  |   |   |   |   |
|-------------------------|---|--------------|---------|-------------|--|--|--|--|--|--|--|--|--|--|--|--|--|--|--|--|--|--|--|--|--|--|--|--|---|--|--|---|---|---|---|
| ID                      | C   |              |         |             |  |  |  |  |  |  |  |  |  |  |  |  |  |  |  |  |  |  |  |  |  |  |  |  | B |  |  | A | A | A | A |
| <b>Reset 0xFFFFFFFF</b> | <b>1 1</b>    |              |         |             |  |  |  |  |  |  |  |  |  |  |  |  |  |  |  |  |  |  |  |  |  |  |  |  |   |  |  |   |   |   |   |
| ID                      | Acce Field  | Value ID     | Value   | Description |  |  |  |  |  |  |  |  |  |  |  |  |  |  |  |  |  |  |  |  |  |  |  |  |   |  |  |   |   |   |   |
| A                       | RW PIN  |              | [0..31] | Pin number  |  |  |  |  |  |  |  |  |  |  |  |  |  |  |  |  |  |  |  |  |  |  |  |  |   |  |  |   |   |   |   |
| B                       | RW PORT   |              | [0..1]  | Port number |  |  |  |  |  |  |  |  |  |  |  |  |  |  |  |  |  |  |  |  |  |  |  |  |   |  |  |   |   |   |   |
| C                       | RW CONNECT  | Disconnected | 1       | Disconnect  |  |  |  |  |  |  |  |  |  |  |  |  |  |  |  |  |  |  |  |  |  |  |  |  |   |  |  |   |   |   |   |
|                         |   | Connected    | 0       | Connect     |  |  |  |  |  |  |  |  |  |  |  |  |  |  |  |  |  |  |  |  |  |  |  |  |   |  |  |   |   |   |   |

### 6.19.10.22 PSEL.IO1

Address offset: 0x534

Pin select for serial data MISO/IO1.

| Bit number      | 31         | 30           | 29      | 28          | 27 | 26 | 25 | 24 | 23 | 22 | 21 | 20 | 19 | 18 | 17 | 16 | 15 | 14 | 13 | 12 | 11 | 10 | 9 | 8 | 7 | 6 | 5 | 4 | 3 | 2 | 1 | 0 |
|-----------------|------------|--------------|---------|-------------|----|----|----|----|----|----|----|----|----|----|----|----|----|----|----|----|----|----|---|---|---|---|---|---|---|---|---|---|
| ID              | C          |              |         |             |    |    |    |    |    |    |    |    |    |    |    |    |    |    |    |    |    |    |   |   | B |   |   |   | A | A | A | A |
| Reset 0xFFFFFFF | 1          | 1            | 1       | 1           | 1  | 1  | 1  | 1  | 1  | 1  | 1  | 1  | 1  | 1  | 1  | 1  | 1  | 1  | 1  | 1  | 1  | 1  | 1 | 1 | 1 | 1 | 1 | 1 | 1 | 1 | 1 |   |
| ID              | Acce Field | Value ID     | Value   | Description |    |    |    |    |    |    |    |    |    |    |    |    |    |    |    |    |    |    |   |   |   |   |   |   |   |   |   |   |
| A               | RW PIN     |              | [0..31] | Pin number  |    |    |    |    |    |    |    |    |    |    |    |    |    |    |    |    |    |    |   |   |   |   |   |   |   |   |   |   |
| B               | RW PORT    |              | [0..1]  | Port number |    |    |    |    |    |    |    |    |    |    |    |    |    |    |    |    |    |    |   |   |   |   |   |   |   |   |   |   |
| C               | RW CONNECT |              |         | Connection  |    |    |    |    |    |    |    |    |    |    |    |    |    |    |    |    |    |    |   |   |   |   |   |   |   |   |   |   |
|                 |            | Disconnected | 1       | Disconnect  |    |    |    |    |    |    |    |    |    |    |    |    |    |    |    |    |    |    |   |   |   |   |   |   |   |   |   |   |
|                 |            | Connected    | 0       | Connect     |    |    |    |    |    |    |    |    |    |    |    |    |    |    |    |    |    |    |   |   |   |   |   |   |   |   |   |   |

### 6.19.10.23 PSEL.IO2

Address offset: 0x538

Pin select for serial data IO2.

| Bit number      | 31         | 30           | 29      | 28          | 27 | 26 | 25 | 24 | 23 | 22 | 21 | 20 | 19 | 18 | 17 | 16 | 15 | 14 | 13 | 12 | 11 | 10 | 9 | 8 | 7 | 6 | 5 | 4 | 3 | 2 | 1 | 0 |
|-----------------|------------|--------------|---------|-------------|----|----|----|----|----|----|----|----|----|----|----|----|----|----|----|----|----|----|---|---|---|---|---|---|---|---|---|---|
| ID              | C          |              |         |             |    |    |    |    |    |    |    |    |    |    |    |    |    |    |    |    |    |    |   |   | B |   |   |   | A | A | A | A |
| Reset 0xFFFFFFF | 1          | 1            | 1       | 1           | 1  | 1  | 1  | 1  | 1  | 1  | 1  | 1  | 1  | 1  | 1  | 1  | 1  | 1  | 1  | 1  | 1  | 1  | 1 | 1 | 1 | 1 | 1 | 1 | 1 | 1 | 1 |   |
| ID              | Acce Field | Value ID     | Value   | Description |    |    |    |    |    |    |    |    |    |    |    |    |    |    |    |    |    |    |   |   |   |   |   |   |   |   |   |   |
| A               | RW PIN     |              | [0..31] | Pin number  |    |    |    |    |    |    |    |    |    |    |    |    |    |    |    |    |    |    |   |   |   |   |   |   |   |   |   |   |
| B               | RW PORT    |              | [0..1]  | Port number |    |    |    |    |    |    |    |    |    |    |    |    |    |    |    |    |    |    |   |   |   |   |   |   |   |   |   |   |
| C               | RW CONNECT |              |         | Connection  |    |    |    |    |    |    |    |    |    |    |    |    |    |    |    |    |    |    |   |   |   |   |   |   |   |   |   |   |
|                 |            | Disconnected | 1       | Disconnect  |    |    |    |    |    |    |    |    |    |    |    |    |    |    |    |    |    |    |   |   |   |   |   |   |   |   |   |   |
|                 |            | Connected    | 0       | Connect     |    |    |    |    |    |    |    |    |    |    |    |    |    |    |    |    |    |    |   |   |   |   |   |   |   |   |   |   |

### 6.19.10.24 PSEL.IO3

Address offset: 0x53C

Pin select for serial data IO3.

| Bit number      | 31         | 30           | 29      | 28          | 27 | 26 | 25 | 24 | 23 | 22 | 21 | 20 | 19 | 18 | 17 | 16 | 15 | 14 | 13 | 12 | 11 | 10 | 9 | 8 | 7 | 6 | 5 | 4 | 3 | 2 | 1 | 0 |
|-----------------|------------|--------------|---------|-------------|----|----|----|----|----|----|----|----|----|----|----|----|----|----|----|----|----|----|---|---|---|---|---|---|---|---|---|---|
| ID              | C          |              |         |             |    |    |    |    |    |    |    |    |    |    |    |    |    |    |    |    |    |    |   |   | B |   |   |   | A | A | A | A |
| Reset 0xFFFFFFF | 1          | 1            | 1       | 1           | 1  | 1  | 1  | 1  | 1  | 1  | 1  | 1  | 1  | 1  | 1  | 1  | 1  | 1  | 1  | 1  | 1  | 1  | 1 | 1 | 1 | 1 | 1 | 1 | 1 | 1 | 1 |   |
| ID              | Acce Field | Value ID     | Value   | Description |    |    |    |    |    |    |    |    |    |    |    |    |    |    |    |    |    |    |   |   |   |   |   |   |   |   |   |   |
| A               | RW PIN     |              | [0..31] | Pin number  |    |    |    |    |    |    |    |    |    |    |    |    |    |    |    |    |    |    |   |   |   |   |   |   |   |   |   |   |
| B               | RW PORT    |              | [0..1]  | Port number |    |    |    |    |    |    |    |    |    |    |    |    |    |    |    |    |    |    |   |   |   |   |   |   |   |   |   |   |
| C               | RW CONNECT |              |         | Connection  |    |    |    |    |    |    |    |    |    |    |    |    |    |    |    |    |    |    |   |   |   |   |   |   |   |   |   |   |
|                 |            | Disconnected | 1       | Disconnect  |    |    |    |    |    |    |    |    |    |    |    |    |    |    |    |    |    |    |   |   |   |   |   |   |   |   |   |   |
|                 |            | Connected    | 0       | Connect     |    |    |    |    |    |    |    |    |    |    |    |    |    |    |    |    |    |    |   |   |   |   |   |   |   |   |   |   |

### 6.19.10.25 XIPOFFSET

Address offset: 0x540

Address offset into the external memory for Execute in Place operation.

| Bit number       | 31           | 30       | 29    | 28   | 27 | 26 | 25 | 24 | 23 | 22 | 21 | 20 | 19 | 18 | 17 | 16 | 15 | 14 | 13 | 12 | 11 | 10 | 9 | 8 | 7 | 6 | 5 | 4 | 3 | 2 | 1 | 0 |
|------------------|--------------|----------|-------|--|----|----|----|----|----|----|----|----|----|----|----|----|----|----|----|----|----|----|---|---|---|---|---|---|---|---|---|---|
| ID               | A            | A        | A     | A  | A  | A  | A  | A  | A  | A  | A  | A  | A  | A  | A  | A  | A  | A  | A  | A  | A  | A  | A | A | A | A | A | A | A | A | A |   |
| Reset 0x00000000 | 0            | 0        | 0     | 0  | 0  | 0  | 0  | 0  | 0  | 0  | 0  | 0  | 0  | 0  | 0  | 0  | 0  | 0  | 0  | 0  | 0  | 0  | 0 | 0 | 0 | 0 | 0 | 0 | 0 | 0 | 0 |   |
| ID               | Acce Field   | Value ID | Value | Description  |    |    |    |    |    |    |    |    |    |    |    |    |    |    |    |    |    |    |   |   |   |   |   |   |   |   |   |   |
| A                | RW XIPOFFSET |          |       | Address offset into the external memory for Execute in Place operation. Value must be a multiple of 4. |    |    |    |    |    |    |    |    |    |    |    |    |    |    |    |    |    |    |   |   |   |   |   |   |   |   |   |   |

### 6.19.10.26 IFCONFIG0

Address offset: 0x544

Interface configuration.

| Bit number              | 31 30 29 28 27 26 25 24 23 22 21 20 19 18 17 16 15 14 13 12 11 10 9 8 7 6 5 4 3 2 1 0 |          |       |   |  |  |  |  |  |  |  |  |  |  |  |                 |  |  |  |  |  |  |  |  |  |  |  |  |  |  |  |
|-------------------------|---|----------|-------|---|--|--|--|--|--|--|--|--|--|--|--|-----------------|--|--|--|--|--|--|--|--|--|--|--|--|--|--|--|
| ID                      | G   |          |       |   |  |  |  |  |  |  |  |  |  |  |  | D C B B B A A A |  |  |  |  |  |  |  |  |  |  |  |  |  |  |  |
| <b>Reset 0x00000000</b> | <b>0 0</b>                |          |       |   |  |  |  |  |  |  |  |  |  |  |  |                 |  |  |  |  |  |  |  |  |  |  |  |  |  |  |  |
| ID                      | Acce Field  | Value ID | Value | Description   |  |  |  |  |  |  |  |  |  |  |  |                 |  |  |  |  |  |  |  |  |  |  |  |  |  |  |  |
| A                       | RW READOC   |          |       | Configure number of data lines and opcode used for reading. |  |  |  |  |  |  |  |  |  |  |  |                 |  |  |  |  |  |  |  |  |  |  |  |  |  |  |  |
|                         |   | FASTREAD | 0     | Single data line SPI. FAST_READ (opcode 0x0B).              |  |  |  |  |  |  |  |  |  |  |  |                 |  |  |  |  |  |  |  |  |  |  |  |  |  |  |  |
|                         |   | READ2O   | 1     | Dual data line SPI. READ2O (opcode 0x3B).                   |  |  |  |  |  |  |  |  |  |  |  |                 |  |  |  |  |  |  |  |  |  |  |  |  |  |  |  |
|                         |   | READ2IO  | 2     | Dual data line SPI. READ2IO (opcode 0xBB).                  |  |  |  |  |  |  |  |  |  |  |  |                 |  |  |  |  |  |  |  |  |  |  |  |  |  |  |  |
|                         |   | READ4O   | 3     | Quad data line SPI. READ4O (opcode 0x6B).                   |  |  |  |  |  |  |  |  |  |  |  |                 |  |  |  |  |  |  |  |  |  |  |  |  |  |  |  |
|                         |   | READ4IO  | 4     | Quad data line SPI. READ4IO (opcode 0xEB).                  |  |  |  |  |  |  |  |  |  |  |  |                 |  |  |  |  |  |  |  |  |  |  |  |  |  |  |  |
| B                       | RW WRITEOC  |          |       | Configure number of data lines and opcode used for writing. |  |  |  |  |  |  |  |  |  |  |  |                 |  |  |  |  |  |  |  |  |  |  |  |  |  |  |  |
|                         |   | PP       | 0     | Single data line SPI. PP (opcode 0x02).                     |  |  |  |  |  |  |  |  |  |  |  |                 |  |  |  |  |  |  |  |  |  |  |  |  |  |  |  |
|                         |   | PP2O     | 1     | Dual data line SPI. PP2O (opcode 0xA2).                     |  |  |  |  |  |  |  |  |  |  |  |                 |  |  |  |  |  |  |  |  |  |  |  |  |  |  |  |
|                         |   | PP4O     | 2     | Quad data line SPI. PP4O (opcode 0x32).                     |  |  |  |  |  |  |  |  |  |  |  |                 |  |  |  |  |  |  |  |  |  |  |  |  |  |  |  |
|                         |   | PP4IO    | 3     | Quad data line SPI. PP4IO (opcode 0x38).                    |  |  |  |  |  |  |  |  |  |  |  |                 |  |  |  |  |  |  |  |  |  |  |  |  |  |  |  |
| C                       | RW ADDRMODE   |          |       | Addressing mode.  |  |  |  |  |  |  |  |  |  |  |  |                 |  |  |  |  |  |  |  |  |  |  |  |  |  |  |  |
|                         |   | 24BIT    | 0     | 24-bit addressing.  |  |  |  |  |  |  |  |  |  |  |  |                 |  |  |  |  |  |  |  |  |  |  |  |  |  |  |  |
|                         |   | 32BIT    | 1     | 32-bit addressing.  |  |  |  |  |  |  |  |  |  |  |  |                 |  |  |  |  |  |  |  |  |  |  |  |  |  |  |  |
| D                       | RW DPMENABLE  |          |       | Enable deep power-down mode (DPM) feature.                  |  |  |  |  |  |  |  |  |  |  |  |                 |  |  |  |  |  |  |  |  |  |  |  |  |  |  |  |
|                         |   | Disable  | 0     | Disable DPM feature.  |  |  |  |  |  |  |  |  |  |  |  |                 |  |  |  |  |  |  |  |  |  |  |  |  |  |  |  |
|                         |   | Enable   | 1     | Enable DPM feature.   |  |  |  |  |  |  |  |  |  |  |  |                 |  |  |  |  |  |  |  |  |  |  |  |  |  |  |  |
| G                       | RW PPSIZE   |          |       | Page size for commands PP, PP2O, PP4O and PP4IO.            |  |  |  |  |  |  |  |  |  |  |  |                 |  |  |  |  |  |  |  |  |  |  |  |  |  |  |  |
|                         |   | 256Bytes | 0     | 256 bytes.  |  |  |  |  |  |  |  |  |  |  |  |                 |  |  |  |  |  |  |  |  |  |  |  |  |  |  |  |
|                         |   | 512Bytes | 1     | 512 bytes.  |  |  |  |  |  |  |  |  |  |  |  |                 |  |  |  |  |  |  |  |  |  |  |  |  |  |  |  |

### 6.19.10.27 IFCONFIG1

Address offset: 0x600

Interface configuration.

| Bit number              | 31 30 29 28 27 26 25 24 23 22 21 20 19 18 17 16 15 14 13 12 11 10 9 8 7 6 5 4 3 2 1 0 |          |          |   |  |  |  |  |  |  |     |  |  |  |  |  |  |  |  |  |                 |  |  |  |  |  |  |  |  |  |  |
|-------------------------|---|----------|----------|---|--|--|--|--|--|--|-----|--|--|--|--|--|--|--|--|--|-----------------|--|--|--|--|--|--|--|--|--|--|
| ID                      | G G G G   |          |          |   |  |  |  |  |  |  | E D |  |  |  |  |  |  |  |  |  | A A A A A A A A |  |  |  |  |  |  |  |  |  |  |
| <b>Reset 0x00040480</b> | <b>0 0 0 0 0 0 0 0 0 0 0 0 0 0 0 0 1 0 0 0 0 0 0 0 1 0 0 1 0 0 0 0 0 0</b>            |          |          |   |  |  |  |  |  |  |     |  |  |  |  |  |  |  |  |  |                 |  |  |  |  |  |  |  |  |  |  |
| ID                      | Acce Field  | Value ID | Value    | Description   |  |  |  |  |  |  |     |  |  |  |  |  |  |  |  |  |                 |  |  |  |  |  |  |  |  |  |  |
| A                       | RW SCKDELAY   |          | [0..255] | Minimum amount of time that the CSN pin must stay high before it can go low again. Value is specified in number of 16 MHz periods (62.5 ns).            |  |  |  |  |  |  |     |  |  |  |  |  |  |  |  |  |                 |  |  |  |  |  |  |  |  |  |  |
| D                       | RW DPMEN  |          |          | Enter/exit deep power-down mode (DPM) for external flash memory.  |  |  |  |  |  |  |     |  |  |  |  |  |  |  |  |  |                 |  |  |  |  |  |  |  |  |  |  |
|                         |   | Exit     | 0        | Exit DPM.   |  |  |  |  |  |  |     |  |  |  |  |  |  |  |  |  |                 |  |  |  |  |  |  |  |  |  |  |
|                         |   | Enter    | 1        | Enter DPM.  |  |  |  |  |  |  |     |  |  |  |  |  |  |  |  |  |                 |  |  |  |  |  |  |  |  |  |  |
| E                       | RW SPIMODE  | MODE0    | 0        | Select SPI mode.<br>Mode 0: Data are captured on the clock rising edge and data is output on a falling edge. Base level of clock is 0 (CPOL=0, CPHA=0). |  |  |  |  |  |  |     |  |  |  |  |  |  |  |  |  |                 |  |  |  |  |  |  |  |  |  |  |

| Bit number              | 31 30 29 28 27 26 25 24 23 22 21 20 19 18 17 16 15 14 13 12 11 10 9 8 7 6 5 4 3 2 1 0 |          |         |   |  |  |  |  |  |  |  |  |  |  |  |  |                 |  |  |  |  |  |  |  |  |  |  |  |  |  |  |  |
|-------------------------|---|----------|---------|---|--|--|--|--|--|--|--|--|--|--|--|--|-----------------|--|--|--|--|--|--|--|--|--|--|--|--|--|--|--|
| ID                      | G G G G E D   |          |         |   |  |  |  |  |  |  |  |  |  |  |  |  | A A A A A A A A |  |  |  |  |  |  |  |  |  |  |  |  |  |  |  |
| <b>Reset 0x00040480</b> | 0 0 0 0 0 0 0 0 0 0 0 0 0 0 1 0 0 0 0 0 0 0 1 0 0 1 0 0 0 0 0 0                       |          |         |   |  |  |  |  |  |  |  |  |  |  |  |  |                 |  |  |  |  |  |  |  |  |  |  |  |  |  |  |  |
| ID                      | Acce Field  | Value ID | Value   | Description   |  |  |  |  |  |  |  |  |  |  |  |  |                 |  |  |  |  |  |  |  |  |  |  |  |  |  |  |  |
|                         |   | MODE3    | 1       | Mode 3: Data are captured on the clock falling edge and data is output on a rising edge. Base level of clock is 1 (CPOL=1, CPHA=1). |  |  |  |  |  |  |  |  |  |  |  |  |                 |  |  |  |  |  |  |  |  |  |  |  |  |  |  |  |
| G                       | RW  | SCKFREQ  | [0..15] | SCK frequency is given as 32 MHz / (SCKFREQ + 1).   |  |  |  |  |  |  |  |  |  |  |  |  |                 |  |  |  |  |  |  |  |  |  |  |  |  |  |  |  |

### 6.19.10.28 STATUS

Address offset: 0x604

Status register.

| Bit number              | 31 30 29 28 27 26 25 24 23 22 21 20 19 18 17 16 15 14 13 12 11 10 9 8 7 6 5 4 3 2 1 0 |          |       |  |  |  |  |  |  |  |  |  |  |  |  |  |     |  |  |  |  |  |  |  |  |  |  |  |  |  |  |  |
|-------------------------|---|----------|-------|--|--|--|--|--|--|--|--|--|--|--|--|--|-----|--|--|--|--|--|--|--|--|--|--|--|--|--|--|--|
| ID                      | F F F F F F F F   |          |       |  |  |  |  |  |  |  |  |  |  |  |  |  | D C |  |  |  |  |  |  |  |  |  |  |  |  |  |  |  |
| <b>Reset 0x00000000</b> | 0                       |          |       |  |  |  |  |  |  |  |  |  |  |  |  |  |     |  |  |  |  |  |  |  |  |  |  |  |  |  |  |  |
| ID                      | Acce Field  | Value ID | Value | Description  |  |  |  |  |  |  |  |  |  |  |  |  |     |  |  |  |  |  |  |  |  |  |  |  |  |  |  |  |
| C                       | R   | DPM      |       | Deep power-down mode (DPM) status of external flash.   |  |  |  |  |  |  |  |  |  |  |  |  |     |  |  |  |  |  |  |  |  |  |  |  |  |  |  |  |
|                         |   | Disabled | 0     | External flash is not in DPM.  |  |  |  |  |  |  |  |  |  |  |  |  |     |  |  |  |  |  |  |  |  |  |  |  |  |  |  |  |
|                         |   | Enabled  | 1     | External flash is in DPM.  |  |  |  |  |  |  |  |  |  |  |  |  |     |  |  |  |  |  |  |  |  |  |  |  |  |  |  |  |
| D                       | R   | READY    |       | Ready status.  |  |  |  |  |  |  |  |  |  |  |  |  |     |  |  |  |  |  |  |  |  |  |  |  |  |  |  |  |
|                         |   | READY    | 1     | QSPI peripheral is ready. It is allowed to trigger new tasks, writing custom instructions or enter/exit DPM.   |  |  |  |  |  |  |  |  |  |  |  |  |     |  |  |  |  |  |  |  |  |  |  |  |  |  |  |  |
|                         |   | BUSY     | 0     | QSPI peripheral is busy. It is not allowed to trigger any new tasks, writing custom instructions or enter/exit DPM.                                  |  |  |  |  |  |  |  |  |  |  |  |  |     |  |  |  |  |  |  |  |  |  |  |  |  |  |  |  |
| F                       | R   | SREG     |       | Value of external flash device Status Register. When the external flash has two bytes status register this field includes the value of the low byte. |  |  |  |  |  |  |  |  |  |  |  |  |     |  |  |  |  |  |  |  |  |  |  |  |  |  |  |  |

### 6.19.10.29 DPMDUR

Address offset: 0x614

Set the duration required to enter/exit deep power-down mode (DPM).

| Bit number              | 31 30 29 28 27 26 25 24 23 22 21 20 19 18 17 16 15 14 13 12 11 10 9 8 7 6 5 4 3 2 1 0 |          |             |   |  |  |  |  |  |  |  |  |  |  |  |  |                                 |  |  |  |  |  |  |  |  |  |  |  |  |  |  |  |
|-------------------------|---|----------|-------------|---|--|--|--|--|--|--|--|--|--|--|--|--|---------------------------------|--|--|--|--|--|--|--|--|--|--|--|--|--|--|--|
| ID                      | B B B B B B B B B B B B B B B B   |          |             |   |  |  |  |  |  |  |  |  |  |  |  |  | A A A A A A A A A A A A A A A A |  |  |  |  |  |  |  |  |  |  |  |  |  |  |  |
| <b>Reset 0xFFFFFFFF</b> | 1                       |          |             |   |  |  |  |  |  |  |  |  |  |  |  |  |                                 |  |  |  |  |  |  |  |  |  |  |  |  |  |  |  |
| ID                      | Acce Field  | Value ID | Value       | Description   |  |  |  |  |  |  |  |  |  |  |  |  |                                 |  |  |  |  |  |  |  |  |  |  |  |  |  |  |  |
| A                       | RW  | ENTER    | [0..0xFFFF] | Duration needed by external flash to enter DPM. Duration is given as ENTER * 256 * 62.5 ns. |  |  |  |  |  |  |  |  |  |  |  |  |                                 |  |  |  |  |  |  |  |  |  |  |  |  |  |  |  |
| B                       | RW  | EXIT     | [0..0xFFFF] | Duration needed by external flash to exit DPM. Duration is given as EXIT * 256 * 62.5 ns.   |  |  |  |  |  |  |  |  |  |  |  |  |                                 |  |  |  |  |  |  |  |  |  |  |  |  |  |  |  |

### 6.19.10.30 ADDRCONF

Address offset: 0x624

Extended address configuration.

| Bit number       | 31 30 29 28 27 26 25 24 23 22 21 20 19 18 17 16 15 14 13 12 11 10 9 8 7 6 5 4 3 2 1 0 |          |           |  |  |  |  |  |  |  |  |  |  |  |  |  |  |  |  |  |  |  |  |  |  |  |  |  |  |  |  |  |
|------------------|---|----------|-----------|--|--|--|--|--|--|--|--|--|--|--|--|--|--|--|--|--|--|--|--|--|--|--|--|--|--|--|--|--|
| ID               | F E D D C C C C C C C C B B B B B B A A A A A A A A                                   |          |           |  |  |  |  |  |  |  |  |  |  |  |  |  |  |  |  |  |  |  |  |  |  |  |  |  |  |  |  |  |
| Reset 0x000000B7 | 0 1 0 1 1 0 1 1 1               |          |           |  |  |  |  |  |  |  |  |  |  |  |  |  |  |  |  |  |  |  |  |  |  |  |  |  |  |  |  |  |
| ID               | Acce Field  | Value ID | Value     | Description  |  |  |  |  |  |  |  |  |  |  |  |  |  |  |  |  |  |  |  |  |  |  |  |  |  |  |  |  |
| A                | RW OPCODE   |          | [0xFF..0] | Opcode that enters the 32-bit addressing mode.           |  |  |  |  |  |  |  |  |  |  |  |  |  |  |  |  |  |  |  |  |  |  |  |  |  |  |  |  |
| B                | RW BYTE0  |          | [0xFF..0] | Byte 0 following opcode.                                 |  |  |  |  |  |  |  |  |  |  |  |  |  |  |  |  |  |  |  |  |  |  |  |  |  |  |  |  |
| C                | RW BYTE1  |          | [0xFF..0] | Byte 1 following byte 0.                                 |  |  |  |  |  |  |  |  |  |  |  |  |  |  |  |  |  |  |  |  |  |  |  |  |  |  |  |  |
| D                | RW MODE   |          |           | Extended addressing mode.                                |  |  |  |  |  |  |  |  |  |  |  |  |  |  |  |  |  |  |  |  |  |  |  |  |  |  |  |  |
|                  |   | NoInstr  | 0         | Do not send any instruction.                             |  |  |  |  |  |  |  |  |  |  |  |  |  |  |  |  |  |  |  |  |  |  |  |  |  |  |  |  |
|                  |   | Opcode   | 1         | Send opcode.   |  |  |  |  |  |  |  |  |  |  |  |  |  |  |  |  |  |  |  |  |  |  |  |  |  |  |  |  |
|                  |   | OpByte0  | 2         | Send opcode, byte0.                                      |  |  |  |  |  |  |  |  |  |  |  |  |  |  |  |  |  |  |  |  |  |  |  |  |  |  |  |  |
|                  |   | All      | 3         | Send opcode, byte0, byte1.                               |  |  |  |  |  |  |  |  |  |  |  |  |  |  |  |  |  |  |  |  |  |  |  |  |  |  |  |  |
| E                | RW WIPWAIT  |          |           | Wait for write complete before sending command.          |  |  |  |  |  |  |  |  |  |  |  |  |  |  |  |  |  |  |  |  |  |  |  |  |  |  |  |  |
|                  |   | Disable  | 0         | No wait.   |  |  |  |  |  |  |  |  |  |  |  |  |  |  |  |  |  |  |  |  |  |  |  |  |  |  |  |  |
|                  |   | Enable   | 1         | Wait.  |  |  |  |  |  |  |  |  |  |  |  |  |  |  |  |  |  |  |  |  |  |  |  |  |  |  |  |  |
| F                | RW WREN   |          |           | Send WREN (write enable opcode 0x06) before instruction. |  |  |  |  |  |  |  |  |  |  |  |  |  |  |  |  |  |  |  |  |  |  |  |  |  |  |  |  |
|                  |   | Disable  | 0         | Do not send WREN.  |  |  |  |  |  |  |  |  |  |  |  |  |  |  |  |  |  |  |  |  |  |  |  |  |  |  |  |  |
|                  |   | Enable   | 1         | Send WREN.   |  |  |  |  |  |  |  |  |  |  |  |  |  |  |  |  |  |  |  |  |  |  |  |  |  |  |  |  |

### 6.19.10.31 CINSTRCONF

Address offset: 0x634

Custom instruction configuration register.

A new custom instruction is sent every time this register is written. The READY event will be generated when the custom instruction has been sent.

| Bit number       | 31 30 29 28 27 26 25 24 23 22 21 20 19 18 17 16 15 14 13 12 11 10 9 8 7 6 5 4 3 2 1 0 |  |          |  |  |  |  |  |  |  |  |  |  |  |  |  |  |  |  |  |  |  |  |  |  |  |  |  |  |  |  |  |
|------------------|---|--|----------|--|--|--|--|--|--|--|--|--|--|--|--|--|--|--|--|--|--|--|--|--|--|--|--|--|--|--|--|--|
| ID               | H G F E D C B B B B A A A A A A A A   |  |          |  |  |  |  |  |  |  |  |  |  |  |  |  |  |  |  |  |  |  |  |  |  |  |  |  |  |  |  |  |
| Reset 0x00002000 | 0 0 0 0 0 0 0 0 0 0 0 0 0 0 0 0 0 0 0 1 0 0 0 0 0 0 0 0 0 0 0 0                       |  |          |  |  |  |  |  |  |  |  |  |  |  |  |  |  |  |  |  |  |  |  |  |  |  |  |  |  |  |  |  |
| ID               | Acce Field  | Value ID   | Value    | Description  |  |  |  |  |  |  |  |  |  |  |  |  |  |  |  |  |  |  |  |  |  |  |  |  |  |  |  |  |
| A                | RW OPCODE   |  | [0..255] | Opcode of Custom instruction.  |  |  |  |  |  |  |  |  |  |  |  |  |  |  |  |  |  |  |  |  |  |  |  |  |  |  |  |  |
| B                | RW LENGTH   |  |          | Length of custom instruction in number of bytes.                               |  |  |  |  |  |  |  |  |  |  |  |  |  |  |  |  |  |  |  |  |  |  |  |  |  |  |  |  |
|                  |   | 1B   | 1        | Send opcode only.  |  |  |  |  |  |  |  |  |  |  |  |  |  |  |  |  |  |  |  |  |  |  |  |  |  |  |  |  |
|                  |   | 2B   | 2        | Send opcode, CINSTRDAT0.BYTE0.   |  |  |  |  |  |  |  |  |  |  |  |  |  |  |  |  |  |  |  |  |  |  |  |  |  |  |  |  |
|                  |   | 3B   | 3        | Send opcode, CINSTRDAT0.BYTE0 -> CINSTRDAT0.BYTE1.                             |  |  |  |  |  |  |  |  |  |  |  |  |  |  |  |  |  |  |  |  |  |  |  |  |  |  |  |  |
|                  |   | 4B   | 4        | Send opcode, CINSTRDAT0.BYTE0 -> CINSTRDAT0.BYTE2.                             |  |  |  |  |  |  |  |  |  |  |  |  |  |  |  |  |  |  |  |  |  |  |  |  |  |  |  |  |
|                  |   | 5B   | 5        | Send opcode, CINSTRDAT0.BYTE0 -> CINSTRDAT0.BYTE3.                             |  |  |  |  |  |  |  |  |  |  |  |  |  |  |  |  |  |  |  |  |  |  |  |  |  |  |  |  |
|                  |   | 6B   | 6        | Send opcode, CINSTRDAT0.BYTE0 -> CINSTRDAT1.BYTE4.                             |  |  |  |  |  |  |  |  |  |  |  |  |  |  |  |  |  |  |  |  |  |  |  |  |  |  |  |  |
|                  |   | 7B   | 7        | Send opcode, CINSTRDAT0.BYTE0 -> CINSTRDAT1.BYTE5.                             |  |  |  |  |  |  |  |  |  |  |  |  |  |  |  |  |  |  |  |  |  |  |  |  |  |  |  |  |
|                  |   | 8B   | 8        | Send opcode, CINSTRDAT0.BYTE0 -> CINSTRDAT1.BYTE6.                             |  |  |  |  |  |  |  |  |  |  |  |  |  |  |  |  |  |  |  |  |  |  |  |  |  |  |  |  |
| 9B               | 9   | Send opcode, CINSTRDAT0.BYTE0 -> CINSTRDAT1.BYTE7. |          |  |  |  |  |  |  |  |  |  |  |  |  |  |  |  |  |  |  |  |  |  |  |  |  |  |  |  |  |  |
| C                | RW LIO2   |  | [0..1]   | Level of the IO2 pin (if connected) during transmission of custom instruction. |  |  |  |  |  |  |  |  |  |  |  |  |  |  |  |  |  |  |  |  |  |  |  |  |  |  |  |  |
| D                | RW LIO3   |  | [0..1]   | Level of the IO3 pin (if connected) during transmission of custom instruction. |  |  |  |  |  |  |  |  |  |  |  |  |  |  |  |  |  |  |  |  |  |  |  |  |  |  |  |  |
| E                | RW WIPWAIT  |  |          | Wait for write complete before sending command.                                |  |  |  |  |  |  |  |  |  |  |  |  |  |  |  |  |  |  |  |  |  |  |  |  |  |  |  |  |
|                  |   | Disable  | 0        | No wait.   |  |  |  |  |  |  |  |  |  |  |  |  |  |  |  |  |  |  |  |  |  |  |  |  |  |  |  |  |
|                  |   | Enable   | 1        | Wait.  |  |  |  |  |  |  |  |  |  |  |  |  |  |  |  |  |  |  |  |  |  |  |  |  |  |  |  |  |
| F                | RW WREN   |  |          | Send WREN (write enable opcode 0x06) before instruction.                       |  |  |  |  |  |  |  |  |  |  |  |  |  |  |  |  |  |  |  |  |  |  |  |  |  |  |  |  |
|                  |   | Disable  | 0        | Do not send WREN.  |  |  |  |  |  |  |  |  |  |  |  |  |  |  |  |  |  |  |  |  |  |  |  |  |  |  |  |  |
|                  |   | Enable   | 1        | Send WREN.   |  |  |  |  |  |  |  |  |  |  |  |  |  |  |  |  |  |  |  |  |  |  |  |  |  |  |  |  |



| Bit number              | 31 30 29 28 27 26 25 24 23 22 21 20 19 18 17 16 15 14 13 12 11 10 9 8 7 6 5 4 3 2 1 0 |          |       |   |  |  |  |  |  |  |  |  |  |  |  |  |  |  |  |  |  |  |  |  |  |  |  |  |  |  |  |
|-------------------------|---|----------|-------|---|--|--|--|--|--|--|--|--|--|--|--|--|--|--|--|--|--|--|--|--|--|--|--|--|--|--|--|
| ID                      | H G F E D C B B B B A A A A A A A A   |          |       |   |  |  |  |  |  |  |  |  |  |  |  |  |  |  |  |  |  |  |  |  |  |  |  |  |  |  |  |
| <b>Reset 0x00002000</b> | <b>0 0</b>        |          |       |   |  |  |  |  |  |  |  |  |  |  |  |  |  |  |  |  |  |  |  |  |  |  |  |  |  |  |  |
| ID                      | Acce Field  | Value ID | Value | Description   |  |  |  |  |  |  |  |  |  |  |  |  |  |  |  |  |  |  |  |  |  |  |  |  |  |  |  |
| G                       | RW LFEN   |          |       | Enable long frame mode. When enabled, a custom instruction transaction has to be ended by writing the LFSTOP field. |  |  |  |  |  |  |  |  |  |  |  |  |  |  |  |  |  |  |  |  |  |  |  |  |  |  |  |
|                         |   | Disable  | 0     | Long frame mode disabled  |  |  |  |  |  |  |  |  |  |  |  |  |  |  |  |  |  |  |  |  |  |  |  |  |  |  |  |
|                         |   | Enable   | 1     | Long frame mode enabled   |  |  |  |  |  |  |  |  |  |  |  |  |  |  |  |  |  |  |  |  |  |  |  |  |  |  |  |
| H                       | RW LFSTOP   |          |       | Stop (finalize) long frame transaction  |  |  |  |  |  |  |  |  |  |  |  |  |  |  |  |  |  |  |  |  |  |  |  |  |  |  |  |
|                         |   | Stop     | 1     | Stop  |  |  |  |  |  |  |  |  |  |  |  |  |  |  |  |  |  |  |  |  |  |  |  |  |  |  |  |

### 6.19.10.32 CINSTRDAT0

Address offset: 0x638

Custom instruction data register 0.

| Bit number              | 31 30 29 28 27 26 25 24 23 22 21 20 19 18 17 16 15 14 13 12 11 10 9 8 7 6 5 4 3 2 1 0 |          |           |             |  |  |  |  |  |  |  |  |  |  |  |  |  |  |  |  |  |  |  |  |  |  |  |  |  |  |  |
|-------------------------|---|----------|-----------|-------------|--|--|--|--|--|--|--|--|--|--|--|--|--|--|--|--|--|--|--|--|--|--|--|--|--|--|--|
| ID                      | D D D D D D D D C C C C C C C C B B B B B B B B A A A A A A A A A A                   |          |           |             |  |  |  |  |  |  |  |  |  |  |  |  |  |  |  |  |  |  |  |  |  |  |  |  |  |  |  |
| <b>Reset 0x00000000</b> | <b>0 0</b>        |          |           |             |  |  |  |  |  |  |  |  |  |  |  |  |  |  |  |  |  |  |  |  |  |  |  |  |  |  |  |
| ID                      | Acce Field  | Value ID | Value     | Description |  |  |  |  |  |  |  |  |  |  |  |  |  |  |  |  |  |  |  |  |  |  |  |  |  |  |  |
| A                       | RW BYTE0  |          | [0..0xFF] | Data byte 0 |  |  |  |  |  |  |  |  |  |  |  |  |  |  |  |  |  |  |  |  |  |  |  |  |  |  |  |
| B                       | RW BYTE1  |          | [0..0xFF] | Data byte 1 |  |  |  |  |  |  |  |  |  |  |  |  |  |  |  |  |  |  |  |  |  |  |  |  |  |  |  |
| C                       | RW BYTE2  |          | [0..0xFF] | Data byte 2 |  |  |  |  |  |  |  |  |  |  |  |  |  |  |  |  |  |  |  |  |  |  |  |  |  |  |  |
| D                       | RW BYTE3  |          | [0..0xFF] | Data byte 3 |  |  |  |  |  |  |  |  |  |  |  |  |  |  |  |  |  |  |  |  |  |  |  |  |  |  |  |

### 6.19.10.33 CINSTRDAT1

Address offset: 0x63C

Custom instruction data register 1.

| Bit number              | 31 30 29 28 27 26 25 24 23 22 21 20 19 18 17 16 15 14 13 12 11 10 9 8 7 6 5 4 3 2 1 0 |          |           |             |  |  |  |  |  |  |  |  |  |  |  |  |  |  |  |  |  |  |  |  |  |  |  |  |  |  |  |
|-------------------------|---|----------|-----------|-------------|--|--|--|--|--|--|--|--|--|--|--|--|--|--|--|--|--|--|--|--|--|--|--|--|--|--|--|
| ID                      | D D D D D D D D C C C C C C C C B B B B B B B B A A A A A A A A A A                   |          |           |             |  |  |  |  |  |  |  |  |  |  |  |  |  |  |  |  |  |  |  |  |  |  |  |  |  |  |  |
| <b>Reset 0x00000000</b> | <b>0 0</b>        |          |           |             |  |  |  |  |  |  |  |  |  |  |  |  |  |  |  |  |  |  |  |  |  |  |  |  |  |  |  |
| ID                      | Acce Field  | Value ID | Value     | Description |  |  |  |  |  |  |  |  |  |  |  |  |  |  |  |  |  |  |  |  |  |  |  |  |  |  |  |
| A                       | RW BYTE4  |          | [0..0xFF] | Data byte 4 |  |  |  |  |  |  |  |  |  |  |  |  |  |  |  |  |  |  |  |  |  |  |  |  |  |  |  |
| B                       | RW BYTE5  |          | [0..0xFF] | Data byte 5 |  |  |  |  |  |  |  |  |  |  |  |  |  |  |  |  |  |  |  |  |  |  |  |  |  |  |  |
| C                       | RW BYTE6  |          | [0..0xFF] | Data byte 6 |  |  |  |  |  |  |  |  |  |  |  |  |  |  |  |  |  |  |  |  |  |  |  |  |  |  |  |
| D                       | RW BYTE7  |          | [0..0xFF] | Data byte 7 |  |  |  |  |  |  |  |  |  |  |  |  |  |  |  |  |  |  |  |  |  |  |  |  |  |  |  |

### 6.19.10.34 IFTIMING

Address offset: 0x640

SPI interface timing.

|                  |    |    |    |    |    |    |    |    |    |    |    |    |    |    |    |    |    |    |    |    |    |    |   |   |   |   |   |   |   |   |   |   |   |   |   |   |   |   |   |   |   |   |   |   |   |   |   |   |   |   |   |   |   |   |
|------------------|----|----|----|----|----|----|----|----|----|----|----|----|----|----|----|----|----|----|----|----|----|----|---|---|---|---|---|---|---|---|---|---|---|---|---|---|---|---|---|---|---|---|---|---|---|---|---|---|---|---|---|---|---|---|
| Bit number       | 31 | 30 | 29 | 28 | 27 | 26 | 25 | 24 | 23 | 22 | 21 | 20 | 19 | 18 | 17 | 16 | 15 | 14 | 13 | 12 | 11 | 10 | 9 | 8 | 7 | 6 | 5 | 4 | 3 | 2 | 1 | 0 |   |   |   |   |   |   |   |   |   |   |   |   |   |   |   |   |   |   |   |   |   |   |
| ID               |    |    |    |    |    |    |    |    |    |    |    |    |    |    |    |    |    |    |    |    |    |    |   | C | C | C |   |   |   |   |   |   |   |   |   |   |   |   |   |   |   |   |   |   |   |   |   |   |   |   |   |   |   |   |
| Reset 0x00000200 |    |    |    |    |    |    |    |    |    |    |    |    |    |    |    |    |    |    |    |    |    |    |   | 0 | 0 | 0 | 0 | 0 | 0 | 0 | 0 | 0 | 0 | 0 | 0 | 0 | 0 | 0 | 0 | 0 | 0 | 0 | 0 | 0 | 0 | 1 | 0 | 0 | 0 | 0 | 0 | 0 | 0 | 0 |

| ID | Acce Field | Value ID | Value  | Description  |
|----|------------|----------|--------|--|
| C  | RW         | RXDELAY  | [7..0] | Timing related to sampling of the input serial data. The value of RXDELAY specifies the number of 64 MHz cycles (15.625 ns) delay from the the rising edge of the SPI Clock (SCK) until the input serial data is sampled. As an example, if set to 0 the input serial data is sampled on the rising edge of SCK. |

## 6.19.11 Electrical specification

### 6.19.11.1 Timing specification

| Symbol                   | Description                                 | Min. | Typ. | Max. | Units |
|--------------------------|---|------|------|------|-------|
| F <sub>QSPI,CLK</sub>    | SCK frequency                               |      |      | 32   | MHz   |
| DC <sub>QSPI,CLK</sub>   | SCK duty cycle                              |      |      |      | %     |
| F <sub>QSPI,XIP,16</sub> | XIP fetch frequency for 16 bit instructions |      |      | 8    | MHz   |
| F <sub>QSPI,XIP,32</sub> | XIP fetch frequency for 32 bit instructions |      |      | 4    | MHz   |

## 6.20 RADIO — 2.4 GHz radio

The 2.4 GHz radio transceiver is compatible with multiple radio standards such as 1 Mbps, 2 Mbps and long range *Bluetooth*<sup>®</sup> low energy. IEEE 802.15.4 250 kbps mode is fully supported as well as Nordic's proprietary 1 Mbps and 2 Mbps modes of operation.

Listed here are main features for the RADIO:

- Multidomain 2.4 GHz radio transceiver:
  - 1 Mbps, 2 Mbps and long range (125 kbps and 500 kbps mode) *Bluetooth*<sup>®</sup> low energy modes
  - 250 kbps IEEE 802.15.4 mode
  - 1 Mbps and 2 Mbps Nordic proprietary modes
- Best in class link budget and low power operation
- Efficient data interface with EasyDMA support
- Automatic address filtering and pattern matching

EasyDMA in combination with an automated packet assembler and packet disassembler, and an automated CRC generator and CRC checker, make it very easy to configure and use the RADIO. See [RADIO block diagram](#) on page 311 for details.

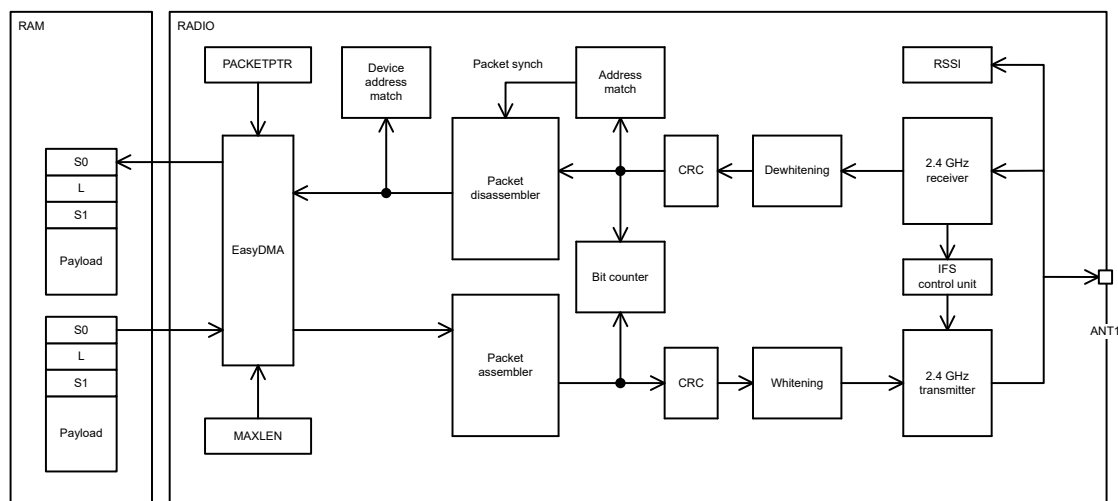


Figure 107: RADIO block diagram

The RADIO includes a device address match unit and an interframe spacing control unit that can be utilized to simplify address whitelisting and interframe spacing respectively in *Bluetooth*<sup>®</sup> low energy and similar applications.

The RADIO also includes a received signal strength indicator (RSSI) and a bit counter. The bit counter generates events when a preconfigured number of bits have been sent or received by the RADIO.

### 6.20.1 Packet configuration

A radio packet contains the following fields: PREAMBLE, ADDRESS, S0, LENGTH, S1, PAYLOAD and CRC.

The content of a RADIO packet is illustrated in [On air packet layout](#) on page 311. The RADIO sends the different fields in the packet in the order they are illustrated below, from left to right:

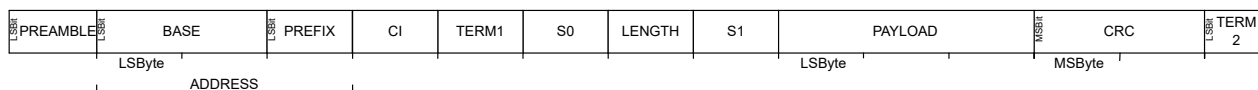


Figure 108: On air packet layout

Not shown in the figure is the static payload add-on (the length of which is defined in STATLEN, and which is 0 bytes long in a standard BLE packet). The static payload add-on is sent between PAYLOAD and CRC fields. The radio sends the different fields in the packet in the order they are illustrated above, from left to right. The preamble will be sent with least significant bit first on air.

Not shown in the figure above is the static payload add-on (the length of which is defined in PCNF1.STATLEN, and which is 0 bytes long in a standard BLE packet). The static payload add-on is sent between the PAYLOAD and CRC fields.

PREAMBLE is sent with least significant bit first on-air. The size of the PREAMBLE depends on the mode selected in the MODE register:

- The PREAMBLE is one byte for MODE = Ble\_1Mbit as well as all Nordic proprietary operating modes (MODE = Nrf\_1Mbit and MODE = Nrf\_2Mbit), and the PLEN field in the PCNF0 register has to be set accordingly. If the first bit of the ADDRESS is 0 the preamble will be set to 0xAA otherwise the PREAMBLE will be set to 0x55.
- For MODE = Ble\_2Mbit the PREAMBLE has to be set to 2 byte long through the PLEN field in the PCNF0 register. If the first bit of the ADDRESS is 0 the preamble will be set to 0xAAAA otherwise the PREAMBLE will be set to 0x5555.
- For MODE = Ble\_LR125Kbit and MODE = Ble\_LR500Kbit the PREAMBLE is 10 repetitions of 0x3C.

- For MODE = leee802154\_250kbit the PREAMBLE is 4 bytes long and set to all zeros.

Radio packets are stored in memory inside instances of a radio packet data structure as illustrated in [In-RAM representation of radio packet - S0, LENGTH and S1 are optional](#) on page 312. The PREAMBLE, ADDRESS, CI, TERM1, TERM2 and CRC fields are omitted in this data structure.

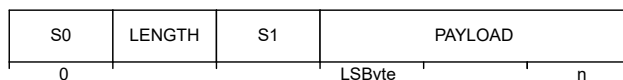


Figure 109: In-RAM representation of radio packet - S0, LENGTH and S1 are optional

The byte ordering on air is always least significant byte first for the ADDRESS and PAYLOAD fields and most significant byte first for the CRC field. The ADDRESS fields are always transmitted and received least significant bit first on air. The CRC field is always transmitted and received most significant bit first. The bit-endian, i.e. the order in which the bits are sent and received, of the S0, LENGTH, S1 and PAYLOAD fields can be configured via the ENDIAN in PCNF1.

The sizes of the S0, LENGTH and S1 fields can be individually configured via SOLEN, LFLEN and S1LEN in PCNF0 respectively. If any of these fields are configured to be less than 8 bits long, the least significant bits of the fields are used.

If S0, LENGTH or S1 are specified with zero length their fields will be omitted in memory, otherwise each field will be represented as a separate byte, regardless of the number of bits in their on air counterpart.

Independent of the configuration of MAXLEN, the combined length of S0, LENGTH, S1 and PAYLOAD cannot exceed 258 bytes.

## 6.20.2 Address configuration

The on air radio ADDRESS field is composed of two parts, the base address field and the address prefix field.

The size of the base address field is configurable via BALEN in PCNF1. The base address is truncated from the least significant byte if the BALEN is less than 4. See [Definition of logical addresses](#) on page 312.

| Logical address | Base address | Prefix byte |
|-----------------|--------------|-------------|
| 0               | BASE0        | PREFIX0.AP0 |
| 1               | BASE1        | PREFIX0.AP1 |
| 2               | BASE1        | PREFIX0.AP2 |
| 3               | BASE1        | PREFIX0.AP3 |
| 4               | BASE1        | PREFIX1.AP4 |
| 5               | BASE1        | PREFIX1.AP5 |
| 6               | BASE1        | PREFIX1.AP6 |
| 7               | BASE1        | PREFIX1.AP7 |

Table 86: Definition of logical addresses

The on air addresses are defined in the BASEn and PREFIXn registers, and it is only when writing these registers the user will have to relate to actual on air addresses. For other radio address registers such as the TXADDRESS, RXADDRESSES and RXMATCH registers, logical radio addresses ranging from 0 to 7 are being used. The relationship between the on air radio addresses and the logical addresses is described in [Definition of logical addresses](#) on page 312.

### 6.20.3 Data whitening

The RADIO is able to do packet whitening and de-whitening.

See WHITEEN in PCNF1 register for how to enable whitening. When enabled, whitening and de-whitening will be handled by the RADIO automatically as packets are sent and received.

The whitening word is generated using polynomial  $g(D) = D^7 + D^4 + 1$ , which then is XORed with the data packet that is to be whitened, or de-whitened. See the figure below.

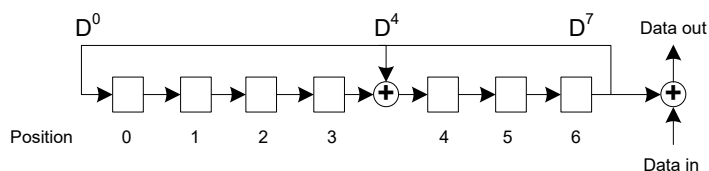


Figure 110: Data whitening and de-whitening

Whitening and de-whitening will be performed over the whole packet (except for the preamble and the address field).

The linear feedback shift register, illustrated in [Data whitening and de-whitening](#) on page 313 can be initialised via the DATAWHITEIV register.

### 6.20.4 CRC

The CRC generator in the RADIO calculates the CRC over the whole packet excluding the preamble. If desirable, the address field can be excluded from the CRC calculation as well

See CRCCNF register for more information.

The CRC polynomial is configurable as illustrated in [CRC generation of an n bit CRC](#) on page 313 where bit 0 in the CRCPOLY register corresponds to  $X^0$  and bit 1 corresponds to  $X^1$  etc. See CRCPOLY for more information.

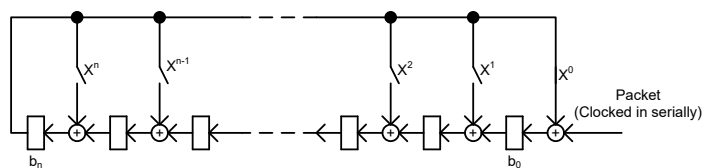


Figure 111: CRC generation of an n bit CRC

As illustrated in [CRC generation of an n bit CRC](#) on page 313, the CRC is calculated by feeding the packet serially through the CRC generator. Before the packet is clocked through the CRC generator, the CRC generator's latches  $b_0$  through  $b_n$  will be initialized with a predefined value specified in the CRCINIT register. When the whole packet is clocked through the CRC generator, latches  $b_0$  through  $b_n$  will hold the resulting CRC. This value will be used by the RADIO during both transmission and reception but it is not available to be read by the CPU at any time. A received CRC can however be read by the CPU via the RXCRC register independent of whether or not it has passed the CRC check.

The length ( $n$ ) of the CRC is configurable, see CRCCNF for more information.

After the whole packet including the CRC has been received, the RADIO will generate a CRCOK event if no CRC errors were detected, or alternatively generate a CRCERROR event if CRC errors were detected.

The status of the CRC check can be read from the CRCSTATUS register after a packet has been received.

### 6.20.5 Radio states

Tasks and events are used to control the operating state of the RADIO.

The RADIO can enter the states described the table below.

| State     | Description  |
|-----------|--|
| DISABLED  | No operations are going on inside the radio and the power consumption is at a minimum                |
| RXRU      | The radio is ramping up and preparing for reception  |
| RXIDLE    | The radio is ready for reception to start  |
| RX        | Reception has been started and the addresses enabled in the RXADDRESSES register are being monitored |
| TXRU      | The radio is ramping up and preparing for transmission   |
| TXIDLE    | The radio is ready for transmission to start   |
| TX        | The radio is transmitting a packet   |
| RXDISABLE | The radio is disabling the receiver  |
| TXDISABLE | The radio is disabling the transmitter   |

Table 87: RADIO state diagram

An overview state diagram for the RADIO is illustrated in [Radio states](#) on page 314.

**Note:** The END to START shortcut should not be used with Ble\_LR125Kbit, Ble\_LR500Kbit and leee802154\_250Kbit modes. Rather the PHYEND to START shortcut.

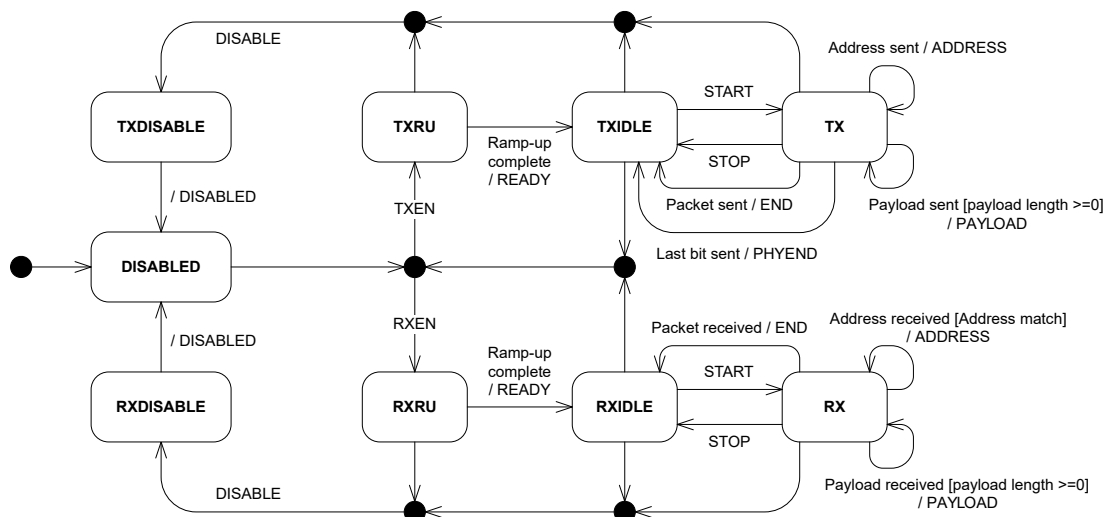


Figure 112: Radio states

This figure shows how the tasks and events relate to the RADIO's operation. The RADIO does not prevent a task from being triggered from the wrong state. If a task is triggered from the wrong state, for example if the RXEN task is triggered from the RXDISABLE state, this may lead to incorrect behaviour. As illustrated in [Radio states](#) on page 314, the PAYLOAD event is always generated even if the payload is zero.

### 6.20.6 Transmit sequence

Before the RADIO is able to transmit a packet, it must first ramp-up in TX mode.

See TXRU in [Radio states](#) on page 314 and [Transmit sequence](#) on page 315. A TXRU ramp-up sequence is initiated when the TXEN task is triggered. After the radio has successfully ramped up it will generate the READY event indicating that a packet transmission can be initiated. A packet transmission is initiated by triggering the START task. As illustrated in [Radio states](#) on page 314 the START task can first be triggered after the RADIO has entered into the TXIDLE state.

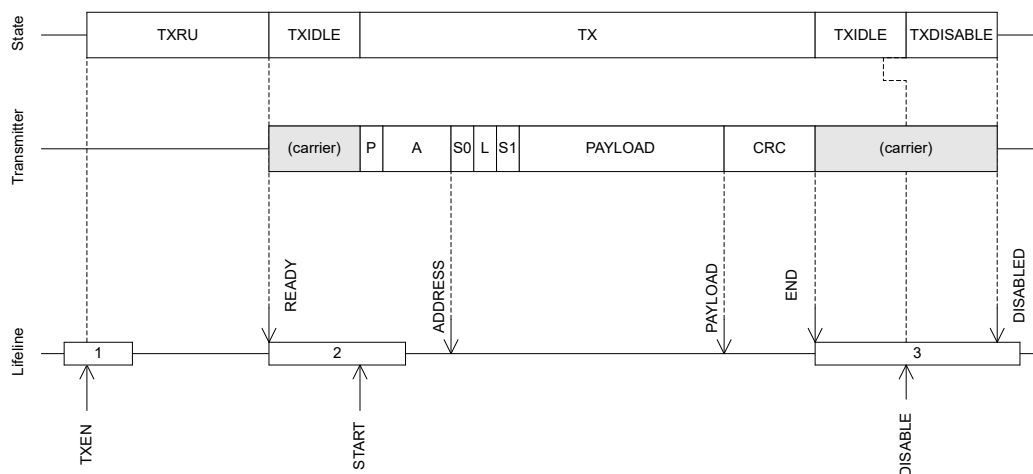


Figure 113: Transmit sequence

[Transmit sequence](#) on page 315 illustrates a single packet transmission where the CPU manually triggers the different tasks needed to control the flow of the RADIO, i.e. no shortcuts are used. If shortcuts are not used, a certain amount of delay caused by CPU execution is expected between READY and START, and between END and DISABLE. As illustrated in [Transmit sequence](#) on page 315 the RADIO will by default transmit '1's between READY and START, and between END and DISABLED. What is transmitted can be programmed through the DTX field in the MODECNF0 register.

A slightly modified version of the transmit sequence from [Transmit sequence](#) on page 315 is illustrated in [Transmit sequence using shortcuts to avoid delays](#) on page 315 where the RADIO is configured to use shortcuts between READY and START, and between END and DISABLE, which means that no delay is introduced.

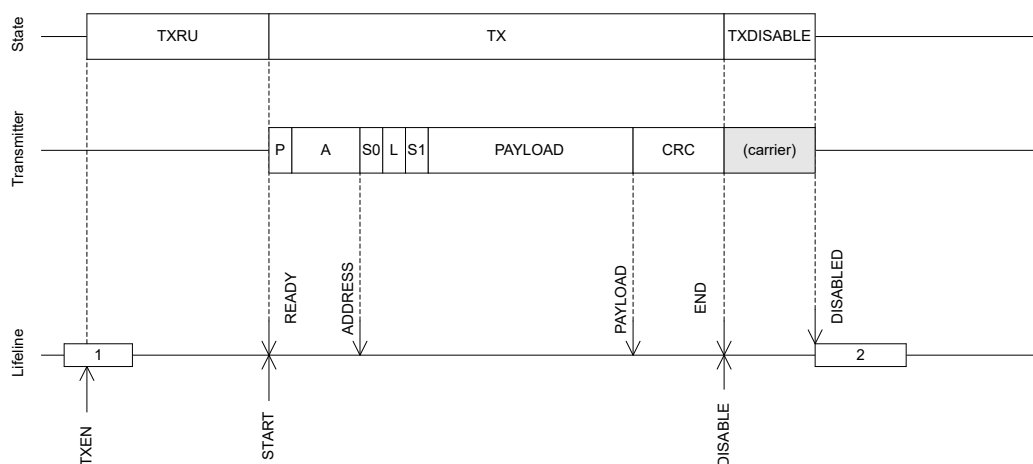


Figure 114: Transmit sequence using shortcuts to avoid delays

The RADIO is able to send multiple packets one after the other without having to disable and re-enable the RADIO between packets, this is illustrated in [Transmission of multiple packets](#) on page 316.

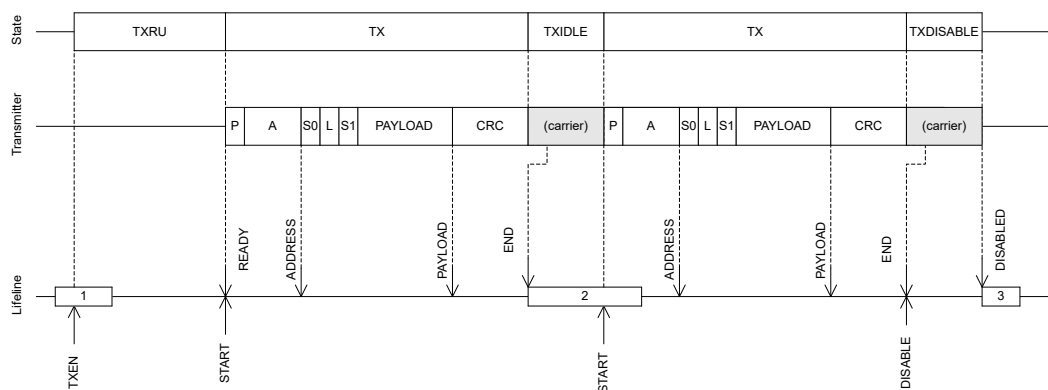


Figure 115: Transmission of multiple packets

### 6.20.7 Receive sequence

Before the RADIO is able to receive a packet, it must first ramp up in RX mode

See RXRU in [Radio states](#) on page 314 and [Receive sequence](#) on page 316.

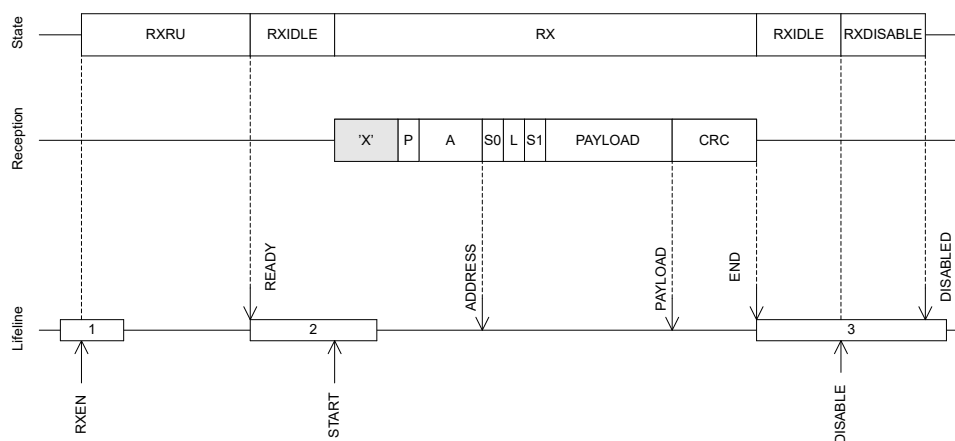


Figure 116: Receive sequence

An RXRU ramp up sequence is initiated when the RXEN task is triggered. After the radio has successfully ramped up it will generate the READY event indicating that a packet reception can be initiated. A packet reception is initiated by triggering the START task. As illustrated in [Radio states](#) on page 314 the START task can first be triggered after the RADIO has entered into the RXIDLE state.

[Receive sequence](#) on page 316 illustrates a single packet reception where the CPU manually triggers the different tasks needed to control the flow of the RADIO, i.e. no shortcuts are used. If shortcuts are not used, a certain amount of delay caused by CPU execution is expected between READY and START, and between END and DISABLE. As illustrated [Receive sequence](#) on page 316 the RADIO will be listening and possibly receiving undefined data, represented with an 'X', from START and until a packet with valid preamble (P) is received.

A slightly modified version of the receive sequence from [Receive sequence](#) on page 316 is illustrated in [Receive sequence using shortcuts to avoid delays](#) on page 317 where the RADIO is configured to use shortcuts between READY and START, and between END and DISABLE, which means that no delay is introduced.



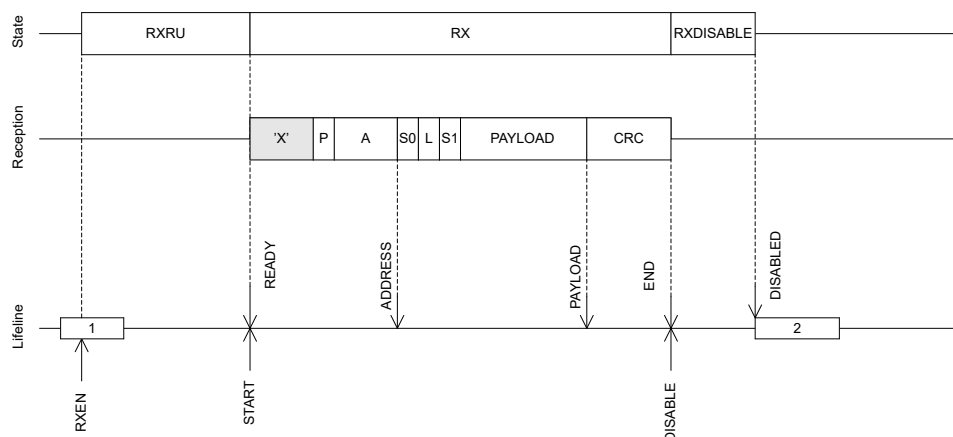


Figure 117: Receive sequence using shortcuts to avoid delays

The RADIO is able to receive multiple packets one after the other without having to disable and re-enable the RADIO between packets as illustrated in [Reception of multiple packets](#) on page 317.

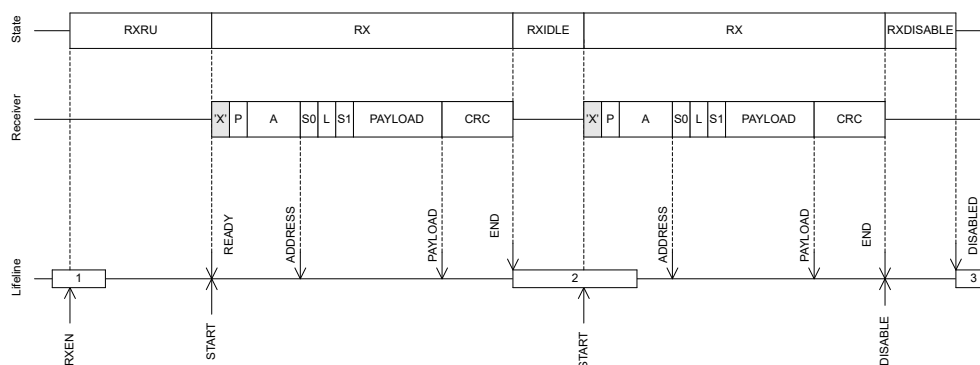


Figure 118: Reception of multiple packets

### 6.20.8 Received signal strength indicator (RSSI)

The RADIO implements a mechanism for measuring the power in the received signal. This feature is called received signal strength indicator (RSSI).

The RSSI is measured continuously and the value filtered using a single-pole IIR filter. After a signal level change, the RSSI will settle after approximately  $RSSI_{SETTLE}$ .

Sampling of the received signal strength is started by using the `RSSISTART` task. The sample can be read from the `RSSISAMPLE` register.

The sample period of the RSSI is defined by  $RSSI_{PERIOD}$ . The `RSSISAMPLE` will hold the filtered received signal strength after this sample period.

For the RSSI sample to be valid, the RADIO has to be enabled in receive mode (`RXEN` task) and the reception has to be started (`READY` event followed by `START` task).

### 6.20.9 Interframe spacing

Interframe spacing is the time interval between two consecutive packets.

It is defined as the time, in microseconds, from the end of the last bit of the previous packet received and to the start of the first bit of the subsequent packet that is transmitted. The RADIO is able to enforce this interval, as specified in the TIFS register, as long as the TIFS is not specified to be shorter than the RADIO's turnaround time, i.e. the time needed to switch off the receiver, and then switch the transmitter back on. The TIFS register can be written any time before the last bit on air is received.

This timing is illustrated in the figure below.

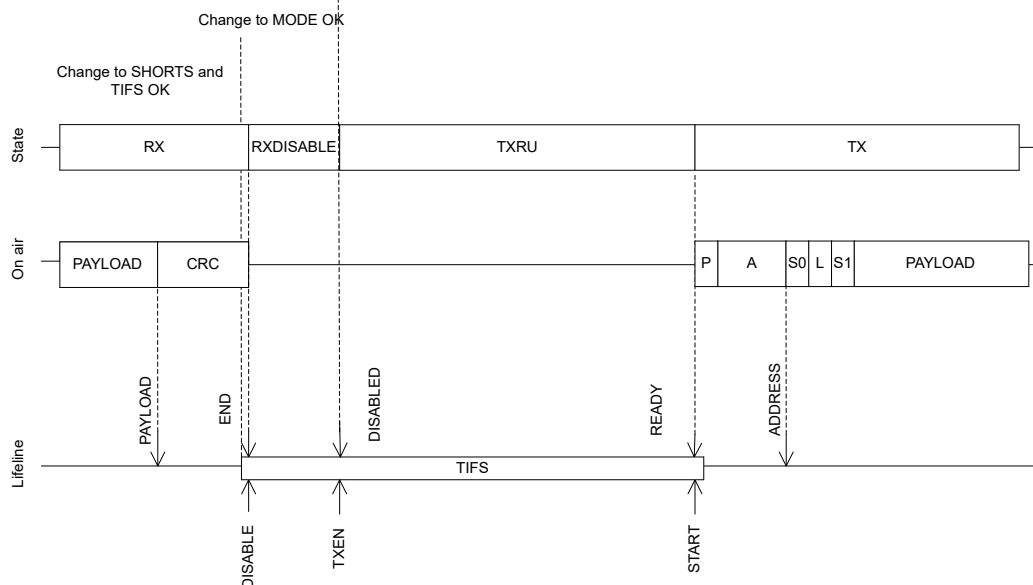


Figure 119: IFS timing detail

As illustrated, the TIFS duration starts after the last bit on air (just before the END event), and elapses with first bit being transmitted on air (just after READY event).

TIFS is only enforced if END\_DISABLE and DISABLED\_TXEN or END\_DISABLE and DISABLED\_RXEN shortcuts are enabled. TIFS is qualified for use in BLE\_1MBIT, BLE\_2MBIT, BLE\_LR125KBIT, BLE\_LR500KBIT and leee802154\_250Kbit mode using the default ramp-up mode. SHORTS and TIFS are not double-buffered, and can be updated at any point in time before the last bit on air is received. The MODE register is double-buffered and sampled at the TXEN or RXEN task.

### 6.20.10 Device address match

The device address match feature is tailored for address whitelisting in a *Bluetooth*<sup>®</sup> low energy and similar implementations.

This feature enables on-the-fly device address matching while receiving a packet on air. This feature only works in receive mode and as long as RADIO is configured for little endian, see PCNF1.ENDIAN.

The device address match unit assumes that the 48 first bits of the payload is the device address and that bit number 6 in S0 is the TxAdd bit. See the *Bluetooth*<sup>®</sup> Core Specification for more information about device addresses, TxAdd and whitelisting.

The RADIO is able to listen for eight different device addresses at the same time. These addresses are specified in a DAB/DAP register pair, one pair per address, in addition to a TxAdd bit configured in the DACNF register. The DAB register specifies the 32 least significant bits of the device address, while the DAP register specifies the 16 most significant bits of the device address.

Each of the device addresses can be individually included or excluded from the matching mechanism. This is configured in the DACNF register.

## 6.20.11 Bit counter

The RADIO implements a simple counter that can be configured to generate an event after a specific number of bits have been transmitted or received.

By using shortcuts, this counter can be started from different events generated by the RADIO and hence count relative to these.

The bit counter is started by triggering the BCSTART task, and stopped by triggering the BCSTOP task. A BCMATCH event will be generated when the bit counter has counted the number of bits specified in the BCC register. The bit counter will continue to count bits until the DISABLED event is generated or until the BCSTOP task is triggered. The CPU can therefore, after a BCMATCH event, reconfigure the BCC value for new BCMATCH events within the same packet.

The bit counter can only be started after the RADIO has received the ADDRESS event.

The bit counter will stop and reset on BCSTOP, STOP, END and DISABLE tasks.

The figure below illustrates how the bit counter can be used to generate a BCMATCH event in the beginning of the packet payload, and again generate a second BCMATCH event after sending 2 bytes (16 bits) of the payload.

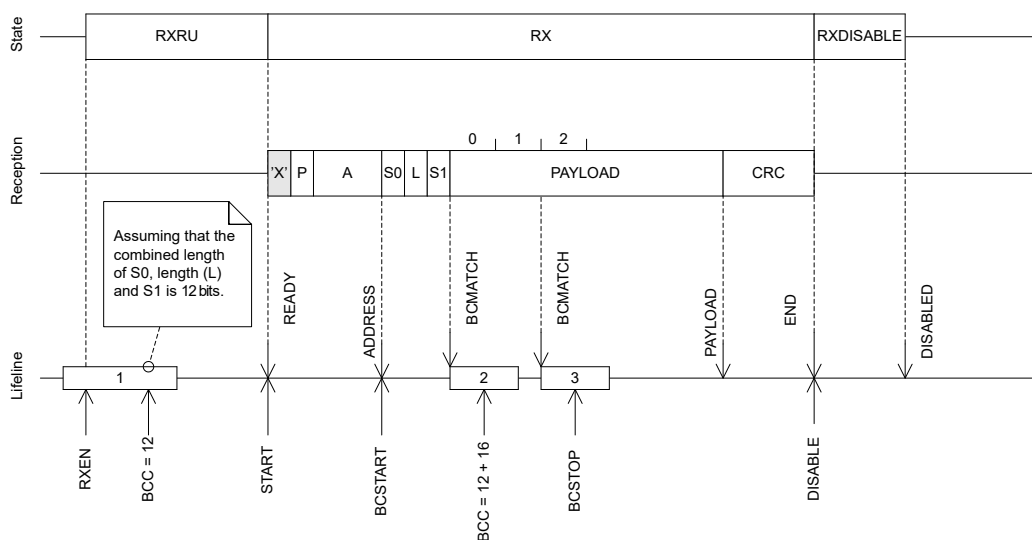


Figure 120: Bit counter example

## 6.20.12 IEEE 802.15.4 operation

With the MODE=ieee802154\_250kbit the radio module will comply with the IEEE 802.15.4-2006 standard implementing its 250 kbps 2450MHz O-QPSK PHY.

The IEEE 802.15.4 standard differs from Nordic's proprietary and *Bluetooth*<sup>®</sup> low energy modes. Obvious differences are modulation scheme and channel structure, but also packet structure, security and medium access control.

The main features of the IEEE 802.15.4 mode are:

- Ultra low power 250 kbps 2450MHz IEEE 802.15.4-2006 compliant link
- Clear channel assessment
- Energy detection scan
- CRC generation

### 6.20.12.1 Packet structure

The IEEE 802.15.4 standard defines an on the air frame/packet that is different from what is used in BLE mode.

The following figure provides an overview of the physical frame structure and its timing:

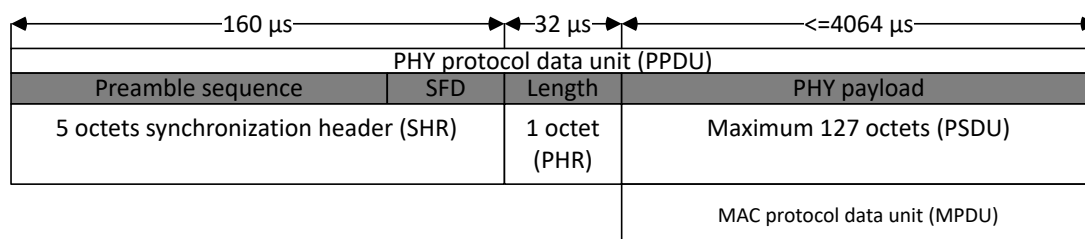


Figure 121: IEEE 802.15.4 frame format - PHY layer frame structure (PPDU)

The standard uses the term octet as storage unit for 8 bits within the PPDU. For timing, the value symbol is used, and it has the duration of 16 μs.

The total usable payload (PSDU) is 127 octets, but when CRC is being used, this is reduced to 125 octets of usable payload.

The preamble sequence consists of four octets that are all zero. These are used for the radio receiver to synchronize on. Following the four octets is a single octet named start of frame delimiter (SFD) with a fixed value of 0xA7. The user can program an alternative SFD through the SFD register. This feature is provided for an initial level of frame filtering for those who choose non-standard compliance. It is a valuable feature when operating in a congested or private network. The preamble sequence and the SFD are generated by the radio module, and are not programmed by the user into the frame buffer.

The PHY header (PHR) is a single octet following the synchronization header (SHR). The least significant seven bits denote the frame length of the following PSDU. The most significant bit is reserved and is set to zero for frames that are standard compliant. The radio module will report all eight bits and it can potentially be used to carry some information. The PHR is the first byte that will be written to the frame data memory pointed to by PACKETPTR. Frames with zero length will be discarded, and the FRAMESTART event will not be generated in this case.

The next N octets will carry the data of the PHY packet, where N equals the value of the PHR. For an implementation also using the IEEE 802.15.4 MAC layer, the PHY data will be a MAC frame of N-2 octets since two octets will occupy a CRC field.

An IEEE 802.15.4 MAC frame will always consist of a header (the frame control field (FCF), sequence number and addressing fields), a payload, and the 16-bit frame control sequence (FCS), as is illustrated in the figure below.

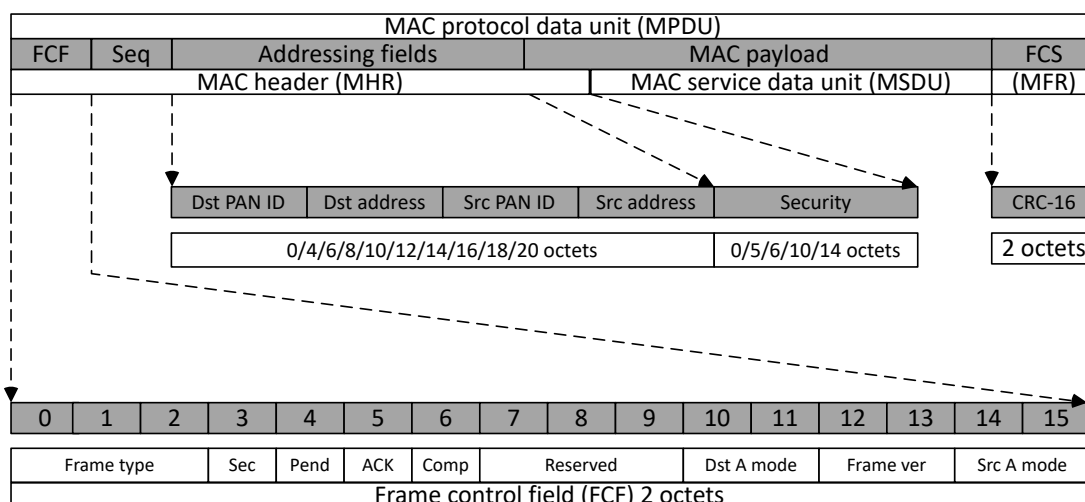


Figure 122: IEEE 802.15.4 frame format - MAC layer frame structure (MPDU)

The two FCF octets contain information about what type of frame this is, what addressing it uses, and other control flags. This field is decoded when using the assisted operating modes offered by the radio.

The sequence number is a single octet in size and is unique for a frame. It will be used in the associated acknowledgement frame sent upon successful frame reception.

The addressing field can be zero (acknowledgement frame) or up to 20 octets in size. The field is used to direct packets to the correct recipient as well as denoting its origin. IEEE 802.15.4 bases its addressing on networks being organized in PANs with 16-bit identifier and nodes having a 16-bit or 64-bit address. In the assisted receive mode, these parameters are analyzed for address matching and acknowledgement.

The MAC payload carries the data of the next higher layer, or in the case of a MAC command frame information used by the MAC layer itself.

The two last octets contain the 16-bit ITU-T CRC. The FCS is calculated over the MAC header (MHR) and MAC payload (MSDU) parts of the frame. This field is calculated automatically when sending a frame, or indicated in the CRCSTATUS register when a frame is received. This feature is taken care of autonomously, by the CRC module (if configured).

### 6.20.12.2 Operating frequencies

The IEEE 802.15.4 standard defines 16 channels [11 - 26] of 5 MHz each in the 2450 MHz frequency band.

The FREQUENCY register of the radio module must be programmed according to table below for correct operation on the center frequency defined for each channel.

| IEEE 802.15.4 channel | Center frequency (MHz) | FREQUENCY setting |
|-----------------------|------------------------|-------------------|
| Channel 11            | 2405                   | 5                 |
| Channel 12            | 2410                   | 10                |
| Channel 13            | 2415                   | 15                |
| Channel 14            | 2420                   | 20                |
| Channel 15            | 2425                   | 25                |
| Channel 16            | 2430                   | 30                |
| Channel 17            | 2435                   | 35                |
| Channel 18            | 2440                   | 40                |
| Channel 19            | 2445                   | 45                |
| Channel 20            | 2450                   | 50                |
| Channel 21            | 2455                   | 55                |
| Channel 22            | 2460                   | 60                |
| Channel 23            | 2465                   | 65                |
| Channel 24            | 2470                   | 70                |
| Channel 25            | 2475                   | 75                |
| Channel 26            | 2480                   | 80                |

Table 88: IEEE 802.15.4 center frequency definition

### 6.20.12.3 Energy detection (ED)

The IEEE 802.15.4 standard requires that it is possible to sample the received signal power within the bandwidth of a channel for the purpose of determining presence of activity.

There should be no attempt made to decode the signals on the channel, and this is done by disabling the shortcut between READY event and START task before putting the radio in receive mode. The energy detection (ED) measurement time where RSSI samples are averaged over is 8 symbol periods (128  $\mu$ s). The standard further specifies the measurement to be a number between 0 and 0xFF - where 0 shall indicate received power less than 10 dB above the selected receiver sensitivity. The power range of the ED values must be at least 40 dB with a linear mapping with accuracy of  $\pm 6$  dB. See section 6.9.7 *Receiver ED* in the IEEE 802.15.4 standard for further details. An example of an ED scan is given below.

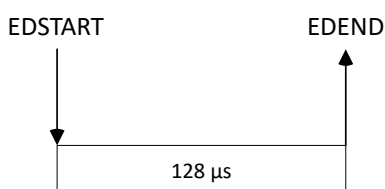
Below is a code snippet showing how to perform a single energy detection measurement and convert to IEEE 802.15.4 scale.

```
#define ED_RSSISCALE 4 // From electrical specifications
uint8_t sample_ed(void)
{
    int val;
    NRF_RADIO->TASKS_EDSTART = 1; // Start
    while (NRF_RADIO->EVENTS_EDEND != 1) {
        // CPU can sleep here or do something else
        // Use of interrupts are encouraged
    }
    val = NRF_RADIO->EDSAMPLE; // Read level
    return (uint8_t)(val>63 ? 255 : val*ED_RSSISCALE); // Convert to IEEE 802.15.4 scale
}
```

For scaling between hardware value and dBm, see [Conversion between hardware value and dBm](#) on page 323.

It is the mlme-scan.req primitive of the MAC layer that is using the ED measurement to detect channels where there might be wireless activity. To assist this primitive a tailored mode of operation is available where the ED measurement runs for a defined number of iterations where it keeps track of the maximum ED level. This is engaged by writing the EDCNT register to a value different from 0, it will then run the specified number of iterations reporting the maximum energy measurement in the EDSAMPLE register. The scan is started with EDSTART task and its end indicated with the EDEND event. This greatly reduces the interrupt frequency and hence power consumption. The figure below shows how the ED measurement will operate depending on the EDCNT register.

EDCNT = 0



EDCNT = N-1

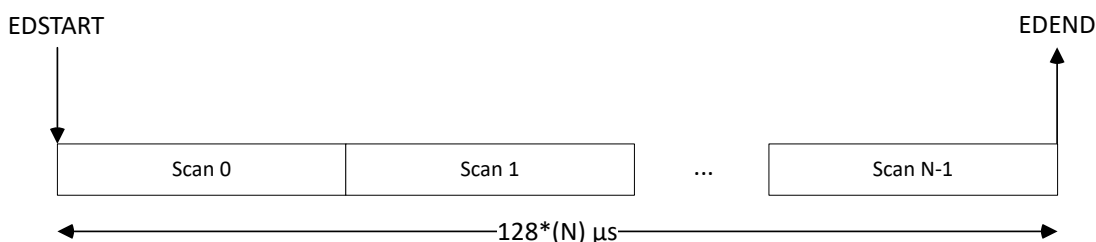


Figure 123: Energy detection measurement examples

An ongoing scan can always be stopped by writing the EDSTOP task. It will be followed by the EDSTOPPED event when the module has terminated.

#### 6.20.12.4 Clear channel assessment (CCA)

IEEE 802.15.4 implements a listen-before-talk channel access method to avoid collisions when transmitting - namely carrier sense multiple access with collision avoidance (CSMA-CA). The key part of this is measuring if the wireless medium is busy or not.

At least three methods must be supported:

- Mode 1 (energy above threshold): The medium is reported busy upon detecting any energy above the ED threshold
- Mode 2 (carrier sense only): The medium is reported busy upon detection of a signal compliant with the IEEE 802.15.4 standard with the same modulation and spreading characteristics
- Mode 3 (carrier sense and threshold): The medium is reported busy by logically ANDing or ORing the results from mode 1 and mode 2.

It is furthermore specified that the clear channel assessment should survey a period equal to 8 symbols or 128  $\mu$ s.

The radio module has to be in receive mode and be able to receive correct packets when performing the CCA. The shortcut between READY and START must be disabled if baseband processing is not to be performed while the measurement is running.

Mode 1 is enabled by first configuring the field `CCAMODE=EdMode` in `CCACTRL` and writing the `CCAEDTHRES` field to a chosen value. When the `CCASTART` task is written the radio module will perform a ED measurement for 8 symbols and compare the measured level with that found in the `CCAEDTHRES` field. If the measured value is higher than or equal to this threshold the `CCABUSY` event is generated - the `CCAIDLE` event is generated if the measured level is less than the threshold.

The conversion from `CCAEDTHRES`, `CCA` or `EDLEVEL` value to dBm can be done with the following equation, where  $VAL_{\text{HARDWARE}}$  is the hardware-reported values, being either `CCAEDTHRES`, `CCA` or `EDLEVEL`, and constants `ED_RSSISCALE` and `ED_RSSIOFFS` are from electrical specifications:

$$P_{\text{RF}}[\text{dBm}] = \text{ED\_RSSIOFFS} + \text{ED\_RSSISCALE} \times VAL_{\text{HARDWARE}}$$

Figure 124: Conversion between hardware value and dBm

Mode 2 is enabled by configuring the `CCAMODE=CarrierMode`. In carrier mode the module will sample to see if a valid SFD is found during the 8 symbols. If a valid SFD is seen the `CCABUSY` event is generated and the node should not send any data. The `CCABUSY` event is also generated if the scan was performed during an ongoing frame reception. In the case where the measurement period completes with no SFD detection the `CCAIDLE` task is generated. With the `CCA_CORR_COUNT` unequal to zero the algorithm will look at the correlator output in addition to the SFD detection signal. If a SFD is reported during the scan period it will terminate immediately indicating busy medium. Similarly, if the number of peaks above `CCA_CORRTHRES` crosses the `CCA_CORR_COUNT` the `CCABUSY` event is generated. If less than `CCA_CORR_COUNT` crossings are found and no SFD is reported the `CCAIDLE` signal will be generated and it is ok for the node to commence sending data.

With the `CCA_MODE=CarrierAndEdMode` or `CCA_MODE=CarrierOrEdMode` a logical combination of the result from running both mode 1 and mode 2 is performed. The `CCABUSY` or `CCAIDLE` signal will be generated based on an ANDing or ORing of the internal signals from performing both the energy detection and carrier detection scans.

An ongoing CCA can always be stopped by issuing the `CCASTOP` task. This will trigger the associated `CCASTOPPED` event.

For CCA mode automation there are three shortcuts available. One is between `CCAIDLE` and `TXEN`. This short must always be used in conjunction with the short between `CCAIDLE` and `STOP`. This automation is provided so that the radio can automatically switch between RX (when performing the CCA) and to TX where the packet is sent. The last shortcut associated with the CCA mode is between `CCABUSY` and `DISABLE`. This will cause the radio to be disabled whenever the CCA reports a busy medium.

Another handy shortcut is between `RXREADY` and `CCASTART`. When the radio has ramped up into RX mode it can immediately start a CCA.

### 6.20.12.5 Cyclic redundancy check (CRC)

IEEE 802.15.4 uses a 16-bit ITU-T cyclic redundancy check (CRC) calculated over the MAC header (MHR) and MAC service data unit (MSDU).

The standard defines the following generator polynomial:

$$G(x) = x^{16} + x^{12} + x^5 + 1$$

In receive mode the radio will trigger the CRC module when the first octet after the frame length (PHR) is received. The CRC will then update on each consecutive octet received. When a complete frame is received the CRCSTATUS register will be updated accordingly and the EVENTS\_CRCOK or EVENTS\_CRCERROR generated. When the CRC module is enabled it will not write the two last octets (CRC) to the frame Data RAM. When transmitting the CRC will be computed on the fly, starting with the first octet after PHR, and inserted as the two last octets in the frame. The EasyDMA will fetch frame length - 2 octets from DataRAM and insert the CRC octets insitu.

Below is a code snippet for configuring the CRC module for correct operation when in IEEE 802.15.4 mode. The CRCCNF is written to 16-bit CRC and the CRCPOLY is written to 0x121. The start value used by IEEE 802.15.4 is zero and CRCINIT is configured to reflect this.

```
/* 16-bit CRC with ITU-T polynomial with 0 as start condition*/
write_reg(NRFRADIO_REG(CRCCNF), 0x202);
write_reg(NRFRADIO_REG(CRCPOLY), 0x11021);
write_reg(NRFRADIO_REG(CRCINIT), 0);
```

The ENDIANESS subregister must be set to little-endian since the FCS field is transmitted leftmost bit first.

### 6.20.12.6 Transmit sequence

The transmission is started by first putting the radio in receive mode sending the RXEN task.

An outline of the IEEE 802.15.4 transmission is illustrated in the figure below.

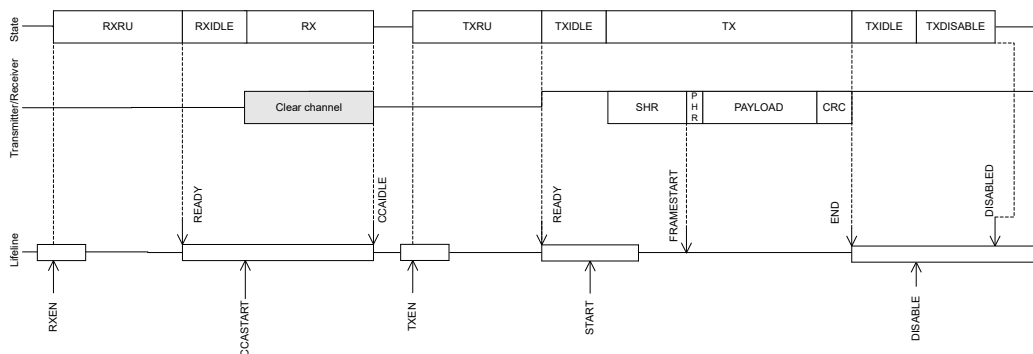


Figure 125: IEEE 802.15.4 transmit sequence

The receiver will ramp up and enter the RXIDLE state where the READY event is generated. Upon receiving the ready event the CCA is started by writing to the CCASTART task register. The chosen mode of assessment (CCA\_MODE register) will be performed and signal the CCAIDLE or CCABUSY event 128  $\mu$ s later. If the CCABUSY is received the radio will have to retry the CCA after a specific back off period as outlined in the IEEE 802.15.4 standard (see Figure 69 in section 7.5.1.4 *The CSMA-CA algorithm* of the standard).

When the CCAIDLE event on the other hand is generated the user shall write to the TXEN task register to enter the TXRU state. The READY event will be generated when the radio is in TXIDLE state and ready



to transmit. With the PACKETPTR pointing to the length (PHR) field of the frame the START task can be written. The radio will send the four octet preamble sequence followed by the start of frame delimiter (SFD register). The first byte read from the Data RAM is the length field (PHR) followed by the transmission of the number of bytes indicated as the frame length. If the CRC module is configured it will run for PHR-2 octets. The last two octets will be substituted with the results from running the CRC. The necessary CRC parameters are sampled on the START task. The FCS field of the frame is little endian.

In addition to the already available shortcuts, one is provided between READY event and CCASTART task so that a CCA can automatically start when the receiver is ready. And a second shortcut has been added between CCAIDLE event and the TXEN task so that upon detecting a clear channel the radio can immediately enter transmit mode.

### 6.20.12.7 Receive sequence

The reception is started by first putting the radio in receive mode. Writing to the RXEN task the radio will start ramping up and enter the RXRU state.

When the READY event is generated the radio has entered the RXIDLE mode. For the baseband processing to be enabled the START task must be written. An outline of the IEEE 802.15.4 reception can be found in figure below.

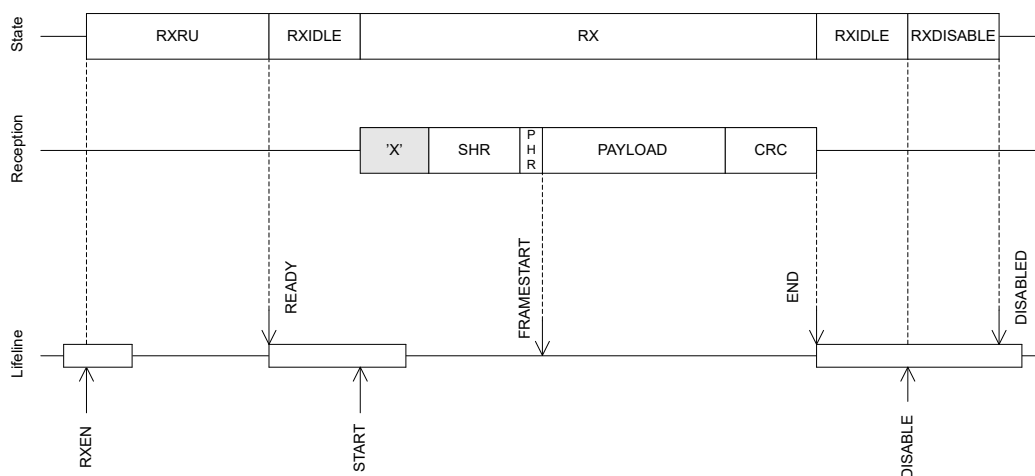


Figure 126: IEEE 802.15.4 receive sequence

When a valid SHR is received the radio will start storing future octets (starting with PHR) to the data memory pointed to by PACKETPTR. After the SFD octet is received the FRAMESTART event is generated. If the CRC module is enabled it will start updating with the second byte received (first byte in payload) and run for the full frame length. The two last bytes in the frame is not written to DataRAM when CRC is configured. However, if the result of the CRC after running the full frame is zero the CRCOK event will be generated. The END event is generated when the last octet has been received and is available in DataRAM.

When a packet is received a link quality indicator (LQI) is also generated and appended immediately after the last received octet. When using IEEE 802.15.4 compliant frame this will be just after the MSDU since the FCS is not reported. In the case of a non-compliant frame it will be appended after the full frame. The LQI reported by hardware must be converted to IEEE 802.15.4 range by an 8-bit saturating multiplication by 4, as shown in the code example for ED sampling. The LQI is only valid for frames equal to or longer than three octets. When receiving a frame the RSSI (reported as negative dB) will be measured at three points during the reception. These three values will be sorted and the middle one selected (median 3) for then to be remapped within the LQI range. The following figure illustrates the LQI measurement and how the data is arranged in the DataRAM:

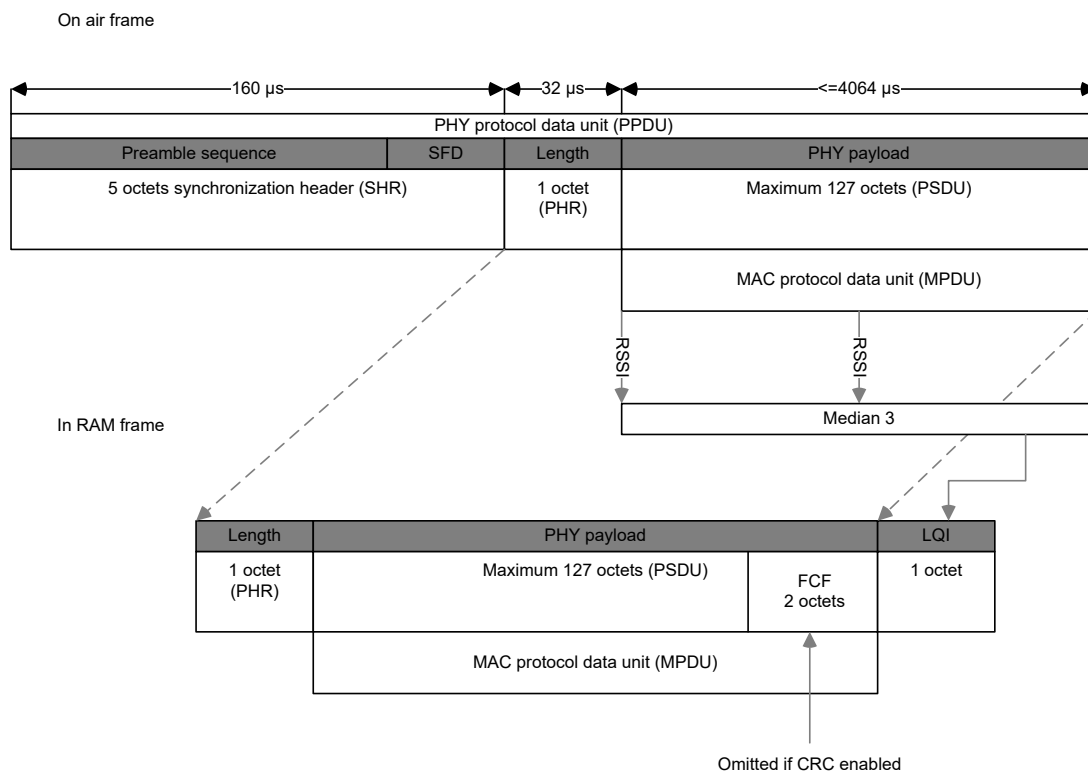


Figure 127: IEEE 802.15.4 frame in Data RAM

A shortcut has been added between FRAMESTART event and the BCSTART task. This can be used to trigger a BCMATCH event after N bits, such as when inspecting the MAC addressing fields.

### 6.20.12.8 Interframe spacing (IFS)

The IEEE 802.15.4 standard defines a specific time that is allotted for the MAC sublayer to process received data. Usage of this interframe spacing (IFS) comes into play to avoid that two frames are transmitted too close to each other in time. If the a transmission is requesting an acknowledgement, the speration to the second frame shall be at least an IFS period.

The IFS is determined to be:

- IFS equals macMinSIFSPeriod (12 symbols) if the MPDU is less than or equal to aMaxSIFSFrameSize (18 octets) octets
- IFS equals macMinLIFSPeriod (40 symbols) if the MPDU is larger than aMaxSIFSFrameSize

Using the efficient assisted modes in the radio module the TIFS will be programmed with the correct value based on the frame being transmitted. If the assisted modes are not being used the user must update the TIFS register manually. The figure below provides details on what IFS period is valid in both acknowledged and unacknowledged transmissions.

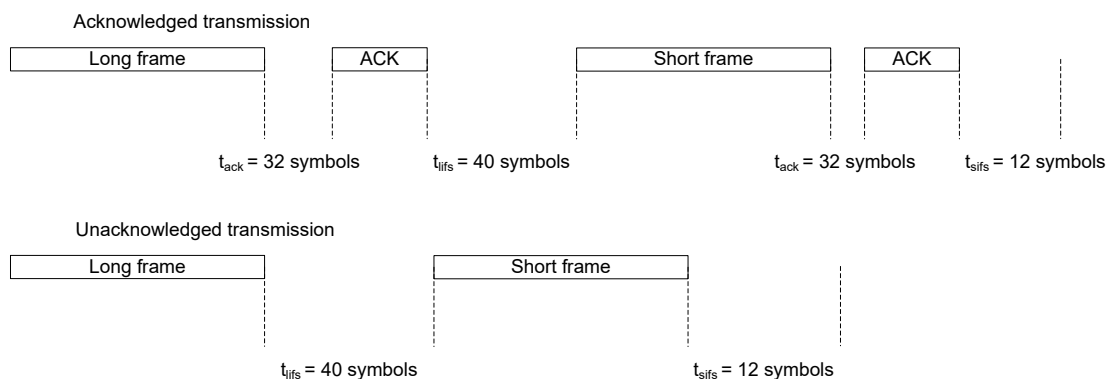


Figure 128: Interframe spacing examples

### 6.20.13 EasyDMA

The RADIO uses EasyDMA for reading of data packets from and writing to RAM, without CPU involvement.

As illustrated in [RADIO block diagram](#) on page 311, the RADIO's EasyDMA utilizes the same PACKETPTR for receiving and transmitting packets. This pointer should be reconfigured by the CPU each time before RADIO is started by the START task. The PACKETPTR registers is double-buffered, meaning that it can be updated and prepared for the next transmission.

**Important:** If the PACKETPTR is not pointing to the Data RAM region, an EasyDMA transfer may result in a HardFault or RAM corruption. See [Memory](#) on page 20 for more information about the different memory regions.

The END event indicates that the last bit has been processed by the radio. The DISABLED event is issued to acknowledge that a DISABLE task is done.

The structure of a radio packet is described in detail in [Packet configuration](#) on page 311. The data that is stored in Data RAM and transported by EasyDMA consists of the following fields:

- S0
- LENGTH
- S1
- PAYLOAD

In addition, a static add-on is sent immediately after the payload.

The size of each of the above fields in the frame is configurable (see [Packet configuration](#) on page 311), and the space occupied in RAM depends on these settings. A size of zero is possible for any of the fields, it is up to the user to make sure that the resulting frame complies with the RF protocol chosen.

All fields are extended in size to align with a byte boundary in RAM. For instance a 3 bit long field on air will occupy 1 byte in RAM while a 9 bit long field will be extended to 2 bytes.

The radio packets elements can be configured as follows:

- CI, TERM1 and TERM2 fields are only present in *Bluetooth*<sup>®</sup> low energy long range mode
- S0 is configured through the SOLEN field in PCNF0
- LENGTH is configured through the LFLEN field in PCNF0
- S1 is configured through the S1LEN field in PCNF0
- Size of the payload is configured through the value in RAM corresponding to the LENGTH field
- Size of the static add-on to the payload is configured through the STATLEN field in PCNF1

The MAXLEN field in the PCNF1 register configures the maximum packet payload plus add-on size in number of bytes that can be transmitted or received by the RADIO. This feature can be used to ensure that the RADIO does not overwrite, or read beyond, the RAM assigned to the packet payload. This means

that if the packet payload length defined by PCNF1.STATLEN and the LENGTH field in the packet specifies a packet larger than MAXLEN, the payload will be truncated at MAXLEN.

**Note:** The MAXLEN includes the payload and the add-on, but excludes the size occupied by the S0, LENGTH and S1 fields. This has to be taken into account when allocating RAM.

If the payload and add-on length is specified larger than MAXLEN, the RADIO will still transmit or receive in the same way as before, except the payload is now truncated to MAXLEN. The packet's LENGTH field will not be altered when the payload is truncated. The RADIO will calculate CRC as if the packet length is equal to MAXLEN.

**Note:** If the PACKETPTR is not pointing to the Data RAM region, an EasyDMA transfer may result in a HardFault or RAM corruption. See [Memory](#) on page 20 for more information about the different memory regions.

The END event indicates that the last bit has been processed by the radio. The DISABLED event is issued to acknowledge that an DISABLE task is done.

## 6.20.14 Registers

| Base address | Peripheral | Instance | Description   | Configuration |
|--------------|------------|----------|---------------|---------------|
| 0x40001000   | RADIO      | RADIO    | 2.4 GHz radio |               |

Table 89: Instances

| Register          | Offset | Description   |
|-------------------|--------|---|
| TASKS_TXEN        | 0x000  | Enable RADIO in TX mode   |
| TASKS_RXEN        | 0x004  | Enable RADIO in RX mode   |
| TASKS_START       | 0x008  | Start RADIO   |
| TASKS_STOP        | 0x00C  | Stop RADIO  |
| TASKS_DISABLE     | 0x010  | Disable RADIO   |
| TASKS_RSSISTART   | 0x014  | Start the RSSI and take one single sample of the receive signal strength                                      |
| TASKS_RSSISTOP    | 0x018  | Stop the RSSI measurement   |
| TASKS_BCSTART     | 0x01C  | Start the bit counter   |
| TASKS_BCSTOP      | 0x020  | Stop the bit counter  |
| TASKS_EDSTART     | 0x024  | Start the energy detect measurement used in IEEE 802.15.4 mode  |
| TASKS_EDSTOP      | 0x028  | Stop the energy detect measurement  |
| TASKS_CCSTART     | 0x02C  | Start the clear channel assessment used in IEEE 802.15.4 mode   |
| TASKS_CCSTOP      | 0x030  | Stop the clear channel assessment   |
| EVENTS_READY      | 0x100  | RADIO has ramped up and is ready to be started  |
| EVENTS_ADDRESS    | 0x104  | Address sent or received  |
| EVENTS_PAYLOAD    | 0x108  | Packet payload sent or received   |
| EVENTS_END        | 0x10C  | Packet sent or received   |
| EVENTS_DISABLED   | 0x110  | RADIO has been disabled   |
| EVENTS_DEVMATCH   | 0x114  | A device address match occurred on the last received packet   |
| EVENTS_DEVMISS    | 0x118  | No device address match occurred on the last received packet  |
| EVENTS_RSSIEND    | 0x11C  | Sampling of receive signal strength complete  |
| EVENTS_BCMATCH    | 0x128  | Bit counter reached bit count value   |
| EVENTS_CRCOK      | 0x130  | Packet received with CRC ok   |
| EVENTS_CRCERROR   | 0x134  | Packet received with CRC error  |
| EVENTS_FRAMESTART | 0x138  | IEEE 802.15.4 length field received   |
| EVENTS_EDEND      | 0x13C  | Sampling of energy detection complete. A new ED sample is ready for readout from the RADIO.EDSAMPLE register. |

| Register          | Offset | Description  |
|-------------------|--------|--|
| EVENTS_EDSTOPPED  | 0x140  | The sampling of energy detection has stopped   |
| EVENTS_CCAIDLE    | 0x144  | Wireless medium in idle - clear to send  |
| EVENTS_CCABUSY    | 0x148  | Wireless medium busy - do not send   |
| EVENTS_CCASTOPPED | 0x14C  | The CCA has stopped  |
| EVENTS_RATEBOOST  | 0x150  | Ble_LR CI field received, receive mode is changed from Ble_LR125Kbit to Ble_LR500Kbit.               |
| EVENTS_TXREADY    | 0x154  | RADIO has ramped up and is ready to be started TX path   |
| EVENTS_RXREADY    | 0x158  | RADIO has ramped up and is ready to be started RX path   |
| EVENTS_MHRMATCH   | 0x15C  | MAC header match found   |
| EVENTS_SYNC       | 0x168  | Preamble indicator.  |
| EVENTS_PHYEND     | 0x16C  | Generated in Ble_LR125Kbit, Ble_LR500Kbit and leee802154_250Kbit modes when last bit is sent on air. |
| SHORTS            | 0x200  | Shortcuts between local events and tasks   |
| INTENSET          | 0x304  | Enable interrupt   |
| INTENCLR          | 0x308  | Disable interrupt  |
| CRCSTATUS         | 0x400  | CRC status   |
| RXMATCH           | 0x408  | Received address   |
| RXCRC             | 0x40C  | CRC field of previously received packet  |
| DAI               | 0x410  | Device address match index   |
| PDUSTAT           | 0x414  | Payload status   |
| PACKETPTR         | 0x504  | Packet pointer   |
| FREQUENCY         | 0x508  | Frequency  |
| TXPOWER           | 0x50C  | Output power   |
| MODE              | 0x510  | Data rate and modulation   |
| PCNF0             | 0x514  | Packet configuration register 0  |
| PCNF1             | 0x518  | Packet configuration register 1  |
| BASE0             | 0x51C  | Base address 0   |
| BASE1             | 0x520  | Base address 1   |
| PREFIX0           | 0x524  | Prefixes bytes for logical addresses 0-3   |
| PREFIX1           | 0x528  | Prefixes bytes for logical addresses 4-7   |
| TXADDRESS         | 0x52C  | Transmit address select  |
| RXADDRESSES       | 0x530  | Receive address select   |
| CRC CNF           | 0x534  | CRC configuration  |
| CRC POLY          | 0x538  | CRC polynomial   |
| CRC INIT          | 0x53C  | CRC initial value  |
| TIFS              | 0x544  | Interframe spacing in $\mu$ s  |
| RSSISAMPLE        | 0x548  | RSSI sample  |
| STATE             | 0x550  | Current radio state  |
| DATAWHITEIV       | 0x554  | Data whitening initial value   |
| BCC               | 0x560  | Bit counter compare  |
| DAB[0]            | 0x600  | Device address base segment 0  |
| DAB[1]            | 0x604  | Device address base segment 1  |
| DAB[2]            | 0x608  | Device address base segment 2  |
| DAB[3]            | 0x60C  | Device address base segment 3  |
| DAB[4]            | 0x610  | Device address base segment 4  |
| DAB[5]            | 0x614  | Device address base segment 5  |
| DAB[6]            | 0x618  | Device address base segment 6  |
| DAB[7]            | 0x61C  | Device address base segment 7  |
| DAP[0]            | 0x620  | Device address prefix 0  |
| DAP[1]            | 0x624  | Device address prefix 1  |
| DAP[2]            | 0x628  | Device address prefix 2  |
| DAP[3]            | 0x62C  | Device address prefix 3  |
| DAP[4]            | 0x630  | Device address prefix 4  |
| DAP[5]            | 0x634  | Device address prefix 5  |

| Register     | Offset | Description                                    |
|--------------|--------|--|
| DAP[6]       | 0x638  | Device address prefix 6                        |
| DAP[7]       | 0x63C  | Device address prefix 7                        |
| DACNF        | 0x640  | Device address match configuration             |
| MHRMATCHCONF | 0x644  | Search pattern configuration                   |
| MHRMATCHMAS  | 0x648  | Pattern mask                                   |
| MODECNFO     | 0x650  | Radio mode configuration register 0            |
| SFD          | 0x660  | IEEE 802.15.4 start of frame delimiter         |
| EDCNT        | 0x664  | IEEE 802.15.4 energy detect loop count         |
| EDSAMPLE     | 0x668  | IEEE 802.15.4 energy detect level              |
| CCACTRL      | 0x66C  | IEEE 802.15.4 clear channel assessment control |
| POWER        | 0xFFC  | Peripheral power control                       |

Table 90: Register overview

### 6.20.14.1 TASKS\_TXEN

Address offset: 0x000

Enable RADIO in TX mode

| Bit number       | 31 30 29 28 27 26 25 24 23 22 21 20 19 18 17 16 15 14 13 12 11 10 9 8 7 6 5 4 3 2 1 0 |          |       |   |  |  |  |  |  |  |  |  |  |  |  |  |  |  |  |  |  |  |  |  |  |  |  |  |  |  |  |
|------------------|---|----------|-------|---|--|--|--|--|--|--|--|--|--|--|--|--|--|--|--|--|--|--|--|--|--|--|--|--|--|--|--|
| ID               | A   |          |       |   |  |  |  |  |  |  |  |  |  |  |  |  |  |  |  |  |  |  |  |  |  |  |  |  |  |  |  |
| Reset 0x00000000 | 0           |          |       |   |  |  |  |  |  |  |  |  |  |  |  |  |  |  |  |  |  |  |  |  |  |  |  |  |  |  |  |
| ID               | Acce Field  | Value ID | Value | Description                             |  |  |  |  |  |  |  |  |  |  |  |  |  |  |  |  |  |  |  |  |  |  |  |  |  |  |  |
| A                | W TASKS_TXEN  | Trigger  | 1     | Enable RADIO in TX mode<br>Trigger task |  |  |  |  |  |  |  |  |  |  |  |  |  |  |  |  |  |  |  |  |  |  |  |  |  |  |  |

### 6.20.14.2 TASKS\_RXEN

Address offset: 0x004

Enable RADIO in RX mode

| Bit number       | 31 30 29 28 27 26 25 24 23 22 21 20 19 18 17 16 15 14 13 12 11 10 9 8 7 6 5 4 3 2 1 0 |          |       |   |  |  |  |  |  |  |  |  |  |  |  |  |  |  |  |  |  |  |  |  |  |  |  |  |  |  |  |
|------------------|---|----------|-------|---|--|--|--|--|--|--|--|--|--|--|--|--|--|--|--|--|--|--|--|--|--|--|--|--|--|--|--|
| ID               | A   |          |       |   |  |  |  |  |  |  |  |  |  |  |  |  |  |  |  |  |  |  |  |  |  |  |  |  |  |  |  |
| Reset 0x00000000 | 0           |          |       |   |  |  |  |  |  |  |  |  |  |  |  |  |  |  |  |  |  |  |  |  |  |  |  |  |  |  |  |
| ID               | Acce Field  | Value ID | Value | Description                             |  |  |  |  |  |  |  |  |  |  |  |  |  |  |  |  |  |  |  |  |  |  |  |  |  |  |  |
| A                | W TASKS_RXEN  | Trigger  | 1     | Enable RADIO in RX mode<br>Trigger task |  |  |  |  |  |  |  |  |  |  |  |  |  |  |  |  |  |  |  |  |  |  |  |  |  |  |  |

### 6.20.14.3 TASKS\_START

Address offset: 0x008

Start RADIO

| Bit number       | 31 30 29 28 27 26 25 24 23 22 21 20 19 18 17 16 15 14 13 12 11 10 9 8 7 6 5 4 3 2 1 0 |          |       |                             |  |  |  |  |  |  |  |  |  |  |  |  |  |  |  |  |  |  |  |  |  |  |  |  |  |  |  |
|------------------|---|----------|-------|-----------------------------|--|--|--|--|--|--|--|--|--|--|--|--|--|--|--|--|--|--|--|--|--|--|--|--|--|--|--|
| ID               | A   |          |       |                             |  |  |  |  |  |  |  |  |  |  |  |  |  |  |  |  |  |  |  |  |  |  |  |  |  |  |  |
| Reset 0x00000000 | 0           |          |       |                             |  |  |  |  |  |  |  |  |  |  |  |  |  |  |  |  |  |  |  |  |  |  |  |  |  |  |  |
| ID               | Acce Field  | Value ID | Value | Description                 |  |  |  |  |  |  |  |  |  |  |  |  |  |  |  |  |  |  |  |  |  |  |  |  |  |  |  |
| A                | W TASKS_START   | Trigger  | 1     | Start RADIO<br>Trigger task |  |  |  |  |  |  |  |  |  |  |  |  |  |  |  |  |  |  |  |  |  |  |  |  |  |  |  |

### 6.20.14.4 TASKS\_STOP

Address offset: 0x00C

Stop RADIO

| Bit number       | 31 30 29 28 27 26 25 24 23 22 21 20 19 18 17 16 15 14 13 12 11 10 9 8 7 6 5 4 3 2 1 0 |          |       |              |  |  |  |  |  |  |  |  |  |  |  |  |  |  |  |  |  |  |  |  |  |  |  |  |  |  |  |
|------------------|---|----------|-------|--------------|--|--|--|--|--|--|--|--|--|--|--|--|--|--|--|--|--|--|--|--|--|--|--|--|--|--|--|
| ID               | A   |          |       |              |  |  |  |  |  |  |  |  |  |  |  |  |  |  |  |  |  |  |  |  |  |  |  |  |  |  |  |
| Reset 0x00000000 | 0                       |          |       |              |  |  |  |  |  |  |  |  |  |  |  |  |  |  |  |  |  |  |  |  |  |  |  |  |  |  |  |
| ID               | Acce Field  | Value ID | Value | Description  |  |  |  |  |  |  |  |  |  |  |  |  |  |  |  |  |  |  |  |  |  |  |  |  |  |  |  |
| A                | W TASKS_STOP  |          |       | Stop RADIO   |  |  |  |  |  |  |  |  |  |  |  |  |  |  |  |  |  |  |  |  |  |  |  |  |  |  |  |
|                  |   | Trigger  | 1     | Trigger task |  |  |  |  |  |  |  |  |  |  |  |  |  |  |  |  |  |  |  |  |  |  |  |  |  |  |  |

### 6.20.14.5 TASKS\_DISABLE

Address offset: 0x010

Disable RADIO

| Bit number       | 31 30 29 28 27 26 25 24 23 22 21 20 19 18 17 16 15 14 13 12 11 10 9 8 7 6 5 4 3 2 1 0 |          |       |               |  |  |  |  |  |  |  |  |  |  |  |  |  |  |  |  |  |  |  |  |  |  |  |  |  |  |  |
|------------------|---|----------|-------|---------------|--|--|--|--|--|--|--|--|--|--|--|--|--|--|--|--|--|--|--|--|--|--|--|--|--|--|--|
| ID               | A   |          |       |               |  |  |  |  |  |  |  |  |  |  |  |  |  |  |  |  |  |  |  |  |  |  |  |  |  |  |  |
| Reset 0x00000000 | 0                       |          |       |               |  |  |  |  |  |  |  |  |  |  |  |  |  |  |  |  |  |  |  |  |  |  |  |  |  |  |  |
| ID               | Acce Field  | Value ID | Value | Description   |  |  |  |  |  |  |  |  |  |  |  |  |  |  |  |  |  |  |  |  |  |  |  |  |  |  |  |
| A                | W TASKS_DISABLE   |          |       | Disable RADIO |  |  |  |  |  |  |  |  |  |  |  |  |  |  |  |  |  |  |  |  |  |  |  |  |  |  |  |
|                  |   | Trigger  | 1     | Trigger task  |  |  |  |  |  |  |  |  |  |  |  |  |  |  |  |  |  |  |  |  |  |  |  |  |  |  |  |

### 6.20.14.6 TASKS\_RSSISTART

Address offset: 0x014

Start the RSSI and take one single sample of the receive signal strength

| Bit number       | 31 30 29 28 27 26 25 24 23 22 21 20 19 18 17 16 15 14 13 12 11 10 9 8 7 6 5 4 3 2 1 0 |          |       |  |  |  |  |  |  |  |  |  |  |  |  |  |  |  |  |  |  |  |  |  |  |  |  |  |  |  |  |
|------------------|---|----------|-------|--|--|--|--|--|--|--|--|--|--|--|--|--|--|--|--|--|--|--|--|--|--|--|--|--|--|--|--|
| ID               | A   |          |       |  |  |  |  |  |  |  |  |  |  |  |  |  |  |  |  |  |  |  |  |  |  |  |  |  |  |  |  |
| Reset 0x00000000 | 0                       |          |       |  |  |  |  |  |  |  |  |  |  |  |  |  |  |  |  |  |  |  |  |  |  |  |  |  |  |  |  |
| ID               | Acce Field  | Value ID | Value | Description  |  |  |  |  |  |  |  |  |  |  |  |  |  |  |  |  |  |  |  |  |  |  |  |  |  |  |  |
| A                | W TASKS_RSSISTART   |          |       | Start the RSSI and take one single sample of the receive signal strength |  |  |  |  |  |  |  |  |  |  |  |  |  |  |  |  |  |  |  |  |  |  |  |  |  |  |  |
|                  |   | Trigger  | 1     | Trigger task   |  |  |  |  |  |  |  |  |  |  |  |  |  |  |  |  |  |  |  |  |  |  |  |  |  |  |  |

### 6.20.14.7 TASKS\_RSSISTOP

Address offset: 0x018

Stop the RSSI measurement

| Bit number       | 31 30 29 28 27 26 25 24 23 22 21 20 19 18 17 16 15 14 13 12 11 10 9 8 7 6 5 4 3 2 1 0 |          |       |                           |  |  |  |  |  |  |  |  |  |  |  |  |  |  |  |  |  |  |  |  |  |  |  |  |  |  |  |
|------------------|---|----------|-------|---------------------------|--|--|--|--|--|--|--|--|--|--|--|--|--|--|--|--|--|--|--|--|--|--|--|--|--|--|--|
| ID               | A   |          |       |                           |  |  |  |  |  |  |  |  |  |  |  |  |  |  |  |  |  |  |  |  |  |  |  |  |  |  |  |
| Reset 0x00000000 | 0                       |          |       |                           |  |  |  |  |  |  |  |  |  |  |  |  |  |  |  |  |  |  |  |  |  |  |  |  |  |  |  |
| ID               | Acce Field  | Value ID | Value | Description               |  |  |  |  |  |  |  |  |  |  |  |  |  |  |  |  |  |  |  |  |  |  |  |  |  |  |  |
| A                | W TASKS_RSSISTOP  |          |       | Stop the RSSI measurement |  |  |  |  |  |  |  |  |  |  |  |  |  |  |  |  |  |  |  |  |  |  |  |  |  |  |  |
|                  |   | Trigger  | 1     | Trigger task              |  |  |  |  |  |  |  |  |  |  |  |  |  |  |  |  |  |  |  |  |  |  |  |  |  |  |  |

### 6.20.14.8 TASKS\_BCSTART

Address offset: 0x01C

Start the bit counter

| Bit number       | 31  | 30       | 29    | 28                    | 27 | 26 | 25 | 24 | 23 | 22 | 21 | 20 | 19 | 18 | 17 | 16 | 15 | 14 | 13 | 12 | 11 | 10 | 9 | 8 | 7 | 6 | 5 | 4 | 3 | 2 | 1 | 0 |
|------------------|---|----------|-------|-----------------------|----|----|----|----|----|----|----|----|----|----|----|----|----|----|----|----|----|----|---|---|---|---|---|---|---|---|---|---|
| ID               |   |          |       |                       |    |    |    |    |    |    |    |    |    |    |    |    |    |    |    |    |    |    |   |   |   |   |   |   |   |   |   | A |
| Reset 0x00000000 | 0 |          |       |                       |    |    |    |    |    |    |    |    |    |    |    |    |    |    |    |    |    |    |   |   |   |   |   |   |   |   |   |   |
| ID               | Acce Field  | Value ID | Value | Description           |    |    |    |    |    |    |    |    |    |    |    |    |    |    |    |    |    |    |   |   |   |   |   |   |   |   |   |   |
| A                | W TASKS_BCSTART   |          |       | Start the bit counter |    |    |    |    |    |    |    |    |    |    |    |    |    |    |    |    |    |    |   |   |   |   |   |   |   |   |   |   |
|                  |   | Trigger  | 1     | Trigger task          |    |    |    |    |    |    |    |    |    |    |    |    |    |    |    |    |    |    |   |   |   |   |   |   |   |   |   |   |

### 6.20.14.9 TASKS\_BCSTOP

Address offset: 0x020

Stop the bit counter

| Bit number       | 31  | 30       | 29    | 28                   | 27 | 26 | 25 | 24 | 23 | 22 | 21 | 20 | 19 | 18 | 17 | 16 | 15 | 14 | 13 | 12 | 11 | 10 | 9 | 8 | 7 | 6 | 5 | 4 | 3 | 2 | 1 | 0 |
|------------------|---|----------|-------|----------------------|----|----|----|----|----|----|----|----|----|----|----|----|----|----|----|----|----|----|---|---|---|---|---|---|---|---|---|---|
| ID               |   |          |       |                      |    |    |    |    |    |    |    |    |    |    |    |    |    |    |    |    |    |    |   |   |   |   |   |   |   |   |   | A |
| Reset 0x00000000 | 0 |          |       |                      |    |    |    |    |    |    |    |    |    |    |    |    |    |    |    |    |    |    |   |   |   |   |   |   |   |   |   |   |
| ID               | Acce Field  | Value ID | Value | Description          |    |    |    |    |    |    |    |    |    |    |    |    |    |    |    |    |    |    |   |   |   |   |   |   |   |   |   |   |
| A                | W TASKS_BCSTOP  |          |       | Stop the bit counter |    |    |    |    |    |    |    |    |    |    |    |    |    |    |    |    |    |    |   |   |   |   |   |   |   |   |   |   |
|                  |   | Trigger  | 1     | Trigger task         |    |    |    |    |    |    |    |    |    |    |    |    |    |    |    |    |    |    |   |   |   |   |   |   |   |   |   |   |

### 6.20.14.10 TASKS\_EDSTART

Address offset: 0x024

Start the energy detect measurement used in IEEE 802.15.4 mode

| Bit number       | 31  | 30       | 29    | 28   | 27 | 26 | 25 | 24 | 23 | 22 | 21 | 20 | 19 | 18 | 17 | 16 | 15 | 14 | 13 | 12 | 11 | 10 | 9 | 8 | 7 | 6 | 5 | 4 | 3 | 2 | 1 | 0 |
|------------------|---|----------|-------|--|----|----|----|----|----|----|----|----|----|----|----|----|----|----|----|----|----|----|---|---|---|---|---|---|---|---|---|---|
| ID               |   |          |       |  |    |    |    |    |    |    |    |    |    |    |    |    |    |    |    |    |    |    |   |   |   |   |   |   |   |   |   | A |
| Reset 0x00000000 | 0 |          |       |  |    |    |    |    |    |    |    |    |    |    |    |    |    |    |    |    |    |    |   |   |   |   |   |   |   |   |   |   |
| ID               | Acce Field  | Value ID | Value | Description  |    |    |    |    |    |    |    |    |    |    |    |    |    |    |    |    |    |    |   |   |   |   |   |   |   |   |   |   |
| A                | W TASKS_EDSTART   |          |       | Start the energy detect measurement used in IEEE 802.15.4 mode |    |    |    |    |    |    |    |    |    |    |    |    |    |    |    |    |    |    |   |   |   |   |   |   |   |   |   |   |
|                  |   | Trigger  | 1     | Trigger task   |    |    |    |    |    |    |    |    |    |    |    |    |    |    |    |    |    |    |   |   |   |   |   |   |   |   |   |   |

### 6.20.14.11 TASKS\_EDSTOP

Address offset: 0x028

Stop the energy detect measurement

| Bit number       | 31  | 30       | 29    | 28                                 | 27 | 26 | 25 | 24 | 23 | 22 | 21 | 20 | 19 | 18 | 17 | 16 | 15 | 14 | 13 | 12 | 11 | 10 | 9 | 8 | 7 | 6 | 5 | 4 | 3 | 2 | 1 | 0 |
|------------------|---|----------|-------|------------------------------------|----|----|----|----|----|----|----|----|----|----|----|----|----|----|----|----|----|----|---|---|---|---|---|---|---|---|---|---|
| ID               |   |          |       |                                    |    |    |    |    |    |    |    |    |    |    |    |    |    |    |    |    |    |    |   |   |   |   |   |   |   |   |   | A |
| Reset 0x00000000 | 0 |          |       |                                    |    |    |    |    |    |    |    |    |    |    |    |    |    |    |    |    |    |    |   |   |   |   |   |   |   |   |   |   |
| ID               | Acce Field  | Value ID | Value | Description                        |    |    |    |    |    |    |    |    |    |    |    |    |    |    |    |    |    |    |   |   |   |   |   |   |   |   |   |   |
| A                | W TASKS_EDSTOP  |          |       | Stop the energy detect measurement |    |    |    |    |    |    |    |    |    |    |    |    |    |    |    |    |    |    |   |   |   |   |   |   |   |   |   |   |
|                  |   | Trigger  | 1     | Trigger task                       |    |    |    |    |    |    |    |    |    |    |    |    |    |    |    |    |    |    |   |   |   |   |   |   |   |   |   |   |



## 6.20.14.12 TASKS\_CCSTART

Address offset: 0x02C

Start the clear channel assessment used in IEEE 802.15.4 mode

| Bit number       | 31  | 30            | 29    | 28  | 27 | 26 | 25 | 24 | 23 | 22 | 21 | 20 | 19 | 18 | 17 | 16 | 15 | 14 | 13 | 12 | 11 | 10 | 9 | 8 | 7 | 6 | 5 | 4 | 3 | 2 | 1 | 0 |
|------------------|---|---------------|-------|---|----|----|----|----|----|----|----|----|----|----|----|----|----|----|----|----|----|----|---|---|---|---|---|---|---|---|---|---|
| ID               |   |               |       |   |    |    |    |    |    |    |    |    |    |    |    |    |    |    |    |    |    |    |   |   |   |   |   |   |   |   |   | A |
| Reset 0x00000000 | 0 |               |       |   |    |    |    |    |    |    |    |    |    |    |    |    |    |    |    |    |    |    |   |   |   |   |   |   |   |   |   |   |
| ID               | Acce Field  | Value ID      | Value | Description   |    |    |    |    |    |    |    |    |    |    |    |    |    |    |    |    |    |    |   |   |   |   |   |   |   |   |   |   |
| A                | W   | TASKS_CCSTART |       | Start the clear channel assessment used in IEEE 802.15.4 mode |    |    |    |    |    |    |    |    |    |    |    |    |    |    |    |    |    |    |   |   |   |   |   |   |   |   |   |   |
|                  |   | Trigger       | 1     | Trigger task  |    |    |    |    |    |    |    |    |    |    |    |    |    |    |    |    |    |    |   |   |   |   |   |   |   |   |   |   |

## 6.20.14.13 TASKS\_CCSTOP

Address offset: 0x030

Stop the clear channel assessment

| Bit number       | 31  | 30           | 29    | 28                                | 27 | 26 | 25 | 24 | 23 | 22 | 21 | 20 | 19 | 18 | 17 | 16 | 15 | 14 | 13 | 12 | 11 | 10 | 9 | 8 | 7 | 6 | 5 | 4 | 3 | 2 | 1 | 0 |
|------------------|---|--------------|-------|-----------------------------------|----|----|----|----|----|----|----|----|----|----|----|----|----|----|----|----|----|----|---|---|---|---|---|---|---|---|---|---|
| ID               |   |              |       |                                   |    |    |    |    |    |    |    |    |    |    |    |    |    |    |    |    |    |    |   |   |   |   |   |   |   |   |   | A |
| Reset 0x00000000 | 0 |              |       |                                   |    |    |    |    |    |    |    |    |    |    |    |    |    |    |    |    |    |    |   |   |   |   |   |   |   |   |   |   |
| ID               | Acce Field  | Value ID     | Value | Description                       |    |    |    |    |    |    |    |    |    |    |    |    |    |    |    |    |    |    |   |   |   |   |   |   |   |   |   |   |
| A                | W   | TASKS_CCSTOP |       | Stop the clear channel assessment |    |    |    |    |    |    |    |    |    |    |    |    |    |    |    |    |    |    |   |   |   |   |   |   |   |   |   |   |
|                  |   | Trigger      | 1     | Trigger task                      |    |    |    |    |    |    |    |    |    |    |    |    |    |    |    |    |    |    |   |   |   |   |   |   |   |   |   |   |

## 6.20.14.14 EVENTS\_READY

Address offset: 0x100

RADIO has ramped up and is ready to be started

| Bit number       | 31  | 30           | 29    | 28   | 27 | 26 | 25 | 24 | 23 | 22 | 21 | 20 | 19 | 18 | 17 | 16 | 15 | 14 | 13 | 12 | 11 | 10 | 9 | 8 | 7 | 6 | 5 | 4 | 3 | 2 | 1 | 0 |
|------------------|---|--------------|-------|--|----|----|----|----|----|----|----|----|----|----|----|----|----|----|----|----|----|----|---|---|---|---|---|---|---|---|---|---|
| ID               |   |              |       |  |    |    |    |    |    |    |    |    |    |    |    |    |    |    |    |    |    |    |   |   |   |   |   |   |   |   |   | A |
| Reset 0x00000000 | 0 |              |       |  |    |    |    |    |    |    |    |    |    |    |    |    |    |    |    |    |    |    |   |   |   |   |   |   |   |   |   |   |
| ID               | Acce Field  | Value ID     | Value | Description                                    |    |    |    |    |    |    |    |    |    |    |    |    |    |    |    |    |    |    |   |   |   |   |   |   |   |   |   |   |
| A                | RW  | EVENTS_READY |       | RADIO has ramped up and is ready to be started |    |    |    |    |    |    |    |    |    |    |    |    |    |    |    |    |    |    |   |   |   |   |   |   |   |   |   |   |
|                  |   | NotGenerated | 0     | Event not generated                            |    |    |    |    |    |    |    |    |    |    |    |    |    |    |    |    |    |    |   |   |   |   |   |   |   |   |   |   |
|                  |   | Generated    | 1     | Event generated                                |    |    |    |    |    |    |    |    |    |    |    |    |    |    |    |    |    |    |   |   |   |   |   |   |   |   |   |   |

## 6.20.14.15 EVENTS\_ADDRESS

Address offset: 0x104

Address sent or received

| Bit number       | 31  | 30             | 29    | 28                       | 27 | 26 | 25 | 24 | 23 | 22 | 21 | 20 | 19 | 18 | 17 | 16 | 15 | 14 | 13 | 12 | 11 | 10 | 9 | 8 | 7 | 6 | 5 | 4 | 3 | 2 | 1 | 0 |
|------------------|---|----------------|-------|--------------------------|----|----|----|----|----|----|----|----|----|----|----|----|----|----|----|----|----|----|---|---|---|---|---|---|---|---|---|---|
| ID               |   |                |       |                          |    |    |    |    |    |    |    |    |    |    |    |    |    |    |    |    |    |    |   |   |   |   |   |   |   |   |   | A |
| Reset 0x00000000 | 0 |                |       |                          |    |    |    |    |    |    |    |    |    |    |    |    |    |    |    |    |    |    |   |   |   |   |   |   |   |   |   |   |
| ID               | Acce Field  | Value ID       | Value | Description              |    |    |    |    |    |    |    |    |    |    |    |    |    |    |    |    |    |    |   |   |   |   |   |   |   |   |   |   |
| A                | RW  | EVENTS_ADDRESS |       | Address sent or received |    |    |    |    |    |    |    |    |    |    |    |    |    |    |    |    |    |    |   |   |   |   |   |   |   |   |   |   |
|                  |   | NotGenerated   | 0     | Event not generated      |    |    |    |    |    |    |    |    |    |    |    |    |    |    |    |    |    |    |   |   |   |   |   |   |   |   |   |   |
|                  |   | Generated      | 1     | Event generated          |    |    |    |    |    |    |    |    |    |    |    |    |    |    |    |    |    |    |   |   |   |   |   |   |   |   |   |   |

### 6.20.14.16 EVENTS\_PAYLOAD

Address offset: 0x108

Packet payload sent or received

| Bit number       | 31 30 29 28 27 26 25 24 23 22 21 20 19 18 17 16 15 14 13 12 11 10 9 8 7 6 5 4 3 2 1 0 |                |       |                                 |  |  |  |  |  |  |  |  |  |  |  |  |  |  |  |  |  |  |  |  |  |  |  |  |  |  |  |
|------------------|---|----------------|-------|---------------------------------|--|--|--|--|--|--|--|--|--|--|--|--|--|--|--|--|--|--|--|--|--|--|--|--|--|--|--|
| ID               | A   |                |       |                                 |  |  |  |  |  |  |  |  |  |  |  |  |  |  |  |  |  |  |  |  |  |  |  |  |  |  |  |
| Reset 0x00000000 | 0             |                |       |                                 |  |  |  |  |  |  |  |  |  |  |  |  |  |  |  |  |  |  |  |  |  |  |  |  |  |  |  |
| ID               | Acce Field  | Value ID       | Value | Description                     |  |  |  |  |  |  |  |  |  |  |  |  |  |  |  |  |  |  |  |  |  |  |  |  |  |  |  |
| A                | RW  | EVENTS_PAYLOAD |       | Packet payload sent or received |  |  |  |  |  |  |  |  |  |  |  |  |  |  |  |  |  |  |  |  |  |  |  |  |  |  |  |
|                  |   | NotGenerated   | 0     | Event not generated             |  |  |  |  |  |  |  |  |  |  |  |  |  |  |  |  |  |  |  |  |  |  |  |  |  |  |  |
|                  |   | Generated      | 1     | Event generated                 |  |  |  |  |  |  |  |  |  |  |  |  |  |  |  |  |  |  |  |  |  |  |  |  |  |  |  |

### 6.20.14.17 EVENTS\_END

Address offset: 0x10C

Packet sent or received

| Bit number       | 31 30 29 28 27 26 25 24 23 22 21 20 19 18 17 16 15 14 13 12 11 10 9 8 7 6 5 4 3 2 1 0 |              |       |                         |  |  |  |  |  |  |  |  |  |  |  |  |  |  |  |  |  |  |  |  |  |  |  |  |  |  |  |
|------------------|---|--------------|-------|-------------------------|--|--|--|--|--|--|--|--|--|--|--|--|--|--|--|--|--|--|--|--|--|--|--|--|--|--|--|
| ID               | A   |              |       |                         |  |  |  |  |  |  |  |  |  |  |  |  |  |  |  |  |  |  |  |  |  |  |  |  |  |  |  |
| Reset 0x00000000 | 0             |              |       |                         |  |  |  |  |  |  |  |  |  |  |  |  |  |  |  |  |  |  |  |  |  |  |  |  |  |  |  |
| ID               | Acce Field  | Value ID     | Value | Description             |  |  |  |  |  |  |  |  |  |  |  |  |  |  |  |  |  |  |  |  |  |  |  |  |  |  |  |
| A                | RW  | EVENTS_END   |       | Packet sent or received |  |  |  |  |  |  |  |  |  |  |  |  |  |  |  |  |  |  |  |  |  |  |  |  |  |  |  |
|                  |   | NotGenerated | 0     | Event not generated     |  |  |  |  |  |  |  |  |  |  |  |  |  |  |  |  |  |  |  |  |  |  |  |  |  |  |  |
|                  |   | Generated    | 1     | Event generated         |  |  |  |  |  |  |  |  |  |  |  |  |  |  |  |  |  |  |  |  |  |  |  |  |  |  |  |

### 6.20.14.18 EVENTS\_DISABLED

Address offset: 0x110

RADIO has been disabled

| Bit number       | 31 30 29 28 27 26 25 24 23 22 21 20 19 18 17 16 15 14 13 12 11 10 9 8 7 6 5 4 3 2 1 0 |                 |       |                         |  |  |  |  |  |  |  |  |  |  |  |  |  |  |  |  |  |  |  |  |  |  |  |  |  |  |  |
|------------------|---|-----------------|-------|-------------------------|--|--|--|--|--|--|--|--|--|--|--|--|--|--|--|--|--|--|--|--|--|--|--|--|--|--|--|
| ID               | A   |                 |       |                         |  |  |  |  |  |  |  |  |  |  |  |  |  |  |  |  |  |  |  |  |  |  |  |  |  |  |  |
| Reset 0x00000000 | 0             |                 |       |                         |  |  |  |  |  |  |  |  |  |  |  |  |  |  |  |  |  |  |  |  |  |  |  |  |  |  |  |
| ID               | Acce Field  | Value ID        | Value | Description             |  |  |  |  |  |  |  |  |  |  |  |  |  |  |  |  |  |  |  |  |  |  |  |  |  |  |  |
| A                | RW  | EVENTS_DISABLED |       | RADIO has been disabled |  |  |  |  |  |  |  |  |  |  |  |  |  |  |  |  |  |  |  |  |  |  |  |  |  |  |  |
|                  |   | NotGenerated    | 0     | Event not generated     |  |  |  |  |  |  |  |  |  |  |  |  |  |  |  |  |  |  |  |  |  |  |  |  |  |  |  |
|                  |   | Generated       | 1     | Event generated         |  |  |  |  |  |  |  |  |  |  |  |  |  |  |  |  |  |  |  |  |  |  |  |  |  |  |  |

### 6.20.14.19 EVENTS\_DEVMATCH

Address offset: 0x114

A device address match occurred on the last received packet

| Bit number       | 31  | 30              | 29    | 28  | 27 | 26 | 25 | 24 | 23 | 22 | 21 | 20 | 19 | 18 | 17 | 16 | 15 | 14 | 13 | 12 | 11 | 10 | 9 | 8 | 7 | 6 | 5 | 4 | 3 | 2 | 1 | 0 |
|------------------|---|-----------------|-------|---|----|----|----|----|----|----|----|----|----|----|----|----|----|----|----|----|----|----|---|---|---|---|---|---|---|---|---|---|
| ID               |   |                 |       |   |    |    |    |    |    |    |    |    |    |    |    |    |    |    |    |    |    |    |   |   |   |   |   |   |   |   |   | A |
| Reset 0x00000000 | 0 |                 |       |   |    |    |    |    |    |    |    |    |    |    |    |    |    |    |    |    |    |    |   |   |   |   |   |   |   |   |   |   |
| ID               | Acce Field  | Value ID        | Value | Description   |    |    |    |    |    |    |    |    |    |    |    |    |    |    |    |    |    |    |   |   |   |   |   |   |   |   |   |   |
| A                | RW  | EVENTS_DEVMATCH |       | A device address match occurred on the last received packet |    |    |    |    |    |    |    |    |    |    |    |    |    |    |    |    |    |    |   |   |   |   |   |   |   |   |   |   |
|                  |   | NotGenerated    | 0     | Event not generated   |    |    |    |    |    |    |    |    |    |    |    |    |    |    |    |    |    |    |   |   |   |   |   |   |   |   |   |   |
|                  |   | Generated       | 1     | Event generated   |    |    |    |    |    |    |    |    |    |    |    |    |    |    |    |    |    |    |   |   |   |   |   |   |   |   |   |   |

### 6.20.14.20 EVENTS\_DEVMISS

Address offset: 0x118

No device address match occurred on the last received packet

| Bit number       | 31  | 30             | 29    | 28   | 27 | 26 | 25 | 24 | 23 | 22 | 21 | 20 | 19 | 18 | 17 | 16 | 15 | 14 | 13 | 12 | 11 | 10 | 9 | 8 | 7 | 6 | 5 | 4 | 3 | 2 | 1 | 0 |
|------------------|---|----------------|-------|--|----|----|----|----|----|----|----|----|----|----|----|----|----|----|----|----|----|----|---|---|---|---|---|---|---|---|---|---|
| ID               |   |                |       |  |    |    |    |    |    |    |    |    |    |    |    |    |    |    |    |    |    |    |   |   |   |   |   |   |   |   |   | A |
| Reset 0x00000000 | 0 |                |       |  |    |    |    |    |    |    |    |    |    |    |    |    |    |    |    |    |    |    |   |   |   |   |   |   |   |   |   |   |
| ID               | Acce Field  | Value ID       | Value | Description  |    |    |    |    |    |    |    |    |    |    |    |    |    |    |    |    |    |    |   |   |   |   |   |   |   |   |   |   |
| A                | RW  | EVENTS_DEVMISS |       | No device address match occurred on the last received packet |    |    |    |    |    |    |    |    |    |    |    |    |    |    |    |    |    |    |   |   |   |   |   |   |   |   |   |   |
|                  |   | NotGenerated   | 0     | Event not generated  |    |    |    |    |    |    |    |    |    |    |    |    |    |    |    |    |    |    |   |   |   |   |   |   |   |   |   |   |
|                  |   | Generated      | 1     | Event generated  |    |    |    |    |    |    |    |    |    |    |    |    |    |    |    |    |    |    |   |   |   |   |   |   |   |   |   |   |

### 6.20.14.21 EVENTS\_RSSIEND

Address offset: 0x11C

Sampling of receive signal strength complete

A new RSSI sample is ready for readout from the RADIO.RSSISAMPLE register

| Bit number       | 31  | 30             | 29    | 28  | 27 | 26 | 25 | 24 | 23 | 22 | 21 | 20 | 19 | 18 | 17 | 16 | 15 | 14 | 13 | 12 | 11 | 10 | 9 | 8 | 7 | 6 | 5 | 4 | 3 | 2 | 1 | 0 |
|------------------|---|----------------|-------|---|----|----|----|----|----|----|----|----|----|----|----|----|----|----|----|----|----|----|---|---|---|---|---|---|---|---|---|---|
| ID               |   |                |       |   |    |    |    |    |    |    |    |    |    |    |    |    |    |    |    |    |    |    |   |   |   |   |   |   |   |   |   | A |
| Reset 0x00000000 | 0 |                |       |   |    |    |    |    |    |    |    |    |    |    |    |    |    |    |    |    |    |    |   |   |   |   |   |   |   |   |   |   |
| ID               | Acce Field  | Value ID       | Value | Description   |    |    |    |    |    |    |    |    |    |    |    |    |    |    |    |    |    |    |   |   |   |   |   |   |   |   |   |   |
| A                | RW  | EVENTS_RSSIEND |       | Sampling of receive signal strength complete                              |    |    |    |    |    |    |    |    |    |    |    |    |    |    |    |    |    |    |   |   |   |   |   |   |   |   |   |   |
|                  |   |                |       | A new RSSI sample is ready for readout from the RADIO.RSSISAMPLE register |    |    |    |    |    |    |    |    |    |    |    |    |    |    |    |    |    |    |   |   |   |   |   |   |   |   |   |   |
|                  |   | NotGenerated   | 0     | Event not generated   |    |    |    |    |    |    |    |    |    |    |    |    |    |    |    |    |    |    |   |   |   |   |   |   |   |   |   |   |
|                  |   | Generated      | 1     | Event generated   |    |    |    |    |    |    |    |    |    |    |    |    |    |    |    |    |    |    |   |   |   |   |   |   |   |   |   |   |

### 6.20.14.22 EVENTS\_BCMATCH

Address offset: 0x128

Bit counter reached bit count value

Bit counter value is specified in the RADIO.BCC register

| Bit number       | 31  | 30             | 29    | 28  | 27 | 26 | 25 | 24 | 23 | 22 | 21 | 20 | 19 | 18 | 17 | 16 | 15 | 14 | 13 | 12 | 11 | 10 | 9 | 8 | 7 | 6 | 5 | 4 | 3 | 2 | 1 | 0 |
|------------------|---|----------------|-------|---|----|----|----|----|----|----|----|----|----|----|----|----|----|----|----|----|----|----|---|---|---|---|---|---|---|---|---|---|
| ID               |   |                |       |   |    |    |    |    |    |    |    |    |    |    |    |    |    |    |    |    |    |    |   |   |   |   |   |   |   |   |   | A |
| Reset 0x00000000 | 0 |                |       |   |    |    |    |    |    |    |    |    |    |    |    |    |    |    |    |    |    |    |   |   |   |   |   |   |   |   |   |   |
| ID               | Acce Field  | Value ID       | Value | Description   |    |    |    |    |    |    |    |    |    |    |    |    |    |    |    |    |    |    |   |   |   |   |   |   |   |   |   |   |
| A                | RW  | EVENTS_BCMATCH |       | Bit counter reached bit count value   |    |    |    |    |    |    |    |    |    |    |    |    |    |    |    |    |    |    |   |   |   |   |   |   |   |   |   |   |
|                  |   | NotGenerated   | 0     | Bit counter value is specified in the RADIO.BCC register<br>Event not generated |    |    |    |    |    |    |    |    |    |    |    |    |    |    |    |    |    |    |   |   |   |   |   |   |   |   |   |   |
|                  |   | Generated      | 1     | Event generated   |    |    |    |    |    |    |    |    |    |    |    |    |    |    |    |    |    |    |   |   |   |   |   |   |   |   |   |   |

### 6.20.14.23 EVENTS\_CRCOK

Address offset: 0x130

Packet received with CRC ok

| Bit number       | 31  | 30           | 29    | 28                          | 27 | 26 | 25 | 24 | 23 | 22 | 21 | 20 | 19 | 18 | 17 | 16 | 15 | 14 | 13 | 12 | 11 | 10 | 9 | 8 | 7 | 6 | 5 | 4 | 3 | 2 | 1 | 0 |
|------------------|---|--------------|-------|-----------------------------|----|----|----|----|----|----|----|----|----|----|----|----|----|----|----|----|----|----|---|---|---|---|---|---|---|---|---|---|
| ID               |   |              |       |                             |    |    |    |    |    |    |    |    |    |    |    |    |    |    |    |    |    |    |   |   |   |   |   |   |   |   |   | A |
| Reset 0x00000000 | 0 |              |       |                             |    |    |    |    |    |    |    |    |    |    |    |    |    |    |    |    |    |    |   |   |   |   |   |   |   |   |   |   |
| ID               | Acce Field  | Value ID     | Value | Description                 |    |    |    |    |    |    |    |    |    |    |    |    |    |    |    |    |    |    |   |   |   |   |   |   |   |   |   |   |
| A                | RW  | EVENTS_CRCOK |       | Packet received with CRC ok |    |    |    |    |    |    |    |    |    |    |    |    |    |    |    |    |    |    |   |   |   |   |   |   |   |   |   |   |
|                  |   | NotGenerated | 0     | Event not generated         |    |    |    |    |    |    |    |    |    |    |    |    |    |    |    |    |    |    |   |   |   |   |   |   |   |   |   |   |
|                  |   | Generated    | 1     | Event generated             |    |    |    |    |    |    |    |    |    |    |    |    |    |    |    |    |    |    |   |   |   |   |   |   |   |   |   |   |

### 6.20.14.24 EVENTS\_CRCERROR

Address offset: 0x134

Packet received with CRC error

| Bit number       | 31  | 30              | 29    | 28                             | 27 | 26 | 25 | 24 | 23 | 22 | 21 | 20 | 19 | 18 | 17 | 16 | 15 | 14 | 13 | 12 | 11 | 10 | 9 | 8 | 7 | 6 | 5 | 4 | 3 | 2 | 1 | 0 |
|------------------|---|-----------------|-------|--------------------------------|----|----|----|----|----|----|----|----|----|----|----|----|----|----|----|----|----|----|---|---|---|---|---|---|---|---|---|---|
| ID               |   |                 |       |                                |    |    |    |    |    |    |    |    |    |    |    |    |    |    |    |    |    |    |   |   |   |   |   |   |   |   |   | A |
| Reset 0x00000000 | 0 |                 |       |                                |    |    |    |    |    |    |    |    |    |    |    |    |    |    |    |    |    |    |   |   |   |   |   |   |   |   |   |   |
| ID               | Acce Field  | Value ID        | Value | Description                    |    |    |    |    |    |    |    |    |    |    |    |    |    |    |    |    |    |    |   |   |   |   |   |   |   |   |   |   |
| A                | RW  | EVENTS_CRCERROR |       | Packet received with CRC error |    |    |    |    |    |    |    |    |    |    |    |    |    |    |    |    |    |    |   |   |   |   |   |   |   |   |   |   |
|                  |   | NotGenerated    | 0     | Event not generated            |    |    |    |    |    |    |    |    |    |    |    |    |    |    |    |    |    |    |   |   |   |   |   |   |   |   |   |   |
|                  |   | Generated       | 1     | Event generated                |    |    |    |    |    |    |    |    |    |    |    |    |    |    |    |    |    |    |   |   |   |   |   |   |   |   |   |   |

### 6.20.14.25 EVENTS\_FRAMESTART

Address offset: 0x138

IEEE 802.15.4 length field received

| Bit number       | 31  | 30                | 29    | 28                                  | 27 | 26 | 25 | 24 | 23 | 22 | 21 | 20 | 19 | 18 | 17 | 16 | 15 | 14 | 13 | 12 | 11 | 10 | 9 | 8 | 7 | 6 | 5 | 4 | 3 | 2 | 1 | 0 |
|------------------|---|-------------------|-------|-------------------------------------|----|----|----|----|----|----|----|----|----|----|----|----|----|----|----|----|----|----|---|---|---|---|---|---|---|---|---|---|
| ID               |   |                   |       |                                     |    |    |    |    |    |    |    |    |    |    |    |    |    |    |    |    |    |    |   |   |   |   |   |   |   |   |   | A |
| Reset 0x00000000 | 0 |                   |       |                                     |    |    |    |    |    |    |    |    |    |    |    |    |    |    |    |    |    |    |   |   |   |   |   |   |   |   |   |   |
| ID               | Acce Field  | Value ID          | Value | Description                         |    |    |    |    |    |    |    |    |    |    |    |    |    |    |    |    |    |    |   |   |   |   |   |   |   |   |   |   |
| A                | RW  | EVENTS_FRAMESTART |       | IEEE 802.15.4 length field received |    |    |    |    |    |    |    |    |    |    |    |    |    |    |    |    |    |    |   |   |   |   |   |   |   |   |   |   |
|                  |   | NotGenerated      | 0     | Event not generated                 |    |    |    |    |    |    |    |    |    |    |    |    |    |    |    |    |    |    |   |   |   |   |   |   |   |   |   |   |
|                  |   | Generated         | 1     | Event generated                     |    |    |    |    |    |    |    |    |    |    |    |    |    |    |    |    |    |    |   |   |   |   |   |   |   |   |   |   |

### 6.20.14.26 EVENTS\_EDEND

Address offset: 0x13C

Sampling of energy detection complete. A new ED sample is ready for readout from the RADIO.EDSAMPLE register.

| Bit number              | 31 30 29 28 27 26 25 24 23 22 21 20 19 18 17 16 15 14 13 12 11 10 9 8 7 6 5 4 3 2 1 0 |              |       |   |  |  |  |  |  |  |  |  |  |  |  |  |  |  |  |  |  |  |  |  |  |  |  |  |  |  |  |
|-------------------------|---|--------------|-------|---|--|--|--|--|--|--|--|--|--|--|--|--|--|--|--|--|--|--|--|--|--|--|--|--|--|--|--|
| ID                      | A   |              |       |   |  |  |  |  |  |  |  |  |  |  |  |  |  |  |  |  |  |  |  |  |  |  |  |  |  |  |  |
| <b>Reset 0x00000000</b> | <b>0 0</b>                |              |       |   |  |  |  |  |  |  |  |  |  |  |  |  |  |  |  |  |  |  |  |  |  |  |  |  |  |  |  |
| ID                      | Acce Field  | Value ID     | Value | Description   |  |  |  |  |  |  |  |  |  |  |  |  |  |  |  |  |  |  |  |  |  |  |  |  |  |  |  |
| A                       | RW  | EVENTS_EDEND |       | Sampling of energy detection complete. A new ED sample is ready for readout from the RADIO.EDSAMPLE register. |  |  |  |  |  |  |  |  |  |  |  |  |  |  |  |  |  |  |  |  |  |  |  |  |  |  |  |
|                         |   | NotGenerated | 0     | Event not generated   |  |  |  |  |  |  |  |  |  |  |  |  |  |  |  |  |  |  |  |  |  |  |  |  |  |  |  |
|                         |   | Generated    | 1     | Event generated   |  |  |  |  |  |  |  |  |  |  |  |  |  |  |  |  |  |  |  |  |  |  |  |  |  |  |  |

### 6.20.14.27 EVENTS\_EDSTOPPED

Address offset: 0x140

The sampling of energy detection has stopped

| Bit number              | 31 30 29 28 27 26 25 24 23 22 21 20 19 18 17 16 15 14 13 12 11 10 9 8 7 6 5 4 3 2 1 0 |                  |       |  |  |  |  |  |  |  |  |  |  |  |  |  |  |  |  |  |  |  |  |  |  |  |  |  |  |  |  |
|-------------------------|---|------------------|-------|--|--|--|--|--|--|--|--|--|--|--|--|--|--|--|--|--|--|--|--|--|--|--|--|--|--|--|--|
| ID                      | A   |                  |       |  |  |  |  |  |  |  |  |  |  |  |  |  |  |  |  |  |  |  |  |  |  |  |  |  |  |  |  |
| <b>Reset 0x00000000</b> | <b>0 0</b>                |                  |       |  |  |  |  |  |  |  |  |  |  |  |  |  |  |  |  |  |  |  |  |  |  |  |  |  |  |  |  |
| ID                      | Acce Field  | Value ID         | Value | Description                                  |  |  |  |  |  |  |  |  |  |  |  |  |  |  |  |  |  |  |  |  |  |  |  |  |  |  |  |
| A                       | RW  | EVENTS_EDSTOPPED |       | The sampling of energy detection has stopped |  |  |  |  |  |  |  |  |  |  |  |  |  |  |  |  |  |  |  |  |  |  |  |  |  |  |  |
|                         |   | NotGenerated     | 0     | Event not generated                          |  |  |  |  |  |  |  |  |  |  |  |  |  |  |  |  |  |  |  |  |  |  |  |  |  |  |  |
|                         |   | Generated        | 1     | Event generated                              |  |  |  |  |  |  |  |  |  |  |  |  |  |  |  |  |  |  |  |  |  |  |  |  |  |  |  |

### 6.20.14.28 EVENTS\_CCAIDLE

Address offset: 0x144

Wireless medium in idle - clear to send

| Bit number              | 31 30 29 28 27 26 25 24 23 22 21 20 19 18 17 16 15 14 13 12 11 10 9 8 7 6 5 4 3 2 1 0 |                |       |   |  |  |  |  |  |  |  |  |  |  |  |  |  |  |  |  |  |  |  |  |  |  |  |  |  |  |  |
|-------------------------|---|----------------|-------|---|--|--|--|--|--|--|--|--|--|--|--|--|--|--|--|--|--|--|--|--|--|--|--|--|--|--|--|
| ID                      | A   |                |       |   |  |  |  |  |  |  |  |  |  |  |  |  |  |  |  |  |  |  |  |  |  |  |  |  |  |  |  |
| <b>Reset 0x00000000</b> | <b>0 0</b>                |                |       |   |  |  |  |  |  |  |  |  |  |  |  |  |  |  |  |  |  |  |  |  |  |  |  |  |  |  |  |
| ID                      | Acce Field  | Value ID       | Value | Description                             |  |  |  |  |  |  |  |  |  |  |  |  |  |  |  |  |  |  |  |  |  |  |  |  |  |  |  |
| A                       | RW  | EVENTS_CCAIDLE |       | Wireless medium in idle - clear to send |  |  |  |  |  |  |  |  |  |  |  |  |  |  |  |  |  |  |  |  |  |  |  |  |  |  |  |
|                         |   | NotGenerated   | 0     | Event not generated                     |  |  |  |  |  |  |  |  |  |  |  |  |  |  |  |  |  |  |  |  |  |  |  |  |  |  |  |
|                         |   | Generated      | 1     | Event generated                         |  |  |  |  |  |  |  |  |  |  |  |  |  |  |  |  |  |  |  |  |  |  |  |  |  |  |  |

### 6.20.14.29 EVENTS\_CCABUSY

Address offset: 0x148

Wireless medium busy - do not send

| Bit number              | 31 30 29 28 27 26 25 24 23 22 21 20 19 18 17 16 15 14 13 12 11 10 9 8 7 6 5 4 3 2 1 0 |                |       |                                    |  |  |  |  |  |  |  |  |  |  |  |  |  |  |  |  |  |  |  |  |  |  |  |  |  |  |  |
|-------------------------|---|----------------|-------|------------------------------------|--|--|--|--|--|--|--|--|--|--|--|--|--|--|--|--|--|--|--|--|--|--|--|--|--|--|--|
| ID                      | A   |                |       |                                    |  |  |  |  |  |  |  |  |  |  |  |  |  |  |  |  |  |  |  |  |  |  |  |  |  |  |  |
| <b>Reset 0x00000000</b> | <b>0 0</b>                |                |       |                                    |  |  |  |  |  |  |  |  |  |  |  |  |  |  |  |  |  |  |  |  |  |  |  |  |  |  |  |
| ID                      | Acce Field  | Value ID       | Value | Description                        |  |  |  |  |  |  |  |  |  |  |  |  |  |  |  |  |  |  |  |  |  |  |  |  |  |  |  |
| A                       | RW  | EVENTS_CCABUSY |       | Wireless medium busy - do not send |  |  |  |  |  |  |  |  |  |  |  |  |  |  |  |  |  |  |  |  |  |  |  |  |  |  |  |
|                         |   | NotGenerated   | 0     | Event not generated                |  |  |  |  |  |  |  |  |  |  |  |  |  |  |  |  |  |  |  |  |  |  |  |  |  |  |  |
|                         |   | Generated      | 1     | Event generated                    |  |  |  |  |  |  |  |  |  |  |  |  |  |  |  |  |  |  |  |  |  |  |  |  |  |  |  |

### 6.20.14.30 EVENTS\_CCSTOPPED

Address offset: 0x14C

The CCA has stopped

| Bit number       | 31 30 29 28 27 26 25 24 23 22 21 20 19 18 17 16 15 14 13 12 11 10 9 8 7 6 5 4 3 2 1 0 |                  |       |                     |  |  |  |  |  |  |  |  |  |  |  |  |  |  |  |  |  |  |  |  |  |  |  |  |  |  |  |
|------------------|---|------------------|-------|---------------------|--|--|--|--|--|--|--|--|--|--|--|--|--|--|--|--|--|--|--|--|--|--|--|--|--|--|--|
| ID               | A   |                  |       |                     |  |  |  |  |  |  |  |  |  |  |  |  |  |  |  |  |  |  |  |  |  |  |  |  |  |  |  |
| Reset 0x00000000 | 0             |                  |       |                     |  |  |  |  |  |  |  |  |  |  |  |  |  |  |  |  |  |  |  |  |  |  |  |  |  |  |  |
| ID               | Acce Field  | Value ID         | Value | Description         |  |  |  |  |  |  |  |  |  |  |  |  |  |  |  |  |  |  |  |  |  |  |  |  |  |  |  |
| A                | RW  | EVENTS_CCSTOPPED |       | The CCA has stopped |  |  |  |  |  |  |  |  |  |  |  |  |  |  |  |  |  |  |  |  |  |  |  |  |  |  |  |
|                  |   | NotGenerated     | 0     | Event not generated |  |  |  |  |  |  |  |  |  |  |  |  |  |  |  |  |  |  |  |  |  |  |  |  |  |  |  |
|                  |   | Generated        | 1     | Event generated     |  |  |  |  |  |  |  |  |  |  |  |  |  |  |  |  |  |  |  |  |  |  |  |  |  |  |  |

### 6.20.14.31 EVENTS\_RATEBOOST

Address offset: 0x150

Ble\_LR CI field received, receive mode is changed from Ble\_LR125Kbit to Ble\_LR500Kbit.

Ble\_LR CI field received, receive mode is changed from Ble\_LR125Kbit to Ble\_LR500Kbit.

| Bit number       | 31 30 29 28 27 26 25 24 23 22 21 20 19 18 17 16 15 14 13 12 11 10 9 8 7 6 5 4 3 2 1 0 |                  |       |   |  |  |  |  |  |  |  |  |  |  |  |  |  |  |  |  |  |  |  |  |  |  |  |  |  |  |  |
|------------------|---|------------------|-------|---|--|--|--|--|--|--|--|--|--|--|--|--|--|--|--|--|--|--|--|--|--|--|--|--|--|--|--|
| ID               | A   |                  |       |   |  |  |  |  |  |  |  |  |  |  |  |  |  |  |  |  |  |  |  |  |  |  |  |  |  |  |  |
| Reset 0x00000000 | 0             |                  |       |   |  |  |  |  |  |  |  |  |  |  |  |  |  |  |  |  |  |  |  |  |  |  |  |  |  |  |  |
| ID               | Acce Field  | Value ID         | Value | Description   |  |  |  |  |  |  |  |  |  |  |  |  |  |  |  |  |  |  |  |  |  |  |  |  |  |  |  |
| A                | RW  | EVENTS_RATEBOOST |       | Ble_LR CI field received, receive mode is changed from Ble_LR125Kbit to Ble_LR500Kbit.                        |  |  |  |  |  |  |  |  |  |  |  |  |  |  |  |  |  |  |  |  |  |  |  |  |  |  |  |
|                  |   | NotGenerated     | 0     | Ble_LR CI field received, receive mode is changed from Ble_LR125Kbit to Ble_LR500Kbit.<br>Event not generated |  |  |  |  |  |  |  |  |  |  |  |  |  |  |  |  |  |  |  |  |  |  |  |  |  |  |  |
|                  |   | Generated        | 1     | Event generated   |  |  |  |  |  |  |  |  |  |  |  |  |  |  |  |  |  |  |  |  |  |  |  |  |  |  |  |

### 6.20.14.32 EVENTS\_TXREADY

Address offset: 0x154

RADIO has ramped up and is ready to be started TX path

| Bit number       | 31 30 29 28 27 26 25 24 23 22 21 20 19 18 17 16 15 14 13 12 11 10 9 8 7 6 5 4 3 2 1 0 |                |       |  |  |  |  |  |  |  |  |  |  |  |  |  |  |  |  |  |  |  |  |  |  |  |  |  |  |  |  |
|------------------|---|----------------|-------|--|--|--|--|--|--|--|--|--|--|--|--|--|--|--|--|--|--|--|--|--|--|--|--|--|--|--|--|
| ID               | A   |                |       |  |  |  |  |  |  |  |  |  |  |  |  |  |  |  |  |  |  |  |  |  |  |  |  |  |  |  |  |
| Reset 0x00000000 | 0             |                |       |  |  |  |  |  |  |  |  |  |  |  |  |  |  |  |  |  |  |  |  |  |  |  |  |  |  |  |  |
| ID               | Acce Field  | Value ID       | Value | Description  |  |  |  |  |  |  |  |  |  |  |  |  |  |  |  |  |  |  |  |  |  |  |  |  |  |  |  |
| A                | RW  | EVENTS_TXREADY |       | RADIO has ramped up and is ready to be started TX path |  |  |  |  |  |  |  |  |  |  |  |  |  |  |  |  |  |  |  |  |  |  |  |  |  |  |  |
|                  |   | NotGenerated   | 0     | Event not generated                                    |  |  |  |  |  |  |  |  |  |  |  |  |  |  |  |  |  |  |  |  |  |  |  |  |  |  |  |
|                  |   | Generated      | 1     | Event generated  |  |  |  |  |  |  |  |  |  |  |  |  |  |  |  |  |  |  |  |  |  |  |  |  |  |  |  |

### 6.20.14.33 EVENTS\_RXREADY

Address offset: 0x158

RADIO has ramped up and is ready to be started RX path

| Bit number       | 31  | 30           | 29    | 28   | 27 | 26 | 25 | 24 | 23 | 22 | 21 | 20 | 19 | 18 | 17 | 16 | 15 | 14 | 13 | 12 | 11 | 10 | 9 | 8 | 7 | 6 | 5 | 4 | 3 | 2 | 1 | 0 |
|------------------|---|--------------|-------|--|----|----|----|----|----|----|----|----|----|----|----|----|----|----|----|----|----|----|---|---|---|---|---|---|---|---|---|---|
| ID               |   |              |       |  |    |    |    |    |    |    |    |    |    |    |    |    |    |    |    |    |    |    |   |   |   |   |   |   |   |   |   | A |
| Reset 0x00000000 | 0 |              |       |  |    |    |    |    |    |    |    |    |    |    |    |    |    |    |    |    |    |    |   |   |   |   |   |   |   |   |   |   |
| ID               | Acce Field  | Value ID     | Value | Description  |    |    |    |    |    |    |    |    |    |    |    |    |    |    |    |    |    |    |   |   |   |   |   |   |   |   |   |   |
| A                | RW EVENTS_RXREADY   |              |       | RADIO has ramped up and is ready to be started RX path |    |    |    |    |    |    |    |    |    |    |    |    |    |    |    |    |    |    |   |   |   |   |   |   |   |   |   |   |
|                  |   | NotGenerated | 0     | Event not generated                                    |    |    |    |    |    |    |    |    |    |    |    |    |    |    |    |    |    |    |   |   |   |   |   |   |   |   |   |   |
|                  |   | Generated    | 1     | Event generated  |    |    |    |    |    |    |    |    |    |    |    |    |    |    |    |    |    |    |   |   |   |   |   |   |   |   |   |   |

### 6.20.14.34 EVENTS\_MHRMATCH

Address offset: 0x15C

MAC header match found

| Bit number       | 31  | 30           | 29    | 28                     | 27 | 26 | 25 | 24 | 23 | 22 | 21 | 20 | 19 | 18 | 17 | 16 | 15 | 14 | 13 | 12 | 11 | 10 | 9 | 8 | 7 | 6 | 5 | 4 | 3 | 2 | 1 | 0 |
|------------------|---|--------------|-------|------------------------|----|----|----|----|----|----|----|----|----|----|----|----|----|----|----|----|----|----|---|---|---|---|---|---|---|---|---|---|
| ID               |   |              |       |                        |    |    |    |    |    |    |    |    |    |    |    |    |    |    |    |    |    |    |   |   |   |   |   |   |   |   |   | A |
| Reset 0x00000000 | 0 |              |       |                        |    |    |    |    |    |    |    |    |    |    |    |    |    |    |    |    |    |    |   |   |   |   |   |   |   |   |   |   |
| ID               | Acce Field  | Value ID     | Value | Description            |    |    |    |    |    |    |    |    |    |    |    |    |    |    |    |    |    |    |   |   |   |   |   |   |   |   |   |   |
| A                | RW EVENTS_MHRMATCH  |              |       | MAC header match found |    |    |    |    |    |    |    |    |    |    |    |    |    |    |    |    |    |    |   |   |   |   |   |   |   |   |   |   |
|                  |   | NotGenerated | 0     | Event not generated    |    |    |    |    |    |    |    |    |    |    |    |    |    |    |    |    |    |    |   |   |   |   |   |   |   |   |   |   |
|                  |   | Generated    | 1     | Event generated        |    |    |    |    |    |    |    |    |    |    |    |    |    |    |    |    |    |    |   |   |   |   |   |   |   |   |   |   |

### 6.20.14.35 EVENTS\_SYNC

Address offset: 0x168

Preamble indicator.

A possible preamble has been received in Ble\_LR125Kbit, Ble\_LR500Kbit or leee802154\_250Kbit modes during an RX transaction. False triggering of the event is possible.

| Bit number       | 31  | 30           | 29    | 28   | 27 | 26 | 25 | 24 | 23 | 22 | 21 | 20 | 19 | 18 | 17 | 16 | 15 | 14 | 13 | 12 | 11 | 10 | 9 | 8 | 7 | 6 | 5 | 4 | 3 | 2 | 1 | 0 |
|------------------|---|--------------|-------|--|----|----|----|----|----|----|----|----|----|----|----|----|----|----|----|----|----|----|---|---|---|---|---|---|---|---|---|---|
| ID               |   |              |       |  |    |    |    |    |    |    |    |    |    |    |    |    |    |    |    |    |    |    |   |   |   |   |   |   |   |   |   | A |
| Reset 0x00000000 | 0 |              |       |  |    |    |    |    |    |    |    |    |    |    |    |    |    |    |    |    |    |    |   |   |   |   |   |   |   |   |   |   |
| ID               | Acce Field  | Value ID     | Value | Description  |    |    |    |    |    |    |    |    |    |    |    |    |    |    |    |    |    |    |   |   |   |   |   |   |   |   |   |   |
| A                | RW EVENTS_SYNC  |              |       | Preamble indicator.  |    |    |    |    |    |    |    |    |    |    |    |    |    |    |    |    |    |    |   |   |   |   |   |   |   |   |   |   |
|                  |   |              |       | A possible preamble has been received in Ble_LR125Kbit, Ble_LR500Kbit or leee802154_250Kbit modes during an RX transaction. False triggering of the event is possible. |    |    |    |    |    |    |    |    |    |    |    |    |    |    |    |    |    |    |   |   |   |   |   |   |   |   |   |   |
|                  |   | NotGenerated | 0     | Event not generated  |    |    |    |    |    |    |    |    |    |    |    |    |    |    |    |    |    |    |   |   |   |   |   |   |   |   |   |   |
|                  |   | Generated    | 1     | Event generated  |    |    |    |    |    |    |    |    |    |    |    |    |    |    |    |    |    |    |   |   |   |   |   |   |   |   |   |   |

### 6.20.14.36 EVENTS\_PHYEND

Address offset: 0x16C

Generated in Ble\_LR125Kbit, Ble\_LR500Kbit and leee802154\_250Kbit modes when last bit is sent on air.

| Bit number       | 31  | 30            | 29           | 28    | 27   | 26 | 25 | 24 | 23 | 22 | 21 | 20 | 19 | 18 | 17 | 16 | 15 | 14 | 13 | 12 | 11 | 10 | 9 | 8 | 7 | 6 | 5 | 4 | 3 | 2 | 1 | 0 |
|------------------|---|---------------|--------------|-------|--|----|----|----|----|----|----|----|----|----|----|----|----|----|----|----|----|----|---|---|---|---|---|---|---|---|---|---|
| ID               |   |               |              |       |  |    |    |    |    |    |    |    |    |    |    |    |    |    |    |    |    |    |   |   |   |   |   |   |   |   |   | A |
| Reset 0x00000000 | 0 |               |              |       |  |    |    |    |    |    |    |    |    |    |    |    |    |    |    |    |    |    |   |   |   |   |   |   |   |   |   |   |
| ID               | Acce  | Field         | Value ID     | Value | Description  |    |    |    |    |    |    |    |    |    |    |    |    |    |    |    |    |    |   |   |   |   |   |   |   |   |   |   |
| A                | RW  | EVENTS_PHYEND |              |       | Generated in Ble_LR125Kbit, Ble_LR500Kbit and leee802154_250Kbit modes when last bit is sent on air. |    |    |    |    |    |    |    |    |    |    |    |    |    |    |    |    |    |   |   |   |   |   |   |   |   |   |   |
|                  |   |               | NotGenerated | 0     | Event not generated  |    |    |    |    |    |    |    |    |    |    |    |    |    |    |    |    |    |   |   |   |   |   |   |   |   |   |   |
|                  |   |               | Generated    | 1     | Event generated  |    |    |    |    |    |    |    |    |    |    |    |    |    |    |    |    |    |   |   |   |   |   |   |   |   |   |   |

## 6.20.14.37 SHORTS

Address offset: 0x200

Shortcuts between local events and tasks

| Bit number       | 31  | 30                 | 29       | 28    | 27   | 26 | 25 | 24 | 23 | 22 | 21 | 20 | 19 | 18 | 17 | 16 | 15 | 14 | 13 | 12 | 11 | 10 | 9 | 8 | 7 | 6 | 5 | 4 | 3 | 2 | 1 | 0 |  |  |  |  |  |
|------------------|---|--------------------|----------|-------|--|----|----|----|----|----|----|----|----|----|----|----|----|----|----|----|----|----|---|---|---|---|---|---|---|---|---|---|--|--|--|--|--|
| ID               |   |                    |          |       |  |    |    |    |    |    |    |    |    |    |    | U  | T  | S  | R  | Q  | P  | O  | N | M | L | K |   |   |   |   |   |   |  |  |  |  |  |
| Reset 0x00000000 | 0 |                    |          |       |  |    |    |    |    |    |    |    |    |    |    |    |    |    |    |    |    |    |   |   |   |   |   |   |   |   |   |   |  |  |  |  |  |
| ID               | Acce  | Field              | Value ID | Value | Description  |    |    |    |    |    |    |    |    |    |    |    |    |    |    |    |    |    |   |   |   |   |   |   |   |   |   |   |  |  |  |  |  |
| A                | RW  | READY_START        |          |       | Shortcut between event <a href="#">READY</a> and task <a href="#">START</a>        |    |    |    |    |    |    |    |    |    |    |    |    |    |    |    |    |    |   |   |   |   |   |   |   |   |   |   |  |  |  |  |  |
|                  |   |                    | Disabled | 0     | Disable shortcut   |    |    |    |    |    |    |    |    |    |    |    |    |    |    |    |    |    |   |   |   |   |   |   |   |   |   |   |  |  |  |  |  |
|                  |   |                    | Enabled  | 1     | Enable shortcut  |    |    |    |    |    |    |    |    |    |    |    |    |    |    |    |    |    |   |   |   |   |   |   |   |   |   |   |  |  |  |  |  |
| B                | RW  | END_DISABLE        |          |       | Shortcut between event <a href="#">END</a> and task <a href="#">DISABLE</a>        |    |    |    |    |    |    |    |    |    |    |    |    |    |    |    |    |    |   |   |   |   |   |   |   |   |   |   |  |  |  |  |  |
|                  |   |                    | Disabled | 0     | Disable shortcut   |    |    |    |    |    |    |    |    |    |    |    |    |    |    |    |    |    |   |   |   |   |   |   |   |   |   |   |  |  |  |  |  |
|                  |   |                    | Enabled  | 1     | Enable shortcut  |    |    |    |    |    |    |    |    |    |    |    |    |    |    |    |    |    |   |   |   |   |   |   |   |   |   |   |  |  |  |  |  |
| C                | RW  | DISABLED_TXEN      |          |       | Shortcut between event <a href="#">DISABLED</a> and task <a href="#">TXEN</a>      |    |    |    |    |    |    |    |    |    |    |    |    |    |    |    |    |    |   |   |   |   |   |   |   |   |   |   |  |  |  |  |  |
|                  |   |                    | Disabled | 0     | Disable shortcut   |    |    |    |    |    |    |    |    |    |    |    |    |    |    |    |    |    |   |   |   |   |   |   |   |   |   |   |  |  |  |  |  |
|                  |   |                    | Enabled  | 1     | Enable shortcut  |    |    |    |    |    |    |    |    |    |    |    |    |    |    |    |    |    |   |   |   |   |   |   |   |   |   |   |  |  |  |  |  |
| D                | RW  | DISABLED_RXEN      |          |       | Shortcut between event <a href="#">DISABLED</a> and task <a href="#">RXEN</a>      |    |    |    |    |    |    |    |    |    |    |    |    |    |    |    |    |    |   |   |   |   |   |   |   |   |   |   |  |  |  |  |  |
|                  |   |                    | Disabled | 0     | Disable shortcut   |    |    |    |    |    |    |    |    |    |    |    |    |    |    |    |    |    |   |   |   |   |   |   |   |   |   |   |  |  |  |  |  |
|                  |   |                    | Enabled  | 1     | Enable shortcut  |    |    |    |    |    |    |    |    |    |    |    |    |    |    |    |    |    |   |   |   |   |   |   |   |   |   |   |  |  |  |  |  |
| E                | RW  | ADDRESS_RSSISTART  |          |       | Shortcut between event <a href="#">ADDRESS</a> and task <a href="#">RSSISTART</a>  |    |    |    |    |    |    |    |    |    |    |    |    |    |    |    |    |    |   |   |   |   |   |   |   |   |   |   |  |  |  |  |  |
|                  |   |                    | Disabled | 0     | Disable shortcut   |    |    |    |    |    |    |    |    |    |    |    |    |    |    |    |    |    |   |   |   |   |   |   |   |   |   |   |  |  |  |  |  |
|                  |   |                    | Enabled  | 1     | Enable shortcut  |    |    |    |    |    |    |    |    |    |    |    |    |    |    |    |    |    |   |   |   |   |   |   |   |   |   |   |  |  |  |  |  |
| F                | RW  | END_START          |          |       | Shortcut between event <a href="#">END</a> and task <a href="#">START</a>          |    |    |    |    |    |    |    |    |    |    |    |    |    |    |    |    |    |   |   |   |   |   |   |   |   |   |   |  |  |  |  |  |
|                  |   |                    | Disabled | 0     | Disable shortcut   |    |    |    |    |    |    |    |    |    |    |    |    |    |    |    |    |    |   |   |   |   |   |   |   |   |   |   |  |  |  |  |  |
|                  |   |                    | Enabled  | 1     | Enable shortcut  |    |    |    |    |    |    |    |    |    |    |    |    |    |    |    |    |    |   |   |   |   |   |   |   |   |   |   |  |  |  |  |  |
| G                | RW  | ADDRESS_BCSTART    |          |       | Shortcut between event <a href="#">ADDRESS</a> and task <a href="#">BCSTART</a>    |    |    |    |    |    |    |    |    |    |    |    |    |    |    |    |    |    |   |   |   |   |   |   |   |   |   |   |  |  |  |  |  |
|                  |   |                    | Disabled | 0     | Disable shortcut   |    |    |    |    |    |    |    |    |    |    |    |    |    |    |    |    |    |   |   |   |   |   |   |   |   |   |   |  |  |  |  |  |
|                  |   |                    | Enabled  | 1     | Enable shortcut  |    |    |    |    |    |    |    |    |    |    |    |    |    |    |    |    |    |   |   |   |   |   |   |   |   |   |   |  |  |  |  |  |
| H                | RW  | DISABLED_RSSISTOP  |          |       | Shortcut between event <a href="#">DISABLED</a> and task <a href="#">RSSISTOP</a>  |    |    |    |    |    |    |    |    |    |    |    |    |    |    |    |    |    |   |   |   |   |   |   |   |   |   |   |  |  |  |  |  |
|                  |   |                    | Disabled | 0     | Disable shortcut   |    |    |    |    |    |    |    |    |    |    |    |    |    |    |    |    |    |   |   |   |   |   |   |   |   |   |   |  |  |  |  |  |
|                  |   |                    | Enabled  | 1     | Enable shortcut  |    |    |    |    |    |    |    |    |    |    |    |    |    |    |    |    |    |   |   |   |   |   |   |   |   |   |   |  |  |  |  |  |
| K                | RW  | RXREADY_CCASTART   |          |       | Shortcut between event <a href="#">RXREADY</a> and task <a href="#">CCASTART</a>   |    |    |    |    |    |    |    |    |    |    |    |    |    |    |    |    |    |   |   |   |   |   |   |   |   |   |   |  |  |  |  |  |
|                  |   |                    | Disabled | 0     | Disable shortcut   |    |    |    |    |    |    |    |    |    |    |    |    |    |    |    |    |    |   |   |   |   |   |   |   |   |   |   |  |  |  |  |  |
|                  |   |                    | Enabled  | 1     | Enable shortcut  |    |    |    |    |    |    |    |    |    |    |    |    |    |    |    |    |    |   |   |   |   |   |   |   |   |   |   |  |  |  |  |  |
| L                | RW  | CCAIDLE_TXEN       |          |       | Shortcut between event <a href="#">CCAIDLE</a> and task <a href="#">TXEN</a>       |    |    |    |    |    |    |    |    |    |    |    |    |    |    |    |    |    |   |   |   |   |   |   |   |   |   |   |  |  |  |  |  |
|                  |   |                    | Disabled | 0     | Disable shortcut   |    |    |    |    |    |    |    |    |    |    |    |    |    |    |    |    |    |   |   |   |   |   |   |   |   |   |   |  |  |  |  |  |
|                  |   |                    | Enabled  | 1     | Enable shortcut  |    |    |    |    |    |    |    |    |    |    |    |    |    |    |    |    |    |   |   |   |   |   |   |   |   |   |   |  |  |  |  |  |
| M                | RW  | CCABUSY_DISABLE    |          |       | Shortcut between event <a href="#">CCABUSY</a> and task <a href="#">DISABLE</a>    |    |    |    |    |    |    |    |    |    |    |    |    |    |    |    |    |    |   |   |   |   |   |   |   |   |   |   |  |  |  |  |  |
|                  |   |                    | Disabled | 0     | Disable shortcut   |    |    |    |    |    |    |    |    |    |    |    |    |    |    |    |    |    |   |   |   |   |   |   |   |   |   |   |  |  |  |  |  |
|                  |   |                    | Enabled  | 1     | Enable shortcut  |    |    |    |    |    |    |    |    |    |    |    |    |    |    |    |    |    |   |   |   |   |   |   |   |   |   |   |  |  |  |  |  |
| N                | RW  | FRAMESTART_BCSTART |          |       | Shortcut between event <a href="#">FRAMESTART</a> and task <a href="#">BCSTART</a> |    |    |    |    |    |    |    |    |    |    |    |    |    |    |    |    |    |   |   |   |   |   |   |   |   |   |   |  |  |  |  |  |
|                  |   |                    | Disabled | 0     | Disable shortcut   |    |    |    |    |    |    |    |    |    |    |    |    |    |    |    |    |    |   |   |   |   |   |   |   |   |   |   |  |  |  |  |  |



| Bit number       |                   | 31 30 29 28 27 26 25 24 23 22 21 20 19 18 17 16 15 14 13 12 11 10 9 8 7 6 5 4 3 2 1 0 |       |  |  |  |  |  |  |  |  |  |  |  |  |  |  |  |  |  |  |  |  |  |  |  |  |  |  |
|------------------|-------------------|---|-------|--|--|--|--|--|--|--|--|--|--|--|--|--|--|--|--|--|--|--|--|--|--|--|--|--|--|
| ID               |                   | U T S R Q P O N M L K H G F E D C B A   |       |  |  |  |  |  |  |  |  |  |  |  |  |  |  |  |  |  |  |  |  |  |  |  |  |  |  |
| Reset 0x00000000 |                   | 0                       |       |  |  |  |  |  |  |  |  |  |  |  |  |  |  |  |  |  |  |  |  |  |  |  |  |  |  |
| ID               | Acce Field        | Value ID  | Value | Description  |  |  |  |  |  |  |  |  |  |  |  |  |  |  |  |  |  |  |  |  |  |  |  |  |  |
|                  |                   | Enabled   | 1     | Enable shortcut  |  |  |  |  |  |  |  |  |  |  |  |  |  |  |  |  |  |  |  |  |  |  |  |  |  |
| O                | RW READY_EDSTART  |   |       | Shortcut between event <a href="#">READY</a> and task <a href="#">EDSTART</a>  |  |  |  |  |  |  |  |  |  |  |  |  |  |  |  |  |  |  |  |  |  |  |  |  |  |
|                  |                   | Disabled  | 0     | Disable shortcut   |  |  |  |  |  |  |  |  |  |  |  |  |  |  |  |  |  |  |  |  |  |  |  |  |  |
|                  |                   | Enabled   | 1     | Enable shortcut  |  |  |  |  |  |  |  |  |  |  |  |  |  |  |  |  |  |  |  |  |  |  |  |  |  |
| P                | RW EDEND_DISABLE  |   |       | Shortcut between event <a href="#">EDEND</a> and task <a href="#">DISABLE</a>  |  |  |  |  |  |  |  |  |  |  |  |  |  |  |  |  |  |  |  |  |  |  |  |  |  |
|                  |                   | Disabled  | 0     | Disable shortcut   |  |  |  |  |  |  |  |  |  |  |  |  |  |  |  |  |  |  |  |  |  |  |  |  |  |
|                  |                   | Enabled   | 1     | Enable shortcut  |  |  |  |  |  |  |  |  |  |  |  |  |  |  |  |  |  |  |  |  |  |  |  |  |  |
| Q                | RW CCAIDLE_STOP   |   |       | Shortcut between event <a href="#">CCAIDLE</a> and task <a href="#">STOP</a>   |  |  |  |  |  |  |  |  |  |  |  |  |  |  |  |  |  |  |  |  |  |  |  |  |  |
|                  |                   | Disabled  | 0     | Disable shortcut   |  |  |  |  |  |  |  |  |  |  |  |  |  |  |  |  |  |  |  |  |  |  |  |  |  |
|                  |                   | Enabled   | 1     | Enable shortcut  |  |  |  |  |  |  |  |  |  |  |  |  |  |  |  |  |  |  |  |  |  |  |  |  |  |
| R                | RW TXREADY_START  |   |       | Shortcut between event <a href="#">TXREADY</a> and task <a href="#">START</a>  |  |  |  |  |  |  |  |  |  |  |  |  |  |  |  |  |  |  |  |  |  |  |  |  |  |
|                  |                   | Disabled  | 0     | Disable shortcut   |  |  |  |  |  |  |  |  |  |  |  |  |  |  |  |  |  |  |  |  |  |  |  |  |  |
|                  |                   | Enabled   | 1     | Enable shortcut  |  |  |  |  |  |  |  |  |  |  |  |  |  |  |  |  |  |  |  |  |  |  |  |  |  |
| S                | RW RXREADY_START  |   |       | Shortcut between event <a href="#">RXREADY</a> and task <a href="#">START</a>  |  |  |  |  |  |  |  |  |  |  |  |  |  |  |  |  |  |  |  |  |  |  |  |  |  |
|                  |                   | Disabled  | 0     | Disable shortcut   |  |  |  |  |  |  |  |  |  |  |  |  |  |  |  |  |  |  |  |  |  |  |  |  |  |
|                  |                   | Enabled   | 1     | Enable shortcut  |  |  |  |  |  |  |  |  |  |  |  |  |  |  |  |  |  |  |  |  |  |  |  |  |  |
| T                | RW PHYEND_DISABLE |   |       | Shortcut between event <a href="#">PHYEND</a> and task <a href="#">DISABLE</a> |  |  |  |  |  |  |  |  |  |  |  |  |  |  |  |  |  |  |  |  |  |  |  |  |  |
|                  |                   | Disabled  | 0     | Disable shortcut   |  |  |  |  |  |  |  |  |  |  |  |  |  |  |  |  |  |  |  |  |  |  |  |  |  |
|                  |                   | Enabled   | 1     | Enable shortcut  |  |  |  |  |  |  |  |  |  |  |  |  |  |  |  |  |  |  |  |  |  |  |  |  |  |
| U                | RW PHYEND_START   |   |       | Shortcut between event <a href="#">PHYEND</a> and task <a href="#">START</a>   |  |  |  |  |  |  |  |  |  |  |  |  |  |  |  |  |  |  |  |  |  |  |  |  |  |
|                  |                   | Disabled  | 0     | Disable shortcut   |  |  |  |  |  |  |  |  |  |  |  |  |  |  |  |  |  |  |  |  |  |  |  |  |  |
|                  |                   | Enabled   | 1     | Enable shortcut  |  |  |  |  |  |  |  |  |  |  |  |  |  |  |  |  |  |  |  |  |  |  |  |  |  |

## 6.20.14.38 INTENSET

Address offset: 0x304

Enable interrupt

| Bit number       |             | 31 30 29 28 27 26 25 24 23 22 21 20 19 18 17 16 15 14 13 12 11 10 9 8 7 6 5 4 3 2 1 0 |       |  |  |  |  |  |  |  |  |  |  |  |  |  |  |  |  |  |  |  |  |  |  |  |  |  |  |
|------------------|-------------|---|-------|--|--|--|--|--|--|--|--|--|--|--|--|--|--|--|--|--|--|--|--|--|--|--|--|--|--|
| ID               |             | Z Y V U T S R Q P O N M L K I H G F E D C B A   |       |  |  |  |  |  |  |  |  |  |  |  |  |  |  |  |  |  |  |  |  |  |  |  |  |  |  |
| Reset 0x00000000 |             | 0                       |       |  |  |  |  |  |  |  |  |  |  |  |  |  |  |  |  |  |  |  |  |  |  |  |  |  |  |
| ID               | Acce Field  | Value ID  | Value | Description  |  |  |  |  |  |  |  |  |  |  |  |  |  |  |  |  |  |  |  |  |  |  |  |  |  |
| A                | RW READY    |   |       | Write '1' to enable interrupt for event <a href="#">READY</a>    |  |  |  |  |  |  |  |  |  |  |  |  |  |  |  |  |  |  |  |  |  |  |  |  |  |
|                  |             | Set   | 1     | Enable   |  |  |  |  |  |  |  |  |  |  |  |  |  |  |  |  |  |  |  |  |  |  |  |  |  |
|                  |             | Disabled  | 0     | Read: Disabled   |  |  |  |  |  |  |  |  |  |  |  |  |  |  |  |  |  |  |  |  |  |  |  |  |  |
|                  |             | Enabled   | 1     | Read: Enabled  |  |  |  |  |  |  |  |  |  |  |  |  |  |  |  |  |  |  |  |  |  |  |  |  |  |
| B                | RW ADDRESS  |   |       | Write '1' to enable interrupt for event <a href="#">ADDRESS</a>  |  |  |  |  |  |  |  |  |  |  |  |  |  |  |  |  |  |  |  |  |  |  |  |  |  |
|                  |             | Set   | 1     | Enable   |  |  |  |  |  |  |  |  |  |  |  |  |  |  |  |  |  |  |  |  |  |  |  |  |  |
|                  |             | Disabled  | 0     | Read: Disabled   |  |  |  |  |  |  |  |  |  |  |  |  |  |  |  |  |  |  |  |  |  |  |  |  |  |
|                  |             | Enabled   | 1     | Read: Enabled  |  |  |  |  |  |  |  |  |  |  |  |  |  |  |  |  |  |  |  |  |  |  |  |  |  |
| C                | RW PAYLOAD  |   |       | Write '1' to enable interrupt for event <a href="#">PAYLOAD</a>  |  |  |  |  |  |  |  |  |  |  |  |  |  |  |  |  |  |  |  |  |  |  |  |  |  |
|                  |             | Set   | 1     | Enable   |  |  |  |  |  |  |  |  |  |  |  |  |  |  |  |  |  |  |  |  |  |  |  |  |  |
|                  |             | Disabled  | 0     | Read: Disabled   |  |  |  |  |  |  |  |  |  |  |  |  |  |  |  |  |  |  |  |  |  |  |  |  |  |
|                  |             | Enabled   | 1     | Read: Enabled  |  |  |  |  |  |  |  |  |  |  |  |  |  |  |  |  |  |  |  |  |  |  |  |  |  |
| D                | RW END      |   |       | Write '1' to enable interrupt for event <a href="#">END</a>      |  |  |  |  |  |  |  |  |  |  |  |  |  |  |  |  |  |  |  |  |  |  |  |  |  |
|                  |             | Set   | 1     | Enable   |  |  |  |  |  |  |  |  |  |  |  |  |  |  |  |  |  |  |  |  |  |  |  |  |  |
|                  |             | Disabled  | 0     | Read: Disabled   |  |  |  |  |  |  |  |  |  |  |  |  |  |  |  |  |  |  |  |  |  |  |  |  |  |
|                  |             | Enabled   | 1     | Read: Enabled  |  |  |  |  |  |  |  |  |  |  |  |  |  |  |  |  |  |  |  |  |  |  |  |  |  |
| E                | RW DISABLED |   |       | Write '1' to enable interrupt for event <a href="#">DISABLED</a> |  |  |  |  |  |  |  |  |  |  |  |  |  |  |  |  |  |  |  |  |  |  |  |  |  |

| Bit number       |               | 31 30 29 28 27 26 25 24 23 22 21 20 19 18 17 16 15 14 13 12 11 10 9 8 7 6 5 4 3 2 1 0 |       |   |  |   |  |                 |  |  |  |  |  |  |  |  |  |  |  |  |  |  |  |  |  |  |  |  |  |
|------------------|---------------|---|-------|---|--|---|--|-----------------|--|--|--|--|--|--|--|--|--|--|--|--|--|--|--|--|--|--|--|--|--|
| ID               |               | Z Y   |       | V U T S R Q P O N M L K   |  | I |  | H G F E D C B A |  |  |  |  |  |  |  |  |  |  |  |  |  |  |  |  |  |  |  |  |  |
| Reset 0x00000000 |               | 0                       |       |   |  |   |  |                 |  |  |  |  |  |  |  |  |  |  |  |  |  |  |  |  |  |  |  |  |  |
| ID               | Acce Field    | Value ID  | Value | Description   |  |   |  |                 |  |  |  |  |  |  |  |  |  |  |  |  |  |  |  |  |  |  |  |  |  |
|                  |               | Set   | 1     | Enable  |  |   |  |                 |  |  |  |  |  |  |  |  |  |  |  |  |  |  |  |  |  |  |  |  |  |
|                  |               | Disabled  | 0     | Read: Disabled  |  |   |  |                 |  |  |  |  |  |  |  |  |  |  |  |  |  |  |  |  |  |  |  |  |  |
|                  |               | Enabled   | 1     | Read: Enabled   |  |   |  |                 |  |  |  |  |  |  |  |  |  |  |  |  |  |  |  |  |  |  |  |  |  |
| F                | RW DEVMATCH   |   |       | Write '1' to enable interrupt for event <a href="#">DEVMATCH</a>          |  |   |  |                 |  |  |  |  |  |  |  |  |  |  |  |  |  |  |  |  |  |  |  |  |  |
|                  |               | Set   | 1     | Enable  |  |   |  |                 |  |  |  |  |  |  |  |  |  |  |  |  |  |  |  |  |  |  |  |  |  |
|                  |               | Disabled  | 0     | Read: Disabled  |  |   |  |                 |  |  |  |  |  |  |  |  |  |  |  |  |  |  |  |  |  |  |  |  |  |
|                  |               | Enabled   | 1     | Read: Enabled   |  |   |  |                 |  |  |  |  |  |  |  |  |  |  |  |  |  |  |  |  |  |  |  |  |  |
| G                | RW DEVMISS    |   |       | Write '1' to enable interrupt for event <a href="#">DEVMISS</a>           |  |   |  |                 |  |  |  |  |  |  |  |  |  |  |  |  |  |  |  |  |  |  |  |  |  |
|                  |               | Set   | 1     | Enable  |  |   |  |                 |  |  |  |  |  |  |  |  |  |  |  |  |  |  |  |  |  |  |  |  |  |
|                  |               | Disabled  | 0     | Read: Disabled  |  |   |  |                 |  |  |  |  |  |  |  |  |  |  |  |  |  |  |  |  |  |  |  |  |  |
|                  |               | Enabled   | 1     | Read: Enabled   |  |   |  |                 |  |  |  |  |  |  |  |  |  |  |  |  |  |  |  |  |  |  |  |  |  |
| H                | RW RSSIEND    |   |       | Write '1' to enable interrupt for event <a href="#">RSSIEND</a>           |  |   |  |                 |  |  |  |  |  |  |  |  |  |  |  |  |  |  |  |  |  |  |  |  |  |
|                  |               |   |       | A new RSSI sample is ready for readout from the RADIO.RSSISAMPLE register |  |   |  |                 |  |  |  |  |  |  |  |  |  |  |  |  |  |  |  |  |  |  |  |  |  |
|                  |               | Set   | 1     | Enable  |  |   |  |                 |  |  |  |  |  |  |  |  |  |  |  |  |  |  |  |  |  |  |  |  |  |
|                  |               | Disabled  | 0     | Read: Disabled  |  |   |  |                 |  |  |  |  |  |  |  |  |  |  |  |  |  |  |  |  |  |  |  |  |  |
|                  |               | Enabled   | 1     | Read: Enabled   |  |   |  |                 |  |  |  |  |  |  |  |  |  |  |  |  |  |  |  |  |  |  |  |  |  |
| I                | RW BCMATCH    |   |       | Write '1' to enable interrupt for event <a href="#">BCMATCH</a>           |  |   |  |                 |  |  |  |  |  |  |  |  |  |  |  |  |  |  |  |  |  |  |  |  |  |
|                  |               |   |       | Bit counter value is specified in the RADIO.BCC register                  |  |   |  |                 |  |  |  |  |  |  |  |  |  |  |  |  |  |  |  |  |  |  |  |  |  |
|                  |               | Set   | 1     | Enable  |  |   |  |                 |  |  |  |  |  |  |  |  |  |  |  |  |  |  |  |  |  |  |  |  |  |
|                  |               | Disabled  | 0     | Read: Disabled  |  |   |  |                 |  |  |  |  |  |  |  |  |  |  |  |  |  |  |  |  |  |  |  |  |  |
|                  |               | Enabled   | 1     | Read: Enabled   |  |   |  |                 |  |  |  |  |  |  |  |  |  |  |  |  |  |  |  |  |  |  |  |  |  |
| K                | RW CRCOK      |   |       | Write '1' to enable interrupt for event <a href="#">CRCOK</a>             |  |   |  |                 |  |  |  |  |  |  |  |  |  |  |  |  |  |  |  |  |  |  |  |  |  |
|                  |               | Set   | 1     | Enable  |  |   |  |                 |  |  |  |  |  |  |  |  |  |  |  |  |  |  |  |  |  |  |  |  |  |
|                  |               | Disabled  | 0     | Read: Disabled  |  |   |  |                 |  |  |  |  |  |  |  |  |  |  |  |  |  |  |  |  |  |  |  |  |  |
|                  |               | Enabled   | 1     | Read: Enabled   |  |   |  |                 |  |  |  |  |  |  |  |  |  |  |  |  |  |  |  |  |  |  |  |  |  |
| L                | RW CRCERROR   |   |       | Write '1' to enable interrupt for event <a href="#">CRCERROR</a>          |  |   |  |                 |  |  |  |  |  |  |  |  |  |  |  |  |  |  |  |  |  |  |  |  |  |
|                  |               | Set   | 1     | Enable  |  |   |  |                 |  |  |  |  |  |  |  |  |  |  |  |  |  |  |  |  |  |  |  |  |  |
|                  |               | Disabled  | 0     | Read: Disabled  |  |   |  |                 |  |  |  |  |  |  |  |  |  |  |  |  |  |  |  |  |  |  |  |  |  |
|                  |               | Enabled   | 1     | Read: Enabled   |  |   |  |                 |  |  |  |  |  |  |  |  |  |  |  |  |  |  |  |  |  |  |  |  |  |
| M                | RW FRAMESTART |   |       | Write '1' to enable interrupt for event <a href="#">FRAMESTART</a>        |  |   |  |                 |  |  |  |  |  |  |  |  |  |  |  |  |  |  |  |  |  |  |  |  |  |
|                  |               | Set   | 1     | Enable  |  |   |  |                 |  |  |  |  |  |  |  |  |  |  |  |  |  |  |  |  |  |  |  |  |  |
|                  |               | Disabled  | 0     | Read: Disabled  |  |   |  |                 |  |  |  |  |  |  |  |  |  |  |  |  |  |  |  |  |  |  |  |  |  |
|                  |               | Enabled   | 1     | Read: Enabled   |  |   |  |                 |  |  |  |  |  |  |  |  |  |  |  |  |  |  |  |  |  |  |  |  |  |
| N                | RW EDEND      |   |       | Write '1' to enable interrupt for event <a href="#">EDEND</a>             |  |   |  |                 |  |  |  |  |  |  |  |  |  |  |  |  |  |  |  |  |  |  |  |  |  |
|                  |               | Set   | 1     | Enable  |  |   |  |                 |  |  |  |  |  |  |  |  |  |  |  |  |  |  |  |  |  |  |  |  |  |
|                  |               | Disabled  | 0     | Read: Disabled  |  |   |  |                 |  |  |  |  |  |  |  |  |  |  |  |  |  |  |  |  |  |  |  |  |  |
|                  |               | Enabled   | 1     | Read: Enabled   |  |   |  |                 |  |  |  |  |  |  |  |  |  |  |  |  |  |  |  |  |  |  |  |  |  |
| O                | RW EDSTOPPED  |   |       | Write '1' to enable interrupt for event <a href="#">EDSTOPPED</a>         |  |   |  |                 |  |  |  |  |  |  |  |  |  |  |  |  |  |  |  |  |  |  |  |  |  |
|                  |               | Set   | 1     | Enable  |  |   |  |                 |  |  |  |  |  |  |  |  |  |  |  |  |  |  |  |  |  |  |  |  |  |
|                  |               | Disabled  | 0     | Read: Disabled  |  |   |  |                 |  |  |  |  |  |  |  |  |  |  |  |  |  |  |  |  |  |  |  |  |  |
|                  |               | Enabled   | 1     | Read: Enabled   |  |   |  |                 |  |  |  |  |  |  |  |  |  |  |  |  |  |  |  |  |  |  |  |  |  |
| P                | RW CCAIDLE    |   |       | Write '1' to enable interrupt for event <a href="#">CCAIDLE</a>           |  |   |  |                 |  |  |  |  |  |  |  |  |  |  |  |  |  |  |  |  |  |  |  |  |  |
|                  |               | Set   | 1     | Enable  |  |   |  |                 |  |  |  |  |  |  |  |  |  |  |  |  |  |  |  |  |  |  |  |  |  |
|                  |               | Disabled  | 0     | Read: Disabled  |  |   |  |                 |  |  |  |  |  |  |  |  |  |  |  |  |  |  |  |  |  |  |  |  |  |
|                  |               | Enabled   | 1     | Read: Enabled   |  |   |  |                 |  |  |  |  |  |  |  |  |  |  |  |  |  |  |  |  |  |  |  |  |  |
| Q                | RW CCABUSY    |   |       | Write '1' to enable interrupt for event <a href="#">CCABUSY</a>           |  |   |  |                 |  |  |  |  |  |  |  |  |  |  |  |  |  |  |  |  |  |  |  |  |  |
|                  |               | Set   | 1     | Enable  |  |   |  |                 |  |  |  |  |  |  |  |  |  |  |  |  |  |  |  |  |  |  |  |  |  |
|                  |               | Disabled  | 0     | Read: Disabled  |  |   |  |                 |  |  |  |  |  |  |  |  |  |  |  |  |  |  |  |  |  |  |  |  |  |
|                  |               | Enabled   | 1     | Read: Enabled   |  |   |  |                 |  |  |  |  |  |  |  |  |  |  |  |  |  |  |  |  |  |  |  |  |  |

| Bit number       | 31 30 29 28 27 26 25 24 23 22 21 20 19 18 17 16 15 14 13 12 11 10 9 8 7 6 5 4 3 2 1 0 |          |       |   |  |  |  |  |  |  |  |  |  |  |  |  |  |  |  |  |  |  |  |  |  |  |  |  |  |  |  |
|------------------|---|----------|-------|---|--|--|--|--|--|--|--|--|--|--|--|--|--|--|--|--|--|--|--|--|--|--|--|--|--|--|--|
| ID               | Z Y V U T S R Q P O N M L K I H G F E D C B A   |          |       |   |  |  |  |  |  |  |  |  |  |  |  |  |  |  |  |  |  |  |  |  |  |  |  |  |  |  |  |
| Reset 0x00000000 | 0             |          |       |   |  |  |  |  |  |  |  |  |  |  |  |  |  |  |  |  |  |  |  |  |  |  |  |  |  |  |  |
| ID               | Acce Field  | Value ID | Value | Description   |  |  |  |  |  |  |  |  |  |  |  |  |  |  |  |  |  |  |  |  |  |  |  |  |  |  |  |
| R                | RW CCASTOPPED   | Set      | 1     | Write '1' to enable interrupt for event <b>CCASTOPPED</b><br>Enable   |  |  |  |  |  |  |  |  |  |  |  |  |  |  |  |  |  |  |  |  |  |  |  |  |  |  |  |
|                  |   | Disabled | 0     | Read: Disabled  |  |  |  |  |  |  |  |  |  |  |  |  |  |  |  |  |  |  |  |  |  |  |  |  |  |  |  |
|                  |   | Enabled  | 1     | Read: Enabled   |  |  |  |  |  |  |  |  |  |  |  |  |  |  |  |  |  |  |  |  |  |  |  |  |  |  |  |
| S                | RW RATEBOOST  | Set      | 1     | Write '1' to enable interrupt for event <b>RATEBOOST</b><br>Ble_LR CI field received, receive mode is changed from Ble_LR125Kbit to Ble_LR500Kbit.<br>Enable  |  |  |  |  |  |  |  |  |  |  |  |  |  |  |  |  |  |  |  |  |  |  |  |  |  |  |  |
|                  |   | Disabled | 0     | Read: Disabled  |  |  |  |  |  |  |  |  |  |  |  |  |  |  |  |  |  |  |  |  |  |  |  |  |  |  |  |
|                  |   | Enabled  | 1     | Read: Enabled   |  |  |  |  |  |  |  |  |  |  |  |  |  |  |  |  |  |  |  |  |  |  |  |  |  |  |  |
| T                | RW TXREADY  | Set      | 1     | Write '1' to enable interrupt for event <b>TXREADY</b><br>Enable  |  |  |  |  |  |  |  |  |  |  |  |  |  |  |  |  |  |  |  |  |  |  |  |  |  |  |  |
|                  |   | Disabled | 0     | Read: Disabled  |  |  |  |  |  |  |  |  |  |  |  |  |  |  |  |  |  |  |  |  |  |  |  |  |  |  |  |
|                  |   | Enabled  | 1     | Read: Enabled   |  |  |  |  |  |  |  |  |  |  |  |  |  |  |  |  |  |  |  |  |  |  |  |  |  |  |  |
| U                | RW RXREADY  | Set      | 1     | Write '1' to enable interrupt for event <b>RXREADY</b><br>Enable  |  |  |  |  |  |  |  |  |  |  |  |  |  |  |  |  |  |  |  |  |  |  |  |  |  |  |  |
|                  |   | Disabled | 0     | Read: Disabled  |  |  |  |  |  |  |  |  |  |  |  |  |  |  |  |  |  |  |  |  |  |  |  |  |  |  |  |
|                  |   | Enabled  | 1     | Read: Enabled   |  |  |  |  |  |  |  |  |  |  |  |  |  |  |  |  |  |  |  |  |  |  |  |  |  |  |  |
| V                | RW MHRMATCH   | Set      | 1     | Write '1' to enable interrupt for event <b>MHRMATCH</b><br>Enable   |  |  |  |  |  |  |  |  |  |  |  |  |  |  |  |  |  |  |  |  |  |  |  |  |  |  |  |
|                  |   | Disabled | 0     | Read: Disabled  |  |  |  |  |  |  |  |  |  |  |  |  |  |  |  |  |  |  |  |  |  |  |  |  |  |  |  |
|                  |   | Enabled  | 1     | Read: Enabled   |  |  |  |  |  |  |  |  |  |  |  |  |  |  |  |  |  |  |  |  |  |  |  |  |  |  |  |
| Y                | RW SYNC   | Set      | 1     | Write '1' to enable interrupt for event <b>SYNC</b><br>A possible preamble has been received in Ble_LR125Kbit, Ble_LR500Kbit or leee802154_250Kbit modes during an RX transaction. False triggering of the event is possible.<br>Enable |  |  |  |  |  |  |  |  |  |  |  |  |  |  |  |  |  |  |  |  |  |  |  |  |  |  |  |
|                  |   | Disabled | 0     | Read: Disabled  |  |  |  |  |  |  |  |  |  |  |  |  |  |  |  |  |  |  |  |  |  |  |  |  |  |  |  |
|                  |   | Enabled  | 1     | Read: Enabled   |  |  |  |  |  |  |  |  |  |  |  |  |  |  |  |  |  |  |  |  |  |  |  |  |  |  |  |
| Z                | RW PHYEND   | Set      | 1     | Write '1' to enable interrupt for event <b>PHYEND</b><br>Enable   |  |  |  |  |  |  |  |  |  |  |  |  |  |  |  |  |  |  |  |  |  |  |  |  |  |  |  |
|                  |   | Disabled | 0     | Read: Disabled  |  |  |  |  |  |  |  |  |  |  |  |  |  |  |  |  |  |  |  |  |  |  |  |  |  |  |  |
|                  |   | Enabled  | 1     | Read: Enabled   |  |  |  |  |  |  |  |  |  |  |  |  |  |  |  |  |  |  |  |  |  |  |  |  |  |  |  |

## 6.20.14.39 INTENCLR

Address offset: 0x308

Disable interrupt

| Bit number       | 31 30 29 28 27 26 25 24 23 22 21 20 19 18 17 16 15 14 13 12 11 10 9 8 7 6 5 4 3 2 1 0 |          |       |  |  |  |  |  |  |  |  |  |  |  |  |  |  |  |  |  |  |  |  |  |  |  |  |  |  |  |  |
|------------------|---|----------|-------|--|--|--|--|--|--|--|--|--|--|--|--|--|--|--|--|--|--|--|--|--|--|--|--|--|--|--|--|
| ID               | Z Y V U T S R Q P O N M L K I H G F E D C B A   |          |       |  |  |  |  |  |  |  |  |  |  |  |  |  |  |  |  |  |  |  |  |  |  |  |  |  |  |  |  |
| Reset 0x00000000 | 0             |          |       |  |  |  |  |  |  |  |  |  |  |  |  |  |  |  |  |  |  |  |  |  |  |  |  |  |  |  |  |
| ID               | Acce Field  | Value ID | Value | Description  |  |  |  |  |  |  |  |  |  |  |  |  |  |  |  |  |  |  |  |  |  |  |  |  |  |  |  |
| A                | RW READY  | Clear    | 1     | Write '1' to disable interrupt for event <b>READY</b><br>Disable   |  |  |  |  |  |  |  |  |  |  |  |  |  |  |  |  |  |  |  |  |  |  |  |  |  |  |  |
|                  |   | Disabled | 0     | Read: Disabled   |  |  |  |  |  |  |  |  |  |  |  |  |  |  |  |  |  |  |  |  |  |  |  |  |  |  |  |
|                  |   | Enabled  | 1     | Read: Enabled  |  |  |  |  |  |  |  |  |  |  |  |  |  |  |  |  |  |  |  |  |  |  |  |  |  |  |  |
| B                | RW ADDRESS  | Clear    | 1     | Write '1' to disable interrupt for event <b>ADDRESS</b><br>Disable |  |  |  |  |  |  |  |  |  |  |  |  |  |  |  |  |  |  |  |  |  |  |  |  |  |  |  |

| Bit number       |               | 31 30 29 28 27 26 25 24 23 22 21 20 19 18 17 16 15 14 13 12 11 10 9 8 7 6 5 4 3 2 1 0 |       |   |  |  |  |  |  |  |  |  |  |  |  |  |  |  |  |  |  |  |  |  |  |  |  |  |  |
|------------------|---------------|---|-------|---|--|--|--|--|--|--|--|--|--|--|--|--|--|--|--|--|--|--|--|--|--|--|--|--|--|
| ID               |               | Z Y V U T S R Q P O N M L K I H G F E D C B A   |       |   |  |  |  |  |  |  |  |  |  |  |  |  |  |  |  |  |  |  |  |  |  |  |  |  |  |
| Reset 0x00000000 |               | 0                       |       |   |  |  |  |  |  |  |  |  |  |  |  |  |  |  |  |  |  |  |  |  |  |  |  |  |  |
| ID               | Acce Field    | Value ID  | Value | Description   |  |  |  |  |  |  |  |  |  |  |  |  |  |  |  |  |  |  |  |  |  |  |  |  |  |
|                  |               | Disabled  | 0     | Read: Disabled  |  |  |  |  |  |  |  |  |  |  |  |  |  |  |  |  |  |  |  |  |  |  |  |  |  |
|                  |               | Enabled   | 1     | Read: Enabled   |  |  |  |  |  |  |  |  |  |  |  |  |  |  |  |  |  |  |  |  |  |  |  |  |  |
| C                | RW PAYLOAD    |   |       | Write '1' to disable interrupt for event <a href="#">PAYLOAD</a>          |  |  |  |  |  |  |  |  |  |  |  |  |  |  |  |  |  |  |  |  |  |  |  |  |  |
|                  |               | Clear   | 1     | Disable   |  |  |  |  |  |  |  |  |  |  |  |  |  |  |  |  |  |  |  |  |  |  |  |  |  |
|                  |               | Disabled  | 0     | Read: Disabled  |  |  |  |  |  |  |  |  |  |  |  |  |  |  |  |  |  |  |  |  |  |  |  |  |  |
|                  |               | Enabled   | 1     | Read: Enabled   |  |  |  |  |  |  |  |  |  |  |  |  |  |  |  |  |  |  |  |  |  |  |  |  |  |
| D                | RW END        |   |       | Write '1' to disable interrupt for event <a href="#">END</a>              |  |  |  |  |  |  |  |  |  |  |  |  |  |  |  |  |  |  |  |  |  |  |  |  |  |
|                  |               | Clear   | 1     | Disable   |  |  |  |  |  |  |  |  |  |  |  |  |  |  |  |  |  |  |  |  |  |  |  |  |  |
|                  |               | Disabled  | 0     | Read: Disabled  |  |  |  |  |  |  |  |  |  |  |  |  |  |  |  |  |  |  |  |  |  |  |  |  |  |
|                  |               | Enabled   | 1     | Read: Enabled   |  |  |  |  |  |  |  |  |  |  |  |  |  |  |  |  |  |  |  |  |  |  |  |  |  |
| E                | RW DISABLED   |   |       | Write '1' to disable interrupt for event <a href="#">DISABLED</a>         |  |  |  |  |  |  |  |  |  |  |  |  |  |  |  |  |  |  |  |  |  |  |  |  |  |
|                  |               | Clear   | 1     | Disable   |  |  |  |  |  |  |  |  |  |  |  |  |  |  |  |  |  |  |  |  |  |  |  |  |  |
|                  |               | Disabled  | 0     | Read: Disabled  |  |  |  |  |  |  |  |  |  |  |  |  |  |  |  |  |  |  |  |  |  |  |  |  |  |
|                  |               | Enabled   | 1     | Read: Enabled   |  |  |  |  |  |  |  |  |  |  |  |  |  |  |  |  |  |  |  |  |  |  |  |  |  |
| F                | RW DEVMATCH   |   |       | Write '1' to disable interrupt for event <a href="#">DEVMATCH</a>         |  |  |  |  |  |  |  |  |  |  |  |  |  |  |  |  |  |  |  |  |  |  |  |  |  |
|                  |               | Clear   | 1     | Disable   |  |  |  |  |  |  |  |  |  |  |  |  |  |  |  |  |  |  |  |  |  |  |  |  |  |
|                  |               | Disabled  | 0     | Read: Disabled  |  |  |  |  |  |  |  |  |  |  |  |  |  |  |  |  |  |  |  |  |  |  |  |  |  |
|                  |               | Enabled   | 1     | Read: Enabled   |  |  |  |  |  |  |  |  |  |  |  |  |  |  |  |  |  |  |  |  |  |  |  |  |  |
| G                | RW DEVMISS    |   |       | Write '1' to disable interrupt for event <a href="#">DEVMISS</a>          |  |  |  |  |  |  |  |  |  |  |  |  |  |  |  |  |  |  |  |  |  |  |  |  |  |
|                  |               | Clear   | 1     | Disable   |  |  |  |  |  |  |  |  |  |  |  |  |  |  |  |  |  |  |  |  |  |  |  |  |  |
|                  |               | Disabled  | 0     | Read: Disabled  |  |  |  |  |  |  |  |  |  |  |  |  |  |  |  |  |  |  |  |  |  |  |  |  |  |
|                  |               | Enabled   | 1     | Read: Enabled   |  |  |  |  |  |  |  |  |  |  |  |  |  |  |  |  |  |  |  |  |  |  |  |  |  |
| H                | RW RSSIEND    |   |       | Write '1' to disable interrupt for event <a href="#">RSSIEND</a>          |  |  |  |  |  |  |  |  |  |  |  |  |  |  |  |  |  |  |  |  |  |  |  |  |  |
|                  |               |   |       | A new RSSI sample is ready for readout from the RADIO.RSSISAMPLE register |  |  |  |  |  |  |  |  |  |  |  |  |  |  |  |  |  |  |  |  |  |  |  |  |  |
|                  |               | Clear   | 1     | Disable   |  |  |  |  |  |  |  |  |  |  |  |  |  |  |  |  |  |  |  |  |  |  |  |  |  |
|                  |               | Disabled  | 0     | Read: Disabled  |  |  |  |  |  |  |  |  |  |  |  |  |  |  |  |  |  |  |  |  |  |  |  |  |  |
|                  |               | Enabled   | 1     | Read: Enabled   |  |  |  |  |  |  |  |  |  |  |  |  |  |  |  |  |  |  |  |  |  |  |  |  |  |
| I                | RW BCMATCH    |   |       | Write '1' to disable interrupt for event <a href="#">BCMATCH</a>          |  |  |  |  |  |  |  |  |  |  |  |  |  |  |  |  |  |  |  |  |  |  |  |  |  |
|                  |               |   |       | Bit counter value is specified in the RADIO.BCC register                  |  |  |  |  |  |  |  |  |  |  |  |  |  |  |  |  |  |  |  |  |  |  |  |  |  |
|                  |               | Clear   | 1     | Disable   |  |  |  |  |  |  |  |  |  |  |  |  |  |  |  |  |  |  |  |  |  |  |  |  |  |
|                  |               | Disabled  | 0     | Read: Disabled  |  |  |  |  |  |  |  |  |  |  |  |  |  |  |  |  |  |  |  |  |  |  |  |  |  |
|                  |               | Enabled   | 1     | Read: Enabled   |  |  |  |  |  |  |  |  |  |  |  |  |  |  |  |  |  |  |  |  |  |  |  |  |  |
| K                | RW CRCOK      |   |       | Write '1' to disable interrupt for event <a href="#">CRCOK</a>            |  |  |  |  |  |  |  |  |  |  |  |  |  |  |  |  |  |  |  |  |  |  |  |  |  |
|                  |               | Clear   | 1     | Disable   |  |  |  |  |  |  |  |  |  |  |  |  |  |  |  |  |  |  |  |  |  |  |  |  |  |
|                  |               | Disabled  | 0     | Read: Disabled  |  |  |  |  |  |  |  |  |  |  |  |  |  |  |  |  |  |  |  |  |  |  |  |  |  |
|                  |               | Enabled   | 1     | Read: Enabled   |  |  |  |  |  |  |  |  |  |  |  |  |  |  |  |  |  |  |  |  |  |  |  |  |  |
| L                | RW CRCERROR   |   |       | Write '1' to disable interrupt for event <a href="#">CRCERROR</a>         |  |  |  |  |  |  |  |  |  |  |  |  |  |  |  |  |  |  |  |  |  |  |  |  |  |
|                  |               | Clear   | 1     | Disable   |  |  |  |  |  |  |  |  |  |  |  |  |  |  |  |  |  |  |  |  |  |  |  |  |  |
|                  |               | Disabled  | 0     | Read: Disabled  |  |  |  |  |  |  |  |  |  |  |  |  |  |  |  |  |  |  |  |  |  |  |  |  |  |
|                  |               | Enabled   | 1     | Read: Enabled   |  |  |  |  |  |  |  |  |  |  |  |  |  |  |  |  |  |  |  |  |  |  |  |  |  |
| M                | RW FRAMESTART |   |       | Write '1' to disable interrupt for event <a href="#">FRAMESTART</a>       |  |  |  |  |  |  |  |  |  |  |  |  |  |  |  |  |  |  |  |  |  |  |  |  |  |
|                  |               | Clear   | 1     | Disable   |  |  |  |  |  |  |  |  |  |  |  |  |  |  |  |  |  |  |  |  |  |  |  |  |  |
|                  |               | Disabled  | 0     | Read: Disabled  |  |  |  |  |  |  |  |  |  |  |  |  |  |  |  |  |  |  |  |  |  |  |  |  |  |
|                  |               | Enabled   | 1     | Read: Enabled   |  |  |  |  |  |  |  |  |  |  |  |  |  |  |  |  |  |  |  |  |  |  |  |  |  |
| N                | RW EDEND      |   |       | Write '1' to disable interrupt for event <a href="#">EDEND</a>            |  |  |  |  |  |  |  |  |  |  |  |  |  |  |  |  |  |  |  |  |  |  |  |  |  |
|                  |               | Clear   | 1     | Disable   |  |  |  |  |  |  |  |  |  |  |  |  |  |  |  |  |  |  |  |  |  |  |  |  |  |
|                  |               | Disabled  | 0     | Read: Disabled  |  |  |  |  |  |  |  |  |  |  |  |  |  |  |  |  |  |  |  |  |  |  |  |  |  |
|                  |               | Enabled   | 1     | Read: Enabled   |  |  |  |  |  |  |  |  |  |  |  |  |  |  |  |  |  |  |  |  |  |  |  |  |  |
| O                | RW EDSTOPPED  |   |       | Write '1' to disable interrupt for event <a href="#">EDSTOPPED</a>        |  |  |  |  |  |  |  |  |  |  |  |  |  |  |  |  |  |  |  |  |  |  |  |  |  |

| Bit number       |               | 31 30 29 28 27 26 25 24 23 22 21 20 19 18 17 16 15 14 13 12 11 10 9 8 7 6 5 4 3 2 1 0 |       |  |  |  |  |  |  |  |  |  |  |  |  |  |  |  |  |   |  |                 |  |
|------------------|---------------|---|-------|--|--|--|--|--|--|--|--|--|--|--|--|--|--|--|--|---|--|-----------------|--|
| ID               |               | Z Y   |       | V U T S R Q P O N M L K  |  |  |  |  |  |  |  |  |  |  |  |  |  |  |  | I |  | H G F E D C B A |  |
| Reset 0x00000000 |               | 0                           |       |  |  |  |  |  |  |  |  |  |  |  |  |  |  |  |  |   |  |                 |  |
| ID               | Acce Field    | Value ID  | Value | Description  |  |  |  |  |  |  |  |  |  |  |  |  |  |  |  |   |  |                 |  |
|                  |               | Clear   | 1     | Disable  |  |  |  |  |  |  |  |  |  |  |  |  |  |  |  |   |  |                 |  |
|                  |               | Disabled  | 0     | Read: Disabled   |  |  |  |  |  |  |  |  |  |  |  |  |  |  |  |   |  |                 |  |
|                  |               | Enabled   | 1     | Read: Enabled  |  |  |  |  |  |  |  |  |  |  |  |  |  |  |  |   |  |                 |  |
| P                | RW CCAIDLE    |   |       | Write '1' to disable interrupt for event CCAIDLE   |  |  |  |  |  |  |  |  |  |  |  |  |  |  |  |   |  |                 |  |
|                  |               | Clear   | 1     | Disable  |  |  |  |  |  |  |  |  |  |  |  |  |  |  |  |   |  |                 |  |
|                  |               | Disabled  | 0     | Read: Disabled   |  |  |  |  |  |  |  |  |  |  |  |  |  |  |  |   |  |                 |  |
|                  |               | Enabled   | 1     | Read: Enabled  |  |  |  |  |  |  |  |  |  |  |  |  |  |  |  |   |  |                 |  |
| Q                | RW CCABUSY    |   |       | Write '1' to disable interrupt for event CCABUSY   |  |  |  |  |  |  |  |  |  |  |  |  |  |  |  |   |  |                 |  |
|                  |               | Clear   | 1     | Disable  |  |  |  |  |  |  |  |  |  |  |  |  |  |  |  |   |  |                 |  |
|                  |               | Disabled  | 0     | Read: Disabled   |  |  |  |  |  |  |  |  |  |  |  |  |  |  |  |   |  |                 |  |
|                  |               | Enabled   | 1     | Read: Enabled  |  |  |  |  |  |  |  |  |  |  |  |  |  |  |  |   |  |                 |  |
| R                | RW CCASTOPPED |   |       | Write '1' to disable interrupt for event CCASTOPPED  |  |  |  |  |  |  |  |  |  |  |  |  |  |  |  |   |  |                 |  |
|                  |               | Clear   | 1     | Disable  |  |  |  |  |  |  |  |  |  |  |  |  |  |  |  |   |  |                 |  |
|                  |               | Disabled  | 0     | Read: Disabled   |  |  |  |  |  |  |  |  |  |  |  |  |  |  |  |   |  |                 |  |
|                  |               | Enabled   | 1     | Read: Enabled  |  |  |  |  |  |  |  |  |  |  |  |  |  |  |  |   |  |                 |  |
| S                | RW RATEBOOST  |   |       | Write '1' to disable interrupt for event RATEBOOST   |  |  |  |  |  |  |  |  |  |  |  |  |  |  |  |   |  |                 |  |
|                  |               |   |       | Ble_LR CI field received, receive mode is changed from Ble_LR125Kbit to Ble_LR500Kbit.   |  |  |  |  |  |  |  |  |  |  |  |  |  |  |  |   |  |                 |  |
|                  |               | Clear   | 1     | Disable  |  |  |  |  |  |  |  |  |  |  |  |  |  |  |  |   |  |                 |  |
|                  |               | Disabled  | 0     | Read: Disabled   |  |  |  |  |  |  |  |  |  |  |  |  |  |  |  |   |  |                 |  |
|                  |               | Enabled   | 1     | Read: Enabled  |  |  |  |  |  |  |  |  |  |  |  |  |  |  |  |   |  |                 |  |
| T                | RW TXREADY    |   |       | Write '1' to disable interrupt for event TXREADY   |  |  |  |  |  |  |  |  |  |  |  |  |  |  |  |   |  |                 |  |
|                  |               | Clear   | 1     | Disable  |  |  |  |  |  |  |  |  |  |  |  |  |  |  |  |   |  |                 |  |
|                  |               | Disabled  | 0     | Read: Disabled   |  |  |  |  |  |  |  |  |  |  |  |  |  |  |  |   |  |                 |  |
|                  |               | Enabled   | 1     | Read: Enabled  |  |  |  |  |  |  |  |  |  |  |  |  |  |  |  |   |  |                 |  |
| U                | RW RXREADY    |   |       | Write '1' to disable interrupt for event RXREADY   |  |  |  |  |  |  |  |  |  |  |  |  |  |  |  |   |  |                 |  |
|                  |               | Clear   | 1     | Disable  |  |  |  |  |  |  |  |  |  |  |  |  |  |  |  |   |  |                 |  |
|                  |               | Disabled  | 0     | Read: Disabled   |  |  |  |  |  |  |  |  |  |  |  |  |  |  |  |   |  |                 |  |
|                  |               | Enabled   | 1     | Read: Enabled  |  |  |  |  |  |  |  |  |  |  |  |  |  |  |  |   |  |                 |  |
| V                | RW MHRMATCH   |   |       | Write '1' to disable interrupt for event MHRMATCH  |  |  |  |  |  |  |  |  |  |  |  |  |  |  |  |   |  |                 |  |
|                  |               | Clear   | 1     | Disable  |  |  |  |  |  |  |  |  |  |  |  |  |  |  |  |   |  |                 |  |
|                  |               | Disabled  | 0     | Read: Disabled   |  |  |  |  |  |  |  |  |  |  |  |  |  |  |  |   |  |                 |  |
|                  |               | Enabled   | 1     | Read: Enabled  |  |  |  |  |  |  |  |  |  |  |  |  |  |  |  |   |  |                 |  |
| Y                | RW SYNC       |   |       | Write '1' to disable interrupt for event SYNC  |  |  |  |  |  |  |  |  |  |  |  |  |  |  |  |   |  |                 |  |
|                  |               |   |       | A possible preamble has been received in Ble_LR125Kbit, Ble_LR500Kbit or leee802154_250Kbit modes during an RX transaction. False triggering of the event is possible. |  |  |  |  |  |  |  |  |  |  |  |  |  |  |  |   |  |                 |  |
|                  |               | Clear   | 1     | Disable  |  |  |  |  |  |  |  |  |  |  |  |  |  |  |  |   |  |                 |  |
|                  |               | Disabled  | 0     | Read: Disabled   |  |  |  |  |  |  |  |  |  |  |  |  |  |  |  |   |  |                 |  |
|                  |               | Enabled   | 1     | Read: Enabled  |  |  |  |  |  |  |  |  |  |  |  |  |  |  |  |   |  |                 |  |
| Z                | RW PHYEND     |   |       | Write '1' to disable interrupt for event PHYEND  |  |  |  |  |  |  |  |  |  |  |  |  |  |  |  |   |  |                 |  |
|                  |               | Clear   | 1     | Disable  |  |  |  |  |  |  |  |  |  |  |  |  |  |  |  |   |  |                 |  |
|                  |               | Disabled  | 0     | Read: Disabled   |  |  |  |  |  |  |  |  |  |  |  |  |  |  |  |   |  |                 |  |
|                  |               | Enabled   | 1     | Read: Enabled  |  |  |  |  |  |  |  |  |  |  |  |  |  |  |  |   |  |                 |  |

## 6.20.14.40 CRCSTATUS

Address offset: 0x400

CRC status

| Bit number              | 31  | 30        | 29    | 28                             | 27 | 26 | 25 | 24 | 23 | 22 | 21 | 20 | 19 | 18 | 17 | 16 | 15 | 14 | 13 | 12 | 11 | 10 | 9 | 8 | 7 | 6 | 5 | 4 | 3 | 2 | 1 | 0 |
|-------------------------|---|-----------|-------|--------------------------------|----|----|----|----|----|----|----|----|----|----|----|----|----|----|----|----|----|----|---|---|---|---|---|---|---|---|---|---|
| ID                      |   |           |       |                                |    |    |    |    |    |    |    |    |    |    |    |    |    |    |    |    |    |    |   |   |   |   |   |   |   |   |   | A |
| <b>Reset 0x00000000</b> | 0 |           |       |                                |    |    |    |    |    |    |    |    |    |    |    |    |    |    |    |    |    |    |   |   |   |   |   |   |   |   |   |   |
| ID                      | Acce Field  | Value ID  | Value | Description                    |    |    |    |    |    |    |    |    |    |    |    |    |    |    |    |    |    |    |   |   |   |   |   |   |   |   |   |   |
| A                       | R   | CRCSTATUS |       | CRC status of packet received  |    |    |    |    |    |    |    |    |    |    |    |    |    |    |    |    |    |    |   |   |   |   |   |   |   |   |   |   |
|                         |   | CRCError  | 0     | Packet received with CRC error |    |    |    |    |    |    |    |    |    |    |    |    |    |    |    |    |    |    |   |   |   |   |   |   |   |   |   |   |
|                         |   | CRCOk     | 1     | Packet received with CRC ok    |    |    |    |    |    |    |    |    |    |    |    |    |    |    |    |    |    |    |   |   |   |   |   |   |   |   |   |   |

### 6.20.14.41 RXMATCH

Address offset: 0x408

Received address

| Bit number              | 31  | 30       | 29    | 28  | 27 | 26 | 25 | 24 | 23 | 22 | 21 | 20 | 19 | 18 | 17 | 16 | 15 | 14 | 13 | 12 | 11 | 10 | 9 | 8 | 7 | 6 | 5 | 4 | 3 | 2 | 1 | 0 |   |   |
|-------------------------|---|----------|-------|---|----|----|----|----|----|----|----|----|----|----|----|----|----|----|----|----|----|----|---|---|---|---|---|---|---|---|---|---|---|---|
| ID                      |   |          |       |   |    |    |    |    |    |    |    |    |    |    |    |    |    |    |    |    |    |    |   |   |   |   |   |   |   |   |   | A | A | A |
| <b>Reset 0x00000000</b> | 0 |          |       |   |    |    |    |    |    |    |    |    |    |    |    |    |    |    |    |    |    |    |   |   |   |   |   |   |   |   |   |   |   |   |
| ID                      | Acce Field  | Value ID | Value | Description   |    |    |    |    |    |    |    |    |    |    |    |    |    |    |    |    |    |    |   |   |   |   |   |   |   |   |   |   |   |   |
| A                       | R   | RXMATCH  |       | Received address                                      |    |    |    |    |    |    |    |    |    |    |    |    |    |    |    |    |    |    |   |   |   |   |   |   |   |   |   |   |   |   |
|                         |   |          |       | Logical address of which previous packet was received |    |    |    |    |    |    |    |    |    |    |    |    |    |    |    |    |    |    |   |   |   |   |   |   |   |   |   |   |   |   |

### 6.20.14.42 RXCRC

Address offset: 0x40C

CRC field of previously received packet

| Bit number              | 31  | 30       | 29    | 28                                      | 27 | 26 | 25 | 24 | 23 | 22 | 21 | 20 | 19 | 18 | 17 | 16 | 15 | 14 | 13 | 12 | 11 | 10 | 9 | 8 | 7 | 6 | 5 | 4 | 3 | 2 | 1 | 0 |   |   |   |   |
|-------------------------|---|----------|-------|---|----|----|----|----|----|----|----|----|----|----|----|----|----|----|----|----|----|----|---|---|---|---|---|---|---|---|---|---|---|---|---|---|
| ID                      |   |          |       |   |    |    |    |    |    |    | A  | A  | A  | A  | A  | A  | A  | A  | A  | A  | A  | A  | A | A | A | A | A | A | A | A | A | A | A | A | A | A |
| <b>Reset 0x00000000</b> | 0 |          |       |   |    |    |    |    |    |    |    |    |    |    |    |    |    |    |    |    |    |    |   |   |   |   |   |   |   |   |   |   |   |   |   |   |
| ID                      | Acce Field  | Value ID | Value | Description                             |    |    |    |    |    |    |    |    |    |    |    |    |    |    |    |    |    |    |   |   |   |   |   |   |   |   |   |   |   |   |   |   |
| A                       | R   | RXCRC    |       | CRC field of previously received packet |    |    |    |    |    |    |    |    |    |    |    |    |    |    |    |    |    |    |   |   |   |   |   |   |   |   |   |   |   |   |   |   |
|                         |   |          |       | CRC field of previously received packet |    |    |    |    |    |    |    |    |    |    |    |    |    |    |    |    |    |    |   |   |   |   |   |   |   |   |   |   |   |   |   |   |

### 6.20.14.43 DAI

Address offset: 0x410

Device address match index

| Bit number              | 31  | 30       | 29    | 28  | 27 | 26 | 25 | 24 | 23 | 22 | 21 | 20 | 19 | 18 | 17 | 16 | 15 | 14 | 13 | 12 | 11 | 10 | 9 | 8 | 7 | 6 | 5 | 4 | 3 | 2 | 1 | 0 |
|-------------------------|---|----------|-------|---|----|----|----|----|----|----|----|----|----|----|----|----|----|----|----|----|----|----|---|---|---|---|---|---|---|---|---|---|
| ID                      |   |          |       |   |    |    |    |    |    |    |    |    |    |    |    |    |    |    |    |    |    |    |   |   |   |   |   |   | A | A | A |   |
| <b>Reset 0x00000000</b> | 0 |          |       |   |    |    |    |    |    |    |    |    |    |    |    |    |    |    |    |    |    |    |   |   |   |   |   |   |   |   |   |   |
| ID                      | Acce Field  | Value ID | Value | Description   |    |    |    |    |    |    |    |    |    |    |    |    |    |    |    |    |    |    |   |   |   |   |   |   |   |   |   |   |
| A                       | R   | DAI      |       | Device address match index  |    |    |    |    |    |    |    |    |    |    |    |    |    |    |    |    |    |    |   |   |   |   |   |   |   |   |   |   |
|                         |   |          |       | Index (n) of device address, see DAB[n] and DAP[n], that got an address match |    |    |    |    |    |    |    |    |    |    |    |    |    |    |    |    |    |    |   |   |   |   |   |   |   |   |   |   |

### 6.20.14.44 PDUSTAT

Address offset: 0x414

Payload status

| Bit number              | 31 30 29 28 27 26 25 24 23 22 21 20 19 18 17 16 15 14 13 12 11 10 9 8 7 6 5 4 3 2 1 0      |          |             |   |                                   |  |  |  |  |  |  |  |  |  |  |  |  |  |  |  |  |  |  |  |  |  |  |  |  |  |   |   |   |
|-------------------------|--|----------|-------------|---|-----------------------------------|--|--|--|--|--|--|--|--|--|--|--|--|--|--|--|--|--|--|--|--|--|--|--|--|--|---|---|---|
| ID                      |  |          |             |   |                                   |  |  |  |  |  |  |  |  |  |  |  |  |  |  |  |  |  |  |  |  |  |  |  |  |  | B | B | A |
| <b>Reset 0x00000000</b> | <b>0 0</b> |          |             |   |                                   |  |  |  |  |  |  |  |  |  |  |  |  |  |  |  |  |  |  |  |  |  |  |  |  |  |   |   |   |
| ID                      | Acce Field   | Value ID | Value       | Description   |                                   |  |  |  |  |  |  |  |  |  |  |  |  |  |  |  |  |  |  |  |  |  |  |  |  |  |   |   |   |
| A                       | R  | PDUSTAT  |             | Status on payload length vs. PCNF1.MAXLEN                 |                                   |  |  |  |  |  |  |  |  |  |  |  |  |  |  |  |  |  |  |  |  |  |  |  |  |  |   |   |   |
|                         |  |          | LessThan    | 0   | Payload less than PCNF1.MAXLEN    |  |  |  |  |  |  |  |  |  |  |  |  |  |  |  |  |  |  |  |  |  |  |  |  |  |   |   |   |
|                         |  |          | GreaterThan | 1   | Payload greater than PCNF1.MAXLEN |  |  |  |  |  |  |  |  |  |  |  |  |  |  |  |  |  |  |  |  |  |  |  |  |  |   |   |   |
| B                       | R  | CISTAT   |             | Status on what rate packet is received with in Long Range |                                   |  |  |  |  |  |  |  |  |  |  |  |  |  |  |  |  |  |  |  |  |  |  |  |  |  |   |   |   |
|                         |  |          | LR125kbit   | 0   | Frame is received at 125kbps      |  |  |  |  |  |  |  |  |  |  |  |  |  |  |  |  |  |  |  |  |  |  |  |  |  |   |   |   |
|                         |  |          | LR500kbit   | 1   | Frame is received at 500kbps      |  |  |  |  |  |  |  |  |  |  |  |  |  |  |  |  |  |  |  |  |  |  |  |  |  |   |   |   |

### 6.20.14.45 PACKETPTR

Address offset: 0x504

Packet pointer

| Bit number              | 31 30 29 28 27 26 25 24 23 22 21 20 19 18 17 16 15 14 13 12 11 10 9 8 7 6 5 4 3 2 1 0      |           |       |   |  |  |  |  |  |  |  |  |  |  |  |  |  |  |  |  |  |  |  |  |  |  |  |  |  |  |   |   |   |
|-------------------------|--|-----------|-------|---|--|--|--|--|--|--|--|--|--|--|--|--|--|--|--|--|--|--|--|--|--|--|--|--|--|--|---|---|---|
| ID                      | A  |           |       |   |  |  |  |  |  |  |  |  |  |  |  |  |  |  |  |  |  |  |  |  |  |  |  |  |  |  | A | A | A |
| <b>Reset 0x00000000</b> | <b>0 0</b> |           |       |   |  |  |  |  |  |  |  |  |  |  |  |  |  |  |  |  |  |  |  |  |  |  |  |  |  |  |   |   |   |
| ID                      | Acce Field   | Value ID  | Value | Description   |  |  |  |  |  |  |  |  |  |  |  |  |  |  |  |  |  |  |  |  |  |  |  |  |  |  |   |   |   |
| A                       | RW   | PACKETPTR |       | Packet pointer  |  |  |  |  |  |  |  |  |  |  |  |  |  |  |  |  |  |  |  |  |  |  |  |  |  |  |   |   |   |
|                         |  |           |       | Packet address to be used for the next transmission or reception. When transmitting, the packet pointed to by this address will be transmitted and when receiving, the received packet will be written to this address. This address is a byte aligned RAM address. |  |  |  |  |  |  |  |  |  |  |  |  |  |  |  |  |  |  |  |  |  |  |  |  |  |  |   |   |   |

**Note:** See the memory chapter for details about which memories are available for EasyDMA.

### 6.20.14.46 FREQUENCY

Address offset: 0x508

Frequency

| Bit number              | 31 30 29 28 27 26 25 24 23 22 21 20 19 18 17 16 15 14 13 12 11 10 9 8 7 6 5 4 3 2 1 0  |           |                                     |                                    |  |  |  |  |  |  |  |  |  |  |  |  |  |  |  |  |  |  |  |  |  |  |  |  |   |   |   |   |   |   |   |
|-------------------------|--|-----------|-------------------------------------|------------------------------------|--|--|--|--|--|--|--|--|--|--|--|--|--|--|--|--|--|--|--|--|--|--|--|--|---|---|---|---|---|---|---|
| ID                      |  |           |                                     |                                    |  |  |  |  |  |  |  |  |  |  |  |  |  |  |  |  |  |  |  |  |  |  |  |  | B | A | A | A | A | A | A |
| <b>Reset 0x00000002</b> | <b>0 1 0</b> |           |                                     |                                    |  |  |  |  |  |  |  |  |  |  |  |  |  |  |  |  |  |  |  |  |  |  |  |  |   |   |   |   |   |   |   |
| ID                      | Acce Field   | Value ID  | Value                               | Description                        |  |  |  |  |  |  |  |  |  |  |  |  |  |  |  |  |  |  |  |  |  |  |  |  |   |   |   |   |   |   |   |
| A                       | RW   | FREQUENCY | [0..100]                            | Radio channel frequency            |  |  |  |  |  |  |  |  |  |  |  |  |  |  |  |  |  |  |  |  |  |  |  |  |   |   |   |   |   |   |   |
|                         |  |           | Frequency = 2400 + FREQUENCY (MHz). |                                    |  |  |  |  |  |  |  |  |  |  |  |  |  |  |  |  |  |  |  |  |  |  |  |  |   |   |   |   |   |   |   |
| B                       | RW   | MAP       |                                     | Channel map selection.             |  |  |  |  |  |  |  |  |  |  |  |  |  |  |  |  |  |  |  |  |  |  |  |  |   |   |   |   |   |   |   |
|                         |  |           | Default                             | 0                                  | Channel map between 2400 MHz .. 2500 MHz |  |  |  |  |  |  |  |  |  |  |  |  |  |  |  |  |  |  |  |  |  |  |  |   |   |   |   |   |   |   |
|                         |  |           |                                     |                                    | Frequency = 2400 + FREQUENCY (MHz)       |  |  |  |  |  |  |  |  |  |  |  |  |  |  |  |  |  |  |  |  |  |  |  |   |   |   |   |   |   |   |
|                         |  |           | Low                                 | 1                                  | Channel map between 2360 MHz .. 2460 MHz |  |  |  |  |  |  |  |  |  |  |  |  |  |  |  |  |  |  |  |  |  |  |  |   |   |   |   |   |   |   |
|                         |  |           |                                     | Frequency = 2360 + FREQUENCY (MHz) |  |  |  |  |  |  |  |  |  |  |  |  |  |  |  |  |  |  |  |  |  |  |  |  |   |   |   |   |   |   |   |

### 6.20.14.47 TXPOWER

Address offset: 0x50C

Output power

| Bit number              | 31   | 30      | 29       | 28    | 27  | 26 | 25 | 24 | 23 | 22 | 21 | 20 | 19 | 18 | 17 | 16 | 15 | 14 | 13 | 12 | 11 | 10 | 9 | 8 | 7 | 6 | 5 | 4 | 3 | 2 | 1 | 0 |   |   |   |   |   |   |   |   |   |   |   |   |   |   |   |   |   |   |   |   |   |   |   |   |   |
|-------------------------|------|---------|----------|-------|---|----|----|----|----|----|----|----|----|----|----|----|----|----|----|----|----|----|---|---|---|---|---|---|---|---|---|---|---|---|---|---|---|---|---|---|---|---|---|---|---|---|---|---|---|---|---|---|---|---|---|---|---|
| ID                      |      |         |          |       |   |    |    |    |    |    |    |    |    |    |    |    |    |    |    |    |    |    |   |   |   |   |   | A | A | A | A | A | A | A | A | A | A | A | A | A | A | A | A | A | A | A | A | A | A | A | A | A | A | A | A | A | A |
| <b>Reset 0x00000000</b> | 0    |         |          |       |   |    |    |    |    |    |    |    |    |    |    |    |    |    |    |    |    |    |   |   |   |   |   | 0 | 0 | 0 | 0 | 0 | 0 | 0 | 0 | 0 | 0 | 0 | 0 | 0 | 0 | 0 | 0 | 0 | 0 | 0 | 0 | 0 | 0 | 0 | 0 | 0 | 0 | 0 | 0 | 0 | 0 |
| ID                      | Acce | Field   | Value ID | Value | Description   |    |    |    |    |    |    |    |    |    |    |    |    |    |    |    |    |    |   |   |   |   |   |   |   |   |   |   |   |   |   |   |   |   |   |   |   |   |   |   |   |   |   |   |   |   |   |   |   |   |   |   |   |
| A                       | RW   | TXPOWER |          |       | <b>RADIO output power</b>   |    |    |    |    |    |    |    |    |    |    |    |    |    |    |    |    |    |   |   |   |   |   |   |   |   |   |   |   |   |   |   |   |   |   |   |   |   |   |   |   |   |   |   |   |   |   |   |   |   |   |   |   |
|                         |      |         |          |       | Output power in number of dBm, i.e. if the value -20 is specified the output power will be set to -20dBm. |    |    |    |    |    |    |    |    |    |    |    |    |    |    |    |    |    |   |   |   |   |   |   |   |   |   |   |   |   |   |   |   |   |   |   |   |   |   |   |   |   |   |   |   |   |   |   |   |   |   |   |   |
|                         |      |         | Pos8dBm  | 0x8   | +8 dBm  |    |    |    |    |    |    |    |    |    |    |    |    |    |    |    |    |    |   |   |   |   |   |   |   |   |   |   |   |   |   |   |   |   |   |   |   |   |   |   |   |   |   |   |   |   |   |   |   |   |   |   |   |
|                         |      |         | Pos7dBm  | 0x7   | +7 dBm  |    |    |    |    |    |    |    |    |    |    |    |    |    |    |    |    |    |   |   |   |   |   |   |   |   |   |   |   |   |   |   |   |   |   |   |   |   |   |   |   |   |   |   |   |   |   |   |   |   |   |   |   |
|                         |      |         | Pos6dBm  | 0x6   | +6 dBm  |    |    |    |    |    |    |    |    |    |    |    |    |    |    |    |    |    |   |   |   |   |   |   |   |   |   |   |   |   |   |   |   |   |   |   |   |   |   |   |   |   |   |   |   |   |   |   |   |   |   |   |   |
|                         |      |         | Pos5dBm  | 0x5   | +5 dBm  |    |    |    |    |    |    |    |    |    |    |    |    |    |    |    |    |    |   |   |   |   |   |   |   |   |   |   |   |   |   |   |   |   |   |   |   |   |   |   |   |   |   |   |   |   |   |   |   |   |   |   |   |
|                         |      |         | Pos4dBm  | 0x4   | +4 dBm  |    |    |    |    |    |    |    |    |    |    |    |    |    |    |    |    |    |   |   |   |   |   |   |   |   |   |   |   |   |   |   |   |   |   |   |   |   |   |   |   |   |   |   |   |   |   |   |   |   |   |   |   |
|                         |      |         | Pos3dBm  | 0x3   | +3 dBm  |    |    |    |    |    |    |    |    |    |    |    |    |    |    |    |    |    |   |   |   |   |   |   |   |   |   |   |   |   |   |   |   |   |   |   |   |   |   |   |   |   |   |   |   |   |   |   |   |   |   |   |   |
|                         |      |         | Pos2dBm  | 0x2   | +2 dBm  |    |    |    |    |    |    |    |    |    |    |    |    |    |    |    |    |    |   |   |   |   |   |   |   |   |   |   |   |   |   |   |   |   |   |   |   |   |   |   |   |   |   |   |   |   |   |   |   |   |   |   |   |
|                         |      |         | 0dBm     | 0x0   | 0 dBm   |    |    |    |    |    |    |    |    |    |    |    |    |    |    |    |    |    |   |   |   |   |   |   |   |   |   |   |   |   |   |   |   |   |   |   |   |   |   |   |   |   |   |   |   |   |   |   |   |   |   |   |   |
|                         |      |         | Neg4dBm  | 0xFC  | -4 dBm  |    |    |    |    |    |    |    |    |    |    |    |    |    |    |    |    |    |   |   |   |   |   |   |   |   |   |   |   |   |   |   |   |   |   |   |   |   |   |   |   |   |   |   |   |   |   |   |   |   |   |   |   |
|                         |      |         | Neg8dBm  | 0xF8  | -8 dBm  |    |    |    |    |    |    |    |    |    |    |    |    |    |    |    |    |    |   |   |   |   |   |   |   |   |   |   |   |   |   |   |   |   |   |   |   |   |   |   |   |   |   |   |   |   |   |   |   |   |   |   |   |
|                         |      |         | Neg12dBm | 0xF4  | -12 dBm   |    |    |    |    |    |    |    |    |    |    |    |    |    |    |    |    |    |   |   |   |   |   |   |   |   |   |   |   |   |   |   |   |   |   |   |   |   |   |   |   |   |   |   |   |   |   |   |   |   |   |   |   |
|                         |      |         | Neg16dBm | 0xF0  | -16 dBm   |    |    |    |    |    |    |    |    |    |    |    |    |    |    |    |    |    |   |   |   |   |   |   |   |   |   |   |   |   |   |   |   |   |   |   |   |   |   |   |   |   |   |   |   |   |   |   |   |   |   |   |   |
|                         |      |         | Neg20dBm | 0xEC  | -20 dBm   |    |    |    |    |    |    |    |    |    |    |    |    |    |    |    |    |    |   |   |   |   |   |   |   |   |   |   |   |   |   |   |   |   |   |   |   |   |   |   |   |   |   |   |   |   |   |   |   |   |   |   |   |
|                         |      |         | Neg30dBm | 0xE2  | -40 dBm   |    |    |    |    |    |    |    |    |    |    |    |    |    |    |    |    |    |   |   |   |   |   |   |   |   |   |   |   |   |   |   |   |   |   |   |   |   |   |   |   |   |   |   |   |   |   |   |   |   |   |   |   |
|                         |      |         | Neg40dBm | 0xD8  | -40 dBm   |    |    |    |    |    |    |    |    |    |    |    |    |    |    |    |    |    |   |   |   |   |   |   |   |   |   |   |   |   |   |   |   |   |   |   |   |   |   |   |   |   |   |   |   |   |   |   |   |   |   |   |   |

Deprecated

### 6.20.14.48 MODE

Address offset: 0x510

Data rate and modulation

| Bit number              | 31   | 30    | 29                 | 28    | 27   | 26 | 25 | 24 | 23 | 22 | 21 | 20 | 19 | 18 | 17 | 16 | 15 | 14 | 13 | 12 | 11 | 10 | 9 | 8 | 7 | 6 | 5 | 4 | 3 | 2 | 1 | 0 |   |   |   |   |   |   |   |   |   |   |   |   |   |   |   |   |   |   |   |   |   |   |   |   |   |
|-------------------------|------|-------|--------------------|-------|--|----|----|----|----|----|----|----|----|----|----|----|----|----|----|----|----|----|---|---|---|---|---|---|---|---|---|---|---|---|---|---|---|---|---|---|---|---|---|---|---|---|---|---|---|---|---|---|---|---|---|---|---|
| ID                      |      |       |                    |       |  |    |    |    |    |    |    |    |    |    |    |    |    |    |    |    |    |    |   |   |   |   |   | A | A | A | A | A | A | A | A | A | A | A | A | A | A | A | A | A | A | A | A | A | A | A | A | A | A | A | A | A |   |
| <b>Reset 0x00000000</b> | 0    |       |                    |       |  |    |    |    |    |    |    |    |    |    |    |    |    |    |    |    |    |    |   |   |   |   |   | 0 | 0 | 0 | 0 | 0 | 0 | 0 | 0 | 0 | 0 | 0 | 0 | 0 | 0 | 0 | 0 | 0 | 0 | 0 | 0 | 0 | 0 | 0 | 0 | 0 | 0 | 0 | 0 | 0 | 0 |
| ID                      | Acce | Field | Value ID           | Value | Description  |    |    |    |    |    |    |    |    |    |    |    |    |    |    |    |    |    |   |   |   |   |   |   |   |   |   |   |   |   |   |   |   |   |   |   |   |   |   |   |   |   |   |   |   |   |   |   |   |   |   |   |   |
| A                       | RW   | MODE  |                    |       | <b>Radio data rate and modulation setting. The radio supports frequency-shift keying (FSK) modulation.</b> |    |    |    |    |    |    |    |    |    |    |    |    |    |    |    |    |    |   |   |   |   |   |   |   |   |   |   |   |   |   |   |   |   |   |   |   |   |   |   |   |   |   |   |   |   |   |   |   |   |   |   |   |
|                         |      |       | Nrf_1Mbit          | 0     | 1 Mbit/s Nordic proprietary radio mode   |    |    |    |    |    |    |    |    |    |    |    |    |    |    |    |    |    |   |   |   |   |   |   |   |   |   |   |   |   |   |   |   |   |   |   |   |   |   |   |   |   |   |   |   |   |   |   |   |   |   |   |   |
|                         |      |       | Nrf_2Mbit          | 1     | 2 Mbit/s Nordic proprietary radio mode   |    |    |    |    |    |    |    |    |    |    |    |    |    |    |    |    |    |   |   |   |   |   |   |   |   |   |   |   |   |   |   |   |   |   |   |   |   |   |   |   |   |   |   |   |   |   |   |   |   |   |   |   |
|                         |      |       | Ble_1Mbit          | 3     | 1 Mbit/s BLE   |    |    |    |    |    |    |    |    |    |    |    |    |    |    |    |    |    |   |   |   |   |   |   |   |   |   |   |   |   |   |   |   |   |   |   |   |   |   |   |   |   |   |   |   |   |   |   |   |   |   |   |   |
|                         |      |       | Ble_2Mbit          | 4     | 2 Mbit/s BLE   |    |    |    |    |    |    |    |    |    |    |    |    |    |    |    |    |    |   |   |   |   |   |   |   |   |   |   |   |   |   |   |   |   |   |   |   |   |   |   |   |   |   |   |   |   |   |   |   |   |   |   |   |
|                         |      |       | Ble_LR125Kbit      | 5     | Long range 125 kbit/s TX, 125 kbit/s and 500 kbit/s RX   |    |    |    |    |    |    |    |    |    |    |    |    |    |    |    |    |    |   |   |   |   |   |   |   |   |   |   |   |   |   |   |   |   |   |   |   |   |   |   |   |   |   |   |   |   |   |   |   |   |   |   |   |
|                         |      |       | Ble_LR500Kbit      | 6     | Long range 500 kbit/s TX, 125 kbit/s and 500 kbit/s RX   |    |    |    |    |    |    |    |    |    |    |    |    |    |    |    |    |    |   |   |   |   |   |   |   |   |   |   |   |   |   |   |   |   |   |   |   |   |   |   |   |   |   |   |   |   |   |   |   |   |   |   |   |
|                         |      |       | ieee802154_250Kbit | 15    | IEEE 802.15.4-2006 250 kbit/s  |    |    |    |    |    |    |    |    |    |    |    |    |    |    |    |    |    |   |   |   |   |   |   |   |   |   |   |   |   |   |   |   |   |   |   |   |   |   |   |   |   |   |   |   |   |   |   |   |   |   |   |   |

### 6.20.14.49 PCNFO

Address offset: 0x514

Packet configuration register 0

| Bit number              | 31   | 30    | 29       | 28    | 27  | 26 | 25 | 24 | 23 | 22 | 21 | 20 | 19 | 18 | 17 | 16 | 15 | 14 | 13 | 12 | 11 | 10 | 9 | 8 | 7 | 6 | 5 | 4 | 3 | 2 | 1 | 0 |   |   |   |   |   |   |   |   |   |   |   |   |   |   |   |   |   |   |   |   |   |   |   |   |   |   |
|-------------------------|------|-------|----------|-------|---|----|----|----|----|----|----|----|----|----|----|----|----|----|----|----|----|----|---|---|---|---|---|---|---|---|---|---|---|---|---|---|---|---|---|---|---|---|---|---|---|---|---|---|---|---|---|---|---|---|---|---|---|---|
| ID                      |      |       |          |       |   |    |    |    |    |    |    |    |    |    |    |    |    |    |    |    |    |    |   |   |   |   |   | J | J | I | H | H | G | G | F | E | E | E | E | C | A | A | A | A | A | A | A | A | A | A | A | A | A | A | A | A |   |   |
| <b>Reset 0x00000000</b> | 0    |       |          |       |   |    |    |    |    |    |    |    |    |    |    |    |    |    |    |    |    |    |   |   |   |   |   | 0 | 0 | 0 | 0 | 0 | 0 | 0 | 0 | 0 | 0 | 0 | 0 | 0 | 0 | 0 | 0 | 0 | 0 | 0 | 0 | 0 | 0 | 0 | 0 | 0 | 0 | 0 | 0 | 0 | 0 | 0 |
| ID                      | Acce | Field | Value ID | Value | Description   |    |    |    |    |    |    |    |    |    |    |    |    |    |    |    |    |    |   |   |   |   |   |   |   |   |   |   |   |   |   |   |   |   |   |   |   |   |   |   |   |   |   |   |   |   |   |   |   |   |   |   |   |   |
| A                       | RW   | LFLEN |          |       | <b>Length on air of LENGTH field in number of bits.</b> |    |    |    |    |    |    |    |    |    |    |    |    |    |    |    |    |    |   |   |   |   |   |   |   |   |   |   |   |   |   |   |   |   |   |   |   |   |   |   |   |   |   |   |   |   |   |   |   |   |   |   |   |   |



| Bit number       | 31 30 29 28 27 26 25 24 23 22 21 20 19 18 17 16 15 14 13 12 11 10 9 8 7 6 5 4 3 2 1 0 |         |           |       |  |  |  |  |  |  |           |  |  |  |  |  |  |  |  |  |           |  |  |  |  |  |  |  |  |  |   |         |  |  |  |  |  |  |  |  |  |
|------------------|---|---------|-----------|-------|--|--|--|--|--|--|-----------|--|--|--|--|--|--|--|--|--|-----------|--|--|--|--|--|--|--|--|--|---|---------|--|--|--|--|--|--|--|--|--|
| ID               | J J   |         |           |       |  |  |  |  |  |  | I H H G G |  |  |  |  |  |  |  |  |  | F E E E E |  |  |  |  |  |  |  |  |  | C | A A A A |  |  |  |  |  |  |  |  |  |
| Reset 0x00000000 | 0   |         |           |       |  |  |  |  |  |  |           |  |  |  |  |  |  |  |  |  |           |  |  |  |  |  |  |  |  |  |   |         |  |  |  |  |  |  |  |  |  |
| ID               | Acce  | Field   | Value ID  | Value | Description  |  |  |  |  |  |           |  |  |  |  |  |  |  |  |  |           |  |  |  |  |  |  |  |  |  |   |         |  |  |  |  |  |  |  |  |  |
| C                | RW  | SOLEN   |           |       | Length on air of S0 field in number of bytes.  |  |  |  |  |  |           |  |  |  |  |  |  |  |  |  |           |  |  |  |  |  |  |  |  |  |   |         |  |  |  |  |  |  |  |  |  |
| E                | RW  | S1LEN   |           |       | Length on air of S1 field in number of bits.   |  |  |  |  |  |           |  |  |  |  |  |  |  |  |  |           |  |  |  |  |  |  |  |  |  |   |         |  |  |  |  |  |  |  |  |  |
| F                | RW  | S1INCL  | Automatic | 0     | Include or exclude S1 field in RAM   |  |  |  |  |  |           |  |  |  |  |  |  |  |  |  |           |  |  |  |  |  |  |  |  |  |   |         |  |  |  |  |  |  |  |  |  |
|                  |   |         | Include   | 1     | Include S1 field in RAM only if S1LEN > 0<br>Always include S1 field in RAM independent of S1LEN |  |  |  |  |  |           |  |  |  |  |  |  |  |  |  |           |  |  |  |  |  |  |  |  |  |   |         |  |  |  |  |  |  |  |  |  |
| G                | RW  | CILEN   |           |       | Length of code indicator - long range  |  |  |  |  |  |           |  |  |  |  |  |  |  |  |  |           |  |  |  |  |  |  |  |  |  |   |         |  |  |  |  |  |  |  |  |  |
| H                | RW  | PLEN    |           |       | Length of preamble on air. Decision point: TASKS_START task                                      |  |  |  |  |  |           |  |  |  |  |  |  |  |  |  |           |  |  |  |  |  |  |  |  |  |   |         |  |  |  |  |  |  |  |  |  |
|                  |   |         | 8bit      | 0     | 8-bit preamble   |  |  |  |  |  |           |  |  |  |  |  |  |  |  |  |           |  |  |  |  |  |  |  |  |  |   |         |  |  |  |  |  |  |  |  |  |
|                  |   |         | 16bit     | 1     | 16-bit preamble  |  |  |  |  |  |           |  |  |  |  |  |  |  |  |  |           |  |  |  |  |  |  |  |  |  |   |         |  |  |  |  |  |  |  |  |  |
|                  |   |         | 32bitZero | 2     | 32-bit zero preamble - used for IEEE 802.15.4  |  |  |  |  |  |           |  |  |  |  |  |  |  |  |  |           |  |  |  |  |  |  |  |  |  |   |         |  |  |  |  |  |  |  |  |  |
| I                | RW  | CRCINC  |           |       | Indicates if LENGTH field contains CRC or not  |  |  |  |  |  |           |  |  |  |  |  |  |  |  |  |           |  |  |  |  |  |  |  |  |  |   |         |  |  |  |  |  |  |  |  |  |
|                  |   |         | Exclude   | 0     | LENGTH does not contain CRC  |  |  |  |  |  |           |  |  |  |  |  |  |  |  |  |           |  |  |  |  |  |  |  |  |  |   |         |  |  |  |  |  |  |  |  |  |
|                  |   |         | Include   | 1     | LENGTH includes CRC  |  |  |  |  |  |           |  |  |  |  |  |  |  |  |  |           |  |  |  |  |  |  |  |  |  |   |         |  |  |  |  |  |  |  |  |  |
| J                | RW  | TERMLEN |           |       | Length of TERM field in Long Range operation   |  |  |  |  |  |           |  |  |  |  |  |  |  |  |  |           |  |  |  |  |  |  |  |  |  |   |         |  |  |  |  |  |  |  |  |  |

### 6.20.14.50 PCNF1

Address offset: 0x518

Packet configuration register 1

| Bit number       | 31 30 29 28 27 26 25 24 23 22 21 20 19 18 17 16 15 14 13 12 11 10 9 8 7 6 5 4 3 2 1 0 |         |          |          |   |  |  |  |  |  |     |  |  |  |  |  |  |  |  |  |                     |  |  |  |  |  |  |  |  |  |                     |  |  |  |  |  |  |  |  |  |
|------------------|---|---------|----------|----------|---|--|--|--|--|--|-----|--|--|--|--|--|--|--|--|--|---------------------|--|--|--|--|--|--|--|--|--|---------------------|--|--|--|--|--|--|--|--|--|
| ID               |   |         |          |          |   |  |  |  |  |  | E D |  |  |  |  |  |  |  |  |  | C C C B B B B B B B |  |  |  |  |  |  |  |  |  | A A A A A A A A A A |  |  |  |  |  |  |  |  |  |
| Reset 0x00000000 | 0   |         |          |          |   |  |  |  |  |  |     |  |  |  |  |  |  |  |  |  |                     |  |  |  |  |  |  |  |  |  |                     |  |  |  |  |  |  |  |  |  |
| ID               | Acce  | Field   | Value ID | Value    | Description   |  |  |  |  |  |     |  |  |  |  |  |  |  |  |  |                     |  |  |  |  |  |  |  |  |  |                     |  |  |  |  |  |  |  |  |  |
| A                | RW  | MAXLEN  |          | [0..255] | Maximum length of packet payload. If the packet payload is larger than MAXLEN, the radio will truncate the payload to MAXLEN.   |  |  |  |  |  |     |  |  |  |  |  |  |  |  |  |                     |  |  |  |  |  |  |  |  |  |                     |  |  |  |  |  |  |  |  |  |
| B                | RW  | STATLEN |          | [0..255] | Static length in number of bytes  |  |  |  |  |  |     |  |  |  |  |  |  |  |  |  |                     |  |  |  |  |  |  |  |  |  |                     |  |  |  |  |  |  |  |  |  |
|                  |   |         |          |          | The static length parameter is added to the total length of the payload when sending and receiving packets, e.g. if the static length is set to N the radio will receive or send N bytes more than what is defined in the LENGTH field of the packet. |  |  |  |  |  |     |  |  |  |  |  |  |  |  |  |                     |  |  |  |  |  |  |  |  |  |                     |  |  |  |  |  |  |  |  |  |
| C                | RW  | BALEN   |          | [2..4]   | Base address length in number of bytes  |  |  |  |  |  |     |  |  |  |  |  |  |  |  |  |                     |  |  |  |  |  |  |  |  |  |                     |  |  |  |  |  |  |  |  |  |
|                  |   |         |          |          | The address field is composed of the base address and the one byte long address prefix, e.g. set BALEN=2 to get a total address of 3 bytes.   |  |  |  |  |  |     |  |  |  |  |  |  |  |  |  |                     |  |  |  |  |  |  |  |  |  |                     |  |  |  |  |  |  |  |  |  |
| D                | RW  | ENDIAN  |          |          | On air endianness of packet, this applies to the S0, LENGTH, S1 and the PAYLOAD fields.   |  |  |  |  |  |     |  |  |  |  |  |  |  |  |  |                     |  |  |  |  |  |  |  |  |  |                     |  |  |  |  |  |  |  |  |  |
|                  |   |         | Little   | 0        | Least significant bit on air first  |  |  |  |  |  |     |  |  |  |  |  |  |  |  |  |                     |  |  |  |  |  |  |  |  |  |                     |  |  |  |  |  |  |  |  |  |
|                  |   |         | Big      | 1        | Most significant bit on air first   |  |  |  |  |  |     |  |  |  |  |  |  |  |  |  |                     |  |  |  |  |  |  |  |  |  |                     |  |  |  |  |  |  |  |  |  |
| E                | RW  | WHITEEN |          |          | Enable or disable packet whitening  |  |  |  |  |  |     |  |  |  |  |  |  |  |  |  |                     |  |  |  |  |  |  |  |  |  |                     |  |  |  |  |  |  |  |  |  |
|                  |   |         | Disabled | 0        | Disable   |  |  |  |  |  |     |  |  |  |  |  |  |  |  |  |                     |  |  |  |  |  |  |  |  |  |                     |  |  |  |  |  |  |  |  |  |
|                  |   |         | Enabled  | 1        | Enable  |  |  |  |  |  |     |  |  |  |  |  |  |  |  |  |                     |  |  |  |  |  |  |  |  |  |                     |  |  |  |  |  |  |  |  |  |

### 6.20.14.51 BASE0

Address offset: 0x51C

## Base address 0

|                  |   |          |       |   |  |  |  |  |  |  |  |  |  |  |  |  |  |  |  |  |  |  |  |  |  |  |  |  |  |  |  |  |
|------------------|---|----------|-------|---|--|--|--|--|--|--|--|--|--|--|--|--|--|--|--|--|--|--|--|--|--|--|--|--|--|--|--|--|
| Bit number       | 31 30 29 28 27 26 25 24 23 22 21 20 19 18 17 16 15 14 13 12 11 10 9 8 7 6 5 4 3 2 1 0 |          |       |   |  |  |  |  |  |  |  |  |  |  |  |  |  |  |  |  |  |  |  |  |  |  |  |  |  |  |  |  |
| ID               | A                   |          |       |   |  |  |  |  |  |  |  |  |  |  |  |  |  |  |  |  |  |  |  |  |  |  |  |  |  |  |  |  |
| Reset 0x00000000 | 0                       |          |       |   |  |  |  |  |  |  |  |  |  |  |  |  |  |  |  |  |  |  |  |  |  |  |  |  |  |  |  |  |
| ID               | Acce Field  | Value ID | Value | Description                             |  |  |  |  |  |  |  |  |  |  |  |  |  |  |  |  |  |  |  |  |  |  |  |  |  |  |  |  |
| A                | RW  | BASE0    |       | Base address 0<br>Radio base address 0. |  |  |  |  |  |  |  |  |  |  |  |  |  |  |  |  |  |  |  |  |  |  |  |  |  |  |  |  |

## 6.20.14.52 BASE1

Address offset: 0x520

## Base address 1

|                  |   |          |       |   |  |  |  |  |  |  |  |  |  |  |  |  |  |  |  |  |  |  |  |  |  |  |  |  |  |  |  |  |
|------------------|---|----------|-------|---|--|--|--|--|--|--|--|--|--|--|--|--|--|--|--|--|--|--|--|--|--|--|--|--|--|--|--|--|
| Bit number       | 31 30 29 28 27 26 25 24 23 22 21 20 19 18 17 16 15 14 13 12 11 10 9 8 7 6 5 4 3 2 1 0 |          |       |   |  |  |  |  |  |  |  |  |  |  |  |  |  |  |  |  |  |  |  |  |  |  |  |  |  |  |  |  |
| ID               | A                   |          |       |   |  |  |  |  |  |  |  |  |  |  |  |  |  |  |  |  |  |  |  |  |  |  |  |  |  |  |  |  |
| Reset 0x00000000 | 0                       |          |       |   |  |  |  |  |  |  |  |  |  |  |  |  |  |  |  |  |  |  |  |  |  |  |  |  |  |  |  |  |
| ID               | Acce Field  | Value ID | Value | Description                             |  |  |  |  |  |  |  |  |  |  |  |  |  |  |  |  |  |  |  |  |  |  |  |  |  |  |  |  |
| A                | RW  | BASE1    |       | Base address 1<br>Radio base address 1. |  |  |  |  |  |  |  |  |  |  |  |  |  |  |  |  |  |  |  |  |  |  |  |  |  |  |  |  |

## 6.20.14.53 PREFIX0

Address offset: 0x524

Prefixes bytes for logical addresses 0-3

|                  |   |                |       |                   |  |  |  |  |  |  |  |  |  |  |  |  |  |  |  |  |  |  |  |  |  |  |  |  |  |  |  |  |
|------------------|---|----------------|-------|-------------------|--|--|--|--|--|--|--|--|--|--|--|--|--|--|--|--|--|--|--|--|--|--|--|--|--|--|--|--|
| Bit number       | 31 30 29 28 27 26 25 24 23 22 21 20 19 18 17 16 15 14 13 12 11 10 9 8 7 6 5 4 3 2 1 0 |                |       |                   |  |  |  |  |  |  |  |  |  |  |  |  |  |  |  |  |  |  |  |  |  |  |  |  |  |  |  |  |
| ID               | D D D D D D D D C C C C C C C C B B B B B B B B A A A A A A A A                       |                |       |                   |  |  |  |  |  |  |  |  |  |  |  |  |  |  |  |  |  |  |  |  |  |  |  |  |  |  |  |  |
| Reset 0x00000000 | 0                       |                |       |                   |  |  |  |  |  |  |  |  |  |  |  |  |  |  |  |  |  |  |  |  |  |  |  |  |  |  |  |  |
| ID               | Acce Field  | Value ID       | Value | Description       |  |  |  |  |  |  |  |  |  |  |  |  |  |  |  |  |  |  |  |  |  |  |  |  |  |  |  |  |
| A-D              | RW  | AP[i] (i=0..3) |       | Address prefix i. |  |  |  |  |  |  |  |  |  |  |  |  |  |  |  |  |  |  |  |  |  |  |  |  |  |  |  |  |

## 6.20.14.54 PREFIX1

Address offset: 0x528

Prefixes bytes for logical addresses 4-7

|                  |   |                |       |                   |  |  |  |  |  |  |  |  |  |  |  |  |  |  |  |  |  |  |  |  |  |  |  |  |  |  |  |  |
|------------------|---|----------------|-------|-------------------|--|--|--|--|--|--|--|--|--|--|--|--|--|--|--|--|--|--|--|--|--|--|--|--|--|--|--|--|
| Bit number       | 31 30 29 28 27 26 25 24 23 22 21 20 19 18 17 16 15 14 13 12 11 10 9 8 7 6 5 4 3 2 1 0 |                |       |                   |  |  |  |  |  |  |  |  |  |  |  |  |  |  |  |  |  |  |  |  |  |  |  |  |  |  |  |  |
| ID               | D D D D D D D D C C C C C C C C B B B B B B B B A A A A A A A A                       |                |       |                   |  |  |  |  |  |  |  |  |  |  |  |  |  |  |  |  |  |  |  |  |  |  |  |  |  |  |  |  |
| Reset 0x00000000 | 0                       |                |       |                   |  |  |  |  |  |  |  |  |  |  |  |  |  |  |  |  |  |  |  |  |  |  |  |  |  |  |  |  |
| ID               | Acce Field  | Value ID       | Value | Description       |  |  |  |  |  |  |  |  |  |  |  |  |  |  |  |  |  |  |  |  |  |  |  |  |  |  |  |  |
| A-D              | RW  | AP[i] (i=4..7) |       | Address prefix i. |  |  |  |  |  |  |  |  |  |  |  |  |  |  |  |  |  |  |  |  |  |  |  |  |  |  |  |  |

## 6.20.14.55 TXADDRESS

Address offset: 0x52C

Transmit address select

| Bit number              | 31  | 30        | 29    | 28   | 27 | 26 | 25 | 24 | 23 | 22 | 21 | 20 | 19 | 18 | 17 | 16 | 15 | 14 | 13 | 12 | 11 | 10 | 9 | 8 | 7 | 6 | 5 | 4 | 3 | 2 | 1 | 0 |
|-------------------------|---|-----------|-------|--|----|----|----|----|----|----|----|----|----|----|----|----|----|----|----|----|----|----|---|---|---|---|---|---|---|---|---|---|
| ID                      |   |           |       |  |    |    |    |    |    |    |    |    |    |    |    |    |    |    |    |    |    |    |   |   |   |   | A | A | A |   |   |   |
| <b>Reset 0x00000000</b> | 0 |           |       |  |    |    |    |    |    |    |    |    |    |    |    |    |    |    |    |    |    |    |   |   |   |   |   |   |   |   |   |   |
| ID                      | Acce Field  | Value ID  | Value | Description  |    |    |    |    |    |    |    |    |    |    |    |    |    |    |    |    |    |    |   |   |   |   |   |   |   |   |   |   |
| A                       | RW  | TXADDRESS |       | Transmit address select                                |    |    |    |    |    |    |    |    |    |    |    |    |    |    |    |    |    |    |   |   |   |   |   |   |   |   |   |   |
|                         |   |           |       | Logical address to be used when transmitting a packet. |    |    |    |    |    |    |    |    |    |    |    |    |    |    |    |    |    |    |   |   |   |   |   |   |   |   |   |   |

## 6.20.14.56 RXADDRESSES

Address offset: 0x530

Receive address select

| Bit number              | 31  | 30               | 29    | 28  | 27 | 26 | 25 | 24 | 23 | 22 | 21 | 20 | 19 | 18 | 17 | 16 | 15 | 14 | 13 | 12 | 11 | 10 | 9 | 8 | 7 | 6 | 5 | 4 | 3 | 2 | 1 | 0 |   |   |
|-------------------------|---|------------------|-------|---|----|----|----|----|----|----|----|----|----|----|----|----|----|----|----|----|----|----|---|---|---|---|---|---|---|---|---|---|---|---|
| ID                      |   |                  |       |   |    |    |    |    |    |    |    |    |    |    |    |    |    |    |    |    |    |    |   |   |   |   | H | G | F | E | D | C | B | A |
| <b>Reset 0x00000000</b> | 0 |                  |       |   |    |    |    |    |    |    |    |    |    |    |    |    |    |    |    |    |    |    |   |   |   |   |   |   |   |   |   |   |   |   |
| ID                      | Acce Field  | Value ID         | Value | Description                                       |    |    |    |    |    |    |    |    |    |    |    |    |    |    |    |    |    |    |   |   |   |   |   |   |   |   |   |   |   |   |
| A-H                     | RW  | ADDR[i] (i=0..7) |       | Enable or disable reception on logical address i. |    |    |    |    |    |    |    |    |    |    |    |    |    |    |    |    |    |    |   |   |   |   |   |   |   |   |   |   |   |   |
|                         |   | Disabled         | 0     | Disable   |    |    |    |    |    |    |    |    |    |    |    |    |    |    |    |    |    |    |   |   |   |   |   |   |   |   |   |   |   |   |
|                         |   | Enabled          | 1     | Enable  |    |    |    |    |    |    |    |    |    |    |    |    |    |    |    |    |    |    |   |   |   |   |   |   |   |   |   |   |   |   |

## 6.20.14.57 CRC CNF

Address offset: 0x534

CRC configuration

| Bit number              | 31  | 30         | 29     | 28  | 27 | 26 | 25 | 24 | 23 | 22 | 21 | 20 | 19 | 18 | 17 | 16 | 15 | 14 | 13 | 12 | 11 | 10 | 9 | 8 | 7 | 6 | 5 | 4 | 3 | 2 | 1 | 0 |
|-------------------------|---|------------|--------|---|----|----|----|----|----|----|----|----|----|----|----|----|----|----|----|----|----|----|---|---|---|---|---|---|---|---|---|---|
| ID                      |   |            |        |   |    |    |    |    |    |    |    |    |    |    |    |    |    |    |    |    |    |    |   |   |   |   | B | B |   |   | A | A |
| <b>Reset 0x00000000</b> | 0 |            |        |   |    |    |    |    |    |    |    |    |    |    |    |    |    |    |    |    |    |    |   |   |   |   |   |   |   |   |   |   |
| ID                      | Acce Field  | Value ID   | Value  | Description   |    |    |    |    |    |    |    |    |    |    |    |    |    |    |    |    |    |    |   |   |   |   |   |   |   |   |   |   |
| A                       | RW  | LEN        | [1..3] | CRC length in number of bytes.  |    |    |    |    |    |    |    |    |    |    |    |    |    |    |    |    |    |    |   |   |   |   |   |   |   |   |   |   |
|                         |   |            |        | <b>Note:</b> For MODE Ble_LR125Kbit and Ble_LR500Kbit, only LEN set to 3 is supported                               |    |    |    |    |    |    |    |    |    |    |    |    |    |    |    |    |    |    |   |   |   |   |   |   |   |   |   |   |
|                         |   | Disabled   | 0      | CRC length is zero and CRC calculation is disabled  |    |    |    |    |    |    |    |    |    |    |    |    |    |    |    |    |    |    |   |   |   |   |   |   |   |   |   |   |
|                         |   | One        | 1      | CRC length is one byte and CRC calculation is enabled   |    |    |    |    |    |    |    |    |    |    |    |    |    |    |    |    |    |    |   |   |   |   |   |   |   |   |   |   |
|                         |   | Two        | 2      | CRC length is two bytes and CRC calculation is enabled  |    |    |    |    |    |    |    |    |    |    |    |    |    |    |    |    |    |    |   |   |   |   |   |   |   |   |   |   |
|                         |   | Three      | 3      | CRC length is three bytes and CRC calculation is enabled  |    |    |    |    |    |    |    |    |    |    |    |    |    |    |    |    |    |    |   |   |   |   |   |   |   |   |   |   |
| B                       | RW  | SKIPADDR   |        | Include or exclude packet address field out of CRC calculation.   |    |    |    |    |    |    |    |    |    |    |    |    |    |    |    |    |    |    |   |   |   |   |   |   |   |   |   |   |
|                         |   | Include    | 0      | CRC calculation includes address field  |    |    |    |    |    |    |    |    |    |    |    |    |    |    |    |    |    |    |   |   |   |   |   |   |   |   |   |   |
|                         |   | Skip       | 1      | CRC calculation does not include address field. The CRC calculation will start at the first byte after the address. |    |    |    |    |    |    |    |    |    |    |    |    |    |    |    |    |    |    |   |   |   |   |   |   |   |   |   |   |
|                         |   | ieee802154 | 2      | CRC calculation as per 802.15.4 standard. Starting at first byte after length field.                                |    |    |    |    |    |    |    |    |    |    |    |    |    |    |    |    |    |    |   |   |   |   |   |   |   |   |   |   |

## 6.20.14.58 CRCPOLY

Address offset: 0x538

CRC polynomial

|                  |    |    |    |    |    |    |    |    |    |    |    |    |    |    |    |    |    |    |    |    |    |    |   |   |   |   |   |   |   |   |   |   |   |   |   |   |   |   |   |   |   |   |   |   |   |   |   |   |   |   |   |
|------------------|----|----|----|----|----|----|----|----|----|----|----|----|----|----|----|----|----|----|----|----|----|----|---|---|---|---|---|---|---|---|---|---|---|---|---|---|---|---|---|---|---|---|---|---|---|---|---|---|---|---|---|
| Bit number       | 31 | 30 | 29 | 28 | 27 | 26 | 25 | 24 | 23 | 22 | 21 | 20 | 19 | 18 | 17 | 16 | 15 | 14 | 13 | 12 | 11 | 10 | 9 | 8 | 7 | 6 | 5 | 4 | 3 | 2 | 1 | 0 |   |   |   |   |   |   |   |   |   |   |   |   |   |   |   |   |   |   |   |
| ID               |    |    |    |    |    |    |    |    |    |    |    |    |    |    |    |    |    | A  | A  | A  | A  | A  | A | A | A | A | A | A | A | A | A | A | A | A | A | A | A | A | A | A | A | A | A | A | A | A | A | A |   |   |   |
| Reset 0x00000000 |    |    |    |    |    |    |    |    |    |    |    |    |    |    |    |    |    | 0  | 0  | 0  | 0  | 0  | 0 | 0 | 0 | 0 | 0 | 0 | 0 | 0 | 0 | 0 | 0 | 0 | 0 | 0 | 0 | 0 | 0 | 0 | 0 | 0 | 0 | 0 | 0 | 0 | 0 | 0 | 0 | 0 | 0 |

| ID | Acce Field | Value ID | Value | Description    |
|----|------------|----------|-------|----------------|
| A  | RW         | CRCPOLY  |       | CRC polynomial |

Each term in the CRC polynomial is mapped to a bit in this register which index corresponds to the term's exponent. The least significant term/bit is hard-wired internally to 1, and bit number 0 of the register content is ignored by the hardware. The following example is for an 8 bit CRC polynomial:  $x^8 + x^7 + x^3 + x^2 + 1 = 1\ 1000\ 1101$ .

### 6.20.14.59 CRCINIT

Address offset: 0x53C

CRC initial value

|                  |    |    |    |    |    |    |    |    |    |    |    |    |    |    |    |    |    |    |    |    |    |    |   |   |   |   |   |   |   |   |   |   |   |   |   |   |   |   |   |   |   |   |   |   |   |   |   |   |   |   |   |   |
|------------------|----|----|----|----|----|----|----|----|----|----|----|----|----|----|----|----|----|----|----|----|----|----|---|---|---|---|---|---|---|---|---|---|---|---|---|---|---|---|---|---|---|---|---|---|---|---|---|---|---|---|---|---|
| Bit number       | 31 | 30 | 29 | 28 | 27 | 26 | 25 | 24 | 23 | 22 | 21 | 20 | 19 | 18 | 17 | 16 | 15 | 14 | 13 | 12 | 11 | 10 | 9 | 8 | 7 | 6 | 5 | 4 | 3 | 2 | 1 | 0 |   |   |   |   |   |   |   |   |   |   |   |   |   |   |   |   |   |   |   |   |
| ID               |    |    |    |    |    |    |    |    |    |    |    |    |    |    |    |    |    | A  | A  | A  | A  | A  | A | A | A | A | A | A | A | A | A | A | A | A | A | A | A | A | A | A | A | A | A | A | A | A | A | A | A |   |   |   |
| Reset 0x00000000 |    |    |    |    |    |    |    |    |    |    |    |    |    |    |    |    |    | 0  | 0  | 0  | 0  | 0  | 0 | 0 | 0 | 0 | 0 | 0 | 0 | 0 | 0 | 0 | 0 | 0 | 0 | 0 | 0 | 0 | 0 | 0 | 0 | 0 | 0 | 0 | 0 | 0 | 0 | 0 | 0 | 0 | 0 | 0 |

| ID | Acce Field | Value ID | Value | Description       |
|----|------------|----------|-------|-------------------|
| A  | RW         | CRCINIT  |       | CRC initial value |

Initial value for CRC calculation

### 6.20.14.60 TIFS

Address offset: 0x544

Interframe spacing in  $\mu$ s

|                  |    |    |    |    |    |    |    |    |    |    |    |    |    |    |    |    |    |    |    |    |    |    |   |   |   |   |   |   |   |   |   |   |   |   |   |   |   |   |   |   |   |   |   |   |   |   |   |   |   |   |   |   |   |
|------------------|----|----|----|----|----|----|----|----|----|----|----|----|----|----|----|----|----|----|----|----|----|----|---|---|---|---|---|---|---|---|---|---|---|---|---|---|---|---|---|---|---|---|---|---|---|---|---|---|---|---|---|---|---|
| Bit number       | 31 | 30 | 29 | 28 | 27 | 26 | 25 | 24 | 23 | 22 | 21 | 20 | 19 | 18 | 17 | 16 | 15 | 14 | 13 | 12 | 11 | 10 | 9 | 8 | 7 | 6 | 5 | 4 | 3 | 2 | 1 | 0 |   |   |   |   |   |   |   |   |   |   |   |   |   |   |   |   |   |   |   |   |   |
| ID               |    |    |    |    |    |    |    |    |    |    |    |    |    |    |    |    |    | A  | A  | A  | A  | A  | A | A | A | A | A | A | A | A | A | A | A | A | A | A | A | A | A | A | A | A | A | A | A | A | A | A | A |   |   |   |   |
| Reset 0x00000000 |    |    |    |    |    |    |    |    |    |    |    |    |    |    |    |    |    | 0  | 0  | 0  | 0  | 0  | 0 | 0 | 0 | 0 | 0 | 0 | 0 | 0 | 0 | 0 | 0 | 0 | 0 | 0 | 0 | 0 | 0 | 0 | 0 | 0 | 0 | 0 | 0 | 0 | 0 | 0 | 0 | 0 | 0 | 0 | 0 |

| ID | Acce Field | Value ID | Value | Description                   |
|----|------------|----------|-------|-------------------------------|
| A  | RW         | TIFS     |       | Interframe spacing in $\mu$ s |

Interframe space is the time interval between two consecutive packets. It is defined as the time, in microseconds, from the end of the last bit of the previous packet to the start of the first bit of the subsequent packet.

### 6.20.14.61 RSSISAMPLE

Address offset: 0x548

RSSI sample

|            |   |    |    |    |    |    |    |    |    |    |    |    |    |    |    |    |    |    |    |    |    |    |   |   |   |   |   |   |   |   |   |   |
|------------|---|----|----|----|----|----|----|----|----|----|----|----|----|----|----|----|----|----|----|----|----|----|---|---|---|---|---|---|---|---|---|---|
| Bit number | 31  | 30 | 29 | 28 | 27 | 26 | 25 | 24 | 23 | 22 | 21 | 20 | 19 | 18 | 17 | 16 | 15 | 14 | 13 | 12 | 11 | 10 | 9 | 8 | 7 | 6 | 5 | 4 | 3 | 2 | 1 | 0 |
| ID         |   |    |    |    |    |    |    |    |    |    |    |    |    |    |    |    |    |    |    |    |    |    |   |   |   |   | A | A | A | A | A | A |
| Reset      | 0x00000000  |    |    |    |    |    |    |    |    |    |    |    |    |    |    |    |    |    |    |    |    |    |   |   |   |   |   |   |   |   |   |   |
|            | 0 |    |    |    |    |    |    |    |    |    |    |    |    |    |    |    |    |    |    |    |    |    |   |   |   |   |   |   |   |   |   |   |

| ID | Acce | Field      | Value ID | Value    | Description |
|----|------|------------|----------|----------|-------------|
| A  | R    | RSSISAMPLE |          | [0..127] | RSSI sample |

RSSI sample result. The value of this register is read as a positive value while the actual received signal strength is a negative value. Actual received signal strength is therefore as follows: received signal strength = -A dBm

## 6.20.14.62 STATE

Address offset: 0x550

Current radio state

|            |   |    |    |    |    |    |    |    |    |    |    |    |    |    |    |    |    |    |    |    |    |    |   |   |   |   |   |   |   |   |   |   |
|------------|---|----|----|----|----|----|----|----|----|----|----|----|----|----|----|----|----|----|----|----|----|----|---|---|---|---|---|---|---|---|---|---|
| Bit number | 31  | 30 | 29 | 28 | 27 | 26 | 25 | 24 | 23 | 22 | 21 | 20 | 19 | 18 | 17 | 16 | 15 | 14 | 13 | 12 | 11 | 10 | 9 | 8 | 7 | 6 | 5 | 4 | 3 | 2 | 1 | 0 |
| ID         |   |    |    |    |    |    |    |    |    |    |    |    |    |    |    |    |    |    |    |    |    |    |   |   |   |   | A | A | A | A |   |   |
| Reset      | 0x00000000  |    |    |    |    |    |    |    |    |    |    |    |    |    |    |    |    |    |    |    |    |    |   |   |   |   |   |   |   |   |   |   |
|            | 0 |    |    |    |    |    |    |    |    |    |    |    |    |    |    |    |    |    |    |    |    |    |   |   |   |   |   |   |   |   |   |   |

| ID | Acce | Field | Value ID  | Value | Description                      |
|----|------|-------|-----------|-------|----------------------------------|
| A  | R    | STATE |           |       | Current radio state              |
|    |      |       | Disabled  | 0     | RADIO is in the Disabled state   |
|    |      |       | RxRu      | 1     | RADIO is in the RXRU state       |
|    |      |       | RxIdle    | 2     | RADIO is in the RXIDLE state     |
|    |      |       | Rx        | 3     | RADIO is in the RX state         |
|    |      |       | RxDisable | 4     | RADIO is in the RXDISABLED state |
|    |      |       | TxRu      | 9     | RADIO is in the TXRU state       |
|    |      |       | TxIdle    | 10    | RADIO is in the TXIDLE state     |
|    |      |       | Tx        | 11    | RADIO is in the TX state         |
|    |      |       | TxDisable | 12    | RADIO is in the TXDISABLED state |

## 6.20.14.63 DATAWHITEIV

Address offset: 0x554

Data whitening initial value

|            |   |    |    |    |    |    |    |    |    |    |    |    |    |    |    |    |    |    |    |    |    |    |   |   |   |   |   |   |   |   |   |   |
|------------|---|----|----|----|----|----|----|----|----|----|----|----|----|----|----|----|----|----|----|----|----|----|---|---|---|---|---|---|---|---|---|---|
| Bit number | 31  | 30 | 29 | 28 | 27 | 26 | 25 | 24 | 23 | 22 | 21 | 20 | 19 | 18 | 17 | 16 | 15 | 14 | 13 | 12 | 11 | 10 | 9 | 8 | 7 | 6 | 5 | 4 | 3 | 2 | 1 | 0 |
| ID         |   |    |    |    |    |    |    |    |    |    |    |    |    |    |    |    |    |    |    |    |    |    |   |   |   |   | A | A | A | A | A | A |
| Reset      | 0x00000040  |    |    |    |    |    |    |    |    |    |    |    |    |    |    |    |    |    |    |    |    |    |   |   |   |   |   |   |   |   |   |   |
|            | 0 1 0 0 0 0 0 0 0 |    |    |    |    |    |    |    |    |    |    |    |    |    |    |    |    |    |    |    |    |    |   |   |   |   |   |   |   |   |   |   |

| ID | Acce | Field       | Value ID | Value | Description   |
|----|------|-------------|----------|-------|---|
| A  | RW   | DATAWHITEIV |          |       | Data whitening initial value. Bit 6 is hard-wired to '1', writing '0' to it has no effect, and it will always be read back and used by the device as '1'. |
|    |      |             |          |       | Bit 0 corresponds to Position 6 of the LSFR, Bit 1 to Position 5, etc.  |

## 6.20.14.64 BCC

Address offset: 0x560

Bit counter compare

|                  |   |          |       |                              |  |  |  |  |  |  |  |  |  |  |  |  |  |  |  |  |  |  |  |  |  |  |  |  |  |  |  |  |
|------------------|---|----------|-------|------------------------------|--|--|--|--|--|--|--|--|--|--|--|--|--|--|--|--|--|--|--|--|--|--|--|--|--|--|--|--|
| Bit number       | 31 30 29 28 27 26 25 24 23 22 21 20 19 18 17 16 15 14 13 12 11 10 9 8 7 6 5 4 3 2 1 0 |          |       |                              |  |  |  |  |  |  |  |  |  |  |  |  |  |  |  |  |  |  |  |  |  |  |  |  |  |  |  |  |
| ID               | A                   |          |       |                              |  |  |  |  |  |  |  |  |  |  |  |  |  |  |  |  |  |  |  |  |  |  |  |  |  |  |  |  |
| Reset 0x00000000 | 0                       |          |       |                              |  |  |  |  |  |  |  |  |  |  |  |  |  |  |  |  |  |  |  |  |  |  |  |  |  |  |  |  |
| ID               | Acce Field  | Value ID | Value | Description                  |  |  |  |  |  |  |  |  |  |  |  |  |  |  |  |  |  |  |  |  |  |  |  |  |  |  |  |  |
| A                | RW  | BCC      |       | Bit counter compare          |  |  |  |  |  |  |  |  |  |  |  |  |  |  |  |  |  |  |  |  |  |  |  |  |  |  |  |  |
|                  |   |          |       | Bit counter compare register |  |  |  |  |  |  |  |  |  |  |  |  |  |  |  |  |  |  |  |  |  |  |  |  |  |  |  |  |

### 6.20.14.65 DAB[n] (n=0..7)

Address offset: 0x600 + (n × 0x4)

Device address base segment n

|                  |   |          |       |                               |  |  |  |  |  |  |  |  |  |  |  |  |  |  |  |  |  |  |  |  |  |  |  |  |  |  |  |  |
|------------------|---|----------|-------|-------------------------------|--|--|--|--|--|--|--|--|--|--|--|--|--|--|--|--|--|--|--|--|--|--|--|--|--|--|--|--|
| Bit number       | 31 30 29 28 27 26 25 24 23 22 21 20 19 18 17 16 15 14 13 12 11 10 9 8 7 6 5 4 3 2 1 0 |          |       |                               |  |  |  |  |  |  |  |  |  |  |  |  |  |  |  |  |  |  |  |  |  |  |  |  |  |  |  |  |
| ID               | A                   |          |       |                               |  |  |  |  |  |  |  |  |  |  |  |  |  |  |  |  |  |  |  |  |  |  |  |  |  |  |  |  |
| Reset 0x00000000 | 0                       |          |       |                               |  |  |  |  |  |  |  |  |  |  |  |  |  |  |  |  |  |  |  |  |  |  |  |  |  |  |  |  |
| ID               | Acce Field  | Value ID | Value | Description                   |  |  |  |  |  |  |  |  |  |  |  |  |  |  |  |  |  |  |  |  |  |  |  |  |  |  |  |  |
| A                | RW  | DAB      |       | Device address base segment n |  |  |  |  |  |  |  |  |  |  |  |  |  |  |  |  |  |  |  |  |  |  |  |  |  |  |  |  |

### 6.20.14.66 DAP[n] (n=0..7)

Address offset: 0x620 + (n × 0x4)

Device address prefix n

|                  |   |          |       |                         |  |  |  |  |  |  |  |  |  |  |  |  |  |  |  |  |  |  |  |  |                                 |  |  |  |  |  |  |  |
|------------------|---|----------|-------|-------------------------|--|--|--|--|--|--|--|--|--|--|--|--|--|--|--|--|--|--|--|--|---------------------------------|--|--|--|--|--|--|--|
| Bit number       | 31 30 29 28 27 26 25 24 23 22 21 20 19 18 17 16 15 14 13 12 11 10 9 8 7 6 5 4 3 2 1 0 |          |       |                         |  |  |  |  |  |  |  |  |  |  |  |  |  |  |  |  |  |  |  |  |                                 |  |  |  |  |  |  |  |
| ID               |   |          |       |                         |  |  |  |  |  |  |  |  |  |  |  |  |  |  |  |  |  |  |  |  | A A A A A A A A A A A A A A A A |  |  |  |  |  |  |  |
| Reset 0x00000000 | 0                       |          |       |                         |  |  |  |  |  |  |  |  |  |  |  |  |  |  |  |  |  |  |  |  |                                 |  |  |  |  |  |  |  |
| ID               | Acce Field  | Value ID | Value | Description             |  |  |  |  |  |  |  |  |  |  |  |  |  |  |  |  |  |  |  |  |                                 |  |  |  |  |  |  |  |
| A                | RW  | DAP      |       | Device address prefix n |  |  |  |  |  |  |  |  |  |  |  |  |  |  |  |  |  |  |  |  |                                 |  |  |  |  |  |  |  |

### 6.20.14.67 DACNF

Address offset: 0x640

Device address match configuration

|                  |   |                   |       |  |  |  |  |  |  |  |  |  |  |  |  |  |                                 |  |  |  |  |  |  |  |  |  |  |  |  |  |  |  |
|------------------|---|-------------------|-------|--|--|--|--|--|--|--|--|--|--|--|--|--|---------------------------------|--|--|--|--|--|--|--|--|--|--|--|--|--|--|--|
| Bit number       | 31 30 29 28 27 26 25 24 23 22 21 20 19 18 17 16 15 14 13 12 11 10 9 8 7 6 5 4 3 2 1 0 |                   |       |  |  |  |  |  |  |  |  |  |  |  |  |  |                                 |  |  |  |  |  |  |  |  |  |  |  |  |  |  |  |
| ID               |   |                   |       |  |  |  |  |  |  |  |  |  |  |  |  |  | P O N M L K J I H G F E D C B A |  |  |  |  |  |  |  |  |  |  |  |  |  |  |  |
| Reset 0x00000000 | 0                       |                   |       |  |  |  |  |  |  |  |  |  |  |  |  |  |                                 |  |  |  |  |  |  |  |  |  |  |  |  |  |  |  |
| ID               | Acce Field  | Value ID          | Value | Description  |  |  |  |  |  |  |  |  |  |  |  |  |                                 |  |  |  |  |  |  |  |  |  |  |  |  |  |  |  |
| A-H              | RW  | ENA[i] (i=0..7)   |       | Enable or disable device address matching using device address i |  |  |  |  |  |  |  |  |  |  |  |  |                                 |  |  |  |  |  |  |  |  |  |  |  |  |  |  |  |
|                  |   | Disabled          | 0     | Disabled   |  |  |  |  |  |  |  |  |  |  |  |  |                                 |  |  |  |  |  |  |  |  |  |  |  |  |  |  |  |
|                  |   | Enabled           | 1     | Enabled  |  |  |  |  |  |  |  |  |  |  |  |  |                                 |  |  |  |  |  |  |  |  |  |  |  |  |  |  |  |
| I-P              | RW  | TXADD[i] (i=0..7) |       | TxAdd for device address i                                       |  |  |  |  |  |  |  |  |  |  |  |  |                                 |  |  |  |  |  |  |  |  |  |  |  |  |  |  |  |

### 6.20.14.68 MHRMATCHCONF

Address offset: 0x644

Search pattern configuration

| Bit number       | 31         | 30           | 29    | 28                           | 27 | 26 | 25 | 24 | 23 | 22 | 21 | 20 | 19 | 18 | 17 | 16 | 15 | 14 | 13 | 12 | 11 | 10 | 9 | 8 | 7 | 6 | 5 | 4 | 3 | 2 | 1 | 0 |
|------------------|------------|--------------|-------|------------------------------|----|----|----|----|----|----|----|----|----|----|----|----|----|----|----|----|----|----|---|---|---|---|---|---|---|---|---|---|
| ID               | A          | A            | A     | A                            | A  | A  | A  | A  | A  | A  | A  | A  | A  | A  | A  | A  | A  | A  | A  | A  | A  | A  | A | A | A | A | A | A | A | A | A | A |
| Reset 0x00000000 | 0          | 0            | 0     | 0                            | 0  | 0  | 0  | 0  | 0  | 0  | 0  | 0  | 0  | 0  | 0  | 0  | 0  | 0  | 0  | 0  | 0  | 0  | 0 | 0 | 0 | 0 | 0 | 0 | 0 | 0 | 0 | 0 |
| ID               | Acce Field | Value ID     | Value | Description                  |    |    |    |    |    |    |    |    |    |    |    |    |    |    |    |    |    |    |   |   |   |   |   |   |   |   |   |   |
| A                | RW         | MHRMATCHCONF |       | Search pattern configuration |    |    |    |    |    |    |    |    |    |    |    |    |    |    |    |    |    |    |   |   |   |   |   |   |   |   |   |   |

### 6.20.14.69 MHRMATCHMAS

Address offset: 0x648

Pattern mask

| Bit number       | 31         | 30          | 29    | 28           | 27 | 26 | 25 | 24 | 23 | 22 | 21 | 20 | 19 | 18 | 17 | 16 | 15 | 14 | 13 | 12 | 11 | 10 | 9 | 8 | 7 | 6 | 5 | 4 | 3 | 2 | 1 | 0 |
|------------------|------------|-------------|-------|--------------|----|----|----|----|----|----|----|----|----|----|----|----|----|----|----|----|----|----|---|---|---|---|---|---|---|---|---|---|
| ID               | A          | A           | A     | A            | A  | A  | A  | A  | A  | A  | A  | A  | A  | A  | A  | A  | A  | A  | A  | A  | A  | A  | A | A | A | A | A | A | A | A | A |   |
| Reset 0x00000000 | 0          | 0           | 0     | 0            | 0  | 0  | 0  | 0  | 0  | 0  | 0  | 0  | 0  | 0  | 0  | 0  | 0  | 0  | 0  | 0  | 0  | 0  | 0 | 0 | 0 | 0 | 0 | 0 | 0 | 0 | 0 |   |
| ID               | Acce Field | Value ID    | Value | Description  |    |    |    |    |    |    |    |    |    |    |    |    |    |    |    |    |    |    |   |   |   |   |   |   |   |   |   |   |
| A                | RW         | MHRMATCHMAS |       | Pattern mask |    |    |    |    |    |    |    |    |    |    |    |    |    |    |    |    |    |    |   |   |   |   |   |   |   |   |   |   |

### 6.20.14.70 MODECNF0

Address offset: 0x650

Radio mode configuration register 0

| Bit number       | 31         | 30       | 29    | 28   | 27 | 26 | 25 | 24 | 23 | 22 | 21 | 20 | 19 | 18 | 17 | 16 | 15 | 14 | 13 | 12 | 11 | 10 | 9 | 8 | 7 | 6 | 5 | 4 | 3 | 2 | 1 | 0 |
|------------------|------------|----------|-------|--|----|----|----|----|----|----|----|----|----|----|----|----|----|----|----|----|----|----|---|---|---|---|---|---|---|---|---|---|
| ID               |            |          |       |  |    |    |    |    |    |    |    |    |    |    |    |    |    |    |    |    |    |    |   |   | C | C |   |   |   |   |   | A |
| Reset 0x00000200 | 0          | 0        | 0     | 0  | 0  | 0  | 0  | 0  | 0  | 0  | 0  | 0  | 0  | 0  | 0  | 0  | 0  | 0  | 0  | 0  | 0  | 0  | 0 | 1 | 0 | 0 | 0 | 0 | 0 | 0 | 0 |   |
| ID               | Acce Field | Value ID | Value | Description  |    |    |    |    |    |    |    |    |    |    |    |    |    |    |    |    |    |    |   |   |   |   |   |   |   |   |   |   |
| A                | RW         | RU       |       | Radio ramp-up time   |    |    |    |    |    |    |    |    |    |    |    |    |    |    |    |    |    |    |   |   |   |   |   |   |   |   |   |   |
|                  |            | Default  | 0     | Default ramp-up time (tRXEN and tTXEN), compatible with firmware written for nRF51   |    |    |    |    |    |    |    |    |    |    |    |    |    |    |    |    |    |    |   |   |   |   |   |   |   |   |   |   |
|                  |            | Fast     | 1     | Fast ramp-up (tRXEN,FAST and tTXEN,FAST), see electrical specification for more information  |    |    |    |    |    |    |    |    |    |    |    |    |    |    |    |    |    |    |   |   |   |   |   |   |   |   |   |   |
|                  |            |          |       | When enabled, TIFS is not enforced by hardware and software needs to control when to turn on the Radio.                              |    |    |    |    |    |    |    |    |    |    |    |    |    |    |    |    |    |    |   |   |   |   |   |   |   |   |   |   |
| C                | RW         | DTX      |       | Default TX value   |    |    |    |    |    |    |    |    |    |    |    |    |    |    |    |    |    |    |   |   |   |   |   |   |   |   |   |   |
|                  |            |          |       | Specifies what the RADIO will transmit when it is not started, i.e. between:   |    |    |    |    |    |    |    |    |    |    |    |    |    |    |    |    |    |    |   |   |   |   |   |   |   |   |   |   |
|                  |            |          |       | RADIO.EVENTS_READY and RADIO.TASKS_START   |    |    |    |    |    |    |    |    |    |    |    |    |    |    |    |    |    |    |   |   |   |   |   |   |   |   |   |   |
|                  |            |          |       | RADIO.EVENTS_END and RADIO.TASKS_START   |    |    |    |    |    |    |    |    |    |    |    |    |    |    |    |    |    |    |   |   |   |   |   |   |   |   |   |   |
|                  |            |          |       | RADIO.EVENTS_END and RADIO.EVENTS_DISABLED   |    |    |    |    |    |    |    |    |    |    |    |    |    |    |    |    |    |    |   |   |   |   |   |   |   |   |   |   |
|                  |            |          |       | <b>Note:</b> For 802.15.4 and BLE LR mode, only Center is a valid setting  |    |    |    |    |    |    |    |    |    |    |    |    |    |    |    |    |    |    |   |   |   |   |   |   |   |   |   |   |
|                  |            | B1       | 0     | Transmit '1'   |    |    |    |    |    |    |    |    |    |    |    |    |    |    |    |    |    |    |   |   |   |   |   |   |   |   |   |   |
|                  |            | B0       | 1     | Transmit '0'   |    |    |    |    |    |    |    |    |    |    |    |    |    |    |    |    |    |    |   |   |   |   |   |   |   |   |   |   |
|                  |            | Center   | 2     | Transmit center frequency  |    |    |    |    |    |    |    |    |    |    |    |    |    |    |    |    |    |    |   |   |   |   |   |   |   |   |   |   |
|                  |            |          |       | When tuning the crystal for centre frequency, the RADIO must be set in DTX = Center mode to be able to achieve the expected accuracy |    |    |    |    |    |    |    |    |    |    |    |    |    |    |    |    |    |    |   |   |   |   |   |   |   |   |   |   |

### 6.20.14.71 SFD

Address offset: 0x660

IEEE 802.15.4 start of frame delimiter

| Bit number              | 31         | 30       | 29    | 28                                     | 27 | 26 | 25 | 24 | 23 | 22 | 21 | 20 | 19 | 18 | 17 | 16 | 15 | 14 | 13 | 12 | 11 | 10 | 9 | 8 | 7 | 6 | 5 | 4 | 3 | 2 | 1 | 0 |   |   |   |   |   |   |   |   |   |   |   |   |   |   |   |   |   |   |   |   |   |   |   |   |   |
|-------------------------|------------|----------|-------|--|----|----|----|----|----|----|----|----|----|----|----|----|----|----|----|----|----|----|---|---|---|---|---|---|---|---|---|---|---|---|---|---|---|---|---|---|---|---|---|---|---|---|---|---|---|---|---|---|---|---|---|---|---|
| ID                      |            |          |       |  |    |    |    |    |    |    |    |    |    |    |    |    |    |    |    |    |    |    |   |   | A | A | A | A | A | A | A | A | A | A | A | A | A | A | A | A | A | A | A | A | A | A | A | A | A | A | A | A | A | A |   |   |   |
| <b>Reset 0x000000A7</b> |            |          |       |  |    |    |    |    |    |    |    |    |    |    |    |    |    |    |    |    |    |    |   |   | 0 | 0 | 0 | 0 | 0 | 0 | 0 | 0 | 0 | 0 | 0 | 0 | 0 | 0 | 0 | 0 | 0 | 0 | 0 | 0 | 0 | 0 | 0 | 0 | 0 | 1 | 0 | 1 | 0 | 0 | 1 | 1 | 1 |
| ID                      | Acce Field | Value ID | Value | Description                            |    |    |    |    |    |    |    |    |    |    |    |    |    |    |    |    |    |    |   |   |   |   |   |   |   |   |   |   |   |   |   |   |   |   |   |   |   |   |   |   |   |   |   |   |   |   |   |   |   |   |   |   |   |
| A                       | RW         | SFD      |       | IEEE 802.15.4 start of frame delimiter |    |    |    |    |    |    |    |    |    |    |    |    |    |    |    |    |    |    |   |   |   |   |   |   |   |   |   |   |   |   |   |   |   |   |   |   |   |   |   |   |   |   |   |   |   |   |   |   |   |   |   |   |   |

### 6.20.14.72 EDCNT

Address offset: 0x664

IEEE 802.15.4 energy detect loop count

Number of iterations to perform an ED scan. If set to 0 one scan is performed, otherwise the specified number + 1 of ED scans will be performed and the max ED value tracked in EDSAMPLE

| Bit number              | 31         | 30       | 29    | 28                                     | 27 | 26 | 25 | 24 | 23 | 22 | 21 | 20 | 19 | 18 | 17 | 16 | 15 | 14 | 13 | 12 | 11 | 10 | 9 | 8 | 7 | 6 | 5 | 4 | 3 | 2 | 1 | 0 |   |   |   |   |   |   |   |   |   |   |   |   |   |   |   |   |   |   |   |   |   |   |   |
|-------------------------|------------|----------|-------|--|----|----|----|----|----|----|----|----|----|----|----|----|----|----|----|----|----|----|---|---|---|---|---|---|---|---|---|---|---|---|---|---|---|---|---|---|---|---|---|---|---|---|---|---|---|---|---|---|---|---|---|
| ID                      |            |          |       |  |    |    |    |    |    |    |    |    |    |    |    |    |    |    |    |    |    |    |   |   | A | A | A | A | A | A | A | A | A | A | A | A | A | A | A | A | A | A | A | A | A | A | A | A | A | A | A | A | A | A |   |
| <b>Reset 0x00000000</b> |            |          |       |  |    |    |    |    |    |    |    |    |    |    |    |    |    |    |    |    |    |    |   |   | 0 | 0 | 0 | 0 | 0 | 0 | 0 | 0 | 0 | 0 | 0 | 0 | 0 | 0 | 0 | 0 | 0 | 0 | 0 | 0 | 0 | 0 | 0 | 0 | 0 | 0 | 0 | 0 | 0 | 0 | 0 |
| ID                      | Acce Field | Value ID | Value | Description                            |    |    |    |    |    |    |    |    |    |    |    |    |    |    |    |    |    |    |   |   |   |   |   |   |   |   |   |   |   |   |   |   |   |   |   |   |   |   |   |   |   |   |   |   |   |   |   |   |   |   |   |
| A                       | RW         | EDCNT    |       | IEEE 802.15.4 energy detect loop count |    |    |    |    |    |    |    |    |    |    |    |    |    |    |    |    |    |    |   |   |   |   |   |   |   |   |   |   |   |   |   |   |   |   |   |   |   |   |   |   |   |   |   |   |   |   |   |   |   |   |   |

### 6.20.14.73 EDSAMPLE

Address offset: 0x668

IEEE 802.15.4 energy detect level

| Bit number              | 31         | 30       | 29       | 28                                | 27 | 26 | 25 | 24 | 23 | 22 | 21 | 20 | 19 | 18 | 17 | 16 | 15 | 14 | 13 | 12 | 11 | 10 | 9 | 8 | 7 | 6 | 5 | 4 | 3 | 2 | 1 | 0 |   |   |   |   |   |   |   |   |   |   |   |   |   |   |   |   |   |   |   |   |   |   |   |
|-------------------------|------------|----------|----------|-----------------------------------|----|----|----|----|----|----|----|----|----|----|----|----|----|----|----|----|----|----|---|---|---|---|---|---|---|---|---|---|---|---|---|---|---|---|---|---|---|---|---|---|---|---|---|---|---|---|---|---|---|---|---|
| ID                      |            |          |          |                                   |    |    |    |    |    |    |    |    |    |    |    |    |    |    |    |    |    |    |   |   | A | A | A | A | A | A | A | A | A | A | A | A | A | A | A | A | A | A | A | A | A | A | A | A | A | A | A | A | A | A |   |
| <b>Reset 0x00000000</b> |            |          |          |                                   |    |    |    |    |    |    |    |    |    |    |    |    |    |    |    |    |    |    |   |   | 0 | 0 | 0 | 0 | 0 | 0 | 0 | 0 | 0 | 0 | 0 | 0 | 0 | 0 | 0 | 0 | 0 | 0 | 0 | 0 | 0 | 0 | 0 | 0 | 0 | 0 | 0 | 0 | 0 | 0 | 0 |
| ID                      | Acce Field | Value ID | Value    | Description                       |    |    |    |    |    |    |    |    |    |    |    |    |    |    |    |    |    |    |   |   |   |   |   |   |   |   |   |   |   |   |   |   |   |   |   |   |   |   |   |   |   |   |   |   |   |   |   |   |   |   |   |
| A                       | RW         | EDLVL    | [0..127] | IEEE 802.15.4 energy detect level |    |    |    |    |    |    |    |    |    |    |    |    |    |    |    |    |    |    |   |   |   |   |   |   |   |   |   |   |   |   |   |   |   |   |   |   |   |   |   |   |   |   |   |   |   |   |   |   |   |   |   |

Register value must be converted to IEEE 802.15.4 range by an 8-bit saturating multiplication by factor ED\_RSSISCALE, as shown in the code example for ED sampling

### 6.20.14.74 CCACTRL

Address offset: 0x66C

IEEE 802.15.4 clear channel assessment control



| Bit number              | 31 30 29 28 27 26 25 24 23 22 21 20 19 18 17 16 15 14 13 12 11 10 9 8 7 6 5 4 3 2 1 0 |                  |       |  |  |  |  |  |  |  |  |  |  |  |  |  |  |  |  |  |  |  |  |  |  |  |  |  |  |  |  |
|-------------------------|---|------------------|-------|--|--|--|--|--|--|--|--|--|--|--|--|--|--|--|--|--|--|--|--|--|--|--|--|--|--|--|--|
| ID                      | D D D D D D D D C C C C C C C C B B B B B B B B A A A                                 |                  |       |  |  |  |  |  |  |  |  |  |  |  |  |  |  |  |  |  |  |  |  |  |  |  |  |  |  |  |  |
| <b>Reset 0x052D0000</b> | <b>0 0 0 0 0 1 0 1 0 0 1 0 1 1 0 1 0 0 0 0 0 0 0 0 0 0 0 0 0 0 0 0</b>                |                  |       |  |  |  |  |  |  |  |  |  |  |  |  |  |  |  |  |  |  |  |  |  |  |  |  |  |  |  |  |
| ID                      | Acce Field  | Value ID         | Value | Description  |  |  |  |  |  |  |  |  |  |  |  |  |  |  |  |  |  |  |  |  |  |  |  |  |  |  |  |
| A                       | RW CCAMODE  |                  |       | CCA mode of operation  |  |  |  |  |  |  |  |  |  |  |  |  |  |  |  |  |  |  |  |  |  |  |  |  |  |  |  |
|                         |   | EdMode           | 0     | Energy above threshold   |  |  |  |  |  |  |  |  |  |  |  |  |  |  |  |  |  |  |  |  |  |  |  |  |  |  |  |
|                         |   |                  |       | Will report busy whenever energy is detected above CCAEDTHRES  |  |  |  |  |  |  |  |  |  |  |  |  |  |  |  |  |  |  |  |  |  |  |  |  |  |  |  |
|                         |   | CarrierMode      | 1     | Carrier seen   |  |  |  |  |  |  |  |  |  |  |  |  |  |  |  |  |  |  |  |  |  |  |  |  |  |  |  |
|                         |   |                  |       | Will report busy whenever compliant IEEE 802.15.4 signal is seen   |  |  |  |  |  |  |  |  |  |  |  |  |  |  |  |  |  |  |  |  |  |  |  |  |  |  |  |
|                         |   | CarrierAndEdMode | 2     | Energy above threshold AND carrier seen  |  |  |  |  |  |  |  |  |  |  |  |  |  |  |  |  |  |  |  |  |  |  |  |  |  |  |  |
|                         |   | CarrierOrEdMode  | 3     | Energy above threshold OR carrier seen   |  |  |  |  |  |  |  |  |  |  |  |  |  |  |  |  |  |  |  |  |  |  |  |  |  |  |  |
|                         |   | EdModeTest1      | 4     | Energy above threshold test mode that will abort when first ED measurement over threshold is seen. No averaging. |  |  |  |  |  |  |  |  |  |  |  |  |  |  |  |  |  |  |  |  |  |  |  |  |  |  |  |
| B                       | RW CCAEDTHRES   |                  |       | CCA energy busy threshold. Used in all the CCA modes except CarrierMode.   |  |  |  |  |  |  |  |  |  |  |  |  |  |  |  |  |  |  |  |  |  |  |  |  |  |  |  |
|                         |   |                  |       | Must be converted from IEEE 802.15.4 range by dividing by factor ED_RSSISCALE - similar to EDSAMPLE register     |  |  |  |  |  |  |  |  |  |  |  |  |  |  |  |  |  |  |  |  |  |  |  |  |  |  |  |
| C                       | RW CCACORRTHRES   |                  |       | CCA correlator busy threshold. Only relevant to CarrierMode, CarrierAndEdMode and CarrierOrEdMode.               |  |  |  |  |  |  |  |  |  |  |  |  |  |  |  |  |  |  |  |  |  |  |  |  |  |  |  |
| D                       | RW CCACORRCNT   |                  |       | Limit for occurrences above CCACORRTHRES. When not equal to zero the correlator based signal detect is enabled.  |  |  |  |  |  |  |  |  |  |  |  |  |  |  |  |  |  |  |  |  |  |  |  |  |  |  |  |

## 6.20.14.75 POWER

Address offset: 0xFFC

Peripheral power control

| Bit number              | 31 30 29 28 27 26 25 24 23 22 21 20 19 18 17 16 15 14 13 12 11 10 9 8 7 6 5 4 3 2 1 0 |          |       |   |  |  |  |  |  |  |  |  |  |  |  |  |  |  |  |  |  |  |  |  |  |  |  |  |  |  |  |
|-------------------------|---|----------|-------|---|--|--|--|--|--|--|--|--|--|--|--|--|--|--|--|--|--|--|--|--|--|--|--|--|--|--|--|
| ID                      | A   |          |       |   |  |  |  |  |  |  |  |  |  |  |  |  |  |  |  |  |  |  |  |  |  |  |  |  |  |  |  |
| <b>Reset 0x00000001</b> | <b>0 1</b>                |          |       |   |  |  |  |  |  |  |  |  |  |  |  |  |  |  |  |  |  |  |  |  |  |  |  |  |  |  |  |
| ID                      | Acce Field  | Value ID | Value | Description   |  |  |  |  |  |  |  |  |  |  |  |  |  |  |  |  |  |  |  |  |  |  |  |  |  |  |  |
| A                       | RW POWER  |          |       | Peripheral power control. The peripheral and its registers will be reset to its initial state by switching the peripheral off and then back on again. |  |  |  |  |  |  |  |  |  |  |  |  |  |  |  |  |  |  |  |  |  |  |  |  |  |  |  |
|                         |   | Disabled | 0     | Peripheral is powered off   |  |  |  |  |  |  |  |  |  |  |  |  |  |  |  |  |  |  |  |  |  |  |  |  |  |  |  |
|                         |   | Enabled  | 1     | Peripheral is powered on  |  |  |  |  |  |  |  |  |  |  |  |  |  |  |  |  |  |  |  |  |  |  |  |  |  |  |  |

## 6.20.15 Electrical specification

### 6.20.15.1 General radio characteristics

| Symbol                    | Description                      | Min. | Typ. | Max. | Units       |
|---------------------------|----------------------------------|------|------|------|-------------|
| $f_{OP}$                  | Operating frequencies            | 2360 |      | 2500 | MHz         |
| $f_{PLL,CH,SP}$           | PLL channel spacing              |      | 1    |      | MHz         |
| $f_{DELTA,1M}$            | Frequency deviation @ 1 Mbps     |      | ±170 |      | kHz         |
| $f_{DELTA,BLE,1M}$        | Frequency deviation @ BLE 1 Mbps |      | ±250 |      | kHz         |
| $f_{DELTA,2M}$            | Frequency deviation @ 2 Mbps     |      | ±320 |      | kHz         |
| $f_{DELTA,BLE,2M}$        | Frequency deviation @ BLE 2 Mbps |      | ±500 |      | kHz         |
| $f_{skBPS}$               | On-the-air data rate             | 125  |      | 2000 | kbps        |
| $f_{chip, IEEE 802.15.4}$ | Chip rate in IEEE 802.15.4 mode  |      | 2000 |      | kchip,<br>s |

### 6.20.15.2 Radio current consumption (transmitter)

| Symbol                         | Description   | Min. | Typ. | Max. | Units |
|--------------------------------|---|------|------|------|-------|
| $I_{TX,PLUS8dBm,DCDC}$         | TX only run current (DC/DC, 3 V) $P_{RF} = +8$ dBm                  |      | 14.8 |      | mA    |
| $I_{TX,PLUS8dBm}$              | TX only run current $P_{RF} = +8$ dBm                               |      | 32.7 |      | mA    |
| $I_{TX,PLUS4dBm,DCDC}$         | TX only run current (DC/DC, 3 V) $P_{RF} = +4$ dBm                  |      | 9.6  |      | mA    |
| $I_{TX,PLUS4dBm}$              | TX only run current $P_{RF} = +4$ dBm                               |      | 21.4 |      | mA    |
| $I_{TX,0dBm,DCDC,5V,REGOHIGH}$ | TX only run current (DC/DC, 5 V, REGO out = 3.3 V) $P_{RF} = 0$ dBm |      | 3.0  |      | mA    |
| $I_{TX,0dBm,DCDC,5V,REGOLOW}$  | TX only run current (DC/DC, 5 V, REGO out = 1.8 V) $P_{RF} = 0$ dBm |      | 3.0  |      | mA    |
| $I_{TX,0dBm,DCDC}$             | TX only run current (DC/DC, 3 V) $P_{RF} = 0$ dBm                   |      | 4.8  |      | mA    |
| $I_{TX,0dBm}$                  | TX only run current $P_{RF} = 0$ dBm                                |      | 10.6 |      | mA    |
| $I_{TX,MINUS4dBm,DCDC}$        | TX only run current DC/DC, 3 V $P_{RF} = -4$ dBm                    |      | 3.1  |      | mA    |
| $I_{TX,MINUS4dBm}$             | TX only run current $P_{RF} = -4$ dBm                               |      | 8.1  |      | mA    |
| $I_{TX,MINUS8dBm,DCDC}$        | TX only run current DC/DC, 3 V $P_{RF} = -8$ dBm                    |      | 3.3  |      | mA    |
| $I_{TX,MINUS8dBm}$             | TX only run current $P_{RF} = -8$ dBm                               |      | 7.2  |      | mA    |
| $I_{TX,MINUS12dBm,DCDC}$       | TX only run current DC/DC, 3 V $P_{RF} = -12$ dBm                   |      | 3.0  |      | mA    |
| $I_{TX,MINUS12dBm}$            | TX only run current $P_{RF} = -12$ dBm                              |      | 6.4  |      | mA    |
| $I_{TX,MINUS16dBm,DCDC}$       | TX only run current DC/DC, 3 V $P_{RF} = -16$ dBm                   |      | 2.8  |      | mA    |
| $I_{TX,MINUS16dBm}$            | TX only run current $P_{RF} = -16$ dBm                              |      | 6.0  |      | mA    |
| $I_{TX,MINUS20dBm,DCDC}$       | TX only run current DC/DC, 3 V $P_{RF} = -20$ dBm                   |      | 2.7  |      | mA    |
| $I_{TX,MINUS20dBm}$            | TX only run current $P_{RF} = -20$ dBm                              |      | 5.6  |      | mA    |
| $I_{TX,MINUS40dBm,DCDC}$       | TX only run current DC/DC, 3 V $P_{RF} = -40$ dBm                   |      | 2.3  |      | mA    |
| $I_{TX,MINUS40dBm}$            | TX only run current $P_{RF} = -40$ dBm                              |      | 4.6  |      | mA    |
| $I_{START,TX,DCDC}$            | TX start-up current DC/DC, 3 V, $P_{RF} = 4$ dBm                    |      | 5.2  |      | mA    |
| $I_{START,TX}$                 | TX start-up current, $P_{RF} = 4$ dBm                               |      | 11.0 |      | mA    |

### 6.20.15.3 Radio current consumption (Receiver)

| Symbol                 | Description  | Min. | Typ. | Max. | Units |
|------------------------|--|------|------|------|-------|
| $I_{RX,1M,DCDC}$       | RX only run current (DC/DC, 3 V) 1 Mbps/1 Mbps BLE |      | 4.6  |      | mA    |
| $I_{RX,1M}$            | RX only run current (LDO, 3 V) 1 Mbps/1 Mbps BLE   |      | 9.9  |      | mA    |
| $I_{RX,2M,DCDC}$       | RX only run current (DC/DC, 3 V) 2 Mbps/2 Mbps BLE |      | 5.2  |      | mA    |
| $I_{RX,2M}$            | RX only run current (LDO, 3 V) 2 Mbps/2 Mbps BLE   |      | 11.1 |      | mA    |
| $I_{START,RX,1M,DCDC}$ | RX start-up current (DC/DC, 3 V) 1 Mbps/1 Mbps BLE |      | 3.7  |      | mA    |
| $I_{START,RX,1M}$      | RX start-up current 1 Mbps/1 Mbps BLE              |      | 6.7  |      | mA    |

## 6.20.15.4 Transmitter specification

| Symbol                       | Description  | Min. | Typ.  | Max. | Units |
|------------------------------|--|------|-------|------|-------|
| $P_{RF}$                     | Maximum output power                               |      | 8.0   |      | dBm   |
| $P_{RFC}$                    | RF power control range                             |      | 28.0  |      | dB    |
| $P_{RFCR}$                   | RF power accuracy                                  |      |       | ±4   | dB    |
| $P_{RF1,1}$                  | 1st Adjacent Channel Transmit Power 1 MHz (1 Mbps) |      | -24.8 |      | dBc   |
| $P_{RF2,1}$                  | 2nd Adjacent Channel Transmit Power 2 MHz (1 Mbps) |      | -54.0 |      | dBc   |
| $P_{RF1,2}$                  | 1st Adjacent Channel Transmit Power 2 MHz (2 Mbps) |      | -25   |      | dBc   |
| $P_{RF2,2}$                  | 2nd Adjacent Channel Transmit Power 4 MHz (2 Mbps) |      | -54.0 |      | dBc   |
| $E_{VM}$                     | Error vector magnitude IEEE 802.15.4               |      | 8     |      | %rms  |
| $P_{harm2nd, IEEE 802.15.4}$ | 2nd harmonics in IEEE 802.15.4 mode                |      | -51.0 |      | dBm   |
| $P_{harm3rd, IEEE 802.15.4}$ | 3rd harmonics in IEEE 802.15.4                     |      | -48.0 |      | dBm   |

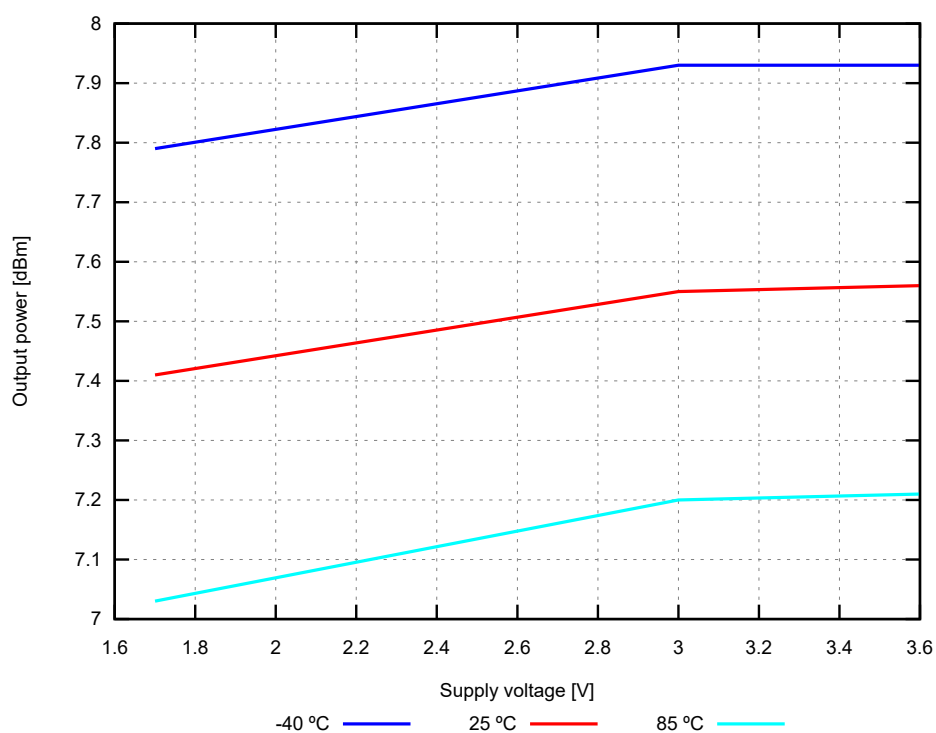


Figure 129: Output power, 1 Mbps Bluetooth low energy mode, at maximum TXPOWER setting (typical values)

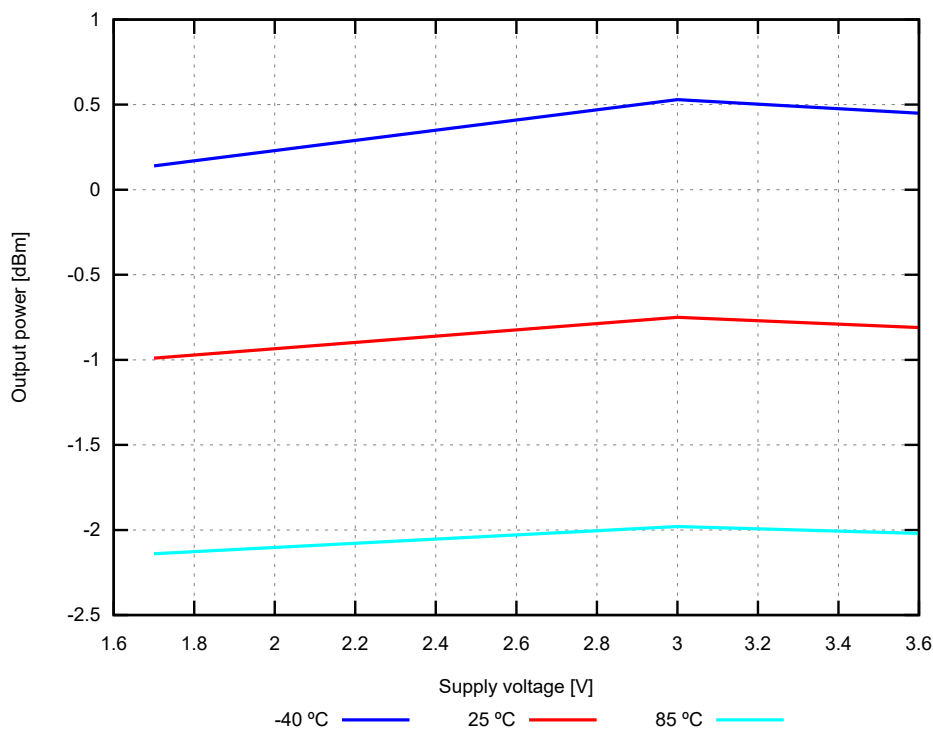


Figure 130: Output power, 1 Mbps Bluetooth low energy mode, at 0 dBm TXPOWER setting (typical values)

### 6.20.15.5 Receiver operation

| Symbol                          | Description   | Min. | Typ. | Max. | Units |
|---------------------------------|---|------|------|------|-------|
| P <sub>RX,MAX</sub>             | Maximum received signal strength at < 0.1% PER  |      | 0    |      | dBm   |
| P <sub>SENS,IT,1M</sub>         | Sensitivity, 1 Mbps nRF mode ideal transmitter <sup>19</sup>                                |      | -93  |      | dBm   |
| P <sub>SENS,IT,2M</sub>         | Sensitivity, 2 Mbps nRF mode ideal transmitter <sup>20</sup>                                |      | -89  |      | dBm   |
| P <sub>SENS,IT,SP,1M,BLE</sub>  | Sensitivity, 1 Mbps BLE ideal transmitter, packet length ≤ 37 bytes BER=1E-3 <sup>21</sup>  |      | -95  |      | dBm   |
| P <sub>SENS,IT,LP,1M,BLE</sub>  | Sensitivity, 1 Mbps BLE ideal transmitter, packet length ≥ 128 bytes BER=1E-4 <sup>22</sup> |      | -94  |      | dBm   |
| P <sub>SENS,IT,SP,2M,BLE</sub>  | Sensitivity, 2 Mbps BLE ideal transmitter, packet length ≤ 37 bytes                         |      | -92  |      | dBm   |
| P <sub>SENS,IT,BLE LE125k</sub> | Sensitivity, 125 kbps BLE mode  |      | -103 |      | dBm   |
| P <sub>SENS,IT,BLE LE500k</sub> | Sensitivity, 500 kbps BLE mode  |      | -99  |      | dBm   |
| P <sub>SENS,IEEE 802.15.4</sub> | Sensitivity in IEEE 802.15.4 mode   |      | -100 |      | dBm   |

<sup>19</sup> Typical sensitivity applies when ADDR0 is used for receiver address correlation. When ADDR[1...7] are used for receiver address correlation, the typical sensitivity for this mode is degraded by 3 dB.

<sup>20</sup> Typical sensitivity applies when ADDR0 is used for receiver address correlation. When ADDR[1..7] are used for receiver address correlation, the typical sensitivity for this mode is degraded by 3 dB.

<sup>21</sup> As defined in the *Bluetooth Core Specification v4.0 Volume 6: Core System Package (Low Energy Controller Volume)*

<sup>22</sup> Equivalent BER limit < 10E-04

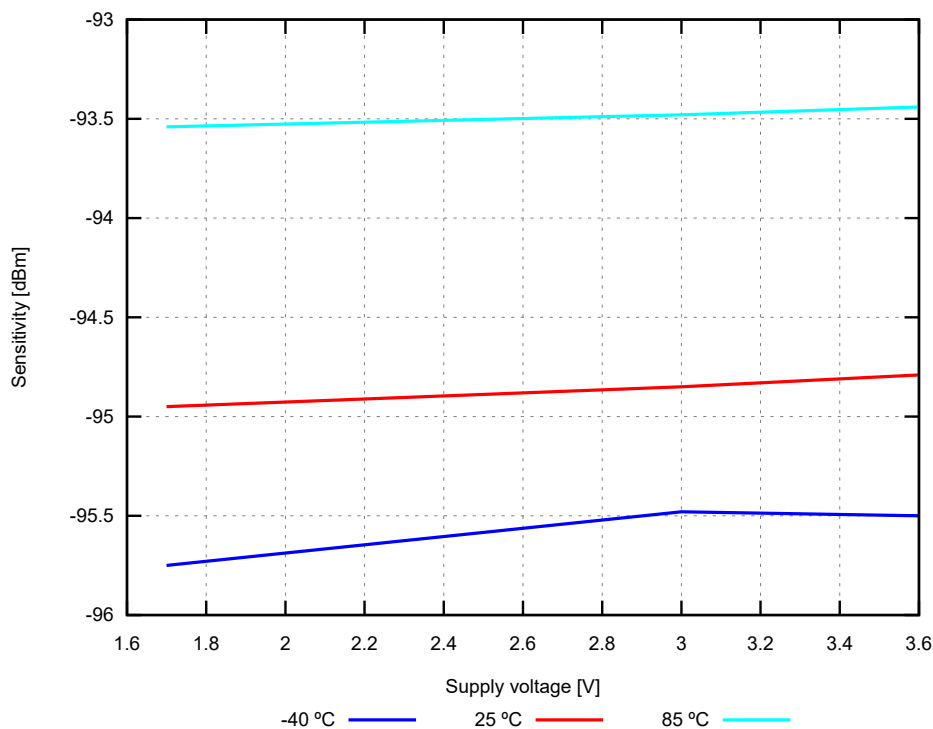


Figure 131: Sensitivity, 1 Mbps Bluetooth low energy mode, Regulator = LDO (typical values)

### 6.20.15.6 RX selectivity

RX selectivity with equal modulation on interfering signal<sup>23</sup>

| Symbol                           | Description  | Min. | Typ. | Max. | Units |
|----------------------------------|--|------|------|------|-------|
| C/l <sub>1M</sub> ,co-channel    | 1Mbps mode, Co-Channel interference                      |      | 9    |      | dB    |
| C/l <sub>1M</sub> ,-1MHz         | 1 Mbps mode, Adjacent (-1 MHz) interference              |      | -2   |      | dB    |
| C/l <sub>1M</sub> ,+1MHz         | 1 Mbps mode, Adjacent (+1 MHz) interference              |      | -10  |      | dB    |
| C/l <sub>1M</sub> ,-2MHz         | 1 Mbps mode, Adjacent (-2 MHz) interference              |      | -19  |      | dB    |
| C/l <sub>1M</sub> ,+2MHz         | 1 Mbps mode, Adjacent (+2 MHz) interference              |      | -42  |      | dB    |
| C/l <sub>1M</sub> ,-3MHz         | 1 Mbps mode, Adjacent (-3 MHz) interference              |      | -38  |      | dB    |
| C/l <sub>1M</sub> ,+3MHz         | 1 Mbps mode, Adjacent (+3 MHz) interference              |      | -48  |      | dB    |
| C/l <sub>1M</sub> ,≥6MHz         | 1 Mbps mode, Adjacent (≥6 MHz) interference              |      | -50  |      | dB    |
| C/l <sub>1M</sub> BLE,co-channel | 1 Mbps BLE mode, Co-Channel interference                 |      | 6    |      | dB    |
| C/l <sub>1M</sub> BLE,-1MHz      | 1 Mbps BLE mode, Adjacent (-1 MHz) interference          |      | -2   |      | dB    |
| C/l <sub>1M</sub> BLE,+1MHz      | 1 Mbps BLE mode, Adjacent (+1 MHz) interference          |      | -9   |      | dB    |
| C/l <sub>1M</sub> BLE,-2MHz      | 1 Mbps BLE mode, Adjacent (-2 MHz) interference          |      | -22  |      | dB    |
| C/l <sub>1M</sub> BLE,+2MHz      | 1 Mbps BLE mode, Adjacent (+2 MHz) interference          |      | -46  |      | dB    |
| C/l <sub>1M</sub> BLE,>3MHz      | 1 Mbps BLE mode, Adjacent (≥3 MHz) interference          |      | -50  |      | dB    |
| C/l <sub>1M</sub> BLE,image      | Image frequency interference                             |      | -22  |      | dB    |
| C/l <sub>1M</sub> BLE,image,1MHz | Adjacent (1 MHz) interference to in-band image frequency |      | -35  |      | dB    |
| C/l <sub>2M</sub> ,co-channel    | 2 Mbps mode, Co-Channel interference                     |      | 10   |      | dB    |
| C/l <sub>2M</sub> ,-2MHz         | 2 Mbps mode, Adjacent (-2 MHz) interference              |      | 6    |      | dB    |
| C/l <sub>2M</sub> ,+2MHz         | 2 Mbps mode, Adjacent (+2 MHz) interference              |      | -19  |      | dB    |
| C/l <sub>2M</sub> ,-4MHz         | 2 Mbps mode, Adjacent (-4 MHz) interference              |      | -20  |      | dB    |
| C/l <sub>2M</sub> ,+4MHz         | 2 Mbps mode, Adjacent (+4 MHz) interference              |      | -44  |      | dB    |

<sup>23</sup> Desired signal level at PIN = -67 dBm. One interferer is used, having equal modulation as the desired signal. The input power of the interferer where the sensitivity equals BER = 0.1% is presented

| Symbol                                | Description  | Min. | Typ. | Max. | Units |
|---------------------------------------|--|------|------|------|-------|
| C/l <sub>2M,-6MHz</sub>               | 2 Mbps mode, Adjacent (-6 MHz) interference              |      | -42  |      | dB    |
| C/l <sub>2M,+6MHz</sub>               | 2 Mbps mode, Adjacent (+6 MHz) interference              |      | -42  |      | dB    |
| C/l <sub>2M,≥12MHz</sub>              | 2 Mbps mode, Adjacent (≥12 MHz) interference             |      | -52  |      | dB    |
| C/l <sub>2M BLE,co-channel</sub>      | 2 Mbps BLE mode, Co-Channel interference                 |      | 6.8  |      | dB    |
| C/l <sub>2M BLE,±2MHz</sub>           | 2 Mbps BLE mode, Adjacent (±2 MHz) interference          |      | -10  |      | dB    |
| C/l <sub>2M BLE,±4MHz</sub>           | 2 Mbps BLE mode, Adjacent (±4 MHz) interference          |      | -45  |      | dB    |
| C/l <sub>2M BLE,≥6MHz</sub>           | 2 Mbps BLE mode, Adjacent (≥6 MHz) interference          |      | -48  |      | dB    |
| C/l <sub>2M BLE,image</sub>           | Image frequency interference                             |      | -24  |      | dB    |
| C/l <sub>2M BLE,image, 2MHz</sub>     | Adjacent (2 MHz) interference to in-band image frequency |      | -35  |      | dB    |
| C/l <sub>125k BLE LR,co-channel</sub> | 125 kbps BLE LR mode, Co-Channel interference            |      | 4.4  |      | dB    |
| C/l <sub>125k BLE LR,-1MHz</sub>      | 125 kbps BLE LR mode, Adjacent (-1 MHz) interference     |      | -4.0 |      | dB    |
| C/l <sub>125k BLE LR,+1MHz</sub>      | 125 kbps BLE LR mode, Adjacent (+1 MHz) interference     |      | -12  |      | dB    |
| C/l <sub>125k BLE LR,-2MHz</sub>      | 125 kbps BLE LR mode, Adjacent (-2 MHz) interference     |      | -28  |      | dB    |
| C/l <sub>125k BLE LR,+2MHz</sub>      | 125 kbps BLE LR mode, Adjacent (+2 MHz) interference     |      | -50  |      | dB    |
| C/l <sub>125k BLE LR,&gt;3MHz</sub>   | 125 kbps BLE LR mode, Adjacent (≥3 MHz) interference     |      | -55  |      | dB    |
| C/l <sub>125k BLE LR,image</sub>      | Image frequency interference                             |      | -29  |      | dB    |

### 6.20.15.7 RX intermodulation

#### RX intermodulation<sup>24</sup>

| Symbol                      | Description   | Min. | Typ. | Max. | Units |
|-----------------------------|---|------|------|------|-------|
| P <sub>IMD,5TH,1M</sub>     | IMD performance, 1 Mbps, 5th offset channel, packet length ≤ 37 bytes     |      | -33  |      | dBm   |
| P <sub>IMD,5TH,1M,BLE</sub> | IMD performance, BLE 1 Mbps, 5th offset channel, packet length ≤ 37 bytes |      | -30  |      | dBm   |
| P <sub>IMD,5TH,2M</sub>     | IMD performance, 2 Mbps, 5th offset channel, packet length ≤ 37 bytes     |      | -33  |      | dBm   |
| P <sub>IMD,5TH,2M,BLE</sub> | IMD performance, BLE 2 Mbps, 5th offset channel, packet length ≤ 37 bytes |      | -31  |      | dBm   |

### 6.20.15.8 Radio timing

| Symbol                        | Description  | Min. | Typ. | Max. | Units |
|-------------------------------|--|------|------|------|-------|
| t <sub>TXEN,BLE,1M</sub>      | Time between TXEN task and READY event after channel FREQUENCY configured (1 Mbps BLE and 150 μs TIFS)                   | 140  |      | 140  | μs    |
| t <sub>TXEN,FAST,BLE,1M</sub> | Time between TXEN task and READY event after channel FREQUENCY configured (1 Mbps BLE with fast ramp-up and 150 μs TIFS) | 40   |      | 40   | μs    |
| t <sub>TXDIS,BLE,1M</sub>     | When in TX, delay between DISABLE task and DISABLED event for MODE = Nrf_1Mbit and MODE = Ble_1Mbit                      | 6    |      | 6    | μs    |
| t <sub>RXEN,BLE,1M</sub>      | Time between the RXEN task and READY event after channel FREQUENCY configured (1 Mbps BLE)                               | 140  |      | 140  | μs    |
| t <sub>RXEN,FAST,BLE,1M</sub> | Time between the RXEN task and READY event after channel FREQUENCY configured (1 Mbps BLE with fast ramp-up)             | 40   |      | 40   | μs    |
| t <sub>RXDIS,BLE,1M</sub>     | When in RX, delay between DISABLE task and DISABLED event for MODE = Nrf_1Mbit and MODE = Ble_1Mbit                      | 0    |      | 0    | μs    |

<sup>24</sup> Desired signal level at PIN = -64 dBm. Two interferers with equal input power are used. The interferer closest in frequency is not modulated, the other interferer is modulated equal with the desired signal. The input power of the interferers where the sensitivity equals BER = 0.1% is presented.

| Symbol                               | Description   | Min. | Typ. | Max. | Units |
|--------------------------------------|---|------|------|------|-------|
| t <sub>TXDIS,BLE,2M</sub>            | When in TX, delay between DISABLE task and DISABLED event for MODE = Nrf_2Mbit and MODE = Ble_2Mbit             | 4    |      | 4    | μs    |
| t <sub>RXDIS,BLE,2M</sub>            | When in RX, delay between DISABLE task and DISABLED event for MODE = Nrf_2Mbit and MODE = Ble_2Mbit             | 0    |      | 0    | μs    |
| t <sub>TXEN,IEEE 802.15.4</sub>      | Time between TXEN task and READY event after channel FREQUENCY configured (IEEE 802.15.4)                       | 130  |      | 130  | μs    |
| t <sub>TXEN,FAST,IEEE 802.15.4</sub> | Time between TXEN task and READY event after channel FREQUENCY configured (IEEE 802.15.4 with fast ramp-up)     | 40   |      | 40   | μs    |
| t <sub>TXDIS,IEEE 802.15.4</sub>     | When in TX, delay between DISABLE task and DISABLED event (IEEE 802.15.4)                                       | 21   |      | 21   | μs    |
| t <sub>RXEN,IEEE 802.15.4</sub>      | Time between the RXEN task and READY event after channel FREQUENCY configured (IEEE 802.15.4)                   | 130  |      | 130  | μs    |
| t <sub>RXEN,FAST,IEEE 802.15.4</sub> | Time between the RXEN task and READY event after channel FREQUENCY configured (IEEE 802.15.4 with fast ramp-up) | 40   |      | 40   | μs    |
| t <sub>RXDIS,IEEE 802.15.4</sub>     | When in RX, delay between DISABLE task and DISABLED event (IEEE 802.15.4)                                       | 0.5  |      | 0.5  | μs    |
| t <sub>RX-to-TX turnaround</sub>     | Maximum TX-to-RX or RX-to-TX turnaround time in IEEE 802.15.4 mode  |      | 40   |      | μs    |

### 6.20.15.9 Received signal strength indicator (RSSI) specifications

| Symbol                     | Description                                  | Min. | Typ. | Max. | Units |
|----------------------------|--|------|------|------|-------|
| RSSI <sub>ACC</sub>        | RSSI accuracy valid range -90 to -20 dBm     |      | ±2   |      | dB    |
| RSSI <sub>RESOLUTION</sub> | RSSI resolution                              |      | 1    |      | dB    |
| RSSI <sub>PERIOD</sub>     | RSSI sampling time from RSSI_START task      |      | 0.25 |      | μs    |
| RSSI <sub>SETTLE</sub>     | RSSI settling time after signal level change |      | 15   |      | μs    |

### 6.20.15.10 Jitter

| Symbol                      | Description   | Min. | Typ. | Max. | Units |
|-----------------------------|---|------|------|------|-------|
| t <sub>DISABLEDJITTER</sub> | Jitter on DISABLED event relative to END event when shortcut between END and DISABLE is enabled |      | 0.25 |      | μs    |
| t <sub>READYJITTER</sub>    | Jitter on READY event relative to TXEN and RXEN task  |      | 0.25 |      | μs    |

### 6.20.15.11 IEEE 802.15.4 energy detection constants

| Symbol       | Description   | Min. | Typ. | Max. | Units |
|--------------|---|------|------|------|-------|
| ED_RSSISCALE | Scaling value when converting between hardware-reported value and dBm | 4    | 4    | 4    |       |
| ED_RSSIOFFS  | Offset value when converting between hardware-reported value and dBm  | -92  | -92  | -92  |       |

## 6.21 RNG — Random number generator

The Random number generator (RNG) generates true non-deterministic random numbers based on internal thermal noise that are suitable for cryptographic purposes. The RNG does not require a seed value.

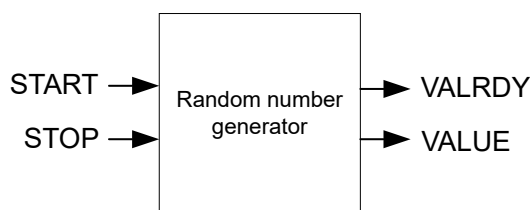


Figure 132: Random number generator

The RNG is started by triggering the START task and stopped by triggering the STOP task. When started, new random numbers are generated continuously and written to the VALUE register when ready. A VALRDY event is generated for every new random number that is written to the VALUE register. This means that after a VALRDY event is generated, the CPU has the time until the next VALRDY event to read out the random number from the VALUE register before it is overwritten by a new random number.

### 6.21.1 Bias correction

A bias correction algorithm is employed on the internal bit stream to remove any bias toward 1 or 0. The bits are then queued into an eight-bit register for parallel readout from the VALUE register.

It is possible to enable bias correction in the CONFIG register. This will result in slower value generation, but will ensure a statistically uniform distribution of the random values.

### 6.21.2 Speed

The time needed to generate one random byte of data is unpredictable, and may vary from one byte to the next. This is especially true when bias correction is enabled.

### 6.21.3 Registers

| Base address | Peripheral | Instance | Description             | Configuration |
|--------------|------------|----------|-------------------------|---------------|
| 0x4000D000   | RNG        | RNG      | Random number generator |               |

Table 91: Instances

| Register      | Offset | Description   |
|---------------|--------|---|
| TASKS_START   | 0x000  | Task starting the random number generator                                       |
| TASKS_STOP    | 0x004  | Task stopping the random number generator                                       |
| EVENTS_VALRDY | 0x100  | Event being generated for every new random number written to the VALUE register |
| SHORTS        | 0x200  | Shortcuts between local events and tasks  |
| INTENSET      | 0x304  | Enable interrupt  |
| INTENCLR      | 0x308  | Disable interrupt   |
| CONFIG        | 0x504  | Configuration register  |
| VALUE         | 0x508  | Output random number  |

Table 92: Register overview

#### 6.21.3.1 TASKS\_START

Address offset: 0x000

Task starting the random number generator



| Bit number | 31         | 30          | 29    | 28  | 27 | 26 | 25 | 24 | 23 | 22 | 21 | 20 | 19 | 18 | 17 | 16 | 15 | 14 | 13 | 12 | 11 | 10 | 9 | 8 | 7 | 6 | 5 | 4 | 3 | 2 | 1 | 0 |   |
|------------|------------|-------------|-------|---|----|----|----|----|----|----|----|----|----|----|----|----|----|----|----|----|----|----|---|---|---|---|---|---|---|---|---|---|---|
| ID         |            |             |       |   |    |    |    |    |    |    |    |    |    |    |    |    |    |    |    |    |    |    |   |   |   |   |   |   |   |   |   | A |   |
| Reset      | 0x00000000 |             |       |   |    |    |    |    |    |    |    |    |    |    |    |    |    |    |    |    |    |    |   |   |   |   |   |   |   |   |   |   |   |
| 0          | 0          | 0           | 0     | 0   | 0  | 0  | 0  | 0  | 0  | 0  | 0  | 0  | 0  | 0  | 0  | 0  | 0  | 0  | 0  | 0  | 0  | 0  | 0 | 0 | 0 | 0 | 0 | 0 | 0 | 0 | 0 | 0 | 0 |
| ID         | Acce Field | Value ID    | Value | Description                               |    |    |    |    |    |    |    |    |    |    |    |    |    |    |    |    |    |    |   |   |   |   |   |   |   |   |   |   |   |
| A          | W          | TASKS_START |       | Task starting the random number generator |    |    |    |    |    |    |    |    |    |    |    |    |    |    |    |    |    |    |   |   |   |   |   |   |   |   |   |   |   |
|            |            | Trigger     | 1     | Trigger task                              |    |    |    |    |    |    |    |    |    |    |    |    |    |    |    |    |    |    |   |   |   |   |   |   |   |   |   |   |   |

### 6.21.3.2 TASKS\_STOP

Address offset: 0x004

Task stopping the random number generator

| Bit number | 31         | 30         | 29    | 28  | 27 | 26 | 25 | 24 | 23 | 22 | 21 | 20 | 19 | 18 | 17 | 16 | 15 | 14 | 13 | 12 | 11 | 10 | 9 | 8 | 7 | 6 | 5 | 4 | 3 | 2 | 1 | 0 |
|------------|------------|------------|-------|---|----|----|----|----|----|----|----|----|----|----|----|----|----|----|----|----|----|----|---|---|---|---|---|---|---|---|---|---|
| ID         |            |            |       |   |    |    |    |    |    |    |    |    |    |    |    |    |    |    |    |    |    |    |   |   |   |   |   |   |   |   |   | A |
| Reset      | 0x00000000 |            |       |   |    |    |    |    |    |    |    |    |    |    |    |    |    |    |    |    |    |    |   |   |   |   |   |   |   |   |   |   |
| 0          | 0          | 0          | 0     | 0   | 0  | 0  | 0  | 0  | 0  | 0  | 0  | 0  | 0  | 0  | 0  | 0  | 0  | 0  | 0  | 0  | 0  | 0  | 0 | 0 | 0 | 0 | 0 | 0 | 0 | 0 | 0 | 0 |
| ID         | Acce Field | Value ID   | Value | Description                               |    |    |    |    |    |    |    |    |    |    |    |    |    |    |    |    |    |    |   |   |   |   |   |   |   |   |   |   |
| A          | W          | TASKS_STOP |       | Task stopping the random number generator |    |    |    |    |    |    |    |    |    |    |    |    |    |    |    |    |    |    |   |   |   |   |   |   |   |   |   |   |
|            |            | Trigger    | 1     | Trigger task                              |    |    |    |    |    |    |    |    |    |    |    |    |    |    |    |    |    |    |   |   |   |   |   |   |   |   |   |   |

### 6.21.3.3 EVENTS\_VALRDY

Address offset: 0x100

Event being generated for every new random number written to the VALUE register

| Bit number | 31         | 30            | 29    | 28  | 27 | 26 | 25 | 24 | 23 | 22 | 21 | 20 | 19 | 18 | 17 | 16 | 15 | 14 | 13 | 12 | 11 | 10 | 9 | 8 | 7 | 6 | 5 | 4 | 3 | 2 | 1 | 0 |
|------------|------------|---------------|-------|---|----|----|----|----|----|----|----|----|----|----|----|----|----|----|----|----|----|----|---|---|---|---|---|---|---|---|---|---|
| ID         |            |               |       |   |    |    |    |    |    |    |    |    |    |    |    |    |    |    |    |    |    |    |   |   |   |   |   |   |   |   |   | A |
| Reset      | 0x00000000 |               |       |   |    |    |    |    |    |    |    |    |    |    |    |    |    |    |    |    |    |    |   |   |   |   |   |   |   |   |   |   |
| 0          | 0          | 0             | 0     | 0   | 0  | 0  | 0  | 0  | 0  | 0  | 0  | 0  | 0  | 0  | 0  | 0  | 0  | 0  | 0  | 0  | 0  | 0  | 0 | 0 | 0 | 0 | 0 | 0 | 0 | 0 | 0 | 0 |
| ID         | Acce Field | Value ID      | Value | Description   |    |    |    |    |    |    |    |    |    |    |    |    |    |    |    |    |    |    |   |   |   |   |   |   |   |   |   |   |
| A          | RW         | EVENTS_VALRDY |       | Event being generated for every new random number written to the VALUE register |    |    |    |    |    |    |    |    |    |    |    |    |    |    |    |    |    |    |   |   |   |   |   |   |   |   |   |   |
|            |            | NotGenerated  | 0     | Event not generated   |    |    |    |    |    |    |    |    |    |    |    |    |    |    |    |    |    |    |   |   |   |   |   |   |   |   |   |   |
|            |            | Generated     | 1     | Event generated   |    |    |    |    |    |    |    |    |    |    |    |    |    |    |    |    |    |    |   |   |   |   |   |   |   |   |   |   |

### 6.21.3.4 SHORTS

Address offset: 0x200

Shortcuts between local events and tasks

| Bit number | 31         | 30          | 29    | 28  | 27 | 26 | 25 | 24 | 23 | 22 | 21 | 20 | 19 | 18 | 17 | 16 | 15 | 14 | 13 | 12 | 11 | 10 | 9 | 8 | 7 | 6 | 5 | 4 | 3 | 2 | 1 | 0 |
|------------|------------|-------------|-------|---|----|----|----|----|----|----|----|----|----|----|----|----|----|----|----|----|----|----|---|---|---|---|---|---|---|---|---|---|
| ID         |            |             |       |   |    |    |    |    |    |    |    |    |    |    |    |    |    |    |    |    |    |    |   |   |   |   |   |   |   |   |   | A |
| Reset      | 0x00000000 |             |       |   |    |    |    |    |    |    |    |    |    |    |    |    |    |    |    |    |    |    |   |   |   |   |   |   |   |   |   |   |
| 0          | 0          | 0           | 0     | 0   | 0  | 0  | 0  | 0  | 0  | 0  | 0  | 0  | 0  | 0  | 0  | 0  | 0  | 0  | 0  | 0  | 0  | 0  | 0 | 0 | 0 | 0 | 0 | 0 | 0 | 0 | 0 | 0 |
| ID         | Acce Field | Value ID    | Value | Description                                 |    |    |    |    |    |    |    |    |    |    |    |    |    |    |    |    |    |    |   |   |   |   |   |   |   |   |   |   |
| A          | RW         | VALRDY_STOP |       | Shortcut between event VALRDY and task STOP |    |    |    |    |    |    |    |    |    |    |    |    |    |    |    |    |    |    |   |   |   |   |   |   |   |   |   |   |
|            |            | Disabled    | 0     | Disable shortcut                            |    |    |    |    |    |    |    |    |    |    |    |    |    |    |    |    |    |    |   |   |   |   |   |   |   |   |   |   |
|            |            | Enabled     | 1     | Enable shortcut                             |    |    |    |    |    |    |    |    |    |    |    |    |    |    |    |    |    |    |   |   |   |   |   |   |   |   |   |   |

### 6.21.3.5 INTENSET

Address offset: 0x304

Enable interrupt

| Bit number              | 31 30 29 28 27 26 25 24 23 22 21 20 19 18 17 16 15 14 13 12 11 10 9 8 7 6 5 4 3 2 1 0 |          |       |  |  |  |  |  |  |  |  |  |  |  |  |  |  |  |  |  |  |  |  |  |  |  |  |  |  |  |  |
|-------------------------|---|----------|-------|--|--|--|--|--|--|--|--|--|--|--|--|--|--|--|--|--|--|--|--|--|--|--|--|--|--|--|--|
| ID                      | A   |          |       |  |  |  |  |  |  |  |  |  |  |  |  |  |  |  |  |  |  |  |  |  |  |  |  |  |  |  |  |
| <b>Reset 0x00000000</b> | <b>0 0</b>      |          |       |  |  |  |  |  |  |  |  |  |  |  |  |  |  |  |  |  |  |  |  |  |  |  |  |  |  |  |  |
| ID                      | Acce Field  | Value ID | Value | Description                                    |  |  |  |  |  |  |  |  |  |  |  |  |  |  |  |  |  |  |  |  |  |  |  |  |  |  |  |
| A                       | RW VALRDY   |          |       | Write '1' to enable interrupt for event VALRDY |  |  |  |  |  |  |  |  |  |  |  |  |  |  |  |  |  |  |  |  |  |  |  |  |  |  |  |
|                         |   | Set      | 1     | Enable   |  |  |  |  |  |  |  |  |  |  |  |  |  |  |  |  |  |  |  |  |  |  |  |  |  |  |  |
|                         |   | Disabled | 0     | Read: Disabled                                 |  |  |  |  |  |  |  |  |  |  |  |  |  |  |  |  |  |  |  |  |  |  |  |  |  |  |  |
|                         |   | Enabled  | 1     | Read: Enabled                                  |  |  |  |  |  |  |  |  |  |  |  |  |  |  |  |  |  |  |  |  |  |  |  |  |  |  |  |

### 6.21.3.6 INTENCLR

Address offset: 0x308

Disable interrupt

| Bit number              | 31 30 29 28 27 26 25 24 23 22 21 20 19 18 17 16 15 14 13 12 11 10 9 8 7 6 5 4 3 2 1 0 |          |       |   |  |  |  |  |  |  |  |  |  |  |  |  |  |  |  |  |  |  |  |  |  |  |  |  |  |  |  |
|-------------------------|---|----------|-------|---|--|--|--|--|--|--|--|--|--|--|--|--|--|--|--|--|--|--|--|--|--|--|--|--|--|--|--|
| ID                      | A   |          |       |   |  |  |  |  |  |  |  |  |  |  |  |  |  |  |  |  |  |  |  |  |  |  |  |  |  |  |  |
| <b>Reset 0x00000000</b> | <b>0 0</b>      |          |       |   |  |  |  |  |  |  |  |  |  |  |  |  |  |  |  |  |  |  |  |  |  |  |  |  |  |  |  |
| ID                      | Acce Field  | Value ID | Value | Description                                     |  |  |  |  |  |  |  |  |  |  |  |  |  |  |  |  |  |  |  |  |  |  |  |  |  |  |  |
| A                       | RW VALRDY   |          |       | Write '1' to disable interrupt for event VALRDY |  |  |  |  |  |  |  |  |  |  |  |  |  |  |  |  |  |  |  |  |  |  |  |  |  |  |  |
|                         |   | Clear    | 1     | Disable   |  |  |  |  |  |  |  |  |  |  |  |  |  |  |  |  |  |  |  |  |  |  |  |  |  |  |  |
|                         |   | Disabled | 0     | Read: Disabled                                  |  |  |  |  |  |  |  |  |  |  |  |  |  |  |  |  |  |  |  |  |  |  |  |  |  |  |  |
|                         |   | Enabled  | 1     | Read: Enabled                                   |  |  |  |  |  |  |  |  |  |  |  |  |  |  |  |  |  |  |  |  |  |  |  |  |  |  |  |

### 6.21.3.7 CONFIG

Address offset: 0x504

Configuration register

| Bit number              | 31 30 29 28 27 26 25 24 23 22 21 20 19 18 17 16 15 14 13 12 11 10 9 8 7 6 5 4 3 2 1 0 |          |       |                 |  |  |  |  |  |  |  |  |  |  |  |  |  |  |  |  |  |  |  |  |  |  |  |  |  |  |  |
|-------------------------|---|----------|-------|-----------------|--|--|--|--|--|--|--|--|--|--|--|--|--|--|--|--|--|--|--|--|--|--|--|--|--|--|--|
| ID                      | A   |          |       |                 |  |  |  |  |  |  |  |  |  |  |  |  |  |  |  |  |  |  |  |  |  |  |  |  |  |  |  |
| <b>Reset 0x00000000</b> | <b>0 0</b>      |          |       |                 |  |  |  |  |  |  |  |  |  |  |  |  |  |  |  |  |  |  |  |  |  |  |  |  |  |  |  |
| ID                      | Acce Field  | Value ID | Value | Description     |  |  |  |  |  |  |  |  |  |  |  |  |  |  |  |  |  |  |  |  |  |  |  |  |  |  |  |
| A                       | RW DERCEN   |          |       | Bias correction |  |  |  |  |  |  |  |  |  |  |  |  |  |  |  |  |  |  |  |  |  |  |  |  |  |  |  |
|                         |   | Disabled | 0     | Disabled        |  |  |  |  |  |  |  |  |  |  |  |  |  |  |  |  |  |  |  |  |  |  |  |  |  |  |  |
|                         |   | Enabled  | 1     | Enabled         |  |  |  |  |  |  |  |  |  |  |  |  |  |  |  |  |  |  |  |  |  |  |  |  |  |  |  |

### 6.21.3.8 VALUE

Address offset: 0x508

Output random number

| Bit number              | 31 30 29 28 27 26 25 24 23 22 21 20 19 18 17 16 15 14 13 12 11 10 9 8 7 6 5 4 3 2 1 0 |          |          |                         |  |  |  |  |  |  |  |  |  |  |  |  |  |  |  |  |  |  |  |  |  |  |  |  |                 |  |  |
|-------------------------|---|----------|----------|-------------------------|--|--|--|--|--|--|--|--|--|--|--|--|--|--|--|--|--|--|--|--|--|--|--|--|-----------------|--|--|
| ID                      |   |          |          |                         |  |  |  |  |  |  |  |  |  |  |  |  |  |  |  |  |  |  |  |  |  |  |  |  | A A A A A A A A |  |  |
| <b>Reset 0x00000000</b> | <b>0 0</b>      |          |          |                         |  |  |  |  |  |  |  |  |  |  |  |  |  |  |  |  |  |  |  |  |  |  |  |  |                 |  |  |
| ID                      | Acce Field  | Value ID | Value    | Description             |  |  |  |  |  |  |  |  |  |  |  |  |  |  |  |  |  |  |  |  |  |  |  |  |                 |  |  |
| A                       | R VALUE   |          | [0..255] | Generated random number |  |  |  |  |  |  |  |  |  |  |  |  |  |  |  |  |  |  |  |  |  |  |  |  |                 |  |  |

## 6.21.4 Electrical specification

### 6.21.4.1 RNG Electrical Specification

| Symbol                 | Description  | Min. | Typ. | Max. | Units         |
|------------------------|--|------|------|------|---------------|
| $t_{\text{RNG,START}}$ | Time from setting the START task to generation begins.<br>This is a one-time delay on START signal and does not apply between samples. |      | 128  |      | $\mu\text{s}$ |
| $t_{\text{RNG,RAW}}$   | Run time per byte without bias correction. Uniform distribution of 0 and 1 is not guaranteed.  |      | 30   |      | $\mu\text{s}$ |
| $t_{\text{RNG,BC}}$    | Run time per byte with bias correction. Uniform distribution of 0 and 1 is guaranteed. Time to generate a byte cannot be guaranteed.   |      | 120  |      | $\mu\text{s}$ |

## 6.22 RTC — Real-time counter

The Real-time counter (RTC) module provides a generic, low power timer on the low-frequency clock source (LFCLK).

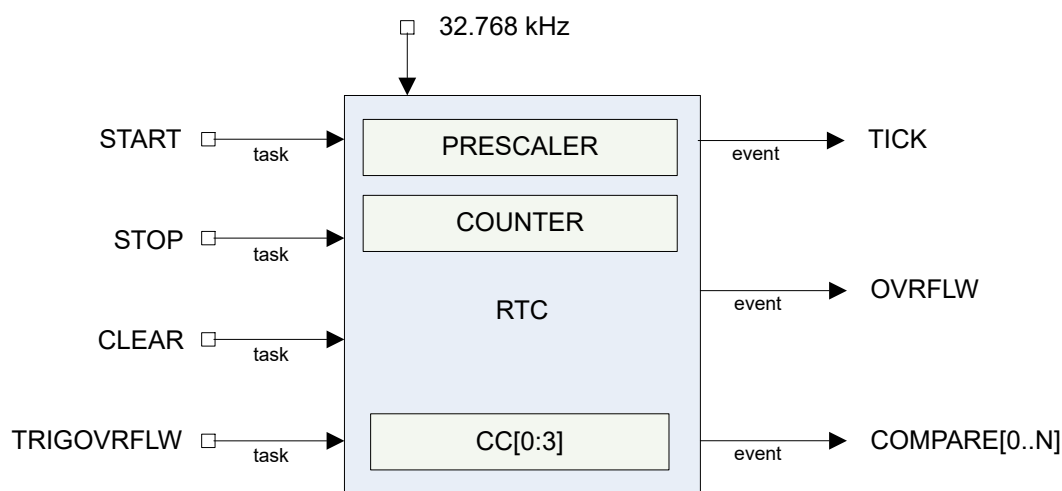


Figure 133: RTC block schematic

The RTC module features a 24-bit COUNTER, a 12-bit (1/X) prescaler, capture/compare registers, and a tick event generator for low power, tickless RTOS implementation.

### 6.22.1 Clock source

The RTC runs off the LFCLK.

The COUNTER resolution is 30.517  $\mu\text{s}$ . Depending on the source, the RTC is able to run while the HFCLK is OFF and PCLK16M is not available.

The software has to explicitly start LFCLK before using the RTC.

See [CLOCK — Clock control](#) on page 85 for more information about clock sources.

### 6.22.2 Resolution versus overflow and the PRESCALER

Counter increment frequency:

$$f_{\text{RTC}} [\text{kHz}] = 32.768 / (\text{PRESCALER} + 1)$$

The PRESCALER register is read/write when the RTC is stopped. The PRESCALER register is read-only once the RTC is STARTed. Writing to the PRESCALER register when the RTC is started has no effect.

The PRESCALER is restarted on START, CLEAR, and TRIGOVFLW, meaning the prescaler value is latched to an internal register (<<PRESC>>) on these tasks.

Examples of different frequency configurations are as following:

- Desired COUNTER frequency 100 Hz (10 ms counter period)

$$\text{PRESCALER} = \text{round}(32.768 \text{ kHz} / 100 \text{ Hz}) - 1 = 327$$

$$f_{\text{RTC}} = 99.9 \text{ Hz}$$

$$10009.576 \mu\text{s counter period}$$

- Desired COUNTER frequency 8 Hz (125 ms counter period)

$$\text{PRESCALER} = \text{round}(32.768 \text{ kHz} / 8 \text{ Hz}) - 1 = 4095$$

$$f_{\text{RTC}} = 8 \text{ Hz}$$

$$125 \text{ ms counter period}$$

| Prescaler  | Counter resolution   | Overflow       |
|------------|----------------------|----------------|
| 0          | 30.517 $\mu\text{s}$ | 512 seconds    |
| $2^8-1$    | 7812.5 $\mu\text{s}$ | 131072 seconds |
| $2^{12}-1$ | 125 ms               | 582.542 hours  |

Table 93: RTC resolution versus overflow

### 6.22.3 COUNTER register

The COUNTER increments on LFCLK when the internal PRESCALER register (<<PRESC>>) is 0x00. <<PRESC>> is reloaded from the PRESCALER register. If enabled, the TICK event occurs on each increment of the COUNTER. The TICK event is disabled by default.

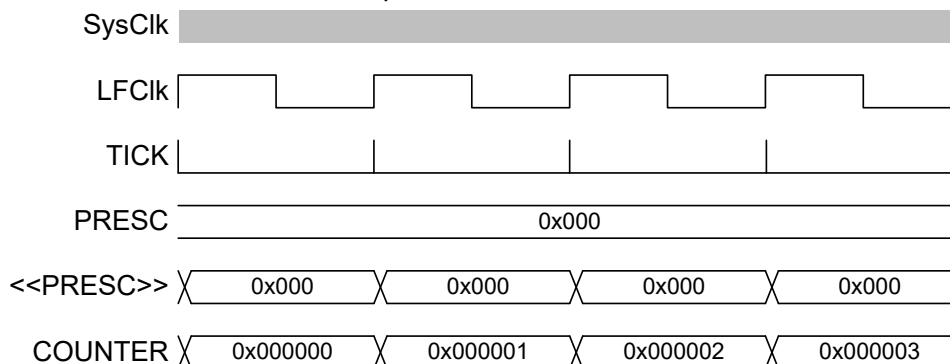


Figure 134: Timing diagram - COUNTER\_PRESCALER\_0

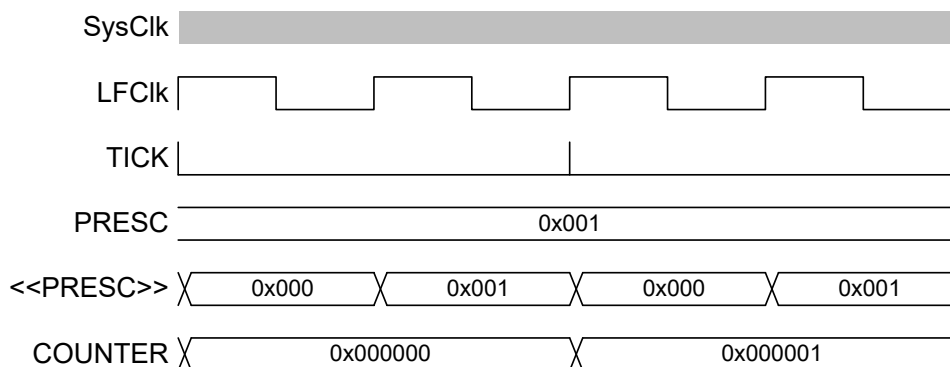


Figure 135: Timing diagram - COUNTER\_PRESCALER\_1

### 6.22.4 Overflow features

The TRIGOVFLW task sets the COUNTER value to 0xFFFFF0 to allow SW test of the overflow condition. OVRFLW occurs when COUNTER overflows from 0xFFFFF to 0.

**Note:** The OVRFLW event is disabled by default.

### 6.22.5 TICK event

The TICK event enables low power tickless RTOS implementation as it optionally provides a regular interrupt source for a RTOS without the need to use the ARM<sup>®</sup> SysTick feature.

Using the RTC TICK event rather than the SysTick allows the CPU to be powered down while still keeping RTOS scheduling active.

**Note:** The TICK event is disabled by default.

### 6.22.6 Event control feature

To optimize RTC power consumption, events in the RTC can be individually disabled to prevent PCLK16M and HFCLK being requested when those events are triggered. This is managed using the EVTEN register.

For example, if the TICK event is not required for an application, this event should be disabled as it is frequently occurring and may increase power consumption if HFCLK otherwise could be powered down for long durations.

This means that the RTC implements a slightly different task and event system compared to the standard system described in [Peripheral interface](#) on page 102. The RTC task and event system is illustrated in [Tasks, events, and interrupts in the RTC](#) on page 370.

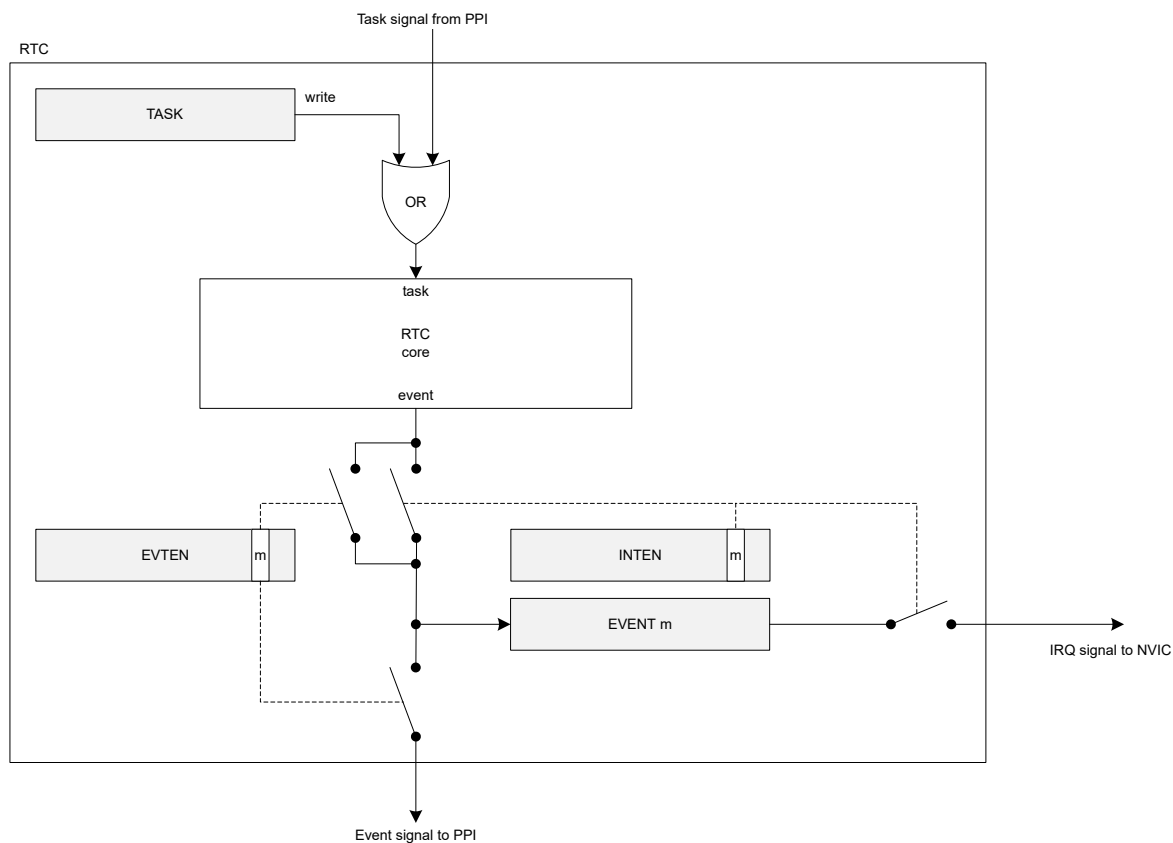


Figure 136: Tasks, events, and interrupts in the RTC

### 6.22.7 Compare feature

There are a number of Compare registers.

For more information, see [Registers](#) on page 375.

When setting a compare register, the following behavior of the RTC compare event should be noted:

- If a CC register value is 0 when a CLEAR task is set, this will not trigger a COMPARE event.

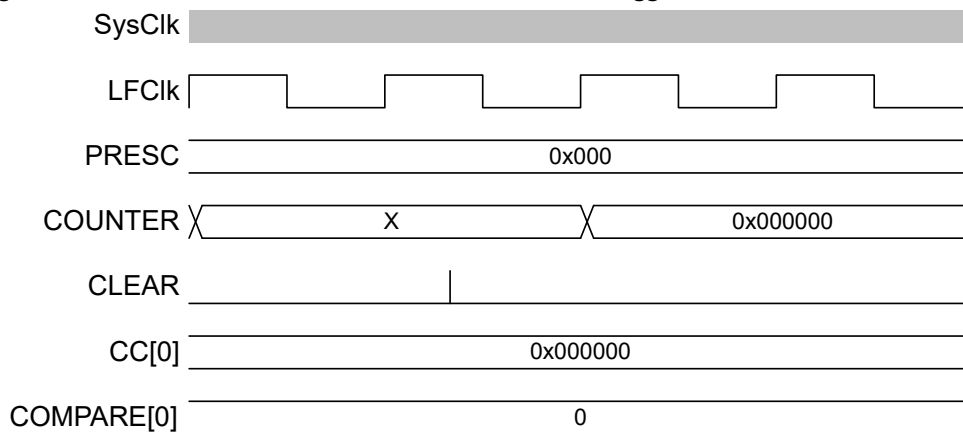


Figure 137: Timing diagram - COMPARE\_CLEAR

- If a CC register is N and the COUNTER value is N when the START task is set, this will not trigger a COMPARE event.

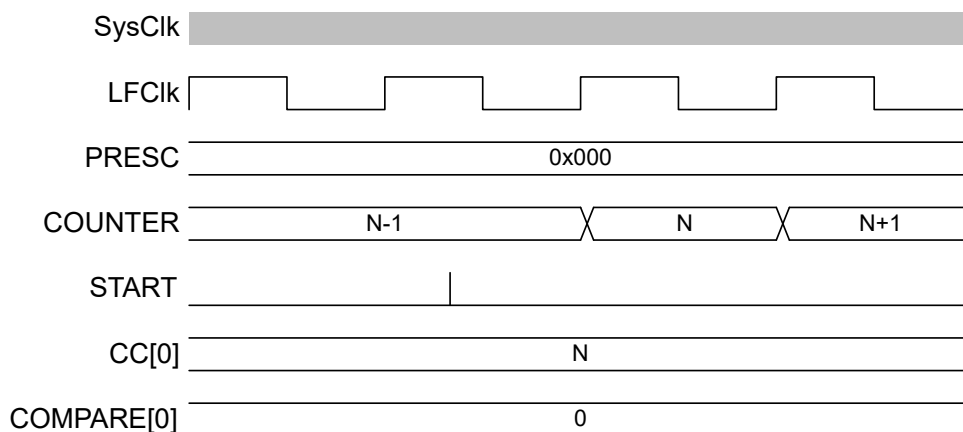


Figure 138: Timing diagram - COMPARE\_START

- COMPARE occurs when a CC register is N and the COUNTER value transitions from N-1 to N.

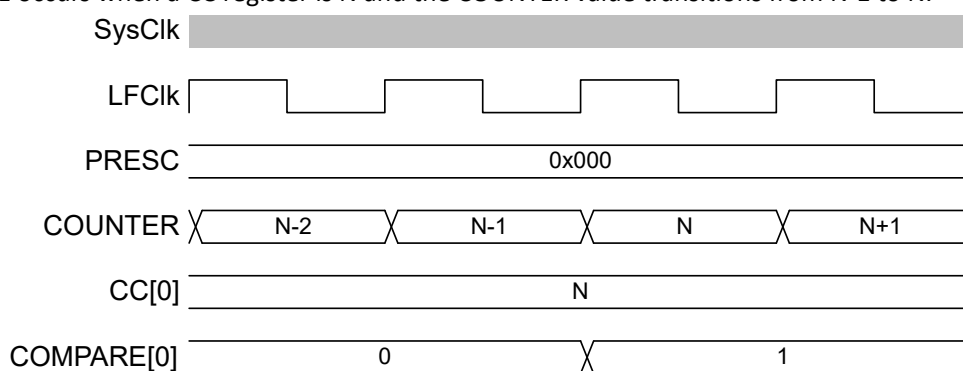


Figure 139: Timing diagram - COMPARE

- If the COUNTER is N, writing N+2 to a CC register is guaranteed to trigger a COMPARE event at N+2.

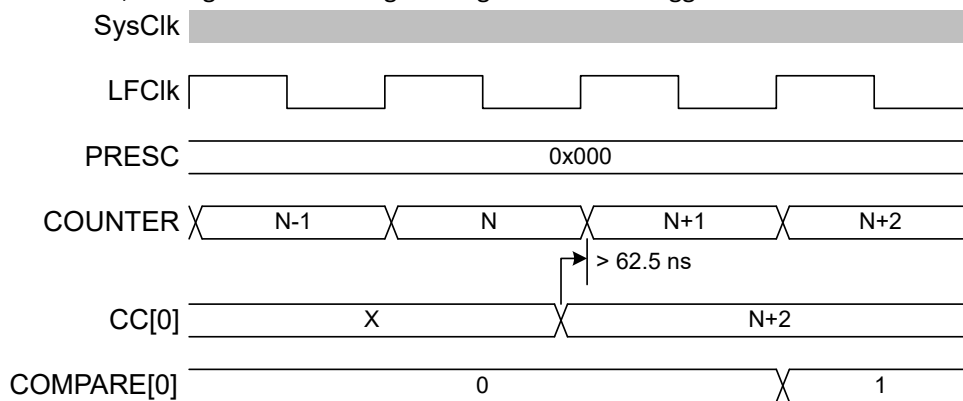


Figure 140: Timing diagram - COMPARE\_N+2

- If the COUNTER is N, writing N or N+1 to a CC register may not trigger a COMPARE event.

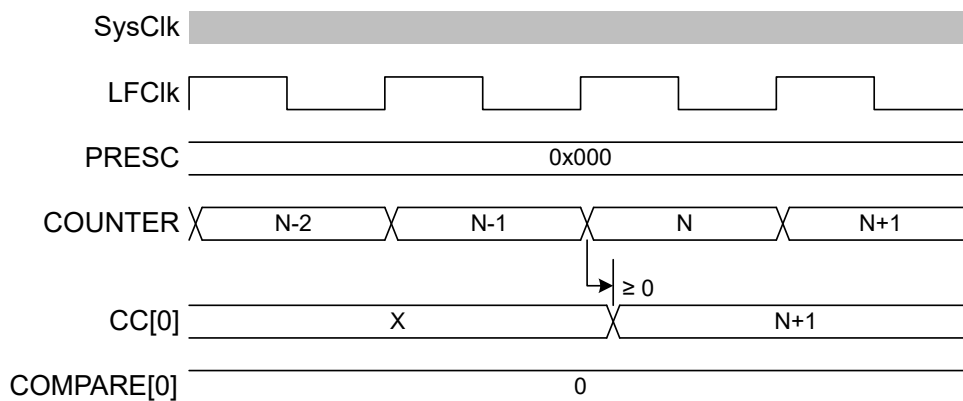


Figure 141: Timing diagram - COMPARE\_N+1

- If the COUNTER is N and the current CC register value is N+1 or N+2 when a new CC value is written, a match may trigger on the previous CC value before the new value takes effect. If the current CC value is greater than N+2 when the new value is written, there will be no event due to the old value.

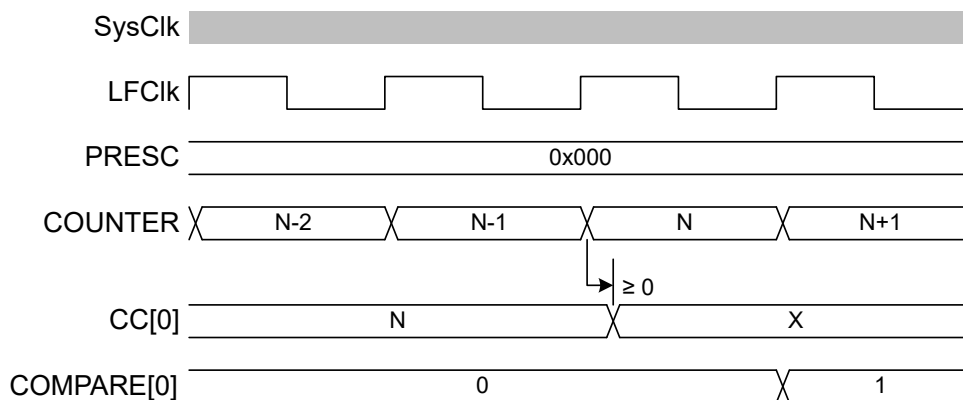


Figure 142: Timing diagram - COMPARE\_N-1

### 6.22.8 TASK and EVENT jitter/delay

Jitter or delay in the RTC is due to the peripheral clock being a low frequency clock (LFCLK) which is not synchronous to the faster PCLK16M.

Registers in the peripheral interface, part of the PCLK16M domain, have a set of mirrored registers in the LFCLK domain. For example, the COUNTER value accessible from the CPU is in the PCLK16M domain and is latched on read from an internal register called COUNTER in the LFCLK domain. COUNTER is the register which is actually modified each time the RTC ticks. These registers must be synchronised between clock domains (PCLK16M and LFCLK).

The following is a summary of the jitter introduced on tasks and events.

| Task                            | Delay             |
|---------------------------------|-------------------|
| CLEAR, STOP, START, TRIGOVRFLOW | +15 to 46 $\mu$ s |

Table 94: RTC jitter magnitudes on tasks



| Operation/Function               | Jitter         |
|----------------------------------|----------------|
| START to COUNTER increment       | +/- 15 $\mu$ s |
| COMPARE to COMPARE <sup>25</sup> | +/- 62.5 ns    |

Table 95: RTC jitter magnitudes on events

**Note:** 32.768 kHz clock jitter is additional to the numbers provided above.

CLEAR and STOP (and TRIGOVFLW; not shown) will be delayed as long as it takes for the peripheral to clock a falling edge and rising of the LFCLK. This is between 15.2585  $\mu$ s and 45.7755  $\mu$ s – rounded to 15  $\mu$ s and 46  $\mu$ s for the remainder of the section.

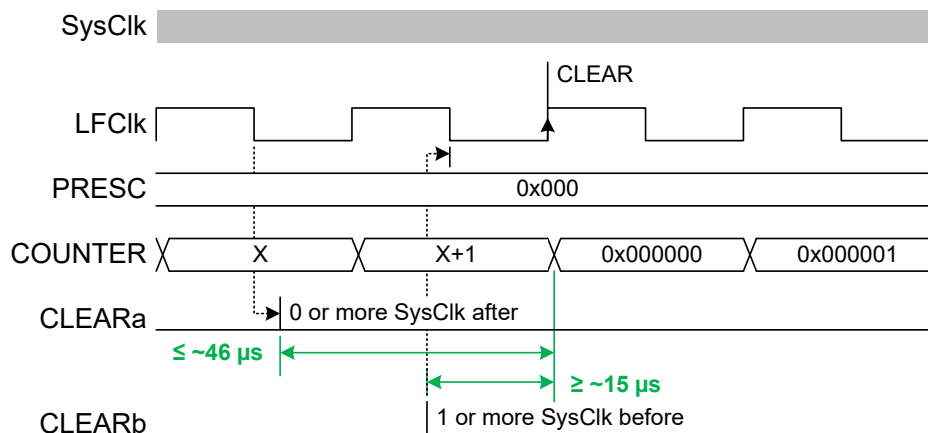


Figure 143: Timing diagram - DELAY\_CLEAR

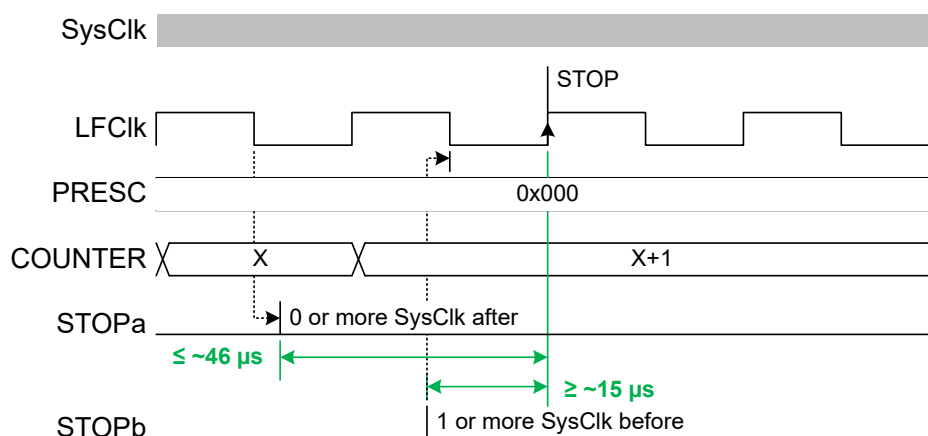


Figure 144: Timing diagram - DELAY\_STOP

The START task will start the RTC. Assuming that the LFCLK was previously running and stable, the first increment of COUNTER (and instance of TICK event) will be typically after 30.5  $\mu$ s +/- 15  $\mu$ s. In some cases, in particular if the RTC is STARTed before the LFCLK is running, that timing can be up to  $\sim 250 \mu$ s. The software should therefore wait for the first TICK if it has to make sure the RTC is running. Sending a TRIGOVFLW task sets the COUNTER to a value close to overflow. However, since the update of COUNTER relies on a stable LFCLK, sending this task while LFCLK is not running will start LFCLK, but the update will then be delayed by the same amount of time of up to  $\sim 250 \mu$ s. The figures show the shortest and longest delays on the START task which appears as a +/- 15  $\mu$ s jitter on the first COUNTER increment.

<sup>25</sup> Assumes RTC runs continuously between these events.

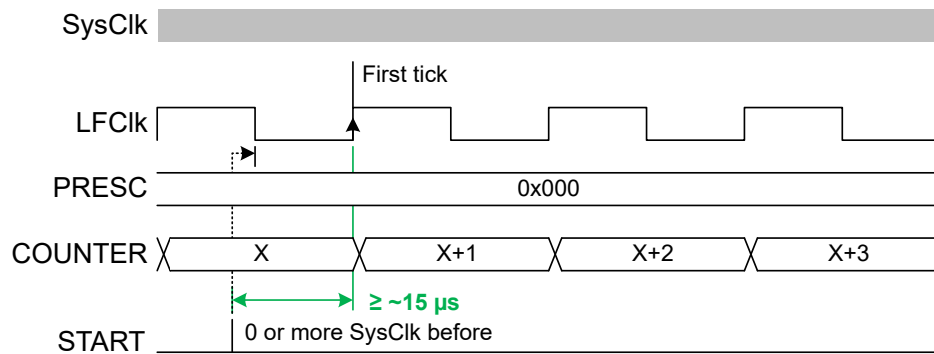


Figure 145: Timing diagram - JITTER\_START-

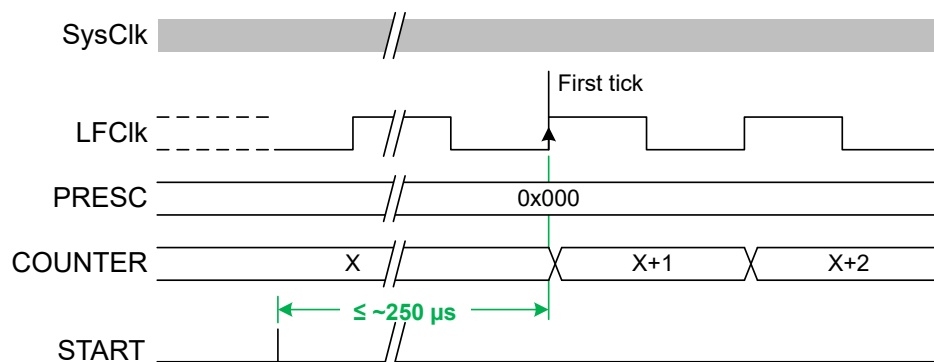


Figure 146: Timing diagram - JITTER\_START+

### 6.22.9 Reading the COUNTER register

To read the COUNTER register, the internal <<COUNTER>> value is sampled.

To ensure that the <<COUNTER>> is safely sampled (considering an LFCLK transition may occur during a read), the CPU and core memory bus are halted for three cycles by lowering the core PREADY signal. The Read takes the CPU 2 cycles in addition resulting in the COUNTER register read taking a fixed five PCLK16M clock cycles.

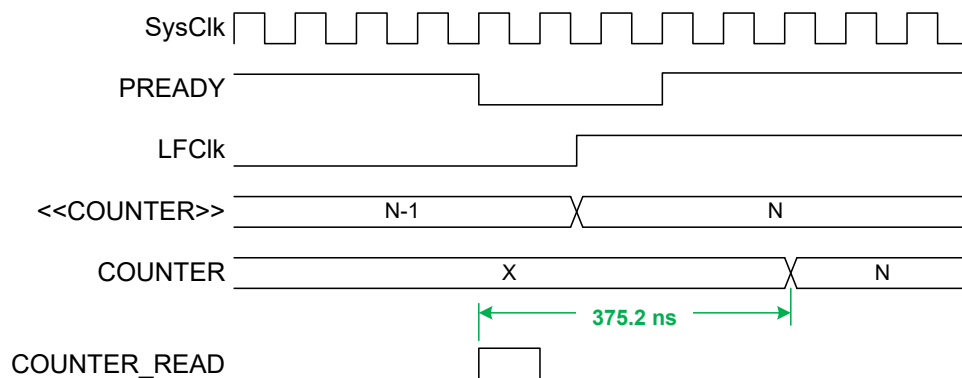


Figure 147: Timing diagram - COUNTER\_READ

## 6.22.10 Registers

| Base address | Peripheral | Instance | Description         | Configuration                               |
|--------------|------------|----------|---------------------|---|
| 0x4000B000   | RTC        | RTC0     | Real-time counter 0 | CC[0..2] implemented, CC[3] not implemented |
| 0x40011000   | RTC        | RTC1     | Real-time counter 1 | CC[0..3] implemented                        |
| 0x40024000   | RTC        | RTC2     | Real-time counter 2 | CC[0..3] implemented                        |

Table 96: Instances

| Register          | Offset | Description  |
|-------------------|--------|--|
| TASKS_START       | 0x000  | Start RTC COUNTER  |
| TASKS_STOP        | 0x004  | Stop RTC COUNTER   |
| TASKS_CLEAR       | 0x008  | Clear RTC COUNTER  |
| TASKS_TRIGOVFLW   | 0x00C  | Set COUNTER to 0xFFFFF0  |
| EVENTS_TICK       | 0x100  | Event on COUNTER increment   |
| EVENTS_OVRFLW     | 0x104  | Event on COUNTER overflow  |
| EVENTS_COMPARE[0] | 0x140  | Compare event on CC[0] match   |
| EVENTS_COMPARE[1] | 0x144  | Compare event on CC[1] match   |
| EVENTS_COMPARE[2] | 0x148  | Compare event on CC[2] match   |
| EVENTS_COMPARE[3] | 0x14C  | Compare event on CC[3] match   |
| INTENSET          | 0x304  | Enable interrupt   |
| INTENCLR          | 0x308  | Disable interrupt  |
| EVTEN             | 0x340  | Enable or disable event routing  |
| EVTENSET          | 0x344  | Enable event routing   |
| EVTENCLR          | 0x348  | Disable event routing  |
| COUNTER           | 0x504  | Current COUNTER value  |
| PRESCALER         | 0x508  | 12 bit prescaler for COUNTER frequency (32768/(PRESCALER+1)). Must be written when RTC is stopped. |
| CC[0]             | 0x540  | Compare register 0   |
| CC[1]             | 0x544  | Compare register 1   |
| CC[2]             | 0x548  | Compare register 2   |
| CC[3]             | 0x54C  | Compare register 3   |

Table 97: Register overview

### 6.22.10.1 TASKS\_START

Address offset: 0x000

Start RTC COUNTER

| Bit number       | 31 30 29 28 27 26 25 24 23 22 21 20 19 18 17 16 15 14 13 12 11 10 9 8 7 6 5 4 3 2 1 0 |             |          |       |                                   |  |  |  |  |  |  |  |  |  |  |  |  |  |  |  |  |  |  |  |  |  |  |  |  |  |  |
|------------------|---|-------------|----------|-------|-----------------------------------|--|--|--|--|--|--|--|--|--|--|--|--|--|--|--|--|--|--|--|--|--|--|--|--|--|--|
| ID               | A   |             |          |       |                                   |  |  |  |  |  |  |  |  |  |  |  |  |  |  |  |  |  |  |  |  |  |  |  |  |  |  |
| Reset 0x00000000 | 0                     |             |          |       |                                   |  |  |  |  |  |  |  |  |  |  |  |  |  |  |  |  |  |  |  |  |  |  |  |  |  |  |
| ID               | Acce  | Field       | Value ID | Value | Description                       |  |  |  |  |  |  |  |  |  |  |  |  |  |  |  |  |  |  |  |  |  |  |  |  |  |  |
| A                | W   | TASKS_START | Trigger  | 1     | Start RTC COUNTER<br>Trigger task |  |  |  |  |  |  |  |  |  |  |  |  |  |  |  |  |  |  |  |  |  |  |  |  |  |  |

### 6.22.10.2 TASKS\_STOP

Address offset: 0x004

Stop RTC COUNTER

| Bit number | 31         | 30         | 29       | 28    | 27                               | 26 | 25 | 24 | 23 | 22 | 21 | 20 | 19 | 18 | 17 | 16 | 15 | 14 | 13 | 12 | 11 | 10 | 9 | 8 | 7 | 6 | 5 | 4 | 3 | 2 | 1 | 0 |   |
|------------|------------|------------|----------|-------|----------------------------------|----|----|----|----|----|----|----|----|----|----|----|----|----|----|----|----|----|---|---|---|---|---|---|---|---|---|---|---|
| ID         |            |            |          |       |                                  |    |    |    |    |    |    |    |    |    |    |    |    |    |    |    |    |    |   |   |   |   |   |   |   |   |   | A |   |
| Reset      | 0x00000000 |            |          |       |                                  |    |    |    |    |    |    |    |    |    |    |    |    |    |    |    |    |    |   |   |   |   |   |   |   |   |   |   |   |
| 0          | 0          | 0          | 0        | 0     | 0                                | 0  | 0  | 0  | 0  | 0  | 0  | 0  | 0  | 0  | 0  | 0  | 0  | 0  | 0  | 0  | 0  | 0  | 0 | 0 | 0 | 0 | 0 | 0 | 0 | 0 | 0 | 0 | 0 |
| ID         | Acce       | Field      | Value ID | Value | Description                      |    |    |    |    |    |    |    |    |    |    |    |    |    |    |    |    |    |   |   |   |   |   |   |   |   |   |   |   |
| A          | W          | TASKS_STOP | Trigger  | 1     | Stop RTC COUNTER<br>Trigger task |    |    |    |    |    |    |    |    |    |    |    |    |    |    |    |    |    |   |   |   |   |   |   |   |   |   |   |   |

### 6.22.10.3 TASKS\_CLEAR

Address offset: 0x008

Clear RTC COUNTER

| Bit number | 31         | 30          | 29       | 28    | 27                                | 26 | 25 | 24 | 23 | 22 | 21 | 20 | 19 | 18 | 17 | 16 | 15 | 14 | 13 | 12 | 11 | 10 | 9 | 8 | 7 | 6 | 5 | 4 | 3 | 2 | 1 | 0 |
|------------|------------|-------------|----------|-------|-----------------------------------|----|----|----|----|----|----|----|----|----|----|----|----|----|----|----|----|----|---|---|---|---|---|---|---|---|---|---|
| ID         |            |             |          |       |                                   |    |    |    |    |    |    |    |    |    |    |    |    |    |    |    |    |    |   |   |   |   |   |   |   |   |   | A |
| Reset      | 0x00000000 |             |          |       |                                   |    |    |    |    |    |    |    |    |    |    |    |    |    |    |    |    |    |   |   |   |   |   |   |   |   |   |   |
| 0          | 0          | 0           | 0        | 0     | 0                                 | 0  | 0  | 0  | 0  | 0  | 0  | 0  | 0  | 0  | 0  | 0  | 0  | 0  | 0  | 0  | 0  | 0  | 0 | 0 | 0 | 0 | 0 | 0 | 0 | 0 | 0 | 0 |
| ID         | Acce       | Field       | Value ID | Value | Description                       |    |    |    |    |    |    |    |    |    |    |    |    |    |    |    |    |    |   |   |   |   |   |   |   |   |   |   |
| A          | W          | TASKS_CLEAR | Trigger  | 1     | Clear RTC COUNTER<br>Trigger task |    |    |    |    |    |    |    |    |    |    |    |    |    |    |    |    |    |   |   |   |   |   |   |   |   |   |   |

### 6.22.10.4 TASKS\_TRIGOVFLW

Address offset: 0x00C

Set COUNTER to 0xFFFFF0

| Bit number | 31         | 30              | 29       | 28    | 27                                      | 26 | 25 | 24 | 23 | 22 | 21 | 20 | 19 | 18 | 17 | 16 | 15 | 14 | 13 | 12 | 11 | 10 | 9 | 8 | 7 | 6 | 5 | 4 | 3 | 2 | 1 | 0 |
|------------|------------|-----------------|----------|-------|---|----|----|----|----|----|----|----|----|----|----|----|----|----|----|----|----|----|---|---|---|---|---|---|---|---|---|---|
| ID         |            |                 |          |       |   |    |    |    |    |    |    |    |    |    |    |    |    |    |    |    |    |    |   |   |   |   |   |   |   |   |   | A |
| Reset      | 0x00000000 |                 |          |       |   |    |    |    |    |    |    |    |    |    |    |    |    |    |    |    |    |    |   |   |   |   |   |   |   |   |   |   |
| 0          | 0          | 0               | 0        | 0     | 0                                       | 0  | 0  | 0  | 0  | 0  | 0  | 0  | 0  | 0  | 0  | 0  | 0  | 0  | 0  | 0  | 0  | 0  | 0 | 0 | 0 | 0 | 0 | 0 | 0 | 0 | 0 | 0 |
| ID         | Acce       | Field           | Value ID | Value | Description                             |    |    |    |    |    |    |    |    |    |    |    |    |    |    |    |    |    |   |   |   |   |   |   |   |   |   |   |
| A          | W          | TASKS_TRIGOVFLW | Trigger  | 1     | Set COUNTER to 0xFFFFF0<br>Trigger task |    |    |    |    |    |    |    |    |    |    |    |    |    |    |    |    |    |   |   |   |   |   |   |   |   |   |   |

### 6.22.10.5 EVENTS\_TICK

Address offset: 0x100

Event on COUNTER increment

| Bit number | 31         | 30          | 29           | 28    | 27  | 26 | 25 | 24 | 23 | 22 | 21 | 20 | 19 | 18 | 17 | 16 | 15 | 14 | 13 | 12 | 11 | 10 | 9 | 8 | 7 | 6 | 5 | 4 | 3 | 2 | 1 | 0 |
|------------|------------|-------------|--------------|-------|---|----|----|----|----|----|----|----|----|----|----|----|----|----|----|----|----|----|---|---|---|---|---|---|---|---|---|---|
| ID         |            |             |              |       |   |    |    |    |    |    |    |    |    |    |    |    |    |    |    |    |    |    |   |   |   |   |   |   |   |   |   | A |
| Reset      | 0x00000000 |             |              |       |   |    |    |    |    |    |    |    |    |    |    |    |    |    |    |    |    |    |   |   |   |   |   |   |   |   |   |   |
| 0          | 0          | 0           | 0            | 0     | 0   | 0  | 0  | 0  | 0  | 0  | 0  | 0  | 0  | 0  | 0  | 0  | 0  | 0  | 0  | 0  | 0  | 0  | 0 | 0 | 0 | 0 | 0 | 0 | 0 | 0 | 0 | 0 |
| ID         | Acce       | Field       | Value ID     | Value | Description                                       |    |    |    |    |    |    |    |    |    |    |    |    |    |    |    |    |    |   |   |   |   |   |   |   |   |   |   |
| A          | RW         | EVENTS_TICK | NotGenerated | 0     | Event on COUNTER increment<br>Event not generated |    |    |    |    |    |    |    |    |    |    |    |    |    |    |    |    |    |   |   |   |   |   |   |   |   |   |   |
|            |            |             | Generated    | 1     | Event generated                                   |    |    |    |    |    |    |    |    |    |    |    |    |    |    |    |    |    |   |   |   |   |   |   |   |   |   |   |

### 6.22.10.6 EVENTS\_OVRFLW

Address offset: 0x104

Event on COUNTER overflow

| Bit number | 31  | 30            | 29           | 28                        | 27                  | 26 | 25 | 24 | 23 | 22 | 21 | 20 | 19 | 18 | 17 | 16 | 15 | 14 | 13 | 12 | 11 | 10 | 9 | 8 | 7 | 6 | 5 | 4 | 3 | 2 | 1 | 0 |
|------------|---|---------------|--------------|---------------------------|---------------------|----|----|----|----|----|----|----|----|----|----|----|----|----|----|----|----|----|---|---|---|---|---|---|---|---|---|---|
| ID         |   |               |              |                           |                     |    |    |    |    |    |    |    |    |    |    |    |    |    |    |    |    |    |   |   |   |   |   |   |   |   |   | A |
| Reset      | 0x00000000  |               |              |                           |                     |    |    |    |    |    |    |    |    |    |    |    |    |    |    |    |    |    |   |   |   |   |   |   |   |   |   |   |
| Reset      | 0 |               |              |                           |                     |    |    |    |    |    |    |    |    |    |    |    |    |    |    |    |    |    |   |   |   |   |   |   |   |   |   |   |
| ID         | Acce Field  | Value ID      | Value        | Description               |                     |    |    |    |    |    |    |    |    |    |    |    |    |    |    |    |    |    |   |   |   |   |   |   |   |   |   |   |
| A          | RW  | EVENTS_OVRFLW |              | Event on COUNTER overflow |                     |    |    |    |    |    |    |    |    |    |    |    |    |    |    |    |    |    |   |   |   |   |   |   |   |   |   |   |
|            |   |               | NotGenerated | 0                         | Event not generated |    |    |    |    |    |    |    |    |    |    |    |    |    |    |    |    |    |   |   |   |   |   |   |   |   |   |   |
|            |   |               | Generated    | 1                         | Event generated     |    |    |    |    |    |    |    |    |    |    |    |    |    |    |    |    |    |   |   |   |   |   |   |   |   |   |   |

### 6.22.10.7 EVENTS\_COMPARE[n] (n=0..3)

Address offset: 0x140 + (n × 0x4)

Compare event on CC[n] match

| Bit number | 31  | 30             | 29           | 28                           | 27                  | 26 | 25 | 24 | 23 | 22 | 21 | 20 | 19 | 18 | 17 | 16 | 15 | 14 | 13 | 12 | 11 | 10 | 9 | 8 | 7 | 6 | 5 | 4 | 3 | 2 | 1 | 0 |
|------------|---|----------------|--------------|------------------------------|---------------------|----|----|----|----|----|----|----|----|----|----|----|----|----|----|----|----|----|---|---|---|---|---|---|---|---|---|---|
| ID         |   |                |              |                              |                     |    |    |    |    |    |    |    |    |    |    |    |    |    |    |    |    |    |   |   |   |   |   |   |   |   |   | A |
| Reset      | 0x00000000  |                |              |                              |                     |    |    |    |    |    |    |    |    |    |    |    |    |    |    |    |    |    |   |   |   |   |   |   |   |   |   |   |
| Reset      | 0 |                |              |                              |                     |    |    |    |    |    |    |    |    |    |    |    |    |    |    |    |    |    |   |   |   |   |   |   |   |   |   |   |
| ID         | Acce Field  | Value ID       | Value        | Description                  |                     |    |    |    |    |    |    |    |    |    |    |    |    |    |    |    |    |    |   |   |   |   |   |   |   |   |   |   |
| A          | RW  | EVENTS_COMPARE |              | Compare event on CC[n] match |                     |    |    |    |    |    |    |    |    |    |    |    |    |    |    |    |    |    |   |   |   |   |   |   |   |   |   |   |
|            |   |                | NotGenerated | 0                            | Event not generated |    |    |    |    |    |    |    |    |    |    |    |    |    |    |    |    |    |   |   |   |   |   |   |   |   |   |   |
|            |   |                | Generated    | 1                            | Event generated     |    |    |    |    |    |    |    |    |    |    |    |    |    |    |    |    |    |   |   |   |   |   |   |   |   |   |   |

### 6.22.10.8 INTENSET

Address offset: 0x304

Enable interrupt

| Bit number | 31  | 30                  | 29       | 28   | 27             | 26 | 25 | 24 | 23 | 22 | 21 | 20 | 19 | 18 | 17 | 16 | 15 | 14 | 13 | 12 | 11 | 10 | 9 | 8 | 7 | 6 | 5 | 4 | 3 | 2 | 1 | 0 |
|------------|---|---------------------|----------|--|----------------|----|----|----|----|----|----|----|----|----|----|----|----|----|----|----|----|----|---|---|---|---|---|---|---|---|---|---|
| ID         |   |                     |          |  |                |    |    |    |    |    | F  | E  | D  | C  |    |    |    |    |    |    |    |    |   |   | B | A |   |   |   |   |   |   |
| Reset      | 0x00000000  |                     |          |  |                |    |    |    |    |    |    |    |    |    |    |    |    |    |    |    |    |    |   |   |   |   |   |   |   |   |   |   |
| Reset      | 0 |                     |          |  |                |    |    |    |    |    |    |    |    |    |    |    |    |    |    |    |    |    |   |   |   |   |   |   |   |   |   |   |
| ID         | Acce Field  | Value ID            | Value    | Description  |                |    |    |    |    |    |    |    |    |    |    |    |    |    |    |    |    |    |   |   |   |   |   |   |   |   |   |   |
| A          | RW  | TICK                |          | Write '1' to enable interrupt for event TICK       |                |    |    |    |    |    |    |    |    |    |    |    |    |    |    |    |    |    |   |   |   |   |   |   |   |   |   |   |
|            |   |                     | Set      | 1  | Enable         |    |    |    |    |    |    |    |    |    |    |    |    |    |    |    |    |    |   |   |   |   |   |   |   |   |   |   |
|            |   |                     | Disabled | 0  | Read: Disabled |    |    |    |    |    |    |    |    |    |    |    |    |    |    |    |    |    |   |   |   |   |   |   |   |   |   |   |
|            |   |                     | Enabled  | 1  | Read: Enabled  |    |    |    |    |    |    |    |    |    |    |    |    |    |    |    |    |    |   |   |   |   |   |   |   |   |   |   |
| B          | RW  | OVRFLW              |          | Write '1' to enable interrupt for event OVRFLW     |                |    |    |    |    |    |    |    |    |    |    |    |    |    |    |    |    |    |   |   |   |   |   |   |   |   |   |   |
|            |   |                     | Set      | 1  | Enable         |    |    |    |    |    |    |    |    |    |    |    |    |    |    |    |    |    |   |   |   |   |   |   |   |   |   |   |
|            |   |                     | Disabled | 0  | Read: Disabled |    |    |    |    |    |    |    |    |    |    |    |    |    |    |    |    |    |   |   |   |   |   |   |   |   |   |   |
|            |   |                     | Enabled  | 1  | Read: Enabled  |    |    |    |    |    |    |    |    |    |    |    |    |    |    |    |    |    |   |   |   |   |   |   |   |   |   |   |
| C-F        | RW  | COMPARE[i] (i=0..3) |          | Write '1' to enable interrupt for event COMPARE[i] |                |    |    |    |    |    |    |    |    |    |    |    |    |    |    |    |    |    |   |   |   |   |   |   |   |   |   |   |
|            |   |                     | Set      | 1  | Enable         |    |    |    |    |    |    |    |    |    |    |    |    |    |    |    |    |    |   |   |   |   |   |   |   |   |   |   |
|            |   |                     | Disabled | 0  | Read: Disabled |    |    |    |    |    |    |    |    |    |    |    |    |    |    |    |    |    |   |   |   |   |   |   |   |   |   |   |
|            |   |                     | Enabled  | 1  | Read: Enabled  |    |    |    |    |    |    |    |    |    |    |    |    |    |    |    |    |    |   |   |   |   |   |   |   |   |   |   |

### 6.22.10.9 INTENCLR

Address offset: 0x308

Disable interrupt

| Bit number       |                        | 31 30 29 28 27 26 25 24 23 22 21 20 19 18 17 16 15 14 13 12 11 10 9 8 7 6 5 4 3 2 1 0 |       |  |  |  |  |  |  |  |  |  |  |  |  |  |  |  |  |  |  |  |  |  |  |  |  |  |  |     |  |  |
|------------------|------------------------|---|-------|--|--|--|--|--|--|--|--|--|--|--|--|--|--|--|--|--|--|--|--|--|--|--|--|--|--|-----|--|--|
| ID               |                        | F E D C   |       |  |  |  |  |  |  |  |  |  |  |  |  |  |  |  |  |  |  |  |  |  |  |  |  |  |  | B A |  |  |
| Reset 0x00000000 |                        | 0               |       |  |  |  |  |  |  |  |  |  |  |  |  |  |  |  |  |  |  |  |  |  |  |  |  |  |  |     |  |  |
| ID               | Acce Field             | Value ID  | Value | Description  |  |  |  |  |  |  |  |  |  |  |  |  |  |  |  |  |  |  |  |  |  |  |  |  |  |     |  |  |
| A                | RW TICK                |   |       | Write '1' to disable interrupt for event <b>TICK</b>       |  |  |  |  |  |  |  |  |  |  |  |  |  |  |  |  |  |  |  |  |  |  |  |  |  |     |  |  |
|                  |                        | Clear   | 1     | Disable  |  |  |  |  |  |  |  |  |  |  |  |  |  |  |  |  |  |  |  |  |  |  |  |  |  |     |  |  |
|                  |                        | Disabled  | 0     | Read: Disabled   |  |  |  |  |  |  |  |  |  |  |  |  |  |  |  |  |  |  |  |  |  |  |  |  |  |     |  |  |
|                  |                        | Enabled   | 1     | Read: Enabled  |  |  |  |  |  |  |  |  |  |  |  |  |  |  |  |  |  |  |  |  |  |  |  |  |  |     |  |  |
| B                | RW OVRFLW              |   |       | Write '1' to disable interrupt for event <b>OVRFLW</b>     |  |  |  |  |  |  |  |  |  |  |  |  |  |  |  |  |  |  |  |  |  |  |  |  |  |     |  |  |
|                  |                        | Clear   | 1     | Disable  |  |  |  |  |  |  |  |  |  |  |  |  |  |  |  |  |  |  |  |  |  |  |  |  |  |     |  |  |
|                  |                        | Disabled  | 0     | Read: Disabled   |  |  |  |  |  |  |  |  |  |  |  |  |  |  |  |  |  |  |  |  |  |  |  |  |  |     |  |  |
|                  |                        | Enabled   | 1     | Read: Enabled  |  |  |  |  |  |  |  |  |  |  |  |  |  |  |  |  |  |  |  |  |  |  |  |  |  |     |  |  |
| C-F              | RW COMPARE[i] (i=0..3) |   |       | Write '1' to disable interrupt for event <b>COMPARE[i]</b> |  |  |  |  |  |  |  |  |  |  |  |  |  |  |  |  |  |  |  |  |  |  |  |  |  |     |  |  |
|                  |                        | Clear   | 1     | Disable  |  |  |  |  |  |  |  |  |  |  |  |  |  |  |  |  |  |  |  |  |  |  |  |  |  |     |  |  |
|                  |                        | Disabled  | 0     | Read: Disabled   |  |  |  |  |  |  |  |  |  |  |  |  |  |  |  |  |  |  |  |  |  |  |  |  |  |     |  |  |
|                  |                        | Enabled   | 1     | Read: Enabled  |  |  |  |  |  |  |  |  |  |  |  |  |  |  |  |  |  |  |  |  |  |  |  |  |  |     |  |  |

### 6.22.10.10 EVTEN

Address offset: 0x340

Enable or disable event routing

| Bit number       |                        | 31 30 29 28 27 26 25 24 23 22 21 20 19 18 17 16 15 14 13 12 11 10 9 8 7 6 5 4 3 2 1 0 |       |   |  |  |  |  |  |  |  |  |  |  |  |  |  |  |  |  |  |  |  |  |  |  |  |  |  |     |  |  |
|------------------|------------------------|---|-------|---|--|--|--|--|--|--|--|--|--|--|--|--|--|--|--|--|--|--|--|--|--|--|--|--|--|-----|--|--|
| ID               |                        | F E D C   |       |   |  |  |  |  |  |  |  |  |  |  |  |  |  |  |  |  |  |  |  |  |  |  |  |  |  | B A |  |  |
| Reset 0x00000000 |                        | 0               |       |   |  |  |  |  |  |  |  |  |  |  |  |  |  |  |  |  |  |  |  |  |  |  |  |  |  |     |  |  |
| ID               | Acce Field             | Value ID  | Value | Description   |  |  |  |  |  |  |  |  |  |  |  |  |  |  |  |  |  |  |  |  |  |  |  |  |  |     |  |  |
| A                | RW TICK                |   |       | Enable or disable event routing for event <b>TICK</b>       |  |  |  |  |  |  |  |  |  |  |  |  |  |  |  |  |  |  |  |  |  |  |  |  |  |     |  |  |
|                  |                        | Disabled  | 0     | Disable   |  |  |  |  |  |  |  |  |  |  |  |  |  |  |  |  |  |  |  |  |  |  |  |  |  |     |  |  |
|                  |                        | Enabled   | 1     | Disable   |  |  |  |  |  |  |  |  |  |  |  |  |  |  |  |  |  |  |  |  |  |  |  |  |  |     |  |  |
| B                | RW OVRFLW              |   |       | Enable or disable event routing for event <b>OVRFLW</b>     |  |  |  |  |  |  |  |  |  |  |  |  |  |  |  |  |  |  |  |  |  |  |  |  |  |     |  |  |
|                  |                        | Disabled  | 0     | Disable   |  |  |  |  |  |  |  |  |  |  |  |  |  |  |  |  |  |  |  |  |  |  |  |  |  |     |  |  |
|                  |                        | Enabled   | 1     | Disable   |  |  |  |  |  |  |  |  |  |  |  |  |  |  |  |  |  |  |  |  |  |  |  |  |  |     |  |  |
| C-F              | RW COMPARE[i] (i=0..3) |   |       | Enable or disable event routing for event <b>COMPARE[i]</b> |  |  |  |  |  |  |  |  |  |  |  |  |  |  |  |  |  |  |  |  |  |  |  |  |  |     |  |  |
|                  |                        | Disabled  | 0     | Disable   |  |  |  |  |  |  |  |  |  |  |  |  |  |  |  |  |  |  |  |  |  |  |  |  |  |     |  |  |
|                  |                        | Enabled   | 1     | Disable   |  |  |  |  |  |  |  |  |  |  |  |  |  |  |  |  |  |  |  |  |  |  |  |  |  |     |  |  |

### 6.22.10.11 EVTENSET

Address offset: 0x344

Enable event routing

| Bit number       |            | 31 30 29 28 27 26 25 24 23 22 21 20 19 18 17 16 15 14 13 12 11 10 9 8 7 6 5 4 3 2 1 0 |       |   |  |  |  |  |  |  |  |  |  |  |  |  |  |  |  |  |  |  |  |  |  |  |  |  |  |     |  |  |
|------------------|------------|---|-------|---|--|--|--|--|--|--|--|--|--|--|--|--|--|--|--|--|--|--|--|--|--|--|--|--|--|-----|--|--|
| ID               |            | F E D C   |       |   |  |  |  |  |  |  |  |  |  |  |  |  |  |  |  |  |  |  |  |  |  |  |  |  |  | B A |  |  |
| Reset 0x00000000 |            | 0               |       |   |  |  |  |  |  |  |  |  |  |  |  |  |  |  |  |  |  |  |  |  |  |  |  |  |  |     |  |  |
| ID               | Acce Field | Value ID  | Value | Description   |  |  |  |  |  |  |  |  |  |  |  |  |  |  |  |  |  |  |  |  |  |  |  |  |  |     |  |  |
| A                | RW TICK    |   |       | Write '1' to enable event routing for event <b>TICK</b>   |  |  |  |  |  |  |  |  |  |  |  |  |  |  |  |  |  |  |  |  |  |  |  |  |  |     |  |  |
|                  |            | Disabled  | 0     | Read: Disabled  |  |  |  |  |  |  |  |  |  |  |  |  |  |  |  |  |  |  |  |  |  |  |  |  |  |     |  |  |
|                  |            | Enabled   | 1     | Read: Enabled   |  |  |  |  |  |  |  |  |  |  |  |  |  |  |  |  |  |  |  |  |  |  |  |  |  |     |  |  |
|                  |            | Set   | 1     | Enable  |  |  |  |  |  |  |  |  |  |  |  |  |  |  |  |  |  |  |  |  |  |  |  |  |  |     |  |  |
| B                | RW OVRFLW  |   |       | Write '1' to enable event routing for event <b>OVRFLW</b> |  |  |  |  |  |  |  |  |  |  |  |  |  |  |  |  |  |  |  |  |  |  |  |  |  |     |  |  |
|                  |            | Disabled  | 0     | Read: Disabled  |  |  |  |  |  |  |  |  |  |  |  |  |  |  |  |  |  |  |  |  |  |  |  |  |  |     |  |  |
|                  |            | Enabled   | 1     | Read: Enabled   |  |  |  |  |  |  |  |  |  |  |  |  |  |  |  |  |  |  |  |  |  |  |  |  |  |     |  |  |
|                  |            | Set   | 1     | Enable  |  |  |  |  |  |  |  |  |  |  |  |  |  |  |  |  |  |  |  |  |  |  |  |  |  |     |  |  |

| Bit number | 31 30 29 28 27 26 25 24 23 22 21 20 19 18 17 16 15 14 13 12 11 10 9 8 7 6 5 4 3 2 1 0 |          |       |  |  |  |  |  |  |  |  |  |  |  |  |  |  |  |  |  |  |  |  |   |   |   |   |  |  |  |  |  |  |  |  |  |  |   |   |
|------------|---|----------|-------|--|--|--|--|--|--|--|--|--|--|--|--|--|--|--|--|--|--|--|--|---|---|---|---|--|--|--|--|--|--|--|--|--|--|---|---|
| ID         |   |          |       |  |  |  |  |  |  |  |  |  |  |  |  |  |  |  |  |  |  |  |  | F | E | D | C |  |  |  |  |  |  |  |  |  |  | B | A |
| Reset      | 0x00000000  |          |       |  |  |  |  |  |  |  |  |  |  |  |  |  |  |  |  |  |  |  |  |   |   |   |   |  |  |  |  |  |  |  |  |  |  |   |   |
| 0          | 0             |          |       |  |  |  |  |  |  |  |  |  |  |  |  |  |  |  |  |  |  |  |  |   |   |   |   |  |  |  |  |  |  |  |  |  |  |   |   |
| ID         | Acce Field  | Value ID | Value | Description  |  |  |  |  |  |  |  |  |  |  |  |  |  |  |  |  |  |  |  |   |   |   |   |  |  |  |  |  |  |  |  |  |  |   |   |
| C-F        | RW COMPARE[i] (i=0..3)  |          |       | Write '1' to enable event routing for event COMPARE[i] |  |  |  |  |  |  |  |  |  |  |  |  |  |  |  |  |  |  |  |   |   |   |   |  |  |  |  |  |  |  |  |  |  |   |   |
|            |   | Disabled | 0     | Read: Disabled   |  |  |  |  |  |  |  |  |  |  |  |  |  |  |  |  |  |  |  |   |   |   |   |  |  |  |  |  |  |  |  |  |  |   |   |
|            |   | Enabled  | 1     | Read: Enabled  |  |  |  |  |  |  |  |  |  |  |  |  |  |  |  |  |  |  |  |   |   |   |   |  |  |  |  |  |  |  |  |  |  |   |   |
|            |   | Set      | 1     | Enable   |  |  |  |  |  |  |  |  |  |  |  |  |  |  |  |  |  |  |  |   |   |   |   |  |  |  |  |  |  |  |  |  |  |   |   |

### 6.22.10.12 EVTENCLR

Address offset: 0x348

Disable event routing

| Bit number | 31 30 29 28 27 26 25 24 23 22 21 20 19 18 17 16 15 14 13 12 11 10 9 8 7 6 5 4 3 2 1 0 |          |       |   |  |  |  |  |  |  |  |  |  |  |  |  |  |  |  |  |  |  |  |   |   |   |   |  |  |  |  |  |  |  |  |  |  |   |   |
|------------|---|----------|-------|---|--|--|--|--|--|--|--|--|--|--|--|--|--|--|--|--|--|--|--|---|---|---|---|--|--|--|--|--|--|--|--|--|--|---|---|
| ID         |   |          |       |   |  |  |  |  |  |  |  |  |  |  |  |  |  |  |  |  |  |  |  | F | E | D | C |  |  |  |  |  |  |  |  |  |  | B | A |
| Reset      | 0x00000000  |          |       |   |  |  |  |  |  |  |  |  |  |  |  |  |  |  |  |  |  |  |  |   |   |   |   |  |  |  |  |  |  |  |  |  |  |   |   |
| 0          | 0             |          |       |   |  |  |  |  |  |  |  |  |  |  |  |  |  |  |  |  |  |  |  |   |   |   |   |  |  |  |  |  |  |  |  |  |  |   |   |
| ID         | Acce Field  | Value ID | Value | Description   |  |  |  |  |  |  |  |  |  |  |  |  |  |  |  |  |  |  |  |   |   |   |   |  |  |  |  |  |  |  |  |  |  |   |   |
| A          | RW TICK   |          |       | Write '1' to disable event routing for event TICK       |  |  |  |  |  |  |  |  |  |  |  |  |  |  |  |  |  |  |  |   |   |   |   |  |  |  |  |  |  |  |  |  |  |   |   |
|            |   | Disabled | 0     | Read: Disabled  |  |  |  |  |  |  |  |  |  |  |  |  |  |  |  |  |  |  |  |   |   |   |   |  |  |  |  |  |  |  |  |  |  |   |   |
|            |   | Enabled  | 1     | Read: Enabled   |  |  |  |  |  |  |  |  |  |  |  |  |  |  |  |  |  |  |  |   |   |   |   |  |  |  |  |  |  |  |  |  |  |   |   |
|            |   | Clear    | 1     | Disable   |  |  |  |  |  |  |  |  |  |  |  |  |  |  |  |  |  |  |  |   |   |   |   |  |  |  |  |  |  |  |  |  |  |   |   |
| B          | RW OVRFLW   |          |       | Write '1' to disable event routing for event OVRFLW     |  |  |  |  |  |  |  |  |  |  |  |  |  |  |  |  |  |  |  |   |   |   |   |  |  |  |  |  |  |  |  |  |  |   |   |
|            |   | Disabled | 0     | Read: Disabled  |  |  |  |  |  |  |  |  |  |  |  |  |  |  |  |  |  |  |  |   |   |   |   |  |  |  |  |  |  |  |  |  |  |   |   |
|            |   | Enabled  | 1     | Read: Enabled   |  |  |  |  |  |  |  |  |  |  |  |  |  |  |  |  |  |  |  |   |   |   |   |  |  |  |  |  |  |  |  |  |  |   |   |
|            |   | Clear    | 1     | Disable   |  |  |  |  |  |  |  |  |  |  |  |  |  |  |  |  |  |  |  |   |   |   |   |  |  |  |  |  |  |  |  |  |  |   |   |
| C-F        | RW COMPARE[i] (i=0..3)  |          |       | Write '1' to disable event routing for event COMPARE[i] |  |  |  |  |  |  |  |  |  |  |  |  |  |  |  |  |  |  |  |   |   |   |   |  |  |  |  |  |  |  |  |  |  |   |   |
|            |   | Disabled | 0     | Read: Disabled  |  |  |  |  |  |  |  |  |  |  |  |  |  |  |  |  |  |  |  |   |   |   |   |  |  |  |  |  |  |  |  |  |  |   |   |
|            |   | Enabled  | 1     | Read: Enabled   |  |  |  |  |  |  |  |  |  |  |  |  |  |  |  |  |  |  |  |   |   |   |   |  |  |  |  |  |  |  |  |  |  |   |   |
|            |   | Clear    | 1     | Disable   |  |  |  |  |  |  |  |  |  |  |  |  |  |  |  |  |  |  |  |   |   |   |   |  |  |  |  |  |  |  |  |  |  |   |   |

### 6.22.10.13 COUNTER

Address offset: 0x504

Current COUNTER value

| Bit number | 31 30 29 28 27 26 25 24 23 22 21 20 19 18 17 16 15 14 13 12 11 10 9 8 7 6 5 4 3 2 1 0 |          |       |               |  |  |  |  |  |  |  |  |  |  |  |  |  |  |  |  |  |  |  |   |   |   |   |   |   |   |   |   |   |   |   |   |   |   |   |   |   |   |   |   |   |   |   |   |   |   |   |   |
|------------|---|----------|-------|---------------|--|--|--|--|--|--|--|--|--|--|--|--|--|--|--|--|--|--|--|---|---|---|---|---|---|---|---|---|---|---|---|---|---|---|---|---|---|---|---|---|---|---|---|---|---|---|---|---|
| ID         |   |          |       |               |  |  |  |  |  |  |  |  |  |  |  |  |  |  |  |  |  |  |  | A | A | A | A | A | A | A | A | A | A | A | A | A | A | A | A | A | A | A | A | A | A | A | A | A | A | A | A | A |
| Reset      | 0x00000000  |          |       |               |  |  |  |  |  |  |  |  |  |  |  |  |  |  |  |  |  |  |  |   |   |   |   |   |   |   |   |   |   |   |   |   |   |   |   |   |   |   |   |   |   |   |   |   |   |   |   |   |
| 0          | 0             |          |       |               |  |  |  |  |  |  |  |  |  |  |  |  |  |  |  |  |  |  |  |   |   |   |   |   |   |   |   |   |   |   |   |   |   |   |   |   |   |   |   |   |   |   |   |   |   |   |   |   |
| ID         | Acce Field  | Value ID | Value | Description   |  |  |  |  |  |  |  |  |  |  |  |  |  |  |  |  |  |  |  |   |   |   |   |   |   |   |   |   |   |   |   |   |   |   |   |   |   |   |   |   |   |   |   |   |   |   |   |   |
| A          | R   | COUNTER  |       | Counter value |  |  |  |  |  |  |  |  |  |  |  |  |  |  |  |  |  |  |  |   |   |   |   |   |   |   |   |   |   |   |   |   |   |   |   |   |   |   |   |   |   |   |   |   |   |   |   |   |

### 6.22.10.14 PRESCALER

Address offset: 0x508

12 bit prescaler for COUNTER frequency ( $32768 / (\text{PRESCALER} + 1)$ ). Must be written when RTC is stopped.

| Bit number | 31 30 29 28 27 26 25 24 23 22 21 20 19 18 17 16 15 14 13 12 11 10 9 8 7 6 5 4 3 2 1 0 |           |       |                 |  |  |  |  |  |  |  |  |  |  |  |  |  |  |  |  |  |  |  |   |   |   |   |   |   |   |   |   |   |   |   |   |   |   |   |   |   |   |   |   |   |   |   |   |   |   |   |   |
|------------|---|-----------|-------|-----------------|--|--|--|--|--|--|--|--|--|--|--|--|--|--|--|--|--|--|--|---|---|---|---|---|---|---|---|---|---|---|---|---|---|---|---|---|---|---|---|---|---|---|---|---|---|---|---|---|
| ID         |   |           |       |                 |  |  |  |  |  |  |  |  |  |  |  |  |  |  |  |  |  |  |  | A | A | A | A | A | A | A | A | A | A | A | A | A | A | A | A | A | A | A | A | A | A | A | A | A | A | A | A | A |
| Reset      | 0x00000000  |           |       |                 |  |  |  |  |  |  |  |  |  |  |  |  |  |  |  |  |  |  |  |   |   |   |   |   |   |   |   |   |   |   |   |   |   |   |   |   |   |   |   |   |   |   |   |   |   |   |   |   |
| 0          | 0             |           |       |                 |  |  |  |  |  |  |  |  |  |  |  |  |  |  |  |  |  |  |  |   |   |   |   |   |   |   |   |   |   |   |   |   |   |   |   |   |   |   |   |   |   |   |   |   |   |   |   |   |
| ID         | Acce Field  | Value ID  | Value | Description     |  |  |  |  |  |  |  |  |  |  |  |  |  |  |  |  |  |  |  |   |   |   |   |   |   |   |   |   |   |   |   |   |   |   |   |   |   |   |   |   |   |   |   |   |   |   |   |   |
| A          | RW  | PRESCALER |       | Prescaler value |  |  |  |  |  |  |  |  |  |  |  |  |  |  |  |  |  |  |  |   |   |   |   |   |   |   |   |   |   |   |   |   |   |   |   |   |   |   |   |   |   |   |   |   |   |   |   |   |

### 6.22.10.15 CC[n] (n=0..3)

Address offset:  $0x540 + (n \times 0x4)$

Compare register n

| Bit number       | 31   | 30      | 29    | 28 | 27    | 26            | 25 | 24 | 23 | 22 | 21 | 20 | 19 | 18 | 17 | 16 | 15 | 14 | 13 | 12 | 11 | 10 | 9 | 8 | 7 | 6 | 5 | 4 | 3 | 2 | 1 | 0 |
|------------------|------|---------|-------|----|-------|---------------|----|----|----|----|----|----|----|----|----|----|----|----|----|----|----|----|---|---|---|---|---|---|---|---|---|---|
| ID               |      |         |       |    |       |               |    |    |    | A  | A  | A  | A  | A  | A  | A  | A  | A  | A  | A  | A  | A  | A | A | A | A | A | A | A | A | A | A |
| Reset 0x00000000 | 0    | 0       | 0     | 0  | 0     | 0             | 0  | 0  | 0  | 0  | 0  | 0  | 0  | 0  | 0  | 0  | 0  | 0  | 0  | 0  | 0  | 0  | 0 | 0 | 0 | 0 | 0 | 0 | 0 | 0 | 0 |   |
| ID               | Acce | Field   | Value | ID | Value | Description   |    |    |    |    |    |    |    |    |    |    |    |    |    |    |    |    |   |   |   |   |   |   |   |   |   |   |
| A                | RW   | COMPARE |       |    |       | Compare value |    |    |    |    |    |    |    |    |    |    |    |    |    |    |    |    |   |   |   |   |   |   |   |   |   |   |

### 6.22.11 Electrical specification

## 6.23 SAADC — Successive approximation analog-to-digital converter

The SAADC is a differential successive approximation register (SAR) analog-to-digital converter. It supports up to eight external analog input channels, depending on package variant.

The following lists the main features of the SAADC:

- Multiple input channels
  - Each channel can use pins AIN0 through AIN7, the VDD pin, or the VDDH pin as input
  - Eight channels for single-ended inputs and four channels for differential inputs
- Full scale input range
- Individual reference selection for each channel
  - VDD
  - Internal reference
- Continuous sampling
- Output samples are automatically written to RAM using EasyDMA
- Samples are stored as 16-bit 2's complement values
- 8/10/12-bit resolution, 14-bit resolution with oversampling



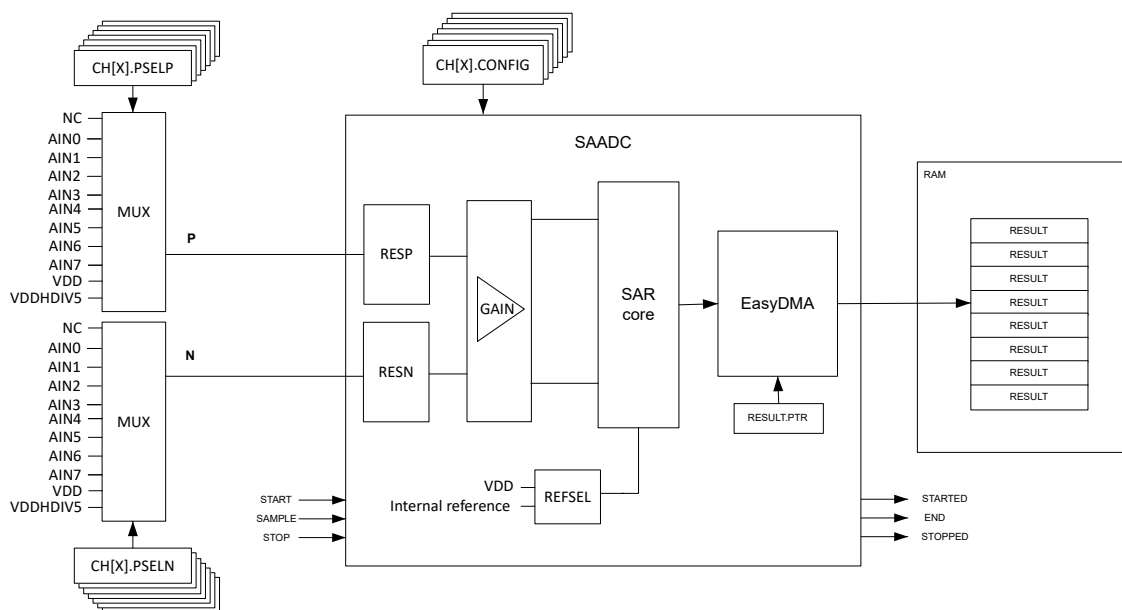


Figure 148: Block diagram

An input channel is enabled and connected to an analog input pin using the registers [CH\[n\].PSELP](#) ( $n=0..7$ ) on page 397 and [CH\[n\].PSELN](#) ( $n=0..7$ ) on page 397.

Before any sampling can take place, the length and the location of the memory buffer in RAM where output values shall be written need to be configured, and the START task has to be triggered to apply the configuration. See [EasyDMA](#) on page 383 for details on memory configuration and how the results are placed in memory.

Sampling of all enabled channels is started by triggering the SAMPLE task, and the sample results are automatically written to memory using EasyDMA.

When multiple channels are enabled, they are sampled successively in a sequence starting with the lowest channel number. The time it takes to sample all enabled channels is given as follows:

$$\text{Total time} < \text{Sum}(\text{CH}[x].t_{\text{ACQ}} + t_{\text{CONV}}), \text{ x is the number of enabled channels}$$

A DONE event is generated for every single completed conversion, and an END event is generated when multiple samples, as specified in [RESULT.MAXCNT](#) on page 400, have been written to memory.

### 6.23.1 Input configuration

Each SAADC channel can be configured to use either single-ended or differential input mode.

The configuration is done using the registers [CH\[n\].CONFIG](#) ( $n=0..7$ ) on page 398. In single-ended mode, the negative channel input is shorted to ground internally and the setting in the corresponding register [CH\[n\].PSELN](#) ( $n=0..7$ ) on page 397 will not apply. The assumption in single-ended mode is that the internal ground of the SAADC is the same as the external ground that the measured voltage is referred to. The SAADC is thus sensitive to ground bounce on the PCB in single-ended mode. If this is a concern, using differential measurement is recommended. In differential mode, both positive and negative input has to be configured in registers [CH\[n\].PSELP](#) ( $n=0..7$ ) on page 397 and [CH\[n\].PSELN](#) ( $n=0..7$ ) on page 397 respectively.

#### 6.23.1.1 Acquisition time

To sample input voltage, the SAADC connects a capacitor to the input.

This is illustrated in the following figure:

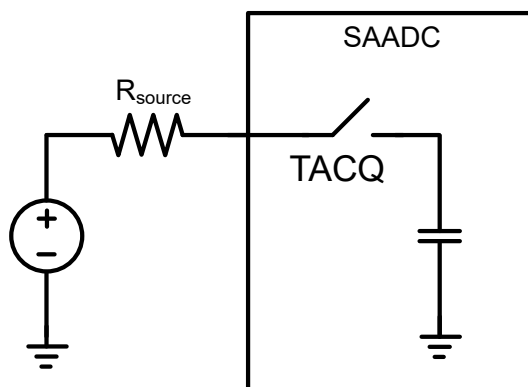


Figure 149: Simplified SAADC sample network

The acquisition time indicates how long the capacitor is connected, see TACQ field in CH[n].CONFIG register. The required acquisition time depends on the source resistance ( $R_{source}$ ). For high source resistance the acquisition time should be increased:

| TACQ [ $\mu$ s] | Maximum source resistance [k $\Omega$ ] |
|-----------------|---|
| 3               | 10                                      |
| 5               | 40                                      |
| 10              | 100                                     |
| 15              | 200                                     |
| 20              | 400                                     |
| 40              | 800                                     |

Table 98: Acquisition time

When using VDDHDIV5 as input, the acquisition time needs to be 10  $\mu$ s or higher.

### 6.23.1.2 Internal resistor string (resistor ladder)

The SAADC has an internal resistor string for positive and negative input. The resistors are controlled in registers CH[n].CONFIG.RESP and CH[n].CONFIG.RESN.

The following figure illustrates the resistor ladder for positive (and negative) input:

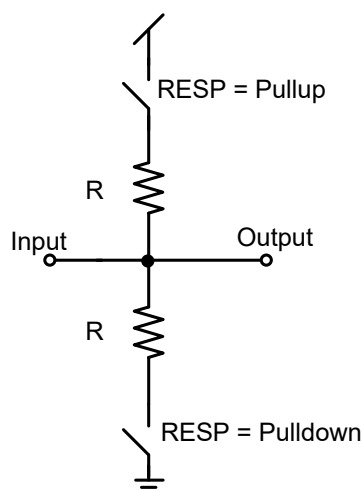


Figure 150: Resistor ladder for positive input (negative input is equivalent, using RESN instead of RESP)

## 6.23.2 Reference voltage and gain settings

Each SAADC channel can have individual reference and gain settings.

This is configured in registers `CH[n].CONFIG (n=0..7)` on page 398. Available configuration options are:

- VDD/4 or internal 0.6 V reference
- Gain ranging from 1/6 to 4

The gain setting can be used to control the effective input range of the SAADC:

$$\text{Input range} = (\pm 0.6 \text{ V or } \pm \text{VDD}/4) / \text{gain}$$

For example, selecting VDD as reference, single-ended input (grounded negative input), and a gain of 1/4 will result in the following input range:

$$\text{Input range} = (\text{VDD}/4) / (1/4) = \text{VDD}$$

With internal reference, single-ended input (grounded negative input) and a gain of 1/6, the input range will be:

$$\text{Input range} = (0.6 \text{ V}) / (1/6) = 3.6 \text{ V}$$

Inputs AIN0 through AIN7 cannot exceed VDD or be lower than VSS.

## 6.23.3 Digital output

The digital output value from the SAADC is calculated using a formula.

$$\text{RESULT} = (V(P) - V(N)) * (\text{GAIN}/\text{REFERENCE}) * 2^{(\text{RESOLUTION} - m)}$$

where

**V(P)**

is the voltage at input P

**V(N)**

is the voltage at input N

**GAIN**

is the selected gain

**REFERENCE**

is the selected reference voltage

**RESOLUTION**

is output resolution in bits, as configured in register `RESOLUTION` on page 399

**m**

is 0 for single-ended channels

is 1 for differential channels

Results are sign extended to 16 bits and stored as little-endian byte order in RAM.

## 6.23.4 EasyDMA

The SAADC resources are started by triggering the START task. The SAADC is using EasyDMA to store results in a result buffer in RAM.

Registers [RESULT.PTR](#) on page 400 and [RESULT.MAXCNT](#) on page 400 must be configured before SAADC is started.

The result buffer is located at the address specified in register [RESULT.PTR](#) on page 400. This register is double-buffered, and it can be updated and prepared for the next START task immediately after the STARTED event is generated. The size of the result buffer is specified in register [RESULT.MAXCNT](#) on page 400, and the SAADC will generate an END event when it has filled up the result buffer, as illustrated in the following figure:

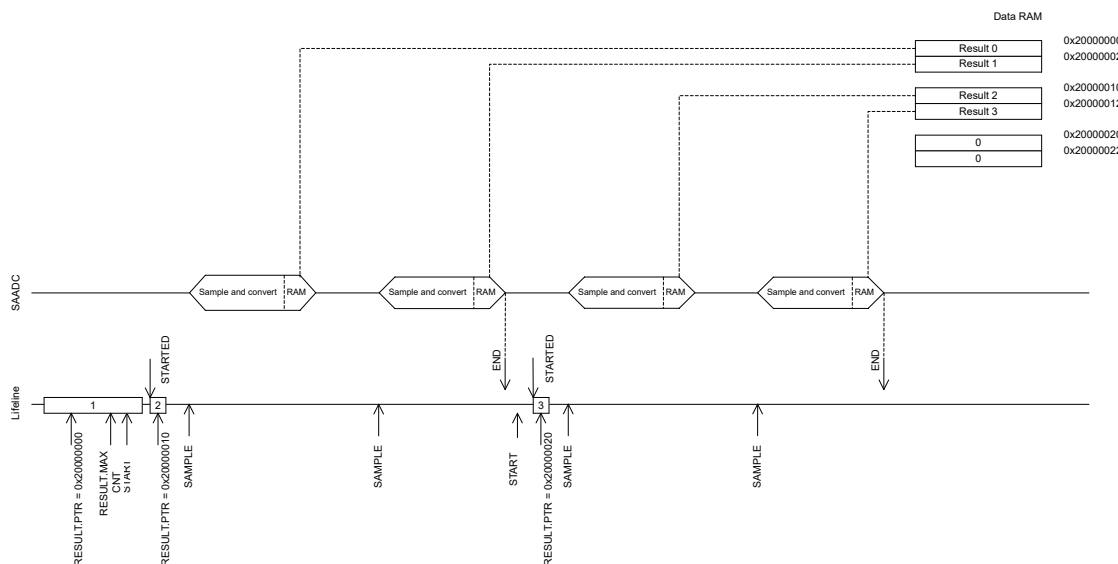


Figure 151: SAADC

The following figure shows how results are placed in RAM when multiple channels are enabled, and value in [RESULT.MAXCNT](#) on page 400 is an even number:

|                                  |                              |    |                              |   |
|----------------------------------|------------------------------|----|------------------------------|---|
|                                  | 31                           | 16 | 15                           | 0 |
| RESULT.PTR                       | CH[2] 1 <sup>st</sup> result |    | CH[1] 1 <sup>st</sup> result |   |
| RESULT.PTR + 4                   | CH[1] 2 <sup>nd</sup> result |    | CH[5] 1 <sup>st</sup> result |   |
| RESULT.PTR + 8                   | CH[5] 2 <sup>nd</sup> result |    | CH[2] 2 <sup>nd</sup> result |   |
|                                  | (...)                        |    |                              |   |
| RESULT.PTR + 2*RESULT.MAXCNT - 4 | CH[5] last result            |    | CH[2] last result            |   |

Figure 152: Example of RAM placement: [RESULT.MAXCNT](#) even number, channels 1, 2 and 5 enabled

The following figure shows how results are placed in RAM when multiple channels are enabled and value in [RESULT.MAXCNT](#) on page 400 is an odd number:

|                                  |                              |    |                              |                   |
|----------------------------------|------------------------------|----|------------------------------|-------------------|
|                                  | 31                           | 16 | 15                           | 0                 |
| RESULT.PTR                       | CH[2] 1 <sup>st</sup> result |    | CH[1] 1 <sup>st</sup> result |                   |
| RESULT.PTR + 4                   | CH[1] 2 <sup>nd</sup> result |    | CH[5] 1 <sup>st</sup> result |                   |
| RESULT.PTR + 8                   | CH[5] 2 <sup>nd</sup> result |    | CH[2] 2 <sup>nd</sup> result |                   |
|                                  | (...)                        |    |                              |                   |
| RESULT.PTR + 2*RESULT.MAXCNT - 2 |                              |    |                              | CH[5] last result |

Figure 153: Example of RAM placement: [RESULT.MAXCNT](#) odd number, channels 1, 2 and 5 enabled

The last 32-bit word is populated only with one 16-bit result. In both examples, channels 1, 2 and 5 are enabled, and all others are disabled.

See [Memory](#) on page 20 for more information about the different memory regions.

EasyDMA is finished with accessing RAM when events END or STOPPED are generated. The register [RESULT.AMOUNT](#) on page 401 can then be read, to see how many results have been transferred to the result buffer in RAM since the START task was triggered.

### 6.23.5 Continuous sampling

When using continuous sampling, new samples are automatically taken at a fixed sample rate.

Continuous sampling of both single and multiple channels can be implemented using a general purpose timer connecting a timer event to SAADC's SAMPLE task via PPI.

Alternatively, continuous sampling can be implemented by using the internal timer in the SAADC by setting the MODE field in register [SAMPLERATE](#) on page 400 to `Timers`. The sample rate (frequency at which the SAMPLE task is triggered) is configured in the same register. The internal timer and the continuous sampling are started by triggering the START task and stopped using the STOP task.

**Note:** Note that the internal timer can only be used when a single input channel is enabled.

For continuous sampling, ensure that the sample rate fullfills the following criteria:

$$f_{\text{SAMPLE}} < 1 / [\tau_{\text{ACQ}} + \tau_{\text{conv}}]$$

### 6.23.6 Oversampling

An accumulator in the SAADC can be used to find the average of several analog input samples. In general, oversampling improves the signal-to-noise ratio (SNR). Oversampling does not improve the integral non-linearity (INL) or differential non-linearity (DNL).

The accumulator is controlled in the [OVERSAMPLE](#) register. When using oversampling,  $2^{\text{OVERSAMPLE}}$  input samples are averaged before the sample result is transferred to memory. Hence, the SAMPLE task must be triggered  $2^{\text{OVERSAMPLE}}$  times for each output value. The following events are relevant:

- DONE event is generated for every input sample taken
- RESULTDONE event is generated for every averaged value ready to be transferred into RAM
- END event is generated when averaged values defined in [RESULT.MAXCNT](#) on page 400 have been written to memory. END event is generated every  $2^{\text{OVERSAMPLE}}$  time the DONE event is generated.

If value in [OVERSAMPLE](#) is set to 0, the DONE and RESULTDONE events will be generated at the same rate.

**Note:** Oversampling should only be used when a single input channel is enabled, as averaging is performed over all enabled channels.

### 6.23.7 Event monitoring using limits

A channel can be event monitored by using limits.

Limits are configured in [CH\[n\].LIMIT](#) register, with high limit and low limit.

**Note:** High limit shall always be higher than or equal to low limit.

Appropriate events are generated whenever the conversion results (sampled input signals) are outside of the two defined limits. It is not possible to generate an event when the input signal is inside a defined range by swapping high and low limits. An example of event monitoring using limits is illustrated in the following figure:

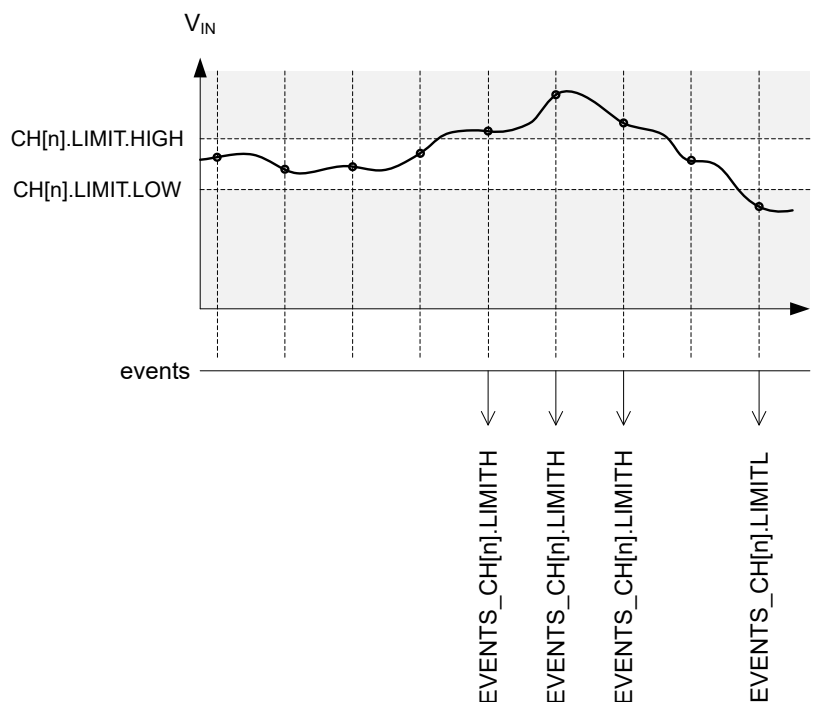


Figure 154: Example: Event monitoring on channel  $n$  using limits

The comparison to limits always takes place, it does not need to be specifically enabled. If comparison is not required on a channel, the software ignores the related events. In that situation, the value of the limits defined in register is irrelevant, i.e. it does not matter if the low limit is lower than the high limit or not.

### 6.23.8 Calibration

The SAADC has a temperature dependent offset.

Therefore, it is recommended to calibrate the SAADC at least once before use, and to re-run calibration every time the ambient temperature has changed by more than 10 °C.

Offset calibration is started by triggering the CALIBRATEOFFSET task, and the CALIBRATEDONE event is generated when calibration is done.

### 6.23.9 Registers

| Base address | Peripheral | Instance | Description                 | Configuration |
|--------------|------------|----------|-----------------------------|---------------|
| 0x40007000   | SAADC      | SAADC    | Analog to digital converter |               |

Table 99: Instances

| Register              | Offset | Description   |
|-----------------------|--------|---|
| TASKS_START           | 0x000  | Starts the SAADC and prepares the result buffer in RAM  |
| TASKS_SAMPLE          | 0x004  | Takes one SAADC sample  |
| TASKS_STOP            | 0x008  | Stops the SAADC and terminates all on-going conversions   |
| TASKS_CALIBRATEOFFSET | 0x00C  | Starts offset auto-calibration  |
| EVENTS_STARTED        | 0x100  | The SAADC has started   |
| EVENTS_END            | 0x104  | The SAADC has filled up the result buffer   |
| EVENTS_DONE           | 0x108  | A conversion task has been completed. Depending on the configuration, multiple conversions might be needed for a result to be transferred to RAM. |
| EVENTS_RESULTDONE     | 0x10C  | Result ready for transfer to RAM  |

| Register             | Offset | Description                                       |
|----------------------|--------|---|
| EVENTS_CALIBRATEDONE | 0x110  | Calibration is complete                           |
| EVENTS_STOPPED       | 0x114  | The SAADC has stopped                             |
| EVENTS_CH[0].LIMITH  | 0x118  | Last result is equal or above CH[0].LIMIT.HIGH    |
| EVENTS_CH[0].LIMITL  | 0x11C  | Last result is equal or below CH[0].LIMIT.LOW     |
| EVENTS_CH[1].LIMITH  | 0x120  | Last result is equal or above CH[1].LIMIT.HIGH    |
| EVENTS_CH[1].LIMITL  | 0x124  | Last result is equal or below CH[1].LIMIT.LOW     |
| EVENTS_CH[2].LIMITH  | 0x128  | Last result is equal or above CH[2].LIMIT.HIGH    |
| EVENTS_CH[2].LIMITL  | 0x12C  | Last result is equal or below CH[2].LIMIT.LOW     |
| EVENTS_CH[3].LIMITH  | 0x130  | Last result is equal or above CH[3].LIMIT.HIGH    |
| EVENTS_CH[3].LIMITL  | 0x134  | Last result is equal or below CH[3].LIMIT.LOW     |
| EVENTS_CH[4].LIMITH  | 0x138  | Last result is equal or above CH[4].LIMIT.HIGH    |
| EVENTS_CH[4].LIMITL  | 0x13C  | Last result is equal or below CH[4].LIMIT.LOW     |
| EVENTS_CH[5].LIMITH  | 0x140  | Last result is equal or above CH[5].LIMIT.HIGH    |
| EVENTS_CH[5].LIMITL  | 0x144  | Last result is equal or below CH[5].LIMIT.LOW     |
| EVENTS_CH[6].LIMITH  | 0x148  | Last result is equal or above CH[6].LIMIT.HIGH    |
| EVENTS_CH[6].LIMITL  | 0x14C  | Last result is equal or below CH[6].LIMIT.LOW     |
| EVENTS_CH[7].LIMITH  | 0x150  | Last result is equal or above CH[7].LIMIT.HIGH    |
| EVENTS_CH[7].LIMITL  | 0x154  | Last result is equal or below CH[7].LIMIT.LOW     |
| INTEN                | 0x300  | Enable or disable interrupt                       |
| INTENSET             | 0x304  | Enable interrupt                                  |
| INTENCLR             | 0x308  | Disable interrupt                                 |
| STATUS               | 0x400  | Status  |
| ENABLE               | 0x500  | Enable or disable SAADC                           |
| CH[0].PSEL           | 0x510  | Input positive pin selection for CH[0]            |
| CH[0].PSELN          | 0x514  | Input negative pin selection for CH[0]            |
| CH[0].CONFIG         | 0x518  | Input configuration for CH[0]                     |
| CH[0].LIMIT          | 0x51C  | High/low limits for event monitoring of a channel |
| CH[1].PSEL           | 0x520  | Input positive pin selection for CH[1]            |
| CH[1].PSELN          | 0x524  | Input negative pin selection for CH[1]            |
| CH[1].CONFIG         | 0x528  | Input configuration for CH[1]                     |
| CH[1].LIMIT          | 0x52C  | High/low limits for event monitoring of a channel |
| CH[2].PSEL           | 0x530  | Input positive pin selection for CH[2]            |
| CH[2].PSELN          | 0x534  | Input negative pin selection for CH[2]            |
| CH[2].CONFIG         | 0x538  | Input configuration for CH[2]                     |
| CH[2].LIMIT          | 0x53C  | High/low limits for event monitoring of a channel |
| CH[3].PSEL           | 0x540  | Input positive pin selection for CH[3]            |
| CH[3].PSELN          | 0x544  | Input negative pin selection for CH[3]            |
| CH[3].CONFIG         | 0x548  | Input configuration for CH[3]                     |
| CH[3].LIMIT          | 0x54C  | High/low limits for event monitoring of a channel |
| CH[4].PSEL           | 0x550  | Input positive pin selection for CH[4]            |
| CH[4].PSELN          | 0x554  | Input negative pin selection for CH[4]            |
| CH[4].CONFIG         | 0x558  | Input configuration for CH[4]                     |
| CH[4].LIMIT          | 0x55C  | High/low limits for event monitoring of a channel |
| CH[5].PSEL           | 0x560  | Input positive pin selection for CH[5]            |
| CH[5].PSELN          | 0x564  | Input negative pin selection for CH[5]            |
| CH[5].CONFIG         | 0x568  | Input configuration for CH[5]                     |
| CH[5].LIMIT          | 0x56C  | High/low limits for event monitoring of a channel |
| CH[6].PSEL           | 0x570  | Input positive pin selection for CH[6]            |
| CH[6].PSELN          | 0x574  | Input negative pin selection for CH[6]            |
| CH[6].CONFIG         | 0x578  | Input configuration for CH[6]                     |
| CH[6].LIMIT          | 0x57C  | High/low limits for event monitoring of a channel |
| CH[7].PSEL           | 0x580  | Input positive pin selection for CH[7]            |
| CH[7].PSELN          | 0x584  | Input negative pin selection for CH[7]            |

| Register      | Offset | Description  |
|---------------|--------|--|
| CH[7].CONFIG  | 0x588  | Input configuration for CH[7]  |
| CH[7].LIMIT   | 0x58C  | High/low limits for event monitoring of a channel  |
| RESOLUTION    | 0x5F0  | Resolution configuration   |
| OVERSAMPLE    | 0x5F4  | Oversampling configuration. The RESOLUTION is applied before averaging, thus for high OVERSAMPLE a higher RESOLUTION should be used. |
| SAMPLERATE    | 0x5F8  | Controls normal or continuous sample rate  |
| RESULT.PTR    | 0x62C  | Data pointer   |
| RESULT.MAXCNT | 0x630  | Maximum number of 16-bit samples to be written to output RAM buffer  |
| RESULT.AMOUNT | 0x634  | Number of 16-bit samples written to output RAM buffer since the previous START task  |

Table 100: Register overview

### 6.23.9.1 TASKS\_START

Address offset: 0x000

Starts the SAADC and prepares the result buffer in RAM

| Bit number       | 31  | 30          | 29    | 28   | 27 | 26 | 25 | 24 | 23 | 22 | 21 | 20 | 19 | 18 | 17 | 16 | 15 | 14 | 13 | 12 | 11 | 10 | 9 | 8 | 7 | 6 | 5 | 4 | 3 | 2 | 1 | 0 |
|------------------|---|-------------|-------|--|----|----|----|----|----|----|----|----|----|----|----|----|----|----|----|----|----|----|---|---|---|---|---|---|---|---|---|---|
| ID               |   |             |       |  |    |    |    |    |    |    |    |    |    |    |    |    |    |    |    |    |    |    |   |   |   |   |   |   |   |   |   | A |
| Reset 0x00000000 | 0 |             |       |  |    |    |    |    |    |    |    |    |    |    |    |    |    |    |    |    |    |    |   |   |   |   |   |   |   |   |   |   |
| ID               | Acce Field  | Value ID    | Value | Description  |    |    |    |    |    |    |    |    |    |    |    |    |    |    |    |    |    |    |   |   |   |   |   |   |   |   |   |   |
| A                | W   | TASKS_START |       | Starts the SAADC and prepares the result buffer in RAM |    |    |    |    |    |    |    |    |    |    |    |    |    |    |    |    |    |    |   |   |   |   |   |   |   |   |   |   |
|                  |   | Trigger     | 1     | Trigger task   |    |    |    |    |    |    |    |    |    |    |    |    |    |    |    |    |    |    |   |   |   |   |   |   |   |   |   |   |

### 6.23.9.2 TASKS\_SAMPLE

Address offset: 0x004

Takes one SAADC sample

| Bit number       | 31  | 30           | 29    | 28                     | 27 | 26 | 25 | 24 | 23 | 22 | 21 | 20 | 19 | 18 | 17 | 16 | 15 | 14 | 13 | 12 | 11 | 10 | 9 | 8 | 7 | 6 | 5 | 4 | 3 | 2 | 1 | 0 |
|------------------|---|--------------|-------|------------------------|----|----|----|----|----|----|----|----|----|----|----|----|----|----|----|----|----|----|---|---|---|---|---|---|---|---|---|---|
| ID               |   |              |       |                        |    |    |    |    |    |    |    |    |    |    |    |    |    |    |    |    |    |    |   |   |   |   |   |   |   |   |   | A |
| Reset 0x00000000 | 0 |              |       |                        |    |    |    |    |    |    |    |    |    |    |    |    |    |    |    |    |    |    |   |   |   |   |   |   |   |   |   |   |
| ID               | Acce Field  | Value ID     | Value | Description            |    |    |    |    |    |    |    |    |    |    |    |    |    |    |    |    |    |    |   |   |   |   |   |   |   |   |   |   |
| A                | W   | TASKS_SAMPLE |       | Takes one SAADC sample |    |    |    |    |    |    |    |    |    |    |    |    |    |    |    |    |    |    |   |   |   |   |   |   |   |   |   |   |
|                  |   | Trigger      | 1     | Trigger task           |    |    |    |    |    |    |    |    |    |    |    |    |    |    |    |    |    |    |   |   |   |   |   |   |   |   |   |   |

### 6.23.9.3 TASKS\_STOP

Address offset: 0x008

Stops the SAADC and terminates all on-going conversions

| Bit number       | 31  | 30         | 29    | 28  | 27 | 26 | 25 | 24 | 23 | 22 | 21 | 20 | 19 | 18 | 17 | 16 | 15 | 14 | 13 | 12 | 11 | 10 | 9 | 8 | 7 | 6 | 5 | 4 | 3 | 2 | 1 | 0 |
|------------------|---|------------|-------|---|----|----|----|----|----|----|----|----|----|----|----|----|----|----|----|----|----|----|---|---|---|---|---|---|---|---|---|---|
| ID               |   |            |       |   |    |    |    |    |    |    |    |    |    |    |    |    |    |    |    |    |    |    |   |   |   |   |   |   |   |   |   | A |
| Reset 0x00000000 | 0 |            |       |   |    |    |    |    |    |    |    |    |    |    |    |    |    |    |    |    |    |    |   |   |   |   |   |   |   |   |   |   |
| ID               | Acce Field  | Value ID   | Value | Description   |    |    |    |    |    |    |    |    |    |    |    |    |    |    |    |    |    |    |   |   |   |   |   |   |   |   |   |   |
| A                | W   | TASKS_STOP |       | Stops the SAADC and terminates all on-going conversions |    |    |    |    |    |    |    |    |    |    |    |    |    |    |    |    |    |    |   |   |   |   |   |   |   |   |   |   |
|                  |   | Trigger    | 1     | Trigger task  |    |    |    |    |    |    |    |    |    |    |    |    |    |    |    |    |    |    |   |   |   |   |   |   |   |   |   |   |

### 6.23.9.4 TASKS\_CALIBRATEOFFSET

Address offset: 0x00C



## Starts offset auto-calibration

| Bit number       | 31 30 29 28 27 26 25 24 23 22 21 20 19 18 17 16 15 14 13 12 11 10 9 8 7 6 5 4 3 2 1 0 |          |       |                                |  |  |  |  |  |  |  |  |  |  |  |  |  |  |  |  |  |  |  |  |  |  |  |  |  |  |  |
|------------------|---|----------|-------|--------------------------------|--|--|--|--|--|--|--|--|--|--|--|--|--|--|--|--|--|--|--|--|--|--|--|--|--|--|--|
| ID               | A   |          |       |                                |  |  |  |  |  |  |  |  |  |  |  |  |  |  |  |  |  |  |  |  |  |  |  |  |  |  |  |
| Reset 0x00000000 | 0             |          |       |                                |  |  |  |  |  |  |  |  |  |  |  |  |  |  |  |  |  |  |  |  |  |  |  |  |  |  |  |
| ID               | Acce Field  | Value ID | Value | Description                    |  |  |  |  |  |  |  |  |  |  |  |  |  |  |  |  |  |  |  |  |  |  |  |  |  |  |  |
| A                | W TASKS_CALIBRATEOFFSET   |          |       | Starts offset auto-calibration |  |  |  |  |  |  |  |  |  |  |  |  |  |  |  |  |  |  |  |  |  |  |  |  |  |  |  |
|                  |   | Trigger  | 1     | Trigger task                   |  |  |  |  |  |  |  |  |  |  |  |  |  |  |  |  |  |  |  |  |  |  |  |  |  |  |  |

## 6.23.9.5 EVENTS\_STARTED

Address offset: 0x100

The SAADC has started

| Bit number       | 31 30 29 28 27 26 25 24 23 22 21 20 19 18 17 16 15 14 13 12 11 10 9 8 7 6 5 4 3 2 1 0 |              |       |                       |  |  |  |  |  |  |  |  |  |  |  |  |  |  |  |  |  |  |  |  |  |  |  |  |  |  |  |
|------------------|---|--------------|-------|-----------------------|--|--|--|--|--|--|--|--|--|--|--|--|--|--|--|--|--|--|--|--|--|--|--|--|--|--|--|
| ID               | A   |              |       |                       |  |  |  |  |  |  |  |  |  |  |  |  |  |  |  |  |  |  |  |  |  |  |  |  |  |  |  |
| Reset 0x00000000 | 0             |              |       |                       |  |  |  |  |  |  |  |  |  |  |  |  |  |  |  |  |  |  |  |  |  |  |  |  |  |  |  |
| ID               | Acce Field  | Value ID     | Value | Description           |  |  |  |  |  |  |  |  |  |  |  |  |  |  |  |  |  |  |  |  |  |  |  |  |  |  |  |
| A                | RW EVENTS_STARTED   |              |       | The SAADC has started |  |  |  |  |  |  |  |  |  |  |  |  |  |  |  |  |  |  |  |  |  |  |  |  |  |  |  |
|                  |   | NotGenerated | 0     | Event not generated   |  |  |  |  |  |  |  |  |  |  |  |  |  |  |  |  |  |  |  |  |  |  |  |  |  |  |  |
|                  |   | Generated    | 1     | Event generated       |  |  |  |  |  |  |  |  |  |  |  |  |  |  |  |  |  |  |  |  |  |  |  |  |  |  |  |

## 6.23.9.6 EVENTS\_END

Address offset: 0x104

The SAADC has filled up the result buffer

| Bit number       | 31 30 29 28 27 26 25 24 23 22 21 20 19 18 17 16 15 14 13 12 11 10 9 8 7 6 5 4 3 2 1 0 |              |       |   |  |  |  |  |  |  |  |  |  |  |  |  |  |  |  |  |  |  |  |  |  |  |  |  |  |  |  |
|------------------|---|--------------|-------|---|--|--|--|--|--|--|--|--|--|--|--|--|--|--|--|--|--|--|--|--|--|--|--|--|--|--|--|
| ID               | A   |              |       |   |  |  |  |  |  |  |  |  |  |  |  |  |  |  |  |  |  |  |  |  |  |  |  |  |  |  |  |
| Reset 0x00000000 | 0             |              |       |   |  |  |  |  |  |  |  |  |  |  |  |  |  |  |  |  |  |  |  |  |  |  |  |  |  |  |  |
| ID               | Acce Field  | Value ID     | Value | Description                               |  |  |  |  |  |  |  |  |  |  |  |  |  |  |  |  |  |  |  |  |  |  |  |  |  |  |  |
| A                | RW EVENTS_END   |              |       | The SAADC has filled up the result buffer |  |  |  |  |  |  |  |  |  |  |  |  |  |  |  |  |  |  |  |  |  |  |  |  |  |  |  |
|                  |   | NotGenerated | 0     | Event not generated                       |  |  |  |  |  |  |  |  |  |  |  |  |  |  |  |  |  |  |  |  |  |  |  |  |  |  |  |
|                  |   | Generated    | 1     | Event generated                           |  |  |  |  |  |  |  |  |  |  |  |  |  |  |  |  |  |  |  |  |  |  |  |  |  |  |  |

## 6.23.9.7 EVENTS\_DONE

Address offset: 0x108

A conversion task has been completed. Depending on the configuration, multiple conversions might be needed for a result to be transferred to RAM.

| Bit number       | 31 30 29 28 27 26 25 24 23 22 21 20 19 18 17 16 15 14 13 12 11 10 9 8 7 6 5 4 3 2 1 0 |              |       |   |  |  |  |  |  |  |  |  |  |  |  |  |  |  |  |  |  |  |  |  |  |  |  |  |  |  |  |
|------------------|---|--------------|-------|---|--|--|--|--|--|--|--|--|--|--|--|--|--|--|--|--|--|--|--|--|--|--|--|--|--|--|--|
| ID               | A   |              |       |   |  |  |  |  |  |  |  |  |  |  |  |  |  |  |  |  |  |  |  |  |  |  |  |  |  |  |  |
| Reset 0x00000000 | 0             |              |       |   |  |  |  |  |  |  |  |  |  |  |  |  |  |  |  |  |  |  |  |  |  |  |  |  |  |  |  |
| ID               | Acce Field  | Value ID     | Value | Description   |  |  |  |  |  |  |  |  |  |  |  |  |  |  |  |  |  |  |  |  |  |  |  |  |  |  |  |
| A                | RW EVENTS_DONE  |              |       | A conversion task has been completed. Depending on the configuration, multiple conversions might be needed for a result to be transferred to RAM. |  |  |  |  |  |  |  |  |  |  |  |  |  |  |  |  |  |  |  |  |  |  |  |  |  |  |  |
|                  |   | NotGenerated | 0     | Event not generated   |  |  |  |  |  |  |  |  |  |  |  |  |  |  |  |  |  |  |  |  |  |  |  |  |  |  |  |
|                  |   | Generated    | 1     | Event generated   |  |  |  |  |  |  |  |  |  |  |  |  |  |  |  |  |  |  |  |  |  |  |  |  |  |  |  |

### 6.23.9.8 EVENTS\_RESULTDONE

Address offset: 0x10C

Result ready for transfer to RAM

| Bit number              | 31 30 29 28 27 26 25 24 23 22 21 20 19 18 17 16 15 14 13 12 11 10 9 8 7 6 5 4 3 2 1 0 |                   |       |                                  |  |  |  |  |  |  |  |  |  |  |  |  |  |  |  |  |  |  |  |  |  |  |  |  |  |  |  |
|-------------------------|---|-------------------|-------|----------------------------------|--|--|--|--|--|--|--|--|--|--|--|--|--|--|--|--|--|--|--|--|--|--|--|--|--|--|--|
| ID                      | A   |                   |       |                                  |  |  |  |  |  |  |  |  |  |  |  |  |  |  |  |  |  |  |  |  |  |  |  |  |  |  |  |
| <b>Reset 0x00000000</b> | <b>0 0</b>              |                   |       |                                  |  |  |  |  |  |  |  |  |  |  |  |  |  |  |  |  |  |  |  |  |  |  |  |  |  |  |  |
| ID                      | Acce Field  | Value ID          | Value | Description                      |  |  |  |  |  |  |  |  |  |  |  |  |  |  |  |  |  |  |  |  |  |  |  |  |  |  |  |
| A                       | RW  | EVENTS_RESULTDONE |       | Result ready for transfer to RAM |  |  |  |  |  |  |  |  |  |  |  |  |  |  |  |  |  |  |  |  |  |  |  |  |  |  |  |
|                         |   | NotGenerated      | 0     | Event not generated              |  |  |  |  |  |  |  |  |  |  |  |  |  |  |  |  |  |  |  |  |  |  |  |  |  |  |  |
|                         |   | Generated         | 1     | Event generated                  |  |  |  |  |  |  |  |  |  |  |  |  |  |  |  |  |  |  |  |  |  |  |  |  |  |  |  |

### 6.23.9.9 EVENTS\_CALIBRATEDONE

Address offset: 0x110

Calibration is complete

| Bit number              | 31 30 29 28 27 26 25 24 23 22 21 20 19 18 17 16 15 14 13 12 11 10 9 8 7 6 5 4 3 2 1 0 |                      |       |                         |  |  |  |  |  |  |  |  |  |  |  |  |  |  |  |  |  |  |  |  |  |  |  |  |  |  |  |
|-------------------------|---|----------------------|-------|-------------------------|--|--|--|--|--|--|--|--|--|--|--|--|--|--|--|--|--|--|--|--|--|--|--|--|--|--|--|
| ID                      | A   |                      |       |                         |  |  |  |  |  |  |  |  |  |  |  |  |  |  |  |  |  |  |  |  |  |  |  |  |  |  |  |
| <b>Reset 0x00000000</b> | <b>0 0</b>              |                      |       |                         |  |  |  |  |  |  |  |  |  |  |  |  |  |  |  |  |  |  |  |  |  |  |  |  |  |  |  |
| ID                      | Acce Field  | Value ID             | Value | Description             |  |  |  |  |  |  |  |  |  |  |  |  |  |  |  |  |  |  |  |  |  |  |  |  |  |  |  |
| A                       | RW  | EVENTS_CALIBRATEDONE |       | Calibration is complete |  |  |  |  |  |  |  |  |  |  |  |  |  |  |  |  |  |  |  |  |  |  |  |  |  |  |  |
|                         |   | NotGenerated         | 0     | Event not generated     |  |  |  |  |  |  |  |  |  |  |  |  |  |  |  |  |  |  |  |  |  |  |  |  |  |  |  |
|                         |   | Generated            | 1     | Event generated         |  |  |  |  |  |  |  |  |  |  |  |  |  |  |  |  |  |  |  |  |  |  |  |  |  |  |  |

### 6.23.9.10 EVENTS\_STOPPED

Address offset: 0x114

The SAADC has stopped

| Bit number              | 31 30 29 28 27 26 25 24 23 22 21 20 19 18 17 16 15 14 13 12 11 10 9 8 7 6 5 4 3 2 1 0 |                |       |                       |  |  |  |  |  |  |  |  |  |  |  |  |  |  |  |  |  |  |  |  |  |  |  |  |  |  |  |
|-------------------------|---|----------------|-------|-----------------------|--|--|--|--|--|--|--|--|--|--|--|--|--|--|--|--|--|--|--|--|--|--|--|--|--|--|--|
| ID                      | A   |                |       |                       |  |  |  |  |  |  |  |  |  |  |  |  |  |  |  |  |  |  |  |  |  |  |  |  |  |  |  |
| <b>Reset 0x00000000</b> | <b>0 0</b>              |                |       |                       |  |  |  |  |  |  |  |  |  |  |  |  |  |  |  |  |  |  |  |  |  |  |  |  |  |  |  |
| ID                      | Acce Field  | Value ID       | Value | Description           |  |  |  |  |  |  |  |  |  |  |  |  |  |  |  |  |  |  |  |  |  |  |  |  |  |  |  |
| A                       | RW  | EVENTS_STOPPED |       | The SAADC has stopped |  |  |  |  |  |  |  |  |  |  |  |  |  |  |  |  |  |  |  |  |  |  |  |  |  |  |  |
|                         |   | NotGenerated   | 0     | Event not generated   |  |  |  |  |  |  |  |  |  |  |  |  |  |  |  |  |  |  |  |  |  |  |  |  |  |  |  |
|                         |   | Generated      | 1     | Event generated       |  |  |  |  |  |  |  |  |  |  |  |  |  |  |  |  |  |  |  |  |  |  |  |  |  |  |  |

### 6.23.9.11 EVENTS\_CH[n].LIMITH (n=0..7)

Address offset: 0x118 + (n × 0x8)

Last result is equal or above CH[n].LIMIT.HIGH

| Bit number       | 31  | 30           | 29    | 28   | 27 | 26 | 25 | 24 | 23 | 22 | 21 | 20 | 19 | 18 | 17 | 16 | 15 | 14 | 13 | 12 | 11 | 10 | 9 | 8 | 7 | 6 | 5 | 4 | 3 | 2 | 1 | 0 |
|------------------|---|--------------|-------|--|----|----|----|----|----|----|----|----|----|----|----|----|----|----|----|----|----|----|---|---|---|---|---|---|---|---|---|---|
| ID               |   |              |       |  |    |    |    |    |    |    |    |    |    |    |    |    |    |    |    |    |    |    |   |   |   |   |   |   |   |   |   | A |
| Reset 0x00000000 | 0 |              |       |  |    |    |    |    |    |    |    |    |    |    |    |    |    |    |    |    |    |    |   |   |   |   |   |   |   |   |   |   |
| ID               | Acce Field  | Value ID     | Value | Description                                    |    |    |    |    |    |    |    |    |    |    |    |    |    |    |    |    |    |    |   |   |   |   |   |   |   |   |   |   |
| A                | RW LIMITH   |              |       | Last result is equal or above CH[n].LIMIT.HIGH |    |    |    |    |    |    |    |    |    |    |    |    |    |    |    |    |    |    |   |   |   |   |   |   |   |   |   |   |
|                  |   | NotGenerated | 0     | Event not generated                            |    |    |    |    |    |    |    |    |    |    |    |    |    |    |    |    |    |    |   |   |   |   |   |   |   |   |   |   |
|                  |   | Generated    | 1     | Event generated                                |    |    |    |    |    |    |    |    |    |    |    |    |    |    |    |    |    |    |   |   |   |   |   |   |   |   |   |   |

### 6.23.9.12 EVENTS\_CH[n].LIMITL (n=0..7)

Address offset: 0x11C + (n × 0x8)

Last result is equal or below CH[n].LIMIT.LOW

| Bit number       | 31  | 30           | 29    | 28  | 27 | 26 | 25 | 24 | 23 | 22 | 21 | 20 | 19 | 18 | 17 | 16 | 15 | 14 | 13 | 12 | 11 | 10 | 9 | 8 | 7 | 6 | 5 | 4 | 3 | 2 | 1 | 0 |
|------------------|---|--------------|-------|---|----|----|----|----|----|----|----|----|----|----|----|----|----|----|----|----|----|----|---|---|---|---|---|---|---|---|---|---|
| ID               |   |              |       |   |    |    |    |    |    |    |    |    |    |    |    |    |    |    |    |    |    |    |   |   |   |   |   |   |   |   |   | A |
| Reset 0x00000000 | 0 |              |       |   |    |    |    |    |    |    |    |    |    |    |    |    |    |    |    |    |    |    |   |   |   |   |   |   |   |   |   |   |
| ID               | Acce Field  | Value ID     | Value | Description                                   |    |    |    |    |    |    |    |    |    |    |    |    |    |    |    |    |    |    |   |   |   |   |   |   |   |   |   |   |
| A                | RW LIMITL   |              |       | Last result is equal or below CH[n].LIMIT.LOW |    |    |    |    |    |    |    |    |    |    |    |    |    |    |    |    |    |    |   |   |   |   |   |   |   |   |   |   |
|                  |   | NotGenerated | 0     | Event not generated                           |    |    |    |    |    |    |    |    |    |    |    |    |    |    |    |    |    |    |   |   |   |   |   |   |   |   |   |   |
|                  |   | Generated    | 1     | Event generated                               |    |    |    |    |    |    |    |    |    |    |    |    |    |    |    |    |    |    |   |   |   |   |   |   |   |   |   |   |

### 6.23.9.13 INTEN

Address offset: 0x300

Enable or disable interrupt

| Bit number       | 31  | 30       | 29    | 28  | 27 | 26 | 25 | 24 | 23 | 22 | 21 | 20 | 19 | 18 | 17 | 16 | 15 | 14 | 13 | 12 | 11 | 10 | 9 | 8 | 7 | 6 | 5 | 4 | 3 | 2 | 1 | 0 |
|------------------|---|----------|-------|---|----|----|----|----|----|----|----|----|----|----|----|----|----|----|----|----|----|----|---|---|---|---|---|---|---|---|---|---|
| ID               |   |          |       |   |    |    |    |    |    |    | V  | U  | T  | S  | R  | Q  | P  | O  | N  | M  | L  | K  | J | I | H | G | F | E | D | C | B | A |
| Reset 0x00000000 | 0 |          |       |   |    |    |    |    |    |    |    |    |    |    |    |    |    |    |    |    |    |    |   |   |   |   |   |   |   |   |   |   |
| ID               | Acce Field  | Value ID | Value | Description   |    |    |    |    |    |    |    |    |    |    |    |    |    |    |    |    |    |    |   |   |   |   |   |   |   |   |   |   |
| A                | RW STARTED  |          |       | Enable or disable interrupt for event <a href="#">STARTED</a>       |    |    |    |    |    |    |    |    |    |    |    |    |    |    |    |    |    |    |   |   |   |   |   |   |   |   |   |   |
|                  |   | Disabled | 0     | Disable   |    |    |    |    |    |    |    |    |    |    |    |    |    |    |    |    |    |    |   |   |   |   |   |   |   |   |   |   |
|                  |   | Enabled  | 1     | Enable  |    |    |    |    |    |    |    |    |    |    |    |    |    |    |    |    |    |    |   |   |   |   |   |   |   |   |   |   |
| B                | RW END  |          |       | Enable or disable interrupt for event <a href="#">END</a>           |    |    |    |    |    |    |    |    |    |    |    |    |    |    |    |    |    |    |   |   |   |   |   |   |   |   |   |   |
|                  |   | Disabled | 0     | Disable   |    |    |    |    |    |    |    |    |    |    |    |    |    |    |    |    |    |    |   |   |   |   |   |   |   |   |   |   |
|                  |   | Enabled  | 1     | Enable  |    |    |    |    |    |    |    |    |    |    |    |    |    |    |    |    |    |    |   |   |   |   |   |   |   |   |   |   |
| C                | RW DONE   |          |       | Enable or disable interrupt for event <a href="#">DONE</a>          |    |    |    |    |    |    |    |    |    |    |    |    |    |    |    |    |    |    |   |   |   |   |   |   |   |   |   |   |
|                  |   | Disabled | 0     | Disable   |    |    |    |    |    |    |    |    |    |    |    |    |    |    |    |    |    |    |   |   |   |   |   |   |   |   |   |   |
|                  |   | Enabled  | 1     | Enable  |    |    |    |    |    |    |    |    |    |    |    |    |    |    |    |    |    |    |   |   |   |   |   |   |   |   |   |   |
| D                | RW RESULTDONE   |          |       | Enable or disable interrupt for event <a href="#">RESULTDONE</a>    |    |    |    |    |    |    |    |    |    |    |    |    |    |    |    |    |    |    |   |   |   |   |   |   |   |   |   |   |
|                  |   | Disabled | 0     | Disable   |    |    |    |    |    |    |    |    |    |    |    |    |    |    |    |    |    |    |   |   |   |   |   |   |   |   |   |   |
|                  |   | Enabled  | 1     | Enable  |    |    |    |    |    |    |    |    |    |    |    |    |    |    |    |    |    |    |   |   |   |   |   |   |   |   |   |   |
| E                | RW CALIBRATEDONE  |          |       | Enable or disable interrupt for event <a href="#">CALIBRATEDONE</a> |    |    |    |    |    |    |    |    |    |    |    |    |    |    |    |    |    |    |   |   |   |   |   |   |   |   |   |   |
|                  |   | Disabled | 0     | Disable   |    |    |    |    |    |    |    |    |    |    |    |    |    |    |    |    |    |    |   |   |   |   |   |   |   |   |   |   |
|                  |   | Enabled  | 1     | Enable  |    |    |    |    |    |    |    |    |    |    |    |    |    |    |    |    |    |    |   |   |   |   |   |   |   |   |   |   |
| F                | RW STOPPED  |          |       | Enable or disable interrupt for event <a href="#">STOPPED</a>       |    |    |    |    |    |    |    |    |    |    |    |    |    |    |    |    |    |    |   |   |   |   |   |   |   |   |   |   |
|                  |   | Disabled | 0     | Disable   |    |    |    |    |    |    |    |    |    |    |    |    |    |    |    |    |    |    |   |   |   |   |   |   |   |   |   |   |
|                  |   | Enabled  | 1     | Enable  |    |    |    |    |    |    |    |    |    |    |    |    |    |    |    |    |    |    |   |   |   |   |   |   |   |   |   |   |
| G                | RW CHOLIMITH  |          |       | Enable or disable interrupt for event <a href="#">CHOLIMITH</a>     |    |    |    |    |    |    |    |    |    |    |    |    |    |    |    |    |    |    |   |   |   |   |   |   |   |   |   |   |
|                  |   | Disabled | 0     | Disable   |    |    |    |    |    |    |    |    |    |    |    |    |    |    |    |    |    |    |   |   |   |   |   |   |   |   |   |   |
|                  |   | Enabled  | 1     | Enable  |    |    |    |    |    |    |    |    |    |    |    |    |    |    |    |    |    |    |   |   |   |   |   |   |   |   |   |   |
| H                | RW CHOLIMITL  |          |       | Enable or disable interrupt for event <a href="#">CHOLIMITL</a>     |    |    |    |    |    |    |    |    |    |    |    |    |    |    |    |    |    |    |   |   |   |   |   |   |   |   |   |   |
|                  |   | Disabled | 0     | Disable   |    |    |    |    |    |    |    |    |    |    |    |    |    |    |    |    |    |    |   |   |   |   |   |   |   |   |   |   |

| Bit number       |              | 31 30 29 28 27 26 25 24 23 22 21 20 19 18 17 16 15 14 13 12 11 10 9 8 7 6 5 4 3 2 1 0 |       |             |  |  |  |  |  |  |  |  |  |  |  |  |  |  |  |  |  |  |  |  |  |  |  |  |  |
|------------------|--------------|---|-------|-------------|--|--|--|--|--|--|--|--|--|--|--|--|--|--|--|--|--|--|--|--|--|--|--|--|--|
| ID               |              | V U T S R Q P O N M L K J I H G F E D C B A   |       |             |  |  |  |  |  |  |  |  |  |  |  |  |  |  |  |  |  |  |  |  |  |  |  |  |  |
| Reset 0x00000000 |              | 0                       |       |             |  |  |  |  |  |  |  |  |  |  |  |  |  |  |  |  |  |  |  |  |  |  |  |  |  |
| ID               | Acce Field   | Value ID  | Value | Description |  |  |  |  |  |  |  |  |  |  |  |  |  |  |  |  |  |  |  |  |  |  |  |  |  |
| I                | RW CH1LIMITH | Enabled   | 1     | Enable      |  |  |  |  |  |  |  |  |  |  |  |  |  |  |  |  |  |  |  |  |  |  |  |  |  |
|                  |              | Disabled  | 0     | Disable     |  |  |  |  |  |  |  |  |  |  |  |  |  |  |  |  |  |  |  |  |  |  |  |  |  |
|                  |              | Enabled   | 1     | Enable      |  |  |  |  |  |  |  |  |  |  |  |  |  |  |  |  |  |  |  |  |  |  |  |  |  |
| J                | RW CH1LIMITL | Disabled  | 0     | Disable     |  |  |  |  |  |  |  |  |  |  |  |  |  |  |  |  |  |  |  |  |  |  |  |  |  |
|                  |              | Enabled   | 1     | Enable      |  |  |  |  |  |  |  |  |  |  |  |  |  |  |  |  |  |  |  |  |  |  |  |  |  |
|                  |              | Enabled   | 1     | Enable      |  |  |  |  |  |  |  |  |  |  |  |  |  |  |  |  |  |  |  |  |  |  |  |  |  |
| K                | RW CH2LIMITH | Disabled  | 0     | Disable     |  |  |  |  |  |  |  |  |  |  |  |  |  |  |  |  |  |  |  |  |  |  |  |  |  |
|                  |              | Enabled   | 1     | Enable      |  |  |  |  |  |  |  |  |  |  |  |  |  |  |  |  |  |  |  |  |  |  |  |  |  |
|                  |              | Enabled   | 1     | Enable      |  |  |  |  |  |  |  |  |  |  |  |  |  |  |  |  |  |  |  |  |  |  |  |  |  |
| L                | RW CH2LIMITL | Disabled  | 0     | Disable     |  |  |  |  |  |  |  |  |  |  |  |  |  |  |  |  |  |  |  |  |  |  |  |  |  |
|                  |              | Enabled   | 1     | Enable      |  |  |  |  |  |  |  |  |  |  |  |  |  |  |  |  |  |  |  |  |  |  |  |  |  |
|                  |              | Enabled   | 1     | Enable      |  |  |  |  |  |  |  |  |  |  |  |  |  |  |  |  |  |  |  |  |  |  |  |  |  |
| M                | RW CH3LIMITH | Disabled  | 0     | Disable     |  |  |  |  |  |  |  |  |  |  |  |  |  |  |  |  |  |  |  |  |  |  |  |  |  |
|                  |              | Enabled   | 1     | Enable      |  |  |  |  |  |  |  |  |  |  |  |  |  |  |  |  |  |  |  |  |  |  |  |  |  |
|                  |              | Enabled   | 1     | Enable      |  |  |  |  |  |  |  |  |  |  |  |  |  |  |  |  |  |  |  |  |  |  |  |  |  |
| N                | RW CH3LIMITL | Disabled  | 0     | Disable     |  |  |  |  |  |  |  |  |  |  |  |  |  |  |  |  |  |  |  |  |  |  |  |  |  |
|                  |              | Enabled   | 1     | Enable      |  |  |  |  |  |  |  |  |  |  |  |  |  |  |  |  |  |  |  |  |  |  |  |  |  |
|                  |              | Enabled   | 1     | Enable      |  |  |  |  |  |  |  |  |  |  |  |  |  |  |  |  |  |  |  |  |  |  |  |  |  |
| O                | RW CH4LIMITH | Disabled  | 0     | Disable     |  |  |  |  |  |  |  |  |  |  |  |  |  |  |  |  |  |  |  |  |  |  |  |  |  |
|                  |              | Enabled   | 1     | Enable      |  |  |  |  |  |  |  |  |  |  |  |  |  |  |  |  |  |  |  |  |  |  |  |  |  |
|                  |              | Enabled   | 1     | Enable      |  |  |  |  |  |  |  |  |  |  |  |  |  |  |  |  |  |  |  |  |  |  |  |  |  |
| P                | RW CH4LIMITL | Disabled  | 0     | Disable     |  |  |  |  |  |  |  |  |  |  |  |  |  |  |  |  |  |  |  |  |  |  |  |  |  |
|                  |              | Enabled   | 1     | Enable      |  |  |  |  |  |  |  |  |  |  |  |  |  |  |  |  |  |  |  |  |  |  |  |  |  |
|                  |              | Enabled   | 1     | Enable      |  |  |  |  |  |  |  |  |  |  |  |  |  |  |  |  |  |  |  |  |  |  |  |  |  |
| Q                | RW CH5LIMITH | Disabled  | 0     | Disable     |  |  |  |  |  |  |  |  |  |  |  |  |  |  |  |  |  |  |  |  |  |  |  |  |  |
|                  |              | Enabled   | 1     | Enable      |  |  |  |  |  |  |  |  |  |  |  |  |  |  |  |  |  |  |  |  |  |  |  |  |  |
|                  |              | Enabled   | 1     | Enable      |  |  |  |  |  |  |  |  |  |  |  |  |  |  |  |  |  |  |  |  |  |  |  |  |  |
| R                | RW CH5LIMITL | Disabled  | 0     | Disable     |  |  |  |  |  |  |  |  |  |  |  |  |  |  |  |  |  |  |  |  |  |  |  |  |  |
|                  |              | Enabled   | 1     | Enable      |  |  |  |  |  |  |  |  |  |  |  |  |  |  |  |  |  |  |  |  |  |  |  |  |  |
|                  |              | Enabled   | 1     | Enable      |  |  |  |  |  |  |  |  |  |  |  |  |  |  |  |  |  |  |  |  |  |  |  |  |  |
| S                | RW CH6LIMITH | Disabled  | 0     | Disable     |  |  |  |  |  |  |  |  |  |  |  |  |  |  |  |  |  |  |  |  |  |  |  |  |  |
|                  |              | Enabled   | 1     | Enable      |  |  |  |  |  |  |  |  |  |  |  |  |  |  |  |  |  |  |  |  |  |  |  |  |  |
|                  |              | Enabled   | 1     | Enable      |  |  |  |  |  |  |  |  |  |  |  |  |  |  |  |  |  |  |  |  |  |  |  |  |  |
| T                | RW CH6LIMITL | Disabled  | 0     | Disable     |  |  |  |  |  |  |  |  |  |  |  |  |  |  |  |  |  |  |  |  |  |  |  |  |  |
|                  |              | Enabled   | 1     | Enable      |  |  |  |  |  |  |  |  |  |  |  |  |  |  |  |  |  |  |  |  |  |  |  |  |  |
|                  |              | Enabled   | 1     | Enable      |  |  |  |  |  |  |  |  |  |  |  |  |  |  |  |  |  |  |  |  |  |  |  |  |  |
| U                | RW CH7LIMITH | Disabled  | 0     | Disable     |  |  |  |  |  |  |  |  |  |  |  |  |  |  |  |  |  |  |  |  |  |  |  |  |  |
|                  |              | Enabled   | 1     | Enable      |  |  |  |  |  |  |  |  |  |  |  |  |  |  |  |  |  |  |  |  |  |  |  |  |  |
|                  |              | Enabled   | 1     | Enable      |  |  |  |  |  |  |  |  |  |  |  |  |  |  |  |  |  |  |  |  |  |  |  |  |  |
| V                | RW CH7LIMITL | Disabled  | 0     | Disable     |  |  |  |  |  |  |  |  |  |  |  |  |  |  |  |  |  |  |  |  |  |  |  |  |  |
|                  |              | Enabled   | 1     | Enable      |  |  |  |  |  |  |  |  |  |  |  |  |  |  |  |  |  |  |  |  |  |  |  |  |  |
|                  |              | Enabled   | 1     | Enable      |  |  |  |  |  |  |  |  |  |  |  |  |  |  |  |  |  |  |  |  |  |  |  |  |  |

### 6.23.9.14 INTENSET

Address offset: 0x304

Enable interrupt

| Bit number       |                  | 31 30 29 28 27 26 25 24 23 22 21 20 19 18 17 16 15 14 13 12 11 10 9 8 7 6 5 4 3 2 1 0 |       |   |  |  |  |  |  |  |  |  |  |  |  |  |  |  |  |  |  |  |  |  |  |  |  |  |  |
|------------------|------------------|---|-------|---|--|--|--|--|--|--|--|--|--|--|--|--|--|--|--|--|--|--|--|--|--|--|--|--|--|
| ID               |                  | V U T S R Q P O N M L K J I H G F E D C B A   |       |   |  |  |  |  |  |  |  |  |  |  |  |  |  |  |  |  |  |  |  |  |  |  |  |  |  |
| Reset 0x00000000 |                  | 0                       |       |   |  |  |  |  |  |  |  |  |  |  |  |  |  |  |  |  |  |  |  |  |  |  |  |  |  |
| ID               | Acce Field       | Value ID  | Value | Description   |  |  |  |  |  |  |  |  |  |  |  |  |  |  |  |  |  |  |  |  |  |  |  |  |  |
| A                | RW STARTED       |   |       | Write '1' to enable interrupt for event <a href="#">STARTED</a>       |  |  |  |  |  |  |  |  |  |  |  |  |  |  |  |  |  |  |  |  |  |  |  |  |  |
|                  |                  | Set   | 1     | Enable  |  |  |  |  |  |  |  |  |  |  |  |  |  |  |  |  |  |  |  |  |  |  |  |  |  |
|                  |                  | Disabled  | 0     | Read: Disabled  |  |  |  |  |  |  |  |  |  |  |  |  |  |  |  |  |  |  |  |  |  |  |  |  |  |
|                  |                  | Enabled   | 1     | Read: Enabled   |  |  |  |  |  |  |  |  |  |  |  |  |  |  |  |  |  |  |  |  |  |  |  |  |  |
| B                | RW END           |   |       | Write '1' to enable interrupt for event <a href="#">END</a>           |  |  |  |  |  |  |  |  |  |  |  |  |  |  |  |  |  |  |  |  |  |  |  |  |  |
|                  |                  | Set   | 1     | Enable  |  |  |  |  |  |  |  |  |  |  |  |  |  |  |  |  |  |  |  |  |  |  |  |  |  |
|                  |                  | Disabled  | 0     | Read: Disabled  |  |  |  |  |  |  |  |  |  |  |  |  |  |  |  |  |  |  |  |  |  |  |  |  |  |
|                  |                  | Enabled   | 1     | Read: Enabled   |  |  |  |  |  |  |  |  |  |  |  |  |  |  |  |  |  |  |  |  |  |  |  |  |  |
| C                | RW DONE          |   |       | Write '1' to enable interrupt for event <a href="#">DONE</a>          |  |  |  |  |  |  |  |  |  |  |  |  |  |  |  |  |  |  |  |  |  |  |  |  |  |
|                  |                  | Set   | 1     | Enable  |  |  |  |  |  |  |  |  |  |  |  |  |  |  |  |  |  |  |  |  |  |  |  |  |  |
|                  |                  | Disabled  | 0     | Read: Disabled  |  |  |  |  |  |  |  |  |  |  |  |  |  |  |  |  |  |  |  |  |  |  |  |  |  |
|                  |                  | Enabled   | 1     | Read: Enabled   |  |  |  |  |  |  |  |  |  |  |  |  |  |  |  |  |  |  |  |  |  |  |  |  |  |
| D                | RW RESULTDONE    |   |       | Write '1' to enable interrupt for event <a href="#">RESULTDONE</a>    |  |  |  |  |  |  |  |  |  |  |  |  |  |  |  |  |  |  |  |  |  |  |  |  |  |
|                  |                  | Set   | 1     | Enable  |  |  |  |  |  |  |  |  |  |  |  |  |  |  |  |  |  |  |  |  |  |  |  |  |  |
|                  |                  | Disabled  | 0     | Read: Disabled  |  |  |  |  |  |  |  |  |  |  |  |  |  |  |  |  |  |  |  |  |  |  |  |  |  |
|                  |                  | Enabled   | 1     | Read: Enabled   |  |  |  |  |  |  |  |  |  |  |  |  |  |  |  |  |  |  |  |  |  |  |  |  |  |
| E                | RW CALIBRATEDONE |   |       | Write '1' to enable interrupt for event <a href="#">CALIBRATEDONE</a> |  |  |  |  |  |  |  |  |  |  |  |  |  |  |  |  |  |  |  |  |  |  |  |  |  |
|                  |                  | Set   | 1     | Enable  |  |  |  |  |  |  |  |  |  |  |  |  |  |  |  |  |  |  |  |  |  |  |  |  |  |
|                  |                  | Disabled  | 0     | Read: Disabled  |  |  |  |  |  |  |  |  |  |  |  |  |  |  |  |  |  |  |  |  |  |  |  |  |  |
|                  |                  | Enabled   | 1     | Read: Enabled   |  |  |  |  |  |  |  |  |  |  |  |  |  |  |  |  |  |  |  |  |  |  |  |  |  |
| F                | RW STOPPED       |   |       | Write '1' to enable interrupt for event <a href="#">STOPPED</a>       |  |  |  |  |  |  |  |  |  |  |  |  |  |  |  |  |  |  |  |  |  |  |  |  |  |
|                  |                  | Set   | 1     | Enable  |  |  |  |  |  |  |  |  |  |  |  |  |  |  |  |  |  |  |  |  |  |  |  |  |  |
|                  |                  | Disabled  | 0     | Read: Disabled  |  |  |  |  |  |  |  |  |  |  |  |  |  |  |  |  |  |  |  |  |  |  |  |  |  |
|                  |                  | Enabled   | 1     | Read: Enabled   |  |  |  |  |  |  |  |  |  |  |  |  |  |  |  |  |  |  |  |  |  |  |  |  |  |
| G                | RW CHOLIMITH     |   |       | Write '1' to enable interrupt for event <a href="#">CHOLIMITH</a>     |  |  |  |  |  |  |  |  |  |  |  |  |  |  |  |  |  |  |  |  |  |  |  |  |  |
|                  |                  | Set   | 1     | Enable  |  |  |  |  |  |  |  |  |  |  |  |  |  |  |  |  |  |  |  |  |  |  |  |  |  |
|                  |                  | Disabled  | 0     | Read: Disabled  |  |  |  |  |  |  |  |  |  |  |  |  |  |  |  |  |  |  |  |  |  |  |  |  |  |
|                  |                  | Enabled   | 1     | Read: Enabled   |  |  |  |  |  |  |  |  |  |  |  |  |  |  |  |  |  |  |  |  |  |  |  |  |  |
| H                | RW CHOLIMITL     |   |       | Write '1' to enable interrupt for event <a href="#">CHOLIMITL</a>     |  |  |  |  |  |  |  |  |  |  |  |  |  |  |  |  |  |  |  |  |  |  |  |  |  |
|                  |                  | Set   | 1     | Enable  |  |  |  |  |  |  |  |  |  |  |  |  |  |  |  |  |  |  |  |  |  |  |  |  |  |
|                  |                  | Disabled  | 0     | Read: Disabled  |  |  |  |  |  |  |  |  |  |  |  |  |  |  |  |  |  |  |  |  |  |  |  |  |  |
|                  |                  | Enabled   | 1     | Read: Enabled   |  |  |  |  |  |  |  |  |  |  |  |  |  |  |  |  |  |  |  |  |  |  |  |  |  |
| I                | RW CH1LIMITH     |   |       | Write '1' to enable interrupt for event <a href="#">CH1LIMITH</a>     |  |  |  |  |  |  |  |  |  |  |  |  |  |  |  |  |  |  |  |  |  |  |  |  |  |
|                  |                  | Set   | 1     | Enable  |  |  |  |  |  |  |  |  |  |  |  |  |  |  |  |  |  |  |  |  |  |  |  |  |  |
|                  |                  | Disabled  | 0     | Read: Disabled  |  |  |  |  |  |  |  |  |  |  |  |  |  |  |  |  |  |  |  |  |  |  |  |  |  |
|                  |                  | Enabled   | 1     | Read: Enabled   |  |  |  |  |  |  |  |  |  |  |  |  |  |  |  |  |  |  |  |  |  |  |  |  |  |
| J                | RW CH1LIMITL     |   |       | Write '1' to enable interrupt for event <a href="#">CH1LIMITL</a>     |  |  |  |  |  |  |  |  |  |  |  |  |  |  |  |  |  |  |  |  |  |  |  |  |  |
|                  |                  | Set   | 1     | Enable  |  |  |  |  |  |  |  |  |  |  |  |  |  |  |  |  |  |  |  |  |  |  |  |  |  |
|                  |                  | Disabled  | 0     | Read: Disabled  |  |  |  |  |  |  |  |  |  |  |  |  |  |  |  |  |  |  |  |  |  |  |  |  |  |
|                  |                  | Enabled   | 1     | Read: Enabled   |  |  |  |  |  |  |  |  |  |  |  |  |  |  |  |  |  |  |  |  |  |  |  |  |  |
| K                | RW CH2LIMITH     |   |       | Write '1' to enable interrupt for event <a href="#">CH2LIMITH</a>     |  |  |  |  |  |  |  |  |  |  |  |  |  |  |  |  |  |  |  |  |  |  |  |  |  |
|                  |                  | Set   | 1     | Enable  |  |  |  |  |  |  |  |  |  |  |  |  |  |  |  |  |  |  |  |  |  |  |  |  |  |
|                  |                  | Disabled  | 0     | Read: Disabled  |  |  |  |  |  |  |  |  |  |  |  |  |  |  |  |  |  |  |  |  |  |  |  |  |  |
|                  |                  | Enabled   | 1     | Read: Enabled   |  |  |  |  |  |  |  |  |  |  |  |  |  |  |  |  |  |  |  |  |  |  |  |  |  |
| L                | RW CH2LIMITL     |   |       | Write '1' to enable interrupt for event <a href="#">CH2LIMITL</a>     |  |  |  |  |  |  |  |  |  |  |  |  |  |  |  |  |  |  |  |  |  |  |  |  |  |
|                  |                  | Set   | 1     | Enable  |  |  |  |  |  |  |  |  |  |  |  |  |  |  |  |  |  |  |  |  |  |  |  |  |  |
|                  |                  | Disabled  | 0     | Read: Disabled  |  |  |  |  |  |  |  |  |  |  |  |  |  |  |  |  |  |  |  |  |  |  |  |  |  |
|                  |                  | Enabled   | 1     | Read: Enabled   |  |  |  |  |  |  |  |  |  |  |  |  |  |  |  |  |  |  |  |  |  |  |  |  |  |
| M                | RW CH3LIMITH     |   |       | Write '1' to enable interrupt for event <a href="#">CH3LIMITH</a>     |  |  |  |  |  |  |  |  |  |  |  |  |  |  |  |  |  |  |  |  |  |  |  |  |  |
|                  |                  | Set   | 1     | Enable  |  |  |  |  |  |  |  |  |  |  |  |  |  |  |  |  |  |  |  |  |  |  |  |  |  |

| Bit number       |              | 31 30 29 28 27 26 25 24 23 22 21 20 19 18 17 16 15 14 13 12 11 10 9 8 7 6 5 4 3 2 1 0 |       |   |  |  |  |  |  |  |  |  |  |  |  |  |  |  |  |  |  |  |  |  |  |  |  |  |  |  |  |  |  |
|------------------|--------------|---|-------|---|--|--|--|--|--|--|--|--|--|--|--|--|--|--|--|--|--|--|--|--|--|--|--|--|--|--|--|--|--|
| ID               |              | V U T S R Q P O N M L K J I H G F E D C B A   |       |   |  |  |  |  |  |  |  |  |  |  |  |  |  |  |  |  |  |  |  |  |  |  |  |  |  |  |  |  |  |
| Reset 0x00000000 |              | 0           |       |   |  |  |  |  |  |  |  |  |  |  |  |  |  |  |  |  |  |  |  |  |  |  |  |  |  |  |  |  |  |
| ID               | Acce Field   | Value ID  | Value | Description                                       |  |  |  |  |  |  |  |  |  |  |  |  |  |  |  |  |  |  |  |  |  |  |  |  |  |  |  |  |  |
|                  |              | Disabled  | 0     | Read: Disabled                                    |  |  |  |  |  |  |  |  |  |  |  |  |  |  |  |  |  |  |  |  |  |  |  |  |  |  |  |  |  |
|                  |              | Enabled   | 1     | Read: Enabled                                     |  |  |  |  |  |  |  |  |  |  |  |  |  |  |  |  |  |  |  |  |  |  |  |  |  |  |  |  |  |
| N                | RW CH3LIMITL |   |       | Write '1' to enable interrupt for event CH3LIMITL |  |  |  |  |  |  |  |  |  |  |  |  |  |  |  |  |  |  |  |  |  |  |  |  |  |  |  |  |  |
|                  |              | Set   | 1     | Enable  |  |  |  |  |  |  |  |  |  |  |  |  |  |  |  |  |  |  |  |  |  |  |  |  |  |  |  |  |  |
|                  |              | Disabled  | 0     | Read: Disabled                                    |  |  |  |  |  |  |  |  |  |  |  |  |  |  |  |  |  |  |  |  |  |  |  |  |  |  |  |  |  |
|                  |              | Enabled   | 1     | Read: Enabled                                     |  |  |  |  |  |  |  |  |  |  |  |  |  |  |  |  |  |  |  |  |  |  |  |  |  |  |  |  |  |
| O                | RW CH4LIMITH |   |       | Write '1' to enable interrupt for event CH4LIMITH |  |  |  |  |  |  |  |  |  |  |  |  |  |  |  |  |  |  |  |  |  |  |  |  |  |  |  |  |  |
|                  |              | Set   | 1     | Enable  |  |  |  |  |  |  |  |  |  |  |  |  |  |  |  |  |  |  |  |  |  |  |  |  |  |  |  |  |  |
|                  |              | Disabled  | 0     | Read: Disabled                                    |  |  |  |  |  |  |  |  |  |  |  |  |  |  |  |  |  |  |  |  |  |  |  |  |  |  |  |  |  |
|                  |              | Enabled   | 1     | Read: Enabled                                     |  |  |  |  |  |  |  |  |  |  |  |  |  |  |  |  |  |  |  |  |  |  |  |  |  |  |  |  |  |
| P                | RW CH4LIMITL |   |       | Write '1' to enable interrupt for event CH4LIMITL |  |  |  |  |  |  |  |  |  |  |  |  |  |  |  |  |  |  |  |  |  |  |  |  |  |  |  |  |  |
|                  |              | Set   | 1     | Enable  |  |  |  |  |  |  |  |  |  |  |  |  |  |  |  |  |  |  |  |  |  |  |  |  |  |  |  |  |  |
|                  |              | Disabled  | 0     | Read: Disabled                                    |  |  |  |  |  |  |  |  |  |  |  |  |  |  |  |  |  |  |  |  |  |  |  |  |  |  |  |  |  |
|                  |              | Enabled   | 1     | Read: Enabled                                     |  |  |  |  |  |  |  |  |  |  |  |  |  |  |  |  |  |  |  |  |  |  |  |  |  |  |  |  |  |
| Q                | RW CH5LIMITH |   |       | Write '1' to enable interrupt for event CH5LIMITH |  |  |  |  |  |  |  |  |  |  |  |  |  |  |  |  |  |  |  |  |  |  |  |  |  |  |  |  |  |
|                  |              | Set   | 1     | Enable  |  |  |  |  |  |  |  |  |  |  |  |  |  |  |  |  |  |  |  |  |  |  |  |  |  |  |  |  |  |
|                  |              | Disabled  | 0     | Read: Disabled                                    |  |  |  |  |  |  |  |  |  |  |  |  |  |  |  |  |  |  |  |  |  |  |  |  |  |  |  |  |  |
|                  |              | Enabled   | 1     | Read: Enabled                                     |  |  |  |  |  |  |  |  |  |  |  |  |  |  |  |  |  |  |  |  |  |  |  |  |  |  |  |  |  |
| R                | RW CH5LIMITL |   |       | Write '1' to enable interrupt for event CH5LIMITL |  |  |  |  |  |  |  |  |  |  |  |  |  |  |  |  |  |  |  |  |  |  |  |  |  |  |  |  |  |
|                  |              | Set   | 1     | Enable  |  |  |  |  |  |  |  |  |  |  |  |  |  |  |  |  |  |  |  |  |  |  |  |  |  |  |  |  |  |
|                  |              | Disabled  | 0     | Read: Disabled                                    |  |  |  |  |  |  |  |  |  |  |  |  |  |  |  |  |  |  |  |  |  |  |  |  |  |  |  |  |  |
|                  |              | Enabled   | 1     | Read: Enabled                                     |  |  |  |  |  |  |  |  |  |  |  |  |  |  |  |  |  |  |  |  |  |  |  |  |  |  |  |  |  |
| S                | RW CH6LIMITH |   |       | Write '1' to enable interrupt for event CH6LIMITH |  |  |  |  |  |  |  |  |  |  |  |  |  |  |  |  |  |  |  |  |  |  |  |  |  |  |  |  |  |
|                  |              | Set   | 1     | Enable  |  |  |  |  |  |  |  |  |  |  |  |  |  |  |  |  |  |  |  |  |  |  |  |  |  |  |  |  |  |
|                  |              | Disabled  | 0     | Read: Disabled                                    |  |  |  |  |  |  |  |  |  |  |  |  |  |  |  |  |  |  |  |  |  |  |  |  |  |  |  |  |  |
|                  |              | Enabled   | 1     | Read: Enabled                                     |  |  |  |  |  |  |  |  |  |  |  |  |  |  |  |  |  |  |  |  |  |  |  |  |  |  |  |  |  |
| T                | RW CH6LIMITL |   |       | Write '1' to enable interrupt for event CH6LIMITL |  |  |  |  |  |  |  |  |  |  |  |  |  |  |  |  |  |  |  |  |  |  |  |  |  |  |  |  |  |
|                  |              | Set   | 1     | Enable  |  |  |  |  |  |  |  |  |  |  |  |  |  |  |  |  |  |  |  |  |  |  |  |  |  |  |  |  |  |
|                  |              | Disabled  | 0     | Read: Disabled                                    |  |  |  |  |  |  |  |  |  |  |  |  |  |  |  |  |  |  |  |  |  |  |  |  |  |  |  |  |  |
|                  |              | Enabled   | 1     | Read: Enabled                                     |  |  |  |  |  |  |  |  |  |  |  |  |  |  |  |  |  |  |  |  |  |  |  |  |  |  |  |  |  |
| U                | RW CH7LIMITH |   |       | Write '1' to enable interrupt for event CH7LIMITH |  |  |  |  |  |  |  |  |  |  |  |  |  |  |  |  |  |  |  |  |  |  |  |  |  |  |  |  |  |
|                  |              | Set   | 1     | Enable  |  |  |  |  |  |  |  |  |  |  |  |  |  |  |  |  |  |  |  |  |  |  |  |  |  |  |  |  |  |
|                  |              | Disabled  | 0     | Read: Disabled                                    |  |  |  |  |  |  |  |  |  |  |  |  |  |  |  |  |  |  |  |  |  |  |  |  |  |  |  |  |  |
|                  |              | Enabled   | 1     | Read: Enabled                                     |  |  |  |  |  |  |  |  |  |  |  |  |  |  |  |  |  |  |  |  |  |  |  |  |  |  |  |  |  |
| V                | RW CH7LIMITL |   |       | Write '1' to enable interrupt for event CH7LIMITL |  |  |  |  |  |  |  |  |  |  |  |  |  |  |  |  |  |  |  |  |  |  |  |  |  |  |  |  |  |
|                  |              | Set   | 1     | Enable  |  |  |  |  |  |  |  |  |  |  |  |  |  |  |  |  |  |  |  |  |  |  |  |  |  |  |  |  |  |
|                  |              | Disabled  | 0     | Read: Disabled                                    |  |  |  |  |  |  |  |  |  |  |  |  |  |  |  |  |  |  |  |  |  |  |  |  |  |  |  |  |  |
|                  |              | Enabled   | 1     | Read: Enabled                                     |  |  |  |  |  |  |  |  |  |  |  |  |  |  |  |  |  |  |  |  |  |  |  |  |  |  |  |  |  |

### 6.23.9.15 INTENCLR

Address offset: 0x308

Disable interrupt

| Bit number       |            | 31 30 29 28 27 26 25 24 23 22 21 20 19 18 17 16 15 14 13 12 11 10 9 8 7 6 5 4 3 2 1 0 |       |  |  |  |  |  |  |  |  |  |  |  |  |  |  |  |  |  |  |  |  |  |  |  |  |  |  |  |  |  |  |
|------------------|------------|---|-------|--|--|--|--|--|--|--|--|--|--|--|--|--|--|--|--|--|--|--|--|--|--|--|--|--|--|--|--|--|--|
| ID               |            | V U T S R Q P O N M L K J I H G F E D C B A   |       |  |  |  |  |  |  |  |  |  |  |  |  |  |  |  |  |  |  |  |  |  |  |  |  |  |  |  |  |  |  |
| Reset 0x00000000 |            | 0               |       |  |  |  |  |  |  |  |  |  |  |  |  |  |  |  |  |  |  |  |  |  |  |  |  |  |  |  |  |  |  |
| ID               | Acce Field | Value ID  | Value | Description                                      |  |  |  |  |  |  |  |  |  |  |  |  |  |  |  |  |  |  |  |  |  |  |  |  |  |  |  |  |  |
| A                | RW STARTED |   |       | Write '1' to disable interrupt for event STARTED |  |  |  |  |  |  |  |  |  |  |  |  |  |  |  |  |  |  |  |  |  |  |  |  |  |  |  |  |  |

| Bit number       |                         | 31 30 29 28 27 26 25 24 23 22 21 20 19 18 17 16 15 14 13 12 11 10 9 8 7 6 5 4 3 2 1 0 |       |   |  |  |  |  |  |  |  |  |  |  |  |  |  |  |  |  |  |  |  |  |  |  |  |  |  |
|------------------|-------------------------|---|-------|---|--|--|--|--|--|--|--|--|--|--|--|--|--|--|--|--|--|--|--|--|--|--|--|--|--|
| ID               |                         | V U T S R Q P O N M L K J I H G F E D C B A   |       |   |  |  |  |  |  |  |  |  |  |  |  |  |  |  |  |  |  |  |  |  |  |  |  |  |  |
| Reset 0x00000000 |                         | 0                       |       |   |  |  |  |  |  |  |  |  |  |  |  |  |  |  |  |  |  |  |  |  |  |  |  |  |  |
| ID               | Acce Field              | Value ID  | Value | Description   |  |  |  |  |  |  |  |  |  |  |  |  |  |  |  |  |  |  |  |  |  |  |  |  |  |
|                  |                         | Clear   | 1     | Disable   |  |  |  |  |  |  |  |  |  |  |  |  |  |  |  |  |  |  |  |  |  |  |  |  |  |
|                  |                         | Disabled  | 0     | Read: Disabled  |  |  |  |  |  |  |  |  |  |  |  |  |  |  |  |  |  |  |  |  |  |  |  |  |  |
|                  |                         | Enabled   | 1     | Read: Enabled   |  |  |  |  |  |  |  |  |  |  |  |  |  |  |  |  |  |  |  |  |  |  |  |  |  |
| <b>B</b>         | <b>RW END</b>           |   |       | Write '1' to disable interrupt for event <b>END</b>           |  |  |  |  |  |  |  |  |  |  |  |  |  |  |  |  |  |  |  |  |  |  |  |  |  |
|                  |                         | Clear   | 1     | Disable   |  |  |  |  |  |  |  |  |  |  |  |  |  |  |  |  |  |  |  |  |  |  |  |  |  |
|                  |                         | Disabled  | 0     | Read: Disabled  |  |  |  |  |  |  |  |  |  |  |  |  |  |  |  |  |  |  |  |  |  |  |  |  |  |
|                  |                         | Enabled   | 1     | Read: Enabled   |  |  |  |  |  |  |  |  |  |  |  |  |  |  |  |  |  |  |  |  |  |  |  |  |  |
| <b>C</b>         | <b>RW DONE</b>          |   |       | Write '1' to disable interrupt for event <b>DONE</b>          |  |  |  |  |  |  |  |  |  |  |  |  |  |  |  |  |  |  |  |  |  |  |  |  |  |
|                  |                         | Clear   | 1     | Disable   |  |  |  |  |  |  |  |  |  |  |  |  |  |  |  |  |  |  |  |  |  |  |  |  |  |
|                  |                         | Disabled  | 0     | Read: Disabled  |  |  |  |  |  |  |  |  |  |  |  |  |  |  |  |  |  |  |  |  |  |  |  |  |  |
|                  |                         | Enabled   | 1     | Read: Enabled   |  |  |  |  |  |  |  |  |  |  |  |  |  |  |  |  |  |  |  |  |  |  |  |  |  |
| <b>D</b>         | <b>RW RESULTDONE</b>    |   |       | Write '1' to disable interrupt for event <b>RESULTDONE</b>    |  |  |  |  |  |  |  |  |  |  |  |  |  |  |  |  |  |  |  |  |  |  |  |  |  |
|                  |                         | Clear   | 1     | Disable   |  |  |  |  |  |  |  |  |  |  |  |  |  |  |  |  |  |  |  |  |  |  |  |  |  |
|                  |                         | Disabled  | 0     | Read: Disabled  |  |  |  |  |  |  |  |  |  |  |  |  |  |  |  |  |  |  |  |  |  |  |  |  |  |
|                  |                         | Enabled   | 1     | Read: Enabled   |  |  |  |  |  |  |  |  |  |  |  |  |  |  |  |  |  |  |  |  |  |  |  |  |  |
| <b>E</b>         | <b>RW CALIBRATEDONE</b> |   |       | Write '1' to disable interrupt for event <b>CALIBRATEDONE</b> |  |  |  |  |  |  |  |  |  |  |  |  |  |  |  |  |  |  |  |  |  |  |  |  |  |
|                  |                         | Clear   | 1     | Disable   |  |  |  |  |  |  |  |  |  |  |  |  |  |  |  |  |  |  |  |  |  |  |  |  |  |
|                  |                         | Disabled  | 0     | Read: Disabled  |  |  |  |  |  |  |  |  |  |  |  |  |  |  |  |  |  |  |  |  |  |  |  |  |  |
|                  |                         | Enabled   | 1     | Read: Enabled   |  |  |  |  |  |  |  |  |  |  |  |  |  |  |  |  |  |  |  |  |  |  |  |  |  |
| <b>F</b>         | <b>RW STOPPED</b>       |   |       | Write '1' to disable interrupt for event <b>STOPPED</b>       |  |  |  |  |  |  |  |  |  |  |  |  |  |  |  |  |  |  |  |  |  |  |  |  |  |
|                  |                         | Clear   | 1     | Disable   |  |  |  |  |  |  |  |  |  |  |  |  |  |  |  |  |  |  |  |  |  |  |  |  |  |
|                  |                         | Disabled  | 0     | Read: Disabled  |  |  |  |  |  |  |  |  |  |  |  |  |  |  |  |  |  |  |  |  |  |  |  |  |  |
|                  |                         | Enabled   | 1     | Read: Enabled   |  |  |  |  |  |  |  |  |  |  |  |  |  |  |  |  |  |  |  |  |  |  |  |  |  |
| <b>G</b>         | <b>RW CH0LIMITH</b>     |   |       | Write '1' to disable interrupt for event <b>CH0LIMITH</b>     |  |  |  |  |  |  |  |  |  |  |  |  |  |  |  |  |  |  |  |  |  |  |  |  |  |
|                  |                         | Clear   | 1     | Disable   |  |  |  |  |  |  |  |  |  |  |  |  |  |  |  |  |  |  |  |  |  |  |  |  |  |
|                  |                         | Disabled  | 0     | Read: Disabled  |  |  |  |  |  |  |  |  |  |  |  |  |  |  |  |  |  |  |  |  |  |  |  |  |  |
|                  |                         | Enabled   | 1     | Read: Enabled   |  |  |  |  |  |  |  |  |  |  |  |  |  |  |  |  |  |  |  |  |  |  |  |  |  |
| <b>H</b>         | <b>RW CH0LIMITL</b>     |   |       | Write '1' to disable interrupt for event <b>CH0LIMITL</b>     |  |  |  |  |  |  |  |  |  |  |  |  |  |  |  |  |  |  |  |  |  |  |  |  |  |
|                  |                         | Clear   | 1     | Disable   |  |  |  |  |  |  |  |  |  |  |  |  |  |  |  |  |  |  |  |  |  |  |  |  |  |
|                  |                         | Disabled  | 0     | Read: Disabled  |  |  |  |  |  |  |  |  |  |  |  |  |  |  |  |  |  |  |  |  |  |  |  |  |  |
|                  |                         | Enabled   | 1     | Read: Enabled   |  |  |  |  |  |  |  |  |  |  |  |  |  |  |  |  |  |  |  |  |  |  |  |  |  |
| <b>I</b>         | <b>RW CH1LIMITH</b>     |   |       | Write '1' to disable interrupt for event <b>CH1LIMITH</b>     |  |  |  |  |  |  |  |  |  |  |  |  |  |  |  |  |  |  |  |  |  |  |  |  |  |
|                  |                         | Clear   | 1     | Disable   |  |  |  |  |  |  |  |  |  |  |  |  |  |  |  |  |  |  |  |  |  |  |  |  |  |
|                  |                         | Disabled  | 0     | Read: Disabled  |  |  |  |  |  |  |  |  |  |  |  |  |  |  |  |  |  |  |  |  |  |  |  |  |  |
|                  |                         | Enabled   | 1     | Read: Enabled   |  |  |  |  |  |  |  |  |  |  |  |  |  |  |  |  |  |  |  |  |  |  |  |  |  |
| <b>J</b>         | <b>RW CH1LIMITL</b>     |   |       | Write '1' to disable interrupt for event <b>CH1LIMITL</b>     |  |  |  |  |  |  |  |  |  |  |  |  |  |  |  |  |  |  |  |  |  |  |  |  |  |
|                  |                         | Clear   | 1     | Disable   |  |  |  |  |  |  |  |  |  |  |  |  |  |  |  |  |  |  |  |  |  |  |  |  |  |
|                  |                         | Disabled  | 0     | Read: Disabled  |  |  |  |  |  |  |  |  |  |  |  |  |  |  |  |  |  |  |  |  |  |  |  |  |  |
|                  |                         | Enabled   | 1     | Read: Enabled   |  |  |  |  |  |  |  |  |  |  |  |  |  |  |  |  |  |  |  |  |  |  |  |  |  |
| <b>K</b>         | <b>RW CH2LIMITH</b>     |   |       | Write '1' to disable interrupt for event <b>CH2LIMITH</b>     |  |  |  |  |  |  |  |  |  |  |  |  |  |  |  |  |  |  |  |  |  |  |  |  |  |
|                  |                         | Clear   | 1     | Disable   |  |  |  |  |  |  |  |  |  |  |  |  |  |  |  |  |  |  |  |  |  |  |  |  |  |
|                  |                         | Disabled  | 0     | Read: Disabled  |  |  |  |  |  |  |  |  |  |  |  |  |  |  |  |  |  |  |  |  |  |  |  |  |  |
|                  |                         | Enabled   | 1     | Read: Enabled   |  |  |  |  |  |  |  |  |  |  |  |  |  |  |  |  |  |  |  |  |  |  |  |  |  |
| <b>L</b>         | <b>RW CH2LIMITL</b>     |   |       | Write '1' to disable interrupt for event <b>CH2LIMITL</b>     |  |  |  |  |  |  |  |  |  |  |  |  |  |  |  |  |  |  |  |  |  |  |  |  |  |
|                  |                         | Clear   | 1     | Disable   |  |  |  |  |  |  |  |  |  |  |  |  |  |  |  |  |  |  |  |  |  |  |  |  |  |
|                  |                         | Disabled  | 0     | Read: Disabled  |  |  |  |  |  |  |  |  |  |  |  |  |  |  |  |  |  |  |  |  |  |  |  |  |  |
|                  |                         | Enabled   | 1     | Read: Enabled   |  |  |  |  |  |  |  |  |  |  |  |  |  |  |  |  |  |  |  |  |  |  |  |  |  |
| <b>M</b>         | <b>RW CH3LIMITH</b>     |   |       | Write '1' to disable interrupt for event <b>CH3LIMITH</b>     |  |  |  |  |  |  |  |  |  |  |  |  |  |  |  |  |  |  |  |  |  |  |  |  |  |
|                  |                         | Clear   | 1     | Disable   |  |  |  |  |  |  |  |  |  |  |  |  |  |  |  |  |  |  |  |  |  |  |  |  |  |
|                  |                         | Disabled  | 0     | Read: Disabled  |  |  |  |  |  |  |  |  |  |  |  |  |  |  |  |  |  |  |  |  |  |  |  |  |  |

| Bit number       |              | 31 30 29 28 27 26 25 24 23 22 21 20 19 18 17 16 15 14 13 12 11 10 9 8 7 6 5 4 3 2 1 0 |       |  |  |  |  |  |  |  |  |  |  |  |  |  |  |  |  |  |  |  |  |  |  |  |  |  |  |
|------------------|--------------|---|-------|--|--|--|--|--|--|--|--|--|--|--|--|--|--|--|--|--|--|--|--|--|--|--|--|--|--|
| ID               |              | V U T S R Q P O N M L K J I H G F E D C B A   |       |  |  |  |  |  |  |  |  |  |  |  |  |  |  |  |  |  |  |  |  |  |  |  |  |  |  |
| Reset 0x00000000 |              | 0                       |       |  |  |  |  |  |  |  |  |  |  |  |  |  |  |  |  |  |  |  |  |  |  |  |  |  |  |
| ID               | Acce Field   | Value ID  | Value | Description  |  |  |  |  |  |  |  |  |  |  |  |  |  |  |  |  |  |  |  |  |  |  |  |  |  |
|                  |              | Enabled   | 1     | Read: Enabled  |  |  |  |  |  |  |  |  |  |  |  |  |  |  |  |  |  |  |  |  |  |  |  |  |  |
| N                | RW CH3LIMITL |   |       | Write '1' to disable interrupt for event <a href="#">CH3LIMITL</a> |  |  |  |  |  |  |  |  |  |  |  |  |  |  |  |  |  |  |  |  |  |  |  |  |  |
|                  |              | Clear   | 1     | Disable  |  |  |  |  |  |  |  |  |  |  |  |  |  |  |  |  |  |  |  |  |  |  |  |  |  |
|                  |              | Disabled  | 0     | Read: Disabled   |  |  |  |  |  |  |  |  |  |  |  |  |  |  |  |  |  |  |  |  |  |  |  |  |  |
|                  |              | Enabled   | 1     | Read: Enabled  |  |  |  |  |  |  |  |  |  |  |  |  |  |  |  |  |  |  |  |  |  |  |  |  |  |
| O                | RW CH4LIMITH |   |       | Write '1' to disable interrupt for event <a href="#">CH4LIMITH</a> |  |  |  |  |  |  |  |  |  |  |  |  |  |  |  |  |  |  |  |  |  |  |  |  |  |
|                  |              | Clear   | 1     | Disable  |  |  |  |  |  |  |  |  |  |  |  |  |  |  |  |  |  |  |  |  |  |  |  |  |  |
|                  |              | Disabled  | 0     | Read: Disabled   |  |  |  |  |  |  |  |  |  |  |  |  |  |  |  |  |  |  |  |  |  |  |  |  |  |
|                  |              | Enabled   | 1     | Read: Enabled  |  |  |  |  |  |  |  |  |  |  |  |  |  |  |  |  |  |  |  |  |  |  |  |  |  |
| P                | RW CH4LIMITL |   |       | Write '1' to disable interrupt for event <a href="#">CH4LIMITL</a> |  |  |  |  |  |  |  |  |  |  |  |  |  |  |  |  |  |  |  |  |  |  |  |  |  |
|                  |              | Clear   | 1     | Disable  |  |  |  |  |  |  |  |  |  |  |  |  |  |  |  |  |  |  |  |  |  |  |  |  |  |
|                  |              | Disabled  | 0     | Read: Disabled   |  |  |  |  |  |  |  |  |  |  |  |  |  |  |  |  |  |  |  |  |  |  |  |  |  |
|                  |              | Enabled   | 1     | Read: Enabled  |  |  |  |  |  |  |  |  |  |  |  |  |  |  |  |  |  |  |  |  |  |  |  |  |  |
| Q                | RW CH5LIMITH |   |       | Write '1' to disable interrupt for event <a href="#">CH5LIMITH</a> |  |  |  |  |  |  |  |  |  |  |  |  |  |  |  |  |  |  |  |  |  |  |  |  |  |
|                  |              | Clear   | 1     | Disable  |  |  |  |  |  |  |  |  |  |  |  |  |  |  |  |  |  |  |  |  |  |  |  |  |  |
|                  |              | Disabled  | 0     | Read: Disabled   |  |  |  |  |  |  |  |  |  |  |  |  |  |  |  |  |  |  |  |  |  |  |  |  |  |
|                  |              | Enabled   | 1     | Read: Enabled  |  |  |  |  |  |  |  |  |  |  |  |  |  |  |  |  |  |  |  |  |  |  |  |  |  |
| R                | RW CH5LIMITL |   |       | Write '1' to disable interrupt for event <a href="#">CH5LIMITL</a> |  |  |  |  |  |  |  |  |  |  |  |  |  |  |  |  |  |  |  |  |  |  |  |  |  |
|                  |              | Clear   | 1     | Disable  |  |  |  |  |  |  |  |  |  |  |  |  |  |  |  |  |  |  |  |  |  |  |  |  |  |
|                  |              | Disabled  | 0     | Read: Disabled   |  |  |  |  |  |  |  |  |  |  |  |  |  |  |  |  |  |  |  |  |  |  |  |  |  |
|                  |              | Enabled   | 1     | Read: Enabled  |  |  |  |  |  |  |  |  |  |  |  |  |  |  |  |  |  |  |  |  |  |  |  |  |  |
| S                | RW CH6LIMITH |   |       | Write '1' to disable interrupt for event <a href="#">CH6LIMITH</a> |  |  |  |  |  |  |  |  |  |  |  |  |  |  |  |  |  |  |  |  |  |  |  |  |  |
|                  |              | Clear   | 1     | Disable  |  |  |  |  |  |  |  |  |  |  |  |  |  |  |  |  |  |  |  |  |  |  |  |  |  |
|                  |              | Disabled  | 0     | Read: Disabled   |  |  |  |  |  |  |  |  |  |  |  |  |  |  |  |  |  |  |  |  |  |  |  |  |  |
|                  |              | Enabled   | 1     | Read: Enabled  |  |  |  |  |  |  |  |  |  |  |  |  |  |  |  |  |  |  |  |  |  |  |  |  |  |
| T                | RW CH6LIMITL |   |       | Write '1' to disable interrupt for event <a href="#">CH6LIMITL</a> |  |  |  |  |  |  |  |  |  |  |  |  |  |  |  |  |  |  |  |  |  |  |  |  |  |
|                  |              | Clear   | 1     | Disable  |  |  |  |  |  |  |  |  |  |  |  |  |  |  |  |  |  |  |  |  |  |  |  |  |  |
|                  |              | Disabled  | 0     | Read: Disabled   |  |  |  |  |  |  |  |  |  |  |  |  |  |  |  |  |  |  |  |  |  |  |  |  |  |
|                  |              | Enabled   | 1     | Read: Enabled  |  |  |  |  |  |  |  |  |  |  |  |  |  |  |  |  |  |  |  |  |  |  |  |  |  |
| U                | RW CH7LIMITH |   |       | Write '1' to disable interrupt for event <a href="#">CH7LIMITH</a> |  |  |  |  |  |  |  |  |  |  |  |  |  |  |  |  |  |  |  |  |  |  |  |  |  |
|                  |              | Clear   | 1     | Disable  |  |  |  |  |  |  |  |  |  |  |  |  |  |  |  |  |  |  |  |  |  |  |  |  |  |
|                  |              | Disabled  | 0     | Read: Disabled   |  |  |  |  |  |  |  |  |  |  |  |  |  |  |  |  |  |  |  |  |  |  |  |  |  |
|                  |              | Enabled   | 1     | Read: Enabled  |  |  |  |  |  |  |  |  |  |  |  |  |  |  |  |  |  |  |  |  |  |  |  |  |  |
| V                | RW CH7LIMITL |   |       | Write '1' to disable interrupt for event <a href="#">CH7LIMITL</a> |  |  |  |  |  |  |  |  |  |  |  |  |  |  |  |  |  |  |  |  |  |  |  |  |  |
|                  |              | Clear   | 1     | Disable  |  |  |  |  |  |  |  |  |  |  |  |  |  |  |  |  |  |  |  |  |  |  |  |  |  |
|                  |              | Disabled  | 0     | Read: Disabled   |  |  |  |  |  |  |  |  |  |  |  |  |  |  |  |  |  |  |  |  |  |  |  |  |  |
|                  |              | Enabled   | 1     | Read: Enabled  |  |  |  |  |  |  |  |  |  |  |  |  |  |  |  |  |  |  |  |  |  |  |  |  |  |

### 6.23.9.16 STATUS

Address offset: 0x400

Status



| Bit number | 31  | 30     | 29       | 28    | 27                                       | 26 | 25 | 24 | 23 | 22 | 21 | 20 | 19 | 18 | 17 | 16 | 15 | 14 | 13 | 12 | 11 | 10 | 9 | 8 | 7 | 6 | 5 | 4 | 3 | 2 | 1 | 0 |
|------------|---|--------|----------|-------|--|----|----|----|----|----|----|----|----|----|----|----|----|----|----|----|----|----|---|---|---|---|---|---|---|---|---|---|
| ID         |   |        |          |       |  |    |    |    |    |    |    |    |    |    |    |    |    |    |    |    |    |    |   |   |   |   |   |   |   |   |   | A |
| Reset      | 0x00000000  |        |          |       |  |    |    |    |    |    |    |    |    |    |    |    |    |    |    |    |    |    |   |   |   |   |   |   |   |   |   |   |
|            | 0 |        |          |       |  |    |    |    |    |    |    |    |    |    |    |    |    |    |    |    |    |    |   |   |   |   |   |   |   |   |   |   |
| ID         | Acce  | Field  | Value ID | Value | Description                              |    |    |    |    |    |    |    |    |    |    |    |    |    |    |    |    |    |   |   |   |   |   |   |   |   |   |   |
| A          | R   | STATUS |          |       | Status                                   |    |    |    |    |    |    |    |    |    |    |    |    |    |    |    |    |    |   |   |   |   |   |   |   |   |   |   |
|            |   |        | Ready    | 0     | SAADC is ready. No on-going conversions. |    |    |    |    |    |    |    |    |    |    |    |    |    |    |    |    |    |   |   |   |   |   |   |   |   |   |   |
|            |   |        | Busy     | 1     | SAADC is busy. Conversion in progress.   |    |    |    |    |    |    |    |    |    |    |    |    |    |    |    |    |    |   |   |   |   |   |   |   |   |   |   |

### 6.23.9.17 ENABLE

Address offset: 0x500

Enable or disable SAADC

| Bit number | 31  | 30     | 29       | 28    | 27  | 26 | 25 | 24 | 23 | 22 | 21 | 20 | 19 | 18 | 17 | 16 | 15 | 14 | 13 | 12 | 11 | 10 | 9 | 8 | 7 | 6 | 5 | 4 | 3 | 2 | 1 | 0 |
|------------|---|--------|----------|-------|---|----|----|----|----|----|----|----|----|----|----|----|----|----|----|----|----|----|---|---|---|---|---|---|---|---|---|---|
| ID         |   |        |          |       |   |    |    |    |    |    |    |    |    |    |    |    |    |    |    |    |    |    |   |   |   |   |   |   |   |   |   | A |
| Reset      | 0x00000000  |        |          |       |   |    |    |    |    |    |    |    |    |    |    |    |    |    |    |    |    |    |   |   |   |   |   |   |   |   |   |   |
|            | 0 |        |          |       |   |    |    |    |    |    |    |    |    |    |    |    |    |    |    |    |    |    |   |   |   |   |   |   |   |   |   |   |
| ID         | Acce  | Field  | Value ID | Value | Description   |    |    |    |    |    |    |    |    |    |    |    |    |    |    |    |    |    |   |   |   |   |   |   |   |   |   |   |
| A          | RW  | ENABLE |          |       | Enable or disable SAADC   |    |    |    |    |    |    |    |    |    |    |    |    |    |    |    |    |    |   |   |   |   |   |   |   |   |   |   |
|            |   |        | Disabled | 0     | Disable SAADC   |    |    |    |    |    |    |    |    |    |    |    |    |    |    |    |    |    |   |   |   |   |   |   |   |   |   |   |
|            |   |        | Enabled  | 1     | Enable SAADC  |    |    |    |    |    |    |    |    |    |    |    |    |    |    |    |    |    |   |   |   |   |   |   |   |   |   |   |
|            |   |        |          |       | When enabled, the SAADC will acquire access to analog input pins specified in registers CH[n].PSELP and CH[n].PSELN |    |    |    |    |    |    |    |    |    |    |    |    |    |    |    |    |    |   |   |   |   |   |   |   |   |   |   |

### 6.23.9.18 CH[n].PSELP (n=0..7)

Address offset: 0x510 + (n × 0x10)

Input positive pin selection for CH[n]

| Bit number | 31  | 30    | 29           | 28    | 27                            | 26 | 25 | 24 | 23 | 22 | 21 | 20 | 19 | 18 | 17 | 16 | 15 | 14 | 13 | 12 | 11 | 10 | 9 | 8 | 7 | 6 | 5 | 4 | 3 | 2 | 1 | 0 |   |   |   |   |
|------------|---|-------|--------------|-------|-------------------------------|----|----|----|----|----|----|----|----|----|----|----|----|----|----|----|----|----|---|---|---|---|---|---|---|---|---|---|---|---|---|---|
| ID         |   |       |              |       |                               |    |    |    |    |    |    |    |    |    |    |    |    |    |    |    |    |    |   |   |   |   |   |   |   |   |   | A | A | A | A | A |
| Reset      | 0x00000000  |       |              |       |                               |    |    |    |    |    |    |    |    |    |    |    |    |    |    |    |    |    |   |   |   |   |   |   |   |   |   |   |   |   |   |   |
|            | 0 |       |              |       |                               |    |    |    |    |    |    |    |    |    |    |    |    |    |    |    |    |    |   |   |   |   |   |   |   |   |   |   |   |   |   |   |
| ID         | Acce  | Field | Value ID     | Value | Description                   |    |    |    |    |    |    |    |    |    |    |    |    |    |    |    |    |    |   |   |   |   |   |   |   |   |   |   |   |   |   |   |
| A          | RW  | PSELP |              |       | Analog positive input channel |    |    |    |    |    |    |    |    |    |    |    |    |    |    |    |    |    |   |   |   |   |   |   |   |   |   |   |   |   |   |   |
|            |   |       | NC           | 0     | Not connected                 |    |    |    |    |    |    |    |    |    |    |    |    |    |    |    |    |    |   |   |   |   |   |   |   |   |   |   |   |   |   |   |
|            |   |       | AnalogInput0 | 1     | AIN0                          |    |    |    |    |    |    |    |    |    |    |    |    |    |    |    |    |    |   |   |   |   |   |   |   |   |   |   |   |   |   |   |
|            |   |       | AnalogInput1 | 2     | AIN1                          |    |    |    |    |    |    |    |    |    |    |    |    |    |    |    |    |    |   |   |   |   |   |   |   |   |   |   |   |   |   |   |
|            |   |       | AnalogInput2 | 3     | AIN2                          |    |    |    |    |    |    |    |    |    |    |    |    |    |    |    |    |    |   |   |   |   |   |   |   |   |   |   |   |   |   |   |
|            |   |       | AnalogInput3 | 4     | AIN3                          |    |    |    |    |    |    |    |    |    |    |    |    |    |    |    |    |    |   |   |   |   |   |   |   |   |   |   |   |   |   |   |
|            |   |       | AnalogInput4 | 5     | AIN4                          |    |    |    |    |    |    |    |    |    |    |    |    |    |    |    |    |    |   |   |   |   |   |   |   |   |   |   |   |   |   |   |
|            |   |       | AnalogInput5 | 6     | AIN5                          |    |    |    |    |    |    |    |    |    |    |    |    |    |    |    |    |    |   |   |   |   |   |   |   |   |   |   |   |   |   |   |
|            |   |       | AnalogInput6 | 7     | AIN6                          |    |    |    |    |    |    |    |    |    |    |    |    |    |    |    |    |    |   |   |   |   |   |   |   |   |   |   |   |   |   |   |
|            |   |       | AnalogInput7 | 8     | AIN7                          |    |    |    |    |    |    |    |    |    |    |    |    |    |    |    |    |    |   |   |   |   |   |   |   |   |   |   |   |   |   |   |
|            |   |       | VDD          | 9     | VDD                           |    |    |    |    |    |    |    |    |    |    |    |    |    |    |    |    |    |   |   |   |   |   |   |   |   |   |   |   |   |   |   |
|            |   |       | VDDHDIV5     | 0x0D  | VDDH/5                        |    |    |    |    |    |    |    |    |    |    |    |    |    |    |    |    |    |   |   |   |   |   |   |   |   |   |   |   |   |   |   |

### 6.23.9.19 CH[n].PSELN (n=0..7)

Address offset: 0x514 + (n × 0x10)

Input negative pin selection for CH[n]

| Bit number | 31 30 29 28 27 26 25 24 23 22 21 20 19 18 17 16 15 14 13 12 11 10 9 8 7 6 5 4 3 2 1 0 |       |              |       |   |  |  |  |  |  |  |  |  |  |  |  |  |  |  |  |  |  |  |  |  |  |  |  |  |  |   |   |   |   |   |
|------------|---|-------|--------------|-------|---|--|--|--|--|--|--|--|--|--|--|--|--|--|--|--|--|--|--|--|--|--|--|--|--|--|---|---|---|---|---|
| ID         |   |       |              |       |   |  |  |  |  |  |  |  |  |  |  |  |  |  |  |  |  |  |  |  |  |  |  |  |  |  | A | A | A | A | A |
| Reset      | 0x00000000  |       |              |       |   |  |  |  |  |  |  |  |  |  |  |  |  |  |  |  |  |  |  |  |  |  |  |  |  |  |   |   |   |   |   |
| ID         | Acce  | Field | Value ID     | Value | Description   |  |  |  |  |  |  |  |  |  |  |  |  |  |  |  |  |  |  |  |  |  |  |  |  |  |   |   |   |   |   |
| A          | RW  | PSELN |              |       | Analog negative input, enables differential channel |  |  |  |  |  |  |  |  |  |  |  |  |  |  |  |  |  |  |  |  |  |  |  |  |  |   |   |   |   |   |
|            |   |       | NC           | 0     | Not connected                                       |  |  |  |  |  |  |  |  |  |  |  |  |  |  |  |  |  |  |  |  |  |  |  |  |  |   |   |   |   |   |
|            |   |       | AnalogInput0 | 1     | AIN0  |  |  |  |  |  |  |  |  |  |  |  |  |  |  |  |  |  |  |  |  |  |  |  |  |  |   |   |   |   |   |
|            |   |       | AnalogInput1 | 2     | AIN1  |  |  |  |  |  |  |  |  |  |  |  |  |  |  |  |  |  |  |  |  |  |  |  |  |  |   |   |   |   |   |
|            |   |       | AnalogInput2 | 3     | AIN2  |  |  |  |  |  |  |  |  |  |  |  |  |  |  |  |  |  |  |  |  |  |  |  |  |  |   |   |   |   |   |
|            |   |       | AnalogInput3 | 4     | AIN3  |  |  |  |  |  |  |  |  |  |  |  |  |  |  |  |  |  |  |  |  |  |  |  |  |  |   |   |   |   |   |
|            |   |       | AnalogInput4 | 5     | AIN4  |  |  |  |  |  |  |  |  |  |  |  |  |  |  |  |  |  |  |  |  |  |  |  |  |  |   |   |   |   |   |
|            |   |       | AnalogInput5 | 6     | AIN5  |  |  |  |  |  |  |  |  |  |  |  |  |  |  |  |  |  |  |  |  |  |  |  |  |  |   |   |   |   |   |
|            |   |       | AnalogInput6 | 7     | AIN6  |  |  |  |  |  |  |  |  |  |  |  |  |  |  |  |  |  |  |  |  |  |  |  |  |  |   |   |   |   |   |
|            |   |       | AnalogInput7 | 8     | AIN7  |  |  |  |  |  |  |  |  |  |  |  |  |  |  |  |  |  |  |  |  |  |  |  |  |  |   |   |   |   |   |
|            |   |       | VDD          | 9     | VDD   |  |  |  |  |  |  |  |  |  |  |  |  |  |  |  |  |  |  |  |  |  |  |  |  |  |   |   |   |   |   |
|            |   |       | VDDHDIV5     | 0x0D  | VDDH/5  |  |  |  |  |  |  |  |  |  |  |  |  |  |  |  |  |  |  |  |  |  |  |  |  |  |   |   |   |   |   |

### 6.23.9.20 CH[n].CONFIG (n=0..7)

Address offset:  $0x518 + (n \times 0x10)$

Input configuration for CH[n]

| Bit number | 31 30 29 28 27 26 25 24 23 22 21 20 19 18 17 16 15 14 13 12 11 10 9 8 7 6 5 4 3 2 1 0 |        |          |       |   |  |  |  |  |  |  |  |  |  |  |  |  |  |  |  |   |   |   |   |   |   |   |   |   |   |   |   |   |
|------------|---|--------|----------|-------|---|--|--|--|--|--|--|--|--|--|--|--|--|--|--|--|---|---|---|---|---|---|---|---|---|---|---|---|---|
| ID         |   |        |          |       |   |  |  |  |  |  |  |  |  |  |  |  |  |  |  |  | G | F | E | E | E | D | C | C | C | B | B | A | A |
| Reset      | 0x00020000  |        |          |       |   |  |  |  |  |  |  |  |  |  |  |  |  |  |  |  |   |   |   |   |   |   |   |   |   |   |   |   |   |
| ID         | Acce  | Field  | Value ID | Value | Description   |  |  |  |  |  |  |  |  |  |  |  |  |  |  |  |   |   |   |   |   |   |   |   |   |   |   |   |   |
| A          | RW  | RESP   |          |       | Positive channel resistor control                                     |  |  |  |  |  |  |  |  |  |  |  |  |  |  |  |   |   |   |   |   |   |   |   |   |   |   |   |   |
|            |   |        | Bypass   | 0     | Bypass resistor ladder  |  |  |  |  |  |  |  |  |  |  |  |  |  |  |  |   |   |   |   |   |   |   |   |   |   |   |   |   |
|            |   |        | Pulldown | 1     | Pull-down to GND  |  |  |  |  |  |  |  |  |  |  |  |  |  |  |  |   |   |   |   |   |   |   |   |   |   |   |   |   |
|            |   |        | Pullup   | 2     | Pull-up to VDD  |  |  |  |  |  |  |  |  |  |  |  |  |  |  |  |   |   |   |   |   |   |   |   |   |   |   |   |   |
|            |   |        | VDD1_2   | 3     | Set input at VDD/2  |  |  |  |  |  |  |  |  |  |  |  |  |  |  |  |   |   |   |   |   |   |   |   |   |   |   |   |   |
| B          | RW  | RESN   |          |       | Negative channel resistor control                                     |  |  |  |  |  |  |  |  |  |  |  |  |  |  |  |   |   |   |   |   |   |   |   |   |   |   |   |   |
|            |   |        | Bypass   | 0     | Bypass resistor ladder  |  |  |  |  |  |  |  |  |  |  |  |  |  |  |  |   |   |   |   |   |   |   |   |   |   |   |   |   |
|            |   |        | Pulldown | 1     | Pull-down to GND  |  |  |  |  |  |  |  |  |  |  |  |  |  |  |  |   |   |   |   |   |   |   |   |   |   |   |   |   |
|            |   |        | Pullup   | 2     | Pull-up to VDD  |  |  |  |  |  |  |  |  |  |  |  |  |  |  |  |   |   |   |   |   |   |   |   |   |   |   |   |   |
|            |   |        | VDD1_2   | 3     | Set input at VDD/2  |  |  |  |  |  |  |  |  |  |  |  |  |  |  |  |   |   |   |   |   |   |   |   |   |   |   |   |   |
| C          | RW  | GAIN   |          |       | Gain control  |  |  |  |  |  |  |  |  |  |  |  |  |  |  |  |   |   |   |   |   |   |   |   |   |   |   |   |   |
|            |   |        | Gain1_6  | 0     | 1/6   |  |  |  |  |  |  |  |  |  |  |  |  |  |  |  |   |   |   |   |   |   |   |   |   |   |   |   |   |
|            |   |        | Gain1_5  | 1     | 1/5   |  |  |  |  |  |  |  |  |  |  |  |  |  |  |  |   |   |   |   |   |   |   |   |   |   |   |   |   |
|            |   |        | Gain1_4  | 2     | 1/4   |  |  |  |  |  |  |  |  |  |  |  |  |  |  |  |   |   |   |   |   |   |   |   |   |   |   |   |   |
|            |   |        | Gain1_3  | 3     | 1/3   |  |  |  |  |  |  |  |  |  |  |  |  |  |  |  |   |   |   |   |   |   |   |   |   |   |   |   |   |
|            |   |        | Gain1_2  | 4     | 1/2   |  |  |  |  |  |  |  |  |  |  |  |  |  |  |  |   |   |   |   |   |   |   |   |   |   |   |   |   |
|            |   |        | Gain1    | 5     | 1   |  |  |  |  |  |  |  |  |  |  |  |  |  |  |  |   |   |   |   |   |   |   |   |   |   |   |   |   |
|            |   |        | Gain2    | 6     | 2   |  |  |  |  |  |  |  |  |  |  |  |  |  |  |  |   |   |   |   |   |   |   |   |   |   |   |   |   |
|            |   |        | Gain4    | 7     | 4   |  |  |  |  |  |  |  |  |  |  |  |  |  |  |  |   |   |   |   |   |   |   |   |   |   |   |   |   |
| D          | RW  | REFSEL |          |       | Reference control   |  |  |  |  |  |  |  |  |  |  |  |  |  |  |  |   |   |   |   |   |   |   |   |   |   |   |   |   |
|            |   |        | Internal | 0     | Internal reference (0.6 V)  |  |  |  |  |  |  |  |  |  |  |  |  |  |  |  |   |   |   |   |   |   |   |   |   |   |   |   |   |
|            |   |        | VDD1_4   | 1     | VDD/4 as reference  |  |  |  |  |  |  |  |  |  |  |  |  |  |  |  |   |   |   |   |   |   |   |   |   |   |   |   |   |
| E          | RW  | TACQ   |          |       | Acquisition time, the time the SAADC uses to sample the input voltage |  |  |  |  |  |  |  |  |  |  |  |  |  |  |  |   |   |   |   |   |   |   |   |   |   |   |   |   |
|            |   |        | 3us      | 0     | 3 $\mu$ s   |  |  |  |  |  |  |  |  |  |  |  |  |  |  |  |   |   |   |   |   |   |   |   |   |   |   |   |   |
|            |   |        | 5us      | 1     | 5 $\mu$ s   |  |  |  |  |  |  |  |  |  |  |  |  |  |  |  |   |   |   |   |   |   |   |   |   |   |   |   |   |
|            |   |        | 10us     | 2     | 10 $\mu$ s  |  |  |  |  |  |  |  |  |  |  |  |  |  |  |  |   |   |   |   |   |   |   |   |   |   |   |   |   |

| Bit number              | 31 30 29 28 27 26 25 24 23 22 21 20 19 18 17 16 15 14 13 12 11 10 9 8 7 6 5 4 3 2 1 0 |          |       |  |  |  |  |  |  |  |  |  |  |  |  |  |  |  |  |  |  |  |  |  |  |  |  |  |  |  |  |
|-------------------------|---|----------|-------|--|--|--|--|--|--|--|--|--|--|--|--|--|--|--|--|--|--|--|--|--|--|--|--|--|--|--|--|
| ID                      | G F E E E D C C C B B A A   |          |       |  |  |  |  |  |  |  |  |  |  |  |  |  |  |  |  |  |  |  |  |  |  |  |  |  |  |  |  |
| <b>Reset 0x00020000</b> | <b>0 0 0 0 0 0 0 0 0 0 0 0 0 0 0 1 0 0 0 0 0 0 0 0 0 0 0 0 0 0 0 0 0 0</b>            |          |       |  |  |  |  |  |  |  |  |  |  |  |  |  |  |  |  |  |  |  |  |  |  |  |  |  |  |  |  |
| ID                      | Acce Field  | Value ID | Value | Description  |  |  |  |  |  |  |  |  |  |  |  |  |  |  |  |  |  |  |  |  |  |  |  |  |  |  |  |
|                         |   | 15us     | 3     | 15 $\mu$ s   |  |  |  |  |  |  |  |  |  |  |  |  |  |  |  |  |  |  |  |  |  |  |  |  |  |  |  |
|                         |   | 20us     | 4     | 20 $\mu$ s   |  |  |  |  |  |  |  |  |  |  |  |  |  |  |  |  |  |  |  |  |  |  |  |  |  |  |  |
|                         |   | 40us     | 5     | 40 $\mu$ s   |  |  |  |  |  |  |  |  |  |  |  |  |  |  |  |  |  |  |  |  |  |  |  |  |  |  |  |
| F                       | RW MODE   |          |       | Enable differential mode   |  |  |  |  |  |  |  |  |  |  |  |  |  |  |  |  |  |  |  |  |  |  |  |  |  |  |  |
|                         |   | SE       | 0     | Single-ended, PSELN will be ignored, negative input to SAADC shorted to GND  |  |  |  |  |  |  |  |  |  |  |  |  |  |  |  |  |  |  |  |  |  |  |  |  |  |  |  |
|                         |   | Diff     | 1     | Differential   |  |  |  |  |  |  |  |  |  |  |  |  |  |  |  |  |  |  |  |  |  |  |  |  |  |  |  |
| G                       | RW BURST  |          |       | Enable burst mode  |  |  |  |  |  |  |  |  |  |  |  |  |  |  |  |  |  |  |  |  |  |  |  |  |  |  |  |
|                         |   | Disabled | 0     | Burst mode is disabled (normal operation)  |  |  |  |  |  |  |  |  |  |  |  |  |  |  |  |  |  |  |  |  |  |  |  |  |  |  |  |
|                         |   | Enabled  | 1     | Burst mode is enabled. SAADC takes 2 <sup>OVERSAMPLE</sup> number of samples as fast as it can, and sends the average to Data RAM. |  |  |  |  |  |  |  |  |  |  |  |  |  |  |  |  |  |  |  |  |  |  |  |  |  |  |  |

### 6.23.9.21 CH[n].LIMIT (n=0..7)

Address offset: 0x51C + (n  $\times$  0x10)

High/low limits for event monitoring of a channel

| Bit number              | 31 30 29 28 27 26 25 24 23 22 21 20 19 18 17 16 15 14 13 12 11 10 9 8 7 6 5 4 3 2 1 0 |          |                    |                  |  |  |  |  |  |  |  |  |  |  |  |  |  |  |  |  |  |  |  |  |  |  |  |  |  |  |  |
|-------------------------|---|----------|--------------------|------------------|--|--|--|--|--|--|--|--|--|--|--|--|--|--|--|--|--|--|--|--|--|--|--|--|--|--|--|
| ID                      | B B B B B B B B B B B B B B B A A A A A A A A A A A A A A A A A                       |          |                    |                  |  |  |  |  |  |  |  |  |  |  |  |  |  |  |  |  |  |  |  |  |  |  |  |  |  |  |  |
| <b>Reset 0x7FFF8000</b> | <b>0 1 1 1 1 1 1 1 1 1 1 1 1 1 1 1 0 0 0 0 0 0 0 0 0 0 0 0 0 0 0 0</b>                |          |                    |                  |  |  |  |  |  |  |  |  |  |  |  |  |  |  |  |  |  |  |  |  |  |  |  |  |  |  |  |
| ID                      | Acce Field  | Value ID | Value              | Description      |  |  |  |  |  |  |  |  |  |  |  |  |  |  |  |  |  |  |  |  |  |  |  |  |  |  |  |
| A                       | RW LOW  |          | [-32768 to +32767] | Low level limit  |  |  |  |  |  |  |  |  |  |  |  |  |  |  |  |  |  |  |  |  |  |  |  |  |  |  |  |
| B                       | RW HIGH   |          | [-32768 to +32767] | High level limit |  |  |  |  |  |  |  |  |  |  |  |  |  |  |  |  |  |  |  |  |  |  |  |  |  |  |  |

### 6.23.9.22 RESOLUTION

Address offset: 0x5F0

Resolution configuration

| Bit number              | 31 30 29 28 27 26 25 24 23 22 21 20 19 18 17 16 15 14 13 12 11 10 9 8 7 6 5 4 3 2 1 0 |          |       |                    |  |  |  |  |  |  |  |  |  |  |  |  |  |  |  |  |  |  |  |  |  |  |  |  |  |  |  |
|-------------------------|---|----------|-------|--------------------|--|--|--|--|--|--|--|--|--|--|--|--|--|--|--|--|--|--|--|--|--|--|--|--|--|--|--|
| ID                      | A A A   |          |       |                    |  |  |  |  |  |  |  |  |  |  |  |  |  |  |  |  |  |  |  |  |  |  |  |  |  |  |  |
| <b>Reset 0x00000001</b> | <b>0 1</b>                |          |       |                    |  |  |  |  |  |  |  |  |  |  |  |  |  |  |  |  |  |  |  |  |  |  |  |  |  |  |  |
| ID                      | Acce Field  | Value ID | Value | Description        |  |  |  |  |  |  |  |  |  |  |  |  |  |  |  |  |  |  |  |  |  |  |  |  |  |  |  |
| A                       | RW VAL  |          |       | Set the resolution |  |  |  |  |  |  |  |  |  |  |  |  |  |  |  |  |  |  |  |  |  |  |  |  |  |  |  |
|                         |   | 8bit     | 0     | 8 bits             |  |  |  |  |  |  |  |  |  |  |  |  |  |  |  |  |  |  |  |  |  |  |  |  |  |  |  |
|                         |   | 10bit    | 1     | 10 bits            |  |  |  |  |  |  |  |  |  |  |  |  |  |  |  |  |  |  |  |  |  |  |  |  |  |  |  |
|                         |   | 12bit    | 2     | 12 bits            |  |  |  |  |  |  |  |  |  |  |  |  |  |  |  |  |  |  |  |  |  |  |  |  |  |  |  |
|                         |   | 14bit    | 3     | 14 bits            |  |  |  |  |  |  |  |  |  |  |  |  |  |  |  |  |  |  |  |  |  |  |  |  |  |  |  |

### 6.23.9.23 OVERSAMPLE

Address offset: 0x5F4

Oversampling configuration. The RESOLUTION is applied before averaging, thus for high OVERSAMPLE a higher RESOLUTION should be used.

| Bit number       | 31 30 29 28 27 26 25 24 23 22 21 20 19 18 17 16 15 14 13 12 11 10 9 8 7 6 5 4 3 2 1 0 |            |          |       |                     |  |  |  |  |  |  |  |  |  |  |  |  |  |  |  |  |  |  |  |  |  |  |  |  |  |   |   |   |   |
|------------------|---|------------|----------|-------|---------------------|--|--|--|--|--|--|--|--|--|--|--|--|--|--|--|--|--|--|--|--|--|--|--|--|--|---|---|---|---|
| ID               |   |            |          |       |                     |  |  |  |  |  |  |  |  |  |  |  |  |  |  |  |  |  |  |  |  |  |  |  |  |  | A | A | A | A |
| Reset 0x00000000 | 0           |            |          |       |                     |  |  |  |  |  |  |  |  |  |  |  |  |  |  |  |  |  |  |  |  |  |  |  |  |  |   |   |   |   |
| ID               | Acce  | Field      | Value ID | Value | Description         |  |  |  |  |  |  |  |  |  |  |  |  |  |  |  |  |  |  |  |  |  |  |  |  |  |   |   |   |   |
| A                | RW  | OVERSAMPLE |          |       | Oversample control  |  |  |  |  |  |  |  |  |  |  |  |  |  |  |  |  |  |  |  |  |  |  |  |  |  |   |   |   |   |
|                  |   |            | Bypass   | 0     | Bypass oversampling |  |  |  |  |  |  |  |  |  |  |  |  |  |  |  |  |  |  |  |  |  |  |  |  |  |   |   |   |   |
|                  |   |            | Over2x   | 1     | Oversample 2x       |  |  |  |  |  |  |  |  |  |  |  |  |  |  |  |  |  |  |  |  |  |  |  |  |  |   |   |   |   |
|                  |   |            | Over4x   | 2     | Oversample 4x       |  |  |  |  |  |  |  |  |  |  |  |  |  |  |  |  |  |  |  |  |  |  |  |  |  |   |   |   |   |
|                  |   |            | Over8x   | 3     | Oversample 8x       |  |  |  |  |  |  |  |  |  |  |  |  |  |  |  |  |  |  |  |  |  |  |  |  |  |   |   |   |   |
|                  |   |            | Over16x  | 4     | Oversample 16x      |  |  |  |  |  |  |  |  |  |  |  |  |  |  |  |  |  |  |  |  |  |  |  |  |  |   |   |   |   |
|                  |   |            | Over32x  | 5     | Oversample 32x      |  |  |  |  |  |  |  |  |  |  |  |  |  |  |  |  |  |  |  |  |  |  |  |  |  |   |   |   |   |
|                  |   |            | Over64x  | 6     | Oversample 64x      |  |  |  |  |  |  |  |  |  |  |  |  |  |  |  |  |  |  |  |  |  |  |  |  |  |   |   |   |   |
|                  |   |            | Over128x | 7     | Oversample 128x     |  |  |  |  |  |  |  |  |  |  |  |  |  |  |  |  |  |  |  |  |  |  |  |  |  |   |   |   |   |
|                  |   |            | Over256x | 8     | Oversample 256x     |  |  |  |  |  |  |  |  |  |  |  |  |  |  |  |  |  |  |  |  |  |  |  |  |  |   |   |   |   |

### 6.23.9.24 SAMPLERATE

Address offset: 0x5F8

Controls normal or continuous sample rate

| Bit number       | 31 30 29 28 27 26 25 24 23 22 21 20 19 18 17 16 15 14 13 12 11 10 9 8 7 6 5 4 3 2 1 0 |       |          |            |  |  |  |  |  |  |  |  |  |  |  |  |  |  |  |  |  |  |  |  |  |  |  |  |  |  |   |   |   |   |   |   |   |   |   |   |   |   |   |   |
|------------------|---|-------|----------|------------|--|--|--|--|--|--|--|--|--|--|--|--|--|--|--|--|--|--|--|--|--|--|--|--|--|--|---|---|---|---|---|---|---|---|---|---|---|---|---|---|
| ID               |   |       |          |            |  |  |  |  |  |  |  |  |  |  |  |  |  |  |  |  |  |  |  |  |  |  |  |  |  |  | B | A | A | A | A | A | A | A | A | A | A | A | A | A |
| Reset 0x00000000 | 0           |       |          |            |  |  |  |  |  |  |  |  |  |  |  |  |  |  |  |  |  |  |  |  |  |  |  |  |  |  |   |   |   |   |   |   |   |   |   |   |   |   |   |   |
| ID               | Acce  | Field | Value ID | Value      | Description  |  |  |  |  |  |  |  |  |  |  |  |  |  |  |  |  |  |  |  |  |  |  |  |  |  |   |   |   |   |   |   |   |   |   |   |   |   |   |   |
| A                | RW  | CC    |          | [80..2047] | Capture and compare value. Sample rate is 16 MHz/CC              |  |  |  |  |  |  |  |  |  |  |  |  |  |  |  |  |  |  |  |  |  |  |  |  |  |   |   |   |   |   |   |   |   |   |   |   |   |   |   |
| B                | RW  | MODE  |          |            | Select mode for sample rate control                              |  |  |  |  |  |  |  |  |  |  |  |  |  |  |  |  |  |  |  |  |  |  |  |  |  |   |   |   |   |   |   |   |   |   |   |   |   |   |   |
|                  |   |       | Task     | 0          | Rate is controlled from SAMPLE task                              |  |  |  |  |  |  |  |  |  |  |  |  |  |  |  |  |  |  |  |  |  |  |  |  |  |   |   |   |   |   |   |   |   |   |   |   |   |   |   |
|                  |   |       | Timers   | 1          | Rate is controlled from local timer (use CC to control the rate) |  |  |  |  |  |  |  |  |  |  |  |  |  |  |  |  |  |  |  |  |  |  |  |  |  |   |   |   |   |   |   |   |   |   |   |   |   |   |   |

### 6.23.9.25 RESULT.PTR

Address offset: 0x62C

Data pointer

| Bit number       | 31 30 29 28 27 26 25 24 23 22 21 20 19 18 17 16 15 14 13 12 11 10 9 8 7 6 5 4 3 2 1 0 |       |          |       |              |   |   |   |   |   |   |   |   |   |   |   |   |   |   |   |   |   |   |   |   |   |   |   |   |   |  |
|------------------|---|-------|----------|-------|--------------|---|---|---|---|---|---|---|---|---|---|---|---|---|---|---|---|---|---|---|---|---|---|---|---|---|--|
| ID               | A   | A     | A        | A     | A            | A | A | A | A | A | A | A | A | A | A | A | A | A | A | A | A | A | A | A | A | A | A | A | A | A |  |
| Reset 0x00000000 | 0           |       |          |       |              |   |   |   |   |   |   |   |   |   |   |   |   |   |   |   |   |   |   |   |   |   |   |   |   |   |  |
| ID               | Acce  | Field | Value ID | Value | Description  |   |   |   |   |   |   |   |   |   |   |   |   |   |   |   |   |   |   |   |   |   |   |   |   |   |  |
| A                | RW  | PTR   |          |       | Data pointer |   |   |   |   |   |   |   |   |   |   |   |   |   |   |   |   |   |   |   |   |   |   |   |   |   |  |

**Note:** See [Memory](#) on page 20 for details about memories available to EasyDMA.

### 6.23.9.26 RESULT.MAXCNT

Address offset: 0x630

Maximum number of 16-bit samples to be written to output RAM buffer

|                  |            |          |       |   |    |    |    |    |    |    |    |    |    |    |    |    |    |    |    |    |    |    |   |   |   |   |   |   |   |   |   |   |   |   |
|------------------|------------|----------|-------|---|----|----|----|----|----|----|----|----|----|----|----|----|----|----|----|----|----|----|---|---|---|---|---|---|---|---|---|---|---|---|
| Bit number       | 31         | 30       | 29    | 28  | 27 | 26 | 25 | 24 | 23 | 22 | 21 | 20 | 19 | 18 | 17 | 16 | 15 | 14 | 13 | 12 | 11 | 10 | 9 | 8 | 7 | 6 | 5 | 4 | 3 | 2 | 1 | 0 |   |   |
| ID               |            |          |       |   |    |    |    |    |    |    |    |    |    |    |    |    | A  | A  | A  | A  | A  | A  | A | A | A | A | A | A | A | A | A | A | A | A |
| Reset 0x00000000 | 0          |          |       |   |    |    |    |    |    |    |    |    |    |    |    |    | 0  | 0  | 0  | 0  | 0  | 0  | 0 | 0 | 0 | 0 | 0 | 0 | 0 | 0 | 0 | 0 | 0 | 0 |
| ID               | Acce Field | Value ID | Value | Description   |    |    |    |    |    |    |    |    |    |    |    |    |    |    |    |    |    |    |   |   |   |   |   |   |   |   |   |   |   |   |
| A                | RW         | MAXCNT   |       | Maximum number of 16-bit samples to be written to output RAM buffer |    |    |    |    |    |    |    |    |    |    |    |    |    |    |    |    |    |    |   |   |   |   |   |   |   |   |   |   |   |   |

### 6.23.9.27 RESULT.AMOUNT

Address offset: 0x634

Number of 16-bit samples written to output RAM buffer since the previous START task

|                  |            |          |       |   |    |    |    |    |    |    |    |    |    |    |    |    |    |    |    |    |    |    |   |   |   |   |   |   |   |   |   |   |   |   |
|------------------|------------|----------|-------|---|----|----|----|----|----|----|----|----|----|----|----|----|----|----|----|----|----|----|---|---|---|---|---|---|---|---|---|---|---|---|
| Bit number       | 31         | 30       | 29    | 28  | 27 | 26 | 25 | 24 | 23 | 22 | 21 | 20 | 19 | 18 | 17 | 16 | 15 | 14 | 13 | 12 | 11 | 10 | 9 | 8 | 7 | 6 | 5 | 4 | 3 | 2 | 1 | 0 |   |   |
| ID               |            |          |       |   |    |    |    |    |    |    |    |    |    |    |    |    | A  | A  | A  | A  | A  | A  | A | A | A | A | A | A | A | A | A | A | A | A |
| Reset 0x00000000 | 0          |          |       |   |    |    |    |    |    |    |    |    |    |    |    |    | 0  | 0  | 0  | 0  | 0  | 0  | 0 | 0 | 0 | 0 | 0 | 0 | 0 | 0 | 0 | 0 | 0 | 0 |
| ID               | Acce Field | Value ID | Value | Description   |    |    |    |    |    |    |    |    |    |    |    |    |    |    |    |    |    |    |   |   |   |   |   |   |   |   |   |   |   |   |
| A                | R          | AMOUNT   |       | Number of 16-bit samples written to output RAM buffer since the previous START task. This register can be read after an END or STOPPED event. |    |    |    |    |    |    |    |    |    |    |    |    |    |    |    |    |    |    |   |   |   |   |   |   |   |   |   |   |   |   |

## 6.23.10 Electrical specification

### 6.23.10.1 SAADC electrical specification

| Symbol                | Description   | Min.  | Typ. | Max. | Units              |
|-----------------------|---|-------|------|------|--------------------|
| DNL <sub>10</sub>     | Differential non-linearity, 10-bit resolution                           | -0.95 | <1   |      | LSB <sub>10b</sub> |
| INL <sub>10</sub>     | Integral non-linearity, 10-bit resolution                               |       | 1    |      | LSB <sub>10b</sub> |
| DNL <sub>12</sub>     | Differential non-linearity, 12-bit resolution                           | -0.95 | 1.3  |      | LSB <sub>12b</sub> |
| INL <sub>12</sub>     | Integral non-linearity, 12-bit resolution                               |       | 4.7  |      | LSB <sub>12b</sub> |
| V <sub>OS</sub>       | Differential offset error (calibrated), 10-bit resolution <sup>26</sup> |       | ±2   |      | LSB <sub>10b</sub> |
| E <sub>VDDHDIV5</sub> | Error on VDDHDIV5 input   |       | ±1   |      | %                  |
| C <sub>EG</sub>       | Gain error temperature coefficient                                      |       | 0.02 |      | %/°C               |
| f <sub>SAMPLE</sub>   | Maximum sampling rate   |       |      | 200  | kHz                |
| t <sub>ACQ,10k</sub>  | Acquisition time (configurable), source resistance ≤ 10 kΩ              |       | 3    |      | μs                 |
| t <sub>ACQ,40k</sub>  | Acquisition time (configurable), source resistance ≤ 40 kΩ              |       | 5    |      | μs                 |
| t <sub>ACQ,100k</sub> | Acquisition time (configurable), source resistance ≤ 100 kΩ             |       | 10   |      | μs                 |
| t <sub>ACQ,200k</sub> | Acquisition time (configurable), source resistance ≤ 200 kΩ             |       | 15   |      | μs                 |
| t <sub>ACQ,400k</sub> | Acquisition time (configurable), source resistance ≤ 400 kΩ             |       | 20   |      | μs                 |
| t <sub>ACQ,800k</sub> | Acquisition time (configurable), source resistance ≤ 800 kΩ             |       | 40   |      | μs                 |
| t <sub>CONV</sub>     | Conversion time   |       | <2   |      | μs                 |
| E <sub>G1/6</sub>     | Error <sup>27</sup> for gain = 1/6                                      | -3    |      | 3    | %                  |
| E <sub>G1/4</sub>     | Error <sup>27</sup> for gain = 1/4                                      | -3    |      | 3    | %                  |
| E <sub>G1/2</sub>     | Error <sup>27</sup> for gain = 1/2                                      | -3    |      | 4    | %                  |
| E <sub>G1</sub>       | Error <sup>27</sup> for gain = 1  | -3    |      | 4    | %                  |
| C <sub>SAMPLE</sub>   | Sample and hold capacitance at maximum gain <sup>28</sup>               |       | 2.5  |      | pF                 |
| R <sub>INPUT</sub>    | Input resistance  |       | >1   |      | MΩ                 |

<sup>26</sup> Digital output code at zero volt differential input.

<sup>27</sup> Does not include temperature drift

<sup>28</sup> Maximum gain corresponds to highest capacitance.

| Symbol              | Description  | Min. | Typ. | Max. | Units |
|---------------------|--|------|------|------|-------|
| E <sub>NOB</sub>    | Effective number of bits, differential mode, 12-bit resolution, 1/1 gain, 3 μs acquisition time, crystal HFCLK, 200 ksp/s                  |      | 9    |      | Bit   |
| S <sub>NDR</sub>    | Peak signal to noise and distortion ratio, differential mode, 12-bit resolution, 1/1 gain, 3 μs acquisition time, crystal HFCLK, 200 ksp/s |      | 56   |      | dB    |
| S <sub>FDR</sub>    | Spurious free dynamic range, differential mode, 12-bit resolution, 1/1 gain, 3 μs acquisition time, crystal HFCLK, 200 ksp/s               |      | 70   |      | dBc   |
| R <sub>LADDER</sub> | Ladder resistance  |      | 160  |      | kΩ    |

## 6.24 SPI — Serial peripheral interface master

The SPI master provides a simple CPU interface which includes a TXD register for sending data and an RXD register for receiving data. This section is added for legacy support for now.

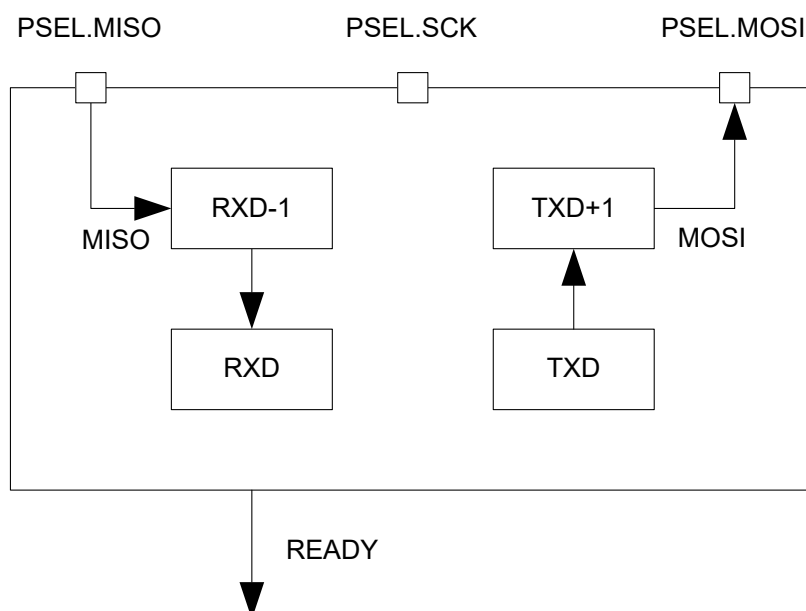


Figure 155: SPI master

RXD-1 and TXD+1 illustrate the double buffered version of RXD and TXD respectively.

### 6.24.1 Functional description

The TXD and RXD registers are double-buffered to enable some degree of uninterrupted data flow in and out of the SPI master.

The SPI master does not implement support for chip select directly. Therefore, the CPU must use available GPIOs to select the correct slave and control this independently of the SPI master. The SPI master supports SPI modes 0 through 3.

| Mode      | Clock polarity | Clock phase     |
|-----------|----------------|-----------------|
|           | CPOL           | CPHA            |
| SPI_MODE0 | 0 (Leading)    | 0 (Active high) |
| SPI_MODE1 | 0 (Leading)    | 1 (Active low)  |
| SPI_MODE2 | 1 (Trailing)   | 0 (Active high) |
| SPI_MODE3 | 1 (Trailing)   | 1 (Active low)  |

Table 101: SPI modes

### 6.24.1.1 SPI master mode pin configuration

The different signals SCK, MOSI, and MISO associated with the SPI master are mapped to physical pins.

This mapping is according to the configuration specified in the PSEL.SCK, PSEL.MOSI, and PSEL.MISO registers respectively. If the CONNECT field of a PSEL.xxx register is set to Disconnected, the associated SPI master signal is not connected to any physical pin. The PSEL.SCK, PSEL.MOSI, and PSEL.MISO registers and their configurations are only used as long as the SPI master is enabled, and retained only as long as the device is in ON mode. PSEL.SCK, PSEL.MOSI, and PSEL.MISO must only be configured when the SPI master is disabled.

To secure correct behavior in the SPI, the pins used by the SPI must be configured in the GPIO peripheral as described in [GPIO configuration](#) on page 403 prior to enabling the SPI. The SCK must always be connected to a pin, and that pin's input buffer must always be connected for the SPI to work. This configuration must be retained in the GPIO for the selected I/Os as long as the SPI is enabled.

Only one peripheral can be assigned to drive a particular GPIO pin at a time. Failing to do so may result in unpredictable behavior.

| SPI master signal | SPI master pin            | Direction | Output value        |
|-------------------|---------------------------|-----------|---------------------|
| SCK               | As specified in PSEL.SCK  | Output    | Same as CONFIG.CPOL |
| MOSI              | As specified in PSEL.MOSI | Output    | 0                   |
| MISO              | As specified in PSEL.MISO | Input     | Not applicable      |

Table 102: GPIO configuration

### 6.24.1.2 Shared resources

The SPI shares registers and other resources with other peripherals that have the same ID as the SPI. Therefore, the user must disable all peripherals that have the same ID as the SPI before the SPI can be configured and used.

Disabling a peripheral that has the same ID as the SPI will not reset any of the registers that are shared with the SPI. It is therefore important to configure all relevant SPI registers explicitly to secure that it operates correctly.

See the Instantiation table in [Instantiation](#) on page 23 for details on peripherals and their IDs.

### 6.24.1.3 SPI master transaction sequence

An SPI master transaction is started by writing the first byte, which is to be transmitted by the SPI master, to the TXD register.

Since the transmitter is double buffered, the second byte can be written to the TXD register immediately after the first one. The SPI master will then send these bytes in the order they are written to the TXD register.

The SPI master is a synchronous interface, and for every byte that is sent, a different byte will be received at the same time. This is illustrated in [SPI master transaction](#) on page 404. Bytes that are received will be moved to the RXD register where the CPU can extract them by reading the register. The RXD register is double buffered in the same way as the TXD register, and a second byte can therefore be received at the

same time as the first byte is being extracted from RXD by the CPU. The SPI master will generate a READY event every time a new byte is moved to the RXD register. The double buffered byte will be moved from RXD-1 to RXD as soon as the first byte is extracted from RXD. The SPI master will stop when there are no more bytes to send in TXD and TXD+1.

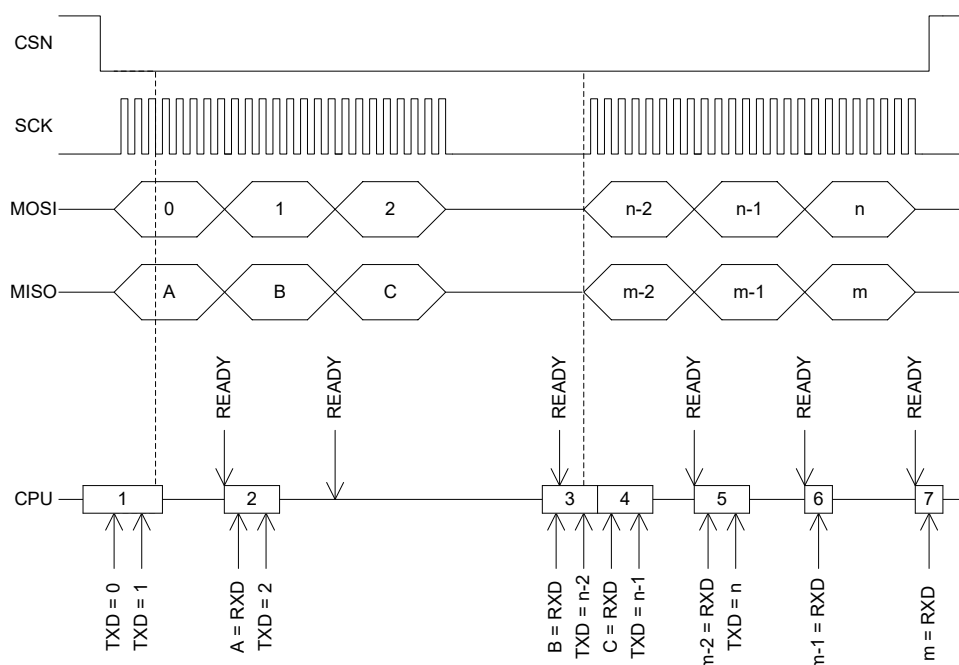


Figure 156: SPI master transaction

The READY event of the third byte transaction is delayed until B is extracted from RXD in occurrence number 3 on the horizontal lifeline. The reason for this is that the third event is generated first when C is moved from RXD-1 to RXD after B is read.

The SPI master will move the incoming byte to the RXD register after a short delay following the SCK clock period of the last bit in the byte. This also means that the READY event will be delayed accordingly, see [SPI master transaction](#) on page 405. Therefore, it is important that you always clear the READY event, even if the RXD register and the data that is being received is not used.



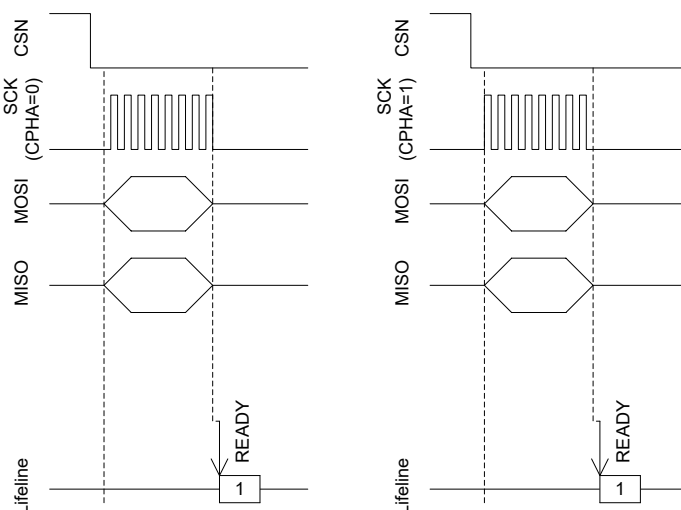


Figure 157: SPI master transaction

## 6.24.2 Registers

| Base address | Peripheral | Instance | Description  | Configuration |
|--------------|------------|----------|--------------|---------------|
| 0x40003000   | SPI        | SPI0     | SPI master 0 | Deprecated    |
| 0x40004000   | SPI        | SPI1     | SPI master 1 | Deprecated    |
| 0x40023000   | SPI        | SPI2     | SPI master 2 | Deprecated    |

Table 103: Instances

| Register     | Offset | Description   |
|--------------|--------|---|
| EVENTS_READY | 0x108  | TXD byte sent and RXD byte received                           |
| INTENSET     | 0x304  | Enable interrupt  |
| INTENCLR     | 0x308  | Disable interrupt   |
| ENABLE       | 0x500  | Enable SPI  |
| PSEL_SCK     | 0x508  | Pin select for SCK  |
| PSEL_MOSI    | 0x50C  | Pin select for MOSI signal                                    |
| PSEL_MISO    | 0x510  | Pin select for MISO signal                                    |
| RXD          | 0x518  | RXD register  |
| TXD          | 0x51C  | TXD register  |
| FREQUENCY    | 0x524  | SPI frequency. Accuracy depends on the HFCLK source selected. |
| CONFIG       | 0x554  | Configuration register  |

Table 104: Register overview

### 6.24.2.1 EVENTS\_READY

Address offset: 0x108

TXD byte sent and RXD byte received

| Bit number | 31              | 30           | 29    | 28                                  | 27 | 26 | 25 | 24 | 23 | 22 | 21 | 20 | 19 | 18 | 17 | 16 | 15 | 14 | 13 | 12 | 11 | 10 | 9 | 8 | 7 | 6 | 5 | 4 | 3 | 2 | 1 | 0 |   |
|------------|-----------------|--------------|-------|-------------------------------------|----|----|----|----|----|----|----|----|----|----|----|----|----|----|----|----|----|----|---|---|---|---|---|---|---|---|---|---|---|
| ID         |                 |              |       |                                     |    |    |    |    |    |    |    |    |    |    |    |    |    |    |    |    |    |    |   |   |   |   |   |   |   |   |   | A |   |
| Reset      | 0x00000000      |              |       |                                     |    |    |    |    |    |    |    |    |    |    |    |    |    |    |    |    |    |    |   |   |   |   |   |   |   |   |   |   |   |
| 0          | 0               | 0            | 0     | 0                                   | 0  | 0  | 0  | 0  | 0  | 0  | 0  | 0  | 0  | 0  | 0  | 0  | 0  | 0  | 0  | 0  | 0  | 0  | 0 | 0 | 0 | 0 | 0 | 0 | 0 | 0 | 0 | 0 | 0 |
| ID         | Acce Field      | Value ID     | Value | Description                         |    |    |    |    |    |    |    |    |    |    |    |    |    |    |    |    |    |    |   |   |   |   |   |   |   |   |   |   |   |
| A          | RW EVENTS_READY |              |       | TXD byte sent and RXD byte received |    |    |    |    |    |    |    |    |    |    |    |    |    |    |    |    |    |    |   |   |   |   |   |   |   |   |   |   |   |
|            |                 | NotGenerated | 0     | Event not generated                 |    |    |    |    |    |    |    |    |    |    |    |    |    |    |    |    |    |    |   |   |   |   |   |   |   |   |   |   |   |
|            |                 | Generated    | 1     | Event generated                     |    |    |    |    |    |    |    |    |    |    |    |    |    |    |    |    |    |    |   |   |   |   |   |   |   |   |   |   |   |

### 6.24.2.2 INTENSET

Address offset: 0x304

Enable interrupt

| Bit number | 31         | 30       | 29    | 28  | 27 | 26 | 25 | 24 | 23 | 22 | 21 | 20 | 19 | 18 | 17 | 16 | 15 | 14 | 13 | 12 | 11 | 10 | 9 | 8 | 7 | 6 | 5 | 4 | 3 | 2 | 1 | 0 |
|------------|------------|----------|-------|---|----|----|----|----|----|----|----|----|----|----|----|----|----|----|----|----|----|----|---|---|---|---|---|---|---|---|---|---|
| ID         |            |          |       |   |    |    |    |    |    |    |    |    |    |    |    |    |    |    |    |    |    |    |   |   |   |   |   |   |   |   |   | A |
| Reset      | 0x00000000 |          |       |   |    |    |    |    |    |    |    |    |    |    |    |    |    |    |    |    |    |    |   |   |   |   |   |   |   |   |   |   |
| 0          | 0          | 0        | 0     | 0   | 0  | 0  | 0  | 0  | 0  | 0  | 0  | 0  | 0  | 0  | 0  | 0  | 0  | 0  | 0  | 0  | 0  | 0  | 0 | 0 | 0 | 0 | 0 | 0 | 0 | 0 | 0 | 0 |
| ID         | Acce Field | Value ID | Value | Description                                   |    |    |    |    |    |    |    |    |    |    |    |    |    |    |    |    |    |    |   |   |   |   |   |   |   |   |   |   |
| A          | RW READY   |          |       | Write '1' to enable interrupt for event READY |    |    |    |    |    |    |    |    |    |    |    |    |    |    |    |    |    |    |   |   |   |   |   |   |   |   |   |   |
|            |            | Set      | 1     | Enable  |    |    |    |    |    |    |    |    |    |    |    |    |    |    |    |    |    |    |   |   |   |   |   |   |   |   |   |   |
|            |            | Disabled | 0     | Read: Disabled                                |    |    |    |    |    |    |    |    |    |    |    |    |    |    |    |    |    |    |   |   |   |   |   |   |   |   |   |   |
|            |            | Enabled  | 1     | Read: Enabled                                 |    |    |    |    |    |    |    |    |    |    |    |    |    |    |    |    |    |    |   |   |   |   |   |   |   |   |   |   |

### 6.24.2.3 INTENCLR

Address offset: 0x308

Disable interrupt

| Bit number | 31         | 30       | 29    | 28   | 27 | 26 | 25 | 24 | 23 | 22 | 21 | 20 | 19 | 18 | 17 | 16 | 15 | 14 | 13 | 12 | 11 | 10 | 9 | 8 | 7 | 6 | 5 | 4 | 3 | 2 | 1 | 0 |
|------------|------------|----------|-------|--|----|----|----|----|----|----|----|----|----|----|----|----|----|----|----|----|----|----|---|---|---|---|---|---|---|---|---|---|
| ID         |            |          |       |  |    |    |    |    |    |    |    |    |    |    |    |    |    |    |    |    |    |    |   |   |   |   |   |   |   |   |   | A |
| Reset      | 0x00000000 |          |       |  |    |    |    |    |    |    |    |    |    |    |    |    |    |    |    |    |    |    |   |   |   |   |   |   |   |   |   |   |
| 0          | 0          | 0        | 0     | 0  | 0  | 0  | 0  | 0  | 0  | 0  | 0  | 0  | 0  | 0  | 0  | 0  | 0  | 0  | 0  | 0  | 0  | 0  | 0 | 0 | 0 | 0 | 0 | 0 | 0 | 0 | 0 | 0 |
| ID         | Acce Field | Value ID | Value | Description                                    |    |    |    |    |    |    |    |    |    |    |    |    |    |    |    |    |    |    |   |   |   |   |   |   |   |   |   |   |
| A          | RW READY   |          |       | Write '1' to disable interrupt for event READY |    |    |    |    |    |    |    |    |    |    |    |    |    |    |    |    |    |    |   |   |   |   |   |   |   |   |   |   |
|            |            | Clear    | 1     | Disable  |    |    |    |    |    |    |    |    |    |    |    |    |    |    |    |    |    |    |   |   |   |   |   |   |   |   |   |   |
|            |            | Disabled | 0     | Read: Disabled                                 |    |    |    |    |    |    |    |    |    |    |    |    |    |    |    |    |    |    |   |   |   |   |   |   |   |   |   |   |
|            |            | Enabled  | 1     | Read: Enabled                                  |    |    |    |    |    |    |    |    |    |    |    |    |    |    |    |    |    |    |   |   |   |   |   |   |   |   |   |   |

### 6.24.2.4 ENABLE

Address offset: 0x500

Enable SPI

| Bit number | 31         | 30       | 29    | 28                    | 27 | 26 | 25 | 24 | 23 | 22 | 21 | 20 | 19 | 18 | 17 | 16 | 15 | 14 | 13 | 12 | 11 | 10 | 9 | 8 | 7 | 6 | 5 | 4 | 3 | 2 | 1 | 0       |
|------------|------------|----------|-------|-----------------------|----|----|----|----|----|----|----|----|----|----|----|----|----|----|----|----|----|----|---|---|---|---|---|---|---|---|---|---------|
| ID         |            |          |       |                       |    |    |    |    |    |    |    |    |    |    |    |    |    |    |    |    |    |    |   |   |   |   |   |   |   |   |   | A A A A |
| Reset      | 0x00000000 |          |       |                       |    |    |    |    |    |    |    |    |    |    |    |    |    |    |    |    |    |    |   |   |   |   |   |   |   |   |   |         |
| 0          | 0          | 0        | 0     | 0                     | 0  | 0  | 0  | 0  | 0  | 0  | 0  | 0  | 0  | 0  | 0  | 0  | 0  | 0  | 0  | 0  | 0  | 0  | 0 | 0 | 0 | 0 | 0 | 0 | 0 | 0 | 0 | 0       |
| ID         | Acce Field | Value ID | Value | Description           |    |    |    |    |    |    |    |    |    |    |    |    |    |    |    |    |    |    |   |   |   |   |   |   |   |   |   |         |
| A          | RW ENABLE  |          |       | Enable or disable SPI |    |    |    |    |    |    |    |    |    |    |    |    |    |    |    |    |    |    |   |   |   |   |   |   |   |   |   |         |
|            |            | Disabled | 0     | Disable SPI           |    |    |    |    |    |    |    |    |    |    |    |    |    |    |    |    |    |    |   |   |   |   |   |   |   |   |   |         |
|            |            | Enabled  | 1     | Enable SPI            |    |    |    |    |    |    |    |    |    |    |    |    |    |    |    |    |    |    |   |   |   |   |   |   |   |   |   |         |

### 6.24.2.5 PSEL.SCK

Address offset: 0x508

## Pin select for SCK

| Bit number              | 31 30 29 28 27 26 25 24 23 22 21 20 19 18 17 16 15 14 13 12 11 10 9 8 7 6 5 4 3 2 1 0 |              |         |             |  |  |  |  |  |  |  |  |  |  |  |  |  |  |  |  |  |  |  |  |  |  |  |  |  |  |  |
|-------------------------|---|--------------|---------|-------------|--|--|--|--|--|--|--|--|--|--|--|--|--|--|--|--|--|--|--|--|--|--|--|--|--|--|--|
| ID                      | C   |              |         |             |  |  |  |  |  |  |  |  |  |  |  |  |  |  |  |  |  |  |  |  |  |  |  |  |  |  |  |
| <b>Reset 0xFFFFFFFF</b> | <b>1 1</b>      |              |         |             |  |  |  |  |  |  |  |  |  |  |  |  |  |  |  |  |  |  |  |  |  |  |  |  |  |  |  |
| ID                      | Acce Field  | Value ID     | Value   | Description |  |  |  |  |  |  |  |  |  |  |  |  |  |  |  |  |  |  |  |  |  |  |  |  |  |  |  |
| A                       | RW PIN  |              | [0..31] | Pin number  |  |  |  |  |  |  |  |  |  |  |  |  |  |  |  |  |  |  |  |  |  |  |  |  |  |  |  |
| B                       | RW PORT   |              | [0..1]  | Port number |  |  |  |  |  |  |  |  |  |  |  |  |  |  |  |  |  |  |  |  |  |  |  |  |  |  |  |
| C                       | RW CONNECT  |              |         | Connection  |  |  |  |  |  |  |  |  |  |  |  |  |  |  |  |  |  |  |  |  |  |  |  |  |  |  |  |
|                         |   | Disconnected | 1       | Disconnect  |  |  |  |  |  |  |  |  |  |  |  |  |  |  |  |  |  |  |  |  |  |  |  |  |  |  |  |
|                         |   | Connected    | 0       | Connect     |  |  |  |  |  |  |  |  |  |  |  |  |  |  |  |  |  |  |  |  |  |  |  |  |  |  |  |

## 6.24.2.6 PSEL.MOSI

Address offset: 0x50C

## Pin select for MOSI signal

| Bit number              | 31 30 29 28 27 26 25 24 23 22 21 20 19 18 17 16 15 14 13 12 11 10 9 8 7 6 5 4 3 2 1 0 |              |         |             |  |  |  |  |  |  |  |  |  |  |  |  |  |  |  |  |  |  |  |  |  |  |  |  |  |  |  |
|-------------------------|---|--------------|---------|-------------|--|--|--|--|--|--|--|--|--|--|--|--|--|--|--|--|--|--|--|--|--|--|--|--|--|--|--|
| ID                      | C   |              |         |             |  |  |  |  |  |  |  |  |  |  |  |  |  |  |  |  |  |  |  |  |  |  |  |  |  |  |  |
| <b>Reset 0xFFFFFFFF</b> | <b>1 1</b>      |              |         |             |  |  |  |  |  |  |  |  |  |  |  |  |  |  |  |  |  |  |  |  |  |  |  |  |  |  |  |
| ID                      | Acce Field  | Value ID     | Value   | Description |  |  |  |  |  |  |  |  |  |  |  |  |  |  |  |  |  |  |  |  |  |  |  |  |  |  |  |
| A                       | RW PIN  |              | [0..31] | Pin number  |  |  |  |  |  |  |  |  |  |  |  |  |  |  |  |  |  |  |  |  |  |  |  |  |  |  |  |
| B                       | RW PORT   |              | [0..1]  | Port number |  |  |  |  |  |  |  |  |  |  |  |  |  |  |  |  |  |  |  |  |  |  |  |  |  |  |  |
| C                       | RW CONNECT  |              |         | Connection  |  |  |  |  |  |  |  |  |  |  |  |  |  |  |  |  |  |  |  |  |  |  |  |  |  |  |  |
|                         |   | Disconnected | 1       | Disconnect  |  |  |  |  |  |  |  |  |  |  |  |  |  |  |  |  |  |  |  |  |  |  |  |  |  |  |  |
|                         |   | Connected    | 0       | Connect     |  |  |  |  |  |  |  |  |  |  |  |  |  |  |  |  |  |  |  |  |  |  |  |  |  |  |  |

## 6.24.2.7 PSEL.MISO

Address offset: 0x510

## Pin select for MISO signal

| Bit number              | 31 30 29 28 27 26 25 24 23 22 21 20 19 18 17 16 15 14 13 12 11 10 9 8 7 6 5 4 3 2 1 0 |              |         |             |  |  |  |  |  |  |  |  |  |  |  |  |  |  |  |  |  |  |  |  |  |  |  |  |  |  |  |
|-------------------------|---|--------------|---------|-------------|--|--|--|--|--|--|--|--|--|--|--|--|--|--|--|--|--|--|--|--|--|--|--|--|--|--|--|
| ID                      | C   |              |         |             |  |  |  |  |  |  |  |  |  |  |  |  |  |  |  |  |  |  |  |  |  |  |  |  |  |  |  |
| <b>Reset 0xFFFFFFFF</b> | <b>1 1</b>      |              |         |             |  |  |  |  |  |  |  |  |  |  |  |  |  |  |  |  |  |  |  |  |  |  |  |  |  |  |  |
| ID                      | Acce Field  | Value ID     | Value   | Description |  |  |  |  |  |  |  |  |  |  |  |  |  |  |  |  |  |  |  |  |  |  |  |  |  |  |  |
| A                       | RW PIN  |              | [0..31] | Pin number  |  |  |  |  |  |  |  |  |  |  |  |  |  |  |  |  |  |  |  |  |  |  |  |  |  |  |  |
| B                       | RW PORT   |              | [0..1]  | Port number |  |  |  |  |  |  |  |  |  |  |  |  |  |  |  |  |  |  |  |  |  |  |  |  |  |  |  |
| C                       | RW CONNECT  |              |         | Connection  |  |  |  |  |  |  |  |  |  |  |  |  |  |  |  |  |  |  |  |  |  |  |  |  |  |  |  |
|                         |   | Disconnected | 1       | Disconnect  |  |  |  |  |  |  |  |  |  |  |  |  |  |  |  |  |  |  |  |  |  |  |  |  |  |  |  |
|                         |   | Connected    | 0       | Connect     |  |  |  |  |  |  |  |  |  |  |  |  |  |  |  |  |  |  |  |  |  |  |  |  |  |  |  |

## 6.24.2.8 RXD

Address offset: 0x518

## RXD register

| Bit number              | 31   | 30    | 29       | 28    | 27                                | 26 | 25 | 24 | 23 | 22 | 21 | 20 | 19 | 18 | 17 | 16 | 15 | 14 | 13 | 12 | 11 | 10 | 9 | 8 | 7 | 6 | 5 | 4 | 3 | 2 | 1 | 0 |   |   |   |   |   |   |   |   |   |   |   |   |   |   |   |   |   |   |   |   |   |   |   |   |
|-------------------------|------|-------|----------|-------|-----------------------------------|----|----|----|----|----|----|----|----|----|----|----|----|----|----|----|----|----|---|---|---|---|---|---|---|---|---|---|---|---|---|---|---|---|---|---|---|---|---|---|---|---|---|---|---|---|---|---|---|---|---|---|
| ID                      |      |       |          |       |                                   |    |    |    |    |    |    |    |    |    |    |    |    |    |    |    |    |    |   |   |   |   | A | A | A | A | A | A | A | A | A | A | A | A | A | A | A | A | A | A | A | A | A | A | A | A | A | A | A | A | A |   |
| <b>Reset 0x00000000</b> |      |       |          |       |                                   |    |    |    |    |    |    |    |    |    |    |    |    |    |    |    |    |    |   |   |   |   | 0 | 0 | 0 | 0 | 0 | 0 | 0 | 0 | 0 | 0 | 0 | 0 | 0 | 0 | 0 | 0 | 0 | 0 | 0 | 0 | 0 | 0 | 0 | 0 | 0 | 0 | 0 | 0 | 0 | 0 |
| ID                      | Acce | Field | Value ID | Value | Description                       |    |    |    |    |    |    |    |    |    |    |    |    |    |    |    |    |    |   |   |   |   |   |   |   |   |   |   |   |   |   |   |   |   |   |   |   |   |   |   |   |   |   |   |   |   |   |   |   |   |   |   |
| A                       | R    |       | RXD      |       | RX data received. Double buffered |    |    |    |    |    |    |    |    |    |    |    |    |    |    |    |    |    |   |   |   |   |   |   |   |   |   |   |   |   |   |   |   |   |   |   |   |   |   |   |   |   |   |   |   |   |   |   |   |   |   |   |

### 6.24.2.9 TXD

Address offset: 0x51C

TXD register

| Bit number              | 31   | 30    | 29       | 28    | 27                                | 26 | 25 | 24 | 23 | 22 | 21 | 20 | 19 | 18 | 17 | 16 | 15 | 14 | 13 | 12 | 11 | 10 | 9 | 8 | 7 | 6 | 5 | 4 | 3 | 2 | 1 | 0 |   |   |   |   |   |   |   |   |   |   |   |   |   |   |   |   |   |   |   |   |   |   |   |   |
|-------------------------|------|-------|----------|-------|-----------------------------------|----|----|----|----|----|----|----|----|----|----|----|----|----|----|----|----|----|---|---|---|---|---|---|---|---|---|---|---|---|---|---|---|---|---|---|---|---|---|---|---|---|---|---|---|---|---|---|---|---|---|---|
| ID                      |      |       |          |       |                                   |    |    |    |    |    |    |    |    |    |    |    |    |    |    |    |    |    |   |   |   |   | A | A | A | A | A | A | A | A | A | A | A | A | A | A | A | A | A | A | A | A | A | A | A | A | A | A | A | A | A |   |
| <b>Reset 0x00000000</b> |      |       |          |       |                                   |    |    |    |    |    |    |    |    |    |    |    |    |    |    |    |    |    |   |   |   |   | 0 | 0 | 0 | 0 | 0 | 0 | 0 | 0 | 0 | 0 | 0 | 0 | 0 | 0 | 0 | 0 | 0 | 0 | 0 | 0 | 0 | 0 | 0 | 0 | 0 | 0 | 0 | 0 | 0 | 0 |
| ID                      | Acce | Field | Value ID | Value | Description                       |    |    |    |    |    |    |    |    |    |    |    |    |    |    |    |    |    |   |   |   |   |   |   |   |   |   |   |   |   |   |   |   |   |   |   |   |   |   |   |   |   |   |   |   |   |   |   |   |   |   |   |
| A                       | RW   |       | TXD      |       | TX data to send. Double buffered. |    |    |    |    |    |    |    |    |    |    |    |    |    |    |    |    |    |   |   |   |   |   |   |   |   |   |   |   |   |   |   |   |   |   |   |   |   |   |   |   |   |   |   |   |   |   |   |   |   |   |   |

### 6.24.2.10 FREQUENCY

Address offset: 0x524

SPI frequency. Accuracy depends on the HFCLK source selected.

| Bit number              | 31   | 30        | 29       | 28         | 27                   | 26 | 25 | 24 | 23 | 22 | 21 | 20 | 19 | 18 | 17 | 16 | 15 | 14 | 13 | 12 | 11 | 10 | 9 | 8 | 7 | 6 | 5 | 4 | 3 | 2 | 1 | 0 |
|-------------------------|------|-----------|----------|------------|----------------------|----|----|----|----|----|----|----|----|----|----|----|----|----|----|----|----|----|---|---|---|---|---|---|---|---|---|---|
| ID                      | A    | A         | A        | A          | A                    | A  | A  | A  | A  | A  | A  | A  | A  | A  | A  | A  | A  | A  | A  | A  | A  | A  | A | A | A | A | A | A | A | A | A | A |
| <b>Reset 0x04000000</b> | 0    | 0         | 0        | 0          | 0                    | 1  | 0  | 0  | 0  | 0  | 0  | 0  | 0  | 0  | 0  | 0  | 0  | 0  | 0  | 0  | 0  | 0  | 0 | 0 | 0 | 0 | 0 | 0 | 0 | 0 | 0 |   |
| ID                      | Acce | Field     | Value ID | Value      | Description          |    |    |    |    |    |    |    |    |    |    |    |    |    |    |    |    |    |   |   |   |   |   |   |   |   |   |   |
| A                       | RW   | FREQUENCY |          |            | SPI master data rate |    |    |    |    |    |    |    |    |    |    |    |    |    |    |    |    |    |   |   |   |   |   |   |   |   |   |   |
|                         |      |           | K125     | 0x02000000 | 125 kbps             |    |    |    |    |    |    |    |    |    |    |    |    |    |    |    |    |    |   |   |   |   |   |   |   |   |   |   |
|                         |      |           | K250     | 0x04000000 | 250 kbps             |    |    |    |    |    |    |    |    |    |    |    |    |    |    |    |    |    |   |   |   |   |   |   |   |   |   |   |
|                         |      |           | K500     | 0x08000000 | 500 kbps             |    |    |    |    |    |    |    |    |    |    |    |    |    |    |    |    |    |   |   |   |   |   |   |   |   |   |   |
|                         |      |           | M1       | 0x10000000 | 1 Mbps               |    |    |    |    |    |    |    |    |    |    |    |    |    |    |    |    |    |   |   |   |   |   |   |   |   |   |   |
|                         |      |           | M2       | 0x20000000 | 2 Mbps               |    |    |    |    |    |    |    |    |    |    |    |    |    |    |    |    |    |   |   |   |   |   |   |   |   |   |   |
|                         |      |           | M4       | 0x40000000 | 4 Mbps               |    |    |    |    |    |    |    |    |    |    |    |    |    |    |    |    |    |   |   |   |   |   |   |   |   |   |   |
|                         |      |           | M8       | 0x80000000 | 8 Mbps               |    |    |    |    |    |    |    |    |    |    |    |    |    |    |    |    |    |   |   |   |   |   |   |   |   |   |   |

### 6.24.2.11 CONFIG

Address offset: 0x554

Configuration register

| Bit number       |        | 31 30 29 28 27 26 25 24 23 22 21 20 19 18 17 16 15 14 13 12 11 10 9 8 7 6 5 4 3 2 1 0 |            |       |   |  |  |  |  |  |  |  |  |  |  |  |  |  |  |  |  |  |  |  |  |  |  |  |  |  |   |   |   |
|------------------|--------|---|------------|-------|---|--|--|--|--|--|--|--|--|--|--|--|--|--|--|--|--|--|--|--|--|--|--|--|--|--|---|---|---|
| ID               |        |   |            |       |   |  |  |  |  |  |  |  |  |  |  |  |  |  |  |  |  |  |  |  |  |  |  |  |  |  | C | B | A |
| Reset 0x00000000 |        | 0             |            |       |   |  |  |  |  |  |  |  |  |  |  |  |  |  |  |  |  |  |  |  |  |  |  |  |  |  |   |   |   |
| ID               | Access | Field   | Value ID   | Value | Description   |  |  |  |  |  |  |  |  |  |  |  |  |  |  |  |  |  |  |  |  |  |  |  |  |  |   |   |   |
| A                | RW     | ORDER   | MsbFirst   | 0     | Most significant bit shifted out first                              |  |  |  |  |  |  |  |  |  |  |  |  |  |  |  |  |  |  |  |  |  |  |  |  |  |   |   |   |
|                  |        |   | LsbFirst   | 1     | Least significant bit shifted out first                             |  |  |  |  |  |  |  |  |  |  |  |  |  |  |  |  |  |  |  |  |  |  |  |  |  |   |   |   |
| B                | RW     | CPHA  | Leading    | 0     | Sample on leading edge of clock, shift serial data on trailing edge |  |  |  |  |  |  |  |  |  |  |  |  |  |  |  |  |  |  |  |  |  |  |  |  |  |   |   |   |
|                  |        |   | Trailing   | 1     | Sample on trailing edge of clock, shift serial data on leading edge |  |  |  |  |  |  |  |  |  |  |  |  |  |  |  |  |  |  |  |  |  |  |  |  |  |   |   |   |
| C                | RW     | CPOL  | ActiveHigh | 0     | Active high   |  |  |  |  |  |  |  |  |  |  |  |  |  |  |  |  |  |  |  |  |  |  |  |  |  |   |   |   |
|                  |        |   | ActiveLow  | 1     | Active low  |  |  |  |  |  |  |  |  |  |  |  |  |  |  |  |  |  |  |  |  |  |  |  |  |  |   |   |   |

## 6.24.3 Electrical specification

### 6.24.3.1 SPI master interface electrical specifications

| Symbol                 | Description  | Min. | Typ. | Max.     | Units         |
|------------------------|--|------|------|----------|---------------|
| $f_{\text{SPI}}$       | Bit rates for SPI <sup>29</sup>                        |      |      | $g^{30}$ | Mbps          |
| $t_{\text{SPI,START}}$ | Time from writing TXD register to transmission started |      | 1    |          | $\mu\text{s}$ |

### 6.24.3.2 Serial Peripheral Interface (SPI) Master timing specifications

| Symbol                   | Description                                 | Min.                  | Typ. | Max.                         | Units |
|--------------------------|---|-----------------------|------|------------------------------|-------|
| $t_{\text{SPI,CCLK}}$    | SCK period                                  | 125                   |      |                              | ns    |
| $t_{\text{SPI,RSCK,LD}}$ | SCK rise time, standard drive <sup>31</sup> |                       |      | $t_{\text{RF},25\text{pF}}$  |       |
| $t_{\text{SPI,RSCK,HD}}$ | SCK rise time, high drive <sup>31</sup>     |                       |      | $t_{\text{HRF},25\text{pF}}$ |       |
| $t_{\text{SPI,FSCK,LD}}$ | SCK fall time, standard drive <sup>31</sup> |                       |      | $t_{\text{RF},25\text{pF}}$  |       |
| $t_{\text{SPI,FSCK,HD}}$ | SCK fall time, high drive <sup>31</sup>     |                       |      | $t_{\text{HRF},25\text{pF}}$ |       |
| $t_{\text{SPI,WHSCCK}}$  | SCK high time <sup>31</sup>                 | $(t_{\text{CCLK}}/2)$ |      |                              |       |
|                          |   |                       |      | $-t_{\text{RSCK}}$           |       |
| $t_{\text{SPI,WLSCCK}}$  | SCK low time <sup>31</sup>                  | $(t_{\text{CCLK}}/2)$ |      |                              |       |
|                          |   |                       |      | $-t_{\text{FSCK}}$           |       |
| $t_{\text{SPI,SUMI}}$    | MISO to CLK edge setup time                 | 19                    |      |                              | ns    |
| $t_{\text{SPI,HMI}}$     | CLK edge to MISO hold time                  | 18                    |      |                              | ns    |
| $t_{\text{SPI,VMO}}$     | CLK edge to MOSI valid                      |                       |      | 59                           | ns    |
| $t_{\text{SPI,HMO}}$     | MOSI hold time after CLK edge               | 20                    |      |                              | ns    |

<sup>29</sup> High bit rates may require GPIOs to be set as High Drive, see GPIO chapter for more details.

<sup>30</sup> The actual maximum data rate depends on the slave's CLK to MISO and MOSI setup and hold timings.

<sup>31</sup> At 25 pF load, including GPIO capacitance, see [GPIO electrical specification](#).

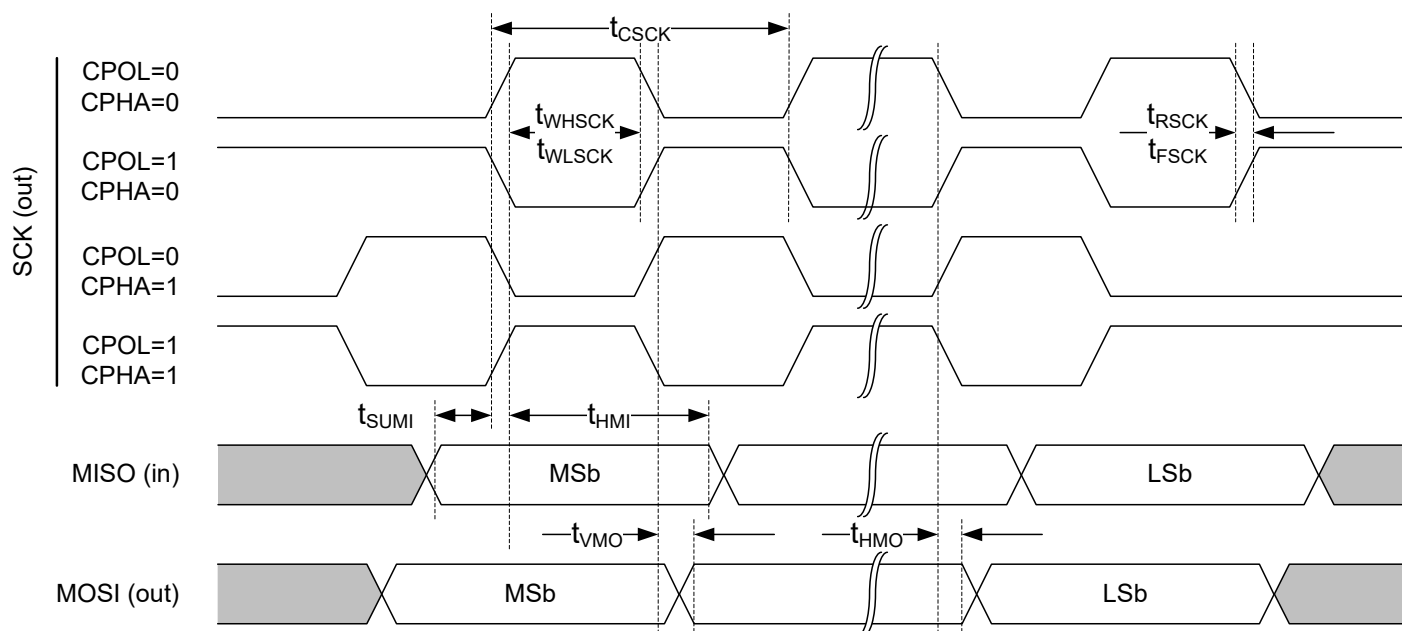


Figure 158: SPI master timing diagram

## 6.25 SPIM — Serial peripheral interface master with EasyDMA

The SPI master can communicate with multiple SPI slaves using individual chip select signals for each slave.

Listed here are the main features for the SPIM:

- EasyDMA direct transfer to/from RAM
- SPI mode 0-3
- Individual selection of I/O pins
- Optional D/CX output line for distinguishing between command and data bytes

### 6.25.1 SPI master transaction sequence

An SPI master transaction is started by triggering the START task. When started, a number of bytes will be transmitted/received on MOSI/MISO.

The following figure illustrates an SPI master transaction.

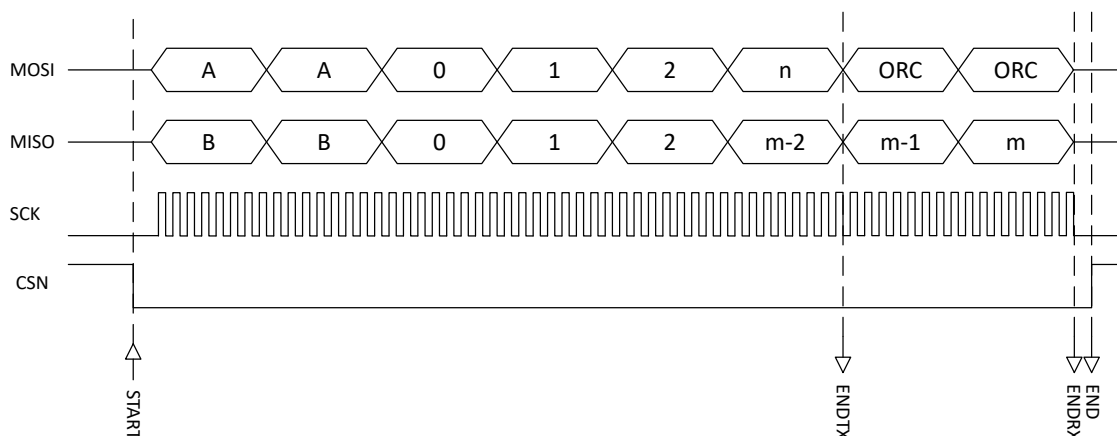


Figure 159: SPI master transaction

The ENDTX is generated when all bytes in buffer `TXD.PTR` on page 421 are transmitted. The number of bytes in the transmit buffer is specified in register `TXD.MAXCNT` on page 421. The ENDRX event will be generated when buffer `RXD.PTR` on page 420 is full, meaning the number of bytes specified in register `RXD.MAXCNT` on page 420 have been received. The transaction stops automatically after all bytes have been transmitted/received. When the maximum number of bytes in the receive buffer is larger than the number of bytes in the transmit buffer, the contents of register `ORC` on page 424 will be transmitted after the last byte in the transmit buffer has been transmitted.

The END event will be generated after both the ENDRX and ENDTX events have been generated.

The SPI master can be stopped in the middle of a transaction by triggering the STOP task. When triggering the STOP task, SPIM will complete the transmission/reception of the current byte before stopping. A STOPPED event is generated when the SPI master has stopped.

If the ENDTX event has not already been generated when the SPI master has come to a stop, the ENDTX event will be generated even if all bytes in the buffer `TXD.PTR` on page 421 have not been transmitted.

If the ENDRX event has not already been generated when the SPI master has come to a stop, the ENDRX event will be generated even if the buffer `RXD.PTR` on page 420 is not full.

A transaction can be suspended and resumed using the SUSPEND and RESUME tasks. When the SUSPEND task is triggered, the SPI master will complete transmitting and receiving the current ongoing byte before it is suspended.

### 6.25.2 D/CX functionality

Some SPI slaves, for example display drivers, require an additional signal from the SPI master to distinguish between command and data bytes. For display drivers this line is often called D/CX.

SPIM provides support for such a D/CX output line. The D/CX line is set low during transmission of command bytes and high during transmission of data bytes.

The D/CX pin number is selected using `PSELDCX` on page 423 and the number of command bytes preceding the data bytes is configured using `DCXCNT` on page 424.

It is not allowed to write to the `DCXCNT` on page 424 during an ongoing transmission.

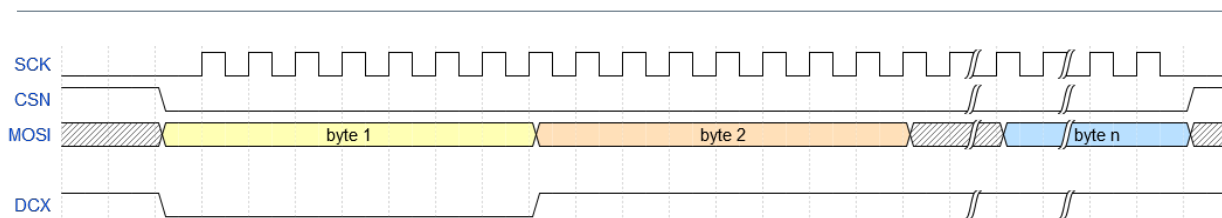


Figure 160: D/CX example. SPIM.DCXCNT = 1.

### 6.25.3 Pin configuration

The SCK, CSN, DCX, MOSI, and MISO signals associated with SPIM are mapped to physical pins according to the configuration specified in the PSEL.n registers.

The contents of registers [PSEL.SCK](#) on page 419, [PSEL.CSN](#) on page 420, [PSELDCX](#) on page 423, [PSEL.MOSI](#) on page 419, and [PSEL.MISO](#) on page 419 are only used when SPIM is enabled, and retained only as long as the device is in System ON mode. The PSEL.n registers can only be configured when SPIM is disabled. Enabling/disabling is done using register [ENABLE](#) on page 418.

To ensure correct behavior, the pins used by SPIM must be configured in the GPIO peripheral as described in [GPIO configuration](#) on page 412 before SPIM is enabled.

Only one peripheral can be assigned to drive a particular GPIO pin at a time. Failing to do so may result in unpredictable behavior.

| SPI master signal | SPI master pin  | Direction | Output value        | Comments |
|-------------------|---|-----------|---------------------|----------|
| SCK               | As specified in <a href="#">PSEL.SCK</a> on page 419  | Output    | Same as CONFIG.CPOL |          |
| CSN               | As specified in <a href="#">PSEL.CSN</a> on page 420  | Output    | Same as CONFIG.CPOL |          |
| DCX               | As specified in <a href="#">PSELDCX</a> on page 423   | Output    | 1                   |          |
| MOSI              | As specified in <a href="#">PSEL.MOSI</a> on page 419 | Output    | 0                   |          |
| MISO              | As specified in <a href="#">PSEL.MISO</a> on page 419 | Input     | Not applicable      |          |

Table 105: GPIO configuration

Some SPIM instances do not support automatic control of CSN, and for those the available GPIO pins need to be used to control CSN directly. See [Instances](#) on page 413 for information about what features are supported in the various SPIM instances.

SPIM supports SPI modes 0 through 3. The clock polarity (CPOL) and the clock phase (CPHA) are configured in register [CONFIG](#) on page 422.

| Mode      | Clock polarity  | Clock phase  |
|-----------|-----------------|--------------|
|           | CPOL            | CPHA         |
| SPI_MODE0 | 0 (Active High) | 0 (Leading)  |
| SPI_MODE1 | 0 (Active High) | 1 (Trailing) |
| SPI_MODE2 | 1 (Active Low)  | 0 (Leading)  |
| SPI_MODE3 | 1 (Active Low)  | 1 (Trailing) |

Table 106: SPI modes

### 6.25.4 EasyDMA

SPIM implements EasyDMA for accessing RAM without CPU involvement.



The SPIM peripheral implements the following EasyDMA channels.

| Channel | Type   | Register Cluster |
|---------|--------|------------------|
| TXD     | READER | TXD              |
| RXD     | WRITER | RXD              |

Table 107: SPIM EasyDMA Channels

For detailed information regarding the use of EasyDMA, see [EasyDMA](#) on page 47.

The .PTR and .MAXCNT registers are double-buffered. They can be updated and prepared for the next transmission immediately after having received the STARTED event.

The SPI master will automatically stop transmitting after TXD.MAXCNT bytes have been transmitted and RXD.MAXCNT bytes have been received. If RXD.MAXCNT is larger than TXD.MAXCNT, the remaining transmitted bytes will contain the value defined in the ORC register. If TXD.MAXCNT is larger than RXD.MAXCNT, the superfluous received bytes will be discarded.

The ENDRX/ENDTX event indicate that EasyDMA has finished accessing respectively the RX/TX buffer in RAM. The END event gets generated when both RX and TX are finished accessing the buffers in RAM.

If several AHB bus masters try to access the same AHB slave at the same time, AHB bus congestion might occur, and the behaviour of the EasyDMA channel will depend on the SPIM instance. Refer to [Instances](#) on page 413 for information about what behaviour is supported in the various instances.

### 6.25.5 Low power

When putting the system in low power and the peripheral is not needed, lowest possible power consumption is achieved by stopping, and then disabling the peripheral.

The STOP task may not be always needed (the peripheral might already be stopped), but if it is sent, software shall wait until the STOPPED event was received as a response before disabling the peripheral through the ENABLE register.

### 6.25.6 Registers

| Base address | Peripheral | Instance | Description  | Configuration   |
|--------------|------------|----------|--------------|---|
| 0x40003000   | SPIM       | SPIM0    | SPI master 0 | Not supported: > 8 Mbps data rate, CSNPOL register, DCX functionality, IFTIMING.x registers, hardware CSN control (PSEL.CSN), stalling mechanism during AHB bus contention. |
| 0x40004000   | SPIM       | SPIM1    | SPI master 1 | Not supported: > 8 Mbps data rate, CSNPOL register, DCX functionality, IFTIMING.x registers, hardware CSN control (PSEL.CSN), stalling mechanism during AHB bus contention. |
| 0x40023000   | SPIM       | SPIM2    | SPI master 2 | Not supported: > 8 Mbps data rate, CSNPOL register, DCX functionality, IFTIMING.x registers, hardware CSN control (PSEL.CSN), stalling mechanism during AHB bus contention. |
| 0x4002F000   | SPIM       | SPIM3    | SPI master 3 |   |

Table 108: Instances

| Register         | Offset | Description   |
|------------------|--------|---|
| TASKS_START      | 0x010  | Start SPI transaction   |
| TASKS_STOP       | 0x014  | Stop SPI transaction  |
| TASKS_SUSPEND    | 0x01C  | Suspend SPI transaction   |
| TASKS_RESUME     | 0x020  | Resume SPI transaction  |
| EVENTS_STOPPED   | 0x104  | SPI transaction has stopped   |
| EVENTS_ENDRX     | 0x110  | End of RXD buffer reached   |
| EVENTS_END       | 0x118  | End of RXD buffer and TXD buffer reached  |
| EVENTS_ENDTX     | 0x120  | End of TXD buffer reached   |
| EVENTS_STARTED   | 0x14C  | Transaction started   |
| SHORTS           | 0x200  | Shortcuts between local events and tasks  |
| INTENSET         | 0x304  | Enable interrupt  |
| INTENCLR         | 0x308  | Disable interrupt   |
| STALLSTAT        | 0x400  | Stall status for EasyDMA RAM accesses. The fields in this register are set to STALL by hardware whenever a stall occurs and can be cleared (set to NOSTALL) by the CPU. |
| ENABLE           | 0x500  | Enable SPIM   |
| PSEL.SCK         | 0x508  | Pin select for SCK  |
| PSEL.MOSI        | 0x50C  | Pin select for MOSI signal  |
| PSEL.MISO        | 0x510  | Pin select for MISO signal  |
| PSEL.CSN         | 0x514  | Pin select for CSN  |
| FREQUENCY        | 0x524  | SPI frequency. Accuracy depends on the HFCLK source selected.   |
| RXD.PTR          | 0x534  | Data pointer  |
| RXD.MAXCNT       | 0x538  | Maximum number of bytes in receive buffer   |
| RXD.AMOUNT       | 0x53C  | Number of bytes transferred in the last transaction   |
| RXD.LIST         | 0x540  | EasyDMA list type   |
| TXD.PTR          | 0x544  | Data pointer  |
| TXD.MAXCNT       | 0x548  | Number of bytes in transmit buffer  |
| TXD.AMOUNT       | 0x54C  | Number of bytes transferred in the last transaction   |
| TXD.LIST         | 0x550  | EasyDMA list type   |
| CONFIG           | 0x554  | Configuration register  |
| IFTIMING.RXDELAY | 0x560  | Sample delay for input serial data on MISO  |
| IFTIMING.CSNDUR  | 0x564  | Minimum duration between edge of CSN and edge of SCK and minimum duration CSN must stay high between transactions   |
| CSNPOL           | 0x568  | Polarity of CSN output  |
| PSELDCX          | 0x56C  | Pin select for DCX signal   |
| DCXCNT           | 0x570  | DCX configuration   |
| ORC              | 0x5C0  | Byte transmitted after TXD.MAXCNT bytes have been transmitted in the case when RXD.MAXCNT is greater than TXD.MAXCNT  |

Table 109: Register overview

### 6.25.6.1 TASKS\_START

Address offset: 0x010

Start SPI transaction

| Bit number       | 31 30 29 28 27 26 25 24 23 22 21 20 19 18 17 16 15 14 13 12 11 10 9 8 7 6 5 4 3 2 1 0 |             |          |       |                                       |  |  |  |  |  |  |  |  |  |  |  |  |  |  |  |  |  |  |  |  |  |  |  |  |  |  |   |
|------------------|---|-------------|----------|-------|---------------------------------------|--|--|--|--|--|--|--|--|--|--|--|--|--|--|--|--|--|--|--|--|--|--|--|--|--|--|---|
| ID               |   |             |          |       |                                       |  |  |  |  |  |  |  |  |  |  |  |  |  |  |  |  |  |  |  |  |  |  |  |  |  |  | A |
| Reset 0x00000000 | 0               |             |          |       |                                       |  |  |  |  |  |  |  |  |  |  |  |  |  |  |  |  |  |  |  |  |  |  |  |  |  |  |   |
| ID               | Acce  | Field       | Value ID | Value | Description                           |  |  |  |  |  |  |  |  |  |  |  |  |  |  |  |  |  |  |  |  |  |  |  |  |  |  |   |
| A                | W   | TASKS_START | Trigger  | 1     | Start SPI transaction<br>Trigger task |  |  |  |  |  |  |  |  |  |  |  |  |  |  |  |  |  |  |  |  |  |  |  |  |  |  |   |

### 6.25.6.2 TASKS\_STOP

Address offset: 0x014

Stop SPI transaction

| Bit number       | 31 30 29 28 27 26 25 24 23 22 21 20 19 18 17 16 15 14 13 12 11 10 9 8 7 6 5 4 3 2 1 0 |          |       |                      |  |  |  |  |  |  |  |  |  |  |  |  |  |  |  |  |  |  |  |  |  |  |  |  |  |  |  |
|------------------|---|----------|-------|----------------------|--|--|--|--|--|--|--|--|--|--|--|--|--|--|--|--|--|--|--|--|--|--|--|--|--|--|--|
| ID               | A   |          |       |                      |  |  |  |  |  |  |  |  |  |  |  |  |  |  |  |  |  |  |  |  |  |  |  |  |  |  |  |
| Reset 0x00000000 | 0           |          |       |                      |  |  |  |  |  |  |  |  |  |  |  |  |  |  |  |  |  |  |  |  |  |  |  |  |  |  |  |
| ID               | Acce Field  | Value ID | Value | Description          |  |  |  |  |  |  |  |  |  |  |  |  |  |  |  |  |  |  |  |  |  |  |  |  |  |  |  |
| A                | W TASKS_STOP  |          |       | Stop SPI transaction |  |  |  |  |  |  |  |  |  |  |  |  |  |  |  |  |  |  |  |  |  |  |  |  |  |  |  |
|                  |   | Trigger  | 1     | Trigger task         |  |  |  |  |  |  |  |  |  |  |  |  |  |  |  |  |  |  |  |  |  |  |  |  |  |  |  |

### 6.25.6.3 TASKS\_SUSPEND

Address offset: 0x01C

Suspend SPI transaction

| Bit number       | 31 30 29 28 27 26 25 24 23 22 21 20 19 18 17 16 15 14 13 12 11 10 9 8 7 6 5 4 3 2 1 0 |          |       |                         |  |  |  |  |  |  |  |  |  |  |  |  |  |  |  |  |  |  |  |  |  |  |  |  |  |  |  |
|------------------|---|----------|-------|-------------------------|--|--|--|--|--|--|--|--|--|--|--|--|--|--|--|--|--|--|--|--|--|--|--|--|--|--|--|
| ID               | A   |          |       |                         |  |  |  |  |  |  |  |  |  |  |  |  |  |  |  |  |  |  |  |  |  |  |  |  |  |  |  |
| Reset 0x00000000 | 0           |          |       |                         |  |  |  |  |  |  |  |  |  |  |  |  |  |  |  |  |  |  |  |  |  |  |  |  |  |  |  |
| ID               | Acce Field  | Value ID | Value | Description             |  |  |  |  |  |  |  |  |  |  |  |  |  |  |  |  |  |  |  |  |  |  |  |  |  |  |  |
| A                | W TASKS_SUSPEND   |          |       | Suspend SPI transaction |  |  |  |  |  |  |  |  |  |  |  |  |  |  |  |  |  |  |  |  |  |  |  |  |  |  |  |
|                  |   | Trigger  | 1     | Trigger task            |  |  |  |  |  |  |  |  |  |  |  |  |  |  |  |  |  |  |  |  |  |  |  |  |  |  |  |

### 6.25.6.4 TASKS\_RESUME

Address offset: 0x020

Resume SPI transaction

| Bit number       | 31 30 29 28 27 26 25 24 23 22 21 20 19 18 17 16 15 14 13 12 11 10 9 8 7 6 5 4 3 2 1 0 |          |       |                        |  |  |  |  |  |  |  |  |  |  |  |  |  |  |  |  |  |  |  |  |  |  |  |  |  |  |  |
|------------------|---|----------|-------|------------------------|--|--|--|--|--|--|--|--|--|--|--|--|--|--|--|--|--|--|--|--|--|--|--|--|--|--|--|
| ID               | A   |          |       |                        |  |  |  |  |  |  |  |  |  |  |  |  |  |  |  |  |  |  |  |  |  |  |  |  |  |  |  |
| Reset 0x00000000 | 0           |          |       |                        |  |  |  |  |  |  |  |  |  |  |  |  |  |  |  |  |  |  |  |  |  |  |  |  |  |  |  |
| ID               | Acce Field  | Value ID | Value | Description            |  |  |  |  |  |  |  |  |  |  |  |  |  |  |  |  |  |  |  |  |  |  |  |  |  |  |  |
| A                | W TASKS_RESUME  |          |       | Resume SPI transaction |  |  |  |  |  |  |  |  |  |  |  |  |  |  |  |  |  |  |  |  |  |  |  |  |  |  |  |
|                  |   | Trigger  | 1     | Trigger task           |  |  |  |  |  |  |  |  |  |  |  |  |  |  |  |  |  |  |  |  |  |  |  |  |  |  |  |

### 6.25.6.5 EVENTS\_STOPPED

Address offset: 0x104

SPI transaction has stopped

| Bit number       | 31 30 29 28 27 26 25 24 23 22 21 20 19 18 17 16 15 14 13 12 11 10 9 8 7 6 5 4 3 2 1 0 |              |       |                             |  |  |  |  |  |  |  |  |  |  |  |  |  |  |  |  |  |  |  |  |  |  |  |  |  |  |  |
|------------------|---|--------------|-------|-----------------------------|--|--|--|--|--|--|--|--|--|--|--|--|--|--|--|--|--|--|--|--|--|--|--|--|--|--|--|
| ID               | A   |              |       |                             |  |  |  |  |  |  |  |  |  |  |  |  |  |  |  |  |  |  |  |  |  |  |  |  |  |  |  |
| Reset 0x00000000 | 0           |              |       |                             |  |  |  |  |  |  |  |  |  |  |  |  |  |  |  |  |  |  |  |  |  |  |  |  |  |  |  |
| ID               | Acce Field  | Value ID     | Value | Description                 |  |  |  |  |  |  |  |  |  |  |  |  |  |  |  |  |  |  |  |  |  |  |  |  |  |  |  |
| A                | RW EVENTS_STOPPED   |              |       | SPI transaction has stopped |  |  |  |  |  |  |  |  |  |  |  |  |  |  |  |  |  |  |  |  |  |  |  |  |  |  |  |
|                  |   | NotGenerated | 0     | Event not generated         |  |  |  |  |  |  |  |  |  |  |  |  |  |  |  |  |  |  |  |  |  |  |  |  |  |  |  |
|                  |   | Generated    | 1     | Event generated             |  |  |  |  |  |  |  |  |  |  |  |  |  |  |  |  |  |  |  |  |  |  |  |  |  |  |  |

### 6.25.6.6 EVENTS\_ENDRX

Address offset: 0x110

End of RXD buffer reached

| Bit number       | 31 30 29 28 27 26 25 24 23 22 21 20 19 18 17 16 15 14 13 12 11 10 9 8 7 6 5 4 3 2 1 0 |              |       |                           |  |  |  |  |  |  |  |  |  |  |  |  |  |  |  |  |  |  |  |  |  |  |  |  |  |  |  |
|------------------|---|--------------|-------|---------------------------|--|--|--|--|--|--|--|--|--|--|--|--|--|--|--|--|--|--|--|--|--|--|--|--|--|--|--|
| ID               | A   |              |       |                           |  |  |  |  |  |  |  |  |  |  |  |  |  |  |  |  |  |  |  |  |  |  |  |  |  |  |  |
| Reset 0x00000000 | 0             |              |       |                           |  |  |  |  |  |  |  |  |  |  |  |  |  |  |  |  |  |  |  |  |  |  |  |  |  |  |  |
| ID               | Acce Field  | Value ID     | Value | Description               |  |  |  |  |  |  |  |  |  |  |  |  |  |  |  |  |  |  |  |  |  |  |  |  |  |  |  |
| A                | RW EVENTS_ENDRX   |              |       | End of RXD buffer reached |  |  |  |  |  |  |  |  |  |  |  |  |  |  |  |  |  |  |  |  |  |  |  |  |  |  |  |
|                  |   | NotGenerated | 0     | Event not generated       |  |  |  |  |  |  |  |  |  |  |  |  |  |  |  |  |  |  |  |  |  |  |  |  |  |  |  |
|                  |   | Generated    | 1     | Event generated           |  |  |  |  |  |  |  |  |  |  |  |  |  |  |  |  |  |  |  |  |  |  |  |  |  |  |  |

### 6.25.6.7 EVENTS\_END

Address offset: 0x118

End of RXD buffer and TXD buffer reached

| Bit number       | 31 30 29 28 27 26 25 24 23 22 21 20 19 18 17 16 15 14 13 12 11 10 9 8 7 6 5 4 3 2 1 0 |              |       |  |  |  |  |  |  |  |  |  |  |  |  |  |  |  |  |  |  |  |  |  |  |  |  |  |  |  |  |
|------------------|---|--------------|-------|--|--|--|--|--|--|--|--|--|--|--|--|--|--|--|--|--|--|--|--|--|--|--|--|--|--|--|--|
| ID               | A   |              |       |  |  |  |  |  |  |  |  |  |  |  |  |  |  |  |  |  |  |  |  |  |  |  |  |  |  |  |  |
| Reset 0x00000000 | 0             |              |       |  |  |  |  |  |  |  |  |  |  |  |  |  |  |  |  |  |  |  |  |  |  |  |  |  |  |  |  |
| ID               | Acce Field  | Value ID     | Value | Description                              |  |  |  |  |  |  |  |  |  |  |  |  |  |  |  |  |  |  |  |  |  |  |  |  |  |  |  |
| A                | RW EVENTS_END   |              |       | End of RXD buffer and TXD buffer reached |  |  |  |  |  |  |  |  |  |  |  |  |  |  |  |  |  |  |  |  |  |  |  |  |  |  |  |
|                  |   | NotGenerated | 0     | Event not generated                      |  |  |  |  |  |  |  |  |  |  |  |  |  |  |  |  |  |  |  |  |  |  |  |  |  |  |  |
|                  |   | Generated    | 1     | Event generated                          |  |  |  |  |  |  |  |  |  |  |  |  |  |  |  |  |  |  |  |  |  |  |  |  |  |  |  |

### 6.25.6.8 EVENTS\_ENDTX

Address offset: 0x120

End of TXD buffer reached

| Bit number       | 31 30 29 28 27 26 25 24 23 22 21 20 19 18 17 16 15 14 13 12 11 10 9 8 7 6 5 4 3 2 1 0 |              |       |                           |  |  |  |  |  |  |  |  |  |  |  |  |  |  |  |  |  |  |  |  |  |  |  |  |  |  |  |
|------------------|---|--------------|-------|---------------------------|--|--|--|--|--|--|--|--|--|--|--|--|--|--|--|--|--|--|--|--|--|--|--|--|--|--|--|
| ID               | A   |              |       |                           |  |  |  |  |  |  |  |  |  |  |  |  |  |  |  |  |  |  |  |  |  |  |  |  |  |  |  |
| Reset 0x00000000 | 0             |              |       |                           |  |  |  |  |  |  |  |  |  |  |  |  |  |  |  |  |  |  |  |  |  |  |  |  |  |  |  |
| ID               | Acce Field  | Value ID     | Value | Description               |  |  |  |  |  |  |  |  |  |  |  |  |  |  |  |  |  |  |  |  |  |  |  |  |  |  |  |
| A                | RW EVENTS_ENDTX   |              |       | End of TXD buffer reached |  |  |  |  |  |  |  |  |  |  |  |  |  |  |  |  |  |  |  |  |  |  |  |  |  |  |  |
|                  |   | NotGenerated | 0     | Event not generated       |  |  |  |  |  |  |  |  |  |  |  |  |  |  |  |  |  |  |  |  |  |  |  |  |  |  |  |
|                  |   | Generated    | 1     | Event generated           |  |  |  |  |  |  |  |  |  |  |  |  |  |  |  |  |  |  |  |  |  |  |  |  |  |  |  |

### 6.25.6.9 EVENTS\_STARTED

Address offset: 0x14C

Transaction started

| Bit number       | 31 30 29 28 27 26 25 24 23 22 21 20 19 18 17 16 15 14 13 12 11 10 9 8 7 6 5 4 3 2 1 0 |              |       |                     |  |  |  |  |  |  |  |  |  |  |  |  |  |  |  |  |  |  |  |  |  |  |  |  |  |  |  |
|------------------|---|--------------|-------|---------------------|--|--|--|--|--|--|--|--|--|--|--|--|--|--|--|--|--|--|--|--|--|--|--|--|--|--|--|
| ID               | A   |              |       |                     |  |  |  |  |  |  |  |  |  |  |  |  |  |  |  |  |  |  |  |  |  |  |  |  |  |  |  |
| Reset 0x00000000 | 0             |              |       |                     |  |  |  |  |  |  |  |  |  |  |  |  |  |  |  |  |  |  |  |  |  |  |  |  |  |  |  |
| ID               | Acce Field  | Value ID     | Value | Description         |  |  |  |  |  |  |  |  |  |  |  |  |  |  |  |  |  |  |  |  |  |  |  |  |  |  |  |
| A                | RW EVENTS_STARTED   |              |       | Transaction started |  |  |  |  |  |  |  |  |  |  |  |  |  |  |  |  |  |  |  |  |  |  |  |  |  |  |  |
|                  |   | NotGenerated | 0     | Event not generated |  |  |  |  |  |  |  |  |  |  |  |  |  |  |  |  |  |  |  |  |  |  |  |  |  |  |  |
|                  |   | Generated    | 1     | Event generated     |  |  |  |  |  |  |  |  |  |  |  |  |  |  |  |  |  |  |  |  |  |  |  |  |  |  |  |

### 6.25.6.10 SHORTS

Address offset: 0x200

Shortcuts between local events and tasks

| Bit number       | 31 30 29 28 27 26 25 24 23 22 21 20 19 18 17 16 15 14 13 12 11 10 9 8 7 6 5 4 3 2 1 0 |          |       |   |  |  |  |  |  |  |  |  |  |  |  |  |  |  |  |  |  |  |  |  |  |  |  |  |  |  |  |
|------------------|---|----------|-------|---|--|--|--|--|--|--|--|--|--|--|--|--|--|--|--|--|--|--|--|--|--|--|--|--|--|--|--|
| ID               | A   |          |       |   |  |  |  |  |  |  |  |  |  |  |  |  |  |  |  |  |  |  |  |  |  |  |  |  |  |  |  |
| Reset 0x00000000 | 0               |          |       |   |  |  |  |  |  |  |  |  |  |  |  |  |  |  |  |  |  |  |  |  |  |  |  |  |  |  |  |
| ID               | Acce Field  | Value ID | Value | Description   |  |  |  |  |  |  |  |  |  |  |  |  |  |  |  |  |  |  |  |  |  |  |  |  |  |  |  |
| A                | RW END_START  |          |       | Shortcut between event <b>END</b> and task <b>START</b> |  |  |  |  |  |  |  |  |  |  |  |  |  |  |  |  |  |  |  |  |  |  |  |  |  |  |  |
|                  |   | Disabled | 0     | Disable shortcut  |  |  |  |  |  |  |  |  |  |  |  |  |  |  |  |  |  |  |  |  |  |  |  |  |  |  |  |
|                  |   | Enabled  | 1     | Enable shortcut   |  |  |  |  |  |  |  |  |  |  |  |  |  |  |  |  |  |  |  |  |  |  |  |  |  |  |  |

### 6.25.6.11 INTENSET

Address offset: 0x304

Enable interrupt

| Bit number       | 31 30 29 28 27 26 25 24 23 22 21 20 19 18 17 16 15 14 13 12 11 10 9 8 7 6 5 4 3 2 1 0 |          |       |  |  |  |  |  |  |  |  |  |  |  |  |  |  |  |  |  |  |  |  |  |  |  |  |  |  |  |  |
|------------------|---|----------|-------|--|--|--|--|--|--|--|--|--|--|--|--|--|--|--|--|--|--|--|--|--|--|--|--|--|--|--|--|
| ID               | E D C B A   |          |       |  |  |  |  |  |  |  |  |  |  |  |  |  |  |  |  |  |  |  |  |  |  |  |  |  |  |  |  |
| Reset 0x00000000 | 0               |          |       |  |  |  |  |  |  |  |  |  |  |  |  |  |  |  |  |  |  |  |  |  |  |  |  |  |  |  |  |
| ID               | Acce Field  | Value ID | Value | Description  |  |  |  |  |  |  |  |  |  |  |  |  |  |  |  |  |  |  |  |  |  |  |  |  |  |  |  |
| A                | RW STOPPED  |          |       | Write '1' to enable interrupt for event <b>STOPPED</b> |  |  |  |  |  |  |  |  |  |  |  |  |  |  |  |  |  |  |  |  |  |  |  |  |  |  |  |
|                  |   | Set      | 1     | Enable   |  |  |  |  |  |  |  |  |  |  |  |  |  |  |  |  |  |  |  |  |  |  |  |  |  |  |  |
|                  |   | Disabled | 0     | Read: Disabled   |  |  |  |  |  |  |  |  |  |  |  |  |  |  |  |  |  |  |  |  |  |  |  |  |  |  |  |
|                  |   | Enabled  | 1     | Read: Enabled  |  |  |  |  |  |  |  |  |  |  |  |  |  |  |  |  |  |  |  |  |  |  |  |  |  |  |  |
| B                | RW ENDRX  |          |       | Write '1' to enable interrupt for event <b>ENDRX</b>   |  |  |  |  |  |  |  |  |  |  |  |  |  |  |  |  |  |  |  |  |  |  |  |  |  |  |  |
|                  |   | Set      | 1     | Enable   |  |  |  |  |  |  |  |  |  |  |  |  |  |  |  |  |  |  |  |  |  |  |  |  |  |  |  |
|                  |   | Disabled | 0     | Read: Disabled   |  |  |  |  |  |  |  |  |  |  |  |  |  |  |  |  |  |  |  |  |  |  |  |  |  |  |  |
|                  |   | Enabled  | 1     | Read: Enabled  |  |  |  |  |  |  |  |  |  |  |  |  |  |  |  |  |  |  |  |  |  |  |  |  |  |  |  |
| C                | RW END  |          |       | Write '1' to enable interrupt for event <b>END</b>     |  |  |  |  |  |  |  |  |  |  |  |  |  |  |  |  |  |  |  |  |  |  |  |  |  |  |  |
|                  |   | Set      | 1     | Enable   |  |  |  |  |  |  |  |  |  |  |  |  |  |  |  |  |  |  |  |  |  |  |  |  |  |  |  |
|                  |   | Disabled | 0     | Read: Disabled   |  |  |  |  |  |  |  |  |  |  |  |  |  |  |  |  |  |  |  |  |  |  |  |  |  |  |  |
|                  |   | Enabled  | 1     | Read: Enabled  |  |  |  |  |  |  |  |  |  |  |  |  |  |  |  |  |  |  |  |  |  |  |  |  |  |  |  |
| D                | RW ENDTX  |          |       | Write '1' to enable interrupt for event <b>ENDTX</b>   |  |  |  |  |  |  |  |  |  |  |  |  |  |  |  |  |  |  |  |  |  |  |  |  |  |  |  |
|                  |   | Set      | 1     | Enable   |  |  |  |  |  |  |  |  |  |  |  |  |  |  |  |  |  |  |  |  |  |  |  |  |  |  |  |
|                  |   | Disabled | 0     | Read: Disabled   |  |  |  |  |  |  |  |  |  |  |  |  |  |  |  |  |  |  |  |  |  |  |  |  |  |  |  |
|                  |   | Enabled  | 1     | Read: Enabled  |  |  |  |  |  |  |  |  |  |  |  |  |  |  |  |  |  |  |  |  |  |  |  |  |  |  |  |
| E                | RW STARTED  |          |       | Write '1' to enable interrupt for event <b>STARTED</b> |  |  |  |  |  |  |  |  |  |  |  |  |  |  |  |  |  |  |  |  |  |  |  |  |  |  |  |
|                  |   | Set      | 1     | Enable   |  |  |  |  |  |  |  |  |  |  |  |  |  |  |  |  |  |  |  |  |  |  |  |  |  |  |  |
|                  |   | Disabled | 0     | Read: Disabled   |  |  |  |  |  |  |  |  |  |  |  |  |  |  |  |  |  |  |  |  |  |  |  |  |  |  |  |
|                  |   | Enabled  | 1     | Read: Enabled  |  |  |  |  |  |  |  |  |  |  |  |  |  |  |  |  |  |  |  |  |  |  |  |  |  |  |  |

### 6.25.6.12 INTENCLR

Address offset: 0x308

Disable interrupt

| Bit number       |            | 31 30 29 28 27 26 25 24 23 22 21 20 19 18 17 16 15 14 13 12 11 10 9 8 7 6 5 4 3 2 1 0 |            |   |   |   |  |  |  |  |  |  |  |  |  |  |   |  |  |  |  |   |  |  |   |  |   |  |  |  |  |  |
|------------------|------------|---|------------|---|---|---|--|--|--|--|--|--|--|--|--|--|---|--|--|--|--|---|--|--|---|--|---|--|--|--|--|--|
| ID               |            | E   |            |   |   |   |  |  |  |  |  |  |  |  |  |  | D |  |  |  |  | C |  |  | B |  | A |  |  |  |  |  |
| Reset 0x00000000 |            | 0   |            |   |   |   |  |  |  |  |  |  |  |  |  |  |   |  |  |  |  |   |  |  |   |  |   |  |  |  |  |  |
| ID               | Acce Field | Value ID  | Value      | Description   |   |   |  |  |  |  |  |  |  |  |  |  |   |  |  |  |  |   |  |  |   |  |   |  |  |  |  |  |
| A                | RW STOPPED |   |            | Write '1' to disable interrupt for event <b>STOPPED</b> |   |   |  |  |  |  |  |  |  |  |  |  |   |  |  |  |  |   |  |  |   |  |   |  |  |  |  |  |
|                  |            | Clear   | 1          | Disable   |   |   |  |  |  |  |  |  |  |  |  |  |   |  |  |  |  |   |  |  |   |  |   |  |  |  |  |  |
|                  |            | Disabled  | 0          | Read: Disabled  |   |   |  |  |  |  |  |  |  |  |  |  |   |  |  |  |  |   |  |  |   |  |   |  |  |  |  |  |
|                  |            | Enabled   | 1          | Read: Enabled   |   |   |  |  |  |  |  |  |  |  |  |  |   |  |  |  |  |   |  |  |   |  |   |  |  |  |  |  |
|                  |            | B   | RW ENDRX   |   |   | Write '1' to disable interrupt for event <b>ENDRX</b>   |  |  |  |  |  |  |  |  |  |  |   |  |  |  |  |   |  |  |   |  |   |  |  |  |  |  |
|                  |            |   |            | Clear   | 1 | Disable   |  |  |  |  |  |  |  |  |  |  |   |  |  |  |  |   |  |  |   |  |   |  |  |  |  |  |
| Disabled         | 0          |   |            | Read: Disabled  |   |   |  |  |  |  |  |  |  |  |  |  |   |  |  |  |  |   |  |  |   |  |   |  |  |  |  |  |
|                  |            | Enabled   | 1          | Read: Enabled   |   |   |  |  |  |  |  |  |  |  |  |  |   |  |  |  |  |   |  |  |   |  |   |  |  |  |  |  |
|                  |            | C   | RW END     |   |   | Write '1' to disable interrupt for event <b>END</b>     |  |  |  |  |  |  |  |  |  |  |   |  |  |  |  |   |  |  |   |  |   |  |  |  |  |  |
|                  |            |   |            | Clear   | 1 | Disable   |  |  |  |  |  |  |  |  |  |  |   |  |  |  |  |   |  |  |   |  |   |  |  |  |  |  |
| Disabled         | 0          |   |            | Read: Disabled  |   |   |  |  |  |  |  |  |  |  |  |  |   |  |  |  |  |   |  |  |   |  |   |  |  |  |  |  |
|                  |            | Enabled   | 1          | Read: Enabled   |   |   |  |  |  |  |  |  |  |  |  |  |   |  |  |  |  |   |  |  |   |  |   |  |  |  |  |  |
|                  |            | D   | RW ENDTX   |   |   | Write '1' to disable interrupt for event <b>ENDTX</b>   |  |  |  |  |  |  |  |  |  |  |   |  |  |  |  |   |  |  |   |  |   |  |  |  |  |  |
|                  |            |   |            | Clear   | 1 | Disable   |  |  |  |  |  |  |  |  |  |  |   |  |  |  |  |   |  |  |   |  |   |  |  |  |  |  |
| Disabled         | 0          |   |            | Read: Disabled  |   |   |  |  |  |  |  |  |  |  |  |  |   |  |  |  |  |   |  |  |   |  |   |  |  |  |  |  |
|                  |            | Enabled   | 1          | Read: Enabled   |   |   |  |  |  |  |  |  |  |  |  |  |   |  |  |  |  |   |  |  |   |  |   |  |  |  |  |  |
|                  |            | E   | RW STARTED |   |   | Write '1' to disable interrupt for event <b>STARTED</b> |  |  |  |  |  |  |  |  |  |  |   |  |  |  |  |   |  |  |   |  |   |  |  |  |  |  |
|                  |            |   |            | Clear   | 1 | Disable   |  |  |  |  |  |  |  |  |  |  |   |  |  |  |  |   |  |  |   |  |   |  |  |  |  |  |
| Disabled         | 0          |   |            | Read: Disabled  |   |   |  |  |  |  |  |  |  |  |  |  |   |  |  |  |  |   |  |  |   |  |   |  |  |  |  |  |
|                  |            | Enabled   | 1          | Read: Enabled   |   |   |  |  |  |  |  |  |  |  |  |  |   |  |  |  |  |   |  |  |   |  |   |  |  |  |  |  |

### 6.25.6.13 STALLSTAT

Address offset: 0x400

Stall status for EasyDMA RAM accesses. The fields in this register are set to STALL by hardware whenever a stall occurs and can be cleared (set to NOSTALL) by the CPU.

| Bit number       |            | 31 30 29 28 27 26 25 24 23 22 21 20 19 18 17 16 15 14 13 12 11 10 9 8 7 6 5 4 3 2 1 0 |        |                                     |  |  |  |  |  |  |  |  |  |  |  |  |  |  |  |  |  |  |  |  |  |  |  |  |  |   |  |   |
|------------------|------------|---|--------|-------------------------------------|--|--|--|--|--|--|--|--|--|--|--|--|--|--|--|--|--|--|--|--|--|--|--|--|--|---|--|---|
| ID               |            |   |        |                                     |  |  |  |  |  |  |  |  |  |  |  |  |  |  |  |  |  |  |  |  |  |  |  |  |  | B |  | A |
| Reset 0x00000000 |            | 0   |        |                                     |  |  |  |  |  |  |  |  |  |  |  |  |  |  |  |  |  |  |  |  |  |  |  |  |  |   |  |   |
| ID               | Acce Field | Value ID  | Value  | Description                         |  |  |  |  |  |  |  |  |  |  |  |  |  |  |  |  |  |  |  |  |  |  |  |  |  |   |  |   |
| A                | RW TX      |   | [1..0] | Stall status for EasyDMA RAM reads  |  |  |  |  |  |  |  |  |  |  |  |  |  |  |  |  |  |  |  |  |  |  |  |  |  |   |  |   |
|                  |            | NOSTALL   | 0      | No stall                            |  |  |  |  |  |  |  |  |  |  |  |  |  |  |  |  |  |  |  |  |  |  |  |  |  |   |  |   |
|                  |            | STALL   | 1      | A stall has occurred                |  |  |  |  |  |  |  |  |  |  |  |  |  |  |  |  |  |  |  |  |  |  |  |  |  |   |  |   |
| B                | RW RX      |   | [1..0] | Stall status for EasyDMA RAM writes |  |  |  |  |  |  |  |  |  |  |  |  |  |  |  |  |  |  |  |  |  |  |  |  |  |   |  |   |
|                  |            | NOSTALL   | 0      | No stall                            |  |  |  |  |  |  |  |  |  |  |  |  |  |  |  |  |  |  |  |  |  |  |  |  |  |   |  |   |
|                  |            | STALL   | 1      | A stall has occurred                |  |  |  |  |  |  |  |  |  |  |  |  |  |  |  |  |  |  |  |  |  |  |  |  |  |   |  |   |

### 6.25.6.14 ENABLE

Address offset: 0x500

Enable SPIM

| Bit number       | 31  | 30       | 29    | 28                     | 27 | 26 | 25 | 24 | 23 | 22 | 21 | 20 | 19 | 18 | 17 | 16 | 15 | 14 | 13 | 12 | 11 | 10 | 9 | 8 | 7 | 6 | 5 | 4 | 3 | 2 | 1 | 0 |
|------------------|---|----------|-------|------------------------|----|----|----|----|----|----|----|----|----|----|----|----|----|----|----|----|----|----|---|---|---|---|---|---|---|---|---|---|
| ID               |   |          |       |                        |    |    |    |    |    |    |    |    |    |    |    |    |    |    |    |    |    |    |   |   |   |   |   | A | A | A | A |   |
| Reset 0x00000000 | 0 |          |       |                        |    |    |    |    |    |    |    |    |    |    |    |    |    |    |    |    |    |    |   |   |   |   |   |   |   |   |   |   |
| ID               | Acce Field  | Value ID | Value | Description            |    |    |    |    |    |    |    |    |    |    |    |    |    |    |    |    |    |    |   |   |   |   |   |   |   |   |   |   |
| A                | RW ENABLE   |          |       | Enable or disable SPIM |    |    |    |    |    |    |    |    |    |    |    |    |    |    |    |    |    |    |   |   |   |   |   |   |   |   |   |   |
|                  |   | Disabled | 0     | Disable SPIM           |    |    |    |    |    |    |    |    |    |    |    |    |    |    |    |    |    |    |   |   |   |   |   |   |   |   |   |   |
|                  |   | Enabled  | 7     | Enable SPIM            |    |    |    |    |    |    |    |    |    |    |    |    |    |    |    |    |    |    |   |   |   |   |   |   |   |   |   |   |

### 6.25.6.15 PSEL.SCK

Address offset: 0x508

Pin select for SCK

| Bit number       | 31  | 30           | 29      | 28          | 27 | 26 | 25 | 24 | 23 | 22 | 21 | 20 | 19 | 18 | 17 | 16 | 15 | 14 | 13 | 12 | 11 | 10 | 9 | 8 | 7 | 6 | 5 | 4 | 3 | 2 | 1 | 0 |
|------------------|---|--------------|---------|-------------|----|----|----|----|----|----|----|----|----|----|----|----|----|----|----|----|----|----|---|---|---|---|---|---|---|---|---|---|
| ID               | C   |              |         |             |    |    |    |    |    |    |    |    |    |    |    |    |    |    |    |    |    |    |   |   |   |   |   | B | A | A | A | A |
| Reset 0xFFFFFFFF | 1 |              |         |             |    |    |    |    |    |    |    |    |    |    |    |    |    |    |    |    |    |    |   |   |   |   |   |   |   |   |   |   |
| ID               | Acce Field  | Value ID     | Value   | Description |    |    |    |    |    |    |    |    |    |    |    |    |    |    |    |    |    |    |   |   |   |   |   |   |   |   |   |   |
| A                | RW PIN  |              | [0..31] | Pin number  |    |    |    |    |    |    |    |    |    |    |    |    |    |    |    |    |    |    |   |   |   |   |   |   |   |   |   |   |
| B                | RW PORT   |              | [0..1]  | Port number |    |    |    |    |    |    |    |    |    |    |    |    |    |    |    |    |    |    |   |   |   |   |   |   |   |   |   |   |
| C                | RW CONNECT  |              |         | Connection  |    |    |    |    |    |    |    |    |    |    |    |    |    |    |    |    |    |    |   |   |   |   |   |   |   |   |   |   |
|                  |   | Disconnected | 1       | Disconnect  |    |    |    |    |    |    |    |    |    |    |    |    |    |    |    |    |    |    |   |   |   |   |   |   |   |   |   |   |
|                  |   | Connected    | 0       | Connect     |    |    |    |    |    |    |    |    |    |    |    |    |    |    |    |    |    |    |   |   |   |   |   |   |   |   |   |   |

### 6.25.6.16 PSEL.MOSI

Address offset: 0x50C

Pin select for MOSI signal

| Bit number       | 31  | 30           | 29      | 28          | 27 | 26 | 25 | 24 | 23 | 22 | 21 | 20 | 19 | 18 | 17 | 16 | 15 | 14 | 13 | 12 | 11 | 10 | 9 | 8 | 7 | 6 | 5 | 4 | 3 | 2 | 1 | 0 |
|------------------|---|--------------|---------|-------------|----|----|----|----|----|----|----|----|----|----|----|----|----|----|----|----|----|----|---|---|---|---|---|---|---|---|---|---|
| ID               | C   |              |         |             |    |    |    |    |    |    |    |    |    |    |    |    |    |    |    |    |    |    |   |   |   |   |   | B | A | A | A | A |
| Reset 0xFFFFFFFF | 1 |              |         |             |    |    |    |    |    |    |    |    |    |    |    |    |    |    |    |    |    |    |   |   |   |   |   |   |   |   |   |   |
| ID               | Acce Field  | Value ID     | Value   | Description |    |    |    |    |    |    |    |    |    |    |    |    |    |    |    |    |    |    |   |   |   |   |   |   |   |   |   |   |
| A                | RW PIN  |              | [0..31] | Pin number  |    |    |    |    |    |    |    |    |    |    |    |    |    |    |    |    |    |    |   |   |   |   |   |   |   |   |   |   |
| B                | RW PORT   |              | [0..1]  | Port number |    |    |    |    |    |    |    |    |    |    |    |    |    |    |    |    |    |    |   |   |   |   |   |   |   |   |   |   |
| C                | RW CONNECT  |              |         | Connection  |    |    |    |    |    |    |    |    |    |    |    |    |    |    |    |    |    |    |   |   |   |   |   |   |   |   |   |   |
|                  |   | Disconnected | 1       | Disconnect  |    |    |    |    |    |    |    |    |    |    |    |    |    |    |    |    |    |    |   |   |   |   |   |   |   |   |   |   |
|                  |   | Connected    | 0       | Connect     |    |    |    |    |    |    |    |    |    |    |    |    |    |    |    |    |    |    |   |   |   |   |   |   |   |   |   |   |

### 6.25.6.17 PSEL.MISO

Address offset: 0x510

Pin select for MISO signal

| Bit number       | 31  | 30           | 29      | 28          | 27 | 26 | 25 | 24 | 23 | 22 | 21 | 20 | 19 | 18 | 17 | 16 | 15 | 14 | 13 | 12 | 11 | 10 | 9 | 8 | 7 | 6 | 5 | 4 | 3 | 2 | 1 | 0 |
|------------------|---|--------------|---------|-------------|----|----|----|----|----|----|----|----|----|----|----|----|----|----|----|----|----|----|---|---|---|---|---|---|---|---|---|---|
| ID               | C   |              |         |             |    |    |    |    |    |    |    |    |    |    |    |    |    |    |    |    |    |    |   |   |   |   |   | B | A | A | A | A |
| Reset 0xFFFFFFFF | 1 |              |         |             |    |    |    |    |    |    |    |    |    |    |    |    |    |    |    |    |    |    |   |   |   |   |   |   |   |   |   |   |
| ID               | Acce Field  | Value ID     | Value   | Description |    |    |    |    |    |    |    |    |    |    |    |    |    |    |    |    |    |    |   |   |   |   |   |   |   |   |   |   |
| A                | RW PIN  |              | [0..31] | Pin number  |    |    |    |    |    |    |    |    |    |    |    |    |    |    |    |    |    |    |   |   |   |   |   |   |   |   |   |   |
| B                | RW PORT   |              | [0..1]  | Port number |    |    |    |    |    |    |    |    |    |    |    |    |    |    |    |    |    |    |   |   |   |   |   |   |   |   |   |   |
| C                | RW CONNECT  |              |         | Connection  |    |    |    |    |    |    |    |    |    |    |    |    |    |    |    |    |    |    |   |   |   |   |   |   |   |   |   |   |
|                  |   | Disconnected | 1       | Disconnect  |    |    |    |    |    |    |    |    |    |    |    |    |    |    |    |    |    |    |   |   |   |   |   |   |   |   |   |   |
|                  |   | Connected    | 0       | Connect     |    |    |    |    |    |    |    |    |    |    |    |    |    |    |    |    |    |    |   |   |   |   |   |   |   |   |   |   |

### 6.25.6.18 PSEL.CSN

Address offset: 0x514

Pin select for CSN

| Bit number       | 31 30 29 28 27 26 25 24 23 22 21 20 19 18 17 16 15 14 13 12 11 10 9 8 7 6 5 4 3 2 1 0 |              |         |             |  |  |  |  |  |  |  |  |  |  |  |  |  |  |  |  |  |  |  |  |  |  |  |  |  |  |  |
|------------------|---|--------------|---------|-------------|--|--|--|--|--|--|--|--|--|--|--|--|--|--|--|--|--|--|--|--|--|--|--|--|--|--|--|
| ID               | C B A A A A A   |              |         |             |  |  |  |  |  |  |  |  |  |  |  |  |  |  |  |  |  |  |  |  |  |  |  |  |  |  |  |
| Reset 0xFFFFFFFF | 1                       |              |         |             |  |  |  |  |  |  |  |  |  |  |  |  |  |  |  |  |  |  |  |  |  |  |  |  |  |  |  |
| ID               | Acce Field  | Value ID     | Value   | Description |  |  |  |  |  |  |  |  |  |  |  |  |  |  |  |  |  |  |  |  |  |  |  |  |  |  |  |
| A                | RW PIN  |              | [0..31] | Pin number  |  |  |  |  |  |  |  |  |  |  |  |  |  |  |  |  |  |  |  |  |  |  |  |  |  |  |  |
| B                | RW PORT   |              | [0..1]  | Port number |  |  |  |  |  |  |  |  |  |  |  |  |  |  |  |  |  |  |  |  |  |  |  |  |  |  |  |
| C                | RW CONNECT  |              |         | Connection  |  |  |  |  |  |  |  |  |  |  |  |  |  |  |  |  |  |  |  |  |  |  |  |  |  |  |  |
|                  |   | Disconnected | 1       | Disconnect  |  |  |  |  |  |  |  |  |  |  |  |  |  |  |  |  |  |  |  |  |  |  |  |  |  |  |  |
|                  |   | Connected    | 0       | Connect     |  |  |  |  |  |  |  |  |  |  |  |  |  |  |  |  |  |  |  |  |  |  |  |  |  |  |  |

### 6.25.6.19 FREQUENCY

Address offset: 0x524

SPI frequency. Accuracy depends on the HFCLK source selected.

| Bit number       | 31 30 29 28 27 26 25 24 23 22 21 20 19 18 17 16 15 14 13 12 11 10 9 8 7 6 5 4 3 2 1 0 |          |            |                      |  |  |  |  |  |  |  |  |  |  |  |  |  |  |  |  |  |  |  |  |  |  |  |  |  |  |  |
|------------------|---|----------|------------|----------------------|--|--|--|--|--|--|--|--|--|--|--|--|--|--|--|--|--|--|--|--|--|--|--|--|--|--|--|
| ID               | A                             |          |            |                      |  |  |  |  |  |  |  |  |  |  |  |  |  |  |  |  |  |  |  |  |  |  |  |  |  |  |  |
| Reset 0x04000000 | 0 0 0 0 0 1 0                       |          |            |                      |  |  |  |  |  |  |  |  |  |  |  |  |  |  |  |  |  |  |  |  |  |  |  |  |  |  |  |
| ID               | Acce Field  | Value ID | Value      | Description          |  |  |  |  |  |  |  |  |  |  |  |  |  |  |  |  |  |  |  |  |  |  |  |  |  |  |  |
| A                | RW FREQUENCY  |          |            | SPI master data rate |  |  |  |  |  |  |  |  |  |  |  |  |  |  |  |  |  |  |  |  |  |  |  |  |  |  |  |
|                  |   | K125     | 0x02000000 | 125 kbps             |  |  |  |  |  |  |  |  |  |  |  |  |  |  |  |  |  |  |  |  |  |  |  |  |  |  |  |
|                  |   | K250     | 0x04000000 | 250 kbps             |  |  |  |  |  |  |  |  |  |  |  |  |  |  |  |  |  |  |  |  |  |  |  |  |  |  |  |
|                  |   | K500     | 0x08000000 | 500 kbps             |  |  |  |  |  |  |  |  |  |  |  |  |  |  |  |  |  |  |  |  |  |  |  |  |  |  |  |
|                  |   | M1       | 0x10000000 | 1 Mbps               |  |  |  |  |  |  |  |  |  |  |  |  |  |  |  |  |  |  |  |  |  |  |  |  |  |  |  |
|                  |   | M2       | 0x20000000 | 2 Mbps               |  |  |  |  |  |  |  |  |  |  |  |  |  |  |  |  |  |  |  |  |  |  |  |  |  |  |  |
|                  |   | M4       | 0x40000000 | 4 Mbps               |  |  |  |  |  |  |  |  |  |  |  |  |  |  |  |  |  |  |  |  |  |  |  |  |  |  |  |
|                  |   | M8       | 0x80000000 | 8 Mbps               |  |  |  |  |  |  |  |  |  |  |  |  |  |  |  |  |  |  |  |  |  |  |  |  |  |  |  |
|                  |   | M16      | 0x0A000000 | 16 Mbps              |  |  |  |  |  |  |  |  |  |  |  |  |  |  |  |  |  |  |  |  |  |  |  |  |  |  |  |
|                  |   | M32      | 0x14000000 | 32 Mbps              |  |  |  |  |  |  |  |  |  |  |  |  |  |  |  |  |  |  |  |  |  |  |  |  |  |  |  |

### 6.25.6.20 RXD.PTR

Address offset: 0x534

Data pointer

| Bit number       | 31 30 29 28 27 26 25 24 23 22 21 20 19 18 17 16 15 14 13 12 11 10 9 8 7 6 5 4 3 2 1 0 |          |       |              |  |  |  |  |  |  |  |  |  |  |  |  |  |  |  |  |  |  |  |  |  |  |  |  |  |  |  |
|------------------|---|----------|-------|--------------|--|--|--|--|--|--|--|--|--|--|--|--|--|--|--|--|--|--|--|--|--|--|--|--|--|--|--|
| ID               | A                             |          |       |              |  |  |  |  |  |  |  |  |  |  |  |  |  |  |  |  |  |  |  |  |  |  |  |  |  |  |  |
| Reset 0x00000000 | 0                       |          |       |              |  |  |  |  |  |  |  |  |  |  |  |  |  |  |  |  |  |  |  |  |  |  |  |  |  |  |  |
| ID               | Acce Field  | Value ID | Value | Description  |  |  |  |  |  |  |  |  |  |  |  |  |  |  |  |  |  |  |  |  |  |  |  |  |  |  |  |
| A                | RW PTR  |          |       | Data pointer |  |  |  |  |  |  |  |  |  |  |  |  |  |  |  |  |  |  |  |  |  |  |  |  |  |  |  |

See the memory chapter for details about which memories are available for EasyDMA.

### 6.25.6.21 RXD.MAXCNT

Address offset: 0x538



## Maximum number of bytes in receive buffer

| Bit number       | 31  | 30       | 29          | 28  | 27 | 26 | 25 | 24 | 23 | 22 | 21 | 20 | 19 | 18 | 17 | 16 | 15 | 14 | 13 | 12 | 11 | 10 | 9 | 8 | 7 | 6 | 5 | 4 | 3 | 2 | 1 | 0 |
|------------------|---|----------|-------------|---|----|----|----|----|----|----|----|----|----|----|----|----|----|----|----|----|----|----|---|---|---|---|---|---|---|---|---|---|
| ID               | A                 |          |             |   |    |    |    |    |    |    |    |    |    |    |    |    |    |    |    |    |    |    |   |   |   |   |   |   |   |   |   |   |
| Reset 0x00000000 | 0 |          |             |   |    |    |    |    |    |    |    |    |    |    |    |    |    |    |    |    |    |    |   |   |   |   |   |   |   |   |   |   |
| ID               | Acce Field  | Value ID | Value       | Description                               |    |    |    |    |    |    |    |    |    |    |    |    |    |    |    |    |    |    |   |   |   |   |   |   |   |   |   |   |
| A                | RW  | MAXCNT   | [0..0xFFFF] | Maximum number of bytes in receive buffer |    |    |    |    |    |    |    |    |    |    |    |    |    |    |    |    |    |    |   |   |   |   |   |   |   |   |   |   |

## 6.25.6.22 RXD.AMOUNT

Address offset: 0x53C

Number of bytes transferred in the last transaction

| Bit number       | 31  | 30       | 29          | 28  | 27 | 26 | 25 | 24 | 23 | 22 | 21 | 20 | 19 | 18 | 17 | 16 | 15 | 14 | 13 | 12 | 11 | 10 | 9 | 8 | 7 | 6 | 5 | 4 | 3 | 2 | 1 | 0 |
|------------------|---|----------|-------------|---|----|----|----|----|----|----|----|----|----|----|----|----|----|----|----|----|----|----|---|---|---|---|---|---|---|---|---|---|
| ID               | A                 |          |             |   |    |    |    |    |    |    |    |    |    |    |    |    |    |    |    |    |    |    |   |   |   |   |   |   |   |   |   |   |
| Reset 0x00000000 | 0 |          |             |   |    |    |    |    |    |    |    |    |    |    |    |    |    |    |    |    |    |    |   |   |   |   |   |   |   |   |   |   |
| ID               | Acce Field  | Value ID | Value       | Description   |    |    |    |    |    |    |    |    |    |    |    |    |    |    |    |    |    |    |   |   |   |   |   |   |   |   |   |   |
| A                | R   | AMOUNT   | [0..0xFFFF] | Number of bytes transferred in the last transaction |    |    |    |    |    |    |    |    |    |    |    |    |    |    |    |    |    |    |   |   |   |   |   |   |   |   |   |   |

## 6.25.6.23 RXD.LIST

Address offset: 0x540

EasyDMA list type

| Bit number       | 31  | 30        | 29    | 28                   | 27 | 26 | 25 | 24 | 23 | 22 | 21 | 20 | 19 | 18 | 17 | 16 | 15 | 14 | 13 | 12 | 11 | 10 | 9 | 8 | 7 | 6 | 5 | 4 | 3 | 2 | 1 | 0 |
|------------------|---|-----------|-------|----------------------|----|----|----|----|----|----|----|----|----|----|----|----|----|----|----|----|----|----|---|---|---|---|---|---|---|---|---|---|
| ID               | A A   |           |       |                      |    |    |    |    |    |    |    |    |    |    |    |    |    |    |    |    |    |    |   |   |   |   |   |   |   |   |   |   |
| Reset 0x00000000 | 0 |           |       |                      |    |    |    |    |    |    |    |    |    |    |    |    |    |    |    |    |    |    |   |   |   |   |   |   |   |   |   |   |
| ID               | Acce Field  | Value ID  | Value | Description          |    |    |    |    |    |    |    |    |    |    |    |    |    |    |    |    |    |    |   |   |   |   |   |   |   |   |   |   |
| A                | RW  | LIST      |       | List type            |    |    |    |    |    |    |    |    |    |    |    |    |    |    |    |    |    |    |   |   |   |   |   |   |   |   |   |   |
|                  |   | Disabled  | 0     | Disable EasyDMA list |    |    |    |    |    |    |    |    |    |    |    |    |    |    |    |    |    |    |   |   |   |   |   |   |   |   |   |   |
|                  |   | ArrayList | 1     | Use array list       |    |    |    |    |    |    |    |    |    |    |    |    |    |    |    |    |    |    |   |   |   |   |   |   |   |   |   |   |

## 6.25.6.24 TXD.PTR

Address offset: 0x544

Data pointer

| Bit number       | 31  | 30       | 29    | 28           | 27 | 26 | 25 | 24 | 23 | 22 | 21 | 20 | 19 | 18 | 17 | 16 | 15 | 14 | 13 | 12 | 11 | 10 | 9 | 8 | 7 | 6 | 5 | 4 | 3 | 2 | 1 | 0 |
|------------------|---|----------|-------|--------------|----|----|----|----|----|----|----|----|----|----|----|----|----|----|----|----|----|----|---|---|---|---|---|---|---|---|---|---|
| ID               | A             |          |       |              |    |    |    |    |    |    |    |    |    |    |    |    |    |    |    |    |    |    |   |   |   |   |   |   |   |   |   |   |
| Reset 0x00000000 | 0 |          |       |              |    |    |    |    |    |    |    |    |    |    |    |    |    |    |    |    |    |    |   |   |   |   |   |   |   |   |   |   |
| ID               | Acce Field  | Value ID | Value | Description  |    |    |    |    |    |    |    |    |    |    |    |    |    |    |    |    |    |    |   |   |   |   |   |   |   |   |   |   |
| A                | RW  | PTR      |       | Data pointer |    |    |    |    |    |    |    |    |    |    |    |    |    |    |    |    |    |    |   |   |   |   |   |   |   |   |   |   |

See the memory chapter for details about which memories are available for EasyDMA.

## 6.25.6.25 TXD.MAXCNT

Address offset: 0x548

Number of bytes in transmit buffer

| Bit number       | 31  | 30     | 29       | 28          | 27   | 26 | 25 | 24 | 23 | 22 | 21 | 20 | 19 | 18 | 17 | 16 | 15 | 14 | 13 | 12 | 11 | 10 | 9 | 8 | 7 | 6 | 5 | 4 | 3 | 2 | 1 | 0 |
|------------------|---|--------|----------|-------------|--|----|----|----|----|----|----|----|----|----|----|----|----|----|----|----|----|----|---|---|---|---|---|---|---|---|---|---|
| ID               | A A A A A A A A A A A A A A A A A A                                 |        |          |             |  |    |    |    |    |    |    |    |    |    |    |    |    |    |    |    |    |    |   |   |   |   |   |   |   |   |   |   |
| Reset 0x00000000 | 0 |        |          |             |  |    |    |    |    |    |    |    |    |    |    |    |    |    |    |    |    |    |   |   |   |   |   |   |   |   |   |   |
| ID               | Acce  | Field  | Value ID | Value       | Description                                |    |    |    |    |    |    |    |    |    |    |    |    |    |    |    |    |    |   |   |   |   |   |   |   |   |   |   |
| A                | RW  | MAXCNT |          | [0..0xFFFF] | Maximum number of bytes in transmit buffer |    |    |    |    |    |    |    |    |    |    |    |    |    |    |    |    |    |   |   |   |   |   |   |   |   |   |   |

### 6.25.6.26 TXD.AMOUNT

Address offset: 0x54C

Number of bytes transferred in the last transaction

| Bit number       | 31  | 30     | 29       | 28          | 27  | 26 | 25 | 24 | 23 | 22 | 21 | 20 | 19 | 18 | 17 | 16 | 15 | 14 | 13 | 12 | 11 | 10 | 9 | 8 | 7 | 6 | 5 | 4 | 3 | 2 | 1 | 0 |
|------------------|---|--------|----------|-------------|---|----|----|----|----|----|----|----|----|----|----|----|----|----|----|----|----|----|---|---|---|---|---|---|---|---|---|---|
| ID               | A A A A A A A A A A A A A A A A A A                                 |        |          |             |   |    |    |    |    |    |    |    |    |    |    |    |    |    |    |    |    |    |   |   |   |   |   |   |   |   |   |   |
| Reset 0x00000000 | 0 |        |          |             |   |    |    |    |    |    |    |    |    |    |    |    |    |    |    |    |    |    |   |   |   |   |   |   |   |   |   |   |
| ID               | Acce  | Field  | Value ID | Value       | Description   |    |    |    |    |    |    |    |    |    |    |    |    |    |    |    |    |    |   |   |   |   |   |   |   |   |   |   |
| A                | R   | AMOUNT |          | [0..0xFFFF] | Number of bytes transferred in the last transaction |    |    |    |    |    |    |    |    |    |    |    |    |    |    |    |    |    |   |   |   |   |   |   |   |   |   |   |

### 6.25.6.27 TXD.LIST

Address offset: 0x550

EasyDMA list type

| Bit number       | 31  | 30    | 29        | 28    | 27                   | 26 | 25 | 24 | 23 | 22 | 21 | 20 | 19 | 18 | 17 | 16 | 15 | 14 | 13 | 12 | 11 | 10 | 9 | 8 | 7 | 6 | 5 | 4 | 3 | 2 | 1 | 0 |
|------------------|---|-------|-----------|-------|----------------------|----|----|----|----|----|----|----|----|----|----|----|----|----|----|----|----|----|---|---|---|---|---|---|---|---|---|---|
| ID               | A A   |       |           |       |                      |    |    |    |    |    |    |    |    |    |    |    |    |    |    |    |    |    |   |   |   |   |   |   |   |   |   |   |
| Reset 0x00000000 | 0 |       |           |       |                      |    |    |    |    |    |    |    |    |    |    |    |    |    |    |    |    |    |   |   |   |   |   |   |   |   |   |   |
| ID               | Acce  | Field | Value ID  | Value | Description          |    |    |    |    |    |    |    |    |    |    |    |    |    |    |    |    |    |   |   |   |   |   |   |   |   |   |   |
| A                | RW  | LIST  |           |       | List type            |    |    |    |    |    |    |    |    |    |    |    |    |    |    |    |    |    |   |   |   |   |   |   |   |   |   |   |
|                  |   |       | Disabled  | 0     | Disable EasyDMA list |    |    |    |    |    |    |    |    |    |    |    |    |    |    |    |    |    |   |   |   |   |   |   |   |   |   |   |
|                  |   |       | ArrayList | 1     | Use array list       |    |    |    |    |    |    |    |    |    |    |    |    |    |    |    |    |    |   |   |   |   |   |   |   |   |   |   |

### 6.25.6.28 CONFIG

Address offset: 0x554

Configuration register

| Bit number       | 31  | 30    | 29         | 28    | 27  | 26 | 25 | 24 | 23 | 22 | 21 | 20 | 19 | 18 | 17 | 16 | 15 | 14 | 13 | 12 | 11 | 10 | 9 | 8 | 7 | 6 | 5 | 4 | 3 | 2 | 1 | 0 |
|------------------|---|-------|------------|-------|---|----|----|----|----|----|----|----|----|----|----|----|----|----|----|----|----|----|---|---|---|---|---|---|---|---|---|---|
| ID               | C B A   |       |            |       |   |    |    |    |    |    |    |    |    |    |    |    |    |    |    |    |    |    |   |   |   |   |   |   |   |   |   |   |
| Reset 0x00000000 | 0 |       |            |       |   |    |    |    |    |    |    |    |    |    |    |    |    |    |    |    |    |    |   |   |   |   |   |   |   |   |   |   |
| ID               | Acce  | Field | Value ID   | Value | Description   |    |    |    |    |    |    |    |    |    |    |    |    |    |    |    |    |    |   |   |   |   |   |   |   |   |   |   |
| A                | RW  | ORDER |            |       | Bit order   |    |    |    |    |    |    |    |    |    |    |    |    |    |    |    |    |    |   |   |   |   |   |   |   |   |   |   |
|                  |   |       | MsbFirst   | 0     | Most significant bit shifted out first                              |    |    |    |    |    |    |    |    |    |    |    |    |    |    |    |    |    |   |   |   |   |   |   |   |   |   |   |
|                  |   |       | LsbFirst   | 1     | Least significant bit shifted out first                             |    |    |    |    |    |    |    |    |    |    |    |    |    |    |    |    |    |   |   |   |   |   |   |   |   |   |   |
| B                | RW  | CPHA  |            |       | Serial clock (SCK) phase  |    |    |    |    |    |    |    |    |    |    |    |    |    |    |    |    |    |   |   |   |   |   |   |   |   |   |   |
|                  |   |       | Leading    | 0     | Sample on leading edge of clock, shift serial data on trailing edge |    |    |    |    |    |    |    |    |    |    |    |    |    |    |    |    |    |   |   |   |   |   |   |   |   |   |   |
|                  |   |       | Trailing   | 1     | Sample on trailing edge of clock, shift serial data on leading edge |    |    |    |    |    |    |    |    |    |    |    |    |    |    |    |    |    |   |   |   |   |   |   |   |   |   |   |
| C                | RW  | CPOL  |            |       | Serial clock (SCK) polarity   |    |    |    |    |    |    |    |    |    |    |    |    |    |    |    |    |    |   |   |   |   |   |   |   |   |   |   |
|                  |   |       | ActiveHigh | 0     | Active high   |    |    |    |    |    |    |    |    |    |    |    |    |    |    |    |    |    |   |   |   |   |   |   |   |   |   |   |
|                  |   |       | ActiveLow  | 1     | Active low  |    |    |    |    |    |    |    |    |    |    |    |    |    |    |    |    |    |   |   |   |   |   |   |   |   |   |   |

### 6.25.6.29 IFTIMING.RXDELAY

Address offset: 0x560

Sample delay for input serial data on MISO

| Bit number       |            | 31 30 29 28 27 26 25 24 23 22 21 20 19 18 17 16 15 14 13 12 11 10 9 8 7 6 5 4 3 2 1 0 |        |  |  |  |  |  |  |  |  |  |  |  |  |  |  |  |  |  |  |  |  |  |  |  |  |       |  |
|------------------|------------|---|--------|--|--|--|--|--|--|--|--|--|--|--|--|--|--|--|--|--|--|--|--|--|--|--|--|-------|--|
| ID               |            |   |        |  |  |  |  |  |  |  |  |  |  |  |  |  |  |  |  |  |  |  |  |  |  |  |  | A A A |  |
| Reset 0x00000002 |            | 0 1 0                   |        |  |  |  |  |  |  |  |  |  |  |  |  |  |  |  |  |  |  |  |  |  |  |  |  |       |  |
| ID               | Acce Field | Value ID  | Value  | Description  |  |  |  |  |  |  |  |  |  |  |  |  |  |  |  |  |  |  |  |  |  |  |  |       |  |
| A                | RW RXDELAY |   | [7..0] | Sample delay for input serial data on MISO. The value specifies the number of 64 MHz clock cycles (15.625 ns) delay from the the sampling edge of SCK (leading edge for CONFIG.CPHA = 0, trailing edge for CONFIG.CPHA = 1) until the input serial data is sampled. As an example, if RXDELAY = 0 and CONFIG.CPHA = 0, the input serial data is sampled on the rising edge of SCK. |  |  |  |  |  |  |  |  |  |  |  |  |  |  |  |  |  |  |  |  |  |  |  |       |  |

### 6.25.6.30 IFTIMING.CSNDUR

Address offset: 0x564

Minimum duration between edge of CSN and edge of SCK and minimum duration CSN must stay high between transactions

| Bit number       |            | 31 30 29 28 27 26 25 24 23 22 21 20 19 18 17 16 15 14 13 12 11 10 9 8 7 6 5 4 3 2 1 0 |           |   |  |  |  |  |  |  |  |  |  |  |  |  |  |  |  |  |  |  |  |  |  |  |  |                 |  |
|------------------|------------|---|-----------|---|--|--|--|--|--|--|--|--|--|--|--|--|--|--|--|--|--|--|--|--|--|--|--|-----------------|--|
| ID               |            |   |           |   |  |  |  |  |  |  |  |  |  |  |  |  |  |  |  |  |  |  |  |  |  |  |  | A A A A A A A A |  |
| Reset 0x00000002 |            | 0 1 0                   |           |   |  |  |  |  |  |  |  |  |  |  |  |  |  |  |  |  |  |  |  |  |  |  |  |                 |  |
| ID               | Acce Field | Value ID  | Value     | Description   |  |  |  |  |  |  |  |  |  |  |  |  |  |  |  |  |  |  |  |  |  |  |  |                 |  |
| A                | RW CSNDUR  |   | [0xFF..0] | Minimum duration between edge of CSN and edge of SCK and minimum duration CSN must stay high between transactions. The value is specified in number of 64 MHz clock cycles (15.625 ns). |  |  |  |  |  |  |  |  |  |  |  |  |  |  |  |  |  |  |  |  |  |  |  |                 |  |

### 6.25.6.31 CSNPOL

Address offset: 0x568

Polarity of CSN output

| Bit number       |            | 31 30 29 28 27 26 25 24 23 22 21 20 19 18 17 16 15 14 13 12 11 10 9 8 7 6 5 4 3 2 1 0 |       |                              |  |  |  |  |  |  |  |  |  |  |  |  |  |  |  |  |  |  |  |  |  |  |  |   |  |
|------------------|------------|---|-------|------------------------------|--|--|--|--|--|--|--|--|--|--|--|--|--|--|--|--|--|--|--|--|--|--|--|---|--|
| ID               |            |   |       |                              |  |  |  |  |  |  |  |  |  |  |  |  |  |  |  |  |  |  |  |  |  |  |  | A |  |
| Reset 0x00000000 |            | 0                   |       |                              |  |  |  |  |  |  |  |  |  |  |  |  |  |  |  |  |  |  |  |  |  |  |  |   |  |
| ID               | Acce Field | Value ID  | Value | Description                  |  |  |  |  |  |  |  |  |  |  |  |  |  |  |  |  |  |  |  |  |  |  |  |   |  |
| A                | RW CSNPOL  |   |       | Polarity of CSN output       |  |  |  |  |  |  |  |  |  |  |  |  |  |  |  |  |  |  |  |  |  |  |  |   |  |
|                  |            | LOW   | 0     | Active low (idle state high) |  |  |  |  |  |  |  |  |  |  |  |  |  |  |  |  |  |  |  |  |  |  |  |   |  |
|                  |            | HIGH  | 1     | Active high (idle state low) |  |  |  |  |  |  |  |  |  |  |  |  |  |  |  |  |  |  |  |  |  |  |  |   |  |

### 6.25.6.32 PSELDCX

Address offset: 0x56C

Pin select for DCX signal

| Bit number       | 31  | 30           | 29      | 28          | 27 | 26 | 25 | 24 | 23 | 22 | 21 | 20 | 19 | 18 | 17 | 16 | 15 | 14 | 13 | 12 | 11 | 10 | 9 | 8 | 7 | 6 | 5 | 4 | 3 | 2 | 1 | 0 |   |   |   |
|------------------|---|--------------|---------|-------------|----|----|----|----|----|----|----|----|----|----|----|----|----|----|----|----|----|----|---|---|---|---|---|---|---|---|---|---|---|---|---|
| ID               | C   |              |         |             |    |    |    |    |    |    |    |    |    |    |    |    |    |    |    |    |    |    |   |   |   |   |   | B |   |   |   | A | A | A | A |
| Reset 0xFFFFFFFF | 1 |              |         |             |    |    |    |    |    |    |    |    |    |    |    |    |    |    |    |    |    |    |   |   |   |   |   |   |   |   |   |   |   |   |   |
| ID               | Acce Field  | Value ID     | Value   | Description |    |    |    |    |    |    |    |    |    |    |    |    |    |    |    |    |    |    |   |   |   |   |   |   |   |   |   |   |   |   |   |
| A                | RW PIN  |              | [0..31] | Pin number  |    |    |    |    |    |    |    |    |    |    |    |    |    |    |    |    |    |    |   |   |   |   |   |   |   |   |   |   |   |   |   |
| B                | RW PORT   |              | [0..1]  | Port number |    |    |    |    |    |    |    |    |    |    |    |    |    |    |    |    |    |    |   |   |   |   |   |   |   |   |   |   |   |   |   |
| C                | RW CONNECT  |              |         | Connection  |    |    |    |    |    |    |    |    |    |    |    |    |    |    |    |    |    |    |   |   |   |   |   |   |   |   |   |   |   |   |   |
|                  |   | Disconnected | 1       | Disconnect  |    |    |    |    |    |    |    |    |    |    |    |    |    |    |    |    |    |    |   |   |   |   |   |   |   |   |   |   |   |   |   |
|                  |   | Connected    | 0       | Connect     |    |    |    |    |    |    |    |    |    |    |    |    |    |    |    |    |    |    |   |   |   |   |   |   |   |   |   |   |   |   |   |

### 6.25.6.33 DCXCNT

Address offset: 0x570

DCX configuration

| Bit number       | 31  | 30       | 29       | 28   | 27 | 26 | 25 | 24 | 23 | 22 | 21 | 20 | 19 | 18 | 17 | 16 | 15 | 14 | 13 | 12 | 11 | 10 | 9 | 8 | 7 | 6 | 5 | 4 | 3 | 2 | 1 | 0 |   |   |
|------------------|---|----------|----------|--|----|----|----|----|----|----|----|----|----|----|----|----|----|----|----|----|----|----|---|---|---|---|---|---|---|---|---|---|---|---|
| ID               |   |          |          |  |    |    |    |    |    |    |    |    |    |    |    |    |    |    |    |    |    |    |   |   |   |   |   | A |   |   |   | A | A | A |
| Reset 0x00000000 | 0 |          |          |  |    |    |    |    |    |    |    |    |    |    |    |    |    |    |    |    |    |    |   |   |   |   |   |   |   |   |   |   |   |   |
| ID               | Acce Field  | Value ID | Value    | Description  |    |    |    |    |    |    |    |    |    |    |    |    |    |    |    |    |    |    |   |   |   |   |   |   |   |   |   |   |   |   |
| A                | RW DCXCNT   |          | 0x0..0xF | This register specifies the number of command bytes preceding the data bytes. The PSEL.DCX line will be low during transmission of command bytes and high during transmission of data bytes. Value 0xF indicates that all bytes are command bytes. |    |    |    |    |    |    |    |    |    |    |    |    |    |    |    |    |    |    |   |   |   |   |   |   |   |   |   |   |   |   |

### 6.25.6.34 ORC

Address offset: 0x5C0

Byte transmitted after TXD.MAXCNT bytes have been transmitted in the case when RXD.MAXCNT is greater than TXD.MAXCNT

| Bit number       | 31  | 30       | 29    | 28  | 27 | 26 | 25 | 24 | 23 | 22 | 21 | 20 | 19 | 18 | 17 | 16 | 15 | 14 | 13 | 12 | 11 | 10 | 9 | 8 | 7 | 6 | 5 | 4 | 3 | 2 | 1 | 0 |   |   |   |   |   |
|------------------|---|----------|-------|---|----|----|----|----|----|----|----|----|----|----|----|----|----|----|----|----|----|----|---|---|---|---|---|---|---|---|---|---|---|---|---|---|---|
| ID               |   |          |       |   |    |    |    |    |    |    |    |    |    |    |    |    |    |    |    |    |    |    |   |   |   |   |   | A |   |   |   | A | A | A | A | A | A |
| Reset 0x00000000 | 0 |          |       |   |    |    |    |    |    |    |    |    |    |    |    |    |    |    |    |    |    |    |   |   |   |   |   |   |   |   |   |   |   |   |   |   |   |
| ID               | Acce Field  | Value ID | Value | Description   |    |    |    |    |    |    |    |    |    |    |    |    |    |    |    |    |    |    |   |   |   |   |   |   |   |   |   |   |   |   |   |   |   |
| A                | RW ORC  |          |       | Byte transmitted after TXD.MAXCNT bytes have been transmitted in the case when RXD.MAXCNT is greater than TXD.MAXCNT. |    |    |    |    |    |    |    |    |    |    |    |    |    |    |    |    |    |    |   |   |   |   |   |   |   |   |   |   |   |   |   |   |   |

## 6.25.7 Electrical specification

### 6.25.7.1 Timing specifications

| Symbol             | Description                                  | Min.  | Typ. | Max.          | Units   |
|--------------------|--|-------|------|---------------|---------|
| $f_{SPIM}$         | Bit rates for SPIM <sup>32</sup>             |       |      | 32            | Mbps    |
| $t_{SPIM,START}$   | Time from START task to transmission started |       | 1    |               | $\mu$ s |
| $t_{SPIM,CSCCK}$   | SCK period                                   | 31.25 |      |               | ns      |
| $t_{SPIM,RSCK,LD}$ | SCK rise time, standard drive <sup>33</sup>  |       |      | $t_{RF,25pF}$ |         |

<sup>32</sup> High bit rates may require GPIOs to be set as High Drive, see GPIO chapter for more details.

<sup>33</sup> At 25 pF load, including GPIO pin capacitance, see [GPIO electrical specification](#).

| Symbol             | Description  | Min.           | Typ. | Max.           | Units |
|--------------------|--|----------------|------|----------------|-------|
| $t_{SPIM,RSCK,HD}$ | SCK rise time, high drive <sup>33</sup>            |                |      | $t_{HRE,25pF}$ |       |
| $t_{SPIM,FSCK,LD}$ | SCK fall time, standard drive <sup>33</sup>        |                |      | $t_{RF,25pF}$  |       |
| $t_{SPIM,FSCK,HD}$ | SCK fall time, high drive <sup>33</sup>            |                |      | $t_{HRE,25pF}$ |       |
| $t_{SPIM,WHSCk}$   | SCK high time <sup>33</sup>                        | $(t_{CSCK}/2)$ |      |                |       |
|                    |  | $- t_{RSCK}$   |      |                |       |
| $t_{SPIM,WLSCk}$   | SCK low time <sup>33</sup>                         | $(t_{CSCK}/2)$ |      |                |       |
|                    |  | $- t_{FSCK}$   |      |                |       |
| $t_{SPIM,SUMI}$    | MISO to CLK edge setup time                        | 19             |      |                | ns    |
| $t_{SPIM,HMI}$     | CLK edge to MISO hold time                         | 18             |      |                | ns    |
| $t_{SPIM,VMO}$     | CLK edge to MOSI valid, SCK frequency $\leq 8$ MHz |                |      | 59             | ns    |
| $t_{SPIM,VMO,HS}$  | CLK edge to MOSI valid, SCK frequency $> 8$ MHz    |                |      | 8              | ns    |
| $t_{SPIM,HMO}$     | MOSI hold time after CLK edge                      | 20             |      |                | ns    |

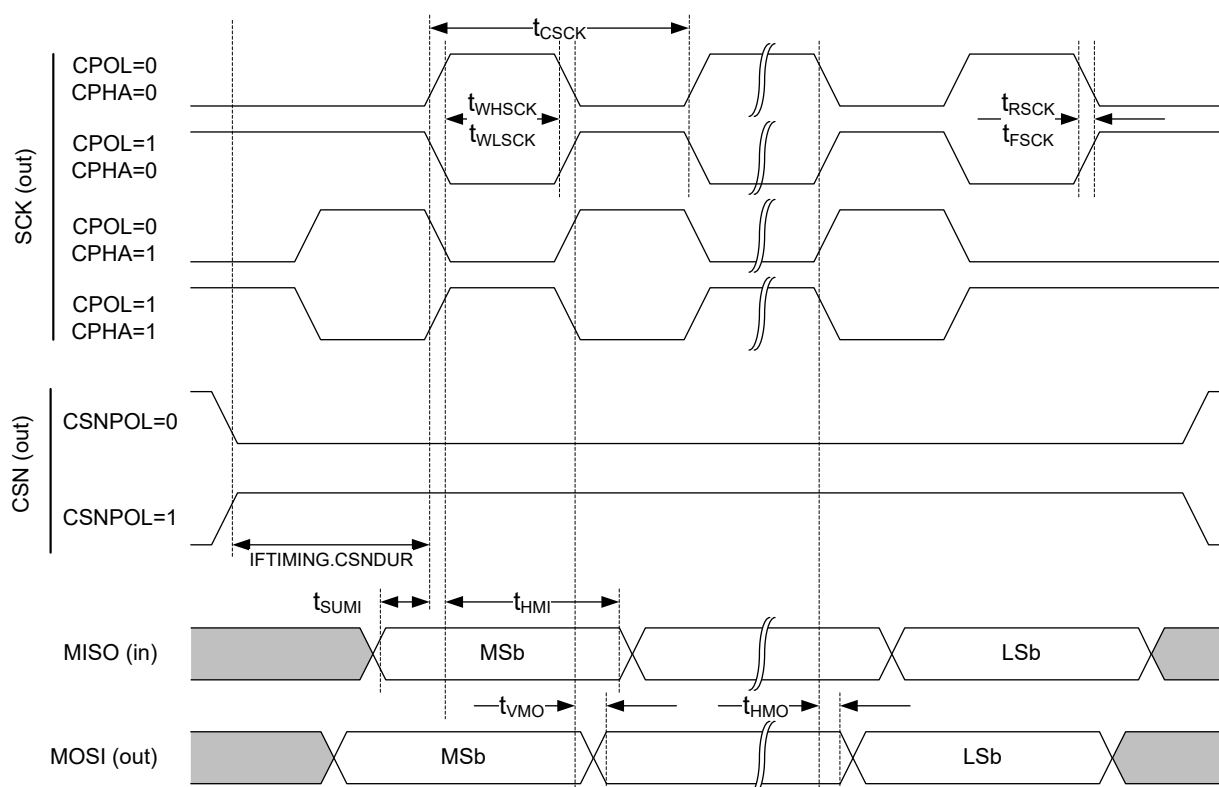


Figure 161: SPIM timing diagram

## 6.26 SPIS — Serial peripheral interface slave with EasyDMA

SPI slave (SPIS) is implemented with EasyDMA support for ultra-low power serial communication from an external SPI master. EasyDMA, in conjunction with hardware-based semaphore mechanisms, removes all real-time requirements associated with controlling the SPI slave from a low priority CPU execution context.

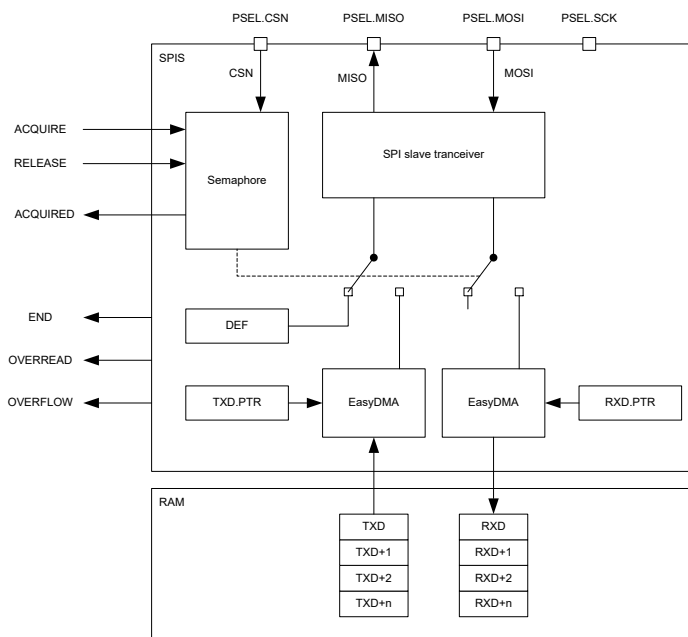


Figure 162: SPI slave

The SPIS supports SPI modes 0 through 3. The CONFIG register allows setting CPOL and CPHA appropriately.

| Mode      | Clock polarity  | Clock phase       |
|-----------|-----------------|-------------------|
|           | CPOL            | CPHA              |
| SPI_MODE0 | 0 (Active High) | 0 (Trailing Edge) |
| SPI_MODE1 | 0 (Active High) | 1 (Leading Edge)  |
| SPI_MODE2 | 1 (Active Low)  | 0 (Trailing Edge) |
| SPI_MODE3 | 1 (Active Low)  | 1 (Leading Edge)  |

Table 110: SPI modes

### 6.26.1 Shared resources

The SPI slave shares registers and other resources with other peripherals that have the same ID as the SPI slave. Therefore, you must disable all peripherals that have the same ID as the SPI slave before the SPI slave can be configured and used.

Disabling a peripheral that has the same ID as the SPI slave will not reset any of the registers that are shared with the SPI slave. It is important to configure all relevant SPI slave registers explicitly to secure that it operates correctly.

The Instantiation table in [Instantiation](#) on page 23 shows which peripherals have the same ID as the SPI slave.

### 6.26.2 EasyDMA

The SPIS implements EasyDMA for accessing RAM without CPU involvement.

The SPIS peripheral implements the following EasyDMA channels.

| Channel | Type   | Register Cluster |
|---------|--------|------------------|
| TXD     | READER | TXD              |
| RXD     | WRITER | RXD              |

Table 111: SPI EasyDMA Channels

For detailed information regarding the use of EasyDMA, see [EasyDMA](#) on page 47.

If RXD.MAXCNT is larger than TXD.MAXCNT, the remaining transmitted bytes will contain the value defined in the ORC register.

The END event indicates that EasyDMA has finished accessing the buffer in RAM.

### 6.26.3 SPI slave operation

SPI slave uses two memory pointers, RXD.PTR and TXD.PTR, that point to the RXD buffer (receive buffer) and TXD buffer (transmit buffer) respectively. Since these buffers are located in RAM, which can be accessed by both the SPI slave and the CPU, a hardware based semaphore mechanism is implemented to enable safe sharing.

See [SPI transaction when shortcut between END and ACQUIRE is enabled](#) on page 428.

Before the CPU can safely update the RXD.PTR and TXD.PTR pointers, it must first acquire the SPI semaphore. The CPU can acquire the semaphore by triggering the ACQUIRE task and then receiving the ACQUIRED event. When the CPU has updated the RXD.PTR and TXD.PTR pointers the CPU must release the semaphore before the SPI slave will be able to acquire it. The CPU releases the semaphore by triggering the RELEASE task. This is illustrated in [SPI transaction when shortcut between END and ACQUIRE is enabled](#) on page 428. Triggering the RELEASE task when the semaphore is not granted to the CPU will have no effect.

The semaphore mechanism does not, at any time, prevent the CPU from performing read or write access to the RXD.PTR register, the TXD.PTR registers, or the RAM that these pointers are pointing to. The semaphore is only telling when these can be updated by the CPU so that safe sharing is achieved.

The semaphore is by default assigned to the CPU after the SPI slave is enabled. No ACQUIRED event will be generated for this initial semaphore handover. An ACQUIRED event will be generated immediately if the ACQUIRE task is triggered while the semaphore is assigned to the CPU.

The SPI slave will try to acquire the semaphore when CSN goes low. If the SPI slave does not manage to acquire the semaphore at this point, the transaction will be ignored. This means that all incoming data on MOSI will be discarded, and the DEF (default) character will be clocked out on the MISO line throughout the whole transaction. This will also be the case even if the semaphore is released by the CPU during the transaction. In case of a race condition where the CPU and the SPI slave try to acquire the semaphore at the same time, as illustrated in lifeline item 2 in [SPI transaction when shortcut between END and ACQUIRE is enabled](#) on page 428, the semaphore will be granted to the CPU.

If the SPI slave acquires the semaphore, the transaction will be granted. The incoming data on MOSI will be stored in the RXD buffer and the data in the TXD buffer will be clocked out on MISO.

When a granted transaction is completed and CSN goes high, the SPI slave will automatically release the semaphore and generate the END event.

As long as the semaphore is available, the SPI slave can be granted multiple transactions one after the other. If the CPU is not able to reconfigure the TXD.PTR and RXD.PTR between granted transactions, the same TX data will be clocked out and the RX buffers will be overwritten. To prevent this from happening, the END\_ACQUIRE shortcut can be used. With this shortcut enabled, the semaphore will be handed over to the CPU automatically after the granted transaction has completed. This enables the CPU to update the TXPTR and RXPTR between every granted transaction.

If the CPU tries to acquire the semaphore while it is assigned to the SPI slave, an immediate handover will not be granted. However, the semaphore will be handed over to the CPU as soon as the SPI slave has released the semaphore after the granted transaction is completed. If the END\_ACQUIRE shortcut is enabled and the CPU has triggered the ACQUIRE task during a granted transaction, only one ACQUIRE request will be served following the END event.

The MAXRX register specifies the maximum number of bytes the SPI slave can receive in one granted transaction. If the SPI slave receives more than MAXRX number of bytes, an OVERFLOW will be indicated in the STATUS register and the incoming bytes will be discarded.

The MAXTX parameter specifies the maximum number of bytes the SPI slave can transmit in one granted transaction. If the SPI slave is forced to transmit more than MAXTX number of bytes, an OVERREAD will be indicated in the STATUS register and the ORC character will be clocked out.

The RXD.AMOUNT and TXD.AMOUNT registers are updated when a granted transaction is completed. The TXD.AMOUNT register indicates how many bytes were read from the TX buffer in the last transaction. This does not include the ORC (over-read) characters. Similarly, the RXD.AMOUNT register indicates how many bytes were written into the RX buffer in the last transaction.

The ENDRX event is generated when the RX buffer has been filled.

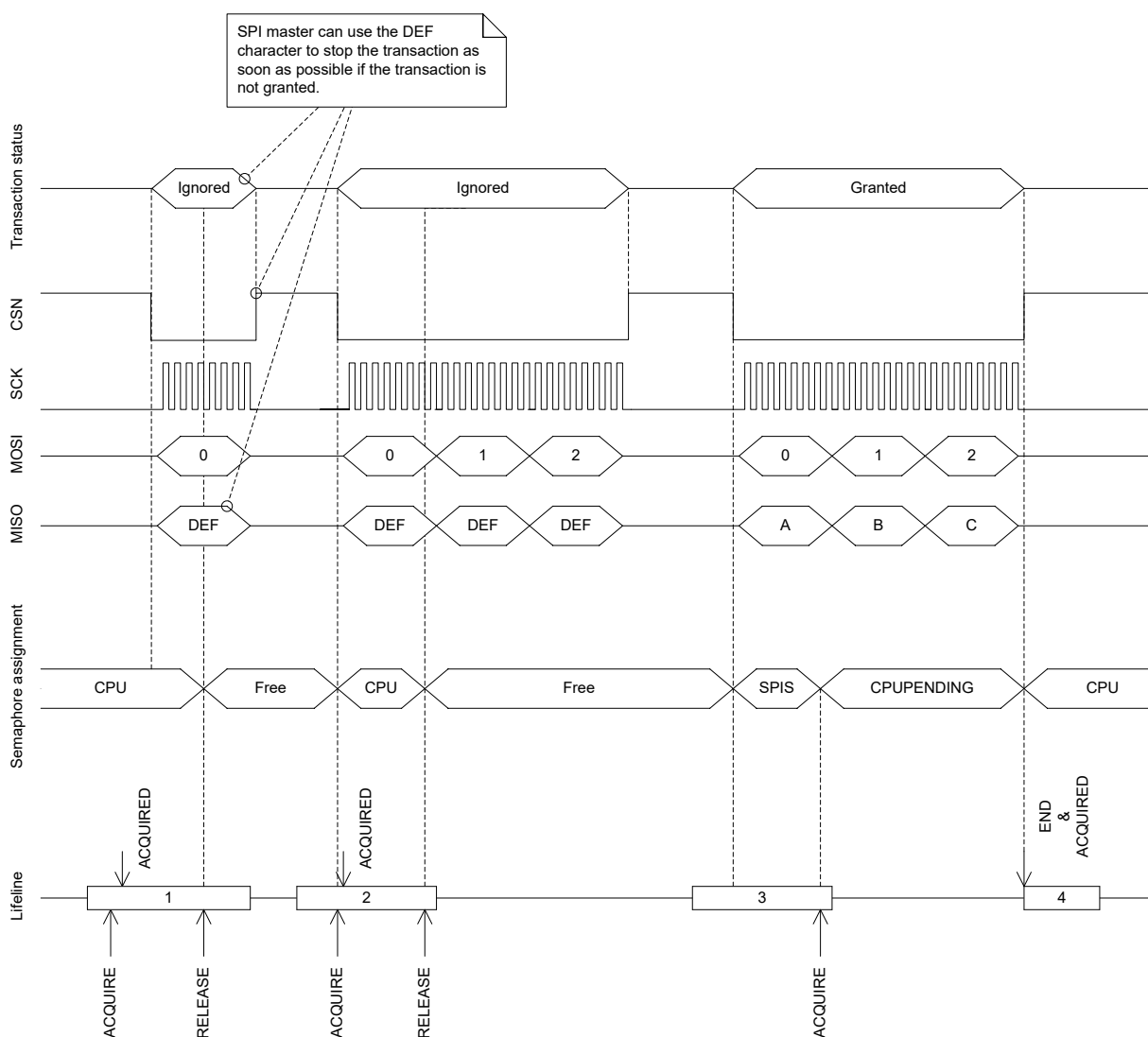


Figure 163: SPI transaction when shortcut between END and ACQUIRE is enabled



## 6.26.4 Pin configuration

The CSN, SCK, MOSI, and MISO signals associated with the SPI slave are mapped to physical pins according to the configuration specified in the PSEL.CSN, PSEL.SCK, PSEL.MOSI, and PSEL.MISO registers respectively. If the CONNECT field of any of these registers is set to Disconnected, the associated SPI slave signal will not be connected to any physical pins.

The PSEL.CSN, PSEL.SCK, PSEL.MOSI, and PSEL.MISO registers and their configurations are only used as long as the SPI slave is enabled, and retained only as long as the device is in System ON mode. See [POWER — Power supply](#) on page 64 chapter for more information about power modes. When the peripheral is disabled, the pins will behave as regular GPIOs and use the configuration in their respective OUT bit field and PIN\_CNF[n] register. PSEL.CSN, PSEL.SCK, PSEL.MOSI, and PSEL.MISO must only be configured when the SPI slave is disabled.

To secure correct behavior in the SPI slave, the pins used by the SPI slave must be configured in the GPIO peripheral as described in [GPIO configuration before enabling peripheral](#) on page 429 before enabling the SPI slave. This is to secure that the pins used by the SPI slave are driven correctly if the SPI slave itself is temporarily disabled, or if the device temporarily enters System OFF. This configuration must be retained in the GPIO for the selected I/Os as long as the SPI slave is to be recognized by an external SPI master.

The MISO line is set in high impedance as long as the SPI slave is not selected with CSN.

Only one peripheral can be assigned to drive a particular GPIO pin at a time. Failing to do so may result in unpredictable behavior.

| SPI signal | SPI pin                   | Direction | Output value   | Comment                                      |
|------------|---------------------------|-----------|----------------|--|
| CSN        | As specified in PSEL.CSN  | Input     | Not applicable |  |
| SCK        | As specified in PSEL.SCK  | Input     | Not applicable |  |
| MOSI       | As specified in PSEL.MOSI | Input     | Not applicable |  |
| MISO       | As specified in PSEL.MISO | Input     | Not applicable | Emulates that the SPI slave is not selected. |

Table 112: GPIO configuration before enabling peripheral

## 6.26.5 Registers

| Base address | Peripheral | Instance | Description | Configuration |
|--------------|------------|----------|-------------|---------------|
| 0x40003000   | SPIS       | SPI0     | SPI slave 0 |               |
| 0x40004000   | SPIS       | SPI1     | SPI slave 1 |               |
| 0x40023000   | SPIS       | SPI2     | SPI slave 2 |               |

Table 113: Instances

| Register        | Offset | Description   |
|-----------------|--------|---|
| TASKS_ACQUIRE   | 0x024  | Acquire SPI semaphore                                       |
| TASKS_RELEASE   | 0x028  | Release SPI semaphore, enabling the SPI slave to acquire it |
| EVENTS_END      | 0x104  | Granted transaction completed                               |
| EVENTS_ENDRX    | 0x110  | End of RXD buffer reached                                   |
| EVENTS_ACQUIRED | 0x128  | Semaphore acquired  |
| SHORTS          | 0x200  | Shortcuts between local events and tasks                    |
| INTENSET        | 0x304  | Enable interrupt  |
| INTENCLR        | 0x308  | Disable interrupt   |
| SEMSTAT         | 0x400  | Semaphore status register                                   |
| STATUS          | 0x440  | Status from last transaction                                |
| ENABLE          | 0x500  | Enable SPI slave  |
| PSEL.SCK        | 0x508  | Pin select for SCK  |

| Register   | Offset | Description   |            |
|------------|--------|---|------------|
| PSEL.MISO  | 0x50C  | Pin select for MISO signal  |            |
| PSEL.MOSI  | 0x510  | Pin select for MOSI signal  |            |
| PSEL.CSN   | 0x514  | Pin select for CSN signal   |            |
| PSELSCK    | 0x508  | Pin select for SCK  | Deprecated |
| PSELMISO   | 0x50C  | Pin select for MISO   | Deprecated |
| PSELMOSI   | 0x510  | Pin select for MOSI   | Deprecated |
| PSELCSN    | 0x514  | Pin select for CSN  | Deprecated |
| RXD.PTR    | 0x534  | RXD data pointer  | Deprecated |
| MAXRX      | 0x538  | Maximum number of bytes in receive buffer                                   | Deprecated |
| AMOUNTRX   | 0x53C  | Number of bytes received in last granted transaction                        | Deprecated |
| RXD.PTR    | 0x534  | RXD data pointer  |            |
| RXD.MAXCNT | 0x538  | Maximum number of bytes in receive buffer                                   |            |
| RXD.AMOUNT | 0x53C  | Number of bytes received in last granted transaction                        |            |
| RXD.LIST   | 0x540  | EasyDMA list type   |            |
| TXD.PTR    | 0x544  | TXD data pointer  | Deprecated |
| MAXTX      | 0x548  | Maximum number of bytes in transmit buffer                                  | Deprecated |
| AMOUNTTX   | 0x54C  | Number of bytes transmitted in last granted transaction                     | Deprecated |
| TXD.PTR    | 0x544  | TXD data pointer  |            |
| TXD.MAXCNT | 0x548  | Maximum number of bytes in transmit buffer                                  |            |
| TXD.AMOUNT | 0x54C  | Number of bytes transmitted in last granted transaction                     |            |
| TXD.LIST   | 0x550  | EasyDMA list type   |            |
| CONFIG     | 0x554  | Configuration register  |            |
| DEF        | 0x55C  | Default character. Character clocked out in case of an ignored transaction. |            |
| ORC        | 0x5C0  | Over-read character   |            |

Table 114: Register overview

### 6.26.5.1 TASKS\_ACQUIRE

Address offset: 0x024

Acquire SPI semaphore

| Bit number       | 31 30 29 28 27 26 25 24 23 22 21 20 19 18 17 16 15 14 13 12 11 10 9 8 7 6 5 4 3 2 1 0 |               |       |                                       |  |  |  |  |  |  |  |  |  |  |  |  |  |  |  |  |  |  |  |  |  |  |  |  |  |  |  |
|------------------|---|---------------|-------|---------------------------------------|--|--|--|--|--|--|--|--|--|--|--|--|--|--|--|--|--|--|--|--|--|--|--|--|--|--|--|
| ID               | A   |               |       |                                       |  |  |  |  |  |  |  |  |  |  |  |  |  |  |  |  |  |  |  |  |  |  |  |  |  |  |  |
| Reset 0x00000000 | 0           |               |       |                                       |  |  |  |  |  |  |  |  |  |  |  |  |  |  |  |  |  |  |  |  |  |  |  |  |  |  |  |
| ID               | Acc Field   | Value ID      | Value | Description                           |  |  |  |  |  |  |  |  |  |  |  |  |  |  |  |  |  |  |  |  |  |  |  |  |  |  |  |
| A                | W   | TASKS_ACQUIRE | 1     | Acquire SPI semaphore<br>Trigger task |  |  |  |  |  |  |  |  |  |  |  |  |  |  |  |  |  |  |  |  |  |  |  |  |  |  |  |

### 6.26.5.2 TASKS\_RELEASE

Address offset: 0x028

Release SPI semaphore, enabling the SPI slave to acquire it

| Bit number       | 31 30 29 28 27 26 25 24 23 22 21 20 19 18 17 16 15 14 13 12 11 10 9 8 7 6 5 4 3 2 1 0 |               |       |   |  |  |  |  |  |  |  |  |  |  |  |  |  |  |  |  |  |  |  |  |  |  |  |  |  |  |  |
|------------------|---|---------------|-------|---|--|--|--|--|--|--|--|--|--|--|--|--|--|--|--|--|--|--|--|--|--|--|--|--|--|--|--|
| ID               | A   |               |       |   |  |  |  |  |  |  |  |  |  |  |  |  |  |  |  |  |  |  |  |  |  |  |  |  |  |  |  |
| Reset 0x00000000 | 0           |               |       |   |  |  |  |  |  |  |  |  |  |  |  |  |  |  |  |  |  |  |  |  |  |  |  |  |  |  |  |
| ID               | Acc Field   | Value ID      | Value | Description   |  |  |  |  |  |  |  |  |  |  |  |  |  |  |  |  |  |  |  |  |  |  |  |  |  |  |  |
| A                | W   | TASKS_RELEASE | 1     | Release SPI semaphore, enabling the SPI slave to acquire it<br>Trigger task |  |  |  |  |  |  |  |  |  |  |  |  |  |  |  |  |  |  |  |  |  |  |  |  |  |  |  |

### 6.26.5.3 EVENTS\_END

Address offset: 0x104

Granted transaction completed

| Bit number       | 31 30 29 28 27 26 25 24 23 22 21 20 19 18 17 16 15 14 13 12 11 10 9 8 7 6 5 4 3 2 1 0 |              |       |                               |  |  |  |  |  |  |  |  |  |  |  |  |  |  |  |  |  |  |  |  |  |  |  |  |  |  |  |
|------------------|---|--------------|-------|-------------------------------|--|--|--|--|--|--|--|--|--|--|--|--|--|--|--|--|--|--|--|--|--|--|--|--|--|--|--|
| ID               | A   |              |       |                               |  |  |  |  |  |  |  |  |  |  |  |  |  |  |  |  |  |  |  |  |  |  |  |  |  |  |  |
| Reset 0x00000000 | 0           |              |       |                               |  |  |  |  |  |  |  |  |  |  |  |  |  |  |  |  |  |  |  |  |  |  |  |  |  |  |  |
| ID               | Acce Field  | Value ID     | Value | Description                   |  |  |  |  |  |  |  |  |  |  |  |  |  |  |  |  |  |  |  |  |  |  |  |  |  |  |  |
| A                | RW  | EVENTS_END   |       | Granted transaction completed |  |  |  |  |  |  |  |  |  |  |  |  |  |  |  |  |  |  |  |  |  |  |  |  |  |  |  |
|                  |   | NotGenerated | 0     | Event not generated           |  |  |  |  |  |  |  |  |  |  |  |  |  |  |  |  |  |  |  |  |  |  |  |  |  |  |  |
|                  |   | Generated    | 1     | Event generated               |  |  |  |  |  |  |  |  |  |  |  |  |  |  |  |  |  |  |  |  |  |  |  |  |  |  |  |

### 6.26.5.4 EVENTS\_ENDRX

Address offset: 0x110

End of RXD buffer reached

| Bit number       | 31 30 29 28 27 26 25 24 23 22 21 20 19 18 17 16 15 14 13 12 11 10 9 8 7 6 5 4 3 2 1 0 |              |       |                           |  |  |  |  |  |  |  |  |  |  |  |  |  |  |  |  |  |  |  |  |  |  |  |  |  |  |  |
|------------------|---|--------------|-------|---------------------------|--|--|--|--|--|--|--|--|--|--|--|--|--|--|--|--|--|--|--|--|--|--|--|--|--|--|--|
| ID               | A   |              |       |                           |  |  |  |  |  |  |  |  |  |  |  |  |  |  |  |  |  |  |  |  |  |  |  |  |  |  |  |
| Reset 0x00000000 | 0           |              |       |                           |  |  |  |  |  |  |  |  |  |  |  |  |  |  |  |  |  |  |  |  |  |  |  |  |  |  |  |
| ID               | Acce Field  | Value ID     | Value | Description               |  |  |  |  |  |  |  |  |  |  |  |  |  |  |  |  |  |  |  |  |  |  |  |  |  |  |  |
| A                | RW  | EVENTS_ENDRX |       | End of RXD buffer reached |  |  |  |  |  |  |  |  |  |  |  |  |  |  |  |  |  |  |  |  |  |  |  |  |  |  |  |
|                  |   | NotGenerated | 0     | Event not generated       |  |  |  |  |  |  |  |  |  |  |  |  |  |  |  |  |  |  |  |  |  |  |  |  |  |  |  |
|                  |   | Generated    | 1     | Event generated           |  |  |  |  |  |  |  |  |  |  |  |  |  |  |  |  |  |  |  |  |  |  |  |  |  |  |  |

### 6.26.5.5 EVENTS\_ACQUIRED

Address offset: 0x128

Semaphore acquired

| Bit number       | 31 30 29 28 27 26 25 24 23 22 21 20 19 18 17 16 15 14 13 12 11 10 9 8 7 6 5 4 3 2 1 0 |                 |       |                     |  |  |  |  |  |  |  |  |  |  |  |  |  |  |  |  |  |  |  |  |  |  |  |  |  |  |  |
|------------------|---|-----------------|-------|---------------------|--|--|--|--|--|--|--|--|--|--|--|--|--|--|--|--|--|--|--|--|--|--|--|--|--|--|--|
| ID               | A   |                 |       |                     |  |  |  |  |  |  |  |  |  |  |  |  |  |  |  |  |  |  |  |  |  |  |  |  |  |  |  |
| Reset 0x00000000 | 0           |                 |       |                     |  |  |  |  |  |  |  |  |  |  |  |  |  |  |  |  |  |  |  |  |  |  |  |  |  |  |  |
| ID               | Acce Field  | Value ID        | Value | Description         |  |  |  |  |  |  |  |  |  |  |  |  |  |  |  |  |  |  |  |  |  |  |  |  |  |  |  |
| A                | RW  | EVENTS_ACQUIRED |       | Semaphore acquired  |  |  |  |  |  |  |  |  |  |  |  |  |  |  |  |  |  |  |  |  |  |  |  |  |  |  |  |
|                  |   | NotGenerated    | 0     | Event not generated |  |  |  |  |  |  |  |  |  |  |  |  |  |  |  |  |  |  |  |  |  |  |  |  |  |  |  |
|                  |   | Generated       | 1     | Event generated     |  |  |  |  |  |  |  |  |  |  |  |  |  |  |  |  |  |  |  |  |  |  |  |  |  |  |  |

### 6.26.5.6 SHORTS

Address offset: 0x200

Shortcuts between local events and tasks

| Bit number       | 31 30 29 28 27 26 25 24 23 22 21 20 19 18 17 16 15 14 13 12 11 10 9 8 7 6 5 4 3 2 1 0 |             |       |   |  |  |  |  |  |  |  |  |  |  |  |  |  |  |  |  |  |  |  |  |  |  |  |  |  |  |  |
|------------------|---|-------------|-------|---|--|--|--|--|--|--|--|--|--|--|--|--|--|--|--|--|--|--|--|--|--|--|--|--|--|--|--|
| ID               | A   |             |       |   |  |  |  |  |  |  |  |  |  |  |  |  |  |  |  |  |  |  |  |  |  |  |  |  |  |  |  |
| Reset 0x00000000 | 0           |             |       |   |  |  |  |  |  |  |  |  |  |  |  |  |  |  |  |  |  |  |  |  |  |  |  |  |  |  |  |
| ID               | Acce Field  | Value ID    | Value | Description                                 |  |  |  |  |  |  |  |  |  |  |  |  |  |  |  |  |  |  |  |  |  |  |  |  |  |  |  |
| A                | RW  | END_ACQUIRE |       | Shortcut between event END and task ACQUIRE |  |  |  |  |  |  |  |  |  |  |  |  |  |  |  |  |  |  |  |  |  |  |  |  |  |  |  |
|                  |   | Disabled    | 0     | Disable shortcut                            |  |  |  |  |  |  |  |  |  |  |  |  |  |  |  |  |  |  |  |  |  |  |  |  |  |  |  |
|                  |   | Enabled     | 1     | Enable shortcut                             |  |  |  |  |  |  |  |  |  |  |  |  |  |  |  |  |  |  |  |  |  |  |  |  |  |  |  |

### 6.26.5.7 INTENSET

Address offset: 0x304

Enable interrupt

| Bit number       | 31 30 29 28 27 26 25 24 23 22 21 20 19 18 17 16 15 14 13 12 11 10 9 8 7 6 5 4 3 2 1 0 |          |       |  |  |  |  |  |  |  |  |  |  |  |  |  |  |  |  |  |  |  |  |  |  |  |  |   |  |  |   |  |   |
|------------------|---|----------|-------|--|--|--|--|--|--|--|--|--|--|--|--|--|--|--|--|--|--|--|--|--|--|--|--|---|--|--|---|--|---|
| ID               |   |          |       |  |  |  |  |  |  |  |  |  |  |  |  |  |  |  |  |  |  |  |  |  |  |  |  | C |  |  | B |  | A |
| Reset 0x00000000 | 0                       |          |       |  |  |  |  |  |  |  |  |  |  |  |  |  |  |  |  |  |  |  |  |  |  |  |  |   |  |  |   |  |   |
| ID               | Acce Field  | Value ID | Value | Description  |  |  |  |  |  |  |  |  |  |  |  |  |  |  |  |  |  |  |  |  |  |  |  |   |  |  |   |  |   |
| A                | RW END  |          |       | Write '1' to enable interrupt for event <a href="#">END</a>      |  |  |  |  |  |  |  |  |  |  |  |  |  |  |  |  |  |  |  |  |  |  |  |   |  |  |   |  |   |
|                  |   | Set      | 1     | Enable   |  |  |  |  |  |  |  |  |  |  |  |  |  |  |  |  |  |  |  |  |  |  |  |   |  |  |   |  |   |
|                  |   | Disabled | 0     | Read: Disabled   |  |  |  |  |  |  |  |  |  |  |  |  |  |  |  |  |  |  |  |  |  |  |  |   |  |  |   |  |   |
|                  |   | Enabled  | 1     | Read: Enabled  |  |  |  |  |  |  |  |  |  |  |  |  |  |  |  |  |  |  |  |  |  |  |  |   |  |  |   |  |   |
| B                | RW ENDRX  |          |       | Write '1' to enable interrupt for event <a href="#">ENDRX</a>    |  |  |  |  |  |  |  |  |  |  |  |  |  |  |  |  |  |  |  |  |  |  |  |   |  |  |   |  |   |
|                  |   | Set      | 1     | Enable   |  |  |  |  |  |  |  |  |  |  |  |  |  |  |  |  |  |  |  |  |  |  |  |   |  |  |   |  |   |
|                  |   | Disabled | 0     | Read: Disabled   |  |  |  |  |  |  |  |  |  |  |  |  |  |  |  |  |  |  |  |  |  |  |  |   |  |  |   |  |   |
|                  |   | Enabled  | 1     | Read: Enabled  |  |  |  |  |  |  |  |  |  |  |  |  |  |  |  |  |  |  |  |  |  |  |  |   |  |  |   |  |   |
| C                | RW ACQUIRED   |          |       | Write '1' to enable interrupt for event <a href="#">ACQUIRED</a> |  |  |  |  |  |  |  |  |  |  |  |  |  |  |  |  |  |  |  |  |  |  |  |   |  |  |   |  |   |
|                  |   | Set      | 1     | Enable   |  |  |  |  |  |  |  |  |  |  |  |  |  |  |  |  |  |  |  |  |  |  |  |   |  |  |   |  |   |
|                  |   | Disabled | 0     | Read: Disabled   |  |  |  |  |  |  |  |  |  |  |  |  |  |  |  |  |  |  |  |  |  |  |  |   |  |  |   |  |   |
|                  |   | Enabled  | 1     | Read: Enabled  |  |  |  |  |  |  |  |  |  |  |  |  |  |  |  |  |  |  |  |  |  |  |  |   |  |  |   |  |   |

### 6.26.5.8 INTENCLR

Address offset: 0x308

Disable interrupt

| Bit number       | 31 30 29 28 27 26 25 24 23 22 21 20 19 18 17 16 15 14 13 12 11 10 9 8 7 6 5 4 3 2 1 0 |          |       |   |  |  |  |  |  |  |  |  |  |  |  |  |  |  |  |  |  |  |  |  |  |  |  |   |  |  |   |  |   |
|------------------|---|----------|-------|---|--|--|--|--|--|--|--|--|--|--|--|--|--|--|--|--|--|--|--|--|--|--|--|---|--|--|---|--|---|
| ID               |   |          |       |   |  |  |  |  |  |  |  |  |  |  |  |  |  |  |  |  |  |  |  |  |  |  |  | C |  |  | B |  | A |
| Reset 0x00000000 | 0                       |          |       |   |  |  |  |  |  |  |  |  |  |  |  |  |  |  |  |  |  |  |  |  |  |  |  |   |  |  |   |  |   |
| ID               | Acce Field  | Value ID | Value | Description   |  |  |  |  |  |  |  |  |  |  |  |  |  |  |  |  |  |  |  |  |  |  |  |   |  |  |   |  |   |
| A                | RW END  |          |       | Write '1' to disable interrupt for event <a href="#">END</a>      |  |  |  |  |  |  |  |  |  |  |  |  |  |  |  |  |  |  |  |  |  |  |  |   |  |  |   |  |   |
|                  |   | Clear    | 1     | Disable   |  |  |  |  |  |  |  |  |  |  |  |  |  |  |  |  |  |  |  |  |  |  |  |   |  |  |   |  |   |
|                  |   | Disabled | 0     | Read: Disabled  |  |  |  |  |  |  |  |  |  |  |  |  |  |  |  |  |  |  |  |  |  |  |  |   |  |  |   |  |   |
|                  |   | Enabled  | 1     | Read: Enabled   |  |  |  |  |  |  |  |  |  |  |  |  |  |  |  |  |  |  |  |  |  |  |  |   |  |  |   |  |   |
| B                | RW ENDRX  |          |       | Write '1' to disable interrupt for event <a href="#">ENDRX</a>    |  |  |  |  |  |  |  |  |  |  |  |  |  |  |  |  |  |  |  |  |  |  |  |   |  |  |   |  |   |
|                  |   | Clear    | 1     | Disable   |  |  |  |  |  |  |  |  |  |  |  |  |  |  |  |  |  |  |  |  |  |  |  |   |  |  |   |  |   |
|                  |   | Disabled | 0     | Read: Disabled  |  |  |  |  |  |  |  |  |  |  |  |  |  |  |  |  |  |  |  |  |  |  |  |   |  |  |   |  |   |
|                  |   | Enabled  | 1     | Read: Enabled   |  |  |  |  |  |  |  |  |  |  |  |  |  |  |  |  |  |  |  |  |  |  |  |   |  |  |   |  |   |
| C                | RW ACQUIRED   |          |       | Write '1' to disable interrupt for event <a href="#">ACQUIRED</a> |  |  |  |  |  |  |  |  |  |  |  |  |  |  |  |  |  |  |  |  |  |  |  |   |  |  |   |  |   |
|                  |   | Clear    | 1     | Disable   |  |  |  |  |  |  |  |  |  |  |  |  |  |  |  |  |  |  |  |  |  |  |  |   |  |  |   |  |   |
|                  |   | Disabled | 0     | Read: Disabled  |  |  |  |  |  |  |  |  |  |  |  |  |  |  |  |  |  |  |  |  |  |  |  |   |  |  |   |  |   |
|                  |   | Enabled  | 1     | Read: Enabled   |  |  |  |  |  |  |  |  |  |  |  |  |  |  |  |  |  |  |  |  |  |  |  |   |  |  |   |  |   |

### 6.26.5.9 SEMSTAT

Address offset: 0x400

Semaphore status register

| Bit number              | 31   | 30      | 29         | 28    | 27  | 26 | 25 | 24 | 23 | 22 | 21 | 20 | 19 | 18 | 17 | 16 | 15 | 14 | 13 | 12 | 11 | 10 | 9 | 8 | 7 | 6 | 5 | 4 | 3 | 2 | 1 | 0 |
|-------------------------|------|---------|------------|-------|---|----|----|----|----|----|----|----|----|----|----|----|----|----|----|----|----|----|---|---|---|---|---|---|---|---|---|---|
| ID                      |      |         |            |       |   |    |    |    |    |    |    |    |    |    |    |    |    |    |    |    |    |    |   |   |   |   | A | A |   |   |   |   |
| <b>Reset 0x00000001</b> | 0    |         |            |       |   |    |    |    |    |    |    |    |    |    |    |    | 0  |    |    |    |    |    |   |   |   |   | 0 | 1 |   |   |   |   |
| ID                      | Acce | Field   | Value ID   | Value | Description   |    |    |    |    |    |    |    |    |    |    |    |    |    |    |    |    |    |   |   |   |   |   |   |   |   |   |   |
| A                       | R    | SEMSTAT |            |       | Semaphore status  |    |    |    |    |    |    |    |    |    |    |    |    |    |    |    |    |    |   |   |   |   |   |   |   |   |   |   |
|                         |      |         | Free       | 0     | Semaphore is free   |    |    |    |    |    |    |    |    |    |    |    |    |    |    |    |    |    |   |   |   |   |   |   |   |   |   |   |
|                         |      |         | CPU        | 1     | Semaphore is assigned to CPU                                      |    |    |    |    |    |    |    |    |    |    |    |    |    |    |    |    |    |   |   |   |   |   |   |   |   |   |   |
|                         |      |         | SPIS       | 2     | Semaphore is assigned to SPI slave                                |    |    |    |    |    |    |    |    |    |    |    |    |    |    |    |    |    |   |   |   |   |   |   |   |   |   |   |
|                         |      |         | CPUPending | 3     | Semaphore is assigned to SPI but a handover to the CPU is pending |    |    |    |    |    |    |    |    |    |    |    |    |    |    |    |    |    |   |   |   |   |   |   |   |   |   |   |

### 6.26.5.10 STATUS

Address offset: 0x440

Status from last transaction

Individual bits are cleared by writing a 1 to the bits that shall be cleared

| Bit number              | 31   | 30       | 29         | 28    | 27  | 26 | 25 | 24 | 23 | 22 | 21 | 20 | 19 | 18 | 17 | 16 | 15 | 14 | 13 | 12 | 11 | 10 | 9 | 8 | 7 | 6 | 5 | 4 | 3 | 2 | 1 | 0 |
|-------------------------|------|----------|------------|-------|---|----|----|----|----|----|----|----|----|----|----|----|----|----|----|----|----|----|---|---|---|---|---|---|---|---|---|---|
| ID                      |      |          |            |       |   |    |    |    |    |    |    |    |    |    |    |    |    |    |    |    |    |    |   |   |   |   | B | A |   |   |   |   |
| <b>Reset 0x00000000</b> | 0    |          |            |       |   |    |    |    |    |    |    |    |    |    |    |    | 0  |    |    |    |    |    |   |   |   |   | 0 | 0 |   |   |   |   |
| ID                      | Acce | Field    | Value ID   | Value | Description                                 |    |    |    |    |    |    |    |    |    |    |    |    |    |    |    |    |    |   |   |   |   |   |   |   |   |   |   |
| A                       | RW   | OVERREAD |            |       | TX buffer over-read detected, and prevented |    |    |    |    |    |    |    |    |    |    |    |    |    |    |    |    |    |   |   |   |   |   |   |   |   |   |   |
|                         |      |          | NotPresent | 0     | Read: error not present                     |    |    |    |    |    |    |    |    |    |    |    |    |    |    |    |    |    |   |   |   |   |   |   |   |   |   |   |
|                         |      |          | Present    | 1     | Read: error present                         |    |    |    |    |    |    |    |    |    |    |    |    |    |    |    |    |    |   |   |   |   |   |   |   |   |   |   |
|                         |      |          | Clear      | 1     | Write: clear error on writing '1'           |    |    |    |    |    |    |    |    |    |    |    |    |    |    |    |    |    |   |   |   |   |   |   |   |   |   |   |
| B                       | RW   | OVERFLOW |            |       | RX buffer overflow detected, and prevented  |    |    |    |    |    |    |    |    |    |    |    |    |    |    |    |    |    |   |   |   |   |   |   |   |   |   |   |
|                         |      |          | NotPresent | 0     | Read: error not present                     |    |    |    |    |    |    |    |    |    |    |    |    |    |    |    |    |    |   |   |   |   |   |   |   |   |   |   |
|                         |      |          | Present    | 1     | Read: error present                         |    |    |    |    |    |    |    |    |    |    |    |    |    |    |    |    |    |   |   |   |   |   |   |   |   |   |   |
|                         |      |          | Clear      | 1     | Write: clear error on writing '1'           |    |    |    |    |    |    |    |    |    |    |    |    |    |    |    |    |    |   |   |   |   |   |   |   |   |   |   |

### 6.26.5.11 ENABLE

Address offset: 0x500

Enable SPI slave

| Bit number              | 31   | 30     | 29       | 28    | 27                          | 26 | 25 | 24 | 23 | 22 | 21 | 20 | 19 | 18 | 17 | 16 | 15 | 14 | 13 | 12 | 11 | 10 | 9 | 8 | 7 | 6 | 5 | 4 | 3 | 2 | 1 | 0 |
|-------------------------|------|--------|----------|-------|-----------------------------|----|----|----|----|----|----|----|----|----|----|----|----|----|----|----|----|----|---|---|---|---|---|---|---|---|---|---|
| ID                      |      |        |          |       |                             |    |    |    |    |    |    |    |    |    |    |    |    |    |    |    |    |    |   |   |   |   | A | A | A | A |   |   |
| <b>Reset 0x00000000</b> | 0    |        |          |       |                             |    |    |    |    |    |    |    |    |    |    |    | 0  |    |    |    |    |    |   |   |   |   | 0 | 0 | 0 | 0 |   |   |
| ID                      | Acce | Field  | Value ID | Value | Description                 |    |    |    |    |    |    |    |    |    |    |    |    |    |    |    |    |    |   |   |   |   |   |   |   |   |   |   |
| A                       | RW   | ENABLE |          |       | Enable or disable SPI slave |    |    |    |    |    |    |    |    |    |    |    |    |    |    |    |    |    |   |   |   |   |   |   |   |   |   |   |
|                         |      |        | Disabled | 0     | Disable SPI slave           |    |    |    |    |    |    |    |    |    |    |    |    |    |    |    |    |    |   |   |   |   |   |   |   |   |   |   |
|                         |      |        | Enabled  | 2     | Enable SPI slave            |    |    |    |    |    |    |    |    |    |    |    |    |    |    |    |    |    |   |   |   |   |   |   |   |   |   |   |

### 6.26.5.12 PSEL.SCK

Address offset: 0x508

Pin select for SCK

| Bit number       | 31         | 30           | 29      | 28          | 27 | 26 | 25 | 24 | 23 | 22 | 21 | 20 | 19 | 18 | 17 | 16 | 15 | 14 | 13 | 12 | 11 | 10 | 9 | 8 | 7 | 6 | 5 | 4 | 3 | 2 | 1 | 0 |   |
|------------------|------------|--------------|---------|-------------|----|----|----|----|----|----|----|----|----|----|----|----|----|----|----|----|----|----|---|---|---|---|---|---|---|---|---|---|---|
| ID               | C          |              |         |             |    |    |    |    |    |    |    |    |    |    |    |    |    |    |    |    |    |    |   |   |   |   |   | B | A | A | A | A | A |
| Reset 0xFFFFFFFF | 1          | 1            | 1       | 1           | 1  | 1  | 1  | 1  | 1  | 1  | 1  | 1  | 1  | 1  | 1  | 1  | 1  | 1  | 1  | 1  | 1  | 1  | 1 | 1 | 1 | 1 | 1 | 1 | 1 | 1 | 1 |   |   |
| ID               | Acce Field | Value ID     | Value   | Description |    |    |    |    |    |    |    |    |    |    |    |    |    |    |    |    |    |    |   |   |   |   |   |   |   |   |   |   |   |
| A                | RW PIN     |              | [0..31] | Pin number  |    |    |    |    |    |    |    |    |    |    |    |    |    |    |    |    |    |    |   |   |   |   |   |   |   |   |   |   |   |
| B                | RW PORT    |              | [0..1]  | Port number |    |    |    |    |    |    |    |    |    |    |    |    |    |    |    |    |    |    |   |   |   |   |   |   |   |   |   |   |   |
| C                | RW CONNECT |              |         | Connection  |    |    |    |    |    |    |    |    |    |    |    |    |    |    |    |    |    |    |   |   |   |   |   |   |   |   |   |   |   |
|                  |            | Disconnected | 1       | Disconnect  |    |    |    |    |    |    |    |    |    |    |    |    |    |    |    |    |    |    |   |   |   |   |   |   |   |   |   |   |   |
|                  |            | Connected    | 0       | Connect     |    |    |    |    |    |    |    |    |    |    |    |    |    |    |    |    |    |    |   |   |   |   |   |   |   |   |   |   |   |

### 6.26.5.13 PSEL.MISO

Address offset: 0x50C

Pin select for MISO signal

| Bit number       | 31         | 30           | 29      | 28          | 27 | 26 | 25 | 24 | 23 | 22 | 21 | 20 | 19 | 18 | 17 | 16 | 15 | 14 | 13 | 12 | 11 | 10 | 9 | 8 | 7 | 6 | 5 | 4 | 3 | 2 | 1 | 0 |   |
|------------------|------------|--------------|---------|-------------|----|----|----|----|----|----|----|----|----|----|----|----|----|----|----|----|----|----|---|---|---|---|---|---|---|---|---|---|---|
| ID               | C          |              |         |             |    |    |    |    |    |    |    |    |    |    |    |    |    |    |    |    |    |    |   |   |   |   |   | B | A | A | A | A | A |
| Reset 0xFFFFFFFF | 1          | 1            | 1       | 1           | 1  | 1  | 1  | 1  | 1  | 1  | 1  | 1  | 1  | 1  | 1  | 1  | 1  | 1  | 1  | 1  | 1  | 1  | 1 | 1 | 1 | 1 | 1 | 1 | 1 | 1 | 1 |   |   |
| ID               | Acce Field | Value ID     | Value   | Description |    |    |    |    |    |    |    |    |    |    |    |    |    |    |    |    |    |    |   |   |   |   |   |   |   |   |   |   |   |
| A                | RW PIN     |              | [0..31] | Pin number  |    |    |    |    |    |    |    |    |    |    |    |    |    |    |    |    |    |    |   |   |   |   |   |   |   |   |   |   |   |
| B                | RW PORT    |              | [0..1]  | Port number |    |    |    |    |    |    |    |    |    |    |    |    |    |    |    |    |    |    |   |   |   |   |   |   |   |   |   |   |   |
| C                | RW CONNECT |              |         | Connection  |    |    |    |    |    |    |    |    |    |    |    |    |    |    |    |    |    |    |   |   |   |   |   |   |   |   |   |   |   |
|                  |            | Disconnected | 1       | Disconnect  |    |    |    |    |    |    |    |    |    |    |    |    |    |    |    |    |    |    |   |   |   |   |   |   |   |   |   |   |   |
|                  |            | Connected    | 0       | Connect     |    |    |    |    |    |    |    |    |    |    |    |    |    |    |    |    |    |    |   |   |   |   |   |   |   |   |   |   |   |

### 6.26.5.14 PSEL.MOSI

Address offset: 0x510

Pin select for MOSI signal

| Bit number       | 31         | 30           | 29      | 28          | 27 | 26 | 25 | 24 | 23 | 22 | 21 | 20 | 19 | 18 | 17 | 16 | 15 | 14 | 13 | 12 | 11 | 10 | 9 | 8 | 7 | 6 | 5 | 4 | 3 | 2 | 1 | 0 |   |
|------------------|------------|--------------|---------|-------------|----|----|----|----|----|----|----|----|----|----|----|----|----|----|----|----|----|----|---|---|---|---|---|---|---|---|---|---|---|
| ID               | C          |              |         |             |    |    |    |    |    |    |    |    |    |    |    |    |    |    |    |    |    |    |   |   |   |   |   | B | A | A | A | A | A |
| Reset 0xFFFFFFFF | 1          | 1            | 1       | 1           | 1  | 1  | 1  | 1  | 1  | 1  | 1  | 1  | 1  | 1  | 1  | 1  | 1  | 1  | 1  | 1  | 1  | 1  | 1 | 1 | 1 | 1 | 1 | 1 | 1 | 1 | 1 |   |   |
| ID               | Acce Field | Value ID     | Value   | Description |    |    |    |    |    |    |    |    |    |    |    |    |    |    |    |    |    |    |   |   |   |   |   |   |   |   |   |   |   |
| A                | RW PIN     |              | [0..31] | Pin number  |    |    |    |    |    |    |    |    |    |    |    |    |    |    |    |    |    |    |   |   |   |   |   |   |   |   |   |   |   |
| B                | RW PORT    |              | [0..1]  | Port number |    |    |    |    |    |    |    |    |    |    |    |    |    |    |    |    |    |    |   |   |   |   |   |   |   |   |   |   |   |
| C                | RW CONNECT |              |         | Connection  |    |    |    |    |    |    |    |    |    |    |    |    |    |    |    |    |    |    |   |   |   |   |   |   |   |   |   |   |   |
|                  |            | Disconnected | 1       | Disconnect  |    |    |    |    |    |    |    |    |    |    |    |    |    |    |    |    |    |    |   |   |   |   |   |   |   |   |   |   |   |
|                  |            | Connected    | 0       | Connect     |    |    |    |    |    |    |    |    |    |    |    |    |    |    |    |    |    |    |   |   |   |   |   |   |   |   |   |   |   |

### 6.26.5.15 PSEL.CSN

Address offset: 0x514

Pin select for CSN signal

| Bit number       | 31         | 30           | 29      | 28          | 27 | 26 | 25 | 24 | 23 | 22 | 21 | 20 | 19 | 18 | 17 | 16 | 15 | 14 | 13 | 12 | 11 | 10 | 9 | 8 | 7 | 6 | 5 | 4 | 3 | 2 | 1 | 0 |
|------------------|------------|--------------|---------|-------------|----|----|----|----|----|----|----|----|----|----|----|----|----|----|----|----|----|----|---|---|---|---|---|---|---|---|---|---|
| ID               | C          |              |         |             |    |    |    |    |    |    |    |    |    |    |    |    |    |    |    |    |    |    |   |   |   |   |   | B | A | A | A | A |
| Reset 0xFFFFFFFF | 1          | 1            | 1       | 1           | 1  | 1  | 1  | 1  | 1  | 1  | 1  | 1  | 1  | 1  | 1  | 1  | 1  | 1  | 1  | 1  | 1  | 1  | 1 | 1 | 1 | 1 | 1 | 1 | 1 | 1 | 1 |   |
| ID               | Acce Field | Value ID     | Value   | Description |    |    |    |    |    |    |    |    |    |    |    |    |    |    |    |    |    |    |   |   |   |   |   |   |   |   |   |   |
| A                | RW PIN     |              | [0..31] | Pin number  |    |    |    |    |    |    |    |    |    |    |    |    |    |    |    |    |    |    |   |   |   |   |   |   |   |   |   |   |
| B                | RW PORT    |              | [0..1]  | Port number |    |    |    |    |    |    |    |    |    |    |    |    |    |    |    |    |    |    |   |   |   |   |   |   |   |   |   |   |
| C                | RW CONNECT |              |         | Connection  |    |    |    |    |    |    |    |    |    |    |    |    |    |    |    |    |    |    |   |   |   |   |   |   |   |   |   |   |
|                  |            | Disconnected | 1       | Disconnect  |    |    |    |    |    |    |    |    |    |    |    |    |    |    |    |    |    |    |   |   |   |   |   |   |   |   |   |   |
|                  |            | Connected    | 0       | Connect     |    |    |    |    |    |    |    |    |    |    |    |    |    |    |    |    |    |    |   |   |   |   |   |   |   |   |   |   |

### 6.26.5.16 PSELCK ( Deprecated )

Address offset: 0x508

Pin select for SCK

| Bit number       | 31         | 30           | 29         | 28  | 27 | 26 | 25 | 24 | 23 | 22 | 21 | 20 | 19 | 18 | 17 | 16 | 15 | 14 | 13 | 12 | 11 | 10 | 9 | 8 | 7 | 6 | 5 | 4 | 3 | 2 | 1 | 0 |
|------------------|------------|--------------|------------|---|----|----|----|----|----|----|----|----|----|----|----|----|----|----|----|----|----|----|---|---|---|---|---|---|---|---|---|---|
| ID               | A          |              |            |   |    |    |    |    |    |    |    |    |    |    |    |    |    |    |    |    |    |    |   |   |   |   |   |   |   |   |   |   |
| Reset 0xFFFFFFFF | 1          | 1            | 1          | 1   | 1  | 1  | 1  | 1  | 1  | 1  | 1  | 1  | 1  | 1  | 1  | 1  | 1  | 1  | 1  | 1  | 1  | 1  | 1 | 1 | 1 | 1 | 1 | 1 | 1 | 1 | 1 | 1 |
| ID               | Acce Field | Value ID     | Value      | Description                                 |    |    |    |    |    |    |    |    |    |    |    |    |    |    |    |    |    |    |   |   |   |   |   |   |   |   |   |   |
| A                | RW PSELCK  |              | [0..31]    | Pin number configuration for SPI SCK signal |    |    |    |    |    |    |    |    |    |    |    |    |    |    |    |    |    |    |   |   |   |   |   |   |   |   |   |   |
|                  |            | Disconnected | 0xFFFFFFFF | Disconnect                                  |    |    |    |    |    |    |    |    |    |    |    |    |    |    |    |    |    |    |   |   |   |   |   |   |   |   |   |   |

### 6.26.5.17 PSELMISO ( Deprecated )

Address offset: 0x50C

Pin select for MISO

| Bit number       | 31          | 30           | 29         | 28   | 27 | 26 | 25 | 24 | 23 | 22 | 21 | 20 | 19 | 18 | 17 | 16 | 15 | 14 | 13 | 12 | 11 | 10 | 9 | 8 | 7 | 6 | 5 | 4 | 3 | 2 | 1 | 0 |
|------------------|-------------|--------------|------------|--|----|----|----|----|----|----|----|----|----|----|----|----|----|----|----|----|----|----|---|---|---|---|---|---|---|---|---|---|
| ID               | A           |              |            |  |    |    |    |    |    |    |    |    |    |    |    |    |    |    |    |    |    |    |   |   |   |   |   |   |   |   |   |   |
| Reset 0xFFFFFFFF | 1           | 1            | 1          | 1  | 1  | 1  | 1  | 1  | 1  | 1  | 1  | 1  | 1  | 1  | 1  | 1  | 1  | 1  | 1  | 1  | 1  | 1  | 1 | 1 | 1 | 1 | 1 | 1 | 1 | 1 | 1 | 1 |
| ID               | Acce Field  | Value ID     | Value      | Description                                  |    |    |    |    |    |    |    |    |    |    |    |    |    |    |    |    |    |    |   |   |   |   |   |   |   |   |   |   |
| A                | RW PSELMISO |              | [0..31]    | Pin number configuration for SPI MISO signal |    |    |    |    |    |    |    |    |    |    |    |    |    |    |    |    |    |    |   |   |   |   |   |   |   |   |   |   |
|                  |             | Disconnected | 0xFFFFFFFF | Disconnect                                   |    |    |    |    |    |    |    |    |    |    |    |    |    |    |    |    |    |    |   |   |   |   |   |   |   |   |   |   |

### 6.26.5.18 PSELMOSI ( Deprecated )

Address offset: 0x510

Pin select for MOSI

| Bit number       | 31          | 30           | 29         | 28   | 27 | 26 | 25 | 24 | 23 | 22 | 21 | 20 | 19 | 18 | 17 | 16 | 15 | 14 | 13 | 12 | 11 | 10 | 9 | 8 | 7 | 6 | 5 | 4 | 3 | 2 | 1 | 0 |
|------------------|-------------|--------------|------------|--|----|----|----|----|----|----|----|----|----|----|----|----|----|----|----|----|----|----|---|---|---|---|---|---|---|---|---|---|
| ID               | A           |              |            |  |    |    |    |    |    |    |    |    |    |    |    |    |    |    |    |    |    |    |   |   |   |   |   |   |   |   |   |   |
| Reset 0xFFFFFFFF | 1           | 1            | 1          | 1  | 1  | 1  | 1  | 1  | 1  | 1  | 1  | 1  | 1  | 1  | 1  | 1  | 1  | 1  | 1  | 1  | 1  | 1  | 1 | 1 | 1 | 1 | 1 | 1 | 1 | 1 | 1 | 1 |
| ID               | Acce Field  | Value ID     | Value      | Description                                  |    |    |    |    |    |    |    |    |    |    |    |    |    |    |    |    |    |    |   |   |   |   |   |   |   |   |   |   |
| A                | RW PSELMOSI |              | [0..31]    | Pin number configuration for SPI MOSI signal |    |    |    |    |    |    |    |    |    |    |    |    |    |    |    |    |    |    |   |   |   |   |   |   |   |   |   |   |
|                  |             | Disconnected | 0xFFFFFFFF | Disconnect                                   |    |    |    |    |    |    |    |    |    |    |    |    |    |    |    |    |    |    |   |   |   |   |   |   |   |   |   |   |

### 6.26.5.19 PSELCSN ( Deprecated )

Address offset: 0x514

Pin select for CSN

| Bit number       | 31 30 29 28 27 26 25 24 23 22 21 20 19 18 17 16 15 14 13 12 11 10 9 8 7 6 5 4 3 2 1 0 |              |                       |   |  |  |  |  |  |  |  |  |  |  |  |  |  |  |  |  |  |  |  |  |  |  |  |  |  |  |  |  |
|------------------|---|--------------|-----------------------|---|--|--|--|--|--|--|--|--|--|--|--|--|--|--|--|--|--|--|--|--|--|--|--|--|--|--|--|--|
| ID               | A           |              |                       |   |  |  |  |  |  |  |  |  |  |  |  |  |  |  |  |  |  |  |  |  |  |  |  |  |  |  |  |  |
| Reset 0xFFFFFFFF | 1                   |              |                       |   |  |  |  |  |  |  |  |  |  |  |  |  |  |  |  |  |  |  |  |  |  |  |  |  |  |  |  |  |
| ID               | Acce Field  | Value ID     | Value                 | Description   |  |  |  |  |  |  |  |  |  |  |  |  |  |  |  |  |  |  |  |  |  |  |  |  |  |  |  |  |
| A                | RW PSELCSN  | Disconnected | [0..31]<br>0xFFFFFFFF | Pin number configuration for SPI CSN signal<br>Disconnect |  |  |  |  |  |  |  |  |  |  |  |  |  |  |  |  |  |  |  |  |  |  |  |  |  |  |  |  |

### 6.26.5.20 RXDPTR ( Deprecated )

Address offset: 0x534

RXD data pointer

| Bit number   | 31 30 29 28 27 26 25 24 23 22 21 20 19 18 17 16 15 14 13 12 11 10 9 8 7 6 5 4 3 2 1 0 |          |       |                  |  |  |  |  |  |  |  |  |  |  |  |  |  |  |  |  |  |  |  |  |  |  |  |  |  |  |  |  |
|--|---|----------|-------|------------------|--|--|--|--|--|--|--|--|--|--|--|--|--|--|--|--|--|--|--|--|--|--|--|--|--|--|--|--|
| ID   | A           |          |       |                  |  |  |  |  |  |  |  |  |  |  |  |  |  |  |  |  |  |  |  |  |  |  |  |  |  |  |  |  |
| Reset 0x00000000   | 0                   |          |       |                  |  |  |  |  |  |  |  |  |  |  |  |  |  |  |  |  |  |  |  |  |  |  |  |  |  |  |  |  |
| ID   | Acce Field  | Value ID | Value | Description      |  |  |  |  |  |  |  |  |  |  |  |  |  |  |  |  |  |  |  |  |  |  |  |  |  |  |  |  |
| A  | RW RXDPTR   |          |       | RXD data pointer |  |  |  |  |  |  |  |  |  |  |  |  |  |  |  |  |  |  |  |  |  |  |  |  |  |  |  |  |
| See the memory chapter for details about which memories are available for EasyDMA. |   |          |       |                  |  |  |  |  |  |  |  |  |  |  |  |  |  |  |  |  |  |  |  |  |  |  |  |  |  |  |  |  |

### 6.26.5.21 MAXRX ( Deprecated )

Address offset: 0x538

Maximum number of bytes in receive buffer

| Bit number       | 31 30 29 28 27 26 25 24 23 22 21 20 19 18 17 16 15 14 13 12 11 10 9 8 7 6 5 4 3 2 1 0 |          |             |   |  |  |  |  |  |  |  |  |  |  |  |  |  |  |  |  |  |  |  |  |  |  |  |  |  |  |  |  |
|------------------|---|----------|-------------|---|--|--|--|--|--|--|--|--|--|--|--|--|--|--|--|--|--|--|--|--|--|--|--|--|--|--|--|--|
| ID               | A           |          |             |   |  |  |  |  |  |  |  |  |  |  |  |  |  |  |  |  |  |  |  |  |  |  |  |  |  |  |  |  |
| Reset 0x00000000 | 0                   |          |             |   |  |  |  |  |  |  |  |  |  |  |  |  |  |  |  |  |  |  |  |  |  |  |  |  |  |  |  |  |
| ID               | Acce Field  | Value ID | Value       | Description                               |  |  |  |  |  |  |  |  |  |  |  |  |  |  |  |  |  |  |  |  |  |  |  |  |  |  |  |  |
| A                | RW MAXRX  |          | [0..0xFFFF] | Maximum number of bytes in receive buffer |  |  |  |  |  |  |  |  |  |  |  |  |  |  |  |  |  |  |  |  |  |  |  |  |  |  |  |  |

### 6.26.5.22 AMOUNTRX ( Deprecated )

Address offset: 0x53C

Number of bytes received in last granted transaction

| Bit number       | 31 30 29 28 27 26 25 24 23 22 21 20 19 18 17 16 15 14 13 12 11 10 9 8 7 6 5 4 3 2 1 0 |          |             |  |  |  |  |  |  |  |  |  |  |  |  |  |  |  |  |  |  |  |  |  |  |  |  |  |  |  |  |  |
|------------------|---|----------|-------------|--|--|--|--|--|--|--|--|--|--|--|--|--|--|--|--|--|--|--|--|--|--|--|--|--|--|--|--|--|
| ID               | A           |          |             |  |  |  |  |  |  |  |  |  |  |  |  |  |  |  |  |  |  |  |  |  |  |  |  |  |  |  |  |  |
| Reset 0x00000000 | 0                   |          |             |  |  |  |  |  |  |  |  |  |  |  |  |  |  |  |  |  |  |  |  |  |  |  |  |  |  |  |  |  |
| ID               | Acce Field  | Value ID | Value       | Description  |  |  |  |  |  |  |  |  |  |  |  |  |  |  |  |  |  |  |  |  |  |  |  |  |  |  |  |  |
| A                | R AMOUNTRX  |          | [0..0xFFFF] | Number of bytes received in the last granted transaction |  |  |  |  |  |  |  |  |  |  |  |  |  |  |  |  |  |  |  |  |  |  |  |  |  |  |  |  |

### 6.26.5.23 RXD.PTR

Address offset: 0x534

RXD data pointer



|                  |    |    |    |    |    |    |    |    |    |    |    |    |    |    |    |    |    |    |    |    |    |    |   |   |   |   |   |   |   |   |   |   |
|------------------|----|----|----|----|----|----|----|----|----|----|----|----|----|----|----|----|----|----|----|----|----|----|---|---|---|---|---|---|---|---|---|---|
| Bit number       | 31 | 30 | 29 | 28 | 27 | 26 | 25 | 24 | 23 | 22 | 21 | 20 | 19 | 18 | 17 | 16 | 15 | 14 | 13 | 12 | 11 | 10 | 9 | 8 | 7 | 6 | 5 | 4 | 3 | 2 | 1 | 0 |
| ID               | A  | A  | A  | A  | A  | A  | A  | A  | A  | A  | A  | A  | A  | A  | A  | A  | A  | A  | A  | A  | A  | A  | A | A | A | A | A | A | A | A | A | A |
| Reset 0x00000000 | 0  | 0  | 0  | 0  | 0  | 0  | 0  | 0  | 0  | 0  | 0  | 0  | 0  | 0  | 0  | 0  | 0  | 0  | 0  | 0  | 0  | 0  | 0 | 0 | 0 | 0 | 0 | 0 | 0 | 0 | 0 | 0 |

| ID | Acce Field | Value ID | Value | Description      |
|----|------------|----------|-------|------------------|
| A  | RW         | PTR      |       | RXD data pointer |

See the memory chapter for details about which memories are available for EasyDMA.

### 6.26.5.24 RXD.MAXCNT

Address offset: 0x538

Maximum number of bytes in receive buffer

|                  |    |    |    |    |    |    |    |    |    |    |    |    |    |    |    |    |    |    |    |    |    |    |   |   |   |   |   |   |   |   |   |   |
|------------------|----|----|----|----|----|----|----|----|----|----|----|----|----|----|----|----|----|----|----|----|----|----|---|---|---|---|---|---|---|---|---|---|
| Bit number       | 31 | 30 | 29 | 28 | 27 | 26 | 25 | 24 | 23 | 22 | 21 | 20 | 19 | 18 | 17 | 16 | 15 | 14 | 13 | 12 | 11 | 10 | 9 | 8 | 7 | 6 | 5 | 4 | 3 | 2 | 1 | 0 |
| ID               |    |    |    |    |    |    |    |    |    |    |    |    |    |    |    |    |    |    |    | A  | A  | A  | A | A | A | A | A | A | A | A | A |   |
| Reset 0x00000000 | 0  | 0  | 0  | 0  | 0  | 0  | 0  | 0  | 0  | 0  | 0  | 0  | 0  | 0  | 0  | 0  | 0  | 0  | 0  | 0  | 0  | 0  | 0 | 0 | 0 | 0 | 0 | 0 | 0 | 0 | 0 |   |

| ID | Acce Field | Value ID | Value       | Description                               |
|----|------------|----------|-------------|---|
| A  | RW         | MAXCNT   | [0..0xFFFF] | Maximum number of bytes in receive buffer |

### 6.26.5.25 RXD.AMOUNT

Address offset: 0x53C

Number of bytes received in last granted transaction

|                  |    |    |    |    |    |    |    |    |    |    |    |    |    |    |    |    |    |    |    |    |    |    |   |   |   |   |   |   |   |   |   |   |
|------------------|----|----|----|----|----|----|----|----|----|----|----|----|----|----|----|----|----|----|----|----|----|----|---|---|---|---|---|---|---|---|---|---|
| Bit number       | 31 | 30 | 29 | 28 | 27 | 26 | 25 | 24 | 23 | 22 | 21 | 20 | 19 | 18 | 17 | 16 | 15 | 14 | 13 | 12 | 11 | 10 | 9 | 8 | 7 | 6 | 5 | 4 | 3 | 2 | 1 | 0 |
| ID               |    |    |    |    |    |    |    |    |    |    |    |    |    |    |    |    |    |    |    | A  | A  | A  | A | A | A | A | A | A | A | A | A |   |
| Reset 0x00000000 | 0  | 0  | 0  | 0  | 0  | 0  | 0  | 0  | 0  | 0  | 0  | 0  | 0  | 0  | 0  | 0  | 0  | 0  | 0  | 0  | 0  | 0  | 0 | 0 | 0 | 0 | 0 | 0 | 0 | 0 | 0 |   |

| ID | Acce Field | Value ID | Value       | Description  |
|----|------------|----------|-------------|--|
| A  | R          | AMOUNT   | [0..0xFFFF] | Number of bytes received in the last granted transaction |

### 6.26.5.26 RXD.LIST

Address offset: 0x540

EasyDMA list type

|                  |    |    |    |    |    |    |    |    |    |    |    |    |    |    |    |    |    |    |    |    |    |    |   |   |   |   |   |   |   |   |   |   |   |
|------------------|----|----|----|----|----|----|----|----|----|----|----|----|----|----|----|----|----|----|----|----|----|----|---|---|---|---|---|---|---|---|---|---|---|
| Bit number       | 31 | 30 | 29 | 28 | 27 | 26 | 25 | 24 | 23 | 22 | 21 | 20 | 19 | 18 | 17 | 16 | 15 | 14 | 13 | 12 | 11 | 10 | 9 | 8 | 7 | 6 | 5 | 4 | 3 | 2 | 1 | 0 |   |
| ID               |    |    |    |    |    |    |    |    |    |    |    |    |    |    |    |    |    |    |    |    |    |    |   |   |   |   |   |   |   |   |   | A | A |
| Reset 0x00000000 | 0  | 0  | 0  | 0  | 0  | 0  | 0  | 0  | 0  | 0  | 0  | 0  | 0  | 0  | 0  | 0  | 0  | 0  | 0  | 0  | 0  | 0  | 0 | 0 | 0 | 0 | 0 | 0 | 0 | 0 | 0 | 0 |   |

| ID | Acce Field | Value ID  | Value | Description          |
|----|------------|-----------|-------|----------------------|
| A  | RW         | LIST      |       | List type            |
|    |            | Disabled  | 0     | Disable EasyDMA list |
|    |            | ArrayList | 1     | Use array list       |

### 6.26.5.27 TXDPTR ( Deprecated )

Address offset: 0x544

TXD data pointer

| Bit number | 31         | 30       | 29    | 28               | 27 | 26 | 25 | 24 | 23 | 22 | 21 | 20 | 19 | 18 | 17 | 16 | 15 | 14 | 13 | 12 | 11 | 10 | 9 | 8 | 7 | 6 | 5 | 4 | 3 | 2 | 1 | 0 |   |
|------------|------------|----------|-------|------------------|----|----|----|----|----|----|----|----|----|----|----|----|----|----|----|----|----|----|---|---|---|---|---|---|---|---|---|---|---|
| ID         | A          | A        | A     | A                | A  | A  | A  | A  | A  | A  | A  | A  | A  | A  | A  | A  | A  | A  | A  | A  | A  | A  | A | A | A | A | A | A | A | A | A | A |   |
| Reset      | 0x00000000 |          |       |                  |    |    |    |    |    |    |    |    |    |    |    |    |    |    |    |    |    |    |   |   |   |   |   |   |   |   |   |   |   |
| 0          | 0          | 0        | 0     | 0                | 0  | 0  | 0  | 0  | 0  | 0  | 0  | 0  | 0  | 0  | 0  | 0  | 0  | 0  | 0  | 0  | 0  | 0  | 0 | 0 | 0 | 0 | 0 | 0 | 0 | 0 | 0 | 0 | 0 |
| ID         | Acce Field | Value ID | Value | Description      |    |    |    |    |    |    |    |    |    |    |    |    |    |    |    |    |    |    |   |   |   |   |   |   |   |   |   |   |   |
| A          | RW         | TXDPTR   |       | TXD data pointer |    |    |    |    |    |    |    |    |    |    |    |    |    |    |    |    |    |    |   |   |   |   |   |   |   |   |   |   |   |

See the memory chapter for details about which memories are available for EasyDMA.

### 6.26.5.28 MAXTX ( Deprecated )

Address offset: 0x548

Maximum number of bytes in transmit buffer

| Bit number | 31         | 30       | 29          | 28   | 27 | 26 | 25 | 24 | 23 | 22 | 21 | 20 | 19 | 18 | 17 | 16 | 15 | 14 | 13 | 12 | 11 | 10 | 9 | 8 | 7 | 6 | 5 | 4 | 3 | 2 | 1 | 0 |
|------------|------------|----------|-------------|--|----|----|----|----|----|----|----|----|----|----|----|----|----|----|----|----|----|----|---|---|---|---|---|---|---|---|---|---|
| ID         |            |          |             |  |    |    |    |    |    |    |    |    |    |    |    |    |    |    |    |    | A  | A  | A | A | A | A | A | A | A | A | A | A |
| Reset      | 0x00000000 |          |             |  |    |    |    |    |    |    |    |    |    |    |    |    |    |    |    |    |    |    |   |   |   |   |   |   |   |   |   |   |
| 0          | 0          | 0        | 0           | 0  | 0  | 0  | 0  | 0  | 0  | 0  | 0  | 0  | 0  | 0  | 0  | 0  | 0  | 0  | 0  | 0  | 0  | 0  | 0 | 0 | 0 | 0 | 0 | 0 | 0 | 0 | 0 | 0 |
| ID         | Acce Field | Value ID | Value       | Description                                |    |    |    |    |    |    |    |    |    |    |    |    |    |    |    |    |    |    |   |   |   |   |   |   |   |   |   |   |
| A          | RW         | MAXTX    | [0..0xFFFF] | Maximum number of bytes in transmit buffer |    |    |    |    |    |    |    |    |    |    |    |    |    |    |    |    |    |    |   |   |   |   |   |   |   |   |   |   |

### 6.26.5.29 AMOUNTTX ( Deprecated )

Address offset: 0x54C

Number of bytes transmitted in last granted transaction

| Bit number | 31         | 30       | 29          | 28  | 27 | 26 | 25 | 24 | 23 | 22 | 21 | 20 | 19 | 18 | 17 | 16 | 15 | 14 | 13 | 12 | 11 | 10 | 9 | 8 | 7 | 6 | 5 | 4 | 3 | 2 | 1 | 0 |
|------------|------------|----------|-------------|---|----|----|----|----|----|----|----|----|----|----|----|----|----|----|----|----|----|----|---|---|---|---|---|---|---|---|---|---|
| ID         |            |          |             |   |    |    |    |    |    |    |    |    |    |    |    |    |    |    |    |    | A  | A  | A | A | A | A | A | A | A | A | A | A |
| Reset      | 0x00000000 |          |             |   |    |    |    |    |    |    |    |    |    |    |    |    |    |    |    |    |    |    |   |   |   |   |   |   |   |   |   |   |
| 0          | 0          | 0        | 0           | 0   | 0  | 0  | 0  | 0  | 0  | 0  | 0  | 0  | 0  | 0  | 0  | 0  | 0  | 0  | 0  | 0  | 0  | 0  | 0 | 0 | 0 | 0 | 0 | 0 | 0 | 0 | 0 | 0 |
| ID         | Acce Field | Value ID | Value       | Description   |    |    |    |    |    |    |    |    |    |    |    |    |    |    |    |    |    |    |   |   |   |   |   |   |   |   |   |   |
| A          | R          | AMOUNTTX | [0..0xFFFF] | Number of bytes transmitted in last granted transaction |    |    |    |    |    |    |    |    |    |    |    |    |    |    |    |    |    |    |   |   |   |   |   |   |   |   |   |   |

### 6.26.5.30 TXD.PTR

Address offset: 0x544

TXD data pointer

| Bit number | 31         | 30       | 29    | 28               | 27 | 26 | 25 | 24 | 23 | 22 | 21 | 20 | 19 | 18 | 17 | 16 | 15 | 14 | 13 | 12 | 11 | 10 | 9 | 8 | 7 | 6 | 5 | 4 | 3 | 2 | 1 | 0 |
|------------|------------|----------|-------|------------------|----|----|----|----|----|----|----|----|----|----|----|----|----|----|----|----|----|----|---|---|---|---|---|---|---|---|---|---|
| ID         | A          | A        | A     | A                | A  | A  | A  | A  | A  | A  | A  | A  | A  | A  | A  | A  | A  | A  | A  | A  | A  | A  | A | A | A | A | A | A | A | A | A |   |
| Reset      | 0x00000000 |          |       |                  |    |    |    |    |    |    |    |    |    |    |    |    |    |    |    |    |    |    |   |   |   |   |   |   |   |   |   |   |
| 0          | 0          | 0        | 0     | 0                | 0  | 0  | 0  | 0  | 0  | 0  | 0  | 0  | 0  | 0  | 0  | 0  | 0  | 0  | 0  | 0  | 0  | 0  | 0 | 0 | 0 | 0 | 0 | 0 | 0 | 0 | 0 | 0 |
| ID         | Acce Field | Value ID | Value | Description      |    |    |    |    |    |    |    |    |    |    |    |    |    |    |    |    |    |    |   |   |   |   |   |   |   |   |   |   |
| A          | RW         | PTR      |       | TXD data pointer |    |    |    |    |    |    |    |    |    |    |    |    |    |    |    |    |    |    |   |   |   |   |   |   |   |   |   |   |

See the memory chapter for details about which memories are available for EasyDMA.

### 6.26.5.31 TXD.MAXCNT

Address offset: 0x548

Maximum number of bytes in transmit buffer

| Bit number              | 31  | 30     | 29       | 28          | 27   | 26 | 25 | 24 | 23 | 22 | 21 | 20 | 19 | 18 | 17 | 16 | 15 | 14 | 13 | 12 | 11 | 10 | 9 | 8 | 7 | 6 | 5 | 4 | 3 | 2 | 1 | 0 |
|-------------------------|---|--------|----------|-------------|--|----|----|----|----|----|----|----|----|----|----|----|----|----|----|----|----|----|---|---|---|---|---|---|---|---|---|---|
| ID                      | A A A A A A A A A A A A A A A A A A                                 |        |          |             |  |    |    |    |    |    |    |    |    |    |    |    |    |    |    |    |    |    |   |   |   |   |   |   |   |   |   |   |
| <b>Reset 0x00000000</b> | 0 |        |          |             |  |    |    |    |    |    |    |    |    |    |    |    |    |    |    |    |    |    |   |   |   |   |   |   |   |   |   |   |
| ID                      | Acce  | Field  | Value ID | Value       | Description                                |    |    |    |    |    |    |    |    |    |    |    |    |    |    |    |    |    |   |   |   |   |   |   |   |   |   |   |
| A                       | RW  | MAXCNT |          | [0..0xFFFF] | Maximum number of bytes in transmit buffer |    |    |    |    |    |    |    |    |    |    |    |    |    |    |    |    |    |   |   |   |   |   |   |   |   |   |   |

### 6.26.5.32 TXD.AMOUNT

Address offset: 0x54C

Number of bytes transmitted in last granted transaction

| Bit number              | 31  | 30     | 29       | 28          | 27  | 26 | 25 | 24 | 23 | 22 | 21 | 20 | 19 | 18 | 17 | 16 | 15 | 14 | 13 | 12 | 11 | 10 | 9 | 8 | 7 | 6 | 5 | 4 | 3 | 2 | 1 | 0 |
|-------------------------|---|--------|----------|-------------|---|----|----|----|----|----|----|----|----|----|----|----|----|----|----|----|----|----|---|---|---|---|---|---|---|---|---|---|
| ID                      | A A A A A A A A A A A A A A A A A A                                 |        |          |             |   |    |    |    |    |    |    |    |    |    |    |    |    |    |    |    |    |    |   |   |   |   |   |   |   |   |   |   |
| <b>Reset 0x00000000</b> | 0 |        |          |             |   |    |    |    |    |    |    |    |    |    |    |    |    |    |    |    |    |    |   |   |   |   |   |   |   |   |   |   |
| ID                      | Acce  | Field  | Value ID | Value       | Description   |    |    |    |    |    |    |    |    |    |    |    |    |    |    |    |    |    |   |   |   |   |   |   |   |   |   |   |
| A                       | R   | AMOUNT |          | [0..0xFFFF] | Number of bytes transmitted in last granted transaction |    |    |    |    |    |    |    |    |    |    |    |    |    |    |    |    |    |   |   |   |   |   |   |   |   |   |   |

### 6.26.5.33 TXD.LIST

Address offset: 0x550

EasyDMA list type

| Bit number              | 31  | 30    | 29        | 28    | 27                   | 26 | 25 | 24 | 23 | 22 | 21 | 20 | 19 | 18 | 17 | 16 | 15 | 14 | 13 | 12 | 11 | 10 | 9 | 8 | 7 | 6 | 5 | 4 | 3 | 2 | 1 | 0 |
|-------------------------|---|-------|-----------|-------|----------------------|----|----|----|----|----|----|----|----|----|----|----|----|----|----|----|----|----|---|---|---|---|---|---|---|---|---|---|
| ID                      | A A   |       |           |       |                      |    |    |    |    |    |    |    |    |    |    |    |    |    |    |    |    |    |   |   |   |   |   |   |   |   |   |   |
| <b>Reset 0x00000000</b> | 0 |       |           |       |                      |    |    |    |    |    |    |    |    |    |    |    |    |    |    |    |    |    |   |   |   |   |   |   |   |   |   |   |
| ID                      | Acce  | Field | Value ID  | Value | Description          |    |    |    |    |    |    |    |    |    |    |    |    |    |    |    |    |    |   |   |   |   |   |   |   |   |   |   |
| A                       | RW  | LIST  |           |       | List type            |    |    |    |    |    |    |    |    |    |    |    |    |    |    |    |    |    |   |   |   |   |   |   |   |   |   |   |
|                         |   |       | Disabled  | 0     | Disable EasyDMA list |    |    |    |    |    |    |    |    |    |    |    |    |    |    |    |    |    |   |   |   |   |   |   |   |   |   |   |
|                         |   |       | ArrayList | 1     | Use array list       |    |    |    |    |    |    |    |    |    |    |    |    |    |    |    |    |    |   |   |   |   |   |   |   |   |   |   |

### 6.26.5.34 CONFIG

Address offset: 0x554

Configuration register

| Bit number              | 31  | 30    | 29         | 28    | 27  | 26 | 25 | 24 | 23 | 22 | 21 | 20 | 19 | 18 | 17 | 16 | 15 | 14 | 13 | 12 | 11 | 10 | 9 | 8 | 7 | 6 | 5 | 4 | 3 | 2 | 1 | 0 |
|-------------------------|---|-------|------------|-------|---|----|----|----|----|----|----|----|----|----|----|----|----|----|----|----|----|----|---|---|---|---|---|---|---|---|---|---|
| ID                      | C B A   |       |            |       |   |    |    |    |    |    |    |    |    |    |    |    |    |    |    |    |    |    |   |   |   |   |   |   |   |   |   |   |
| <b>Reset 0x00000000</b> | 0 |       |            |       |   |    |    |    |    |    |    |    |    |    |    |    |    |    |    |    |    |    |   |   |   |   |   |   |   |   |   |   |
| ID                      | Acce  | Field | Value ID   | Value | Description   |    |    |    |    |    |    |    |    |    |    |    |    |    |    |    |    |    |   |   |   |   |   |   |   |   |   |   |
| A                       | RW  | ORDER |            |       | Bit order   |    |    |    |    |    |    |    |    |    |    |    |    |    |    |    |    |    |   |   |   |   |   |   |   |   |   |   |
|                         |   |       | MsbFirst   | 0     | Most significant bit shifted out first                              |    |    |    |    |    |    |    |    |    |    |    |    |    |    |    |    |    |   |   |   |   |   |   |   |   |   |   |
|                         |   |       | LsbFirst   | 1     | Least significant bit shifted out first                             |    |    |    |    |    |    |    |    |    |    |    |    |    |    |    |    |    |   |   |   |   |   |   |   |   |   |   |
| B                       | RW  | CPHA  |            |       | Serial clock (SCK) phase  |    |    |    |    |    |    |    |    |    |    |    |    |    |    |    |    |    |   |   |   |   |   |   |   |   |   |   |
|                         |   |       | Leading    | 0     | Sample on leading edge of clock, shift serial data on trailing edge |    |    |    |    |    |    |    |    |    |    |    |    |    |    |    |    |    |   |   |   |   |   |   |   |   |   |   |
|                         |   |       | Trailing   | 1     | Sample on trailing edge of clock, shift serial data on leading edge |    |    |    |    |    |    |    |    |    |    |    |    |    |    |    |    |    |   |   |   |   |   |   |   |   |   |   |
| C                       | RW  | CPOL  |            |       | Serial clock (SCK) polarity   |    |    |    |    |    |    |    |    |    |    |    |    |    |    |    |    |    |   |   |   |   |   |   |   |   |   |   |
|                         |   |       | ActiveHigh | 0     | Active high   |    |    |    |    |    |    |    |    |    |    |    |    |    |    |    |    |    |   |   |   |   |   |   |   |   |   |   |
|                         |   |       | ActiveLow  | 1     | Active low  |    |    |    |    |    |    |    |    |    |    |    |    |    |    |    |    |    |   |   |   |   |   |   |   |   |   |   |

### 6.26.5.35 DEF

Address offset: 0x55C

Default character. Character clocked out in case of an ignored transaction.

| Bit number       | 31         | 30       | 29    | 28  | 27 | 26 | 25 | 24 | 23 | 22 | 21 | 20 | 19 | 18 | 17 | 16 | 15 | 14 | 13 | 12 | 11 | 10 | 9 | 8 | 7 | 6 | 5 | 4 | 3 | 2 | 1 | 0 |   |   |   |   |   |   |   |   |   |   |   |   |   |   |   |   |   |   |   |   |   |   |
|------------------|------------|----------|-------|---|----|----|----|----|----|----|----|----|----|----|----|----|----|----|----|----|----|----|---|---|---|---|---|---|---|---|---|---|---|---|---|---|---|---|---|---|---|---|---|---|---|---|---|---|---|---|---|---|---|---|
| ID               |            |          |       |   |    |    |    |    |    |    |    |    |    |    |    |    |    |    |    |    |    |    |   |   | A | A | A | A | A | A | A | A | A | A | A | A | A | A | A | A | A | A | A | A | A | A | A | A | A | A | A | A | A | A |
| Reset 0x00000000 |            |          |       |   |    |    |    |    |    |    |    |    |    |    |    |    |    |    |    |    |    |    |   |   | 0 | 0 | 0 | 0 | 0 | 0 | 0 | 0 | 0 | 0 | 0 | 0 | 0 | 0 | 0 | 0 | 0 | 0 | 0 | 0 | 0 | 0 | 0 | 0 | 0 | 0 | 0 | 0 | 0 | 0 |
| ID               | Acce Field | Value ID | Value | Description   |    |    |    |    |    |    |    |    |    |    |    |    |    |    |    |    |    |    |   |   |   |   |   |   |   |   |   |   |   |   |   |   |   |   |   |   |   |   |   |   |   |   |   |   |   |   |   |   |   |   |
| A                | RW         | DEF      |       | Default character. Character clocked out in case of an ignored transaction. |    |    |    |    |    |    |    |    |    |    |    |    |    |    |    |    |    |    |   |   |   |   |   |   |   |   |   |   |   |   |   |   |   |   |   |   |   |   |   |   |   |   |   |   |   |   |   |   |   |   |

### 6.26.5.36 ORC

Address offset: 0x5C0

Over-read character

| Bit number       | 31         | 30       | 29    | 28  | 27 | 26 | 25 | 24 | 23 | 22 | 21 | 20 | 19 | 18 | 17 | 16 | 15 | 14 | 13 | 12 | 11 | 10 | 9 | 8 | 7 | 6 | 5 | 4 | 3 | 2 | 1 | 0 |   |   |   |   |   |   |   |   |   |   |   |   |   |   |   |   |   |   |   |   |   |   |
|------------------|------------|----------|-------|---|----|----|----|----|----|----|----|----|----|----|----|----|----|----|----|----|----|----|---|---|---|---|---|---|---|---|---|---|---|---|---|---|---|---|---|---|---|---|---|---|---|---|---|---|---|---|---|---|---|---|
| ID               |            |          |       |   |    |    |    |    |    |    |    |    |    |    |    |    |    |    |    |    |    |    |   |   | A | A | A | A | A | A | A | A | A | A | A | A | A | A | A | A | A | A | A | A | A | A | A | A | A | A | A | A | A |   |
| Reset 0x00000000 |            |          |       |   |    |    |    |    |    |    |    |    |    |    |    |    |    |    |    |    |    |    |   |   | 0 | 0 | 0 | 0 | 0 | 0 | 0 | 0 | 0 | 0 | 0 | 0 | 0 | 0 | 0 | 0 | 0 | 0 | 0 | 0 | 0 | 0 | 0 | 0 | 0 | 0 | 0 | 0 | 0 | 0 |
| ID               | Acce Field | Value ID | Value | Description   |    |    |    |    |    |    |    |    |    |    |    |    |    |    |    |    |    |    |   |   |   |   |   |   |   |   |   |   |   |   |   |   |   |   |   |   |   |   |   |   |   |   |   |   |   |   |   |   |   |   |
| A                | RW         | ORC      |       | Over-read character. Character clocked out after an over-read of the transmit buffer. |    |    |    |    |    |    |    |    |    |    |    |    |    |    |    |    |    |    |   |   |   |   |   |   |   |   |   |   |   |   |   |   |   |   |   |   |   |   |   |   |   |   |   |   |   |   |   |   |   |   |

## 6.26.6 Electrical specification

### 6.26.6.1 SPIS slave interface electrical specifications

| Symbol                  | Description   | Min. | Typ.  | Max.            | Units |
|-------------------------|---|------|-------|-----------------|-------|
| f <sub>SPIS</sub>       | Bit rates for SPIS <sup>34</sup>                        |      |       | g <sup>35</sup> | Mbps  |
| t <sub>SPIS,START</sub> | Time from RELEASE task to receive/transmit (CSN active) |      | 0.125 |                 | µs    |

### 6.26.6.2 Serial Peripheral Interface Slave (SPIS) timing specifications

| Symbol                   | Description                        | Min. | Typ. | Max. | Units |
|--------------------------|------------------------------------|------|------|------|-------|
| t <sub>SPIS,CSCKIN</sub> | SCK input period                   | 125  |      |      | ns    |
| t <sub>SPIS,RFCKIN</sub> | SCK input rise/fall time           |      |      | 30   | ns    |
| t <sub>SPIS,WHCKIN</sub> | SCK input high time                | 30   |      |      | ns    |
| t <sub>SPIS,WLCKIN</sub> | SCK input low time                 | 30   |      |      | ns    |
| t <sub>SPIS,SUCSN</sub>  | CSN to CLK setup time              | 1000 |      |      | ns    |
| t <sub>SPIS,HCSN</sub>   | CLK to CSN hold time               | 1000 |      |      | ns    |
| t <sub>SPIS,ASA</sub>    | CSN to MISO driven                 | 0    |      |      | ns    |
| t <sub>SPIS,ASO</sub>    | CSN to MISO valid <sup>36</sup>    |      |      | 1000 | ns    |
| t <sub>SPIS,DISSO</sub>  | CSN to MISO disabled <sup>36</sup> |      |      | 68   | ns    |
| t <sub>SPIS,CWH</sub>    | CSN inactive time                  | 300  |      |      | ns    |

<sup>34</sup> High bit rates may require GPIOs to be set as High Drive, see GPIO chapter for more details.

<sup>35</sup> The actual maximum data rate depends on the master's CLK to MISO and MOSI setup and hold timings.

<sup>36</sup> At 25 pF load, including GPIO capacitance, see [GPIO electrical specification](#).

| Symbol          | Description                   | Min.             | Typ. | Max. | Units |
|-----------------|-------------------------------|------------------|------|------|-------|
| $t_{SPIS,VSO}$  | CLK edge to MISO valid        |                  |      | 19   | ns    |
| $t_{SPIS,HSO}$  | MISO hold time after CLK edge | 18 <sup>37</sup> |      |      | ns    |
| $t_{SPIS,SUSI}$ | MOSI to CLK edge setup time   | 59               |      |      | ns    |
| $t_{SPIS,HSI}$  | CLK edge to MOSI hold time    | 20               |      |      | ns    |

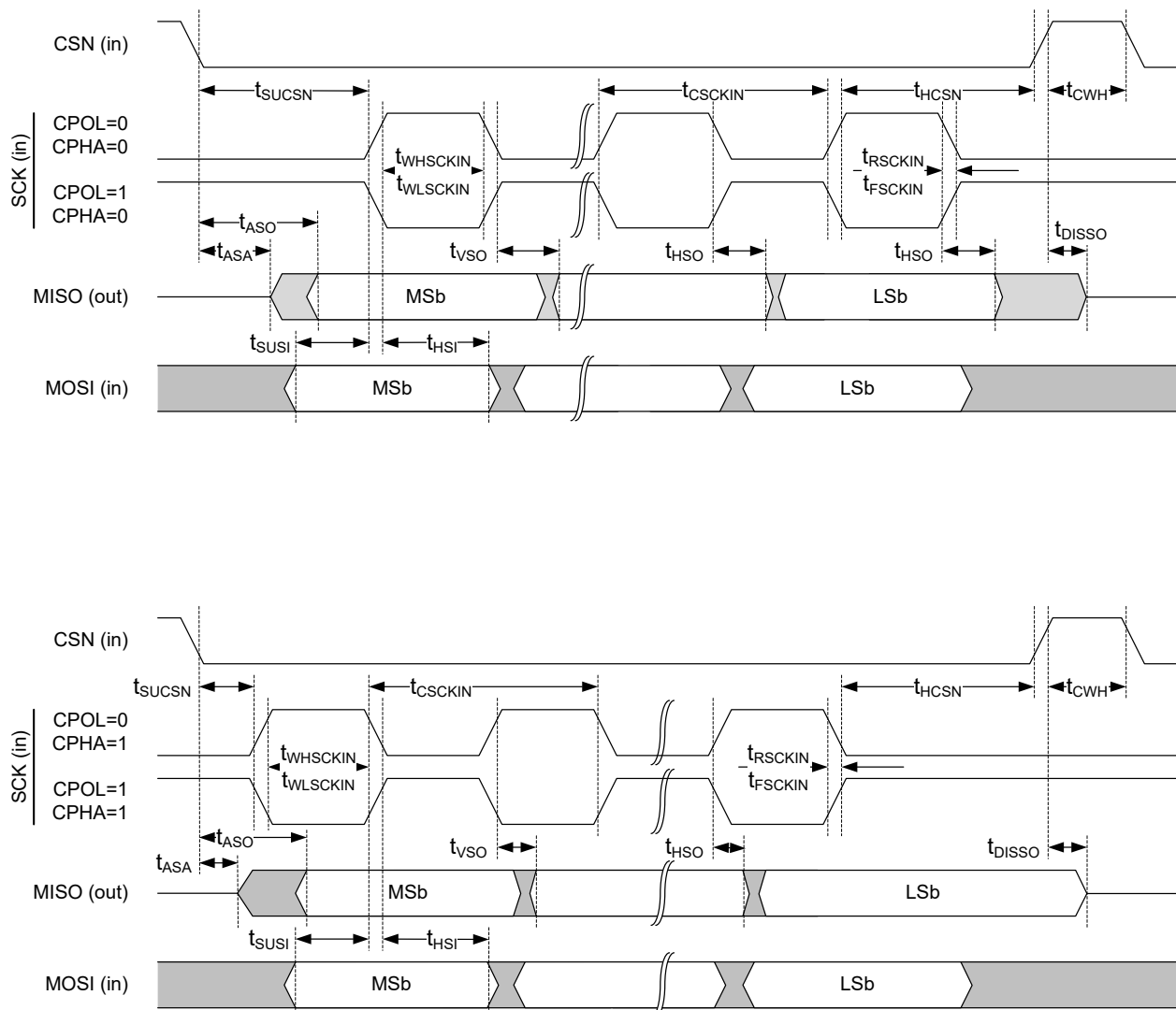


Figure 164: SPIS timing diagram

<sup>37</sup> This is to ensure compatibility to SPI masters sampling MISO on the same edge as MOSI is output

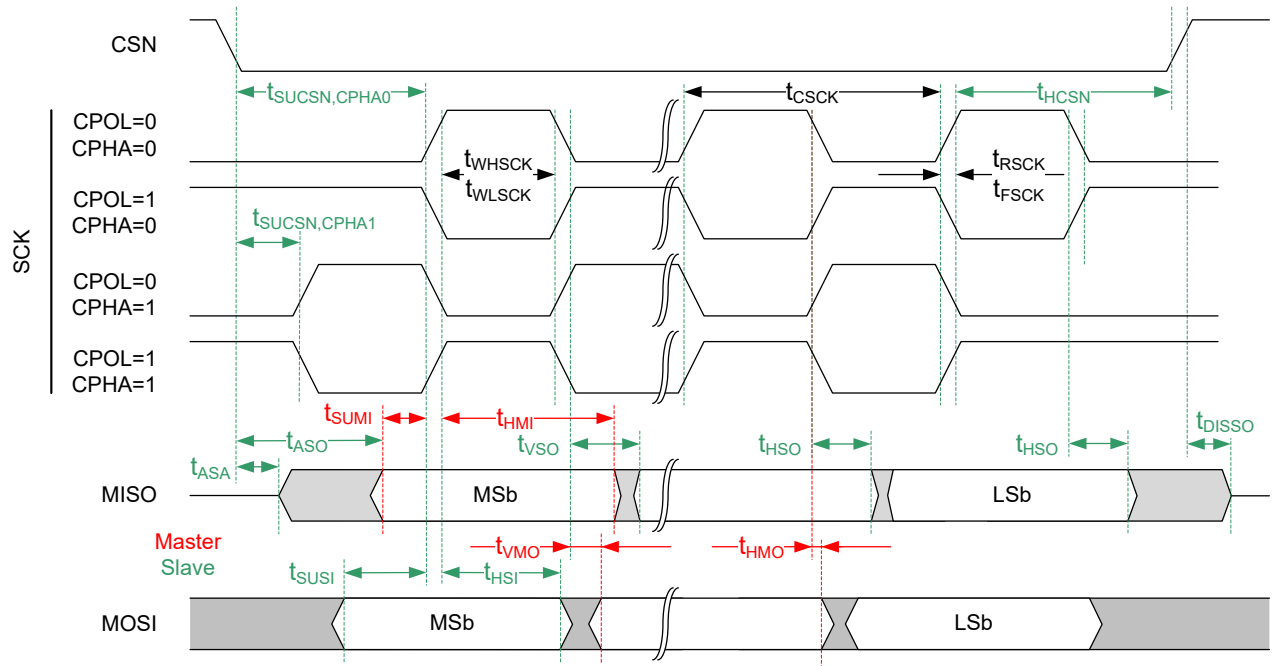


Figure 165: Common SPI and SPI timing diagram

## 6.27 SWI — Software interrupts

A set of interrupts have been reserved for use as software interrupts.

### 6.27.1 Registers

| Base address | Peripheral | Instance | Description          | Configuration |
|--------------|------------|----------|----------------------|---------------|
| 0x40014000   | SWI        | SWI0     | Software interrupt 0 |               |
| 0x40015000   | SWI        | SWI1     | Software interrupt 1 |               |
| 0x40016000   | SWI        | SWI2     | Software interrupt 2 |               |
| 0x40017000   | SWI        | SWI3     | Software interrupt 3 |               |
| 0x40018000   | SWI        | SWI4     | Software interrupt 4 |               |
| 0x40019000   | SWI        | SWI5     | Software interrupt 5 |               |

Table 115: Instances

## 6.28 TEMP — Temperature sensor

The temperature sensor measures die temperature over the temperature range of the device. Linearity compensation can be implemented if required by the application.

Listed here are the main features for TEMP:

- Temperature range is greater than or equal to operating temperature of the device
- Resolution is 0.25 degrees

TEMP is started by triggering the START task.

When the temperature measurement is completed, a DATARDY event will be generated and the result of the measurement can be read from the TEMP register.

To achieve the measurement accuracy stated in the electrical specification, the crystal oscillator must be selected as the HFCLK source, see [CLOCK — Clock control](#) on page 85 for more information.

When the temperature measurement is completed, TEMP analog electronics power down to save power.

TEMP only supports one-shot operation, meaning that every TEMP measurement has to be explicitly started using the START task.

## 6.28.1 Registers

| Base address | Peripheral | Instance | Description        | Configuration |
|--------------|------------|----------|--------------------|---------------|
| 0x4000C000   | TEMP       | TEMP     | Temperature sensor |               |

Table 116: Instances

| Register       | Offset | Description                                     |
|----------------|--------|---|
| TASKS_START    | 0x000  | Start temperature measurement                   |
| TASKS_STOP     | 0x004  | Stop temperature measurement                    |
| EVENTS_DATARDY | 0x100  | Temperature measurement complete, data ready    |
| INTENSET       | 0x304  | Enable interrupt                                |
| INTENCLR       | 0x308  | Disable interrupt                               |
| TEMP           | 0x508  | Temperature in °C (0.25° steps)                 |
| A0             | 0x520  | Slope of first piecewise linear function        |
| A1             | 0x524  | Slope of second piecewise linear function       |
| A2             | 0x528  | Slope of third piecewise linear function        |
| A3             | 0x52C  | Slope of fourth piecewise linear function       |
| A4             | 0x530  | Slope of fifth piecewise linear function        |
| A5             | 0x534  | Slope of sixth piecewise linear function        |
| B0             | 0x540  | y-intercept of first piecewise linear function  |
| B1             | 0x544  | y-intercept of second piecewise linear function |
| B2             | 0x548  | y-intercept of third piecewise linear function  |
| B3             | 0x54C  | y-intercept of fourth piecewise linear function |
| B4             | 0x550  | y-intercept of fifth piecewise linear function  |
| B5             | 0x554  | y-intercept of sixth piecewise linear function  |
| T0             | 0x560  | End point of first piecewise linear function    |
| T1             | 0x564  | End point of second piecewise linear function   |
| T2             | 0x568  | End point of third piecewise linear function    |
| T3             | 0x56C  | End point of fourth piecewise linear function   |
| T4             | 0x570  | End point of fifth piecewise linear function    |

Table 117: Register overview

### 6.28.1.1 TASKS\_START

Address offset: 0x000

Start temperature measurement

| Bit number       | 31 30 29 28 27 26 25 24 23 22 21 20 19 18 17 16 15 14 13 12 11 10 9 8 7 6 5 4 3 2 1 0 |             |          |       |                               |  |  |  |  |  |  |  |  |  |  |  |  |  |  |  |  |  |  |  |  |  |  |  |  |  |  |   |
|------------------|---|-------------|----------|-------|-------------------------------|--|--|--|--|--|--|--|--|--|--|--|--|--|--|--|--|--|--|--|--|--|--|--|--|--|--|---|
| ID               |   |             |          |       |                               |  |  |  |  |  |  |  |  |  |  |  |  |  |  |  |  |  |  |  |  |  |  |  |  |  |  | A |
| Reset 0x00000000 | 0           |             |          |       |                               |  |  |  |  |  |  |  |  |  |  |  |  |  |  |  |  |  |  |  |  |  |  |  |  |  |  |   |
| ID               | Acces   | Field       | Value ID | Value | Description                   |  |  |  |  |  |  |  |  |  |  |  |  |  |  |  |  |  |  |  |  |  |  |  |  |  |  |   |
| A                | W   | TASKS_START |          |       | Start temperature measurement |  |  |  |  |  |  |  |  |  |  |  |  |  |  |  |  |  |  |  |  |  |  |  |  |  |  |   |
|                  |   |             | Trigger  | 1     | Trigger task                  |  |  |  |  |  |  |  |  |  |  |  |  |  |  |  |  |  |  |  |  |  |  |  |  |  |  |   |

### 6.28.1.2 TASKS\_STOP

Address offset: 0x004

Stop temperature measurement

| Bit number       | 31 30 29 28 27 26 25 24 23 22 21 20 19 18 17 16 15 14 13 12 11 10 9 8 7 6 5 4 3 2 1 0 |          |       |  |  |  |  |  |  |  |  |  |  |  |  |  |  |  |  |  |  |  |  |  |  |  |  |  |  |  |  |
|------------------|---|----------|-------|--|--|--|--|--|--|--|--|--|--|--|--|--|--|--|--|--|--|--|--|--|--|--|--|--|--|--|--|
| ID               | A   |          |       |  |  |  |  |  |  |  |  |  |  |  |  |  |  |  |  |  |  |  |  |  |  |  |  |  |  |  |  |
| Reset 0x00000000 | 0             |          |       |  |  |  |  |  |  |  |  |  |  |  |  |  |  |  |  |  |  |  |  |  |  |  |  |  |  |  |  |
| ID               | Acce Field  | Value ID | Value | Description                                  |  |  |  |  |  |  |  |  |  |  |  |  |  |  |  |  |  |  |  |  |  |  |  |  |  |  |  |
| A                | W TASKS_STOP  | Trigger  | 1     | Stop temperature measurement<br>Trigger task |  |  |  |  |  |  |  |  |  |  |  |  |  |  |  |  |  |  |  |  |  |  |  |  |  |  |  |

### 6.28.1.3 EVENTS\_DATARDY

Address offset: 0x100

Temperature measurement complete, data ready

| Bit number       | 31 30 29 28 27 26 25 24 23 22 21 20 19 18 17 16 15 14 13 12 11 10 9 8 7 6 5 4 3 2 1 0 |              |       |   |  |  |  |  |  |  |  |  |  |  |  |  |  |  |  |  |  |  |  |  |  |  |  |  |  |  |  |
|------------------|---|--------------|-------|---|--|--|--|--|--|--|--|--|--|--|--|--|--|--|--|--|--|--|--|--|--|--|--|--|--|--|--|
| ID               | A   |              |       |   |  |  |  |  |  |  |  |  |  |  |  |  |  |  |  |  |  |  |  |  |  |  |  |  |  |  |  |
| Reset 0x00000000 | 0             |              |       |   |  |  |  |  |  |  |  |  |  |  |  |  |  |  |  |  |  |  |  |  |  |  |  |  |  |  |  |
| ID               | Acce Field  | Value ID     | Value | Description   |  |  |  |  |  |  |  |  |  |  |  |  |  |  |  |  |  |  |  |  |  |  |  |  |  |  |  |
| A                | RW EVENTS_DATARDY   | NotGenerated | 0     | Temperature measurement complete, data ready<br>Event not generated |  |  |  |  |  |  |  |  |  |  |  |  |  |  |  |  |  |  |  |  |  |  |  |  |  |  |  |
|                  |   | Generated    | 1     | Event generated   |  |  |  |  |  |  |  |  |  |  |  |  |  |  |  |  |  |  |  |  |  |  |  |  |  |  |  |

### 6.28.1.4 INTENSET

Address offset: 0x304

Enable interrupt

| Bit number       | 31 30 29 28 27 26 25 24 23 22 21 20 19 18 17 16 15 14 13 12 11 10 9 8 7 6 5 4 3 2 1 0 |          |       |   |  |  |  |  |  |  |  |  |  |  |  |  |  |  |  |  |  |  |  |  |  |  |  |  |  |  |  |
|------------------|---|----------|-------|---|--|--|--|--|--|--|--|--|--|--|--|--|--|--|--|--|--|--|--|--|--|--|--|--|--|--|--|
| ID               | A   |          |       |   |  |  |  |  |  |  |  |  |  |  |  |  |  |  |  |  |  |  |  |  |  |  |  |  |  |  |  |
| Reset 0x00000000 | 0             |          |       |   |  |  |  |  |  |  |  |  |  |  |  |  |  |  |  |  |  |  |  |  |  |  |  |  |  |  |  |
| ID               | Acce Field  | Value ID | Value | Description   |  |  |  |  |  |  |  |  |  |  |  |  |  |  |  |  |  |  |  |  |  |  |  |  |  |  |  |
| A                | RW DATARDY  | Set      | 1     | Write '1' to enable interrupt for event DATARDY<br>Enable |  |  |  |  |  |  |  |  |  |  |  |  |  |  |  |  |  |  |  |  |  |  |  |  |  |  |  |
|                  |   | Disabled | 0     | Read: Disabled  |  |  |  |  |  |  |  |  |  |  |  |  |  |  |  |  |  |  |  |  |  |  |  |  |  |  |  |
|                  |   | Enabled  | 1     | Read: Enabled   |  |  |  |  |  |  |  |  |  |  |  |  |  |  |  |  |  |  |  |  |  |  |  |  |  |  |  |

### 6.28.1.5 INTENCLR

Address offset: 0x308

Disable interrupt



| Bit number | 31  | 30      | 29       | 28    | 27  | 26 | 25 | 24 | 23 | 22 | 21 | 20 | 19 | 18 | 17 | 16 | 15 | 14 | 13 | 12 | 11 | 10 | 9 | 8 | 7 | 6 | 5 | 4 | 3 | 2 | 1 | 0 |
|------------|---|---------|----------|-------|---|----|----|----|----|----|----|----|----|----|----|----|----|----|----|----|----|----|---|---|---|---|---|---|---|---|---|---|
| ID         | A   |         |          |       |   |    |    |    |    |    |    |    |    |    |    |    |    |    |    |    |    |    |   |   |   |   |   |   |   |   |   |   |
| Reset      | 0x00000000  |         |          |       |   |    |    |    |    |    |    |    |    |    |    |    |    |    |    |    |    |    |   |   |   |   |   |   |   |   |   |   |
| Reset      | 0 |         |          |       |   |    |    |    |    |    |    |    |    |    |    |    |    |    |    |    |    |    |   |   |   |   |   |   |   |   |   |   |
| ID         | Acce  | Field   | Value ID | Value | Description   |    |    |    |    |    |    |    |    |    |    |    |    |    |    |    |    |    |   |   |   |   |   |   |   |   |   |   |
| A          | RW  | DATARDY |          |       | Write '1' to disable interrupt for event <b>DATARDY</b> |    |    |    |    |    |    |    |    |    |    |    |    |    |    |    |    |    |   |   |   |   |   |   |   |   |   |   |
|            |   |         | Clear    | 1     | Disable   |    |    |    |    |    |    |    |    |    |    |    |    |    |    |    |    |    |   |   |   |   |   |   |   |   |   |   |
|            |   |         | Disabled | 0     | Read: Disabled  |    |    |    |    |    |    |    |    |    |    |    |    |    |    |    |    |    |   |   |   |   |   |   |   |   |   |   |
|            |   |         | Enabled  | 1     | Read: Enabled   |    |    |    |    |    |    |    |    |    |    |    |    |    |    |    |    |    |   |   |   |   |   |   |   |   |   |   |

### 6.28.1.6 TEMP

Address offset: 0x508

Temperature in °C (0.25° steps)

| Bit number | 31  | 30    | 29       | 28    | 27  | 26 | 25 | 24 | 23 | 22 | 21 | 20 | 19 | 18 | 17 | 16 | 15 | 14 | 13 | 12 | 11 | 10 | 9 | 8 | 7 | 6 | 5 | 4 | 3 | 2 | 1 | 0 |
|------------|---|-------|----------|-------|---|----|----|----|----|----|----|----|----|----|----|----|----|----|----|----|----|----|---|---|---|---|---|---|---|---|---|---|
| ID         | A   | A     | A        | A     | A   | A  | A  | A  | A  | A  | A  | A  | A  | A  | A  | A  | A  | A  | A  | A  | A  | A  | A | A | A | A | A | A | A | A | A | A |
| Reset      | 0x00000000  |       |          |       |   |    |    |    |    |    |    |    |    |    |    |    |    |    |    |    |    |    |   |   |   |   |   |   |   |   |   |   |
| Reset      | 0 |       |          |       |   |    |    |    |    |    |    |    |    |    |    |    |    |    |    |    |    |    |   |   |   |   |   |   |   |   |   |   |
| ID         | Acce  | Field | Value ID | Value | Description   |    |    |    |    |    |    |    |    |    |    |    |    |    |    |    |    |    |   |   |   |   |   |   |   |   |   |   |
| A          | R   | TEMP  |          |       | Temperature in °C (0.25° steps)   |    |    |    |    |    |    |    |    |    |    |    |    |    |    |    |    |    |   |   |   |   |   |   |   |   |   |   |
|            |   |       |          |       | Result of temperature measurement. Die temperature in °C, 2's complement format, 0.25 °C steps. |    |    |    |    |    |    |    |    |    |    |    |    |    |    |    |    |    |   |   |   |   |   |   |   |   |   |   |
|            |   |       |          |       | Decision point: DATARDY   |    |    |    |    |    |    |    |    |    |    |    |    |    |    |    |    |    |   |   |   |   |   |   |   |   |   |   |

### 6.28.1.7 A0

Address offset: 0x520

Slope of first piecewise linear function

| Bit number | 31  | 30    | 29       | 28    | 27                                       | 26 | 25 | 24 | 23 | 22 | 21 | 20 | 19 | 18 | 17 | 16 | 15 | 14 | 13 | 12 | 11 | 10 | 9 | 8 | 7 | 6 | 5 | 4 | 3 | 2 | 1 | 0 |
|------------|---|-------|----------|-------|--|----|----|----|----|----|----|----|----|----|----|----|----|----|----|----|----|----|---|---|---|---|---|---|---|---|---|---|
| ID         | A               |       |          |       |  |    |    |    |    |    |    |    |    |    |    |    |    |    |    |    |    |    |   |   |   |   |   |   |   |   |   |   |
| Reset      | 0x00000326  |       |          |       |  |    |    |    |    |    |    |    |    |    |    |    |    |    |    |    |    |    |   |   |   |   |   |   |   |   |   |   |
| Reset      | 0 1 1 0 0 1 0 0 1 1 0 |       |          |       |  |    |    |    |    |    |    |    |    |    |    |    |    |    |    |    |    |    |   |   |   |   |   |   |   |   |   |   |
| ID         | Acce  | Field | Value ID | Value | Description                              |    |    |    |    |    |    |    |    |    |    |    |    |    |    |    |    |    |   |   |   |   |   |   |   |   |   |   |
| A          | RW  | A0    |          |       | Slope of first piecewise linear function |    |    |    |    |    |    |    |    |    |    |    |    |    |    |    |    |    |   |   |   |   |   |   |   |   |   |   |

### 6.28.1.8 A1

Address offset: 0x524

Slope of second piecewise linear function

| Bit number | 31  | 30    | 29       | 28    | 27  | 26 | 25 | 24 | 23 | 22 | 21 | 20 | 19 | 18 | 17 | 16 | 15 | 14 | 13 | 12 | 11 | 10 | 9 | 8 | 7 | 6 | 5 | 4 | 3 | 2 | 1 | 0 |
|------------|---|-------|----------|-------|---|----|----|----|----|----|----|----|----|----|----|----|----|----|----|----|----|----|---|---|---|---|---|---|---|---|---|---|
| ID         | A               |       |          |       |   |    |    |    |    |    |    |    |    |    |    |    |    |    |    |    |    |    |   |   |   |   |   |   |   |   |   |   |
| Reset      | 0x00000348  |       |          |       |   |    |    |    |    |    |    |    |    |    |    |    |    |    |    |    |    |    |   |   |   |   |   |   |   |   |   |   |
| Reset      | 0 1 1 0 1 0 0 1 0 0 0 |       |          |       |   |    |    |    |    |    |    |    |    |    |    |    |    |    |    |    |    |    |   |   |   |   |   |   |   |   |   |   |
| ID         | Acce  | Field | Value ID | Value | Description                               |    |    |    |    |    |    |    |    |    |    |    |    |    |    |    |    |    |   |   |   |   |   |   |   |   |   |   |
| A          | RW  | A1    |          |       | Slope of second piecewise linear function |    |    |    |    |    |    |    |    |    |    |    |    |    |    |    |    |    |   |   |   |   |   |   |   |   |   |   |

### 6.28.1.9 A2

Address offset: 0x528

Slope of third piecewise linear function

|                        |            |          |       |  |    |    |    |    |    |    |    |    |    |    |    |    |    |    |    |    |    |    |   |   |   |   |   |   |   |   |   |   |   |   |   |   |   |   |   |   |   |   |   |   |   |   |   |   |   |   |   |   |   |   |
|------------------------|------------|----------|-------|--|----|----|----|----|----|----|----|----|----|----|----|----|----|----|----|----|----|----|---|---|---|---|---|---|---|---|---|---|---|---|---|---|---|---|---|---|---|---|---|---|---|---|---|---|---|---|---|---|---|---|
| Bit number             | 31         | 30       | 29    | 28                                       | 27 | 26 | 25 | 24 | 23 | 22 | 21 | 20 | 19 | 18 | 17 | 16 | 15 | 14 | 13 | 12 | 11 | 10 | 9 | 8 | 7 | 6 | 5 | 4 | 3 | 2 | 1 | 0 |   |   |   |   |   |   |   |   |   |   |   |   |   |   |   |   |   |   |   |   |   |   |
| ID                     |            |          |       |  |    |    |    |    |    |    |    |    |    |    |    |    |    |    |    |    |    |    |   | A | A | A | A | A | A | A | A | A | A | A | A | A | A | A | A | A | A | A | A | A | A | A | A | A | A | A | A | A | A | A |
| <b>Reset 0x00003AA</b> | 0          | 0        | 0     | 0  | 0  | 0  | 0  | 0  | 0  | 0  | 0  | 0  | 0  | 0  | 0  | 0  | 0  | 0  | 0  | 0  | 0  | 0  | 0 | 0 | 1 | 1 | 1 | 0 | 1 | 0 | 1 | 0 | 1 | 0 |   |   |   |   |   |   |   |   |   |   |   |   |   |   |   |   |   |   |   |   |
| ID                     | Acce Field | Value ID | Value | Description                              |    |    |    |    |    |    |    |    |    |    |    |    |    |    |    |    |    |    |   |   |   |   |   |   |   |   |   |   |   |   |   |   |   |   |   |   |   |   |   |   |   |   |   |   |   |   |   |   |   |   |
| A                      | RW         | A2       |       | Slope of third piecewise linear function |    |    |    |    |    |    |    |    |    |    |    |    |    |    |    |    |    |    |   |   |   |   |   |   |   |   |   |   |   |   |   |   |   |   |   |   |   |   |   |   |   |   |   |   |   |   |   |   |   |   |

### 6.28.1.10 A3

Address offset: 0x52C

Slope of fourth piecewise linear function

|                         |            |          |       |   |    |    |    |    |    |    |    |    |    |    |    |    |    |    |    |    |    |    |   |   |   |   |   |   |   |   |   |   |   |   |   |   |   |   |   |   |   |   |   |   |   |   |   |   |   |   |   |   |   |
|-------------------------|------------|----------|-------|---|----|----|----|----|----|----|----|----|----|----|----|----|----|----|----|----|----|----|---|---|---|---|---|---|---|---|---|---|---|---|---|---|---|---|---|---|---|---|---|---|---|---|---|---|---|---|---|---|---|
| Bit number              | 31         | 30       | 29    | 28  | 27 | 26 | 25 | 24 | 23 | 22 | 21 | 20 | 19 | 18 | 17 | 16 | 15 | 14 | 13 | 12 | 11 | 10 | 9 | 8 | 7 | 6 | 5 | 4 | 3 | 2 | 1 | 0 |   |   |   |   |   |   |   |   |   |   |   |   |   |   |   |   |   |   |   |   |   |
| ID                      |            |          |       |   |    |    |    |    |    |    |    |    |    |    |    |    |    |    |    |    |    |    |   | A | A | A | A | A | A | A | A | A | A | A | A | A | A | A | A | A | A | A | A | A | A | A | A | A | A | A | A | A | A |
| <b>Reset 0x0000040E</b> | 0          | 0        | 0     | 0   | 0  | 0  | 0  | 0  | 0  | 0  | 0  | 0  | 0  | 0  | 0  | 0  | 0  | 0  | 0  | 0  | 0  | 0  | 0 | 1 | 0 | 0 | 0 | 0 | 0 | 0 | 1 | 1 | 1 | 0 |   |   |   |   |   |   |   |   |   |   |   |   |   |   |   |   |   |   |   |
| ID                      | Acce Field | Value ID | Value | Description                               |    |    |    |    |    |    |    |    |    |    |    |    |    |    |    |    |    |    |   |   |   |   |   |   |   |   |   |   |   |   |   |   |   |   |   |   |   |   |   |   |   |   |   |   |   |   |   |   |   |
| A                       | RW         | A3       |       | Slope of fourth piecewise linear function |    |    |    |    |    |    |    |    |    |    |    |    |    |    |    |    |    |    |   |   |   |   |   |   |   |   |   |   |   |   |   |   |   |   |   |   |   |   |   |   |   |   |   |   |   |   |   |   |   |

### 6.28.1.11 A4

Address offset: 0x530

Slope of fifth piecewise linear function

|                         |            |          |       |  |    |    |    |    |    |    |    |    |    |    |    |    |    |    |    |    |    |    |   |   |   |   |   |   |   |   |   |   |   |   |   |   |   |   |   |   |   |   |   |   |   |   |   |   |   |   |   |   |   |
|-------------------------|------------|----------|-------|--|----|----|----|----|----|----|----|----|----|----|----|----|----|----|----|----|----|----|---|---|---|---|---|---|---|---|---|---|---|---|---|---|---|---|---|---|---|---|---|---|---|---|---|---|---|---|---|---|---|
| Bit number              | 31         | 30       | 29    | 28                                       | 27 | 26 | 25 | 24 | 23 | 22 | 21 | 20 | 19 | 18 | 17 | 16 | 15 | 14 | 13 | 12 | 11 | 10 | 9 | 8 | 7 | 6 | 5 | 4 | 3 | 2 | 1 | 0 |   |   |   |   |   |   |   |   |   |   |   |   |   |   |   |   |   |   |   |   |   |
| ID                      |            |          |       |  |    |    |    |    |    |    |    |    |    |    |    |    |    |    |    |    |    |    |   | A | A | A | A | A | A | A | A | A | A | A | A | A | A | A | A | A | A | A | A | A | A | A | A | A | A | A | A | A | A |
| <b>Reset 0x000004BD</b> | 0          | 0        | 0     | 0  | 0  | 0  | 0  | 0  | 0  | 0  | 0  | 0  | 0  | 0  | 0  | 0  | 0  | 0  | 0  | 0  | 0  | 0  | 0 | 1 | 0 | 0 | 1 | 0 | 1 | 1 | 1 | 1 | 0 | 1 |   |   |   |   |   |   |   |   |   |   |   |   |   |   |   |   |   |   |   |
| ID                      | Acce Field | Value ID | Value | Description                              |    |    |    |    |    |    |    |    |    |    |    |    |    |    |    |    |    |    |   |   |   |   |   |   |   |   |   |   |   |   |   |   |   |   |   |   |   |   |   |   |   |   |   |   |   |   |   |   |   |
| A                       | RW         | A4       |       | Slope of fifth piecewise linear function |    |    |    |    |    |    |    |    |    |    |    |    |    |    |    |    |    |    |   |   |   |   |   |   |   |   |   |   |   |   |   |   |   |   |   |   |   |   |   |   |   |   |   |   |   |   |   |   |   |

### 6.28.1.12 A5

Address offset: 0x534

Slope of sixth piecewise linear function

|                         |            |          |       |  |    |    |    |    |    |    |    |    |    |    |    |    |    |    |    |    |    |    |   |   |   |   |   |   |   |   |   |   |   |   |   |   |   |   |   |   |   |   |   |   |   |   |   |   |   |   |   |   |   |
|-------------------------|------------|----------|-------|--|----|----|----|----|----|----|----|----|----|----|----|----|----|----|----|----|----|----|---|---|---|---|---|---|---|---|---|---|---|---|---|---|---|---|---|---|---|---|---|---|---|---|---|---|---|---|---|---|---|
| Bit number              | 31         | 30       | 29    | 28                                       | 27 | 26 | 25 | 24 | 23 | 22 | 21 | 20 | 19 | 18 | 17 | 16 | 15 | 14 | 13 | 12 | 11 | 10 | 9 | 8 | 7 | 6 | 5 | 4 | 3 | 2 | 1 | 0 |   |   |   |   |   |   |   |   |   |   |   |   |   |   |   |   |   |   |   |   |   |
| ID                      |            |          |       |  |    |    |    |    |    |    |    |    |    |    |    |    |    |    |    |    |    |    |   | A | A | A | A | A | A | A | A | A | A | A | A | A | A | A | A | A | A | A | A | A | A | A | A | A | A | A | A | A | A |
| <b>Reset 0x000005A3</b> | 0          | 0        | 0     | 0  | 0  | 0  | 0  | 0  | 0  | 0  | 0  | 0  | 0  | 0  | 0  | 0  | 0  | 0  | 0  | 0  | 0  | 0  | 0 | 1 | 0 | 1 | 1 | 0 | 1 | 0 | 0 | 0 | 1 | 1 |   |   |   |   |   |   |   |   |   |   |   |   |   |   |   |   |   |   |   |
| ID                      | Acce Field | Value ID | Value | Description                              |    |    |    |    |    |    |    |    |    |    |    |    |    |    |    |    |    |    |   |   |   |   |   |   |   |   |   |   |   |   |   |   |   |   |   |   |   |   |   |   |   |   |   |   |   |   |   |   |   |
| A                       | RW         | A5       |       | Slope of sixth piecewise linear function |    |    |    |    |    |    |    |    |    |    |    |    |    |    |    |    |    |    |   |   |   |   |   |   |   |   |   |   |   |   |   |   |   |   |   |   |   |   |   |   |   |   |   |   |   |   |   |   |   |

### 6.28.1.13 B0

Address offset: 0x540

y-intercept of first piecewise linear function

|                         |            |          |       |  |    |    |    |    |    |    |    |    |    |    |    |    |    |    |    |    |    |    |   |   |   |   |   |   |   |   |   |   |   |   |   |   |   |   |   |   |   |   |   |   |   |   |   |   |   |   |   |   |   |
|-------------------------|------------|----------|-------|--|----|----|----|----|----|----|----|----|----|----|----|----|----|----|----|----|----|----|---|---|---|---|---|---|---|---|---|---|---|---|---|---|---|---|---|---|---|---|---|---|---|---|---|---|---|---|---|---|---|
| Bit number              | 31         | 30       | 29    | 28   | 27 | 26 | 25 | 24 | 23 | 22 | 21 | 20 | 19 | 18 | 17 | 16 | 15 | 14 | 13 | 12 | 11 | 10 | 9 | 8 | 7 | 6 | 5 | 4 | 3 | 2 | 1 | 0 |   |   |   |   |   |   |   |   |   |   |   |   |   |   |   |   |   |   |   |   |   |
| ID                      |            |          |       |  |    |    |    |    |    |    |    |    |    |    |    |    |    |    |    |    |    |    |   | A | A | A | A | A | A | A | A | A | A | A | A | A | A | A | A | A | A | A | A | A | A | A | A | A | A | A | A | A | A |
| <b>Reset 0x00003FEF</b> | 0          | 0        | 0     | 0  | 0  | 0  | 0  | 0  | 0  | 0  | 0  | 0  | 0  | 0  | 0  | 0  | 0  | 0  | 0  | 0  | 0  | 0  | 1 | 1 | 1 | 1 | 1 | 1 | 1 | 1 | 0 | 1 | 1 | 1 | 1 |   |   |   |   |   |   |   |   |   |   |   |   |   |   |   |   |   |   |
| ID                      | Acce Field | Value ID | Value | Description                                    |    |    |    |    |    |    |    |    |    |    |    |    |    |    |    |    |    |    |   |   |   |   |   |   |   |   |   |   |   |   |   |   |   |   |   |   |   |   |   |   |   |   |   |   |   |   |   |   |   |
| A                       | RW         | B0       |       | y-intercept of first piecewise linear function |    |    |    |    |    |    |    |    |    |    |    |    |    |    |    |    |    |    |   |   |   |   |   |   |   |   |   |   |   |   |   |   |   |   |   |   |   |   |   |   |   |   |   |   |   |   |   |   |   |

### 6.28.1.14 B1

Address offset: 0x544

y-intercept of second piecewise linear function

|                  |            |          |       |   |    |    |    |    |    |    |    |    |    |    |    |    |    |    |    |    |    |    |   |   |   |   |   |   |   |   |   |   |   |   |   |   |   |   |   |   |   |   |   |   |   |   |   |
|------------------|------------|----------|-------|---|----|----|----|----|----|----|----|----|----|----|----|----|----|----|----|----|----|----|---|---|---|---|---|---|---|---|---|---|---|---|---|---|---|---|---|---|---|---|---|---|---|---|---|
| Bit number       | 31         | 30       | 29    | 28  | 27 | 26 | 25 | 24 | 23 | 22 | 21 | 20 | 19 | 18 | 17 | 16 | 15 | 14 | 13 | 12 | 11 | 10 | 9 | 8 | 7 | 6 | 5 | 4 | 3 | 2 | 1 | 0 |   |   |   |   |   |   |   |   |   |   |   |   |   |   |   |
| ID               |            |          |       |   |    |    |    |    |    |    |    |    |    |    |    |    | A  | A  | A  | A  | A  | A  | A | A | A | A | A | A | A | A | A | A | A | A | A | A | A | A | A | A | A | A | A | A | A | A | A |
| Reset 0x00003FBE | 0          | 0        | 0     | 0   | 0  | 0  | 0  | 0  | 0  | 0  | 0  | 0  | 0  | 0  | 0  | 0  | 0  | 0  | 0  | 0  | 1  | 1  | 1 | 1 | 1 | 1 | 0 | 1 | 1 | 1 | 1 | 1 | 0 |   |   |   |   |   |   |   |   |   |   |   |   |   |   |
| ID               | Acce Field | Value ID | Value | Description                                     |    |    |    |    |    |    |    |    |    |    |    |    |    |    |    |    |    |    |   |   |   |   |   |   |   |   |   |   |   |   |   |   |   |   |   |   |   |   |   |   |   |   |   |
| A                | RW         | B1       |       | y-intercept of second piecewise linear function |    |    |    |    |    |    |    |    |    |    |    |    |    |    |    |    |    |    |   |   |   |   |   |   |   |   |   |   |   |   |   |   |   |   |   |   |   |   |   |   |   |   |   |

### 6.28.1.15 B2

Address offset: 0x548

y-intercept of third piecewise linear function

|                  |            |          |       |  |    |    |    |    |    |    |    |    |    |    |    |    |    |    |    |    |    |    |   |   |   |   |   |   |   |   |   |   |   |   |   |   |   |   |   |   |   |   |   |   |   |   |   |
|------------------|------------|----------|-------|--|----|----|----|----|----|----|----|----|----|----|----|----|----|----|----|----|----|----|---|---|---|---|---|---|---|---|---|---|---|---|---|---|---|---|---|---|---|---|---|---|---|---|---|
| Bit number       | 31         | 30       | 29    | 28   | 27 | 26 | 25 | 24 | 23 | 22 | 21 | 20 | 19 | 18 | 17 | 16 | 15 | 14 | 13 | 12 | 11 | 10 | 9 | 8 | 7 | 6 | 5 | 4 | 3 | 2 | 1 | 0 |   |   |   |   |   |   |   |   |   |   |   |   |   |   |   |
| ID               |            |          |       |  |    |    |    |    |    |    |    |    |    |    |    |    | A  | A  | A  | A  | A  | A  | A | A | A | A | A | A | A | A | A | A | A | A | A | A | A | A | A | A | A | A | A | A | A | A | A |
| Reset 0x00003FBE | 0          | 0        | 0     | 0  | 0  | 0  | 0  | 0  | 0  | 0  | 0  | 0  | 0  | 0  | 0  | 0  | 0  | 0  | 0  | 0  | 1  | 1  | 1 | 1 | 1 | 1 | 0 | 1 | 1 | 1 | 1 | 1 | 0 |   |   |   |   |   |   |   |   |   |   |   |   |   |   |
| ID               | Acce Field | Value ID | Value | Description                                    |    |    |    |    |    |    |    |    |    |    |    |    |    |    |    |    |    |    |   |   |   |   |   |   |   |   |   |   |   |   |   |   |   |   |   |   |   |   |   |   |   |   |   |
| A                | RW         | B2       |       | y-intercept of third piecewise linear function |    |    |    |    |    |    |    |    |    |    |    |    |    |    |    |    |    |    |   |   |   |   |   |   |   |   |   |   |   |   |   |   |   |   |   |   |   |   |   |   |   |   |   |

### 6.28.1.16 B3

Address offset: 0x54C

y-intercept of fourth piecewise linear function

|                  |            |          |       |   |    |    |    |    |    |    |    |    |    |    |    |    |    |    |    |    |    |    |   |   |   |   |   |   |   |   |   |   |   |   |   |   |   |   |   |   |   |   |   |   |   |   |   |
|------------------|------------|----------|-------|---|----|----|----|----|----|----|----|----|----|----|----|----|----|----|----|----|----|----|---|---|---|---|---|---|---|---|---|---|---|---|---|---|---|---|---|---|---|---|---|---|---|---|---|
| Bit number       | 31         | 30       | 29    | 28  | 27 | 26 | 25 | 24 | 23 | 22 | 21 | 20 | 19 | 18 | 17 | 16 | 15 | 14 | 13 | 12 | 11 | 10 | 9 | 8 | 7 | 6 | 5 | 4 | 3 | 2 | 1 | 0 |   |   |   |   |   |   |   |   |   |   |   |   |   |   |   |
| ID               |            |          |       |   |    |    |    |    |    |    |    |    |    |    |    |    | A  | A  | A  | A  | A  | A  | A | A | A | A | A | A | A | A | A | A | A | A | A | A | A | A | A | A | A | A | A | A | A | A | A |
| Reset 0x00000012 | 0          | 0        | 0     | 0   | 0  | 0  | 0  | 0  | 0  | 0  | 0  | 0  | 0  | 0  | 0  | 0  | 0  | 0  | 0  | 0  | 0  | 0  | 0 | 0 | 0 | 0 | 0 | 0 | 0 | 0 | 0 | 0 | 1 | 0 | 0 | 1 | 0 |   |   |   |   |   |   |   |   |   |   |
| ID               | Acce Field | Value ID | Value | Description                                     |    |    |    |    |    |    |    |    |    |    |    |    |    |    |    |    |    |    |   |   |   |   |   |   |   |   |   |   |   |   |   |   |   |   |   |   |   |   |   |   |   |   |   |
| A                | RW         | B3       |       | y-intercept of fourth piecewise linear function |    |    |    |    |    |    |    |    |    |    |    |    |    |    |    |    |    |    |   |   |   |   |   |   |   |   |   |   |   |   |   |   |   |   |   |   |   |   |   |   |   |   |   |

### 6.28.1.17 B4

Address offset: 0x550

y-intercept of fifth piecewise linear function

|                  |            |          |       |  |    |    |    |    |    |    |    |    |    |    |    |    |    |    |    |    |    |    |   |   |   |   |   |   |   |   |   |   |   |   |   |   |   |   |   |   |   |   |   |   |   |   |   |   |
|------------------|------------|----------|-------|--|----|----|----|----|----|----|----|----|----|----|----|----|----|----|----|----|----|----|---|---|---|---|---|---|---|---|---|---|---|---|---|---|---|---|---|---|---|---|---|---|---|---|---|---|
| Bit number       | 31         | 30       | 29    | 28   | 27 | 26 | 25 | 24 | 23 | 22 | 21 | 20 | 19 | 18 | 17 | 16 | 15 | 14 | 13 | 12 | 11 | 10 | 9 | 8 | 7 | 6 | 5 | 4 | 3 | 2 | 1 | 0 |   |   |   |   |   |   |   |   |   |   |   |   |   |   |   |   |
| ID               |            |          |       |  |    |    |    |    |    |    |    |    |    |    |    |    | A  | A  | A  | A  | A  | A  | A | A | A | A | A | A | A | A | A | A | A | A | A | A | A | A | A | A | A | A | A | A | A | A | A | A |
| Reset 0x00000124 | 0          | 0        | 0     | 0  | 0  | 0  | 0  | 0  | 0  | 0  | 0  | 0  | 0  | 0  | 0  | 0  | 0  | 0  | 0  | 0  | 0  | 0  | 0 | 0 | 0 | 1 | 0 | 0 | 1 | 0 | 0 | 1 | 0 | 0 | 0 | 0 |   |   |   |   |   |   |   |   |   |   |   |   |
| ID               | Acce Field | Value ID | Value | Description                                    |    |    |    |    |    |    |    |    |    |    |    |    |    |    |    |    |    |    |   |   |   |   |   |   |   |   |   |   |   |   |   |   |   |   |   |   |   |   |   |   |   |   |   |   |
| A                | RW         | B4       |       | y-intercept of fifth piecewise linear function |    |    |    |    |    |    |    |    |    |    |    |    |    |    |    |    |    |    |   |   |   |   |   |   |   |   |   |   |   |   |   |   |   |   |   |   |   |   |   |   |   |   |   |   |

### 6.28.1.18 B5

Address offset: 0x554

y-intercept of sixth piecewise linear function

|                  |   |          |       |  |    |    |    |    |    |    |    |    |    |    |    |    |    |    |    |    |    |    |   |   |   |   |   |   |   |   |   |   |
|------------------|---|----------|-------|--|----|----|----|----|----|----|----|----|----|----|----|----|----|----|----|----|----|----|---|---|---|---|---|---|---|---|---|---|
| Bit number       | 31  | 30       | 29    | 28   | 27 | 26 | 25 | 24 | 23 | 22 | 21 | 20 | 19 | 18 | 17 | 16 | 15 | 14 | 13 | 12 | 11 | 10 | 9 | 8 | 7 | 6 | 5 | 4 | 3 | 2 | 1 | 0 |
| ID               | A A A A A A A A A A A A A A A A A A                                   |          |       |  |    |    |    |    |    |    |    |    |    |    |    |    |    |    |    |    |    |    |   |   |   |   |   |   |   |   |   |   |
| Reset 0x0000027C | 0 1 0 0 1 1 1 1 1 0 0 |          |       |  |    |    |    |    |    |    |    |    |    |    |    |    |    |    |    |    |    |    |   |   |   |   |   |   |   |   |   |   |
| ID               | Acce Field  | Value ID | Value | Description                                    |    |    |    |    |    |    |    |    |    |    |    |    |    |    |    |    |    |    |   |   |   |   |   |   |   |   |   |   |
| A                | RW  | B5       |       | y-intercept of sixth piecewise linear function |    |    |    |    |    |    |    |    |    |    |    |    |    |    |    |    |    |    |   |   |   |   |   |   |   |   |   |   |

### 6.28.1.19 T0

Address offset: 0x560

End point of first piecewise linear function

|                  |   |          |       |  |    |    |    |    |    |    |    |    |    |    |    |    |    |    |    |    |    |    |   |   |   |   |   |   |   |   |   |   |
|------------------|---|----------|-------|--|----|----|----|----|----|----|----|----|----|----|----|----|----|----|----|----|----|----|---|---|---|---|---|---|---|---|---|---|
| Bit number       | 31  | 30       | 29    | 28   | 27 | 26 | 25 | 24 | 23 | 22 | 21 | 20 | 19 | 18 | 17 | 16 | 15 | 14 | 13 | 12 | 11 | 10 | 9 | 8 | 7 | 6 | 5 | 4 | 3 | 2 | 1 | 0 |
| ID               | A A A A A A A A A A A A A A A A A A                                 |          |       |  |    |    |    |    |    |    |    |    |    |    |    |    |    |    |    |    |    |    |   |   |   |   |   |   |   |   |   |   |
| Reset 0x000000E2 | 0 1 1 1 0 0 0 1 0 |          |       |  |    |    |    |    |    |    |    |    |    |    |    |    |    |    |    |    |    |    |   |   |   |   |   |   |   |   |   |   |
| ID               | Acce Field  | Value ID | Value | Description                                  |    |    |    |    |    |    |    |    |    |    |    |    |    |    |    |    |    |    |   |   |   |   |   |   |   |   |   |   |
| A                | RW  | T0       |       | End point of first piecewise linear function |    |    |    |    |    |    |    |    |    |    |    |    |    |    |    |    |    |    |   |   |   |   |   |   |   |   |   |   |

### 6.28.1.20 T1

Address offset: 0x564

End point of second piecewise linear function

|                  |   |          |       |   |    |    |    |    |    |    |    |    |    |    |    |    |    |    |    |    |    |    |   |   |   |   |   |   |   |   |   |   |
|------------------|---|----------|-------|---|----|----|----|----|----|----|----|----|----|----|----|----|----|----|----|----|----|----|---|---|---|---|---|---|---|---|---|---|
| Bit number       | 31  | 30       | 29    | 28  | 27 | 26 | 25 | 24 | 23 | 22 | 21 | 20 | 19 | 18 | 17 | 16 | 15 | 14 | 13 | 12 | 11 | 10 | 9 | 8 | 7 | 6 | 5 | 4 | 3 | 2 | 1 | 0 |
| ID               | A A A A A A A A A A A A A A A A A A                                 |          |       |   |    |    |    |    |    |    |    |    |    |    |    |    |    |    |    |    |    |    |   |   |   |   |   |   |   |   |   |   |
| Reset 0x00000000 | 0 |          |       |   |    |    |    |    |    |    |    |    |    |    |    |    |    |    |    |    |    |    |   |   |   |   |   |   |   |   |   |   |
| ID               | Acce Field  | Value ID | Value | Description                                   |    |    |    |    |    |    |    |    |    |    |    |    |    |    |    |    |    |    |   |   |   |   |   |   |   |   |   |   |
| A                | RW  | T1       |       | End point of second piecewise linear function |    |    |    |    |    |    |    |    |    |    |    |    |    |    |    |    |    |    |   |   |   |   |   |   |   |   |   |   |

### 6.28.1.21 T2

Address offset: 0x568

End point of third piecewise linear function

|                  |   |          |       |  |    |    |    |    |    |    |    |    |    |    |    |    |    |    |    |    |    |    |   |   |   |   |   |   |   |   |   |   |
|------------------|---|----------|-------|--|----|----|----|----|----|----|----|----|----|----|----|----|----|----|----|----|----|----|---|---|---|---|---|---|---|---|---|---|
| Bit number       | 31  | 30       | 29    | 28   | 27 | 26 | 25 | 24 | 23 | 22 | 21 | 20 | 19 | 18 | 17 | 16 | 15 | 14 | 13 | 12 | 11 | 10 | 9 | 8 | 7 | 6 | 5 | 4 | 3 | 2 | 1 | 0 |
| ID               | A A A A A A A A A A A A A A A A A A                                   |          |       |  |    |    |    |    |    |    |    |    |    |    |    |    |    |    |    |    |    |    |   |   |   |   |   |   |   |   |   |   |
| Reset 0x00000019 | 0 1 1 1 0 0 1 |          |       |  |    |    |    |    |    |    |    |    |    |    |    |    |    |    |    |    |    |    |   |   |   |   |   |   |   |   |   |   |
| ID               | Acce Field  | Value ID | Value | Description                                  |    |    |    |    |    |    |    |    |    |    |    |    |    |    |    |    |    |    |   |   |   |   |   |   |   |   |   |   |
| A                | RW  | T2       |       | End point of third piecewise linear function |    |    |    |    |    |    |    |    |    |    |    |    |    |    |    |    |    |    |   |   |   |   |   |   |   |   |   |   |

### 6.28.1.22 T3

Address offset: 0x56C

End point of fourth piecewise linear function

|                  |   |          |       |   |    |    |    |    |    |    |    |    |    |    |    |    |    |    |    |    |    |    |   |   |   |   |   |   |   |   |   |   |
|------------------|---|----------|-------|---|----|----|----|----|----|----|----|----|----|----|----|----|----|----|----|----|----|----|---|---|---|---|---|---|---|---|---|---|
| Bit number       | 31  | 30       | 29    | 28  | 27 | 26 | 25 | 24 | 23 | 22 | 21 | 20 | 19 | 18 | 17 | 16 | 15 | 14 | 13 | 12 | 11 | 10 | 9 | 8 | 7 | 6 | 5 | 4 | 3 | 2 | 1 | 0 |
| ID               | A A A A A A A A A A A A A A A A A A                                 |          |       |   |    |    |    |    |    |    |    |    |    |    |    |    |    |    |    |    |    |    |   |   |   |   |   |   |   |   |   |   |
| Reset 0x0000003C | 0 1 1 1 1 0 0 |          |       |   |    |    |    |    |    |    |    |    |    |    |    |    |    |    |    |    |    |    |   |   |   |   |   |   |   |   |   |   |
| ID               | Acce Field  | Value ID | Value | Description                                   |    |    |    |    |    |    |    |    |    |    |    |    |    |    |    |    |    |    |   |   |   |   |   |   |   |   |   |   |
| A                | RW  | T3       |       | End point of fourth piecewise linear function |    |    |    |    |    |    |    |    |    |    |    |    |    |    |    |    |    |    |   |   |   |   |   |   |   |   |   |   |

### 6.28.1.23 T4

Address offset: 0x570

End point of fifth piecewise linear function

| Bit number       | 31  | 30    | 29       | 28    | 27   | 26 | 25 | 24 | 23 | 22 | 21 | 20 | 19 | 18 | 17 | 16 | 15 | 14 | 13 | 12 | 11 | 10 | 9 | 8 | 7 | 6 | 5 | 4 | 3 | 2 | 1 | 0 |
|------------------|---|-------|----------|-------|--|----|----|----|----|----|----|----|----|----|----|----|----|----|----|----|----|----|---|---|---|---|---|---|---|---|---|---|
| ID               | A A A A A A A A   |       |          |       |  |    |    |    |    |    |    |    |    |    |    |    |    |    |    |    |    |    |   |   |   |   |   |   |   |   |   |   |
| Reset 0x00000050 | 0 1 0 1 0 0 0 0 |       |          |       |  |    |    |    |    |    |    |    |    |    |    |    |    |    |    |    |    |    |   |   |   |   |   |   |   |   |   |   |
| ID               | Acce  | Field | Value ID | Value | Description                                  |    |    |    |    |    |    |    |    |    |    |    |    |    |    |    |    |    |   |   |   |   |   |   |   |   |   |   |
| A                | RW  | T4    |          |       | End point of fifth piecewise linear function |    |    |    |    |    |    |    |    |    |    |    |    |    |    |    |    |    |   |   |   |   |   |   |   |   |   |   |

## 6.28.2 Electrical specification

### 6.28.2.1 Temperature Sensor Electrical Specification

| Symbol           | Description   | Min.  | Typ. | Max. | Units        |
|------------------|---|-------|------|------|--------------|
| $t_{TEMP}$       | Time required for temperature measurement                 |       | 36   |      | $\mu$ s      |
| $T_{TEMP,RANGE}$ | Temperature sensor range                                  | -40   |      | 85   | $^{\circ}$ C |
| $T_{TEMP,ACC}$   | Temperature sensor accuracy                               | -5    |      | 5    | $^{\circ}$ C |
| $T_{TEMP,RES}$   | Temperature sensor resolution                             |       | 0.25 |      | $^{\circ}$ C |
| $T_{TEMP,STB}$   | Sample to sample stability at constant device temperature | -0.25 |      | 0.25 | $^{\circ}$ C |
| $T_{TEMP,OFFST}$ | Sample offset at 25 $^{\circ}$ C                          | -2.5  |      | 2.5  | $^{\circ}$ C |

## 6.29 TWI — I<sup>2</sup>C compatible two-wire interface

The TWI master is compatible with I<sup>2</sup>C operating at 100 kHz and 400 kHz.

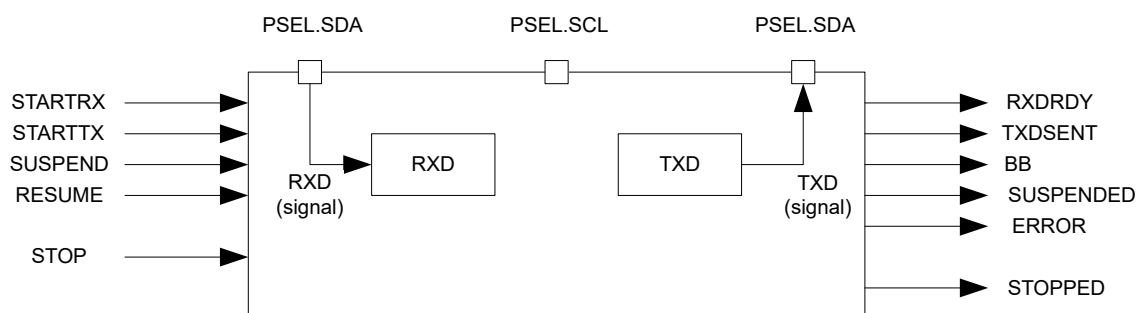


Figure 166: TWI master's main features

### 6.29.1 Functional description

This TWI master is not compatible with CBUS. The TWI transmitter and receiver are single buffered.

See [TWI master's main features](#) on page 449.

A TWI setup with one master and three slaves is shown in the following figure. This TWI master is only able to operate as the only master on the TWI bus.

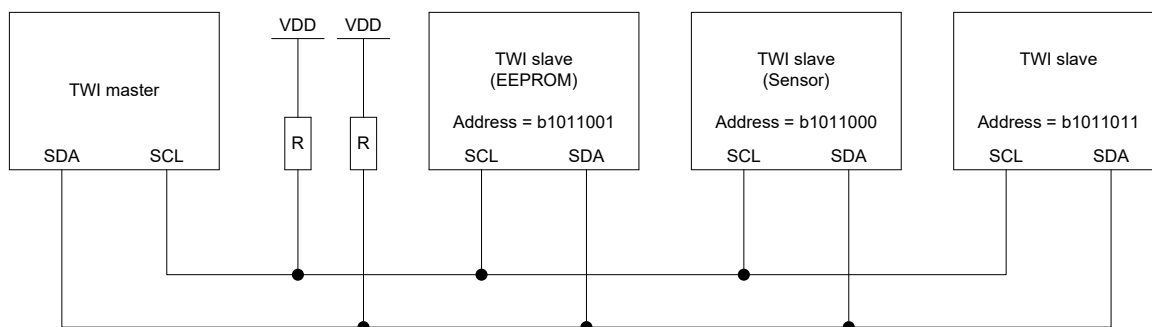


Figure 167: A typical TWI setup with one master and three slaves

This TWI master supports clock stretching performed by the slaves. The TWI master is started by triggering the STARTTX or STARTRX tasks, and stopped by triggering the STOP task.

If a NACK is clocked in from the slave, the TWI master will generate an ERROR event.

### 6.29.2 Master mode pin configuration

The different signals SCL and SDA associated with the TWI master are mapped to physical pins according to the configuration specified in the PSEL.SCL and PSEL.SDA registers respectively.

If the CONNECT field of a PSEL.xxx register is set to Disconnected, the associated TWI signal is not connected to any physical pin. The PSEL.SCL and PSEL.SDA registers and their configurations are only used as long as the TWI master is enabled, and retained only as long as the device is in ON mode. PSEL.SCL and PSEL.SDA must only be configured when TWI is disabled.

To secure correct signal levels on the pins used by the TWI master when the system is in OFF mode, and when the TWI master is disabled, these pins must be configured in the GPIO peripheral as described in [GPIO configuration](#) on page 450.

Only one peripheral can be assigned to drive a particular GPIO pin at a time, failing to do so may result in unpredictable behavior.

| TWI master signal | TWI master pin           | Direction | Drive strength | Output value   |
|-------------------|--------------------------|-----------|----------------|----------------|
| SCL               | As specified in PSEL.SCL | Input     | S0D1           | Not applicable |
| SDA               | As specified in PSEL.SDA | Input     | S0D1           | Not applicable |

Table 118: GPIO configuration

### 6.29.3 Shared resources

TWI shares registers and other resources with other peripherals that have the same ID as TWI.

Therefore, you must disable all peripherals that have the same ID as TWI before TWI can be configured and used. Disabling a peripheral that has the same ID as TWI will not reset any of the registers that are shared with TWI. It is therefore important to configure all relevant TWI registers explicitly to secure that it operates correctly.

The Instantiation table in [Instantiation](#) on page 23 shows which peripherals have the same ID as TWI.

### 6.29.4 Master write sequence

A TWI master write sequence is started by triggering the STARTTX task. After the STARTTX task has been triggered, the TWI master will generate a start condition on the TWI bus, followed by clocking out the address and the READ/WRITE bit set to 0 (WRITE=0, READ=1).

The address must match the address of the slave device that the master wants to write to. The READ/WRITE bit is followed by an ACK/NACK bit (ACK=0 or NACK=1) generated by the slave.

After receiving the ACK bit, the TWI master will clock out the data bytes that are written to the TXD register. Each byte clocked out from the master will be followed by an ACK/NACK bit clocked in from the slave. A TXDSENT event will be generated each time the TWI master has clocked out a TXD byte, and the associated ACK/NACK bit has been clocked in from the slave.

The TWI master transmitter is single buffered. A second byte can only be written to the TXD register after the previous byte has been clocked out and the ACK/NACK bit clocked in, that is, after the TXDSENT event has been generated.

If the CPU is prevented from writing to TXD when the TWI master is ready to clock out a byte, the TWI master will stretch the clock until the CPU has written a byte to the TXD register.

A typical TWI master write sequence is illustrated in [The TWI master writing data to a slave](#) on page 451. Occurrence 3 in the figure illustrates delayed processing of the TXDSENT event associated with TXD byte 1. In this scenario the TWI master will stretch the clock to prevent writing erroneous data to the slave.

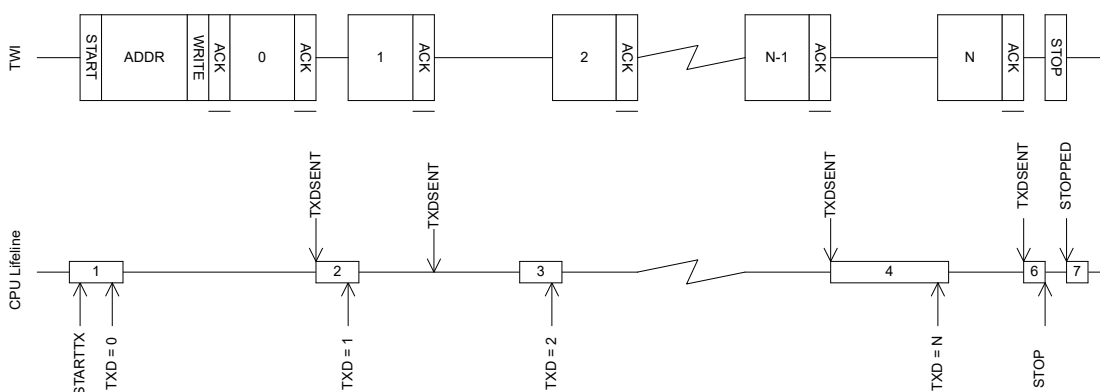


Figure 168: The TWI master writing data to a slave

The TWI master write sequence is stopped when the STOP task is triggered, causing the TWI master to generate a stop condition on the TWI bus.

### 6.29.5 Master read sequence

A TWI master read sequence is started by triggering the STARTRX task. After the STARTRX task has been triggered, the TWI master will generate a start condition on the TWI bus, followed by clocking out the address and the READ/WRITE bit set to 1 (WRITE = 0, READ = 1).

The address must match the address of the slave device that the master wants to read from. The READ/WRITE bit is followed by an ACK/NACK bit (ACK=0 or NACK = 1) generated by the slave.

After having sent the ACK bit, the TWI slave will send data to the master using the clock generated by the master.

The TWI master will generate a RXDRDY event every time a new byte is received in the RXD register.

After receiving a byte, the TWI master will delay sending the ACK/NACK bit by stretching the clock until the CPU has extracted the received byte, by reading the RXD register.

The TWI master read sequence is stopped by triggering the STOP task. This task must be triggered before the last byte is extracted from RXD to ensure that the TWI master sends a NACK back to the slave before generating the stop condition.

A typical TWI master read sequence is illustrated in [The TWI master reading data from a slave](#) on page 452. Occurrence 3 in this figure illustrates delayed processing of the RXDRDY event associated with RXD byte B. In this scenario the TWI master will stretch the clock to prevent the slave from overwriting the contents of the RXD register.

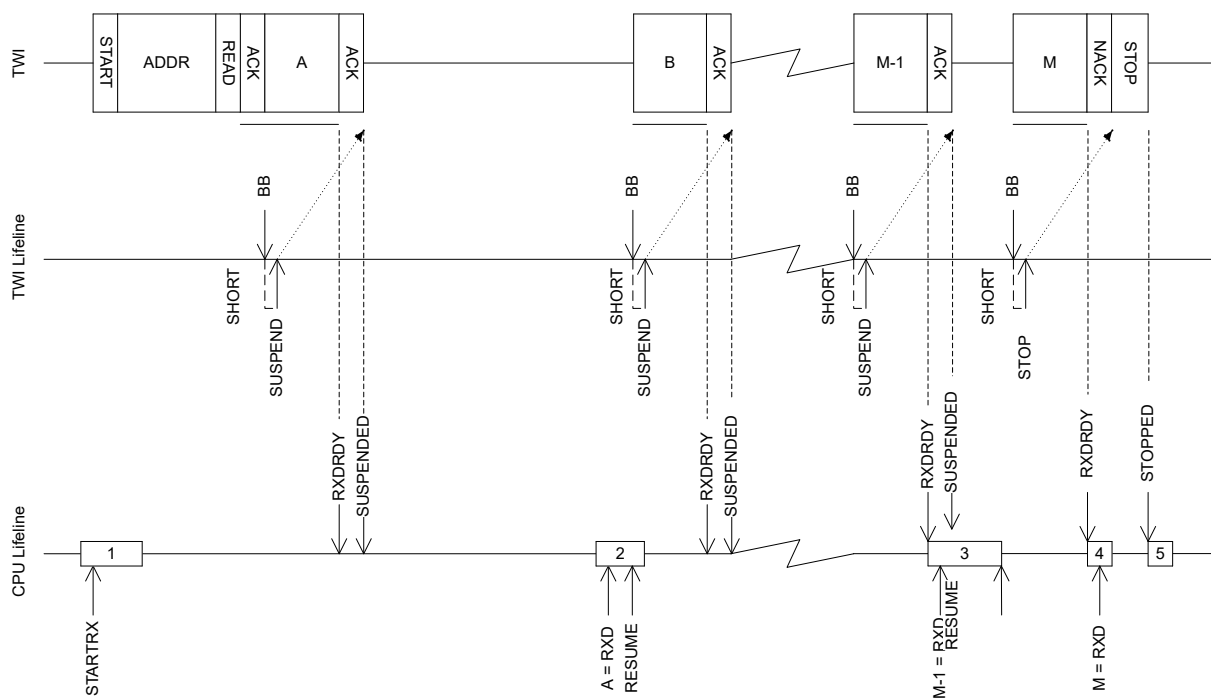


Figure 169: The TWI master reading data from a slave

### 6.29.6 Master repeated start sequence

A typical repeated start sequence is one in which the TWI master writes one byte to the slave followed by reading M bytes from the slave. Any combination and number of transmit and receive sequences can be combined in this fashion. Only one shortcut to STOP can be enabled at any given time.

The following figure shows a repeated start sequence where the TWI master writes one byte, followed by reading M bytes from the slave without performing a stop in-between.



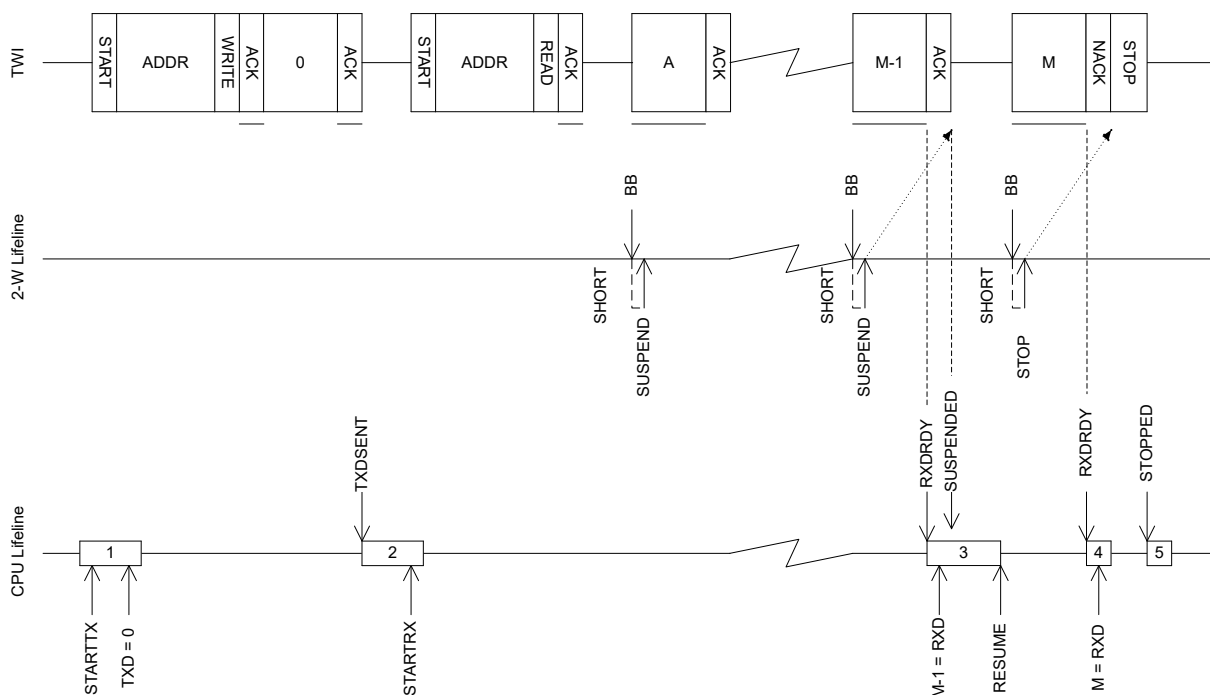


Figure 170: Repeated start sequence illustration

To generate a repeated start after a read sequence, a second start task, STARTRX or STARTTX, must be triggered instead of the STOP task. This start task must be triggered before the last byte is extracted from RXD to ensure that the TWI master sends a NACK back to the slave before generating the repeated start condition.

### 6.29.7 Low power

When putting the system in low power and the peripheral is not needed, lowest possible power consumption is achieved by stopping, and then disabling the peripheral.

The STOP task is not always needed, like when the peripheral is already stopped. If the STOP task is sent, the software shall wait until the STOPPED event was received as a response before disabling the peripheral through the ENABLE register.

### 6.29.8 Registers

| Base address | Peripheral | Instance | Description                 | Configuration |
|--------------|------------|----------|-----------------------------|---------------|
| 0x40003000   | TWI        | TWI0     | Two-wire interface master 0 | Deprecated    |
| 0x40004000   | TWI        | TWI1     | Two-wire interface master 1 | Deprecated    |

Table 119: Instances

| Register        | Offset | Description                 |
|-----------------|--------|-----------------------------|
| TASKS_STARTRX   | 0x000  | Start TWI receive sequence  |
| TASKS_STARTTX   | 0x008  | Start TWI transmit sequence |
| TASKS_STOP      | 0x014  | Stop TWI transaction        |
| TASKS_SUSPEND   | 0x01C  | Suspend TWI transaction     |
| TASKS_RESUME    | 0x020  | Resume TWI transaction      |
| EVENTS_STOPPED  | 0x104  | TWI stopped                 |
| EVENTS_RXDREADY | 0x108  | TWI RXD byte received       |
| EVENTS_TXDSENT  | 0x11C  | TWI TXD byte sent           |

| Register         | Offset | Description  |
|------------------|--------|--|
| EVENTS_ERROR     | 0x124  | TWI error  |
| EVENTS_BB        | 0x138  | TWI byte boundary, generated before each byte that is sent or received |
| EVENTS_SUSPENDED | 0x148  | TWI entered the suspended state  |
| SHORTS           | 0x200  | Shortcuts between local events and tasks                               |
| INTENSET         | 0x304  | Enable interrupt   |
| INTENCLR         | 0x308  | Disable interrupt  |
| ERRORSRC         | 0x4C4  | Error source   |
| ENABLE           | 0x500  | Enable TWI   |
| PSEL_SCL         | 0x508  | Pin select for SCL   |
| PSEL_SDA         | 0x50C  | Pin select for SDA   |
| RXD              | 0x518  | RXD register   |
| TXD              | 0x51C  | TXD register   |
| FREQUENCY        | 0x524  | TWI frequency. Accuracy depends on the HFCLK source selected.          |
| ADDRESS          | 0x588  | Address used in the TWI transfer                                       |

Table 120: Register overview

### 6.29.8.1 TASKS\_STARTRX

Address offset: 0x000

Start TWI receive sequence

| Bit number       | 31  | 30            | 29      | 28 | 27    | 26                         | 25 | 24 | 23 | 22 | 21 | 20 | 19 | 18 | 17 | 16 | 15 | 14 | 13 | 12 | 11 | 10 | 9 | 8 | 7 | 6 | 5 | 4 | 3 | 2 | 1 | 0 |
|------------------|---|---------------|---------|----|-------|----------------------------|----|----|----|----|----|----|----|----|----|----|----|----|----|----|----|----|---|---|---|---|---|---|---|---|---|---|
| ID               |   |               |         |    |       |                            |    |    |    |    |    |    |    |    |    |    |    |    |    |    |    |    |   |   |   |   |   |   |   |   |   | A |
| Reset 0x00000000 | 0 |               |         |    |       |                            |    |    |    |    |    |    |    |    |    |    |    |    |    |    |    |    |   |   |   |   |   |   |   |   |   |   |
| ID               | Acce  | Field         | Value   | ID | Value | Description                |    |    |    |    |    |    |    |    |    |    |    |    |    |    |    |    |   |   |   |   |   |   |   |   |   |   |
| A                | W   | TASKS_STARTRX |         |    |       | Start TWI receive sequence |    |    |    |    |    |    |    |    |    |    |    |    |    |    |    |    |   |   |   |   |   |   |   |   |   |   |
|                  |   |               | Trigger |    | 1     | Trigger task               |    |    |    |    |    |    |    |    |    |    |    |    |    |    |    |    |   |   |   |   |   |   |   |   |   |   |

### 6.29.8.2 TASKS\_STARTTX

Address offset: 0x008

Start TWI transmit sequence

| Bit number       | 31  | 30            | 29      | 28 | 27    | 26                          | 25 | 24 | 23 | 22 | 21 | 20 | 19 | 18 | 17 | 16 | 15 | 14 | 13 | 12 | 11 | 10 | 9 | 8 | 7 | 6 | 5 | 4 | 3 | 2 | 1 | 0 |
|------------------|---|---------------|---------|----|-------|-----------------------------|----|----|----|----|----|----|----|----|----|----|----|----|----|----|----|----|---|---|---|---|---|---|---|---|---|---|
| ID               |   |               |         |    |       |                             |    |    |    |    |    |    |    |    |    |    |    |    |    |    |    |    |   |   |   |   |   |   |   |   |   | A |
| Reset 0x00000000 | 0 |               |         |    |       |                             |    |    |    |    |    |    |    |    |    |    |    |    |    |    |    |    |   |   |   |   |   |   |   |   |   |   |
| ID               | Acce  | Field         | Value   | ID | Value | Description                 |    |    |    |    |    |    |    |    |    |    |    |    |    |    |    |    |   |   |   |   |   |   |   |   |   |   |
| A                | W   | TASKS_STARTTX |         |    |       | Start TWI transmit sequence |    |    |    |    |    |    |    |    |    |    |    |    |    |    |    |    |   |   |   |   |   |   |   |   |   |   |
|                  |   |               | Trigger |    | 1     | Trigger task                |    |    |    |    |    |    |    |    |    |    |    |    |    |    |    |    |   |   |   |   |   |   |   |   |   |   |

### 6.29.8.3 TASKS\_STOP

Address offset: 0x014

Stop TWI transaction

| Bit number       | 31  | 30         | 29       | 28    | 27                   | 26 | 25 | 24 | 23 | 22 | 21 | 20 | 19 | 18 | 17 | 16 | 15 | 14 | 13 | 12 | 11 | 10 | 9 | 8 | 7 | 6 | 5 | 4 | 3 | 2 | 1 | 0 |
|------------------|---|------------|----------|-------|----------------------|----|----|----|----|----|----|----|----|----|----|----|----|----|----|----|----|----|---|---|---|---|---|---|---|---|---|---|
| ID               |   |            |          |       |                      |    |    |    |    |    |    |    |    |    |    |    |    |    |    |    |    |    |   |   |   |   |   |   |   |   |   | A |
| Reset 0x00000000 | 0 |            |          |       |                      |    |    |    |    |    |    |    |    |    |    |    |    |    |    |    |    |    |   |   |   |   |   |   |   |   |   |   |
| ID               | Acce  | Field      | Value ID | Value | Description          |    |    |    |    |    |    |    |    |    |    |    |    |    |    |    |    |    |   |   |   |   |   |   |   |   |   |   |
| A                | W   | TASKS_STOP |          |       | Stop TWI transaction |    |    |    |    |    |    |    |    |    |    |    |    |    |    |    |    |    |   |   |   |   |   |   |   |   |   |   |
|                  |   |            | Trigger  | 1     | Trigger task         |    |    |    |    |    |    |    |    |    |    |    |    |    |    |    |    |    |   |   |   |   |   |   |   |   |   |   |

#### 6.29.8.4 TASKS\_SUSPEND

Address offset: 0x01C

Suspend TWI transaction

| Bit number       | 31  | 30            | 29       | 28    | 27                      | 26 | 25 | 24 | 23 | 22 | 21 | 20 | 19 | 18 | 17 | 16 | 15 | 14 | 13 | 12 | 11 | 10 | 9 | 8 | 7 | 6 | 5 | 4 | 3 | 2 | 1 | 0 |
|------------------|---|---------------|----------|-------|-------------------------|----|----|----|----|----|----|----|----|----|----|----|----|----|----|----|----|----|---|---|---|---|---|---|---|---|---|---|
| ID               |   |               |          |       |                         |    |    |    |    |    |    |    |    |    |    |    |    |    |    |    |    |    |   |   |   |   |   |   |   |   |   | A |
| Reset 0x00000000 | 0 |               |          |       |                         |    |    |    |    |    |    |    |    |    |    |    |    |    |    |    |    |    |   |   |   |   |   |   |   |   |   |   |
| ID               | Acce  | Field         | Value ID | Value | Description             |    |    |    |    |    |    |    |    |    |    |    |    |    |    |    |    |    |   |   |   |   |   |   |   |   |   |   |
| A                | W   | TASKS_SUSPEND |          |       | Suspend TWI transaction |    |    |    |    |    |    |    |    |    |    |    |    |    |    |    |    |    |   |   |   |   |   |   |   |   |   |   |
|                  |   |               | Trigger  | 1     | Trigger task            |    |    |    |    |    |    |    |    |    |    |    |    |    |    |    |    |    |   |   |   |   |   |   |   |   |   |   |

#### 6.29.8.5 TASKS\_RESUME

Address offset: 0x020

Resume TWI transaction

| Bit number       | 31  | 30           | 29       | 28    | 27                     | 26 | 25 | 24 | 23 | 22 | 21 | 20 | 19 | 18 | 17 | 16 | 15 | 14 | 13 | 12 | 11 | 10 | 9 | 8 | 7 | 6 | 5 | 4 | 3 | 2 | 1 | 0 |
|------------------|---|--------------|----------|-------|------------------------|----|----|----|----|----|----|----|----|----|----|----|----|----|----|----|----|----|---|---|---|---|---|---|---|---|---|---|
| ID               |   |              |          |       |                        |    |    |    |    |    |    |    |    |    |    |    |    |    |    |    |    |    |   |   |   |   |   |   |   |   |   | A |
| Reset 0x00000000 | 0 |              |          |       |                        |    |    |    |    |    |    |    |    |    |    |    |    |    |    |    |    |    |   |   |   |   |   |   |   |   |   |   |
| ID               | Acce  | Field        | Value ID | Value | Description            |    |    |    |    |    |    |    |    |    |    |    |    |    |    |    |    |    |   |   |   |   |   |   |   |   |   |   |
| A                | W   | TASKS_RESUME |          |       | Resume TWI transaction |    |    |    |    |    |    |    |    |    |    |    |    |    |    |    |    |    |   |   |   |   |   |   |   |   |   |   |
|                  |   |              | Trigger  | 1     | Trigger task           |    |    |    |    |    |    |    |    |    |    |    |    |    |    |    |    |    |   |   |   |   |   |   |   |   |   |   |

#### 6.29.8.6 EVENTS\_STOPPED

Address offset: 0x104

TWI stopped

| Bit number       | 31  | 30             | 29           | 28    | 27                  | 26 | 25 | 24 | 23 | 22 | 21 | 20 | 19 | 18 | 17 | 16 | 15 | 14 | 13 | 12 | 11 | 10 | 9 | 8 | 7 | 6 | 5 | 4 | 3 | 2 | 1 | 0 |
|------------------|---|----------------|--------------|-------|---------------------|----|----|----|----|----|----|----|----|----|----|----|----|----|----|----|----|----|---|---|---|---|---|---|---|---|---|---|
| ID               |   |                |              |       |                     |    |    |    |    |    |    |    |    |    |    |    |    |    |    |    |    |    |   |   |   |   |   |   |   |   |   | A |
| Reset 0x00000000 | 0 |                |              |       |                     |    |    |    |    |    |    |    |    |    |    |    |    |    |    |    |    |    |   |   |   |   |   |   |   |   |   |   |
| ID               | Acce  | Field          | Value ID     | Value | Description         |    |    |    |    |    |    |    |    |    |    |    |    |    |    |    |    |    |   |   |   |   |   |   |   |   |   |   |
| A                | RW  | EVENTS_STOPPED |              |       | TWI stopped         |    |    |    |    |    |    |    |    |    |    |    |    |    |    |    |    |    |   |   |   |   |   |   |   |   |   |   |
|                  |   |                | NotGenerated | 0     | Event not generated |    |    |    |    |    |    |    |    |    |    |    |    |    |    |    |    |    |   |   |   |   |   |   |   |   |   |   |
|                  |   |                | Generated    | 1     | Event generated     |    |    |    |    |    |    |    |    |    |    |    |    |    |    |    |    |    |   |   |   |   |   |   |   |   |   |   |

#### 6.29.8.7 EVENTS\_RXDREADY

Address offset: 0x108

TWI RXD byte received

| Bit number       | 31  | 30           | 29    | 28                    | 27 | 26 | 25 | 24 | 23 | 22 | 21 | 20 | 19 | 18 | 17 | 16 | 15 | 14 | 13 | 12 | 11 | 10 | 9 | 8 | 7 | 6 | 5 | 4 | 3 | 2 | 1 | 0 |
|------------------|---|--------------|-------|-----------------------|----|----|----|----|----|----|----|----|----|----|----|----|----|----|----|----|----|----|---|---|---|---|---|---|---|---|---|---|
| ID               |   |              |       |                       |    |    |    |    |    |    |    |    |    |    |    |    |    |    |    |    |    |    |   |   |   |   |   |   |   |   |   | A |
| Reset 0x00000000 | 0 |              |       |                       |    |    |    |    |    |    |    |    |    |    |    |    |    |    |    |    |    |    |   |   |   |   |   |   |   |   |   |   |
| ID               | Acce Field  | Value ID     | Value | Description           |    |    |    |    |    |    |    |    |    |    |    |    |    |    |    |    |    |    |   |   |   |   |   |   |   |   |   |   |
| A                | RW EVENTS_RXDREADY  |              |       | TWI RXD byte received |    |    |    |    |    |    |    |    |    |    |    |    |    |    |    |    |    |    |   |   |   |   |   |   |   |   |   |   |
|                  |   | NotGenerated | 0     | Event not generated   |    |    |    |    |    |    |    |    |    |    |    |    |    |    |    |    |    |    |   |   |   |   |   |   |   |   |   |   |
|                  |   | Generated    | 1     | Event generated       |    |    |    |    |    |    |    |    |    |    |    |    |    |    |    |    |    |    |   |   |   |   |   |   |   |   |   |   |

### 6.29.8.8 EVENTS\_TXDSENT

Address offset: 0x11C

TWI TXD byte sent

| Bit number       | 31  | 30           | 29    | 28                  | 27 | 26 | 25 | 24 | 23 | 22 | 21 | 20 | 19 | 18 | 17 | 16 | 15 | 14 | 13 | 12 | 11 | 10 | 9 | 8 | 7 | 6 | 5 | 4 | 3 | 2 | 1 | 0 |
|------------------|---|--------------|-------|---------------------|----|----|----|----|----|----|----|----|----|----|----|----|----|----|----|----|----|----|---|---|---|---|---|---|---|---|---|---|
| ID               |   |              |       |                     |    |    |    |    |    |    |    |    |    |    |    |    |    |    |    |    |    |    |   |   |   |   |   |   |   |   |   | A |
| Reset 0x00000000 | 0 |              |       |                     |    |    |    |    |    |    |    |    |    |    |    |    |    |    |    |    |    |    |   |   |   |   |   |   |   |   |   |   |
| ID               | Acce Field  | Value ID     | Value | Description         |    |    |    |    |    |    |    |    |    |    |    |    |    |    |    |    |    |    |   |   |   |   |   |   |   |   |   |   |
| A                | RW EVENTS_TXDSENT   |              |       | TWI TXD byte sent   |    |    |    |    |    |    |    |    |    |    |    |    |    |    |    |    |    |    |   |   |   |   |   |   |   |   |   |   |
|                  |   | NotGenerated | 0     | Event not generated |    |    |    |    |    |    |    |    |    |    |    |    |    |    |    |    |    |    |   |   |   |   |   |   |   |   |   |   |
|                  |   | Generated    | 1     | Event generated     |    |    |    |    |    |    |    |    |    |    |    |    |    |    |    |    |    |    |   |   |   |   |   |   |   |   |   |   |

### 6.29.8.9 EVENTS\_ERROR

Address offset: 0x124

TWI error

| Bit number       | 31  | 30           | 29    | 28                  | 27 | 26 | 25 | 24 | 23 | 22 | 21 | 20 | 19 | 18 | 17 | 16 | 15 | 14 | 13 | 12 | 11 | 10 | 9 | 8 | 7 | 6 | 5 | 4 | 3 | 2 | 1 | 0 |
|------------------|---|--------------|-------|---------------------|----|----|----|----|----|----|----|----|----|----|----|----|----|----|----|----|----|----|---|---|---|---|---|---|---|---|---|---|
| ID               |   |              |       |                     |    |    |    |    |    |    |    |    |    |    |    |    |    |    |    |    |    |    |   |   |   |   |   |   |   |   |   | A |
| Reset 0x00000000 | 0 |              |       |                     |    |    |    |    |    |    |    |    |    |    |    |    |    |    |    |    |    |    |   |   |   |   |   |   |   |   |   |   |
| ID               | Acce Field  | Value ID     | Value | Description         |    |    |    |    |    |    |    |    |    |    |    |    |    |    |    |    |    |    |   |   |   |   |   |   |   |   |   |   |
| A                | RW EVENTS_ERROR   |              |       | TWI error           |    |    |    |    |    |    |    |    |    |    |    |    |    |    |    |    |    |    |   |   |   |   |   |   |   |   |   |   |
|                  |   | NotGenerated | 0     | Event not generated |    |    |    |    |    |    |    |    |    |    |    |    |    |    |    |    |    |    |   |   |   |   |   |   |   |   |   |   |
|                  |   | Generated    | 1     | Event generated     |    |    |    |    |    |    |    |    |    |    |    |    |    |    |    |    |    |    |   |   |   |   |   |   |   |   |   |   |

### 6.29.8.10 EVENTS\_BB

Address offset: 0x138

TWI byte boundary, generated before each byte that is sent or received

| Bit number       | 31  | 30           | 29    | 28   | 27 | 26 | 25 | 24 | 23 | 22 | 21 | 20 | 19 | 18 | 17 | 16 | 15 | 14 | 13 | 12 | 11 | 10 | 9 | 8 | 7 | 6 | 5 | 4 | 3 | 2 | 1 | 0 |
|------------------|---|--------------|-------|--|----|----|----|----|----|----|----|----|----|----|----|----|----|----|----|----|----|----|---|---|---|---|---|---|---|---|---|---|
| ID               |   |              |       |  |    |    |    |    |    |    |    |    |    |    |    |    |    |    |    |    |    |    |   |   |   |   |   |   |   |   |   | A |
| Reset 0x00000000 | 0 |              |       |  |    |    |    |    |    |    |    |    |    |    |    |    |    |    |    |    |    |    |   |   |   |   |   |   |   |   |   |   |
| ID               | Acce Field  | Value ID     | Value | Description  |    |    |    |    |    |    |    |    |    |    |    |    |    |    |    |    |    |    |   |   |   |   |   |   |   |   |   |   |
| A                | RW EVENTS_BB  |              |       | TWI byte boundary, generated before each byte that is sent or received |    |    |    |    |    |    |    |    |    |    |    |    |    |    |    |    |    |    |   |   |   |   |   |   |   |   |   |   |
|                  |   | NotGenerated | 0     | Event not generated  |    |    |    |    |    |    |    |    |    |    |    |    |    |    |    |    |    |    |   |   |   |   |   |   |   |   |   |   |
|                  |   | Generated    | 1     | Event generated  |    |    |    |    |    |    |    |    |    |    |    |    |    |    |    |    |    |    |   |   |   |   |   |   |   |   |   |   |

### 6.29.8.11 EVENTS\_SUSPENDED

Address offset: 0x148

TWI entered the suspended state

Generated just after ACK bit has been transferred in a read transaction, and only if SUSPEND has been requested earlier.

| Bit number       | 31 30 29 28 27 26 25 24 23 22 21 20 19 18 17 16 15 14 13 12 11 10 9 8 7 6 5 4 3 2 1 0 |                  |       |  |  |  |  |  |  |  |  |  |  |  |  |  |  |  |  |  |  |  |  |  |  |  |  |  |  |  |  |
|------------------|---|------------------|-------|--|--|--|--|--|--|--|--|--|--|--|--|--|--|--|--|--|--|--|--|--|--|--|--|--|--|--|--|
| ID               | A   |                  |       |  |  |  |  |  |  |  |  |  |  |  |  |  |  |  |  |  |  |  |  |  |  |  |  |  |  |  |  |
| Reset 0x00000000 | 0               |                  |       |  |  |  |  |  |  |  |  |  |  |  |  |  |  |  |  |  |  |  |  |  |  |  |  |  |  |  |  |
| ID               | Acce Field  | Value ID         | Value | Description  |  |  |  |  |  |  |  |  |  |  |  |  |  |  |  |  |  |  |  |  |  |  |  |  |  |  |  |
| A                | RW  | EVENTS_SUSPENDED |       | TWI entered the suspended state  |  |  |  |  |  |  |  |  |  |  |  |  |  |  |  |  |  |  |  |  |  |  |  |  |  |  |  |
|                  |   |                  |       | Generated just after ACK bit has been transferred in a read transaction, and only if SUSPEND has been requested earlier. |  |  |  |  |  |  |  |  |  |  |  |  |  |  |  |  |  |  |  |  |  |  |  |  |  |  |  |
|                  |   | NotGenerated     | 0     | Event not generated  |  |  |  |  |  |  |  |  |  |  |  |  |  |  |  |  |  |  |  |  |  |  |  |  |  |  |  |
|                  |   | Generated        | 1     | Event generated  |  |  |  |  |  |  |  |  |  |  |  |  |  |  |  |  |  |  |  |  |  |  |  |  |  |  |  |

## 6.29.8.12 SHORTS

Address offset: 0x200

Shortcuts between local events and tasks

| Bit number       | 31 30 29 28 27 26 25 24 23 22 21 20 19 18 17 16 15 14 13 12 11 10 9 8 7 6 5 4 3 2 1 0 |            |       |  |  |  |  |  |  |  |  |  |  |  |  |  |  |  |  |  |  |  |  |  |  |  |  |  |  |  |  |
|------------------|---|------------|-------|--|--|--|--|--|--|--|--|--|--|--|--|--|--|--|--|--|--|--|--|--|--|--|--|--|--|--|--|
| ID               | B A   |            |       |  |  |  |  |  |  |  |  |  |  |  |  |  |  |  |  |  |  |  |  |  |  |  |  |  |  |  |  |
| Reset 0x00000000 | 0               |            |       |  |  |  |  |  |  |  |  |  |  |  |  |  |  |  |  |  |  |  |  |  |  |  |  |  |  |  |  |
| ID               | Acce Field  | Value ID   | Value | Description  |  |  |  |  |  |  |  |  |  |  |  |  |  |  |  |  |  |  |  |  |  |  |  |  |  |  |  |
| A                | RW  | BB_SUSPEND |       | Shortcut between event <b>BB</b> and task <b>SUSPEND</b> |  |  |  |  |  |  |  |  |  |  |  |  |  |  |  |  |  |  |  |  |  |  |  |  |  |  |  |
|                  |   | Disabled   | 0     | Disable shortcut   |  |  |  |  |  |  |  |  |  |  |  |  |  |  |  |  |  |  |  |  |  |  |  |  |  |  |  |
|                  |   | Enabled    | 1     | Enable shortcut  |  |  |  |  |  |  |  |  |  |  |  |  |  |  |  |  |  |  |  |  |  |  |  |  |  |  |  |
| B                | RW  | BB_STOP    |       | Shortcut between event <b>BB</b> and task <b>STOP</b>    |  |  |  |  |  |  |  |  |  |  |  |  |  |  |  |  |  |  |  |  |  |  |  |  |  |  |  |
|                  |   | Disabled   | 0     | Disable shortcut   |  |  |  |  |  |  |  |  |  |  |  |  |  |  |  |  |  |  |  |  |  |  |  |  |  |  |  |
|                  |   | Enabled    | 1     | Enable shortcut  |  |  |  |  |  |  |  |  |  |  |  |  |  |  |  |  |  |  |  |  |  |  |  |  |  |  |  |

## 6.29.8.13 INTENSET

Address offset: 0x304

Enable interrupt

| Bit number       | 31 30 29 28 27 26 25 24 23 22 21 20 19 18 17 16 15 14 13 12 11 10 9 8 7 6 5 4 3 2 1 0 |          |       |   |  |  |  |  |  |  |  |  |  |  |  |  |  |  |  |  |  |  |  |  |  |  |  |  |  |  |  |
|------------------|---|----------|-------|---|--|--|--|--|--|--|--|--|--|--|--|--|--|--|--|--|--|--|--|--|--|--|--|--|--|--|--|
| ID               | F E D C B A   |          |       |   |  |  |  |  |  |  |  |  |  |  |  |  |  |  |  |  |  |  |  |  |  |  |  |  |  |  |  |
| Reset 0x00000000 | 0               |          |       |   |  |  |  |  |  |  |  |  |  |  |  |  |  |  |  |  |  |  |  |  |  |  |  |  |  |  |  |
| ID               | Acce Field  | Value ID | Value | Description   |  |  |  |  |  |  |  |  |  |  |  |  |  |  |  |  |  |  |  |  |  |  |  |  |  |  |  |
| A                | RW  | STOPPED  |       | Write '1' to enable interrupt for event <b>STOPPED</b>  |  |  |  |  |  |  |  |  |  |  |  |  |  |  |  |  |  |  |  |  |  |  |  |  |  |  |  |
|                  |   | Set      | 1     | Enable  |  |  |  |  |  |  |  |  |  |  |  |  |  |  |  |  |  |  |  |  |  |  |  |  |  |  |  |
|                  |   | Disabled | 0     | Read: Disabled  |  |  |  |  |  |  |  |  |  |  |  |  |  |  |  |  |  |  |  |  |  |  |  |  |  |  |  |
|                  |   | Enabled  | 1     | Read: Enabled   |  |  |  |  |  |  |  |  |  |  |  |  |  |  |  |  |  |  |  |  |  |  |  |  |  |  |  |
| B                | RW  | RXDREADY |       | Write '1' to enable interrupt for event <b>RXDREADY</b> |  |  |  |  |  |  |  |  |  |  |  |  |  |  |  |  |  |  |  |  |  |  |  |  |  |  |  |
|                  |   | Set      | 1     | Enable  |  |  |  |  |  |  |  |  |  |  |  |  |  |  |  |  |  |  |  |  |  |  |  |  |  |  |  |
|                  |   | Disabled | 0     | Read: Disabled  |  |  |  |  |  |  |  |  |  |  |  |  |  |  |  |  |  |  |  |  |  |  |  |  |  |  |  |
|                  |   | Enabled  | 1     | Read: Enabled   |  |  |  |  |  |  |  |  |  |  |  |  |  |  |  |  |  |  |  |  |  |  |  |  |  |  |  |
| C                | RW  | TXDSENT  |       | Write '1' to enable interrupt for event <b>TXDSENT</b>  |  |  |  |  |  |  |  |  |  |  |  |  |  |  |  |  |  |  |  |  |  |  |  |  |  |  |  |
|                  |   | Set      | 1     | Enable  |  |  |  |  |  |  |  |  |  |  |  |  |  |  |  |  |  |  |  |  |  |  |  |  |  |  |  |
|                  |   | Disabled | 0     | Read: Disabled  |  |  |  |  |  |  |  |  |  |  |  |  |  |  |  |  |  |  |  |  |  |  |  |  |  |  |  |
|                  |   | Enabled  | 1     | Read: Enabled   |  |  |  |  |  |  |  |  |  |  |  |  |  |  |  |  |  |  |  |  |  |  |  |  |  |  |  |
| D                | RW  | ERROR    |       | Write '1' to enable interrupt for event <b>ERROR</b>    |  |  |  |  |  |  |  |  |  |  |  |  |  |  |  |  |  |  |  |  |  |  |  |  |  |  |  |

| Bit number       |              | 31 30 29 28 27 26 25 24 23 22 21 20 19 18 17 16 15 14 13 12 11 10 9 8 7 6 5 4 3 2 1 0 |       |  |  |  |  |  |  |  |  |   |  |   |  |   |  |   |  |   |  |   |  |  |  |  |  |  |  |  |  |  |
|------------------|--------------|---|-------|--|--|--|--|--|--|--|--|---|--|---|--|---|--|---|--|---|--|---|--|--|--|--|--|--|--|--|--|--|
| ID               |              |   |       |  |  |  |  |  |  |  |  | F |  | E |  | D |  | C |  | B |  | A |  |  |  |  |  |  |  |  |  |  |
| Reset 0x00000000 |              | 0           |       |  |  |  |  |  |  |  |  |   |  |   |  |   |  |   |  |   |  |   |  |  |  |  |  |  |  |  |  |  |
| ID               | Acce Field   | Value ID  | Value | Description  |  |  |  |  |  |  |  |   |  |   |  |   |  |   |  |   |  |   |  |  |  |  |  |  |  |  |  |  |
|                  |              | Set   | 1     | Enable   |  |  |  |  |  |  |  |   |  |   |  |   |  |   |  |   |  |   |  |  |  |  |  |  |  |  |  |  |
|                  |              | Disabled  | 0     | Read: Disabled   |  |  |  |  |  |  |  |   |  |   |  |   |  |   |  |   |  |   |  |  |  |  |  |  |  |  |  |  |
|                  |              | Enabled   | 1     | Read: Enabled  |  |  |  |  |  |  |  |   |  |   |  |   |  |   |  |   |  |   |  |  |  |  |  |  |  |  |  |  |
| E                | RW BB        |   |       | Write '1' to enable interrupt for event <b>BB</b>  |  |  |  |  |  |  |  |   |  |   |  |   |  |   |  |   |  |   |  |  |  |  |  |  |  |  |  |  |
|                  |              | Set   | 1     | Enable   |  |  |  |  |  |  |  |   |  |   |  |   |  |   |  |   |  |   |  |  |  |  |  |  |  |  |  |  |
|                  |              | Disabled  | 0     | Read: Disabled   |  |  |  |  |  |  |  |   |  |   |  |   |  |   |  |   |  |   |  |  |  |  |  |  |  |  |  |  |
|                  |              | Enabled   | 1     | Read: Enabled  |  |  |  |  |  |  |  |   |  |   |  |   |  |   |  |   |  |   |  |  |  |  |  |  |  |  |  |  |
| F                | RW SUSPENDED |   |       | Write '1' to enable interrupt for event <b>SUSPENDED</b>   |  |  |  |  |  |  |  |   |  |   |  |   |  |   |  |   |  |   |  |  |  |  |  |  |  |  |  |  |
|                  |              |   |       | Generated just after ACK bit has been transferred in a read transaction, and only if SUSPEND has been requested earlier. |  |  |  |  |  |  |  |   |  |   |  |   |  |   |  |   |  |   |  |  |  |  |  |  |  |  |  |  |
|                  |              | Set   | 1     | Enable   |  |  |  |  |  |  |  |   |  |   |  |   |  |   |  |   |  |   |  |  |  |  |  |  |  |  |  |  |
|                  |              | Disabled  | 0     | Read: Disabled   |  |  |  |  |  |  |  |   |  |   |  |   |  |   |  |   |  |   |  |  |  |  |  |  |  |  |  |  |
|                  |              | Enabled   | 1     | Read: Enabled  |  |  |  |  |  |  |  |   |  |   |  |   |  |   |  |   |  |   |  |  |  |  |  |  |  |  |  |  |

### 6.29.8.14 INTENCLR

Address offset: 0x308

Disable interrupt

| Bit number       |              | 31 30 29 28 27 26 25 24 23 22 21 20 19 18 17 16 15 14 13 12 11 10 9 8 7 6 5 4 3 2 1 0 |       |  |  |  |  |  |  |  |  |   |  |   |  |   |  |   |  |   |  |   |  |  |  |  |  |  |  |  |  |  |
|------------------|--------------|---|-------|--|--|--|--|--|--|--|--|---|--|---|--|---|--|---|--|---|--|---|--|--|--|--|--|--|--|--|--|--|
| ID               |              |   |       |  |  |  |  |  |  |  |  | F |  | E |  | D |  | C |  | B |  | A |  |  |  |  |  |  |  |  |  |  |
| Reset 0x00000000 |              | 0           |       |  |  |  |  |  |  |  |  |   |  |   |  |   |  |   |  |   |  |   |  |  |  |  |  |  |  |  |  |  |
| ID               | Acce Field   | Value ID  | Value | Description  |  |  |  |  |  |  |  |   |  |   |  |   |  |   |  |   |  |   |  |  |  |  |  |  |  |  |  |  |
| A                | RW STOPPED   |   |       | Write '1' to disable interrupt for event <b>STOPPED</b>  |  |  |  |  |  |  |  |   |  |   |  |   |  |   |  |   |  |   |  |  |  |  |  |  |  |  |  |  |
|                  |              | Clear   | 1     | Disable  |  |  |  |  |  |  |  |   |  |   |  |   |  |   |  |   |  |   |  |  |  |  |  |  |  |  |  |  |
|                  |              | Disabled  | 0     | Read: Disabled   |  |  |  |  |  |  |  |   |  |   |  |   |  |   |  |   |  |   |  |  |  |  |  |  |  |  |  |  |
|                  |              | Enabled   | 1     | Read: Enabled  |  |  |  |  |  |  |  |   |  |   |  |   |  |   |  |   |  |   |  |  |  |  |  |  |  |  |  |  |
| B                | RW RXDREADY  |   |       | Write '1' to disable interrupt for event <b>RXDREADY</b>   |  |  |  |  |  |  |  |   |  |   |  |   |  |   |  |   |  |   |  |  |  |  |  |  |  |  |  |  |
|                  |              | Clear   | 1     | Disable  |  |  |  |  |  |  |  |   |  |   |  |   |  |   |  |   |  |   |  |  |  |  |  |  |  |  |  |  |
|                  |              | Disabled  | 0     | Read: Disabled   |  |  |  |  |  |  |  |   |  |   |  |   |  |   |  |   |  |   |  |  |  |  |  |  |  |  |  |  |
|                  |              | Enabled   | 1     | Read: Enabled  |  |  |  |  |  |  |  |   |  |   |  |   |  |   |  |   |  |   |  |  |  |  |  |  |  |  |  |  |
| C                | RW TXDSENT   |   |       | Write '1' to disable interrupt for event <b>TXDSENT</b>  |  |  |  |  |  |  |  |   |  |   |  |   |  |   |  |   |  |   |  |  |  |  |  |  |  |  |  |  |
|                  |              | Clear   | 1     | Disable  |  |  |  |  |  |  |  |   |  |   |  |   |  |   |  |   |  |   |  |  |  |  |  |  |  |  |  |  |
|                  |              | Disabled  | 0     | Read: Disabled   |  |  |  |  |  |  |  |   |  |   |  |   |  |   |  |   |  |   |  |  |  |  |  |  |  |  |  |  |
|                  |              | Enabled   | 1     | Read: Enabled  |  |  |  |  |  |  |  |   |  |   |  |   |  |   |  |   |  |   |  |  |  |  |  |  |  |  |  |  |
| D                | RW ERROR     |   |       | Write '1' to disable interrupt for event <b>ERROR</b>  |  |  |  |  |  |  |  |   |  |   |  |   |  |   |  |   |  |   |  |  |  |  |  |  |  |  |  |  |
|                  |              | Clear   | 1     | Disable  |  |  |  |  |  |  |  |   |  |   |  |   |  |   |  |   |  |   |  |  |  |  |  |  |  |  |  |  |
|                  |              | Disabled  | 0     | Read: Disabled   |  |  |  |  |  |  |  |   |  |   |  |   |  |   |  |   |  |   |  |  |  |  |  |  |  |  |  |  |
|                  |              | Enabled   | 1     | Read: Enabled  |  |  |  |  |  |  |  |   |  |   |  |   |  |   |  |   |  |   |  |  |  |  |  |  |  |  |  |  |
| E                | RW BB        |   |       | Write '1' to disable interrupt for event <b>BB</b>   |  |  |  |  |  |  |  |   |  |   |  |   |  |   |  |   |  |   |  |  |  |  |  |  |  |  |  |  |
|                  |              | Clear   | 1     | Disable  |  |  |  |  |  |  |  |   |  |   |  |   |  |   |  |   |  |   |  |  |  |  |  |  |  |  |  |  |
|                  |              | Disabled  | 0     | Read: Disabled   |  |  |  |  |  |  |  |   |  |   |  |   |  |   |  |   |  |   |  |  |  |  |  |  |  |  |  |  |
|                  |              | Enabled   | 1     | Read: Enabled  |  |  |  |  |  |  |  |   |  |   |  |   |  |   |  |   |  |   |  |  |  |  |  |  |  |  |  |  |
| F                | RW SUSPENDED |   |       | Write '1' to disable interrupt for event <b>SUSPENDED</b>  |  |  |  |  |  |  |  |   |  |   |  |   |  |   |  |   |  |   |  |  |  |  |  |  |  |  |  |  |
|                  |              |   |       | Generated just after ACK bit has been transferred in a read transaction, and only if SUSPEND has been requested earlier. |  |  |  |  |  |  |  |   |  |   |  |   |  |   |  |   |  |   |  |  |  |  |  |  |  |  |  |  |
|                  |              | Clear   | 1     | Disable  |  |  |  |  |  |  |  |   |  |   |  |   |  |   |  |   |  |   |  |  |  |  |  |  |  |  |  |  |

| Bit number              | 31  | 30       | 29    | 28             | 27 | 26 | 25 | 24 | 23 | 22 | 21 | 20 | 19 | 18 | 17 | 16 | 15 | 14 | 13 | 12 | 11 | 10 | 9 | 8 | 7 | 6 | 5 | 4 | 3 | 2 | 1 | 0 |
|-------------------------|---|----------|-------|----------------|----|----|----|----|----|----|----|----|----|----|----|----|----|----|----|----|----|----|---|---|---|---|---|---|---|---|---|---|
| ID                      |   |          |       |                |    |    |    |    |    |    |    |    |    |    |    | F  | E  | D  | C  | B  |    |    | A |   |   |   |   |   |   |   |   |   |
| <b>Reset 0x00000000</b> | 0 |          |       |                |    |    |    |    |    |    |    |    |    |    |    |    |    |    |    |    |    |    |   |   |   |   |   |   |   |   |   |   |
| ID                      | Acce Field  | Value ID | Value | Description    |    |    |    |    |    |    |    |    |    |    |    |    |    |    |    |    |    |    |   |   |   |   |   |   |   |   |   |   |
|                         |   | Disabled | 0     | Read: Disabled |    |    |    |    |    |    |    |    |    |    |    |    |    |    |    |    |    |    |   |   |   |   |   |   |   |   |   |   |
|                         |   | Enabled  | 1     | Read: Enabled  |    |    |    |    |    |    |    |    |    |    |    |    |    |    |    |    |    |    |   |   |   |   |   |   |   |   |   |   |

### 6.29.8.15 ERRORSRC

Address offset: 0x4C4

Error source

| Bit number              | 31  | 30       | 29                     | 28   | 27                        | 26 | 25 | 24 | 23 | 22 | 21 | 20 | 19 | 18 | 17 | 16 | 15 | 14 | 13 | 12 | 11 | 10 | 9 | 8 | 7 | 6 | 5 | 4 | 3 | 2 | 1 | 0 |  |  |
|-------------------------|---|----------|------------------------|--|---------------------------|----|----|----|----|----|----|----|----|----|----|----|----|----|----|----|----|----|---|---|---|---|---|---|---|---|---|---|--|--|
| ID                      |   |          |                        |  |                           |    |    |    |    |    |    |    |    |    |    |    |    |    |    |    |    |    |   |   |   |   |   |   | C | B | A |   |  |  |
| <b>Reset 0x00000000</b> | 0 |          |                        |  |                           |    |    |    |    |    |    |    |    |    |    |    |    |    |    |    |    |    |   |   |   |   |   |   |   |   |   |   |  |  |
| ID                      | Acce Field  | Value ID | Value                  | Description  |                           |    |    |    |    |    |    |    |    |    |    |    |    |    |    |    |    |    |   |   |   |   |   |   |   |   |   |   |  |  |
| A                       | RW  | OVERRUN  |                        | Overrun error  |                           |    |    |    |    |    |    |    |    |    |    |    |    |    |    |    |    |    |   |   |   |   |   |   |   |   |   |   |  |  |
|                         |   |          |                        | A new byte was received before previous byte got read by software from the RXD register. (Previous data is lost) |                           |    |    |    |    |    |    |    |    |    |    |    |    |    |    |    |    |    |   |   |   |   |   |   |   |   |   |   |  |  |
|                         |   |          | NotPresent             | 0  | Read: no overrun occurred |    |    |    |    |    |    |    |    |    |    |    |    |    |    |    |    |    |   |   |   |   |   |   |   |   |   |   |  |  |
|                         | Present   | 1        | Read: overrun occurred |  |                           |    |    |    |    |    |    |    |    |    |    |    |    |    |    |    |    |    |   |   |   |   |   |   |   |   |   |   |  |  |
| B                       | RW  | ANACK    |                        | NACK received after sending the address (write '1' to clear)   |                           |    |    |    |    |    |    |    |    |    |    |    |    |    |    |    |    |    |   |   |   |   |   |   |   |   |   |   |  |  |
|                         |   |          | NotPresent             | 0  | Read: error not present   |    |    |    |    |    |    |    |    |    |    |    |    |    |    |    |    |    |   |   |   |   |   |   |   |   |   |   |  |  |
|                         |   |          | Present                | 1  | Read: error present       |    |    |    |    |    |    |    |    |    |    |    |    |    |    |    |    |    |   |   |   |   |   |   |   |   |   |   |  |  |
| C                       | RW  | DNACK    |                        | NACK received after sending a data byte (write '1' to clear)   |                           |    |    |    |    |    |    |    |    |    |    |    |    |    |    |    |    |    |   |   |   |   |   |   |   |   |   |   |  |  |
|                         |   |          | NotPresent             | 0  | Read: error not present   |    |    |    |    |    |    |    |    |    |    |    |    |    |    |    |    |    |   |   |   |   |   |   |   |   |   |   |  |  |
|                         |   |          | Present                | 1  | Read: error present       |    |    |    |    |    |    |    |    |    |    |    |    |    |    |    |    |    |   |   |   |   |   |   |   |   |   |   |  |  |

### 6.29.8.16 ENABLE

Address offset: 0x500

Enable TWI

| Bit number              | 31  | 30       | 29       | 28                    | 27          | 26 | 25 | 24 | 23 | 22 | 21 | 20 | 19 | 18 | 17 | 16 | 15 | 14 | 13 | 12 | 11 | 10 | 9 | 8 | 7 | 6 | 5 | 4 | 3 | 2 | 1 | 0 |  |  |  |
|-------------------------|---|----------|----------|-----------------------|-------------|----|----|----|----|----|----|----|----|----|----|----|----|----|----|----|----|----|---|---|---|---|---|---|---|---|---|---|--|--|--|
| ID                      |   |          |          |                       |             |    |    |    |    |    |    |    |    |    |    |    |    |    |    |    |    |    |   |   |   |   |   |   | A | A | A | A |  |  |  |
| <b>Reset 0x00000000</b> | 0 |          |          |                       |             |    |    |    |    |    |    |    |    |    |    |    |    |    |    |    |    |    |   |   |   |   |   |   |   |   |   |   |  |  |  |
| ID                      | Acce Field  | Value ID | Value    | Description           |             |    |    |    |    |    |    |    |    |    |    |    |    |    |    |    |    |    |   |   |   |   |   |   |   |   |   |   |  |  |  |
| A                       | RW  | ENABLE   |          | Enable or disable TWI |             |    |    |    |    |    |    |    |    |    |    |    |    |    |    |    |    |    |   |   |   |   |   |   |   |   |   |   |  |  |  |
|                         |   |          | Disabled | 0                     | Disable TWI |    |    |    |    |    |    |    |    |    |    |    |    |    |    |    |    |    |   |   |   |   |   |   |   |   |   |   |  |  |  |
|                         |   |          | Enabled  | 5                     | Enable TWI  |    |    |    |    |    |    |    |    |    |    |    |    |    |    |    |    |    |   |   |   |   |   |   |   |   |   |   |  |  |  |

### 6.29.8.17 PSEL.SCL

Address offset: 0x508

Pin select for SCL

| Bit number       | 31         | 30           | 29      | 28          | 27 | 26 | 25 | 24 | 23 | 22 | 21 | 20 | 19 | 18 | 17 | 16 | 15 | 14 | 13 | 12 | 11 | 10 | 9 | 8 | 7 | 6 | 5 | 4 | 3 | 2 | 1 | 0 |
|------------------|------------|--------------|---------|-------------|----|----|----|----|----|----|----|----|----|----|----|----|----|----|----|----|----|----|---|---|---|---|---|---|---|---|---|---|
| ID               | C          |              |         |             |    |    |    |    |    |    |    |    |    |    |    |    |    |    |    |    |    |    |   |   |   |   | B | A | A | A | A |   |
| Reset 0xFFFFFFFF | 1          | 1            | 1       | 1           | 1  | 1  | 1  | 1  | 1  | 1  | 1  | 1  | 1  | 1  | 1  | 1  | 1  | 1  | 1  | 1  | 1  | 1  | 1 | 1 | 1 | 1 | 1 | 1 | 1 | 1 | 1 | 1 |
| ID               | Acce Field | Value ID     | Value   | Description |    |    |    |    |    |    |    |    |    |    |    |    |    |    |    |    |    |    |   |   |   |   |   |   |   |   |   |   |
| A                | RW PIN     |              | [0..31] | Pin number  |    |    |    |    |    |    |    |    |    |    |    |    |    |    |    |    |    |    |   |   |   |   |   |   |   |   |   |   |
| B                | RW PORT    |              | [0..1]  | Port number |    |    |    |    |    |    |    |    |    |    |    |    |    |    |    |    |    |    |   |   |   |   |   |   |   |   |   |   |
| C                | RW CONNECT |              |         | Connection  |    |    |    |    |    |    |    |    |    |    |    |    |    |    |    |    |    |    |   |   |   |   |   |   |   |   |   |   |
|                  |            | Disconnected | 1       | Disconnect  |    |    |    |    |    |    |    |    |    |    |    |    |    |    |    |    |    |    |   |   |   |   |   |   |   |   |   |   |
|                  |            | Connected    | 0       | Connect     |    |    |    |    |    |    |    |    |    |    |    |    |    |    |    |    |    |    |   |   |   |   |   |   |   |   |   |   |

### 6.29.8.18 PSEL.SDA

Address offset: 0x50C

Pin select for SDA

| Bit number       | 31         | 30           | 29      | 28          | 27 | 26 | 25 | 24 | 23 | 22 | 21 | 20 | 19 | 18 | 17 | 16 | 15 | 14 | 13 | 12 | 11 | 10 | 9 | 8 | 7 | 6 | 5 | 4 | 3 | 2 | 1 | 0 |
|------------------|------------|--------------|---------|-------------|----|----|----|----|----|----|----|----|----|----|----|----|----|----|----|----|----|----|---|---|---|---|---|---|---|---|---|---|
| ID               | C          |              |         |             |    |    |    |    |    |    |    |    |    |    |    |    |    |    |    |    |    |    |   |   |   |   | B | A | A | A | A |   |
| Reset 0xFFFFFFFF | 1          | 1            | 1       | 1           | 1  | 1  | 1  | 1  | 1  | 1  | 1  | 1  | 1  | 1  | 1  | 1  | 1  | 1  | 1  | 1  | 1  | 1  | 1 | 1 | 1 | 1 | 1 | 1 | 1 | 1 | 1 |   |
| ID               | Acce Field | Value ID     | Value   | Description |    |    |    |    |    |    |    |    |    |    |    |    |    |    |    |    |    |    |   |   |   |   |   |   |   |   |   |   |
| A                | RW PIN     |              | [0..31] | Pin number  |    |    |    |    |    |    |    |    |    |    |    |    |    |    |    |    |    |    |   |   |   |   |   |   |   |   |   |   |
| B                | RW PORT    |              | [0..1]  | Port number |    |    |    |    |    |    |    |    |    |    |    |    |    |    |    |    |    |    |   |   |   |   |   |   |   |   |   |   |
| C                | RW CONNECT |              |         | Connection  |    |    |    |    |    |    |    |    |    |    |    |    |    |    |    |    |    |    |   |   |   |   |   |   |   |   |   |   |
|                  |            | Disconnected | 1       | Disconnect  |    |    |    |    |    |    |    |    |    |    |    |    |    |    |    |    |    |    |   |   |   |   |   |   |   |   |   |   |
|                  |            | Connected    | 0       | Connect     |    |    |    |    |    |    |    |    |    |    |    |    |    |    |    |    |    |    |   |   |   |   |   |   |   |   |   |   |

### 6.29.8.19 RXD

Address offset: 0x518

RXD register

| Bit number       | 31         | 30       | 29    | 28           | 27 | 26 | 25 | 24 | 23 | 22 | 21 | 20 | 19 | 18 | 17 | 16 | 15 | 14 | 13 | 12 | 11 | 10 | 9 | 8 | 7 | 6 | 5 | 4 | 3 | 2 | 1 | 0 |   |
|------------------|------------|----------|-------|--------------|----|----|----|----|----|----|----|----|----|----|----|----|----|----|----|----|----|----|---|---|---|---|---|---|---|---|---|---|---|
| ID               |            |          |       |              |    |    |    |    |    |    |    |    |    |    |    |    |    |    |    |    |    |    |   |   |   |   | A | A | A | A | A | A | A |
| Reset 0x00000000 | 0          | 0        | 0     | 0            | 0  | 0  | 0  | 0  | 0  | 0  | 0  | 0  | 0  | 0  | 0  | 0  | 0  | 0  | 0  | 0  | 0  | 0  | 0 | 0 | 0 | 0 | 0 | 0 | 0 | 0 | 0 |   |   |
| ID               | Acce Field | Value ID | Value | Description  |    |    |    |    |    |    |    |    |    |    |    |    |    |    |    |    |    |    |   |   |   |   |   |   |   |   |   |   |   |
| A                | R          | RXD      |       | RXD register |    |    |    |    |    |    |    |    |    |    |    |    |    |    |    |    |    |    |   |   |   |   |   |   |   |   |   |   |   |

### 6.29.8.20 TXD

Address offset: 0x51C

TXD register

| Bit number       | 31         | 30       | 29    | 28           | 27 | 26 | 25 | 24 | 23 | 22 | 21 | 20 | 19 | 18 | 17 | 16 | 15 | 14 | 13 | 12 | 11 | 10 | 9 | 8 | 7 | 6 | 5 | 4 | 3 | 2 | 1 | 0 |   |
|------------------|------------|----------|-------|--------------|----|----|----|----|----|----|----|----|----|----|----|----|----|----|----|----|----|----|---|---|---|---|---|---|---|---|---|---|---|
| ID               |            |          |       |              |    |    |    |    |    |    |    |    |    |    |    |    |    |    |    |    |    |    |   |   |   |   | A | A | A | A | A | A | A |
| Reset 0x00000000 | 0          | 0        | 0     | 0            | 0  | 0  | 0  | 0  | 0  | 0  | 0  | 0  | 0  | 0  | 0  | 0  | 0  | 0  | 0  | 0  | 0  | 0  | 0 | 0 | 0 | 0 | 0 | 0 | 0 | 0 | 0 |   |   |
| ID               | Acce Field | Value ID | Value | Description  |    |    |    |    |    |    |    |    |    |    |    |    |    |    |    |    |    |    |   |   |   |   |   |   |   |   |   |   |   |
| A                | RW         | TXD      |       | TXD register |    |    |    |    |    |    |    |    |    |    |    |    |    |    |    |    |    |    |   |   |   |   |   |   |   |   |   |   |   |

### 6.29.8.21 FREQUENCY

Address offset: 0x524

TWI frequency. Accuracy depends on the HFCLK source selected.



| Bit number       | 31           | 30       | 29         | 28                                  | 27 | 26 | 25 | 24 | 23 | 22 | 21 | 20 | 19 | 18 | 17 | 16 | 15 | 14 | 13 | 12 | 11 | 10 | 9 | 8 | 7 | 6 | 5 | 4 | 3 | 2 | 1 | 0 |
|------------------|--------------|----------|------------|-------------------------------------|----|----|----|----|----|----|----|----|----|----|----|----|----|----|----|----|----|----|---|---|---|---|---|---|---|---|---|---|
| ID               | A            | A        | A          | A                                   | A  | A  | A  | A  | A  | A  | A  | A  | A  | A  | A  | A  | A  | A  | A  | A  | A  | A  | A | A | A | A | A | A | A | A | A | A |
| Reset 0x04000000 | 0            | 0        | 0          | 0                                   | 0  | 1  | 0  | 0  | 0  | 0  | 0  | 0  | 0  | 0  | 0  | 0  | 0  | 0  | 0  | 0  | 0  | 0  | 0 | 0 | 0 | 0 | 0 | 0 | 0 | 0 | 0 | 0 |
| ID               | Acce Field   | Value ID | Value      | Description                         |    |    |    |    |    |    |    |    |    |    |    |    |    |    |    |    |    |    |   |   |   |   |   |   |   |   |   |   |
| A                | RW FREQUENCY |          |            | TWI master clock frequency          |    |    |    |    |    |    |    |    |    |    |    |    |    |    |    |    |    |    |   |   |   |   |   |   |   |   |   |   |
|                  |              | K100     | 0x01980000 | 100 kbps                            |    |    |    |    |    |    |    |    |    |    |    |    |    |    |    |    |    |    |   |   |   |   |   |   |   |   |   |   |
|                  |              | K250     | 0x04000000 | 250 kbps                            |    |    |    |    |    |    |    |    |    |    |    |    |    |    |    |    |    |    |   |   |   |   |   |   |   |   |   |   |
|                  |              | K400     | 0x06680000 | 400 kbps (actual rate 410.256 kbps) |    |    |    |    |    |    |    |    |    |    |    |    |    |    |    |    |    |    |   |   |   |   |   |   |   |   |   |   |

## 6.29.8.22 ADDRESS

Address offset: 0x588

Address used in the TWI transfer

| Bit number       | 31         | 30       | 29    | 28                               | 27 | 26 | 25 | 24 | 23 | 22 | 21 | 20 | 19 | 18 | 17 | 16 | 15 | 14 | 13 | 12 | 11 | 10 | 9 | 8 | 7 | 6 | 5 | 4 | 3 | 2 | 1 | 0 |
|------------------|------------|----------|-------|----------------------------------|----|----|----|----|----|----|----|----|----|----|----|----|----|----|----|----|----|----|---|---|---|---|---|---|---|---|---|---|
| ID               |            |          |       |                                  |    |    |    |    |    |    |    |    |    |    |    |    |    |    |    |    |    |    |   |   |   | A | A | A | A | A | A | A |
| Reset 0x00000000 | 0          | 0        | 0     | 0                                | 0  | 0  | 0  | 0  | 0  | 0  | 0  | 0  | 0  | 0  | 0  | 0  | 0  | 0  | 0  | 0  | 0  | 0  | 0 | 0 | 0 | 0 | 0 | 0 | 0 | 0 | 0 | 0 |
| ID               | Acce Field | Value ID | Value | Description                      |    |    |    |    |    |    |    |    |    |    |    |    |    |    |    |    |    |    |   |   |   |   |   |   |   |   |   |   |
| A                | RW ADDRESS |          |       | Address used in the TWI transfer |    |    |    |    |    |    |    |    |    |    |    |    |    |    |    |    |    |    |   |   |   |   |   |   |   |   |   |   |

## 6.29.9 Electrical specification

### 6.29.9.1 TWI interface electrical specifications

| Symbol                 | Description  | Min. | Typ. | Max. | Units |
|------------------------|--|------|------|------|-------|
| f <sub>TWI,SCL</sub>   | Bit rates for TWI <sup>38</sup>                        | 100  |      | 400  | kbps  |
| t <sub>TWI,START</sub> | Time from STARTRX/STARTTX task to transmission started |      | 1.5  |      | µs    |

### 6.29.9.2 Two Wire Interface (TWI) timing specifications

| Symbol                          | Description   | Min.  | Typ. | Max. | Units |
|---------------------------------|---|-------|------|------|-------|
| t <sub>TWI,SU_DAT</sub>         | Data setup time before positive edge on SCL – all modes               | 300   |      |      | ns    |
| t <sub>TWI,HD_DAT</sub>         | Data hold time after negative edge on SCL – all modes                 | 500   |      |      | ns    |
| t <sub>TWI,HD_STA,100kbps</sub> | TWI master hold time for START and repeated START condition, 100 kbps | 10000 |      |      | ns    |
| t <sub>TWI,HD_STA,250kbps</sub> | TWI master hold time for START and repeated START condition, 250kbps  | 4000  |      |      | ns    |
| t <sub>TWI,HD_STA,400kbps</sub> | TWI master hold time for START and repeated START condition, 400 kbps | 2500  |      |      | ns    |
| t <sub>TWI,SU_STO,100kbps</sub> | TWI master setup time from SCL high to STOP condition, 100 kbps       | 5000  |      |      | ns    |
| t <sub>TWI,SU_STO,250kbps</sub> | TWI master setup time from SCL high to STOP condition, 250 kbps       | 2000  |      |      | ns    |
| t <sub>TWI,SU_STO,400kbps</sub> | TWI master setup time from SCL high to STOP condition, 400 kbps       | 1250  |      |      | ns    |
| t <sub>TWI,BUF,100kbps</sub>    | TWI master bus free time between STOP and START conditions, 100 kbps  | 5800  |      |      | ns    |

<sup>38</sup> High bit rates or stronger pull-ups may require GPIOs to be set as High Drive, see GPIO chapter for more details.

| Symbol                | Description  | Min. | Typ. | Max. | Units |
|-----------------------|--|------|------|------|-------|
| $t_{TWI,BUF,250kbps}$ | TWI master bus free time between STOP and START conditions, 250 kbps | 2700 |      |      | ns    |
| $t_{TWI,BUF,400kbps}$ | TWI master bus free time between STOP and START conditions, 400 kbps | 2100 |      |      | ns    |

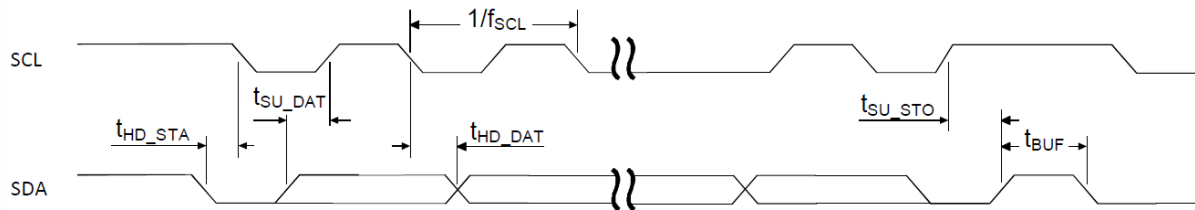


Figure 171: TWI timing diagram, 1 byte transaction

## 6.30 TIMER — Timer/counter

This peripheral is a general purpose timer designed to keep track of time in user-selective time intervals, it can operate in two modes: timer and counter.

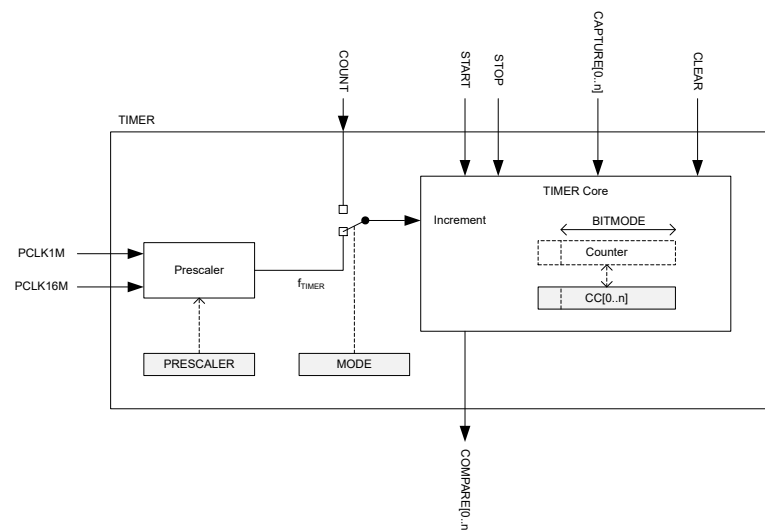


Figure 172: Block schematic for timer/counter

The timer/counter runs on the high-frequency clock source (HFCLK) and includes a four-bit (1/2X) prescaler that can divide the timer input clock from the HFCLK controller. Clock source selection between PCLK16M and PCLK1M is automatic according to TIMER base frequency set by the prescaler. The TIMER base frequency is always given as 16 MHz divided by the prescaler value.

The PPI system allows a TIMER event to trigger a task of any other system peripheral of the device. The PPI system also enables the TIMER task/event features to generate periodic output and PWM signals to any GPIO. The number of input/outputs used at the same time is limited by the number of GPIOTE channels.

TIMER can operate in two modes: Timer mode and Counter mode. In both modes, TIMER is started by triggering the START task, and stopped by triggering the STOP task. After the timer is stopped the timer can resume timing/counting by triggering the START task again. When timing/counting is resumed, the timer will continue from the value it had prior to being stopped.

In Timer mode, the TIMER's internal Counter register is incremented by one for every tick of the timer frequency  $f_{\text{TIMER}}$  as illustrated in [Block schematic for timer/counter](#) on page 462. The timer frequency is derived from PCLK16M as shown in the following example, using the values specified in the PRESCALER register.

$$f_{\text{TIMER}} = 16 \text{ MHz} / (2^{\text{PRESCALER}})$$

When  $f_{\text{TIMER}} \leq 1 \text{ MHz}$ , TIMER will use PCLK1M instead of PCLK16M for reduced power consumption.

In counter mode, the TIMER's internal Counter register is incremented by one each time the COUNT task is triggered, meaning the timer frequency and the prescaler are not utilized in counter mode. Similarly, the COUNT task has no effect in Timer mode.

The TIMER's maximum value is configured by changing the bit-width of the timer in register [BITMODE](#) on page 467.

[PRESCALER](#) on page 468 and [BITMODE](#) on page 467 must only be updated when the timer is stopped. If these registers are updated while the timer is started, unpredictable behavior may occur.

When the timer is incremented beyond its maximum value, the Counter register will overflow and the timer will automatically start over from zero.

The Counter register can be cleared by triggering the CLEAR task. This will explicitly set the internal value to zero.

TIMER implements multiple capture/compare registers.

Independent of prescaler setting, the accuracy of TIMER is equivalent to one tick of the timer frequency  $f_{\text{TIMER}}$  as illustrated in [Block schematic for timer/counter](#) on page 462.

### 6.30.1 Capture

TIMER implements one capture task for every available capture/compare register.

Every time the CAPTURE[n] task is triggered, the Counter value is copied to the CC[n] register.

### 6.30.2 Compare

TIMER implements one COMPARE event for every available capture/compare register.

A COMPARE event is generated when the Counter is incremented and then becomes equal to the value specified in one of the capture compare registers. When the Counter value becomes equal to the value specified in a capture compare register CC[n], the corresponding compare event COMPARE[n] is generated.

[BITMODE](#) on page 467 specifies how many bits of the Counter register and the capture/compare register that are used when the comparison is performed. Other bits will be ignored.

### 6.30.3 Task delays

After TIMER is started, the CLEAR, COUNT, and STOP tasks are guaranteed to take effect within one clock cycle of the PCLK16M.

### 6.30.4 Task priority

If the START task and the STOP task are triggered at the same time, meaning within the same period of PCLK16M, the STOP task will be prioritized.

## 6.30.5 Registers

| Base address | Peripheral | Instance | Description | Configuration                                     |
|--------------|------------|----------|-------------|---|
| 0x40008000   | TIMER      | TIMER0   | Timer 0     | This timer instance has 4 CC registers (CC[0..3]) |
| 0x40009000   | TIMER      | TIMER1   | Timer 1     | This timer instance has 4 CC registers (CC[0..3]) |
| 0x4000A000   | TIMER      | TIMER2   | Timer 2     | This timer instance has 4 CC registers (CC[0..3]) |
| 0x4001A000   | TIMER      | TIMER3   | Timer 3     | This timer instance has 6 CC registers (CC[0..5]) |
| 0x4001B000   | TIMER      | TIMER4   | Timer 4     | This timer instance has 6 CC registers (CC[0..5]) |

Table 121: Instances

| Register          | Offset | Description                                    |            |
|-------------------|--------|--|------------|
| TASKS_START       | 0x000  | Start Timer                                    |            |
| TASKS_STOP        | 0x004  | Stop Timer                                     |            |
| TASKS_COUNT       | 0x008  | Increment Timer (Counter mode only)            |            |
| TASKS_CLEAR       | 0x00C  | Clear time                                     |            |
| TASKS_SHUTDOWN    | 0x010  | Shut down timer                                | Deprecated |
| TASKS_CAPTURE[0]  | 0x040  | Capture Timer value to CC[0] register          |            |
| TASKS_CAPTURE[1]  | 0x044  | Capture Timer value to CC[1] register          |            |
| TASKS_CAPTURE[2]  | 0x048  | Capture Timer value to CC[2] register          |            |
| TASKS_CAPTURE[3]  | 0x04C  | Capture Timer value to CC[3] register          |            |
| TASKS_CAPTURE[4]  | 0x050  | Capture Timer value to CC[4] register          |            |
| TASKS_CAPTURE[5]  | 0x054  | Capture Timer value to CC[5] register          |            |
| EVENTS_COMPARE[0] | 0x140  | Compare event on CC[0] match                   |            |
| EVENTS_COMPARE[1] | 0x144  | Compare event on CC[1] match                   |            |
| EVENTS_COMPARE[2] | 0x148  | Compare event on CC[2] match                   |            |
| EVENTS_COMPARE[3] | 0x14C  | Compare event on CC[3] match                   |            |
| EVENTS_COMPARE[4] | 0x150  | Compare event on CC[4] match                   |            |
| EVENTS_COMPARE[5] | 0x154  | Compare event on CC[5] match                   |            |
| SHORTS            | 0x200  | Shortcuts between local events and tasks       |            |
| INTENSET          | 0x304  | Enable interrupt                               |            |
| INTENCLR          | 0x308  | Disable interrupt                              |            |
| MODE              | 0x504  | Timer mode selection                           |            |
| BITMODE           | 0x508  | Configure the number of bits used by the TIMER |            |
| PRESCALER         | 0x510  | Timer prescaler register                       |            |
| CC[0]             | 0x540  | Capture/Compare register 0                     |            |
| CC[1]             | 0x544  | Capture/Compare register 1                     |            |
| CC[2]             | 0x548  | Capture/Compare register 2                     |            |
| CC[3]             | 0x54C  | Capture/Compare register 3                     |            |
| CC[4]             | 0x550  | Capture/Compare register 4                     |            |
| CC[5]             | 0x554  | Capture/Compare register 5                     |            |

Table 122: Register overview

### 6.30.5.1 TASKS\_START

Address offset: 0x000

Start Timer

| Bit number       | 31  | 30          | 29       | 28    | 27           | 26 | 25 | 24 | 23 | 22 | 21 | 20 | 19 | 18 | 17 | 16 | 15 | 14 | 13 | 12 | 11 | 10 | 9 | 8 | 7 | 6 | 5 | 4 | 3 | 2 | 1 | 0 |
|------------------|---|-------------|----------|-------|--------------|----|----|----|----|----|----|----|----|----|----|----|----|----|----|----|----|----|---|---|---|---|---|---|---|---|---|---|
| ID               |   |             |          |       |              |    |    |    |    |    |    |    |    |    |    |    |    |    |    |    |    |    |   |   |   |   |   |   |   |   |   | A |
| Reset 0x00000000 | 0 |             |          |       |              |    |    |    |    |    |    |    |    |    |    |    |    |    |    |    |    |    |   |   |   |   |   |   |   |   |   |   |
| ID               | Acce  | Field       | Value ID | Value | Description  |    |    |    |    |    |    |    |    |    |    |    |    |    |    |    |    |    |   |   |   |   |   |   |   |   |   |   |
| A                | W   | TASKS_START |          |       | Start Timer  |    |    |    |    |    |    |    |    |    |    |    |    |    |    |    |    |    |   |   |   |   |   |   |   |   |   |   |
|                  |   |             | Trigger  | 1     | Trigger task |    |    |    |    |    |    |    |    |    |    |    |    |    |    |    |    |    |   |   |   |   |   |   |   |   |   |   |

### 6.30.5.2 TASKS\_STOP

Address offset: 0x004

Stop Timer

| Bit number       | 31  | 30         | 29       | 28    | 27           | 26 | 25 | 24 | 23 | 22 | 21 | 20 | 19 | 18 | 17 | 16 | 15 | 14 | 13 | 12 | 11 | 10 | 9 | 8 | 7 | 6 | 5 | 4 | 3 | 2 | 1 | 0 |
|------------------|---|------------|----------|-------|--------------|----|----|----|----|----|----|----|----|----|----|----|----|----|----|----|----|----|---|---|---|---|---|---|---|---|---|---|
| ID               |   |            |          |       |              |    |    |    |    |    |    |    |    |    |    |    |    |    |    |    |    |    |   |   |   |   |   |   |   |   |   | A |
| Reset 0x00000000 | 0 |            |          |       |              |    |    |    |    |    |    |    |    |    |    |    |    |    |    |    |    |    |   |   |   |   |   |   |   |   |   |   |
| ID               | Acce  | Field      | Value ID | Value | Description  |    |    |    |    |    |    |    |    |    |    |    |    |    |    |    |    |    |   |   |   |   |   |   |   |   |   |   |
| A                | W   | TASKS_STOP |          |       | Stop Timer   |    |    |    |    |    |    |    |    |    |    |    |    |    |    |    |    |    |   |   |   |   |   |   |   |   |   |   |
|                  |   |            | Trigger  | 1     | Trigger task |    |    |    |    |    |    |    |    |    |    |    |    |    |    |    |    |    |   |   |   |   |   |   |   |   |   |   |

### 6.30.5.3 TASKS\_COUNT

Address offset: 0x008

Increment Timer (Counter mode only)

| Bit number       | 31  | 30          | 29       | 28    | 27                                  | 26 | 25 | 24 | 23 | 22 | 21 | 20 | 19 | 18 | 17 | 16 | 15 | 14 | 13 | 12 | 11 | 10 | 9 | 8 | 7 | 6 | 5 | 4 | 3 | 2 | 1 | 0 |
|------------------|---|-------------|----------|-------|-------------------------------------|----|----|----|----|----|----|----|----|----|----|----|----|----|----|----|----|----|---|---|---|---|---|---|---|---|---|---|
| ID               |   |             |          |       |                                     |    |    |    |    |    |    |    |    |    |    |    |    |    |    |    |    |    |   |   |   |   |   |   |   |   |   | A |
| Reset 0x00000000 | 0 |             |          |       |                                     |    |    |    |    |    |    |    |    |    |    |    |    |    |    |    |    |    |   |   |   |   |   |   |   |   |   |   |
| ID               | Acce  | Field       | Value ID | Value | Description                         |    |    |    |    |    |    |    |    |    |    |    |    |    |    |    |    |    |   |   |   |   |   |   |   |   |   |   |
| A                | W   | TASKS_COUNT |          |       | Increment Timer (Counter mode only) |    |    |    |    |    |    |    |    |    |    |    |    |    |    |    |    |    |   |   |   |   |   |   |   |   |   |   |
|                  |   |             | Trigger  | 1     | Trigger task                        |    |    |    |    |    |    |    |    |    |    |    |    |    |    |    |    |    |   |   |   |   |   |   |   |   |   |   |

### 6.30.5.4 TASKS\_CLEAR

Address offset: 0x00C

Clear time

| Bit number       | 31  | 30          | 29       | 28    | 27           | 26 | 25 | 24 | 23 | 22 | 21 | 20 | 19 | 18 | 17 | 16 | 15 | 14 | 13 | 12 | 11 | 10 | 9 | 8 | 7 | 6 | 5 | 4 | 3 | 2 | 1 | 0 |
|------------------|---|-------------|----------|-------|--------------|----|----|----|----|----|----|----|----|----|----|----|----|----|----|----|----|----|---|---|---|---|---|---|---|---|---|---|
| ID               |   |             |          |       |              |    |    |    |    |    |    |    |    |    |    |    |    |    |    |    |    |    |   |   |   |   |   |   |   |   |   | A |
| Reset 0x00000000 | 0 |             |          |       |              |    |    |    |    |    |    |    |    |    |    |    |    |    |    |    |    |    |   |   |   |   |   |   |   |   |   |   |
| ID               | Acce  | Field       | Value ID | Value | Description  |    |    |    |    |    |    |    |    |    |    |    |    |    |    |    |    |    |   |   |   |   |   |   |   |   |   |   |
| A                | W   | TASKS_CLEAR |          |       | Clear time   |    |    |    |    |    |    |    |    |    |    |    |    |    |    |    |    |    |   |   |   |   |   |   |   |   |   |   |
|                  |   |             | Trigger  | 1     | Trigger task |    |    |    |    |    |    |    |    |    |    |    |    |    |    |    |    |    |   |   |   |   |   |   |   |   |   |   |

### 6.30.5.5 TASKS\_SHUTDOWN ( Deprecated )

Address offset: 0x010

Shut down timer

| Bit number       | 31  | 30       | 29    | 28              | 27 | 26 | 25 | 24 | 23 | 22 | 21 | 20 | 19 | 18 | 17 | 16 | 15 | 14 | 13 | 12 | 11 | 10 | 9 | 8 | 7 | 6 | 5 | 4 | 3 | 2 | 1 | 0 |
|------------------|---|----------|-------|-----------------|----|----|----|----|----|----|----|----|----|----|----|----|----|----|----|----|----|----|---|---|---|---|---|---|---|---|---|---|
| ID               |   |          |       |                 |    |    |    |    |    |    |    |    |    |    |    |    |    |    |    |    |    |    |   |   |   |   |   |   |   |   |   | A |
| Reset 0x00000000 | 0 |          |       |                 |    |    |    |    |    |    |    |    |    |    |    |    |    |    |    |    |    |    |   |   |   |   |   |   |   |   |   |   |
| ID               | Acce Field  | Value ID | Value | Description     |    |    |    |    |    |    |    |    |    |    |    |    |    |    |    |    |    |    |   |   |   |   |   |   |   |   |   |   |
| A                | W TASKS_SHUTDOWN  |          |       | Shut down timer |    |    |    |    |    |    |    |    |    |    |    |    |    |    |    |    |    |    |   |   |   |   |   |   |   |   |   |   |
|                  |   | Trigger  | 1     | Trigger task    |    |    |    |    |    |    |    |    |    |    |    |    |    |    |    |    |    |    |   |   |   |   |   |   |   |   |   |   |
|                  |   |          |       | Deprecated      |    |    |    |    |    |    |    |    |    |    |    |    |    |    |    |    |    |    |   |   |   |   |   |   |   |   |   |   |

### 6.30.5.6 TASKS\_CAPTURE[n] (n=0..5)

Address offset: 0x040 + (n × 0x4)

Capture Timer value to CC[n] register

| Bit number       | 31  | 30       | 29    | 28                                    | 27 | 26 | 25 | 24 | 23 | 22 | 21 | 20 | 19 | 18 | 17 | 16 | 15 | 14 | 13 | 12 | 11 | 10 | 9 | 8 | 7 | 6 | 5 | 4 | 3 | 2 | 1 | 0 |
|------------------|---|----------|-------|---------------------------------------|----|----|----|----|----|----|----|----|----|----|----|----|----|----|----|----|----|----|---|---|---|---|---|---|---|---|---|---|
| ID               |   |          |       |                                       |    |    |    |    |    |    |    |    |    |    |    |    |    |    |    |    |    |    |   |   |   |   |   |   |   |   |   | A |
| Reset 0x00000000 | 0 |          |       |                                       |    |    |    |    |    |    |    |    |    |    |    |    |    |    |    |    |    |    |   |   |   |   |   |   |   |   |   |   |
| ID               | Acce Field  | Value ID | Value | Description                           |    |    |    |    |    |    |    |    |    |    |    |    |    |    |    |    |    |    |   |   |   |   |   |   |   |   |   |   |
| A                | W TASKS_CAPTURE   |          |       | Capture Timer value to CC[n] register |    |    |    |    |    |    |    |    |    |    |    |    |    |    |    |    |    |    |   |   |   |   |   |   |   |   |   |   |
|                  |   | Trigger  | 1     | Trigger task                          |    |    |    |    |    |    |    |    |    |    |    |    |    |    |    |    |    |    |   |   |   |   |   |   |   |   |   |   |

### 6.30.5.7 EVENTS\_COMPARE[n] (n=0..5)

Address offset: 0x140 + (n × 0x4)

Compare event on CC[n] match

| Bit number       | 31  | 30           | 29    | 28                           | 27 | 26 | 25 | 24 | 23 | 22 | 21 | 20 | 19 | 18 | 17 | 16 | 15 | 14 | 13 | 12 | 11 | 10 | 9 | 8 | 7 | 6 | 5 | 4 | 3 | 2 | 1 | 0 |
|------------------|---|--------------|-------|------------------------------|----|----|----|----|----|----|----|----|----|----|----|----|----|----|----|----|----|----|---|---|---|---|---|---|---|---|---|---|
| ID               |   |              |       |                              |    |    |    |    |    |    |    |    |    |    |    |    |    |    |    |    |    |    |   |   |   |   |   |   |   |   |   | A |
| Reset 0x00000000 | 0 |              |       |                              |    |    |    |    |    |    |    |    |    |    |    |    |    |    |    |    |    |    |   |   |   |   |   |   |   |   |   |   |
| ID               | Acce Field  | Value ID     | Value | Description                  |    |    |    |    |    |    |    |    |    |    |    |    |    |    |    |    |    |    |   |   |   |   |   |   |   |   |   |   |
| A                | RW EVENTS_COMPARE   |              |       | Compare event on CC[n] match |    |    |    |    |    |    |    |    |    |    |    |    |    |    |    |    |    |    |   |   |   |   |   |   |   |   |   |   |
|                  |   | NotGenerated | 0     | Event not generated          |    |    |    |    |    |    |    |    |    |    |    |    |    |    |    |    |    |    |   |   |   |   |   |   |   |   |   |   |
|                  |   | Generated    | 1     | Event generated              |    |    |    |    |    |    |    |    |    |    |    |    |    |    |    |    |    |    |   |   |   |   |   |   |   |   |   |   |

### 6.30.5.8 SHORTS

Address offset: 0x200

Shortcuts between local events and tasks

| Bit number       | 31  | 30       | 29    | 28   | 27 | 26 | 25 | 24 | 23 | 22 | 21 | 20 | 19 | 18 | 17 | 16 | 15 | 14 | 13 | 12 | 11 | 10 | 9 | 8 | 7 | 6 | 5 | 4 | 3 | 2 | 1 | 0 |  |   |   |   |   |   |   |
|------------------|---|----------|-------|--|----|----|----|----|----|----|----|----|----|----|----|----|----|----|----|----|----|----|---|---|---|---|---|---|---|---|---|---|--|---|---|---|---|---|---|
| ID               |   |          |       |  |    |    |    |    |    |    |    |    |    |    |    |    |    |    |    |    | L  | K  | J | I | H | G |   |   |   |   |   |   |  | F | E | D | C | B | A |
| Reset 0x00000000 | 0 |          |       |  |    |    |    |    |    |    |    |    |    |    |    |    |    |    |    |    |    |    |   |   |   |   |   |   |   |   |   |   |  |   |   |   |   |   |   |
| ID               | Acce Field  | Value ID | Value | Description                                      |    |    |    |    |    |    |    |    |    |    |    |    |    |    |    |    |    |    |   |   |   |   |   |   |   |   |   |   |  |   |   |   |   |   |   |
| A-F              | RW COMPARE[i]_CLEAR<br>(i=0..5)   |          |       | Shortcut between event COMPARE[i] and task CLEAR |    |    |    |    |    |    |    |    |    |    |    |    |    |    |    |    |    |    |   |   |   |   |   |   |   |   |   |   |  |   |   |   |   |   |   |
|                  |   | Disabled | 0     | Disable shortcut                                 |    |    |    |    |    |    |    |    |    |    |    |    |    |    |    |    |    |    |   |   |   |   |   |   |   |   |   |   |  |   |   |   |   |   |   |
|                  |   | Enabled  | 1     | Enable shortcut                                  |    |    |    |    |    |    |    |    |    |    |    |    |    |    |    |    |    |    |   |   |   |   |   |   |   |   |   |   |  |   |   |   |   |   |   |
| G-L              | RW COMPARE[i]_STOP<br>(i=0..5)  |          |       | Shortcut between event COMPARE[i] and task STOP  |    |    |    |    |    |    |    |    |    |    |    |    |    |    |    |    |    |    |   |   |   |   |   |   |   |   |   |   |  |   |   |   |   |   |   |
|                  |   | Disabled | 0     | Disable shortcut                                 |    |    |    |    |    |    |    |    |    |    |    |    |    |    |    |    |    |    |   |   |   |   |   |   |   |   |   |   |  |   |   |   |   |   |   |
|                  |   | Enabled  | 1     | Enable shortcut                                  |    |    |    |    |    |    |    |    |    |    |    |    |    |    |    |    |    |    |   |   |   |   |   |   |   |   |   |   |  |   |   |   |   |   |   |

### 6.30.5.9 INTENSET

Address offset: 0x304

Enable interrupt

| Bit number       | 31 30 29 28 27 26 25 24 23 22 21 20 19 18 17 16 15 14 13 12 11 10 9 8 7 6 5 4 3 2 1 0 |          |       |  |  |  |  |  |  |  |  |  |  |  |  |  |  |  |  |  |  |  |  |  |  |  |  |  |  |  |  |
|------------------|---|----------|-------|--|--|--|--|--|--|--|--|--|--|--|--|--|--|--|--|--|--|--|--|--|--|--|--|--|--|--|--|
| ID               | F E D C B A   |          |       |  |  |  |  |  |  |  |  |  |  |  |  |  |  |  |  |  |  |  |  |  |  |  |  |  |  |  |  |
| Reset 0x00000000 | 0             |          |       |  |  |  |  |  |  |  |  |  |  |  |  |  |  |  |  |  |  |  |  |  |  |  |  |  |  |  |  |
| ID               | Acce Field  | Value ID | Value | Description  |  |  |  |  |  |  |  |  |  |  |  |  |  |  |  |  |  |  |  |  |  |  |  |  |  |  |  |
| A-F              | RW COMPARE[i] (i=0..5)  |          |       | Write '1' to enable interrupt for event COMPARE[i] |  |  |  |  |  |  |  |  |  |  |  |  |  |  |  |  |  |  |  |  |  |  |  |  |  |  |  |
|                  |   | Set      | 1     | Enable   |  |  |  |  |  |  |  |  |  |  |  |  |  |  |  |  |  |  |  |  |  |  |  |  |  |  |  |
|                  |   | Disabled | 0     | Read: Disabled                                     |  |  |  |  |  |  |  |  |  |  |  |  |  |  |  |  |  |  |  |  |  |  |  |  |  |  |  |
|                  |   | Enabled  | 1     | Read: Enabled                                      |  |  |  |  |  |  |  |  |  |  |  |  |  |  |  |  |  |  |  |  |  |  |  |  |  |  |  |

### 6.30.5.10 INTENCLR

Address offset: 0x308

Disable interrupt

| Bit number       | 31 30 29 28 27 26 25 24 23 22 21 20 19 18 17 16 15 14 13 12 11 10 9 8 7 6 5 4 3 2 1 0 |          |       |   |  |  |  |  |  |  |  |  |  |  |  |  |  |  |  |  |  |  |  |  |  |  |  |  |  |  |  |
|------------------|---|----------|-------|---|--|--|--|--|--|--|--|--|--|--|--|--|--|--|--|--|--|--|--|--|--|--|--|--|--|--|--|
| ID               | F E D C B A   |          |       |   |  |  |  |  |  |  |  |  |  |  |  |  |  |  |  |  |  |  |  |  |  |  |  |  |  |  |  |
| Reset 0x00000000 | 0             |          |       |   |  |  |  |  |  |  |  |  |  |  |  |  |  |  |  |  |  |  |  |  |  |  |  |  |  |  |  |
| ID               | Acce Field  | Value ID | Value | Description   |  |  |  |  |  |  |  |  |  |  |  |  |  |  |  |  |  |  |  |  |  |  |  |  |  |  |  |
| A-F              | RW COMPARE[i] (i=0..5)  |          |       | Write '1' to disable interrupt for event COMPARE[i] |  |  |  |  |  |  |  |  |  |  |  |  |  |  |  |  |  |  |  |  |  |  |  |  |  |  |  |
|                  |   | Clear    | 1     | Disable   |  |  |  |  |  |  |  |  |  |  |  |  |  |  |  |  |  |  |  |  |  |  |  |  |  |  |  |
|                  |   | Disabled | 0     | Read: Disabled                                      |  |  |  |  |  |  |  |  |  |  |  |  |  |  |  |  |  |  |  |  |  |  |  |  |  |  |  |
|                  |   | Enabled  | 1     | Read: Enabled                                       |  |  |  |  |  |  |  |  |  |  |  |  |  |  |  |  |  |  |  |  |  |  |  |  |  |  |  |

### 6.30.5.11 MODE

Address offset: 0x504

Timer mode selection

| Bit number       | 31 30 29 28 27 26 25 24 23 22 21 20 19 18 17 16 15 14 13 12 11 10 9 8 7 6 5 4 3 2 1 0 |                 |       |                               |  |  |  |  |  |  |  |  |  |  |  |  |  |  |  |  |  |  |  |  |  |  |  |  |  |  |  |
|------------------|---|-----------------|-------|-------------------------------|--|--|--|--|--|--|--|--|--|--|--|--|--|--|--|--|--|--|--|--|--|--|--|--|--|--|--|
| ID               | A A   |                 |       |                               |  |  |  |  |  |  |  |  |  |  |  |  |  |  |  |  |  |  |  |  |  |  |  |  |  |  |  |
| Reset 0x00000000 | 0             |                 |       |                               |  |  |  |  |  |  |  |  |  |  |  |  |  |  |  |  |  |  |  |  |  |  |  |  |  |  |  |
| ID               | Acce Field  | Value ID        | Value | Description                   |  |  |  |  |  |  |  |  |  |  |  |  |  |  |  |  |  |  |  |  |  |  |  |  |  |  |  |
| A                | RW MODE   |                 |       | Timer mode                    |  |  |  |  |  |  |  |  |  |  |  |  |  |  |  |  |  |  |  |  |  |  |  |  |  |  |  |
|                  |   | Timer           | 0     | Select Timer mode             |  |  |  |  |  |  |  |  |  |  |  |  |  |  |  |  |  |  |  |  |  |  |  |  |  |  |  |
|                  |   | Counter         | 1     | Select Counter mode           |  |  |  |  |  |  |  |  |  |  |  |  |  |  |  |  |  |  |  |  |  |  |  |  |  |  |  |
|                  |   | LowPowerCounter | 2     | Select Low Power Counter mode |  |  |  |  |  |  |  |  |  |  |  |  |  |  |  |  |  |  |  |  |  |  |  |  |  |  |  |

Deprecated

### 6.30.5.12 BITMODE

Address offset: 0x508

Configure the number of bits used by the TIMER

| Bit number | 31  | 30      | 29       | 28    | 27                     | 26 | 25 | 24 | 23 | 22 | 21 | 20 | 19 | 18 | 17 | 16 | 15 | 14 | 13 | 12 | 11 | 10 | 9 | 8 | 7 | 6 | 5 | 4 | 3 | 2 | 1 | 0 |
|------------|---|---------|----------|-------|------------------------|----|----|----|----|----|----|----|----|----|----|----|----|----|----|----|----|----|---|---|---|---|---|---|---|---|---|---|
| ID         |   |         |          |       |                        |    |    |    |    |    |    |    |    |    |    |    |    |    |    |    |    |    |   |   |   |   | A | A |   |   |   |   |
| Reset      | 0x00000000  |         |          |       |                        |    |    |    |    |    |    |    |    |    |    |    |    |    |    |    |    |    |   |   |   |   |   |   |   |   |   |   |
| Reset      | 0 |         |          |       |                        |    |    |    |    |    |    |    |    |    |    |    |    |    |    |    |    |    |   |   |   |   |   |   |   |   |   |   |
| ID         | Acce  | Field   | Value ID | Value | Description            |    |    |    |    |    |    |    |    |    |    |    |    |    |    |    |    |    |   |   |   |   |   |   |   |   |   |   |
| A          | RW  | BITMODE |          |       | Timer bit width        |    |    |    |    |    |    |    |    |    |    |    |    |    |    |    |    |    |   |   |   |   |   |   |   |   |   |   |
|            |   |         | 16Bit    | 0     | 16 bit timer bit width |    |    |    |    |    |    |    |    |    |    |    |    |    |    |    |    |    |   |   |   |   |   |   |   |   |   |   |
|            |   |         | 08Bit    | 1     | 8 bit timer bit width  |    |    |    |    |    |    |    |    |    |    |    |    |    |    |    |    |    |   |   |   |   |   |   |   |   |   |   |
|            |   |         | 24Bit    | 2     | 24 bit timer bit width |    |    |    |    |    |    |    |    |    |    |    |    |    |    |    |    |    |   |   |   |   |   |   |   |   |   |   |
|            |   |         | 32Bit    | 3     | 32 bit timer bit width |    |    |    |    |    |    |    |    |    |    |    |    |    |    |    |    |    |   |   |   |   |   |   |   |   |   |   |

### 6.30.5.13 PRESCALER

Address offset: 0x510

Timer prescaler register

| Bit number | 31  | 30        | 29       | 28     | 27              | 26 | 25 | 24 | 23 | 22 | 21 | 20 | 19 | 18 | 17 | 16 | 15 | 14 | 13 | 12 | 11 | 10 | 9 | 8 | 7 | 6 | 5 | 4 | 3 | 2 | 1 | 0 |
|------------|---|-----------|----------|--------|-----------------|----|----|----|----|----|----|----|----|----|----|----|----|----|----|----|----|----|---|---|---|---|---|---|---|---|---|---|
| ID         |   |           |          |        |                 |    |    |    |    |    |    |    |    |    |    |    |    |    |    |    |    |    |   |   |   |   | A | A | A | A |   |   |
| Reset      | 0x00000004  |           |          |        |                 |    |    |    |    |    |    |    |    |    |    |    |    |    |    |    |    |    |   |   |   |   |   |   |   |   |   |   |
| Reset      | 0 1 0 0 |           |          |        |                 |    |    |    |    |    |    |    |    |    |    |    |    |    |    |    |    |    |   |   |   |   |   |   |   |   |   |   |
| ID         | Acce  | Field     | Value ID | Value  | Description     |    |    |    |    |    |    |    |    |    |    |    |    |    |    |    |    |    |   |   |   |   |   |   |   |   |   |   |
| A          | RW  | PRESCALER |          | [0..9] | Prescaler value |    |    |    |    |    |    |    |    |    |    |    |    |    |    |    |    |    |   |   |   |   |   |   |   |   |   |   |

### 6.30.5.14 CC[n] (n=0..5)

Address offset: 0x540 + (n × 0x4)

Capture/Compare register n

| Bit number | 31  | 30    | 29       | 28    | 27  | 26 | 25 | 24 | 23 | 22 | 21 | 20 | 19 | 18 | 17 | 16 | 15 | 14 | 13 | 12 | 11 | 10 | 9 | 8 | 7 | 6 | 5 | 4 | 3 | 2 | 1 | 0 |
|------------|---|-------|----------|-------|---|----|----|----|----|----|----|----|----|----|----|----|----|----|----|----|----|----|---|---|---|---|---|---|---|---|---|---|
| ID         | A   | A     | A        | A     | A   | A  | A  | A  | A  | A  | A  | A  | A  | A  | A  | A  | A  | A  | A  | A  | A  | A  | A | A | A | A | A | A | A | A | A |   |
| Reset      | 0x00000000  |       |          |       |   |    |    |    |    |    |    |    |    |    |    |    |    |    |    |    |    |    |   |   |   |   |   |   |   |   |   |   |
| Reset      | 0 |       |          |       |   |    |    |    |    |    |    |    |    |    |    |    |    |    |    |    |    |    |   |   |   |   |   |   |   |   |   |   |
| ID         | Acce  | Field | Value ID | Value | Description   |    |    |    |    |    |    |    |    |    |    |    |    |    |    |    |    |    |   |   |   |   |   |   |   |   |   |   |
| A          | RW  | CC    |          |       | Capture/Compare value   |    |    |    |    |    |    |    |    |    |    |    |    |    |    |    |    |    |   |   |   |   |   |   |   |   |   |   |
|            |   |       |          |       | Only the number of bits indicated by BITMODE will be used by the TIMER. |    |    |    |    |    |    |    |    |    |    |    |    |    |    |    |    |    |   |   |   |   |   |   |   |   |   |   |

## 6.30.6 Electrical specification

## 6.31 TWIM — I<sup>2</sup>C compatible two-wire interface master with EasyDMA

TWI master with EasyDMA (TWIM) is a two-wire half-duplex master which can communicate with multiple slave devices connected to the same bus.

Listed here are the main features for TWIM:

- I<sup>2</sup>C compatible
- Supported baud rates: 100, 250, 400 kbps
- Support for clock stretching (non I<sup>2</sup>C compliant)
- EasyDMA



The two-wire interface can communicate with a bi-directional wired-AND bus with two lines (SCL, SDA). The protocol makes it possible to interconnect up to 127 individually addressable devices. TWIM is not compatible with CBUS.

The GPIOs used for each two-wire interface line can be chosen from any GPIO on the device and are independently configurable. This enables great flexibility in device pinout and efficient use of board space and signal routing.

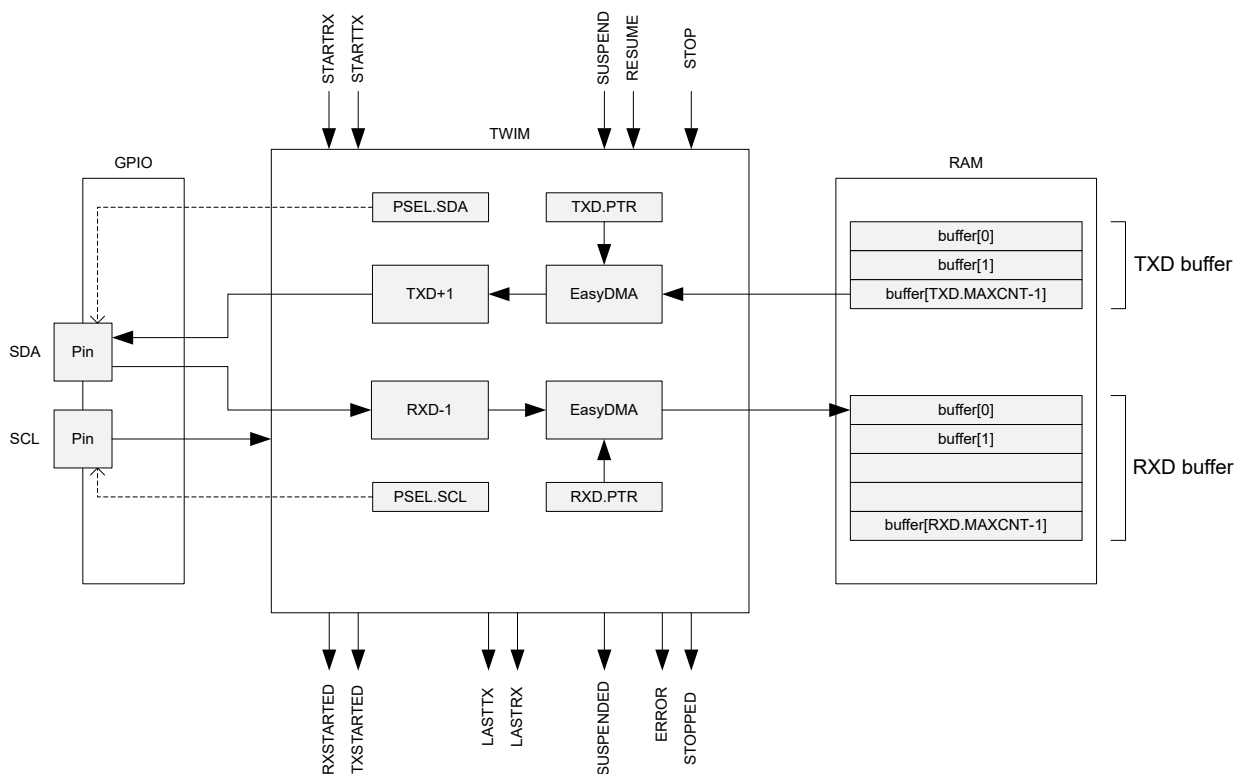


Figure 173: TWI master with EasyDMA

A typical TWI setup consists of one master and one or more slaves. For an example, see the following figure. This TWIM is only able to operate as a single master on the TWI bus. Multi-master bus configuration is not supported.

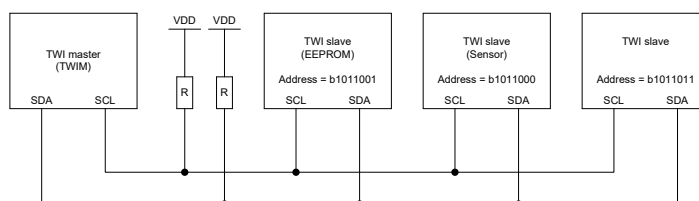


Figure 174: A typical TWI setup comprising one master and three slaves

This TWI master supports clock stretching performed by the slaves. The SCK pulse following a stretched clock cycle may be shorter than specified by the I2C specification.

The TWI master is started by triggering the STARTTX or STARTRX tasks, and stopped by triggering the STOP task. The TWI master will generate a STOPPED event when it has stopped following a STOP task.

After the TWI master is started, the STARTTX or STARTRX tasks should not be triggered again until the TWI master has issued a LASTRX, LASTTX, or STOPPED event.

The TWI master can be suspended using the SUSPEND task, this can be used when using the TWI master in a low priority interrupt context. When the TWIM enters suspend state, will automatically issue a SUSPENDED event while performing a continuous clock stretching until it is instructed to resume operation

via a RESUME task. The TWI master cannot be stopped while it is suspended, thus the STOP task has to be issued after the TWI master has been resumed.

**Note:** Any ongoing byte transfer will be allowed to complete before the suspend is enforced. A SUSPEND task has no effect unless the TWI master is actively involved in a transfer.

If a NACK is clocked in from the slave, the TWI master will generate an ERROR event.

### 6.31.1 EasyDMA

The TWIM implements EasyDMA for accessing RAM without CPU involvement.

The TWIM peripheral implements the EasyDMA channels found in the following table.

| Channel | Type   | Register Cluster |
|---------|--------|------------------|
| TXD     | READER | TXD              |
| RXD     | WRITER | RXD              |

Table 123: TWIM EasyDMA Channels

For detailed information regarding the use of EasyDMA, see [EasyDMA](#) on page 47.

The .PTR and .MAXCNT registers are double-buffered. They can be updated and prepared for the next RX/TX transmission immediately after having received the RXSTARTED/TXSTARTED event.

The STOPPED event indicates that EasyDMA has finished accessing the buffer in RAM.

### 6.31.2 Master write sequence

A TWI master write sequence is started by triggering the STARTTX task. After the STARTTX task has been triggered, the TWI master will generate a start condition on the TWI bus, followed by clocking out the address and the READ/WRITE bit set to 0 (WRITE=0, READ=1).

The address must match the address of the slave device that the master wants to write to. The READ/WRITE bit is followed by an ACK/NACK bit (ACK=0 or NACK=1) generated by the slave.

After receiving the ACK bit, the TWI master will clock out the data bytes found in the transmit buffer located in RAM at the address specified in the TXD.PTR register. Each byte clocked out from the master will be followed by an ACK/NACK bit clocked in from the slave.

A typical TWI master write sequence is shown in the following figure. Occurrence 2 in the figure illustrates clock stretching performed by the TWI master following a SUSPEND task.

A SUSPENDED event indicates that the SUSPEND task has taken effect. This event can be used to synchronize the software.

The TWI master will generate a LASTTX event when it starts to transmit the last byte, this is shown in the following figure.

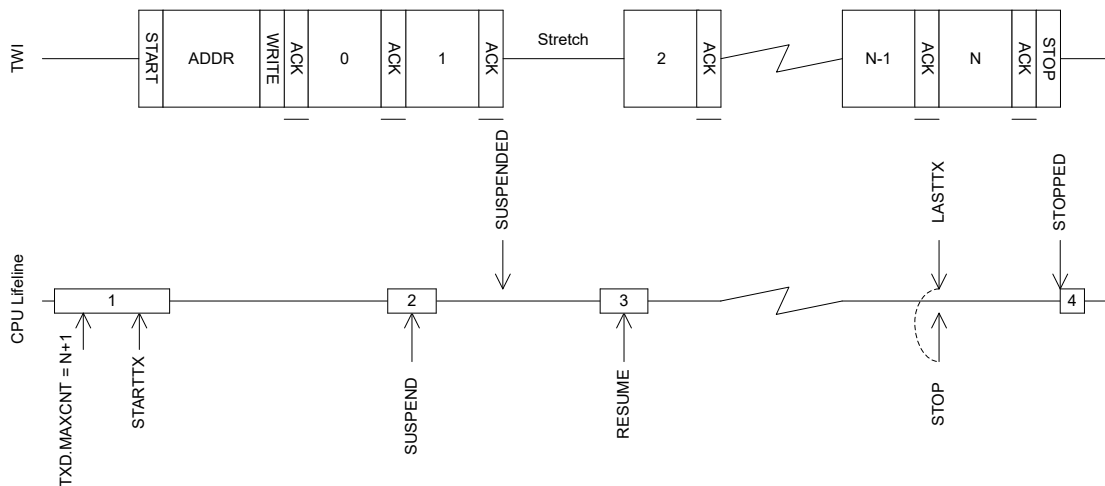


Figure 175: TWI master writing data to a slave

The TWI master is stopped by triggering the STOP task. This task should be triggered during the transmission of the last byte to secure that the TWI master will stop as fast as possible after sending the last byte. The shortcut between LASTTX and STOP can alternatively be used to accomplish this.

**Note:** The TWI master does not stop by itself when the entire RAM buffer has been sent, or when an error occurs. The STOP task must be issued, through the use of a local or PPI shortcut, or in software as part of the error handler.

### 6.31.3 Master read sequence

A TWI master read sequence is started by triggering the STARTRX task. After the STARTRX task has been triggered, the TWI master will generate a start condition on the TWI bus, followed by clocking out the address and the READ/WRITE bit set to 1 (WRITE = 0, READ = 1). The address must match the address of the slave device that the master wants to read from. The READ/WRITE bit is followed by an ACK/NACK bit (ACK=0 or NACK = 1) generated by the slave.

After sending the ACK bit, the TWI slave will send data to the master using the clock generated by the master.

Data received will be stored in RAM at the address specified in the RXD.PTR register. The TWI master will generate an ACK after all but the last byte have been received from the slave. The TWI master will generate a NACK after the last byte received to indicate that the read sequence shall stop.

A typical TWI master read sequence is illustrated in [The TWI master reading data from a slave](#) on page 472. Occurrence 2 in the figure illustrates clock stretching performed by the TWI master following a SUSPEND task.

A SUSPENDED event indicates that the SUSPEND task has taken effect. This event can be used to synchronize the software.

The TWI master will generate a LASTRX event when it is ready to receive the last byte, as shown in [The TWI master reading data from a slave](#) on page 472. If RXD.MAXCNT > 1, the LASTRX event is generated after sending the ACK of the previously received byte. If RXD.MAXCNT = 1, the LASTRX event is generated after receiving the ACK following the address and READ bit.

The TWI master is stopped by triggering the STOP task. This task must be triggered before the NACK bit is supposed to be transmitted. The STOP task can be triggered at any time during the reception of the last byte. It is recommended to use the shortcut between LASTRX and STOP to accomplish this.

The TWI master does not stop by itself when the RAM buffer is full, or when an error occurs. The STOP task must be issued, through the use of a local or PPI shortcut, or in software as part of the error handler.

The TWI master cannot be stopped while suspended, so the STOP task must be issued after the TWI master has been resumed.

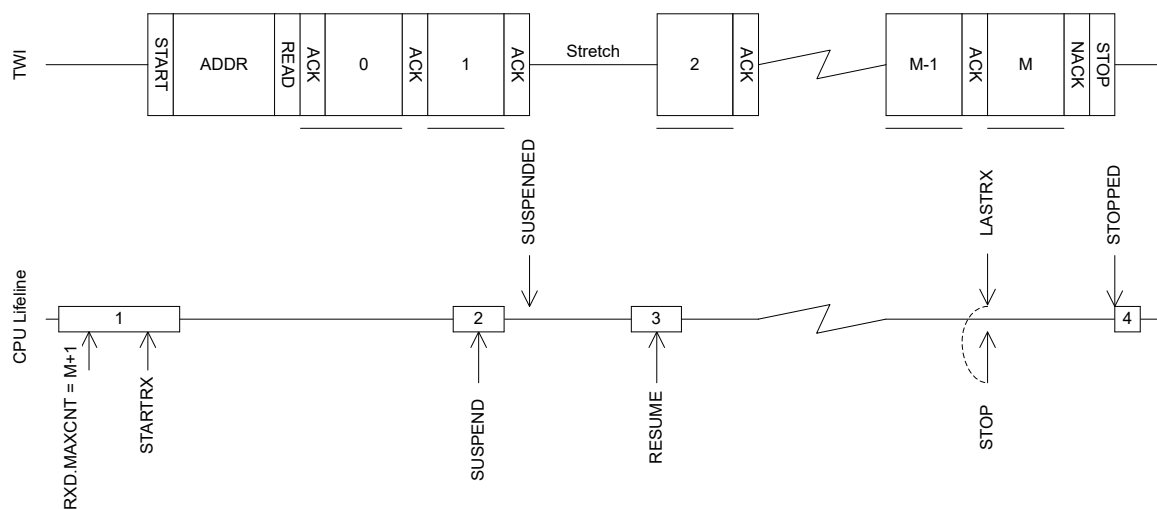


Figure 176: The TWI master reading data from a slave

### 6.31.4 Master repeated start sequence

A typical repeated start sequence is one in which the TWI master writes two bytes to the slave followed by reading four bytes from the slave. This example uses shortcuts to perform the simplest type of repeated start sequence, i.e. one write followed by one read. The same approach can be used to perform a repeated start sequence where the sequence is read followed by write.

The following figure shows an example of a repeated start sequence where the TWI master writes two bytes followed by reading four bytes from the slave.

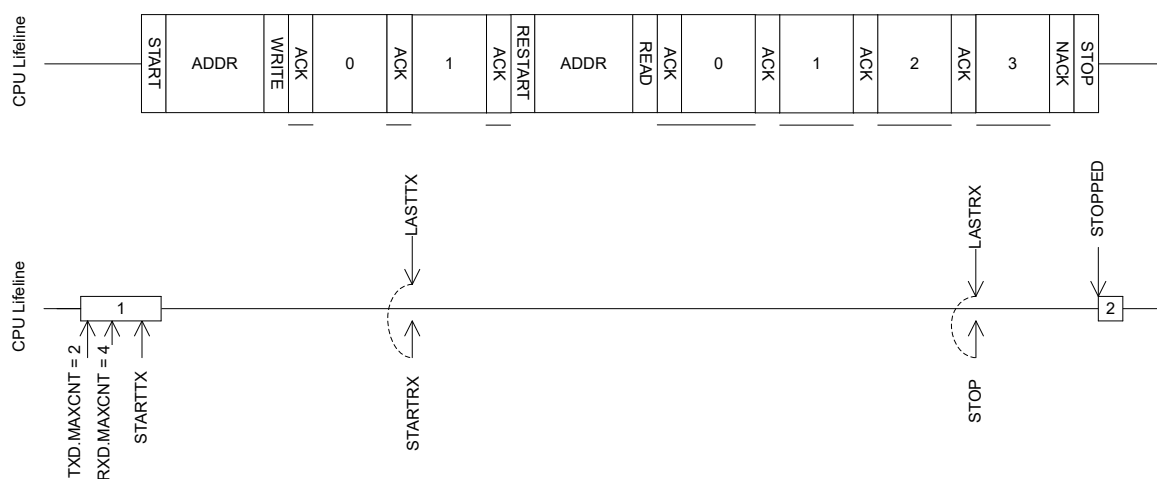


Figure 177: Master repeated start sequence

If a more complex repeated start sequence is needed, and the TWI firmware driver is serviced in a low priority interrupt, it may be necessary to use the SUSPEND task and SUSPENDED event to guarantee that the correct tasks are generated at the correct time. A double repeated start sequence using the SUSPEND task to secure safe operation in low priority interrupts is shown in the following figure.

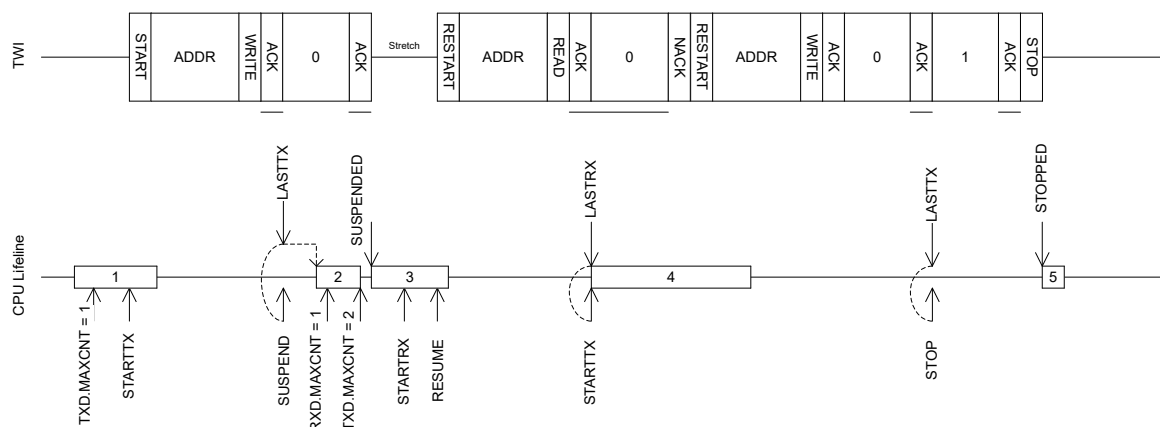


Figure 178: Double repeated start sequence

### 6.31.5 Low power

When putting the system in low power and the peripheral is not needed, lowest possible power consumption is achieved by stopping, and then disabling the peripheral.

When the STOP task is sent, the software shall wait until the STOPPED event is received as a response before disabling the peripheral through the ENABLE register. If the peripheral is already stopped, the STOP task is not required.

### 6.31.6 Master mode pin configuration

The SCL and SDA signals associated with the TWI master are mapped to physical pins according to the configuration specified in the PSEL.SCL and PSEL.SDA registers respectively.

The PSEL.SCL and PSEL.SDA registers and their configurations are only used as long as the TWI master is enabled, and retained only as long as the device is in ON mode. When the peripheral is disabled, the pins will behave as regular GPIOs, and use the configuration in their respective OUT bit field and PIN\_CNF[n] register. PSEL.SCL, PSEL.SDA must only be configured when the TWI master is disabled.

To secure correct signal levels on the pins used by the TWI master when the system is in OFF mode, and when the TWI master is disabled, these pins must be configured in the GPIO peripheral as described in the following table.

Only one peripheral can be assigned to drive a particular GPIO pin at a time. Failing to do so may result in unpredictable behavior.

| TWI master signal | TWI master pin           | Direction | Output value   | Drive strength |
|-------------------|--------------------------|-----------|----------------|----------------|
| SCL               | As specified in PSEL.SCL | Input     | Not applicable | S0D1           |
| SDA               | As specified in PSEL.SDA | Input     | Not applicable | S0D1           |

Table 124: GPIO configuration before enabling peripheral

### 6.31.7 Registers

| Base address | Peripheral | Instance | Description                 | Configuration |
|--------------|------------|----------|-----------------------------|---------------|
| 0x40003000   | TWIM       | TWIM0    | Two-wire interface master 0 |               |
| 0x40004000   | TWIM       | TWIM1    | Two-wire interface master 1 |               |

Table 125: Instances

| Register         | Offset | Description   |
|------------------|--------|---|
| TASKS_STARTRX    | 0x000  | Start TWI receive sequence  |
| TASKS_STARTTX    | 0x008  | Start TWI transmit sequence   |
| TASKS_STOP       | 0x014  | Stop TWI transaction. Must be issued while the TWI master is not suspended. |
| TASKS_SUSPEND    | 0x01C  | Suspend TWI transaction   |
| TASKS_RESUME     | 0x020  | Resume TWI transaction  |
| EVENTS_STOPPED   | 0x104  | TWI stopped   |
| EVENTS_ERROR     | 0x124  | TWI error   |
| EVENTS_SUSPENDED | 0x148  | SUSPEND task has been issued, TWI traffic is now suspended.                 |
| EVENTS_RXSTARTED | 0x14C  | Receive sequence started  |
| EVENTS_TXSTARTED | 0x150  | Transmit sequence started   |
| EVENTS_LASTRX    | 0x15C  | Byte boundary, starting to receive the last byte                            |
| EVENTS_LASTTX    | 0x160  | Byte boundary, starting to transmit the last byte                           |
| SHORTS           | 0x200  | Shortcuts between local events and tasks                                    |
| INTEN            | 0x300  | Enable or disable interrupt   |
| INTENSET         | 0x304  | Enable interrupt  |
| INTENCLR         | 0x308  | Disable interrupt   |
| ERRORSRC         | 0x4C4  | Error source  |
| ENABLE           | 0x500  | Enable TWIM   |
| PSEL.SCL         | 0x508  | Pin select for SCL signal   |
| PSEL.SDA         | 0x50C  | Pin select for SDA signal   |
| FREQUENCY        | 0x524  | TWI frequency. Accuracy depends on the HFCLK source selected.               |
| RXD.PTR          | 0x534  | Data pointer  |
| RXD.MAXCNT       | 0x538  | Maximum number of bytes in receive buffer                                   |
| RXD.AMOUNT       | 0x53C  | Number of bytes transferred in the last transaction                         |
| RXD.LIST         | 0x540  | EasyDMA list type   |
| TXD.PTR          | 0x544  | Data pointer  |
| TXD.MAXCNT       | 0x548  | Maximum number of bytes in transmit buffer                                  |
| TXD.AMOUNT       | 0x54C  | Number of bytes transferred in the last transaction                         |
| TXD.LIST         | 0x550  | EasyDMA list type   |
| ADDRESS          | 0x588  | Address used in the TWI transfer  |

Table 126: Register overview

### 6.31.7.1 TASKS\_STARTRX

Address offset: 0x000

Start TWI receive sequence

| Bit number | 31  | 30            | 29      | 28 | 27    | 26                         | 25 | 24 | 23 | 22 | 21 | 20 | 19 | 18 | 17 | 16 | 15 | 14 | 13 | 12 | 11 | 10 | 9 | 8 | 7 | 6 | 5 | 4 | 3 | 2 | 1 | 0 |
|------------|---|---------------|---------|----|-------|----------------------------|----|----|----|----|----|----|----|----|----|----|----|----|----|----|----|----|---|---|---|---|---|---|---|---|---|---|
| ID         |   |               |         |    |       |                            |    |    |    |    |    |    |    |    |    |    |    |    |    |    |    |    |   |   |   |   |   |   |   |   |   | A |
| Reset      | 0 |               |         |    |       |                            |    |    |    |    |    |    |    |    |    |    |    |    |    |    |    |    |   |   |   |   |   |   |   |   |   |   |
| ID         | Acce  | Field         | Value   | ID | Value | Description                |    |    |    |    |    |    |    |    |    |    |    |    |    |    |    |    |   |   |   |   |   |   |   |   |   |   |
| A          | W   | TASKS_STARTRX |         |    |       | Start TWI receive sequence |    |    |    |    |    |    |    |    |    |    |    |    |    |    |    |    |   |   |   |   |   |   |   |   |   |   |
|            |   |               | Trigger | 1  |       | Trigger task               |    |    |    |    |    |    |    |    |    |    |    |    |    |    |    |    |   |   |   |   |   |   |   |   |   |   |

### 6.31.7.2 TASKS\_STARTTX

Address offset: 0x008

Start TWI transmit sequence

| Bit number       | 31  | 30       | 29    | 28                          | 27 | 26 | 25 | 24 | 23 | 22 | 21 | 20 | 19 | 18 | 17 | 16 | 15 | 14 | 13 | 12 | 11 | 10 | 9 | 8 | 7 | 6 | 5 | 4 | 3 | 2 | 1 | 0 |
|------------------|---|----------|-------|-----------------------------|----|----|----|----|----|----|----|----|----|----|----|----|----|----|----|----|----|----|---|---|---|---|---|---|---|---|---|---|
| ID               |   |          |       |                             |    |    |    |    |    |    |    |    |    |    |    |    |    |    |    |    |    |    |   |   |   |   |   |   |   |   |   | A |
| Reset 0x00000000 | 0 |          |       |                             |    |    |    |    |    |    |    |    |    |    |    |    |    |    |    |    |    |    |   |   |   |   |   |   |   |   |   |   |
| ID               | Acce Field  | Value ID | Value | Description                 |    |    |    |    |    |    |    |    |    |    |    |    |    |    |    |    |    |    |   |   |   |   |   |   |   |   |   |   |
| A                | W TASKS_STARTTX   |          |       | Start TWI transmit sequence |    |    |    |    |    |    |    |    |    |    |    |    |    |    |    |    |    |    |   |   |   |   |   |   |   |   |   |   |
|                  |   | Trigger  | 1     | Trigger task                |    |    |    |    |    |    |    |    |    |    |    |    |    |    |    |    |    |    |   |   |   |   |   |   |   |   |   |   |

### 6.31.7.3 TASKS\_STOP

Address offset: 0x014

Stop TWI transaction. Must be issued while the TWI master is not suspended.

| Bit number       | 31  | 30       | 29    | 28  | 27 | 26 | 25 | 24 | 23 | 22 | 21 | 20 | 19 | 18 | 17 | 16 | 15 | 14 | 13 | 12 | 11 | 10 | 9 | 8 | 7 | 6 | 5 | 4 | 3 | 2 | 1 | 0 |
|------------------|---|----------|-------|---|----|----|----|----|----|----|----|----|----|----|----|----|----|----|----|----|----|----|---|---|---|---|---|---|---|---|---|---|
| ID               |   |          |       |   |    |    |    |    |    |    |    |    |    |    |    |    |    |    |    |    |    |    |   |   |   |   |   |   |   |   |   | A |
| Reset 0x00000000 | 0 |          |       |   |    |    |    |    |    |    |    |    |    |    |    |    |    |    |    |    |    |    |   |   |   |   |   |   |   |   |   |   |
| ID               | Acce Field  | Value ID | Value | Description   |    |    |    |    |    |    |    |    |    |    |    |    |    |    |    |    |    |    |   |   |   |   |   |   |   |   |   |   |
| A                | W TASKS_STOP  |          |       | Stop TWI transaction. Must be issued while the TWI master is not suspended. |    |    |    |    |    |    |    |    |    |    |    |    |    |    |    |    |    |    |   |   |   |   |   |   |   |   |   |   |
|                  |   | Trigger  | 1     | Trigger task  |    |    |    |    |    |    |    |    |    |    |    |    |    |    |    |    |    |    |   |   |   |   |   |   |   |   |   |   |

### 6.31.7.4 TASKS\_SUSPEND

Address offset: 0x01C

Suspend TWI transaction

| Bit number       | 31  | 30       | 29    | 28                      | 27 | 26 | 25 | 24 | 23 | 22 | 21 | 20 | 19 | 18 | 17 | 16 | 15 | 14 | 13 | 12 | 11 | 10 | 9 | 8 | 7 | 6 | 5 | 4 | 3 | 2 | 1 | 0 |
|------------------|---|----------|-------|-------------------------|----|----|----|----|----|----|----|----|----|----|----|----|----|----|----|----|----|----|---|---|---|---|---|---|---|---|---|---|
| ID               |   |          |       |                         |    |    |    |    |    |    |    |    |    |    |    |    |    |    |    |    |    |    |   |   |   |   |   |   |   |   |   | A |
| Reset 0x00000000 | 0 |          |       |                         |    |    |    |    |    |    |    |    |    |    |    |    |    |    |    |    |    |    |   |   |   |   |   |   |   |   |   |   |
| ID               | Acce Field  | Value ID | Value | Description             |    |    |    |    |    |    |    |    |    |    |    |    |    |    |    |    |    |    |   |   |   |   |   |   |   |   |   |   |
| A                | W TASKS_SUSPEND   |          |       | Suspend TWI transaction |    |    |    |    |    |    |    |    |    |    |    |    |    |    |    |    |    |    |   |   |   |   |   |   |   |   |   |   |
|                  |   | Trigger  | 1     | Trigger task            |    |    |    |    |    |    |    |    |    |    |    |    |    |    |    |    |    |    |   |   |   |   |   |   |   |   |   |   |

### 6.31.7.5 TASKS\_RESUME

Address offset: 0x020

Resume TWI transaction

| Bit number       | 31  | 30       | 29    | 28                     | 27 | 26 | 25 | 24 | 23 | 22 | 21 | 20 | 19 | 18 | 17 | 16 | 15 | 14 | 13 | 12 | 11 | 10 | 9 | 8 | 7 | 6 | 5 | 4 | 3 | 2 | 1 | 0 |
|------------------|---|----------|-------|------------------------|----|----|----|----|----|----|----|----|----|----|----|----|----|----|----|----|----|----|---|---|---|---|---|---|---|---|---|---|
| ID               |   |          |       |                        |    |    |    |    |    |    |    |    |    |    |    |    |    |    |    |    |    |    |   |   |   |   |   |   |   |   |   | A |
| Reset 0x00000000 | 0 |          |       |                        |    |    |    |    |    |    |    |    |    |    |    |    |    |    |    |    |    |    |   |   |   |   |   |   |   |   |   |   |
| ID               | Acce Field  | Value ID | Value | Description            |    |    |    |    |    |    |    |    |    |    |    |    |    |    |    |    |    |    |   |   |   |   |   |   |   |   |   |   |
| A                | W TASKS_RESUME  |          |       | Resume TWI transaction |    |    |    |    |    |    |    |    |    |    |    |    |    |    |    |    |    |    |   |   |   |   |   |   |   |   |   |   |
|                  |   | Trigger  | 1     | Trigger task           |    |    |    |    |    |    |    |    |    |    |    |    |    |    |    |    |    |    |   |   |   |   |   |   |   |   |   |   |

### 6.31.7.6 EVENTS\_STOPPED

Address offset: 0x104

TWI stopped

| Bit number | 31 30 29 28 27 26 25 24 23 22 21 20 19 18 17 16 15 14 13 12 11 10 9 8 7 6 5 4 3 2 1 0 |              |       |                     |  |  |  |  |  |  |  |  |  |  |  |  |  |  |  |  |  |  |  |  |  |  |  |  |  |  |  |
|------------|---|--------------|-------|---------------------|--|--|--|--|--|--|--|--|--|--|--|--|--|--|--|--|--|--|--|--|--|--|--|--|--|--|--|
| ID         | A   |              |       |                     |  |  |  |  |  |  |  |  |  |  |  |  |  |  |  |  |  |  |  |  |  |  |  |  |  |  |  |
| Reset      | 0x00000000  |              |       |                     |  |  |  |  |  |  |  |  |  |  |  |  |  |  |  |  |  |  |  |  |  |  |  |  |  |  |  |
|            | 0           |              |       |                     |  |  |  |  |  |  |  |  |  |  |  |  |  |  |  |  |  |  |  |  |  |  |  |  |  |  |  |
| ID         | Acce Field  | Value ID     | Value | Description         |  |  |  |  |  |  |  |  |  |  |  |  |  |  |  |  |  |  |  |  |  |  |  |  |  |  |  |
| A          | RW EVENTS_STOPPED   |              |       | TWI stopped         |  |  |  |  |  |  |  |  |  |  |  |  |  |  |  |  |  |  |  |  |  |  |  |  |  |  |  |
|            |   | NotGenerated | 0     | Event not generated |  |  |  |  |  |  |  |  |  |  |  |  |  |  |  |  |  |  |  |  |  |  |  |  |  |  |  |
|            |   | Generated    | 1     | Event generated     |  |  |  |  |  |  |  |  |  |  |  |  |  |  |  |  |  |  |  |  |  |  |  |  |  |  |  |

### 6.31.7.7 EVENTS\_ERROR

Address offset: 0x124

TWI error

| Bit number | 31 30 29 28 27 26 25 24 23 22 21 20 19 18 17 16 15 14 13 12 11 10 9 8 7 6 5 4 3 2 1 0 |              |       |                     |  |  |  |  |  |  |  |  |  |  |  |  |  |  |  |  |  |  |  |  |  |  |  |  |  |  |  |
|------------|---|--------------|-------|---------------------|--|--|--|--|--|--|--|--|--|--|--|--|--|--|--|--|--|--|--|--|--|--|--|--|--|--|--|
| ID         | A   |              |       |                     |  |  |  |  |  |  |  |  |  |  |  |  |  |  |  |  |  |  |  |  |  |  |  |  |  |  |  |
| Reset      | 0x00000000  |              |       |                     |  |  |  |  |  |  |  |  |  |  |  |  |  |  |  |  |  |  |  |  |  |  |  |  |  |  |  |
|            | 0           |              |       |                     |  |  |  |  |  |  |  |  |  |  |  |  |  |  |  |  |  |  |  |  |  |  |  |  |  |  |  |
| ID         | Acce Field  | Value ID     | Value | Description         |  |  |  |  |  |  |  |  |  |  |  |  |  |  |  |  |  |  |  |  |  |  |  |  |  |  |  |
| A          | RW EVENTS_ERROR   |              |       | TWI error           |  |  |  |  |  |  |  |  |  |  |  |  |  |  |  |  |  |  |  |  |  |  |  |  |  |  |  |
|            |   | NotGenerated | 0     | Event not generated |  |  |  |  |  |  |  |  |  |  |  |  |  |  |  |  |  |  |  |  |  |  |  |  |  |  |  |
|            |   | Generated    | 1     | Event generated     |  |  |  |  |  |  |  |  |  |  |  |  |  |  |  |  |  |  |  |  |  |  |  |  |  |  |  |

### 6.31.7.8 EVENTS\_SUSPENDED

Address offset: 0x148

SUSPEND task has been issued, TWI traffic is now suspended.

| Bit number | 31 30 29 28 27 26 25 24 23 22 21 20 19 18 17 16 15 14 13 12 11 10 9 8 7 6 5 4 3 2 1 0 |              |       |   |  |  |  |  |  |  |  |  |  |  |  |  |  |  |  |  |  |  |  |  |  |  |  |  |  |  |  |
|------------|---|--------------|-------|---|--|--|--|--|--|--|--|--|--|--|--|--|--|--|--|--|--|--|--|--|--|--|--|--|--|--|--|
| ID         | A   |              |       |   |  |  |  |  |  |  |  |  |  |  |  |  |  |  |  |  |  |  |  |  |  |  |  |  |  |  |  |
| Reset      | 0x00000000  |              |       |   |  |  |  |  |  |  |  |  |  |  |  |  |  |  |  |  |  |  |  |  |  |  |  |  |  |  |  |
|            | 0           |              |       |   |  |  |  |  |  |  |  |  |  |  |  |  |  |  |  |  |  |  |  |  |  |  |  |  |  |  |  |
| ID         | Acce Field  | Value ID     | Value | Description   |  |  |  |  |  |  |  |  |  |  |  |  |  |  |  |  |  |  |  |  |  |  |  |  |  |  |  |
| A          | RW EVENTS_SUSPENDED   |              |       | SUSPEND task has been issued, TWI traffic is now suspended. |  |  |  |  |  |  |  |  |  |  |  |  |  |  |  |  |  |  |  |  |  |  |  |  |  |  |  |
|            |   | NotGenerated | 0     | Event not generated   |  |  |  |  |  |  |  |  |  |  |  |  |  |  |  |  |  |  |  |  |  |  |  |  |  |  |  |
|            |   | Generated    | 1     | Event generated   |  |  |  |  |  |  |  |  |  |  |  |  |  |  |  |  |  |  |  |  |  |  |  |  |  |  |  |

### 6.31.7.9 EVENTS\_RXSTARTED

Address offset: 0x14C

Receive sequence started

| Bit number | 31 30 29 28 27 26 25 24 23 22 21 20 19 18 17 16 15 14 13 12 11 10 9 8 7 6 5 4 3 2 1 0 |              |       |                          |  |  |  |  |  |  |  |  |  |  |  |  |  |  |  |  |  |  |  |  |  |  |  |  |  |  |  |
|------------|---|--------------|-------|--------------------------|--|--|--|--|--|--|--|--|--|--|--|--|--|--|--|--|--|--|--|--|--|--|--|--|--|--|--|
| ID         | A   |              |       |                          |  |  |  |  |  |  |  |  |  |  |  |  |  |  |  |  |  |  |  |  |  |  |  |  |  |  |  |
| Reset      | 0x00000000  |              |       |                          |  |  |  |  |  |  |  |  |  |  |  |  |  |  |  |  |  |  |  |  |  |  |  |  |  |  |  |
|            | 0           |              |       |                          |  |  |  |  |  |  |  |  |  |  |  |  |  |  |  |  |  |  |  |  |  |  |  |  |  |  |  |
| ID         | Acce Field  | Value ID     | Value | Description              |  |  |  |  |  |  |  |  |  |  |  |  |  |  |  |  |  |  |  |  |  |  |  |  |  |  |  |
| A          | RW EVENTS_RXSTARTED   |              |       | Receive sequence started |  |  |  |  |  |  |  |  |  |  |  |  |  |  |  |  |  |  |  |  |  |  |  |  |  |  |  |
|            |   | NotGenerated | 0     | Event not generated      |  |  |  |  |  |  |  |  |  |  |  |  |  |  |  |  |  |  |  |  |  |  |  |  |  |  |  |
|            |   | Generated    | 1     | Event generated          |  |  |  |  |  |  |  |  |  |  |  |  |  |  |  |  |  |  |  |  |  |  |  |  |  |  |  |

### 6.31.7.10 EVENTS\_TXSTARTED

Address offset: 0x150

Transmit sequence started



| Bit number       | 31  | 30           | 29    | 28                        | 27 | 26 | 25 | 24 | 23 | 22 | 21 | 20 | 19 | 18 | 17 | 16 | 15 | 14 | 13 | 12 | 11 | 10 | 9 | 8 | 7 | 6 | 5 | 4 | 3 | 2 | 1 | 0 |
|------------------|---|--------------|-------|---------------------------|----|----|----|----|----|----|----|----|----|----|----|----|----|----|----|----|----|----|---|---|---|---|---|---|---|---|---|---|
| ID               |   |              |       |                           |    |    |    |    |    |    |    |    |    |    |    |    |    |    |    |    |    |    |   |   |   |   |   |   |   |   |   | A |
| Reset 0x00000000 | 0 |              |       |                           |    |    |    |    |    |    |    |    |    |    |    |    |    |    |    |    |    |    |   |   |   |   |   |   |   |   |   |   |
| ID               | Acce Field  | Value ID     | Value | Description               |    |    |    |    |    |    |    |    |    |    |    |    |    |    |    |    |    |    |   |   |   |   |   |   |   |   |   |   |
| A                | RW EVENTS_TXSTARTED   |              |       | Transmit sequence started |    |    |    |    |    |    |    |    |    |    |    |    |    |    |    |    |    |    |   |   |   |   |   |   |   |   |   |   |
|                  |   | NotGenerated | 0     | Event not generated       |    |    |    |    |    |    |    |    |    |    |    |    |    |    |    |    |    |    |   |   |   |   |   |   |   |   |   |   |
|                  |   | Generated    | 1     | Event generated           |    |    |    |    |    |    |    |    |    |    |    |    |    |    |    |    |    |    |   |   |   |   |   |   |   |   |   |   |

### 6.31.7.11 EVENTS\_LASTRX

Address offset: 0x15C

Byte boundary, starting to receive the last byte

| Bit number       | 31  | 30           | 29    | 28   | 27 | 26 | 25 | 24 | 23 | 22 | 21 | 20 | 19 | 18 | 17 | 16 | 15 | 14 | 13 | 12 | 11 | 10 | 9 | 8 | 7 | 6 | 5 | 4 | 3 | 2 | 1 | 0 |
|------------------|---|--------------|-------|--|----|----|----|----|----|----|----|----|----|----|----|----|----|----|----|----|----|----|---|---|---|---|---|---|---|---|---|---|
| ID               |   |              |       |  |    |    |    |    |    |    |    |    |    |    |    |    |    |    |    |    |    |    |   |   |   |   |   |   |   |   |   | A |
| Reset 0x00000000 | 0 |              |       |  |    |    |    |    |    |    |    |    |    |    |    |    |    |    |    |    |    |    |   |   |   |   |   |   |   |   |   |   |
| ID               | Acce Field  | Value ID     | Value | Description                                      |    |    |    |    |    |    |    |    |    |    |    |    |    |    |    |    |    |    |   |   |   |   |   |   |   |   |   |   |
| A                | RW EVENTS_LASTRX  |              |       | Byte boundary, starting to receive the last byte |    |    |    |    |    |    |    |    |    |    |    |    |    |    |    |    |    |    |   |   |   |   |   |   |   |   |   |   |
|                  |   | NotGenerated | 0     | Event not generated                              |    |    |    |    |    |    |    |    |    |    |    |    |    |    |    |    |    |    |   |   |   |   |   |   |   |   |   |   |
|                  |   | Generated    | 1     | Event generated                                  |    |    |    |    |    |    |    |    |    |    |    |    |    |    |    |    |    |    |   |   |   |   |   |   |   |   |   |   |

### 6.31.7.12 EVENTS\_LASTTX

Address offset: 0x160

Byte boundary, starting to transmit the last byte

| Bit number       | 31  | 30           | 29    | 28  | 27 | 26 | 25 | 24 | 23 | 22 | 21 | 20 | 19 | 18 | 17 | 16 | 15 | 14 | 13 | 12 | 11 | 10 | 9 | 8 | 7 | 6 | 5 | 4 | 3 | 2 | 1 | 0 |
|------------------|---|--------------|-------|---|----|----|----|----|----|----|----|----|----|----|----|----|----|----|----|----|----|----|---|---|---|---|---|---|---|---|---|---|
| ID               |   |              |       |   |    |    |    |    |    |    |    |    |    |    |    |    |    |    |    |    |    |    |   |   |   |   |   |   |   |   |   | A |
| Reset 0x00000000 | 0 |              |       |   |    |    |    |    |    |    |    |    |    |    |    |    |    |    |    |    |    |    |   |   |   |   |   |   |   |   |   |   |
| ID               | Acce Field  | Value ID     | Value | Description                                       |    |    |    |    |    |    |    |    |    |    |    |    |    |    |    |    |    |    |   |   |   |   |   |   |   |   |   |   |
| A                | RW EVENTS_LASTTX  |              |       | Byte boundary, starting to transmit the last byte |    |    |    |    |    |    |    |    |    |    |    |    |    |    |    |    |    |    |   |   |   |   |   |   |   |   |   |   |
|                  |   | NotGenerated | 0     | Event not generated                               |    |    |    |    |    |    |    |    |    |    |    |    |    |    |    |    |    |    |   |   |   |   |   |   |   |   |   |   |
|                  |   | Generated    | 1     | Event generated                                   |    |    |    |    |    |    |    |    |    |    |    |    |    |    |    |    |    |    |   |   |   |   |   |   |   |   |   |   |

### 6.31.7.13 SHORTS

Address offset: 0x200

Shortcuts between local events and tasks

| Bit number       | 31  | 30       | 29    | 28   | 27 | 26 | 25 | 24 | 23 | 22 | 21 | 20 | 19 | 18 | 17 | 16 | 15 | 14 | 13 | 12 | 11 | 10 | 9 | 8 | 7 | 6 | 5 | 4 | 3 | 2 | 1 | 0 |  |  |  |  |  |
|------------------|---|----------|-------|--|----|----|----|----|----|----|----|----|----|----|----|----|----|----|----|----|----|----|---|---|---|---|---|---|---|---|---|---|--|--|--|--|--|
| ID               |   |          |       |  |    |    |    |    |    |    |    |    |    |    |    |    |    |    |    |    |    | F  | E | D | C | B | A |   |   |   |   |   |  |  |  |  |  |
| Reset 0x00000000 | 0 |          |       |  |    |    |    |    |    |    |    |    |    |    |    |    |    |    |    |    |    |    |   |   |   |   |   |   |   |   |   |   |  |  |  |  |  |
| ID               | Acce Field  | Value ID | Value | Description  |    |    |    |    |    |    |    |    |    |    |    |    |    |    |    |    |    |    |   |   |   |   |   |   |   |   |   |   |  |  |  |  |  |
| A                | RW LASTTX_STARTRX   |          |       | Shortcut between event <a href="#">LASTTX</a> and task <a href="#">STARTRX</a> |    |    |    |    |    |    |    |    |    |    |    |    |    |    |    |    |    |    |   |   |   |   |   |   |   |   |   |   |  |  |  |  |  |
|                  |   | Disabled | 0     | Disable shortcut   |    |    |    |    |    |    |    |    |    |    |    |    |    |    |    |    |    |    |   |   |   |   |   |   |   |   |   |   |  |  |  |  |  |
|                  |   | Enabled  | 1     | Enable shortcut  |    |    |    |    |    |    |    |    |    |    |    |    |    |    |    |    |    |    |   |   |   |   |   |   |   |   |   |   |  |  |  |  |  |
| B                | RW LASTTX_SUSPEND   |          |       | Shortcut between event <a href="#">LASTTX</a> and task <a href="#">SUSPEND</a> |    |    |    |    |    |    |    |    |    |    |    |    |    |    |    |    |    |    |   |   |   |   |   |   |   |   |   |   |  |  |  |  |  |
|                  |   | Disabled | 0     | Disable shortcut   |    |    |    |    |    |    |    |    |    |    |    |    |    |    |    |    |    |    |   |   |   |   |   |   |   |   |   |   |  |  |  |  |  |
|                  |   | Enabled  | 1     | Enable shortcut  |    |    |    |    |    |    |    |    |    |    |    |    |    |    |    |    |    |    |   |   |   |   |   |   |   |   |   |   |  |  |  |  |  |
| C                | RW LASTTX_STOP  |          |       | Shortcut between event <a href="#">LASTTX</a> and task <a href="#">STOP</a>    |    |    |    |    |    |    |    |    |    |    |    |    |    |    |    |    |    |    |   |   |   |   |   |   |   |   |   |   |  |  |  |  |  |
|                  |   | Disabled | 0     | Disable shortcut   |    |    |    |    |    |    |    |    |    |    |    |    |    |    |    |    |    |    |   |   |   |   |   |   |   |   |   |   |  |  |  |  |  |
|                  |   | Enabled  | 1     | Enable shortcut  |    |    |    |    |    |    |    |    |    |    |    |    |    |    |    |    |    |    |   |   |   |   |   |   |   |   |   |   |  |  |  |  |  |

| Bit number              | 31 30 29 28 27 26 25 24 23 22 21 20 19 18 17 16 15 14 13 12 11 10 9 8 7 6 5 4 3 2 1 0 |                |          |    |       |  |  |  |  |   |  |  |  |  |  |  |  |  |  |  |  |  |  |  |  |  |  |  |  |  |   |   |   |   |   |   |
|-------------------------|---|----------------|----------|----|-------|--|--|--|--|---|--|--|--|--|--|--|--|--|--|--|--|--|--|--|--|--|--|--|--|--|---|---|---|---|---|---|
| ID                      |   |                |          |    |       |  |  |  |  |   |  |  |  |  |  |  |  |  |  |  |  |  |  |  |  |  |  |  |  |  | F | E | D | C | B | A |
| <b>Reset 0x00000000</b> |   |                |          |    |       |  |  |  |  | 0 |  |  |  |  |  |  |  |  |  |  |  |  |  |  |  |  |  |  |  |  |   |   |   |   |   |   |
| ID                      | Acce  | Field          | Value    | ID | Value | Description  |  |  |  |   |  |  |  |  |  |  |  |  |  |  |  |  |  |  |  |  |  |  |  |  |   |   |   |   |   |   |
| D                       | RW  | LASTRX_STARTTX |          |    |       | Shortcut between event <a href="#">LASTRX</a> and task <a href="#">STARTTX</a> |  |  |  |   |  |  |  |  |  |  |  |  |  |  |  |  |  |  |  |  |  |  |  |  |   |   |   |   |   |   |
|                         |   |                | Disabled | 0  |       | Disable shortcut   |  |  |  |   |  |  |  |  |  |  |  |  |  |  |  |  |  |  |  |  |  |  |  |  |   |   |   |   |   |   |
|                         |   |                | Enabled  | 1  |       | Enable shortcut  |  |  |  |   |  |  |  |  |  |  |  |  |  |  |  |  |  |  |  |  |  |  |  |  |   |   |   |   |   |   |
| E                       | RW  | LASTRX_SUSPEND |          |    |       | Shortcut between event <a href="#">LASTRX</a> and task <a href="#">SUSPEND</a> |  |  |  |   |  |  |  |  |  |  |  |  |  |  |  |  |  |  |  |  |  |  |  |  |   |   |   |   |   |   |
|                         |   |                | Disabled | 0  |       | Disable shortcut   |  |  |  |   |  |  |  |  |  |  |  |  |  |  |  |  |  |  |  |  |  |  |  |  |   |   |   |   |   |   |
|                         |   |                | Enabled  | 1  |       | Enable shortcut  |  |  |  |   |  |  |  |  |  |  |  |  |  |  |  |  |  |  |  |  |  |  |  |  |   |   |   |   |   |   |
| F                       | RW  | LASTRX_STOP    |          |    |       | Shortcut between event <a href="#">LASTRX</a> and task <a href="#">STOP</a>    |  |  |  |   |  |  |  |  |  |  |  |  |  |  |  |  |  |  |  |  |  |  |  |  |   |   |   |   |   |   |
|                         |   |                | Disabled | 0  |       | Disable shortcut   |  |  |  |   |  |  |  |  |  |  |  |  |  |  |  |  |  |  |  |  |  |  |  |  |   |   |   |   |   |   |
|                         |   |                | Enabled  | 1  |       | Enable shortcut  |  |  |  |   |  |  |  |  |  |  |  |  |  |  |  |  |  |  |  |  |  |  |  |  |   |   |   |   |   |   |

### 6.31.7.14 INTEN

Address offset: 0x300

Enable or disable interrupt

| Bit number              | 31 30 29 28 27 26 25 24 23 22 21 20 19 18 17 16 15 14 13 12 11 10 9 8 7 6 5 4 3 2 1 0 |           |          |    |       |   |  |  |  |   |  |  |  |  |  |  |  |  |  |  |  |  |  |  |  |  |  |  |   |   |       |  |  |   |  |  |   |  |  |
|-------------------------|---|-----------|----------|----|-------|---|--|--|--|---|--|--|--|--|--|--|--|--|--|--|--|--|--|--|--|--|--|--|---|---|-------|--|--|---|--|--|---|--|--|
| ID                      |   |           |          |    |       |   |  |  |  |   |  |  |  |  |  |  |  |  |  |  |  |  |  |  |  |  |  |  | J | I | H G F |  |  | D |  |  | A |  |  |
| <b>Reset 0x00000000</b> |   |           |          |    |       |   |  |  |  | 0 |  |  |  |  |  |  |  |  |  |  |  |  |  |  |  |  |  |  |   |   |       |  |  |   |  |  |   |  |  |
| ID                      | Acce  | Field     | Value    | ID | Value | Description   |  |  |  |   |  |  |  |  |  |  |  |  |  |  |  |  |  |  |  |  |  |  |   |   |       |  |  |   |  |  |   |  |  |
| A                       | RW  | STOPPED   |          |    |       | Enable or disable interrupt for event <a href="#">STOPPED</a>   |  |  |  |   |  |  |  |  |  |  |  |  |  |  |  |  |  |  |  |  |  |  |   |   |       |  |  |   |  |  |   |  |  |
|                         |   |           | Disabled | 0  |       | Disable   |  |  |  |   |  |  |  |  |  |  |  |  |  |  |  |  |  |  |  |  |  |  |   |   |       |  |  |   |  |  |   |  |  |
|                         |   |           | Enabled  | 1  |       | Enable  |  |  |  |   |  |  |  |  |  |  |  |  |  |  |  |  |  |  |  |  |  |  |   |   |       |  |  |   |  |  |   |  |  |
| D                       | RW  | ERROR     |          |    |       | Enable or disable interrupt for event <a href="#">ERROR</a>     |  |  |  |   |  |  |  |  |  |  |  |  |  |  |  |  |  |  |  |  |  |  |   |   |       |  |  |   |  |  |   |  |  |
|                         |   |           | Disabled | 0  |       | Disable   |  |  |  |   |  |  |  |  |  |  |  |  |  |  |  |  |  |  |  |  |  |  |   |   |       |  |  |   |  |  |   |  |  |
|                         |   |           | Enabled  | 1  |       | Enable  |  |  |  |   |  |  |  |  |  |  |  |  |  |  |  |  |  |  |  |  |  |  |   |   |       |  |  |   |  |  |   |  |  |
| F                       | RW  | SUSPENDED |          |    |       | Enable or disable interrupt for event <a href="#">SUSPENDED</a> |  |  |  |   |  |  |  |  |  |  |  |  |  |  |  |  |  |  |  |  |  |  |   |   |       |  |  |   |  |  |   |  |  |
|                         |   |           | Disabled | 0  |       | Disable   |  |  |  |   |  |  |  |  |  |  |  |  |  |  |  |  |  |  |  |  |  |  |   |   |       |  |  |   |  |  |   |  |  |
|                         |   |           | Enabled  | 1  |       | Enable  |  |  |  |   |  |  |  |  |  |  |  |  |  |  |  |  |  |  |  |  |  |  |   |   |       |  |  |   |  |  |   |  |  |
| G                       | RW  | RXSTARTED |          |    |       | Enable or disable interrupt for event <a href="#">RXSTARTED</a> |  |  |  |   |  |  |  |  |  |  |  |  |  |  |  |  |  |  |  |  |  |  |   |   |       |  |  |   |  |  |   |  |  |
|                         |   |           | Disabled | 0  |       | Disable   |  |  |  |   |  |  |  |  |  |  |  |  |  |  |  |  |  |  |  |  |  |  |   |   |       |  |  |   |  |  |   |  |  |
|                         |   |           | Enabled  | 1  |       | Enable  |  |  |  |   |  |  |  |  |  |  |  |  |  |  |  |  |  |  |  |  |  |  |   |   |       |  |  |   |  |  |   |  |  |
| H                       | RW  | TXSTARTED |          |    |       | Enable or disable interrupt for event <a href="#">TXSTARTED</a> |  |  |  |   |  |  |  |  |  |  |  |  |  |  |  |  |  |  |  |  |  |  |   |   |       |  |  |   |  |  |   |  |  |
|                         |   |           | Disabled | 0  |       | Disable   |  |  |  |   |  |  |  |  |  |  |  |  |  |  |  |  |  |  |  |  |  |  |   |   |       |  |  |   |  |  |   |  |  |
|                         |   |           | Enabled  | 1  |       | Enable  |  |  |  |   |  |  |  |  |  |  |  |  |  |  |  |  |  |  |  |  |  |  |   |   |       |  |  |   |  |  |   |  |  |
| I                       | RW  | LASTRX    |          |    |       | Enable or disable interrupt for event <a href="#">LASTRX</a>    |  |  |  |   |  |  |  |  |  |  |  |  |  |  |  |  |  |  |  |  |  |  |   |   |       |  |  |   |  |  |   |  |  |
|                         |   |           | Disabled | 0  |       | Disable   |  |  |  |   |  |  |  |  |  |  |  |  |  |  |  |  |  |  |  |  |  |  |   |   |       |  |  |   |  |  |   |  |  |
|                         |   |           | Enabled  | 1  |       | Enable  |  |  |  |   |  |  |  |  |  |  |  |  |  |  |  |  |  |  |  |  |  |  |   |   |       |  |  |   |  |  |   |  |  |
| J                       | RW  | LASTTX    |          |    |       | Enable or disable interrupt for event <a href="#">LASTTX</a>    |  |  |  |   |  |  |  |  |  |  |  |  |  |  |  |  |  |  |  |  |  |  |   |   |       |  |  |   |  |  |   |  |  |
|                         |   |           | Disabled | 0  |       | Disable   |  |  |  |   |  |  |  |  |  |  |  |  |  |  |  |  |  |  |  |  |  |  |   |   |       |  |  |   |  |  |   |  |  |
|                         |   |           | Enabled  | 1  |       | Enable  |  |  |  |   |  |  |  |  |  |  |  |  |  |  |  |  |  |  |  |  |  |  |   |   |       |  |  |   |  |  |   |  |  |

### 6.31.7.15 INTENSET

Address offset: 0x304

Enable interrupt

| Bit number       |              | 31 30 29 28 27 26 25 24 23 22 21 20 19 18 17 16 15 14 13 12 11 10 9 8 7 6 5 4 3 2 1 0 |       |  |  |  |  |  |  |  |  |  |  |   |  |  |  |  |  |  |  |  |  |  |  |   |  |  |  |
|------------------|--------------|---|-------|--|--|--|--|--|--|--|--|--|--|---|--|--|--|--|--|--|--|--|--|--|--|---|--|--|--|
| ID               |              | J I H G F   |       |  |  |  |  |  |  |  |  |  |  | D |  |  |  |  |  |  |  |  |  |  |  | A |  |  |  |
| Reset 0x00000000 |              | 0                       |       |  |  |  |  |  |  |  |  |  |  |   |  |  |  |  |  |  |  |  |  |  |  |   |  |  |  |
| ID               | Acce Field   | Value ID  | Value | Description  |  |  |  |  |  |  |  |  |  |   |  |  |  |  |  |  |  |  |  |  |  |   |  |  |  |
| A                | RW STOPPED   |   |       | Write '1' to enable interrupt for event <b>STOPPED</b> |  |  |  |  |  |  |  |  |  |   |  |  |  |  |  |  |  |  |  |  |  |   |  |  |  |
|                  |              | Set   | 1     | Enable   |  |  |  |  |  |  |  |  |  |   |  |  |  |  |  |  |  |  |  |  |  |   |  |  |  |
|                  |              | Disabled  | 0     | Read: Disabled   |  |  |  |  |  |  |  |  |  |   |  |  |  |  |  |  |  |  |  |  |  |   |  |  |  |
| D                | RW ERROR     | Enabled   | 1     | Read: Enabled  |  |  |  |  |  |  |  |  |  |   |  |  |  |  |  |  |  |  |  |  |  |   |  |  |  |
|                  |              | Set   | 1     | Enable   |  |  |  |  |  |  |  |  |  |   |  |  |  |  |  |  |  |  |  |  |  |   |  |  |  |
|                  |              | Disabled  | 0     | Read: Disabled   |  |  |  |  |  |  |  |  |  |   |  |  |  |  |  |  |  |  |  |  |  |   |  |  |  |
| F                | RW SUSPENDED | Enabled   | 1     | Read: Enabled  |  |  |  |  |  |  |  |  |  |   |  |  |  |  |  |  |  |  |  |  |  |   |  |  |  |
|                  |              | Set   | 1     | Enable   |  |  |  |  |  |  |  |  |  |   |  |  |  |  |  |  |  |  |  |  |  |   |  |  |  |
|                  |              | Disabled  | 0     | Read: Disabled   |  |  |  |  |  |  |  |  |  |   |  |  |  |  |  |  |  |  |  |  |  |   |  |  |  |
| G                | RW RXSTARTED | Enabled   | 1     | Read: Enabled  |  |  |  |  |  |  |  |  |  |   |  |  |  |  |  |  |  |  |  |  |  |   |  |  |  |
|                  |              | Set   | 1     | Enable   |  |  |  |  |  |  |  |  |  |   |  |  |  |  |  |  |  |  |  |  |  |   |  |  |  |
|                  |              | Disabled  | 0     | Read: Disabled   |  |  |  |  |  |  |  |  |  |   |  |  |  |  |  |  |  |  |  |  |  |   |  |  |  |
| H                | RW TXSTARTED | Enabled   | 1     | Read: Enabled  |  |  |  |  |  |  |  |  |  |   |  |  |  |  |  |  |  |  |  |  |  |   |  |  |  |
|                  |              | Set   | 1     | Enable   |  |  |  |  |  |  |  |  |  |   |  |  |  |  |  |  |  |  |  |  |  |   |  |  |  |
|                  |              | Disabled  | 0     | Read: Disabled   |  |  |  |  |  |  |  |  |  |   |  |  |  |  |  |  |  |  |  |  |  |   |  |  |  |
| I                | RW LASTRX    | Enabled   | 1     | Read: Enabled  |  |  |  |  |  |  |  |  |  |   |  |  |  |  |  |  |  |  |  |  |  |   |  |  |  |
|                  |              | Set   | 1     | Enable   |  |  |  |  |  |  |  |  |  |   |  |  |  |  |  |  |  |  |  |  |  |   |  |  |  |
|                  |              | Disabled  | 0     | Read: Disabled   |  |  |  |  |  |  |  |  |  |   |  |  |  |  |  |  |  |  |  |  |  |   |  |  |  |
| J                | RW LASTTX    | Enabled   | 1     | Read: Enabled  |  |  |  |  |  |  |  |  |  |   |  |  |  |  |  |  |  |  |  |  |  |   |  |  |  |
|                  |              | Set   | 1     | Enable   |  |  |  |  |  |  |  |  |  |   |  |  |  |  |  |  |  |  |  |  |  |   |  |  |  |
|                  |              | Disabled  | 0     | Read: Disabled   |  |  |  |  |  |  |  |  |  |   |  |  |  |  |  |  |  |  |  |  |  |   |  |  |  |

### 6.31.7.16 INTENCLR

Address offset: 0x308

Disable interrupt

| Bit number       |              | 31 30 29 28 27 26 25 24 23 22 21 20 19 18 17 16 15 14 13 12 11 10 9 8 7 6 5 4 3 2 1 0 |       |   |  |  |  |  |  |  |  |  |  |   |  |  |  |  |  |  |  |  |  |  |  |   |  |  |  |
|------------------|--------------|---|-------|---|--|--|--|--|--|--|--|--|--|---|--|--|--|--|--|--|--|--|--|--|--|---|--|--|--|
| ID               |              | J I H G F   |       |   |  |  |  |  |  |  |  |  |  | D |  |  |  |  |  |  |  |  |  |  |  | A |  |  |  |
| Reset 0x00000000 |              | 0                       |       |   |  |  |  |  |  |  |  |  |  |   |  |  |  |  |  |  |  |  |  |  |  |   |  |  |  |
| ID               | Acce Field   | Value ID  | Value | Description   |  |  |  |  |  |  |  |  |  |   |  |  |  |  |  |  |  |  |  |  |  |   |  |  |  |
| A                | RW STOPPED   |   |       | Write '1' to disable interrupt for event <b>STOPPED</b> |  |  |  |  |  |  |  |  |  |   |  |  |  |  |  |  |  |  |  |  |  |   |  |  |  |
|                  |              | Clear   | 1     | Disable   |  |  |  |  |  |  |  |  |  |   |  |  |  |  |  |  |  |  |  |  |  |   |  |  |  |
|                  |              | Disabled  | 0     | Read: Disabled  |  |  |  |  |  |  |  |  |  |   |  |  |  |  |  |  |  |  |  |  |  |   |  |  |  |
| D                | RW ERROR     | Enabled   | 1     | Read: Enabled   |  |  |  |  |  |  |  |  |  |   |  |  |  |  |  |  |  |  |  |  |  |   |  |  |  |
|                  |              | Clear   | 1     | Disable   |  |  |  |  |  |  |  |  |  |   |  |  |  |  |  |  |  |  |  |  |  |   |  |  |  |
|                  |              | Disabled  | 0     | Read: Disabled  |  |  |  |  |  |  |  |  |  |   |  |  |  |  |  |  |  |  |  |  |  |   |  |  |  |
| F                | RW SUSPENDED | Enabled   | 1     | Read: Enabled   |  |  |  |  |  |  |  |  |  |   |  |  |  |  |  |  |  |  |  |  |  |   |  |  |  |
|                  |              | Clear   | 1     | Disable   |  |  |  |  |  |  |  |  |  |   |  |  |  |  |  |  |  |  |  |  |  |   |  |  |  |
|                  |              | Disabled  | 0     | Read: Disabled  |  |  |  |  |  |  |  |  |  |   |  |  |  |  |  |  |  |  |  |  |  |   |  |  |  |

| Bit number       |              | 31 30 29 28 27 26 25 24 23 22 21 20 19 18 17 16 15 14 13 12 11 10 9 8 7 6 5 4 3 2 1 0 |       |  |  |  |  |  |  |  |  |  |  |  |  |  |  |   |  |  |  |  |  |  |  |  |  |  |  |  |  |  |  |   |
|------------------|--------------|---|-------|--|--|--|--|--|--|--|--|--|--|--|--|--|--|---|--|--|--|--|--|--|--|--|--|--|--|--|--|--|--|---|
| ID               |              | J I H G F   |       |  |  |  |  |  |  |  |  |  |  |  |  |  |  | D |  |  |  |  |  |  |  |  |  |  |  |  |  |  |  | A |
| Reset 0x00000000 |              | 0       |       |  |  |  |  |  |  |  |  |  |  |  |  |  |  |   |  |  |  |  |  |  |  |  |  |  |  |  |  |  |  |   |
| ID               | Acce Field   | Value ID  | Value | Description  |  |  |  |  |  |  |  |  |  |  |  |  |  |   |  |  |  |  |  |  |  |  |  |  |  |  |  |  |  |   |
|                  |              | Enabled   | 1     | Read: Enabled  |  |  |  |  |  |  |  |  |  |  |  |  |  |   |  |  |  |  |  |  |  |  |  |  |  |  |  |  |  |   |
| G                | RW RXSTARTED |   |       | Write '1' to disable interrupt for event <a href="#">RXSTARTED</a> |  |  |  |  |  |  |  |  |  |  |  |  |  |   |  |  |  |  |  |  |  |  |  |  |  |  |  |  |  |   |
|                  |              | Clear   | 1     | Disable  |  |  |  |  |  |  |  |  |  |  |  |  |  |   |  |  |  |  |  |  |  |  |  |  |  |  |  |  |  |   |
|                  |              | Disabled  | 0     | Read: Disabled   |  |  |  |  |  |  |  |  |  |  |  |  |  |   |  |  |  |  |  |  |  |  |  |  |  |  |  |  |  |   |
|                  |              | Enabled   | 1     | Read: Enabled  |  |  |  |  |  |  |  |  |  |  |  |  |  |   |  |  |  |  |  |  |  |  |  |  |  |  |  |  |  |   |
| H                | RW TXSTARTED |   |       | Write '1' to disable interrupt for event <a href="#">TXSTARTED</a> |  |  |  |  |  |  |  |  |  |  |  |  |  |   |  |  |  |  |  |  |  |  |  |  |  |  |  |  |  |   |
|                  |              | Clear   | 1     | Disable  |  |  |  |  |  |  |  |  |  |  |  |  |  |   |  |  |  |  |  |  |  |  |  |  |  |  |  |  |  |   |
|                  |              | Disabled  | 0     | Read: Disabled   |  |  |  |  |  |  |  |  |  |  |  |  |  |   |  |  |  |  |  |  |  |  |  |  |  |  |  |  |  |   |
|                  |              | Enabled   | 1     | Read: Enabled  |  |  |  |  |  |  |  |  |  |  |  |  |  |   |  |  |  |  |  |  |  |  |  |  |  |  |  |  |  |   |
| I                | RW LASTRX    |   |       | Write '1' to disable interrupt for event <a href="#">LASTRX</a>    |  |  |  |  |  |  |  |  |  |  |  |  |  |   |  |  |  |  |  |  |  |  |  |  |  |  |  |  |  |   |
|                  |              | Clear   | 1     | Disable  |  |  |  |  |  |  |  |  |  |  |  |  |  |   |  |  |  |  |  |  |  |  |  |  |  |  |  |  |  |   |
|                  |              | Disabled  | 0     | Read: Disabled   |  |  |  |  |  |  |  |  |  |  |  |  |  |   |  |  |  |  |  |  |  |  |  |  |  |  |  |  |  |   |
|                  |              | Enabled   | 1     | Read: Enabled  |  |  |  |  |  |  |  |  |  |  |  |  |  |   |  |  |  |  |  |  |  |  |  |  |  |  |  |  |  |   |
| J                | RW LASTTX    |   |       | Write '1' to disable interrupt for event <a href="#">LASTTX</a>    |  |  |  |  |  |  |  |  |  |  |  |  |  |   |  |  |  |  |  |  |  |  |  |  |  |  |  |  |  |   |
|                  |              | Clear   | 1     | Disable  |  |  |  |  |  |  |  |  |  |  |  |  |  |   |  |  |  |  |  |  |  |  |  |  |  |  |  |  |  |   |
|                  |              | Disabled  | 0     | Read: Disabled   |  |  |  |  |  |  |  |  |  |  |  |  |  |   |  |  |  |  |  |  |  |  |  |  |  |  |  |  |  |   |
|                  |              | Enabled   | 1     | Read: Enabled  |  |  |  |  |  |  |  |  |  |  |  |  |  |   |  |  |  |  |  |  |  |  |  |  |  |  |  |  |  |   |

### 6.31.7.17 ERRORSRC

Address offset: 0x4C4

Error source

| Bit number       |            | 31 30 29 28 27 26 25 24 23 22 21 20 19 18 17 16 15 14 13 12 11 10 9 8 7 6 5 4 3 2 1 0 |       |   |  |  |  |  |  |  |  |  |  |  |  |  |  |  |  |  |  |  |  |  |  |  |  |  |  |  |  |  |  |       |
|------------------|------------|---|-------|---|--|--|--|--|--|--|--|--|--|--|--|--|--|--|--|--|--|--|--|--|--|--|--|--|--|--|--|--|--|-------|
| ID               |            |   |       |   |  |  |  |  |  |  |  |  |  |  |  |  |  |  |  |  |  |  |  |  |  |  |  |  |  |  |  |  |  | C B A |
| Reset 0x00000000 |            | 0       |       |   |  |  |  |  |  |  |  |  |  |  |  |  |  |  |  |  |  |  |  |  |  |  |  |  |  |  |  |  |  |       |
| ID               | Acce Field | Value ID  | Value | Description   |  |  |  |  |  |  |  |  |  |  |  |  |  |  |  |  |  |  |  |  |  |  |  |  |  |  |  |  |  |       |
| A                | RW OVERRUN |   |       | Overrun error   |  |  |  |  |  |  |  |  |  |  |  |  |  |  |  |  |  |  |  |  |  |  |  |  |  |  |  |  |  |       |
|                  |            |   |       | A new byte was received before previous byte got transferred into RXD buffer. (Previous data is lost) |  |  |  |  |  |  |  |  |  |  |  |  |  |  |  |  |  |  |  |  |  |  |  |  |  |  |  |  |  |       |
|                  |            | NotReceived   | 0     | Error did not occur   |  |  |  |  |  |  |  |  |  |  |  |  |  |  |  |  |  |  |  |  |  |  |  |  |  |  |  |  |  |       |
|                  |            | Received  | 1     | Error occurred  |  |  |  |  |  |  |  |  |  |  |  |  |  |  |  |  |  |  |  |  |  |  |  |  |  |  |  |  |  |       |
| B                | RW ANACK   |   |       | NACK received after sending the address (write '1' to clear)  |  |  |  |  |  |  |  |  |  |  |  |  |  |  |  |  |  |  |  |  |  |  |  |  |  |  |  |  |  |       |
|                  |            | NotReceived   | 0     | Error did not occur   |  |  |  |  |  |  |  |  |  |  |  |  |  |  |  |  |  |  |  |  |  |  |  |  |  |  |  |  |  |       |
|                  |            | Received  | 1     | Error occurred  |  |  |  |  |  |  |  |  |  |  |  |  |  |  |  |  |  |  |  |  |  |  |  |  |  |  |  |  |  |       |
|                  |            |   |       | NACK received after sending a data byte (write '1' to clear)  |  |  |  |  |  |  |  |  |  |  |  |  |  |  |  |  |  |  |  |  |  |  |  |  |  |  |  |  |  |       |
| C                | RW DNACK   |   |       | NACK received after sending a data byte (write '1' to clear)  |  |  |  |  |  |  |  |  |  |  |  |  |  |  |  |  |  |  |  |  |  |  |  |  |  |  |  |  |  |       |
|                  |            | NotReceived   | 0     | Error did not occur   |  |  |  |  |  |  |  |  |  |  |  |  |  |  |  |  |  |  |  |  |  |  |  |  |  |  |  |  |  |       |
|                  |            | Received  | 1     | Error occurred  |  |  |  |  |  |  |  |  |  |  |  |  |  |  |  |  |  |  |  |  |  |  |  |  |  |  |  |  |  |       |
|                  |            |   |       |   |  |  |  |  |  |  |  |  |  |  |  |  |  |  |  |  |  |  |  |  |  |  |  |  |  |  |  |  |  |       |

### 6.31.7.18 ENABLE

Address offset: 0x500

Enable TWIM

| Bit number              | 31 30 29 28 27 26 25 24 23 22 21 20 19 18 17 16 15 14 13 12 11 10 9 8 7 6 5 4 3 2 1 0 |          |       |                        |  |  |  |  |  |  |  |  |  |  |  |  |  |  |  |  |  |  |  |  |  |  |  |  |  |  |   |   |   |   |
|-------------------------|---|----------|-------|------------------------|--|--|--|--|--|--|--|--|--|--|--|--|--|--|--|--|--|--|--|--|--|--|--|--|--|--|---|---|---|---|
| ID                      |   |          |       |                        |  |  |  |  |  |  |  |  |  |  |  |  |  |  |  |  |  |  |  |  |  |  |  |  |  |  | A | A | A | A |
| <b>Reset 0x00000000</b> | <b>0 0</b>    |          |       |                        |  |  |  |  |  |  |  |  |  |  |  |  |  |  |  |  |  |  |  |  |  |  |  |  |  |  |   |   |   |   |
| ID                      | Acce Field  | Value ID | Value | Description            |  |  |  |  |  |  |  |  |  |  |  |  |  |  |  |  |  |  |  |  |  |  |  |  |  |  |   |   |   |   |
| A                       | RW ENABLE   |          |       | Enable or disable TWIM |  |  |  |  |  |  |  |  |  |  |  |  |  |  |  |  |  |  |  |  |  |  |  |  |  |  |   |   |   |   |
|                         |   | Disabled | 0     | Disable TWIM           |  |  |  |  |  |  |  |  |  |  |  |  |  |  |  |  |  |  |  |  |  |  |  |  |  |  |   |   |   |   |
|                         |   | Enabled  | 6     | Enable TWIM            |  |  |  |  |  |  |  |  |  |  |  |  |  |  |  |  |  |  |  |  |  |  |  |  |  |  |   |   |   |   |

### 6.31.7.19 PSEL.SCL

Address offset: 0x508

Pin select for SCL signal

| Bit number              | 31 30 29 28 27 26 25 24 23 22 21 20 19 18 17 16 15 14 13 12 11 10 9 8 7 6 5 4 3 2 1 0 |              |         |             |  |  |  |  |  |  |  |  |  |  |  |  |  |  |  |  |  |  |  |  |  |  |  |  |  |  |   |   |   |   |   |
|-------------------------|---|--------------|---------|-------------|--|--|--|--|--|--|--|--|--|--|--|--|--|--|--|--|--|--|--|--|--|--|--|--|--|--|---|---|---|---|---|
| ID                      | C   |              |         |             |  |  |  |  |  |  |  |  |  |  |  |  |  |  |  |  |  |  |  |  |  |  |  |  |  |  | B | A | A | A | A |
| <b>Reset 0xFFFFFFFF</b> | <b>1 1</b>    |              |         |             |  |  |  |  |  |  |  |  |  |  |  |  |  |  |  |  |  |  |  |  |  |  |  |  |  |  |   |   |   |   |   |
| ID                      | Acce Field  | Value ID     | Value   | Description |  |  |  |  |  |  |  |  |  |  |  |  |  |  |  |  |  |  |  |  |  |  |  |  |  |  |   |   |   |   |   |
| A                       | RW PIN  |              | [0..31] | Pin number  |  |  |  |  |  |  |  |  |  |  |  |  |  |  |  |  |  |  |  |  |  |  |  |  |  |  |   |   |   |   |   |
| B                       | RW PORT   |              | [0..1]  | Port number |  |  |  |  |  |  |  |  |  |  |  |  |  |  |  |  |  |  |  |  |  |  |  |  |  |  |   |   |   |   |   |
| C                       | RW CONNECT  |              |         | Connection  |  |  |  |  |  |  |  |  |  |  |  |  |  |  |  |  |  |  |  |  |  |  |  |  |  |  |   |   |   |   |   |
|                         |   | Disconnected | 1       | Disconnect  |  |  |  |  |  |  |  |  |  |  |  |  |  |  |  |  |  |  |  |  |  |  |  |  |  |  |   |   |   |   |   |
|                         |   | Connected    | 0       | Connect     |  |  |  |  |  |  |  |  |  |  |  |  |  |  |  |  |  |  |  |  |  |  |  |  |  |  |   |   |   |   |   |

### 6.31.7.20 PSEL.SDA

Address offset: 0x50C

Pin select for SDA signal

| Bit number              | 31 30 29 28 27 26 25 24 23 22 21 20 19 18 17 16 15 14 13 12 11 10 9 8 7 6 5 4 3 2 1 0 |              |         |             |  |  |  |  |  |  |  |  |  |  |  |  |  |  |  |  |  |  |  |  |  |  |  |  |  |  |   |   |   |   |   |
|-------------------------|---|--------------|---------|-------------|--|--|--|--|--|--|--|--|--|--|--|--|--|--|--|--|--|--|--|--|--|--|--|--|--|--|---|---|---|---|---|
| ID                      | C   |              |         |             |  |  |  |  |  |  |  |  |  |  |  |  |  |  |  |  |  |  |  |  |  |  |  |  |  |  | B | A | A | A | A |
| <b>Reset 0xFFFFFFFF</b> | <b>1 1</b>    |              |         |             |  |  |  |  |  |  |  |  |  |  |  |  |  |  |  |  |  |  |  |  |  |  |  |  |  |  |   |   |   |   |   |
| ID                      | Acce Field  | Value ID     | Value   | Description |  |  |  |  |  |  |  |  |  |  |  |  |  |  |  |  |  |  |  |  |  |  |  |  |  |  |   |   |   |   |   |
| A                       | RW PIN  |              | [0..31] | Pin number  |  |  |  |  |  |  |  |  |  |  |  |  |  |  |  |  |  |  |  |  |  |  |  |  |  |  |   |   |   |   |   |
| B                       | RW PORT   |              | [0..1]  | Port number |  |  |  |  |  |  |  |  |  |  |  |  |  |  |  |  |  |  |  |  |  |  |  |  |  |  |   |   |   |   |   |
| C                       | RW CONNECT  |              |         | Connection  |  |  |  |  |  |  |  |  |  |  |  |  |  |  |  |  |  |  |  |  |  |  |  |  |  |  |   |   |   |   |   |
|                         |   | Disconnected | 1       | Disconnect  |  |  |  |  |  |  |  |  |  |  |  |  |  |  |  |  |  |  |  |  |  |  |  |  |  |  |   |   |   |   |   |
|                         |   | Connected    | 0       | Connect     |  |  |  |  |  |  |  |  |  |  |  |  |  |  |  |  |  |  |  |  |  |  |  |  |  |  |   |   |   |   |   |

### 6.31.7.21 FREQUENCY

Address offset: 0x524

TWI frequency. Accuracy depends on the HFCLK source selected.

| Bit number              | 31 30 29 28 27 26 25 24 23 22 21 20 19 18 17 16 15 14 13 12 11 10 9 8 7 6 5 4 3 2 1 0 |          |            |                            |  |  |  |  |  |  |  |  |  |  |  |  |  |  |  |  |  |  |  |  |  |  |  |  |  |  |   |   |   |   |   |   |   |   |   |   |   |   |   |   |   |   |   |   |   |   |   |   |   |   |   |   |   |   |   |
|-------------------------|---|----------|------------|----------------------------|--|--|--|--|--|--|--|--|--|--|--|--|--|--|--|--|--|--|--|--|--|--|--|--|--|--|---|---|---|---|---|---|---|---|---|---|---|---|---|---|---|---|---|---|---|---|---|---|---|---|---|---|---|---|---|
| ID                      | A   |          |            |                            |  |  |  |  |  |  |  |  |  |  |  |  |  |  |  |  |  |  |  |  |  |  |  |  |  |  | A | A | A | A | A | A | A | A | A | A | A | A | A | A | A | A | A | A | A | A | A | A | A | A | A | A | A | A | A |
| <b>Reset 0x04000000</b> | <b>0 0 0 0 0 1 0</b>    |          |            |                            |  |  |  |  |  |  |  |  |  |  |  |  |  |  |  |  |  |  |  |  |  |  |  |  |  |  |   |   |   |   |   |   |   |   |   |   |   |   |   |   |   |   |   |   |   |   |   |   |   |   |   |   |   |   |   |
| ID                      | Acce Field  | Value ID | Value      | Description                |  |  |  |  |  |  |  |  |  |  |  |  |  |  |  |  |  |  |  |  |  |  |  |  |  |  |   |   |   |   |   |   |   |   |   |   |   |   |   |   |   |   |   |   |   |   |   |   |   |   |   |   |   |   |   |
| A                       | RW FREQUENCY  |          |            | TWI master clock frequency |  |  |  |  |  |  |  |  |  |  |  |  |  |  |  |  |  |  |  |  |  |  |  |  |  |  |   |   |   |   |   |   |   |   |   |   |   |   |   |   |   |   |   |   |   |   |   |   |   |   |   |   |   |   |   |
|                         |   | K100     | 0x01980000 | 100 kbps                   |  |  |  |  |  |  |  |  |  |  |  |  |  |  |  |  |  |  |  |  |  |  |  |  |  |  |   |   |   |   |   |   |   |   |   |   |   |   |   |   |   |   |   |   |   |   |   |   |   |   |   |   |   |   |   |
|                         |   | K250     | 0x04000000 | 250 kbps                   |  |  |  |  |  |  |  |  |  |  |  |  |  |  |  |  |  |  |  |  |  |  |  |  |  |  |   |   |   |   |   |   |   |   |   |   |   |   |   |   |   |   |   |   |   |   |   |   |   |   |   |   |   |   |   |
|                         |   | K400     | 0x06400000 | 400 kbps                   |  |  |  |  |  |  |  |  |  |  |  |  |  |  |  |  |  |  |  |  |  |  |  |  |  |  |   |   |   |   |   |   |   |   |   |   |   |   |   |   |   |   |   |   |   |   |   |   |   |   |   |   |   |   |   |

### 6.31.7.22 RXD.PTR

Address offset: 0x534

Data pointer

|                  |    |    |    |    |    |    |    |    |    |    |    |    |    |    |    |    |    |    |    |    |    |    |   |   |   |   |   |   |   |   |   |   |
|------------------|----|----|----|----|----|----|----|----|----|----|----|----|----|----|----|----|----|----|----|----|----|----|---|---|---|---|---|---|---|---|---|---|
| Bit number       | 31 | 30 | 29 | 28 | 27 | 26 | 25 | 24 | 23 | 22 | 21 | 20 | 19 | 18 | 17 | 16 | 15 | 14 | 13 | 12 | 11 | 10 | 9 | 8 | 7 | 6 | 5 | 4 | 3 | 2 | 1 | 0 |
| ID               | A  | A  | A  | A  | A  | A  | A  | A  | A  | A  | A  | A  | A  | A  | A  | A  | A  | A  | A  | A  | A  | A  | A | A | A | A | A | A | A | A | A | A |
| Reset 0x00000000 | 0  | 0  | 0  | 0  | 0  | 0  | 0  | 0  | 0  | 0  | 0  | 0  | 0  | 0  | 0  | 0  | 0  | 0  | 0  | 0  | 0  | 0  | 0 | 0 | 0 | 0 | 0 | 0 | 0 | 0 | 0 | 0 |

| ID | Acce Field | Value ID | Value | Description  |
|----|------------|----------|-------|--------------|
| A  | RW         | PTR      |       | Data pointer |

See the memory chapter for details about which memories are available for EasyDMA.

### 6.31.7.23 RXD.MAXCNT

Address offset: 0x538

Maximum number of bytes in receive buffer

|                  |    |    |    |    |    |    |    |    |    |    |    |    |    |    |    |    |    |    |    |    |    |    |   |   |   |   |   |   |   |   |   |   |
|------------------|----|----|----|----|----|----|----|----|----|----|----|----|----|----|----|----|----|----|----|----|----|----|---|---|---|---|---|---|---|---|---|---|
| Bit number       | 31 | 30 | 29 | 28 | 27 | 26 | 25 | 24 | 23 | 22 | 21 | 20 | 19 | 18 | 17 | 16 | 15 | 14 | 13 | 12 | 11 | 10 | 9 | 8 | 7 | 6 | 5 | 4 | 3 | 2 | 1 | 0 |
| ID               |    |    |    |    |    |    |    |    |    |    |    |    |    |    |    |    |    |    |    |    | A  | A  | A | A | A | A | A | A | A | A | A | A |
| Reset 0x00000000 | 0  | 0  | 0  | 0  | 0  | 0  | 0  | 0  | 0  | 0  | 0  | 0  | 0  | 0  | 0  | 0  | 0  | 0  | 0  | 0  | 0  | 0  | 0 | 0 | 0 | 0 | 0 | 0 | 0 | 0 | 0 | 0 |

| ID | Acce Field | Value ID | Value       | Description                               |
|----|------------|----------|-------------|---|
| A  | RW         | MAXCNT   | [0..0xFFFF] | Maximum number of bytes in receive buffer |

### 6.31.7.24 RXD.AMOUNT

Address offset: 0x53C

Number of bytes transferred in the last transaction

|                  |    |    |    |    |    |    |    |    |    |    |    |    |    |    |    |    |    |    |    |    |    |    |   |   |   |   |   |   |   |   |   |   |
|------------------|----|----|----|----|----|----|----|----|----|----|----|----|----|----|----|----|----|----|----|----|----|----|---|---|---|---|---|---|---|---|---|---|
| Bit number       | 31 | 30 | 29 | 28 | 27 | 26 | 25 | 24 | 23 | 22 | 21 | 20 | 19 | 18 | 17 | 16 | 15 | 14 | 13 | 12 | 11 | 10 | 9 | 8 | 7 | 6 | 5 | 4 | 3 | 2 | 1 | 0 |
| ID               |    |    |    |    |    |    |    |    |    |    |    |    |    |    |    |    |    |    |    |    |    | A  | A | A | A | A | A | A | A | A | A | A |
| Reset 0x00000000 | 0  | 0  | 0  | 0  | 0  | 0  | 0  | 0  | 0  | 0  | 0  | 0  | 0  | 0  | 0  | 0  | 0  | 0  | 0  | 0  | 0  | 0  | 0 | 0 | 0 | 0 | 0 | 0 | 0 | 0 | 0 | 0 |

| ID | Acce Field | Value ID | Value       | Description  |
|----|------------|----------|-------------|--|
| A  | R          | AMOUNT   | [0..0xFFFF] | Number of bytes transferred in the last transaction. In case of NACK error, includes the NACK'ed byte. |

### 6.31.7.25 RXD.LIST

Address offset: 0x540

EasyDMA list type

|                  |    |    |    |    |    |    |    |    |    |    |    |    |    |    |    |    |    |    |    |    |    |    |   |   |   |   |   |   |   |   |   |   |   |   |
|------------------|----|----|----|----|----|----|----|----|----|----|----|----|----|----|----|----|----|----|----|----|----|----|---|---|---|---|---|---|---|---|---|---|---|---|
| Bit number       | 31 | 30 | 29 | 28 | 27 | 26 | 25 | 24 | 23 | 22 | 21 | 20 | 19 | 18 | 17 | 16 | 15 | 14 | 13 | 12 | 11 | 10 | 9 | 8 | 7 | 6 | 5 | 4 | 3 | 2 | 1 | 0 |   |   |
| ID               |    |    |    |    |    |    |    |    |    |    |    |    |    |    |    |    |    |    |    |    |    |    |   |   |   |   |   |   |   |   |   | A | A | A |
| Reset 0x00000000 | 0  | 0  | 0  | 0  | 0  | 0  | 0  | 0  | 0  | 0  | 0  | 0  | 0  | 0  | 0  | 0  | 0  | 0  | 0  | 0  | 0  | 0  | 0 | 0 | 0 | 0 | 0 | 0 | 0 | 0 | 0 | 0 | 0 |   |

| ID | Acce Field | Value ID  | Value | Description          |
|----|------------|-----------|-------|----------------------|
| A  | RW         | LIST      |       | List type            |
|    |            | Disabled  | 0     | Disable EasyDMA list |
|    |            | ArrayList | 1     | Use array list       |

### 6.31.7.26 TXD.PTR

Address offset: 0x544

Data pointer

| Bit number       | 31         | 30       | 29    | 28           | 27 | 26 | 25 | 24 | 23 | 22 | 21 | 20 | 19 | 18 | 17 | 16 | 15 | 14 | 13 | 12 | 11 | 10 | 9 | 8 | 7 | 6 | 5 | 4 | 3 | 2 | 1 | 0 |
|------------------|------------|----------|-------|--------------|----|----|----|----|----|----|----|----|----|----|----|----|----|----|----|----|----|----|---|---|---|---|---|---|---|---|---|---|
| ID               | A          | A        | A     | A            | A  | A  | A  | A  | A  | A  | A  | A  | A  | A  | A  | A  | A  | A  | A  | A  | A  | A  | A | A | A | A | A | A | A | A | A | A |
| Reset 0x00000000 | 0          | 0        | 0     | 0            | 0  | 0  | 0  | 0  | 0  | 0  | 0  | 0  | 0  | 0  | 0  | 0  | 0  | 0  | 0  | 0  | 0  | 0  | 0 | 0 | 0 | 0 | 0 | 0 | 0 | 0 | 0 |   |
| ID               | Acce Field | Value ID | Value | Description  |    |    |    |    |    |    |    |    |    |    |    |    |    |    |    |    |    |    |   |   |   |   |   |   |   |   |   |   |
| A                | RW PTR     |          |       | Data pointer |    |    |    |    |    |    |    |    |    |    |    |    |    |    |    |    |    |    |   |   |   |   |   |   |   |   |   |   |

See the memory chapter for details about which memories are available for EasyDMA.

### 6.31.7.27 TXD.MAXCNT

Address offset: 0x548

Maximum number of bytes in transmit buffer

| Bit number       | 31         | 30       | 29          | 28   | 27 | 26 | 25 | 24 | 23 | 22 | 21 | 20 | 19 | 18 | 17 | 16 | 15 | 14 | 13 | 12 | 11 | 10 | 9 | 8 | 7 | 6 | 5 | 4 | 3 | 2 | 1 | 0 |
|------------------|------------|----------|-------------|--|----|----|----|----|----|----|----|----|----|----|----|----|----|----|----|----|----|----|---|---|---|---|---|---|---|---|---|---|
| ID               |            |          |             |  |    |    |    |    |    |    |    |    |    |    |    |    |    |    |    |    | A  | A  | A | A | A | A | A | A | A | A | A |   |
| Reset 0x00000000 | 0          | 0        | 0           | 0  | 0  | 0  | 0  | 0  | 0  | 0  | 0  | 0  | 0  | 0  | 0  | 0  | 0  | 0  | 0  | 0  | 0  | 0  | 0 | 0 | 0 | 0 | 0 | 0 | 0 | 0 | 0 |   |
| ID               | Acce Field | Value ID | Value       | Description                                |    |    |    |    |    |    |    |    |    |    |    |    |    |    |    |    |    |    |   |   |   |   |   |   |   |   |   |   |
| A                | RW MAXCNT  |          | [0..0xFFFF] | Maximum number of bytes in transmit buffer |    |    |    |    |    |    |    |    |    |    |    |    |    |    |    |    |    |    |   |   |   |   |   |   |   |   |   |   |

### 6.31.7.28 TXD.AMOUNT

Address offset: 0x54C

Number of bytes transferred in the last transaction

| Bit number       | 31         | 30       | 29          | 28   | 27 | 26 | 25 | 24 | 23 | 22 | 21 | 20 | 19 | 18 | 17 | 16 | 15 | 14 | 13 | 12 | 11 | 10 | 9 | 8 | 7 | 6 | 5 | 4 | 3 | 2 | 1 | 0 |
|------------------|------------|----------|-------------|--|----|----|----|----|----|----|----|----|----|----|----|----|----|----|----|----|----|----|---|---|---|---|---|---|---|---|---|---|
| ID               |            |          |             |  |    |    |    |    |    |    |    |    |    |    |    |    |    |    |    |    |    | A  | A | A | A | A | A | A | A | A | A |   |
| Reset 0x00000000 | 0          | 0        | 0           | 0  | 0  | 0  | 0  | 0  | 0  | 0  | 0  | 0  | 0  | 0  | 0  | 0  | 0  | 0  | 0  | 0  | 0  | 0  | 0 | 0 | 0 | 0 | 0 | 0 | 0 | 0 | 0 |   |
| ID               | Acce Field | Value ID | Value       | Description  |    |    |    |    |    |    |    |    |    |    |    |    |    |    |    |    |    |    |   |   |   |   |   |   |   |   |   |   |
| A                | R AMOUNT   |          | [0..0xFFFF] | Number of bytes transferred in the last transaction. In case of NACK error, includes the NACK'ed byte. |    |    |    |    |    |    |    |    |    |    |    |    |    |    |    |    |    |    |   |   |   |   |   |   |   |   |   |   |

### 6.31.7.29 TXD.LIST

Address offset: 0x550

EasyDMA list type

| Bit number       | 31         | 30        | 29    | 28                   | 27 | 26 | 25 | 24 | 23 | 22 | 21 | 20 | 19 | 18 | 17 | 16 | 15 | 14 | 13 | 12 | 11 | 10 | 9 | 8 | 7 | 6 | 5 | 4 | 3 | 2 | 1 | 0 |   |
|------------------|------------|-----------|-------|----------------------|----|----|----|----|----|----|----|----|----|----|----|----|----|----|----|----|----|----|---|---|---|---|---|---|---|---|---|---|---|
| ID               |            |           |       |                      |    |    |    |    |    |    |    |    |    |    |    |    |    |    |    |    |    |    |   |   |   |   |   |   |   |   | A | A | A |
| Reset 0x00000000 | 0          | 0         | 0     | 0                    | 0  | 0  | 0  | 0  | 0  | 0  | 0  | 0  | 0  | 0  | 0  | 0  | 0  | 0  | 0  | 0  | 0  | 0  | 0 | 0 | 0 | 0 | 0 | 0 | 0 | 0 | 0 |   |   |
| ID               | Acce Field | Value ID  | Value | Description          |    |    |    |    |    |    |    |    |    |    |    |    |    |    |    |    |    |    |   |   |   |   |   |   |   |   |   |   |   |
| A                | RW LIST    |           |       | List type            |    |    |    |    |    |    |    |    |    |    |    |    |    |    |    |    |    |    |   |   |   |   |   |   |   |   |   |   |   |
|                  |            | Disabled  | 0     | Disable EasyDMA list |    |    |    |    |    |    |    |    |    |    |    |    |    |    |    |    |    |    |   |   |   |   |   |   |   |   |   |   |   |
|                  |            | ArrayList | 1     | Use array list       |    |    |    |    |    |    |    |    |    |    |    |    |    |    |    |    |    |    |   |   |   |   |   |   |   |   |   |   |   |

### 6.31.7.30 ADDRESS

Address offset: 0x588

Address used in the TWI transfer

| Bit number       | 31  | 30       | 29    | 28                               | 27 | 26 | 25 | 24 | 23 | 22 | 21 | 20 | 19 | 18 | 17 | 16 | 15 | 14 | 13 | 12 | 11 | 10 | 9 | 8 | 7 | 6 | 5 | 4 | 3 | 2 | 1 | 0 |
|------------------|---|----------|-------|----------------------------------|----|----|----|----|----|----|----|----|----|----|----|----|----|----|----|----|----|----|---|---|---|---|---|---|---|---|---|---|
| ID               | A A A A A A A A   |          |       |                                  |    |    |    |    |    |    |    |    |    |    |    |    |    |    |    |    |    |    |   |   |   |   |   |   |   |   |   |   |
| Reset 0x00000000 | 0 |          |       |                                  |    |    |    |    |    |    |    |    |    |    |    |    |    |    |    |    |    |    |   |   |   |   |   |   |   |   |   |   |
| ID               | Acce Field  | Value ID | Value | Description                      |    |    |    |    |    |    |    |    |    |    |    |    |    |    |    |    |    |    |   |   |   |   |   |   |   |   |   |   |
| A                | RW  | ADDRESS  |       | Address used in the TWI transfer |    |    |    |    |    |    |    |    |    |    |    |    |    |    |    |    |    |    |   |   |   |   |   |   |   |   |   |   |

## 6.31.8 Electrical specification

### 6.31.8.1 TWIM interface electrical specifications

| Symbol           | Description  | Min. | Typ. | Max. | Units   |
|------------------|--|------|------|------|---------|
| $f_{TWIM,SCL}$   | Bit rates for TWIM <sup>39</sup>                       | 100  |      | 400  | kbps    |
| $t_{TWIM,START}$ | Time from STARTRX/STARTTX task to transmission started |      | 1.5  |      | $\mu$ s |

### 6.31.8.2 Two Wire Interface Master (TWIM) timing specifications

| Symbol                     | Description  | Min.   | Typ. | Max. | Units |
|----------------------------|--|--------|------|------|-------|
| $t_{TWIM,SU\_DAT}$         | Data setup time before positive edge on SCL – all modes                | 300    |      |      | ns    |
| $t_{TWIM,HD\_DAT}$         | Data hold time after negative edge on SCL – 100, 250 and 400 kbps      | 500    |      |      | ns    |
| $t_{TWIM,HD\_STA,100kbps}$ | TWIM master hold time for START and repeated START condition, 100 kbps | 9937.5 |      |      | ns    |
| $t_{TWIM,HD\_STA,250kbps}$ | TWIM master hold time for START and repeated START condition, 250 kbps | 3937.5 |      |      | ns    |
| $t_{TWIM,HD\_STA,400kbps}$ | TWIM master hold time for START and repeated START condition, 400 kbps | 2437.5 |      |      | ns    |
| $t_{TWIM,SU\_STO,100kbps}$ | TWIM master setup time from SCL high to STOP condition, 100 kbps       | 5000   |      |      | ns    |
| $t_{TWIM,SU\_STO,250kbps}$ | TWIM master setup time from SCL high to STOP condition, 250 kbps       | 2000   |      |      | ns    |
| $t_{TWIM,SU\_STO,400kbps}$ | TWIM master setup time from SCL high to STOP condition, 400 kbps       | 1250   |      |      | ns    |
| $t_{TWIM,BUF,100kbps}$     | TWIM master bus free time between STOP and START conditions, 100 kbps  | 5800   |      |      | ns    |
| $t_{TWIM,BUF,250kbps}$     | TWIM master bus free time between STOP and START conditions, 250 kbps  | 2700   |      |      | ns    |
| $t_{TWIM,BUF,400kbps}$     | TWIM master bus free time between STOP and START conditions, 400 kbps  | 2100   |      |      | ns    |

<sup>39</sup> High bit rates or stronger pull-ups may require GPIOs to be set as High Drive, see [GPIO — General purpose input/output](#) on page 151 for more details.



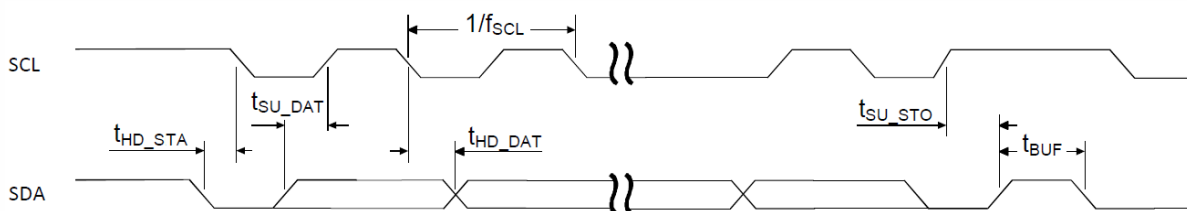


Figure 179: TWIM timing diagram, 1 byte transaction

### 6.31.9 Pullup resistor

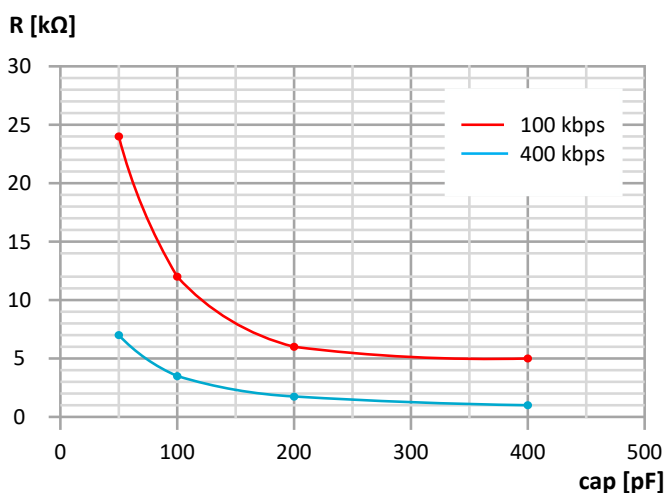


Figure 180: Recommended TWIM pullup value vs. line capacitance

- The I2C specification allows a line capacitance of 400 pF at most.
- The value of internal pullup resistor ( $R_{PU}$ ) for nRF52840 can be found in [GPIO — General purpose input/output](#) on page 151.

## 6.32 TWIS — I<sup>2</sup>C compatible two-wire interface slave with EasyDMA

TWI slave with EasyDMA (TWIS) is compatible with I<sup>2</sup>C operating at 100 kHz and 400 kHz. The TWI transmitter and receiver implement EasyDMA.

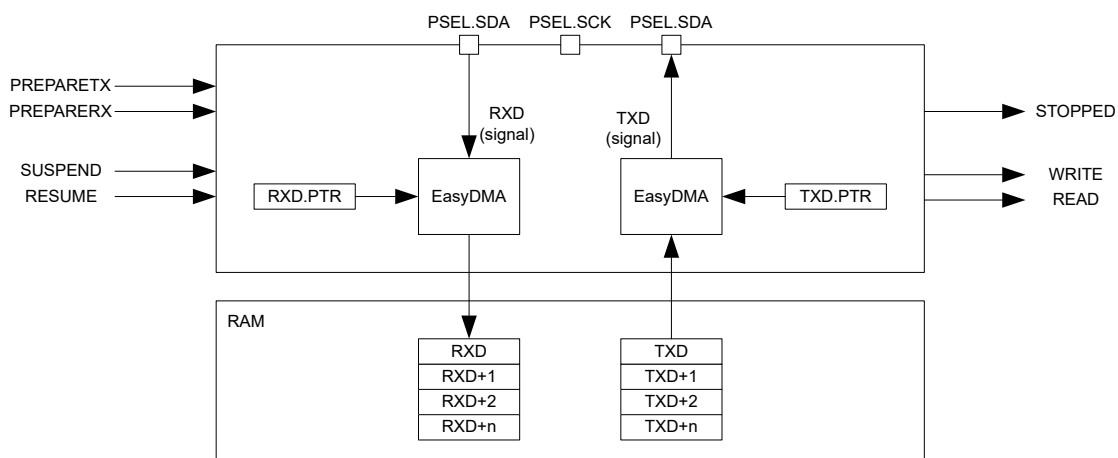


Figure 181: TWI slave with EasyDMA

A typical TWI setup consists of one master and one or more slaves. For an example, see the following figure. TWI is only able to operate with a single master on the TWI bus.

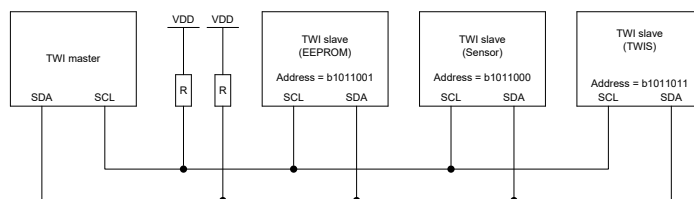


Figure 182: A typical TWI setup comprising one master and three slaves

The following figure shows the TWI slave state machine.

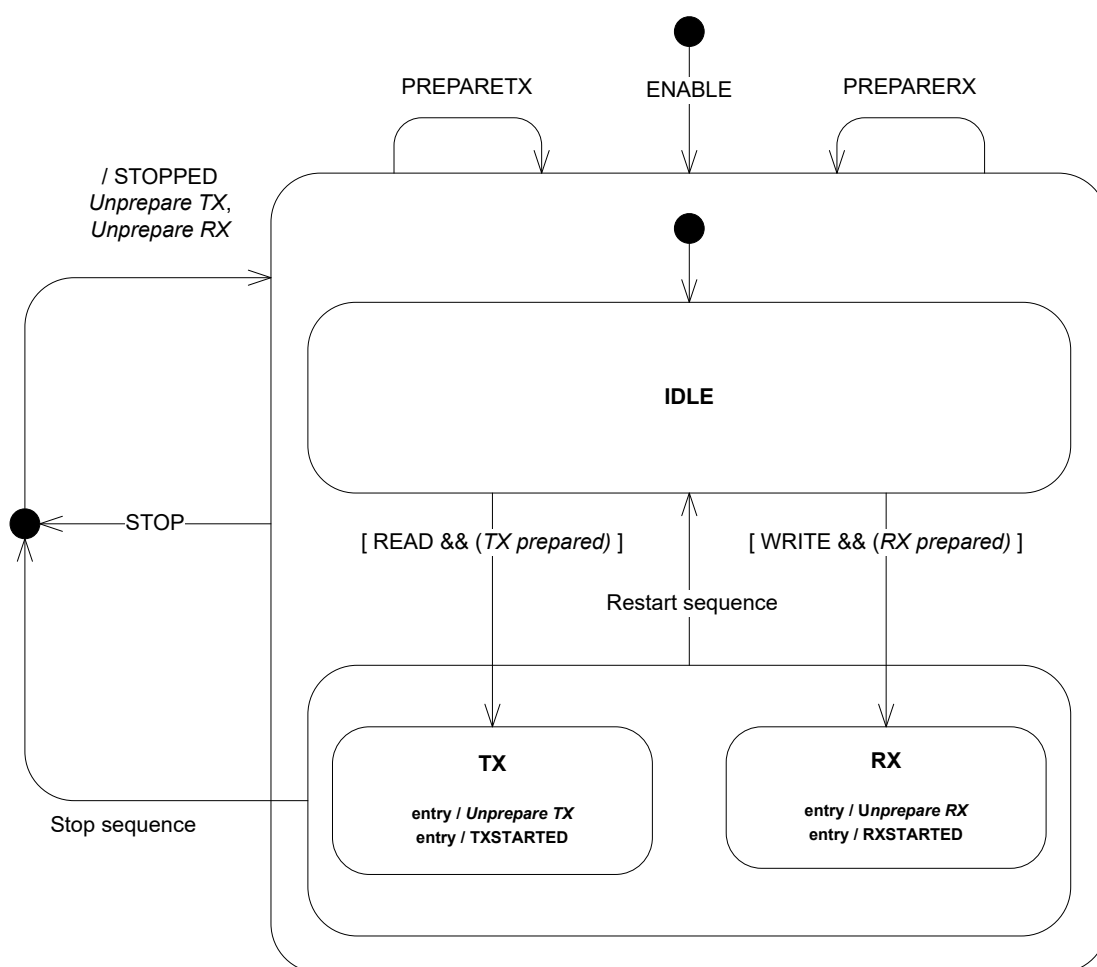


Figure 183: TWI slave state machine

The following table contains descriptions of the symbols used in the state machine.

| Symbol            | Type         | Description   |
|-------------------|--------------|---|
| ENABLE            | Register     | The TWI slave has been enabled via the <code>ENABLE</code> register.  |
| PREPARETX         | Task         | The <code>TASKS_PREPARETX</code> task has been triggered.   |
| STOP              | Task         | The <code>TASKS_STOP</code> task has been triggered.  |
| PREPARERX         | Task         | The <code>TASKS_PREPARERX</code> task has been triggered.   |
| STOPPED           | Event        | The <code>EVENTS_STOPPED</code> event was generated.  |
| RXSTARTED         | Event        | The <code>EVENTS_RXSTARTED</code> event was generated.  |
| TXSTARTED         | Event        | The <code>EVENTS_TXSTARTED</code> event was generated.  |
| TX prepared       | Internal     | Internal flag indicating that a <code>TASKS_PREPARETX</code> task has been triggered. This flag is not visible to the user. |
| RX prepared       | Internal     | Internal flag indicating that a <code>TASKS_PREPARERX</code> task has been triggered. This flag is not visible to the user. |
| Unprepare TX      | Internal     | Clears the internal 'TX prepared' flag until next <code>TASKS_PREPARETX</code> task.  |
| Unprepare RX      | Internal     | Clears the internal 'RX prepared' flag until next <code>TASKS_PREPARERX</code> task.  |
| Stop condition    | TWI protocol | A TWI stop condition was detected.  |
| Restart condition | TWI protocol | A TWI restart condition was detected.   |

Table 127: TWI slave state machine symbols

The TWI slave can perform clock stretching, with the premise that the master is able to support it.

The TWI slave operates in a low power mode while waiting for a TWI master to initiate a transfer. As long as the TWI slave is not addressed, it will remain in this low power mode.

To secure correct behavior of the TWI slave, `PSEL.SCL`, `PSEL.SDA`, `CONFIG`, and the `ADDRESS[n]` registers must be configured prior to enabling the TWI slave through the `ENABLE` register. Similarly, changing these settings must be performed while the TWI slave is disabled. Failing to do so may result in unpredictable behavior.

### 6.32.1 EasyDMA

The TWIS implements EasyDMA for accessing RAM without CPU involvement.

The following table shows the Easy DMA channels that the TWIS peripheral implements.

| Channel | Type   | Register Cluster |
|---------|--------|------------------|
| TXD     | READER | TXD              |
| RXD     | WRITER | RXD              |

Table 128: TWIS EasyDMA Channels

For detailed information regarding the use of EasyDMA, see [EasyDMA](#) on page 47.

The STOPPED event indicates that EasyDMA has finished accessing the buffer in RAM.

### 6.32.2 TWI slave responding to a read command

Before the TWI slave can respond to a read command, the TWI slave must be configured correctly and enabled via the `ENABLE` register. When enabled, the TWI slave will be in its IDLE state.

A read command is started when the TWI master generates a start condition on the TWI bus, followed by clocking out the address and the `READ/WRITE` bit set to 1 (`WRITE=0`, `READ=1`). The `READ/WRITE` bit is followed by an `ACK/NACK` bit (`ACK=0` or `NACK=1`) response from the TWI slave.

The TWI slave is able to listen for up to two addresses at the same time. This is configured in the `ADDRESS` registers and the `CONFIG` register.

The TWI slave will only acknowledge (ACK) the read command if the address presented by the master matches one of the addresses the slave is configured to listen for. The TWI slave will generate a READ event when it acknowledges the read command.

The TWI slave is only able to detect a read command from the IDLE state.

The TWI slave will set an internal 'TX prepared' flag when the PREPARETX task is triggered.

When the read command is received, the TWI slave will enter the TX state if the internal 'TX prepared' flag is set.

If the internal 'TX prepared' flag is not set when the read command is received, the TWI slave will stretch the master's clock until the PREPARETX task is triggered and the internal 'TX prepared' flag is set.

The TWI slave will generate the TXSTARTED event and clear the 'TX prepared' flag ('unprepare TX') when it enters the TX state. In this state the TWI slave will send the data bytes found in the transmit buffer to the master using the master's clock.

The TWI slave will go back to the IDLE state if the TWI slave receives a restart command when it is in the TX state.

The TWI slave is stopped when it receives the stop condition from the TWI master. A STOPPED event will be generated when the transaction has stopped. The TWI slave will clear the 'TX prepared' flag ('unprepare TX') and go back to the IDLE state when it has stopped.

The transmit buffer is located in RAM at the address specified in the TXD.PTR register. The TWI slave will only be able to send TXD.MAXCNT bytes from the transmit buffer for each transaction. If the TWI master forces the slave to send more than TXD.MAXCNT bytes, the slave will send the byte specified in the ORC register to the master instead. If this happens, an ERROR event will be generated.

The EasyDMA configuration registers, see TXD.PTR etc., are latched when the TXSTARTED event is generated.

The TWI slave can be forced to stop by triggering the STOP task. A STOPPED event will be generated when the TWI slave has stopped. The TWI slave will clear the 'TX prepared' flag and go back to the IDLE state when it has stopped, see also [Terminating an ongoing TWI transaction](#) on page 490.

Each byte sent from the slave will be followed by an ACK/NACK bit sent from the master. The TWI master will generate a NACK following the last byte that it wants to receive to tell the slave to release the bus so that the TWI master can generate the stop condition. The TXD.AMOUNT register can be queried after a transaction to see how many bytes were sent.

A typical TWI slave read command response is shown in the following figure. Occurrence 2 in the figure illustrates clock stretching performed by the TWI slave following a SUSPEND task.

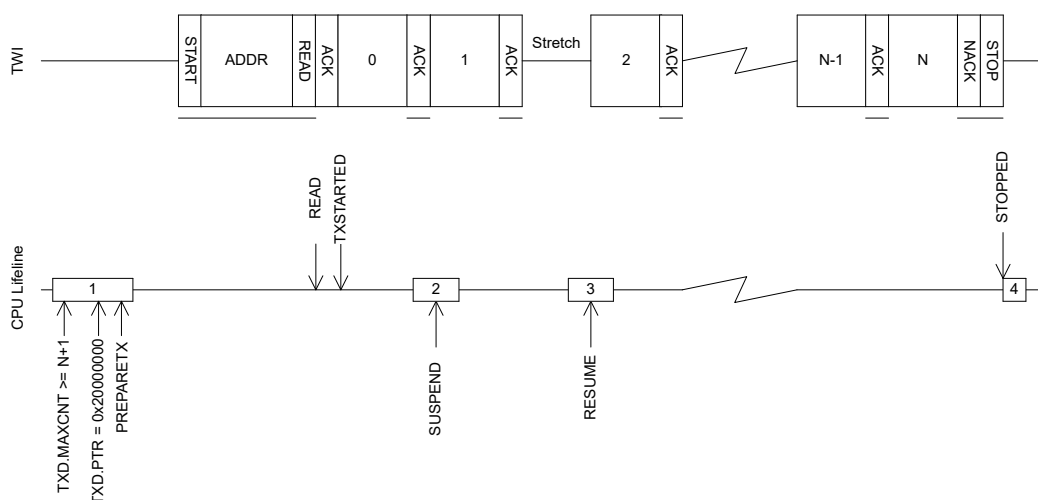


Figure 184: The TWI slave responding to a read command

### 6.32.3 TWI slave responding to a write command

Before the TWI slave can respond to a write command, the TWI slave must be configured correctly and enabled via the ENABLE register. When enabled, the TWI slave will be in its IDLE state.

A write command is started when the TWI master generates a start condition on the TWI bus, followed by clocking out the address and the READ/WRITE bit set to 0 (WRITE=0, READ=1). The READ/WRITE bit is followed by an ACK/NACK bit (ACK=0 or NACK=1) response from the slave.

The TWI slave is able to listen for up to two addresses at the same time. This is configured in the ADDRESS registers and the CONFIG register.

The TWI slave will only acknowledge (ACK) the write command if the address presented by the master matches one of the addresses the slave is configured to listen for. The TWI slave will generate a WRITE event if it acknowledges the write command.

The TWI slave is only able to detect a write command from the IDLE state.

The TWI slave will set an internal 'RX prepared' flag when the PREPARERX task is triggered.

When the write command is received, the TWI slave will enter the RX state if the internal 'RX prepared' flag is set.

If the internal 'RX prepared' flag is not set when the write command is received, the TWI slave will stretch the master's clock until the PREPARERX task is triggered and the internal 'RX prepared' flag is set.

The TWI slave will generate the RXSTARTED event and clear the internal 'RX prepared' flag ('unprepare RX') when it enters the RX state. In this state, the TWI slave will be able to receive the bytes sent by the TWI master.

The TWI slave will go back to the IDLE state if the TWI slave receives a restart command when it is in the RX state.

The TWI slave is stopped when it receives the stop condition from the TWI master. A STOPPED event will be generated when the transaction has stopped. The TWI slave will clear the internal 'RX prepared' flag ('unprepare RX') and go back to the IDLE state when it has stopped.

The receive buffer is located in RAM at the address specified in the RXD.PTR register. The TWI slave will only be able to receive as many bytes as specified in the RXD.MAXCNT register. If the TWI master tries to send more bytes to the slave than it can receive, the extra bytes are discarded and NACKed by the slave. If this happens, an ERROR event will be generated.

The EasyDMA configuration registers, see RXD.PTR etc., are latched when the RXSTARTED event is generated.

The TWI slave can be forced to stop by triggering the STOP task. A STOPPED event will be generated when the TWI slave has stopped. The TWI slave will clear the internal 'RX prepared' flag and go back to the IDLE state when it has stopped, see also [Terminating an ongoing TWI transaction](#) on page 490.

The TWI slave will generate an ACK after every byte received from the master. The RXD.AMOUNT register can be queried after a transaction to see how many bytes were received.

A typical TWI slave write command response is shown in the following figure. Occurrence 2 in the figure illustrates clock stretching performed by the TWI slave following a SUSPEND task.

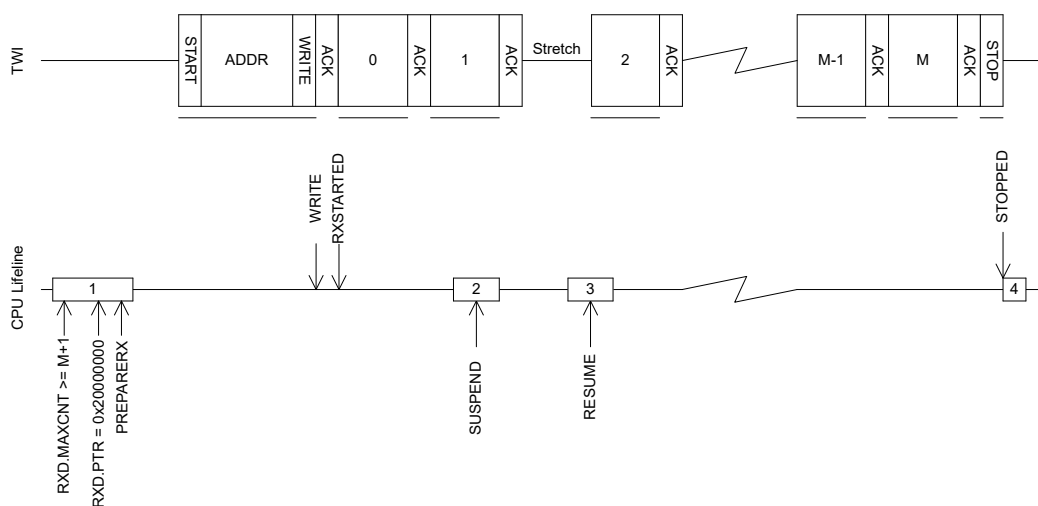


Figure 185: The TWI slave responding to a write command

### 6.32.4 Master repeated start sequence

An example of a repeated start sequence is one in which the TWI master writes two bytes to the slave followed by reading four bytes from the slave.

This is illustrated in the following figure.

In this example, the receiver does not know what the master wants to read in advance. This information is in the first two received bytes of the write in the repeated start sequence. To guarantee that the CPU is able to process the received data before the TWI slave starts to reply to the read command, the SUSPEND task is triggered via a shortcut from the READ event generated when the read command is received. When the CPU has processed the incoming data and prepared the correct data response, the CPU will resume the transaction by triggering the RESUME task.

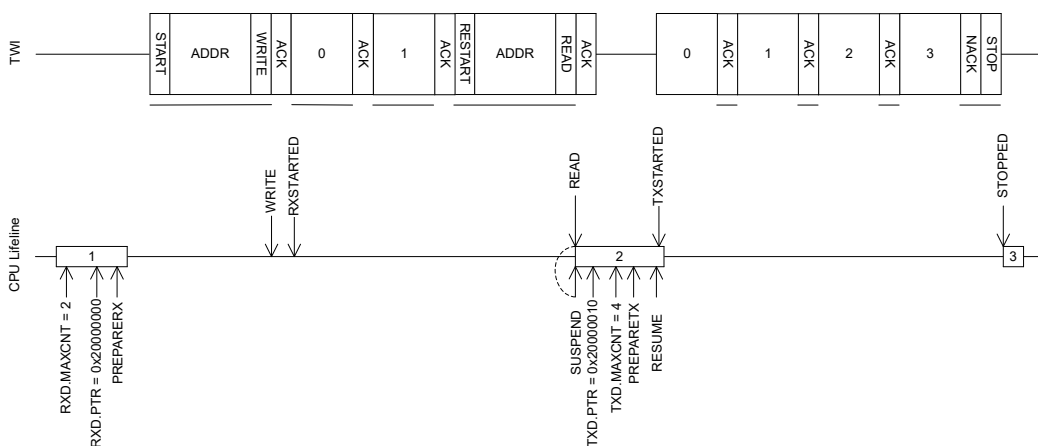


Figure 186: Repeated start sequence

### 6.32.5 Terminating an ongoing TWI transaction

In some situations, e.g. if the external TWI master is not responding correctly, it may be required to terminate an ongoing transaction.

This can be achieved by triggering the STOP task. In this situation, a STOPPED event will be generated when the TWI has stopped independent of whether or not a STOP condition has been generated on the TWI bus. The TWI slave will release the bus when it has stopped and go back to its IDLE state.

### 6.32.6 Low power

When putting the system in low power and the peripheral is not needed, lowest possible power consumption is achieved by stopping, and then disabling the peripheral.

The STOP task may not be always needed (the peripheral might already be stopped), but if it is sent, software shall wait until the STOPPED event was received as a response before disabling the peripheral through the ENABLE register.

### 6.32.7 Slave mode pin configuration

The SCL and SDA signals associated with the TWI slave are mapped to physical pins according to the configuration specified in the PSEL.SCL and PSEL.SDA registers respectively.

The PSEL.SCL and PSEL.SDA registers and their configurations are only used as long as the TWI slave is enabled, and retained only as long as the device is in ON mode. When the peripheral is disabled, the pins will behave as regular GPIOs, and use the configuration in their respective OUT bit field and PIN\_CNF[n] register. PSEL.SCL and PSEL.SDA must only be configured when the TWI slave is disabled.

To secure correct signal levels on the pins used by the TWI slave when the system is in OFF mode, and when the TWI slave is disabled, these pins must be configured in the GPIO peripheral as described in the following table.

Only one peripheral can be assigned to drive a particular GPIO pin at a time. Failing to do so may result in unpredictable behavior.

| TWI slave signal | TWI slave pin            | Direction | Output value   | Drive strength |
|------------------|--------------------------|-----------|----------------|----------------|
| SCL              | As specified in PSEL.SCL | Input     | Not applicable | S0D1           |
| SDA              | As specified in PSEL.SDA | Input     | Not applicable | S0D1           |

Table 129: GPIO configuration before enabling peripheral

### 6.32.8 Registers

| Base address | Peripheral | Instance | Description                | Configuration |
|--------------|------------|----------|----------------------------|---------------|
| 0x40003000   | TWIS       | TWIS0    | Two-wire interface slave 0 |               |
| 0x40004000   | TWIS       | TWIS1    | Two-wire interface slave 1 |               |

Table 130: Instances

| Register         | Offset | Description   |
|------------------|--------|---|
| TASKS_STOP       | 0x014  | Stop TWI transaction                                |
| TASKS_SUSPEND    | 0x01C  | Suspend TWI transaction                             |
| TASKS_RESUME     | 0x020  | Resume TWI transaction                              |
| TASKS_PREPARERX  | 0x030  | Prepare the TWI slave to respond to a write command |
| TASKS_PREPARETX  | 0x034  | Prepare the TWI slave to respond to a read command  |
| EVENTS_STOPPED   | 0x104  | TWI stopped   |
| EVENTS_ERROR     | 0x124  | TWI error   |
| EVENTS_RXSTARTED | 0x14C  | Receive sequence started                            |
| EVENTS_TXSTARTED | 0x150  | Transmit sequence started                           |
| EVENTS_WRITE     | 0x164  | Write command received                              |
| EVENTS_READ      | 0x168  | Read command received                               |
| SHORTS           | 0x200  | Shortcuts between local events and tasks            |
| INTEN            | 0x300  | Enable or disable interrupt                         |
| INTENSET         | 0x304  | Enable interrupt                                    |
| INTENCLR         | 0x308  | Disable interrupt                                   |

| Register   | Offset | Description   |
|------------|--------|---|
| ERRORSRC   | 0x4D0  | Error source  |
| MATCH      | 0x4D4  | Status register indicating which address had a match                                    |
| ENABLE     | 0x500  | Enable TWIS   |
| PSEL.SCL   | 0x508  | Pin select for SCL signal   |
| PSEL.SDA   | 0x50C  | Pin select for SDA signal   |
| RXD.PTR    | 0x534  | RXD Data pointer  |
| RXD.MAXCNT | 0x538  | Maximum number of bytes in RXD buffer   |
| RXD.AMOUNT | 0x53C  | Number of bytes transferred in the last RXD transaction                                 |
| RXD.LIST   | 0x540  | EasyDMA list type   |
| TXD.PTR    | 0x544  | TXD Data pointer  |
| TXD.MAXCNT | 0x548  | Maximum number of bytes in TXD buffer   |
| TXD.AMOUNT | 0x54C  | Number of bytes transferred in the last TXD transaction                                 |
| TXD.LIST   | 0x550  | EasyDMA list type   |
| ADDRESS[0] | 0x588  | TWI slave address 0   |
| ADDRESS[1] | 0x58C  | TWI slave address 1   |
| CONFIG     | 0x594  | Configuration register for the address match mechanism                                  |
| ORC        | 0x5C0  | Over-read character. Character sent out in case of an over-read of the transmit buffer. |

Table 131: Register overview

### 6.32.8.1 TASKS\_STOP

Address offset: 0x014

Stop TWI transaction

| Bit number       | 31   | 30         | 29       | 28    | 27                   | 26 | 25 | 24 | 23 | 22 | 21 | 20 | 19 | 18 | 17 | 16 | 15 | 14 | 13 | 12 | 11 | 10 | 9 | 8 | 7 | 6 | 5 | 4 | 3 | 2 | 1 | 0 |
|------------------|------|------------|----------|-------|----------------------|----|----|----|----|----|----|----|----|----|----|----|----|----|----|----|----|----|---|---|---|---|---|---|---|---|---|---|
| ID               |      |            |          |       |                      |    |    |    |    |    |    |    |    |    |    |    | A  |    |    |    |    |    |   |   |   |   |   |   |   |   |   |   |
| Reset 0x00000000 | 0    |            |          |       |                      |    |    |    |    |    |    |    |    |    |    |    | 0  |    |    |    |    |    |   |   |   |   |   |   |   |   |   |   |
| ID               | Acce | Field      | Value ID | Value | Description          |    |    |    |    |    |    |    |    |    |    |    |    |    |    |    |    |    |   |   |   |   |   |   |   |   |   |   |
| A                | W    | TASKS_STOP |          |       | Stop TWI transaction |    |    |    |    |    |    |    |    |    |    |    |    |    |    |    |    |    |   |   |   |   |   |   |   |   |   |   |
|                  |      |            | Trigger  | 1     | Trigger task         |    |    |    |    |    |    |    |    |    |    |    |    |    |    |    |    |    |   |   |   |   |   |   |   |   |   |   |

### 6.32.8.2 TASKS\_SUSPEND

Address offset: 0x01C

Suspend TWI transaction

| Bit number       | 31   | 30            | 29       | 28    | 27                      | 26 | 25 | 24 | 23 | 22 | 21 | 20 | 19 | 18 | 17 | 16 | 15 | 14 | 13 | 12 | 11 | 10 | 9 | 8 | 7 | 6 | 5 | 4 | 3 | 2 | 1 | 0 |
|------------------|------|---------------|----------|-------|-------------------------|----|----|----|----|----|----|----|----|----|----|----|----|----|----|----|----|----|---|---|---|---|---|---|---|---|---|---|
| ID               |      |               |          |       |                         |    |    |    |    |    |    |    |    |    |    |    | A  |    |    |    |    |    |   |   |   |   |   |   |   |   |   |   |
| Reset 0x00000000 | 0    |               |          |       |                         |    |    |    |    |    |    |    |    |    |    |    | 0  |    |    |    |    |    |   |   |   |   |   |   |   |   |   |   |
| ID               | Acce | Field         | Value ID | Value | Description             |    |    |    |    |    |    |    |    |    |    |    |    |    |    |    |    |    |   |   |   |   |   |   |   |   |   |   |
| A                | W    | TASKS_SUSPEND |          |       | Suspend TWI transaction |    |    |    |    |    |    |    |    |    |    |    |    |    |    |    |    |    |   |   |   |   |   |   |   |   |   |   |
|                  |      |               | Trigger  | 1     | Trigger task            |    |    |    |    |    |    |    |    |    |    |    |    |    |    |    |    |    |   |   |   |   |   |   |   |   |   |   |

### 6.32.8.3 TASKS\_RESUME

Address offset: 0x020

Resume TWI transaction



| Bit number       | 31  | 30       | 29    | 28                                     | 27 | 26 | 25 | 24 | 23 | 22 | 21 | 20 | 19 | 18 | 17 | 16 | 15 | 14 | 13 | 12 | 11 | 10 | 9 | 8 | 7 | 6 | 5 | 4 | 3 | 2 | 1 | 0 |
|------------------|---|----------|-------|--|----|----|----|----|----|----|----|----|----|----|----|----|----|----|----|----|----|----|---|---|---|---|---|---|---|---|---|---|
| ID               |   |          |       |  |    |    |    |    |    |    |    |    |    |    |    |    |    |    |    |    |    |    |   |   |   |   |   |   |   |   |   | A |
| Reset 0x00000000 | 0 |          |       |  |    |    |    |    |    |    |    |    |    |    |    |    |    |    |    |    |    |    |   |   |   |   |   |   |   |   |   |   |
| ID               | Acce Field  | Value ID | Value | Description                            |    |    |    |    |    |    |    |    |    |    |    |    |    |    |    |    |    |    |   |   |   |   |   |   |   |   |   |   |
| A                | W TASKS_RESUME  | Trigger  | 1     | Resume TWI transaction<br>Trigger task |    |    |    |    |    |    |    |    |    |    |    |    |    |    |    |    |    |    |   |   |   |   |   |   |   |   |   |   |

#### 6.32.8.4 TASKS\_PREPARERX

Address offset: 0x030

Prepare the TWI slave to respond to a write command

| Bit number       | 31  | 30       | 29    | 28  | 27 | 26 | 25 | 24 | 23 | 22 | 21 | 20 | 19 | 18 | 17 | 16 | 15 | 14 | 13 | 12 | 11 | 10 | 9 | 8 | 7 | 6 | 5 | 4 | 3 | 2 | 1 | 0 |
|------------------|---|----------|-------|---|----|----|----|----|----|----|----|----|----|----|----|----|----|----|----|----|----|----|---|---|---|---|---|---|---|---|---|---|
| ID               |   |          |       |   |    |    |    |    |    |    |    |    |    |    |    |    |    |    |    |    |    |    |   |   |   |   |   |   |   |   |   | A |
| Reset 0x00000000 | 0 |          |       |   |    |    |    |    |    |    |    |    |    |    |    |    |    |    |    |    |    |    |   |   |   |   |   |   |   |   |   |   |
| ID               | Acce Field  | Value ID | Value | Description   |    |    |    |    |    |    |    |    |    |    |    |    |    |    |    |    |    |    |   |   |   |   |   |   |   |   |   |   |
| A                | W TASKS_PREPARERX   | Trigger  | 1     | Prepare the TWI slave to respond to a write command<br>Trigger task |    |    |    |    |    |    |    |    |    |    |    |    |    |    |    |    |    |    |   |   |   |   |   |   |   |   |   |   |

#### 6.32.8.5 TASKS\_PREPARETX

Address offset: 0x034

Prepare the TWI slave to respond to a read command

| Bit number       | 31  | 30       | 29    | 28   | 27 | 26 | 25 | 24 | 23 | 22 | 21 | 20 | 19 | 18 | 17 | 16 | 15 | 14 | 13 | 12 | 11 | 10 | 9 | 8 | 7 | 6 | 5 | 4 | 3 | 2 | 1 | 0 |
|------------------|---|----------|-------|--|----|----|----|----|----|----|----|----|----|----|----|----|----|----|----|----|----|----|---|---|---|---|---|---|---|---|---|---|
| ID               |   |          |       |  |    |    |    |    |    |    |    |    |    |    |    |    |    |    |    |    |    |    |   |   |   |   |   |   |   |   |   | A |
| Reset 0x00000000 | 0 |          |       |  |    |    |    |    |    |    |    |    |    |    |    |    |    |    |    |    |    |    |   |   |   |   |   |   |   |   |   |   |
| ID               | Acce Field  | Value ID | Value | Description  |    |    |    |    |    |    |    |    |    |    |    |    |    |    |    |    |    |    |   |   |   |   |   |   |   |   |   |   |
| A                | W TASKS_PREPARETX   | Trigger  | 1     | Prepare the TWI slave to respond to a read command<br>Trigger task |    |    |    |    |    |    |    |    |    |    |    |    |    |    |    |    |    |    |   |   |   |   |   |   |   |   |   |   |

#### 6.32.8.6 EVENTS\_STOPPED

Address offset: 0x104

TWI stopped

| Bit number       | 31  | 30           | 29    | 28                                 | 27 | 26 | 25 | 24 | 23 | 22 | 21 | 20 | 19 | 18 | 17 | 16 | 15 | 14 | 13 | 12 | 11 | 10 | 9 | 8 | 7 | 6 | 5 | 4 | 3 | 2 | 1 | 0 |
|------------------|---|--------------|-------|------------------------------------|----|----|----|----|----|----|----|----|----|----|----|----|----|----|----|----|----|----|---|---|---|---|---|---|---|---|---|---|
| ID               |   |              |       |                                    |    |    |    |    |    |    |    |    |    |    |    |    |    |    |    |    |    |    |   |   |   |   |   |   |   |   |   | A |
| Reset 0x00000000 | 0 |              |       |                                    |    |    |    |    |    |    |    |    |    |    |    |    |    |    |    |    |    |    |   |   |   |   |   |   |   |   |   |   |
| ID               | Acce Field  | Value ID     | Value | Description                        |    |    |    |    |    |    |    |    |    |    |    |    |    |    |    |    |    |    |   |   |   |   |   |   |   |   |   |   |
| A                | RW EVENTS_STOPPED   | NotGenerated | 0     | TWI stopped<br>Event not generated |    |    |    |    |    |    |    |    |    |    |    |    |    |    |    |    |    |    |   |   |   |   |   |   |   |   |   |   |
|                  |   | Generated    | 1     | Event generated                    |    |    |    |    |    |    |    |    |    |    |    |    |    |    |    |    |    |    |   |   |   |   |   |   |   |   |   |   |

#### 6.32.8.7 EVENTS\_ERROR

Address offset: 0x124

TWI error

| Bit number | 31  | 30           | 29    | 28                  | 27 | 26 | 25 | 24 | 23 | 22 | 21 | 20 | 19 | 18 | 17 | 16 | 15 | 14 | 13 | 12 | 11 | 10 | 9 | 8 | 7 | 6 | 5 | 4 | 3 | 2 | 1 | 0 |
|------------|---|--------------|-------|---------------------|----|----|----|----|----|----|----|----|----|----|----|----|----|----|----|----|----|----|---|---|---|---|---|---|---|---|---|---|
| ID         |   |              |       |                     |    |    |    |    |    |    |    |    |    |    |    |    |    |    |    |    |    |    |   |   |   |   |   |   |   |   |   | A |
| Reset      | 0x00000000  |              |       |                     |    |    |    |    |    |    |    |    |    |    |    |    |    |    |    |    |    |    |   |   |   |   |   |   |   |   |   |   |
|            | 0 |              |       |                     |    |    |    |    |    |    |    |    |    |    |    |    |    |    |    |    |    |    |   |   |   |   |   |   |   |   |   |   |
| ID         | Acce Field  | Value ID     | Value | Description         |    |    |    |    |    |    |    |    |    |    |    |    |    |    |    |    |    |    |   |   |   |   |   |   |   |   |   |   |
| A          | RW  | EVENTS_ERROR |       | TWI error           |    |    |    |    |    |    |    |    |    |    |    |    |    |    |    |    |    |    |   |   |   |   |   |   |   |   |   |   |
|            |   | NotGenerated | 0     | Event not generated |    |    |    |    |    |    |    |    |    |    |    |    |    |    |    |    |    |    |   |   |   |   |   |   |   |   |   |   |
|            |   | Generated    | 1     | Event generated     |    |    |    |    |    |    |    |    |    |    |    |    |    |    |    |    |    |    |   |   |   |   |   |   |   |   |   |   |

### 6.32.8.8 EVENTS\_RXSTARTED

Address offset: 0x14C

Receive sequence started

| Bit number | 31  | 30               | 29    | 28                       | 27 | 26 | 25 | 24 | 23 | 22 | 21 | 20 | 19 | 18 | 17 | 16 | 15 | 14 | 13 | 12 | 11 | 10 | 9 | 8 | 7 | 6 | 5 | 4 | 3 | 2 | 1 | 0 |
|------------|---|------------------|-------|--------------------------|----|----|----|----|----|----|----|----|----|----|----|----|----|----|----|----|----|----|---|---|---|---|---|---|---|---|---|---|
| ID         |   |                  |       |                          |    |    |    |    |    |    |    |    |    |    |    |    |    |    |    |    |    |    |   |   |   |   |   |   |   |   |   | A |
| Reset      | 0x00000000  |                  |       |                          |    |    |    |    |    |    |    |    |    |    |    |    |    |    |    |    |    |    |   |   |   |   |   |   |   |   |   |   |
|            | 0 |                  |       |                          |    |    |    |    |    |    |    |    |    |    |    |    |    |    |    |    |    |    |   |   |   |   |   |   |   |   |   |   |
| ID         | Acce Field  | Value ID         | Value | Description              |    |    |    |    |    |    |    |    |    |    |    |    |    |    |    |    |    |    |   |   |   |   |   |   |   |   |   |   |
| A          | RW  | EVENTS_RXSTARTED |       | Receive sequence started |    |    |    |    |    |    |    |    |    |    |    |    |    |    |    |    |    |    |   |   |   |   |   |   |   |   |   |   |
|            |   | NotGenerated     | 0     | Event not generated      |    |    |    |    |    |    |    |    |    |    |    |    |    |    |    |    |    |    |   |   |   |   |   |   |   |   |   |   |
|            |   | Generated        | 1     | Event generated          |    |    |    |    |    |    |    |    |    |    |    |    |    |    |    |    |    |    |   |   |   |   |   |   |   |   |   |   |

### 6.32.8.9 EVENTS\_TXSTARTED

Address offset: 0x150

Transmit sequence started

| Bit number | 31  | 30               | 29    | 28                        | 27 | 26 | 25 | 24 | 23 | 22 | 21 | 20 | 19 | 18 | 17 | 16 | 15 | 14 | 13 | 12 | 11 | 10 | 9 | 8 | 7 | 6 | 5 | 4 | 3 | 2 | 1 | 0 |
|------------|---|------------------|-------|---------------------------|----|----|----|----|----|----|----|----|----|----|----|----|----|----|----|----|----|----|---|---|---|---|---|---|---|---|---|---|
| ID         |   |                  |       |                           |    |    |    |    |    |    |    |    |    |    |    |    |    |    |    |    |    |    |   |   |   |   |   |   |   |   |   | A |
| Reset      | 0x00000000  |                  |       |                           |    |    |    |    |    |    |    |    |    |    |    |    |    |    |    |    |    |    |   |   |   |   |   |   |   |   |   |   |
|            | 0 |                  |       |                           |    |    |    |    |    |    |    |    |    |    |    |    |    |    |    |    |    |    |   |   |   |   |   |   |   |   |   |   |
| ID         | Acce Field  | Value ID         | Value | Description               |    |    |    |    |    |    |    |    |    |    |    |    |    |    |    |    |    |    |   |   |   |   |   |   |   |   |   |   |
| A          | RW  | EVENTS_TXSTARTED |       | Transmit sequence started |    |    |    |    |    |    |    |    |    |    |    |    |    |    |    |    |    |    |   |   |   |   |   |   |   |   |   |   |
|            |   | NotGenerated     | 0     | Event not generated       |    |    |    |    |    |    |    |    |    |    |    |    |    |    |    |    |    |    |   |   |   |   |   |   |   |   |   |   |
|            |   | Generated        | 1     | Event generated           |    |    |    |    |    |    |    |    |    |    |    |    |    |    |    |    |    |    |   |   |   |   |   |   |   |   |   |   |

### 6.32.8.10 EVENTS\_WRITE

Address offset: 0x164

Write command received

| Bit number | 31  | 30           | 29    | 28                     | 27 | 26 | 25 | 24 | 23 | 22 | 21 | 20 | 19 | 18 | 17 | 16 | 15 | 14 | 13 | 12 | 11 | 10 | 9 | 8 | 7 | 6 | 5 | 4 | 3 | 2 | 1 | 0 |
|------------|---|--------------|-------|------------------------|----|----|----|----|----|----|----|----|----|----|----|----|----|----|----|----|----|----|---|---|---|---|---|---|---|---|---|---|
| ID         |   |              |       |                        |    |    |    |    |    |    |    |    |    |    |    |    |    |    |    |    |    |    |   |   |   |   |   |   |   |   |   | A |
| Reset      | 0x00000000  |              |       |                        |    |    |    |    |    |    |    |    |    |    |    |    |    |    |    |    |    |    |   |   |   |   |   |   |   |   |   |   |
|            | 0 |              |       |                        |    |    |    |    |    |    |    |    |    |    |    |    |    |    |    |    |    |    |   |   |   |   |   |   |   |   |   |   |
| ID         | Acce Field  | Value ID     | Value | Description            |    |    |    |    |    |    |    |    |    |    |    |    |    |    |    |    |    |    |   |   |   |   |   |   |   |   |   |   |
| A          | RW  | EVENTS_WRITE |       | Write command received |    |    |    |    |    |    |    |    |    |    |    |    |    |    |    |    |    |    |   |   |   |   |   |   |   |   |   |   |
|            |   | NotGenerated | 0     | Event not generated    |    |    |    |    |    |    |    |    |    |    |    |    |    |    |    |    |    |    |   |   |   |   |   |   |   |   |   |   |
|            |   | Generated    | 1     | Event generated        |    |    |    |    |    |    |    |    |    |    |    |    |    |    |    |    |    |    |   |   |   |   |   |   |   |   |   |   |

### 6.32.8.11 EVENTS\_READ

Address offset: 0x168

Read command received

| Bit number | 31             | 30           | 29    | 28                    | 27 | 26 | 25 | 24 | 23 | 22 | 21 | 20 | 19 | 18 | 17 | 16 | 15 | 14 | 13 | 12 | 11 | 10 | 9 | 8 | 7 | 6 | 5 | 4 | 3 | 2 | 1 | 0 |
|------------|----------------|--------------|-------|-----------------------|----|----|----|----|----|----|----|----|----|----|----|----|----|----|----|----|----|----|---|---|---|---|---|---|---|---|---|---|
| ID         |                |              |       |                       |    |    |    |    |    |    |    |    |    |    |    |    |    |    |    |    |    |    |   |   |   |   |   |   |   |   |   | A |
| Reset      | 0x00000000     |              |       |                       |    |    |    |    |    |    |    |    |    |    |    |    |    |    |    |    |    |    |   |   |   |   |   |   |   |   |   |   |
| Reset      | 0              | 0            | 0     | 0                     | 0  | 0  | 0  | 0  | 0  | 0  | 0  | 0  | 0  | 0  | 0  | 0  | 0  | 0  | 0  | 0  | 0  | 0  | 0 | 0 | 0 | 0 | 0 | 0 | 0 | 0 | 0 | 0 |
| ID         | Acce Field     | Value ID     | Value | Description           |    |    |    |    |    |    |    |    |    |    |    |    |    |    |    |    |    |    |   |   |   |   |   |   |   |   |   |   |
| A          | RW EVENTS_READ |              |       | Read command received |    |    |    |    |    |    |    |    |    |    |    |    |    |    |    |    |    |    |   |   |   |   |   |   |   |   |   |   |
|            |                | NotGenerated | 0     | Event not generated   |    |    |    |    |    |    |    |    |    |    |    |    |    |    |    |    |    |    |   |   |   |   |   |   |   |   |   |   |
|            |                | Generated    | 1     | Event generated       |    |    |    |    |    |    |    |    |    |    |    |    |    |    |    |    |    |    |   |   |   |   |   |   |   |   |   |   |

### 6.32.8.12 SHORTS

Address offset: 0x200

Shortcuts between local events and tasks

| Bit number | 31               | 30       | 29    | 28  | 27 | 26 | 25 | 24 | 23 | 22 | 21 | 20 | 19 | 18 | 17 | 16 | 15 | 14 | 13 | 12 | 11 | 10 | 9 | 8 | 7 | 6 | 5 | 4 | 3 | 2 | 1 | 0   |
|------------|------------------|----------|-------|---|----|----|----|----|----|----|----|----|----|----|----|----|----|----|----|----|----|----|---|---|---|---|---|---|---|---|---|-----|
| ID         |                  |          |       |   |    |    |    |    |    |    |    |    |    |    |    |    |    |    |    |    |    |    |   |   |   |   |   |   |   |   |   | B A |
| Reset      | 0x00000000       |          |       |   |    |    |    |    |    |    |    |    |    |    |    |    |    |    |    |    |    |    |   |   |   |   |   |   |   |   |   |     |
| Reset      | 0                | 0        | 0     | 0   | 0  | 0  | 0  | 0  | 0  | 0  | 0  | 0  | 0  | 0  | 0  | 0  | 0  | 0  | 0  | 0  | 0  | 0  | 0 | 0 | 0 | 0 | 0 | 0 | 0 | 0 | 0 |     |
| ID         | Acce Field       | Value ID | Value | Description   |    |    |    |    |    |    |    |    |    |    |    |    |    |    |    |    |    |    |   |   |   |   |   |   |   |   |   |     |
| A          | RW WRITE_SUSPEND |          |       | Shortcut between event <a href="#">WRITE</a> and task <a href="#">SUSPEND</a> |    |    |    |    |    |    |    |    |    |    |    |    |    |    |    |    |    |    |   |   |   |   |   |   |   |   |   |     |
|            |                  | Disabled | 0     | Disable shortcut  |    |    |    |    |    |    |    |    |    |    |    |    |    |    |    |    |    |    |   |   |   |   |   |   |   |   |   |     |
|            |                  | Enabled  | 1     | Enable shortcut   |    |    |    |    |    |    |    |    |    |    |    |    |    |    |    |    |    |    |   |   |   |   |   |   |   |   |   |     |
| B          | RW READ_SUSPEND  |          |       | Shortcut between event <a href="#">READ</a> and task <a href="#">SUSPEND</a>  |    |    |    |    |    |    |    |    |    |    |    |    |    |    |    |    |    |    |   |   |   |   |   |   |   |   |   |     |
|            |                  | Disabled | 0     | Disable shortcut  |    |    |    |    |    |    |    |    |    |    |    |    |    |    |    |    |    |    |   |   |   |   |   |   |   |   |   |     |
|            |                  | Enabled  | 1     | Enable shortcut   |    |    |    |    |    |    |    |    |    |    |    |    |    |    |    |    |    |    |   |   |   |   |   |   |   |   |   |     |

### 6.32.8.13 INTEN

Address offset: 0x300

Enable or disable interrupt

| Bit number | 31           | 30       | 29    | 28  | 27 | 26 | 25 | 24 | 23 | 22 | 21 | 20 | 19 | 18 | 17 | 16 | 15 | 14 | 13 | 12 | 11 | 10 | 9 | 8 | 7 | 6 | 5 | 4 | 3 | 2 | 1 | 0           |
|------------|--------------|----------|-------|---|----|----|----|----|----|----|----|----|----|----|----|----|----|----|----|----|----|----|---|---|---|---|---|---|---|---|---|-------------|
| ID         |              |          |       |   |    |    |    |    |    |    |    |    |    |    |    |    |    |    |    |    |    |    |   |   |   |   |   |   |   |   |   | H G F E B A |
| Reset      | 0x00000000   |          |       |   |    |    |    |    |    |    |    |    |    |    |    |    |    |    |    |    |    |    |   |   |   |   |   |   |   |   |   |             |
| Reset      | 0            | 0        | 0     | 0   | 0  | 0  | 0  | 0  | 0  | 0  | 0  | 0  | 0  | 0  | 0  | 0  | 0  | 0  | 0  | 0  | 0  | 0  | 0 | 0 | 0 | 0 | 0 | 0 | 0 | 0 | 0 |             |
| ID         | Acce Field   | Value ID | Value | Description   |    |    |    |    |    |    |    |    |    |    |    |    |    |    |    |    |    |    |   |   |   |   |   |   |   |   |   |             |
| A          | RW STOPPED   |          |       | Enable or disable interrupt for event <a href="#">STOPPED</a>   |    |    |    |    |    |    |    |    |    |    |    |    |    |    |    |    |    |    |   |   |   |   |   |   |   |   |   |             |
|            |              | Disabled | 0     | Disable   |    |    |    |    |    |    |    |    |    |    |    |    |    |    |    |    |    |    |   |   |   |   |   |   |   |   |   |             |
|            |              | Enabled  | 1     | Enable  |    |    |    |    |    |    |    |    |    |    |    |    |    |    |    |    |    |    |   |   |   |   |   |   |   |   |   |             |
| B          | RW ERROR     |          |       | Enable or disable interrupt for event <a href="#">ERROR</a>     |    |    |    |    |    |    |    |    |    |    |    |    |    |    |    |    |    |    |   |   |   |   |   |   |   |   |   |             |
|            |              | Disabled | 0     | Disable   |    |    |    |    |    |    |    |    |    |    |    |    |    |    |    |    |    |    |   |   |   |   |   |   |   |   |   |             |
|            |              | Enabled  | 1     | Enable  |    |    |    |    |    |    |    |    |    |    |    |    |    |    |    |    |    |    |   |   |   |   |   |   |   |   |   |             |
| E          | RW RXSTARTED |          |       | Enable or disable interrupt for event <a href="#">RXSTARTED</a> |    |    |    |    |    |    |    |    |    |    |    |    |    |    |    |    |    |    |   |   |   |   |   |   |   |   |   |             |
|            |              | Disabled | 0     | Disable   |    |    |    |    |    |    |    |    |    |    |    |    |    |    |    |    |    |    |   |   |   |   |   |   |   |   |   |             |
|            |              | Enabled  | 1     | Enable  |    |    |    |    |    |    |    |    |    |    |    |    |    |    |    |    |    |    |   |   |   |   |   |   |   |   |   |             |
| F          | RW TXSTARTED |          |       | Enable or disable interrupt for event <a href="#">TXSTARTED</a> |    |    |    |    |    |    |    |    |    |    |    |    |    |    |    |    |    |    |   |   |   |   |   |   |   |   |   |             |
|            |              | Disabled | 0     | Disable   |    |    |    |    |    |    |    |    |    |    |    |    |    |    |    |    |    |    |   |   |   |   |   |   |   |   |   |             |
|            |              | Enabled  | 1     | Enable  |    |    |    |    |    |    |    |    |    |    |    |    |    |    |    |    |    |    |   |   |   |   |   |   |   |   |   |             |
| G          | RW WRITE     |          |       | Enable or disable interrupt for event <a href="#">WRITE</a>     |    |    |    |    |    |    |    |    |    |    |    |    |    |    |    |    |    |    |   |   |   |   |   |   |   |   |   |             |
|            |              | Disabled | 0     | Disable   |    |    |    |    |    |    |    |    |    |    |    |    |    |    |    |    |    |    |   |   |   |   |   |   |   |   |   |             |
|            |              | Enabled  | 1     | Enable  |    |    |    |    |    |    |    |    |    |    |    |    |    |    |    |    |    |    |   |   |   |   |   |   |   |   |   |             |
| H          | RW READ      |          |       | Enable or disable interrupt for event <a href="#">READ</a>      |    |    |    |    |    |    |    |    |    |    |    |    |    |    |    |    |    |    |   |   |   |   |   |   |   |   |   |             |
|            |              | Disabled | 0     | Disable   |    |    |    |    |    |    |    |    |    |    |    |    |    |    |    |    |    |    |   |   |   |   |   |   |   |   |   |             |
|            |              | Enabled  | 1     | Enable  |    |    |    |    |    |    |    |    |    |    |    |    |    |    |    |    |    |    |   |   |   |   |   |   |   |   |   |             |

### 6.32.8.14 INTENSET

Address offset: 0x304

Enable interrupt

| Bit number       | 31 30 29 28 27 26 25 24 23 22 21 20 19 18 17 16 15 14 13 12 11 10 9 8 7 6 5 4 3 2 1 0 |           |          |    |                |  |     |  |  |  |  |  |   |  |  |  |  |  |   |  |  |  |  |  |  |  |  |  |  |  |  |
|------------------|---|-----------|----------|----|----------------|--|-----|--|--|--|--|--|---|--|--|--|--|--|---|--|--|--|--|--|--|--|--|--|--|--|--|
| ID               | H G   |           |          |    |                |  | F E |  |  |  |  |  | B |  |  |  |  |  | A |  |  |  |  |  |  |  |  |  |  |  |  |
| Reset 0x00000000 | 0             |           |          |    |                |  |     |  |  |  |  |  |   |  |  |  |  |  |   |  |  |  |  |  |  |  |  |  |  |  |  |
| ID               | Acce  | Field     | Value    | ID | Value          | Description  |     |  |  |  |  |  |   |  |  |  |  |  |   |  |  |  |  |  |  |  |  |  |  |  |  |
| A                | RW  | STOPPED   |          |    |                | Write '1' to enable interrupt for event <b>STOPPED</b> |     |  |  |  |  |  |   |  |  |  |  |  |   |  |  |  |  |  |  |  |  |  |  |  |  |
|                  |   |           | Set      | 1  | Enable         |  |     |  |  |  |  |  |   |  |  |  |  |  |   |  |  |  |  |  |  |  |  |  |  |  |  |
|                  |   |           | Disabled | 0  | Read: Disabled |  |     |  |  |  |  |  |   |  |  |  |  |  |   |  |  |  |  |  |  |  |  |  |  |  |  |
| B                | RW  | ERROR     | Enabled  | 1  | Read: Enabled  |  |     |  |  |  |  |  |   |  |  |  |  |  |   |  |  |  |  |  |  |  |  |  |  |  |  |
|                  |   |           | Set      | 1  | Enable         |  |     |  |  |  |  |  |   |  |  |  |  |  |   |  |  |  |  |  |  |  |  |  |  |  |  |
|                  |   |           | Disabled | 0  | Read: Disabled |  |     |  |  |  |  |  |   |  |  |  |  |  |   |  |  |  |  |  |  |  |  |  |  |  |  |
| E                | RW  | RXSTARTED | Enabled  | 1  | Read: Enabled  |  |     |  |  |  |  |  |   |  |  |  |  |  |   |  |  |  |  |  |  |  |  |  |  |  |  |
|                  |   |           | Set      | 1  | Enable         |  |     |  |  |  |  |  |   |  |  |  |  |  |   |  |  |  |  |  |  |  |  |  |  |  |  |
|                  |   |           | Disabled | 0  | Read: Disabled |  |     |  |  |  |  |  |   |  |  |  |  |  |   |  |  |  |  |  |  |  |  |  |  |  |  |
| F                | RW  | TXSTARTED | Enabled  | 1  | Read: Enabled  |  |     |  |  |  |  |  |   |  |  |  |  |  |   |  |  |  |  |  |  |  |  |  |  |  |  |
|                  |   |           | Set      | 1  | Enable         |  |     |  |  |  |  |  |   |  |  |  |  |  |   |  |  |  |  |  |  |  |  |  |  |  |  |
|                  |   |           | Disabled | 0  | Read: Disabled |  |     |  |  |  |  |  |   |  |  |  |  |  |   |  |  |  |  |  |  |  |  |  |  |  |  |
| G                | RW  | WRITE     | Enabled  | 1  | Read: Enabled  |  |     |  |  |  |  |  |   |  |  |  |  |  |   |  |  |  |  |  |  |  |  |  |  |  |  |
|                  |   |           | Set      | 1  | Enable         |  |     |  |  |  |  |  |   |  |  |  |  |  |   |  |  |  |  |  |  |  |  |  |  |  |  |
|                  |   |           | Disabled | 0  | Read: Disabled |  |     |  |  |  |  |  |   |  |  |  |  |  |   |  |  |  |  |  |  |  |  |  |  |  |  |
| H                | RW  | READ      | Enabled  | 1  | Read: Enabled  |  |     |  |  |  |  |  |   |  |  |  |  |  |   |  |  |  |  |  |  |  |  |  |  |  |  |
|                  |   |           | Set      | 1  | Enable         |  |     |  |  |  |  |  |   |  |  |  |  |  |   |  |  |  |  |  |  |  |  |  |  |  |  |
|                  |   |           | Disabled | 0  | Read: Disabled |  |     |  |  |  |  |  |   |  |  |  |  |  |   |  |  |  |  |  |  |  |  |  |  |  |  |

### 6.32.8.15 INTENCLR

Address offset: 0x308

Disable interrupt

| Bit number       | 31 30 29 28 27 26 25 24 23 22 21 20 19 18 17 16 15 14 13 12 11 10 9 8 7 6 5 4 3 2 1 0 |           |          |    |                |   |     |  |  |  |  |  |   |  |  |  |  |  |   |  |  |  |  |  |  |  |  |  |  |  |  |
|------------------|---|-----------|----------|----|----------------|---|-----|--|--|--|--|--|---|--|--|--|--|--|---|--|--|--|--|--|--|--|--|--|--|--|--|
| ID               | H G   |           |          |    |                |   | F E |  |  |  |  |  | B |  |  |  |  |  | A |  |  |  |  |  |  |  |  |  |  |  |  |
| Reset 0x00000000 | 0             |           |          |    |                |   |     |  |  |  |  |  |   |  |  |  |  |  |   |  |  |  |  |  |  |  |  |  |  |  |  |
| ID               | Acce  | Field     | Value    | ID | Value          | Description   |     |  |  |  |  |  |   |  |  |  |  |  |   |  |  |  |  |  |  |  |  |  |  |  |  |
| A                | RW  | STOPPED   |          |    |                | Write '1' to disable interrupt for event <b>STOPPED</b> |     |  |  |  |  |  |   |  |  |  |  |  |   |  |  |  |  |  |  |  |  |  |  |  |  |
|                  |   |           | Clear    | 1  | Disable        |   |     |  |  |  |  |  |   |  |  |  |  |  |   |  |  |  |  |  |  |  |  |  |  |  |  |
|                  |   |           | Disabled | 0  | Read: Disabled |   |     |  |  |  |  |  |   |  |  |  |  |  |   |  |  |  |  |  |  |  |  |  |  |  |  |
| B                | RW  | ERROR     | Enabled  | 1  | Read: Enabled  |   |     |  |  |  |  |  |   |  |  |  |  |  |   |  |  |  |  |  |  |  |  |  |  |  |  |
|                  |   |           | Clear    | 1  | Disable        |   |     |  |  |  |  |  |   |  |  |  |  |  |   |  |  |  |  |  |  |  |  |  |  |  |  |
|                  |   |           | Disabled | 0  | Read: Disabled |   |     |  |  |  |  |  |   |  |  |  |  |  |   |  |  |  |  |  |  |  |  |  |  |  |  |
| E                | RW  | RXSTARTED | Enabled  | 1  | Read: Enabled  |   |     |  |  |  |  |  |   |  |  |  |  |  |   |  |  |  |  |  |  |  |  |  |  |  |  |
|                  |   |           | Clear    | 1  | Disable        |   |     |  |  |  |  |  |   |  |  |  |  |  |   |  |  |  |  |  |  |  |  |  |  |  |  |

| Bit number              |              | 31 30 29 28 27 26 25 24 23 22 21 20 19 18 17 16 15 14 13 12 11 10 9 8 7 6 5 4 3 2 1 0 |       |   |  |  |  |  |  |     |  |  |  |  |  |  |  |   |  |  |  |  |  |  |  |   |  |  |  |
|-------------------------|--------------|---|-------|---|--|--|--|--|--|-----|--|--|--|--|--|--|--|---|--|--|--|--|--|--|--|---|--|--|--|
| ID                      |              | H G   |       |   |  |  |  |  |  | F E |  |  |  |  |  |  |  | B |  |  |  |  |  |  |  | A |  |  |  |
| <b>Reset 0x00000000</b> |              | <b>0 0</b>                |       |   |  |  |  |  |  |     |  |  |  |  |  |  |  |   |  |  |  |  |  |  |  |   |  |  |  |
| ID                      | Acce Field   | Value ID  | Value | Description   |  |  |  |  |  |     |  |  |  |  |  |  |  |   |  |  |  |  |  |  |  |   |  |  |  |
|                         |              | Disabled  | 0     | Read: Disabled  |  |  |  |  |  |     |  |  |  |  |  |  |  |   |  |  |  |  |  |  |  |   |  |  |  |
|                         |              | Enabled   | 1     | Read: Enabled   |  |  |  |  |  |     |  |  |  |  |  |  |  |   |  |  |  |  |  |  |  |   |  |  |  |
| F                       | RW TXSTARTED |   |       | Write '1' to disable interrupt for event <b>TXSTARTED</b> |  |  |  |  |  |     |  |  |  |  |  |  |  |   |  |  |  |  |  |  |  |   |  |  |  |
|                         |              | Clear   | 1     | Disable   |  |  |  |  |  |     |  |  |  |  |  |  |  |   |  |  |  |  |  |  |  |   |  |  |  |
|                         |              | Disabled  | 0     | Read: Disabled  |  |  |  |  |  |     |  |  |  |  |  |  |  |   |  |  |  |  |  |  |  |   |  |  |  |
|                         |              | Enabled   | 1     | Read: Enabled   |  |  |  |  |  |     |  |  |  |  |  |  |  |   |  |  |  |  |  |  |  |   |  |  |  |
| G                       | RW WRITE     |   |       | Write '1' to disable interrupt for event <b>WRITE</b>     |  |  |  |  |  |     |  |  |  |  |  |  |  |   |  |  |  |  |  |  |  |   |  |  |  |
|                         |              | Clear   | 1     | Disable   |  |  |  |  |  |     |  |  |  |  |  |  |  |   |  |  |  |  |  |  |  |   |  |  |  |
|                         |              | Disabled  | 0     | Read: Disabled  |  |  |  |  |  |     |  |  |  |  |  |  |  |   |  |  |  |  |  |  |  |   |  |  |  |
|                         |              | Enabled   | 1     | Read: Enabled   |  |  |  |  |  |     |  |  |  |  |  |  |  |   |  |  |  |  |  |  |  |   |  |  |  |
| H                       | RW READ      |   |       | Write '1' to disable interrupt for event <b>READ</b>      |  |  |  |  |  |     |  |  |  |  |  |  |  |   |  |  |  |  |  |  |  |   |  |  |  |
|                         |              | Clear   | 1     | Disable   |  |  |  |  |  |     |  |  |  |  |  |  |  |   |  |  |  |  |  |  |  |   |  |  |  |
|                         |              | Disabled  | 0     | Read: Disabled  |  |  |  |  |  |     |  |  |  |  |  |  |  |   |  |  |  |  |  |  |  |   |  |  |  |
|                         |              | Enabled   | 1     | Read: Enabled   |  |  |  |  |  |     |  |  |  |  |  |  |  |   |  |  |  |  |  |  |  |   |  |  |  |

### 6.32.8.16 ERRORSRC

Address offset: 0x4D0

Error source

| Bit number              |             | 31 30 29 28 27 26 25 24 23 22 21 20 19 18 17 16 15 14 13 12 11 10 9 8 7 6 5 4 3 2 1 0 |       |   |  |  |  |  |  |  |  |  |  |  |  |  |  |  |  |  |  |  |  |  |  |     |  |   |  |
|-------------------------|-------------|---|-------|---|--|--|--|--|--|--|--|--|--|--|--|--|--|--|--|--|--|--|--|--|--|-----|--|---|--|
| ID                      |             |   |       |   |  |  |  |  |  |  |  |  |  |  |  |  |  |  |  |  |  |  |  |  |  | C B |  | A |  |
| <b>Reset 0x00000000</b> |             | <b>0 0</b>                    |       |   |  |  |  |  |  |  |  |  |  |  |  |  |  |  |  |  |  |  |  |  |  |     |  |   |  |
| ID                      | Acce Field  | Value ID  | Value | Description                                 |  |  |  |  |  |  |  |  |  |  |  |  |  |  |  |  |  |  |  |  |  |     |  |   |  |
| A                       | RW OVERFLOW |   |       | RX buffer overflow detected, and prevented  |  |  |  |  |  |  |  |  |  |  |  |  |  |  |  |  |  |  |  |  |  |     |  |   |  |
|                         |             | NotDetected   | 0     | Error did not occur                         |  |  |  |  |  |  |  |  |  |  |  |  |  |  |  |  |  |  |  |  |  |     |  |   |  |
|                         |             | Detected  | 1     | Error occurred                              |  |  |  |  |  |  |  |  |  |  |  |  |  |  |  |  |  |  |  |  |  |     |  |   |  |
| B                       | RW DNACK    |   |       | NACK sent after receiving a data byte       |  |  |  |  |  |  |  |  |  |  |  |  |  |  |  |  |  |  |  |  |  |     |  |   |  |
|                         |             | NotReceived   | 0     | Error did not occur                         |  |  |  |  |  |  |  |  |  |  |  |  |  |  |  |  |  |  |  |  |  |     |  |   |  |
|                         |             | Received  | 1     | Error occurred                              |  |  |  |  |  |  |  |  |  |  |  |  |  |  |  |  |  |  |  |  |  |     |  |   |  |
| C                       | RW OVERREAD |   |       | TX buffer over-read detected, and prevented |  |  |  |  |  |  |  |  |  |  |  |  |  |  |  |  |  |  |  |  |  |     |  |   |  |
|                         |             | NotDetected   | 0     | Error did not occur                         |  |  |  |  |  |  |  |  |  |  |  |  |  |  |  |  |  |  |  |  |  |     |  |   |  |
|                         |             | Detected  | 1     | Error occurred                              |  |  |  |  |  |  |  |  |  |  |  |  |  |  |  |  |  |  |  |  |  |     |  |   |  |

### 6.32.8.17 MATCH

Address offset: 0x4D4

Status register indicating which address had a match

| Bit number              |            | 31 30 29 28 27 26 25 24 23 22 21 20 19 18 17 16 15 14 13 12 11 10 9 8 7 6 5 4 3 2 1 0 |        |  |  |  |  |  |  |  |  |  |  |  |  |  |  |  |  |  |  |  |  |  |  |     |  |   |  |
|-------------------------|------------|---|--------|--|--|--|--|--|--|--|--|--|--|--|--|--|--|--|--|--|--|--|--|--|--|-----|--|---|--|
| ID                      |            |   |        |  |  |  |  |  |  |  |  |  |  |  |  |  |  |  |  |  |  |  |  |  |  | C B |  | A |  |
| <b>Reset 0x00000000</b> |            | <b>0 0</b>                    |        |  |  |  |  |  |  |  |  |  |  |  |  |  |  |  |  |  |  |  |  |  |  |     |  |   |  |
| ID                      | Acce Field | Value ID  | Value  | Description  |  |  |  |  |  |  |  |  |  |  |  |  |  |  |  |  |  |  |  |  |  |     |  |   |  |
| A                       | R MATCH    |   | [0..1] | Indication of which address in {ADDRESS} that matched the incoming address |  |  |  |  |  |  |  |  |  |  |  |  |  |  |  |  |  |  |  |  |  |     |  |   |  |

### 6.32.8.18 ENABLE

Address offset: 0x500

## Enable TWIS

| Bit number              | 31 30 29 28 27 26 25 24 23 22 21 20 19 18 17 16 15 14 13 12 11 10 9 8 7 6 5 4 3 2 1 0 |          |       |                        |  |  |  |  |  |  |  |  |  |  |  |  |  |  |  |  |  |  |  |  |  |  |  |  |  |  |  |
|-------------------------|---|----------|-------|------------------------|--|--|--|--|--|--|--|--|--|--|--|--|--|--|--|--|--|--|--|--|--|--|--|--|--|--|--|
| ID                      | A A A A   |          |       |                        |  |  |  |  |  |  |  |  |  |  |  |  |  |  |  |  |  |  |  |  |  |  |  |  |  |  |  |
| <b>Reset 0x00000000</b> | <b>0 0</b>            |          |       |                        |  |  |  |  |  |  |  |  |  |  |  |  |  |  |  |  |  |  |  |  |  |  |  |  |  |  |  |
| ID                      | Acce Field  | Value ID | Value | Description            |  |  |  |  |  |  |  |  |  |  |  |  |  |  |  |  |  |  |  |  |  |  |  |  |  |  |  |
| A                       | RW ENABLE   |          |       | Enable or disable TWIS |  |  |  |  |  |  |  |  |  |  |  |  |  |  |  |  |  |  |  |  |  |  |  |  |  |  |  |
|                         |   | Disabled | 0     | Disable TWIS           |  |  |  |  |  |  |  |  |  |  |  |  |  |  |  |  |  |  |  |  |  |  |  |  |  |  |  |
|                         |   | Enabled  | 9     | Enable TWIS            |  |  |  |  |  |  |  |  |  |  |  |  |  |  |  |  |  |  |  |  |  |  |  |  |  |  |  |

### 6.32.8.19 PSEL.SCL

Address offset: 0x508

Pin select for SCL signal

| Bit number              | 31 30 29 28 27 26 25 24 23 22 21 20 19 18 17 16 15 14 13 12 11 10 9 8 7 6 5 4 3 2 1 0 |              |         |             |  |  |  |  |  |  |  |  |  |  |  |  |  |  |  |  |  |  |  |  |  |  |  |  |  |  |  |
|-------------------------|---|--------------|---------|-------------|--|--|--|--|--|--|--|--|--|--|--|--|--|--|--|--|--|--|--|--|--|--|--|--|--|--|--|
| ID                      | C B A A A A A   |              |         |             |  |  |  |  |  |  |  |  |  |  |  |  |  |  |  |  |  |  |  |  |  |  |  |  |  |  |  |
| <b>Reset 0xFFFFFFFF</b> | <b>1 1</b>              |              |         |             |  |  |  |  |  |  |  |  |  |  |  |  |  |  |  |  |  |  |  |  |  |  |  |  |  |  |  |
| ID                      | Acce Field  | Value ID     | Value   | Description |  |  |  |  |  |  |  |  |  |  |  |  |  |  |  |  |  |  |  |  |  |  |  |  |  |  |  |
| A                       | RW PIN  |              | [0..31] | Pin number  |  |  |  |  |  |  |  |  |  |  |  |  |  |  |  |  |  |  |  |  |  |  |  |  |  |  |  |
| B                       | RW PORT   |              | [0..1]  | Port number |  |  |  |  |  |  |  |  |  |  |  |  |  |  |  |  |  |  |  |  |  |  |  |  |  |  |  |
| C                       | RW CONNECT  |              |         | Connection  |  |  |  |  |  |  |  |  |  |  |  |  |  |  |  |  |  |  |  |  |  |  |  |  |  |  |  |
|                         |   | Disconnected | 1       | Disconnect  |  |  |  |  |  |  |  |  |  |  |  |  |  |  |  |  |  |  |  |  |  |  |  |  |  |  |  |
|                         |   | Connected    | 0       | Connect     |  |  |  |  |  |  |  |  |  |  |  |  |  |  |  |  |  |  |  |  |  |  |  |  |  |  |  |

### 6.32.8.20 PSEL.SDA

Address offset: 0x50C

Pin select for SDA signal

| Bit number              | 31 30 29 28 27 26 25 24 23 22 21 20 19 18 17 16 15 14 13 12 11 10 9 8 7 6 5 4 3 2 1 0 |              |         |             |  |  |  |  |  |  |  |  |  |  |  |  |  |  |  |  |  |  |  |  |  |  |  |  |  |  |  |
|-------------------------|---|--------------|---------|-------------|--|--|--|--|--|--|--|--|--|--|--|--|--|--|--|--|--|--|--|--|--|--|--|--|--|--|--|
| ID                      | C B A A A A A   |              |         |             |  |  |  |  |  |  |  |  |  |  |  |  |  |  |  |  |  |  |  |  |  |  |  |  |  |  |  |
| <b>Reset 0xFFFFFFFF</b> | <b>1 1</b>              |              |         |             |  |  |  |  |  |  |  |  |  |  |  |  |  |  |  |  |  |  |  |  |  |  |  |  |  |  |  |
| ID                      | Acce Field  | Value ID     | Value   | Description |  |  |  |  |  |  |  |  |  |  |  |  |  |  |  |  |  |  |  |  |  |  |  |  |  |  |  |
| A                       | RW PIN  |              | [0..31] | Pin number  |  |  |  |  |  |  |  |  |  |  |  |  |  |  |  |  |  |  |  |  |  |  |  |  |  |  |  |
| B                       | RW PORT   |              | [0..1]  | Port number |  |  |  |  |  |  |  |  |  |  |  |  |  |  |  |  |  |  |  |  |  |  |  |  |  |  |  |
| C                       | RW CONNECT  |              |         | Connection  |  |  |  |  |  |  |  |  |  |  |  |  |  |  |  |  |  |  |  |  |  |  |  |  |  |  |  |
|                         |   | Disconnected | 1       | Disconnect  |  |  |  |  |  |  |  |  |  |  |  |  |  |  |  |  |  |  |  |  |  |  |  |  |  |  |  |
|                         |   | Connected    | 0       | Connect     |  |  |  |  |  |  |  |  |  |  |  |  |  |  |  |  |  |  |  |  |  |  |  |  |  |  |  |

### 6.32.8.21 RXD.PTR

Address offset: 0x534

RXD Data pointer

| Bit number       | 31          | 30       | 29    | 28               | 27 | 26 | 25 | 24 | 23 | 22 | 21 | 20 | 19 | 18 | 17 | 16 | 15 | 14 | 13 | 12 | 11 | 10 | 9 | 8 | 7 | 6 | 5 | 4 | 3 | 2 | 1 | 0 |
|------------------|-------------|----------|-------|------------------|----|----|----|----|----|----|----|----|----|----|----|----|----|----|----|----|----|----|---|---|---|---|---|---|---|---|---|---|
| ID               | A           | A        | A     | A                | A  | A  | A  | A  | A  | A  | A  | A  | A  | A  | A  | A  | A  | A  | A  | A  | A  | A  | A | A | A | A | A | A | A | A | A | A |
| Reset 0x00000000 | 0           | 0        | 0     | 0                | 0  | 0  | 0  | 0  | 0  | 0  | 0  | 0  | 0  | 0  | 0  | 0  | 0  | 0  | 0  | 0  | 0  | 0  | 0 | 0 | 0 | 0 | 0 | 0 | 0 | 0 | 0 | 0 |
| ID               | Acces Field | Value ID | Value | Description      |    |    |    |    |    |    |    |    |    |    |    |    |    |    |    |    |    |    |   |   |   |   |   |   |   |   |   |   |
| A                | RW PTR      |          |       | RXD Data pointer |    |    |    |    |    |    |    |    |    |    |    |    |    |    |    |    |    |    |   |   |   |   |   |   |   |   |   |   |

See the memory chapter for details about which memories are available for EasyDMA.

### 6.32.8.22 RXD.MAXCNT

Address offset: 0x538

Maximum number of bytes in RXD buffer

| Bit number       | 31          | 30       | 29          | 28                                    | 27 | 26 | 25 | 24 | 23 | 22 | 21 | 20 | 19 | 18 | 17 | 16 | 15 | 14 | 13 | 12 | 11 | 10 | 9 | 8 | 7 | 6 | 5 | 4 | 3 | 2 | 1 | 0 |
|------------------|-------------|----------|-------------|---------------------------------------|----|----|----|----|----|----|----|----|----|----|----|----|----|----|----|----|----|----|---|---|---|---|---|---|---|---|---|---|
| ID               |             |          |             |                                       |    |    |    |    |    |    |    |    |    |    |    |    |    |    |    |    | A  | A  | A | A | A | A | A | A | A | A | A | A |
| Reset 0x00000000 | 0           | 0        | 0           | 0                                     | 0  | 0  | 0  | 0  | 0  | 0  | 0  | 0  | 0  | 0  | 0  | 0  | 0  | 0  | 0  | 0  | 0  | 0  | 0 | 0 | 0 | 0 | 0 | 0 | 0 | 0 | 0 | 0 |
| ID               | Acces Field | Value ID | Value       | Description                           |    |    |    |    |    |    |    |    |    |    |    |    |    |    |    |    |    |    |   |   |   |   |   |   |   |   |   |   |
| A                | RW MAXCNT   |          | [0..0xFFFF] | Maximum number of bytes in RXD buffer |    |    |    |    |    |    |    |    |    |    |    |    |    |    |    |    |    |    |   |   |   |   |   |   |   |   |   |   |

### 6.32.8.23 RXD.AMOUNT

Address offset: 0x53C

Number of bytes transferred in the last RXD transaction

| Bit number       | 31          | 30       | 29          | 28  | 27 | 26 | 25 | 24 | 23 | 22 | 21 | 20 | 19 | 18 | 17 | 16 | 15 | 14 | 13 | 12 | 11 | 10 | 9 | 8 | 7 | 6 | 5 | 4 | 3 | 2 | 1 | 0 |
|------------------|-------------|----------|-------------|---|----|----|----|----|----|----|----|----|----|----|----|----|----|----|----|----|----|----|---|---|---|---|---|---|---|---|---|---|
| ID               |             |          |             |   |    |    |    |    |    |    |    |    |    |    |    |    |    |    |    |    | A  | A  | A | A | A | A | A | A | A | A | A | A |
| Reset 0x00000000 | 0           | 0        | 0           | 0   | 0  | 0  | 0  | 0  | 0  | 0  | 0  | 0  | 0  | 0  | 0  | 0  | 0  | 0  | 0  | 0  | 0  | 0  | 0 | 0 | 0 | 0 | 0 | 0 | 0 | 0 | 0 | 0 |
| ID               | Acces Field | Value ID | Value       | Description   |    |    |    |    |    |    |    |    |    |    |    |    |    |    |    |    |    |    |   |   |   |   |   |   |   |   |   |   |
| A                | R AMOUNT    |          | [0..0xFFFF] | Number of bytes transferred in the last RXD transaction |    |    |    |    |    |    |    |    |    |    |    |    |    |    |    |    |    |    |   |   |   |   |   |   |   |   |   |   |

### 6.32.8.24 RXD.LIST

Address offset: 0x540

EasyDMA list type

| Bit number       | 31          | 30        | 29    | 28                   | 27 | 26 | 25 | 24 | 23 | 22 | 21 | 20 | 19 | 18 | 17 | 16 | 15 | 14 | 13 | 12 | 11 | 10 | 9 | 8 | 7 | 6 | 5 | 4 | 3 | 2 | 1 | 0 |   |
|------------------|-------------|-----------|-------|----------------------|----|----|----|----|----|----|----|----|----|----|----|----|----|----|----|----|----|----|---|---|---|---|---|---|---|---|---|---|---|
| ID               |             |           |       |                      |    |    |    |    |    |    |    |    |    |    |    |    |    |    |    |    |    |    |   |   |   |   |   |   |   |   |   | A | A |
| Reset 0x00000000 | 0           | 0         | 0     | 0                    | 0  | 0  | 0  | 0  | 0  | 0  | 0  | 0  | 0  | 0  | 0  | 0  | 0  | 0  | 0  | 0  | 0  | 0  | 0 | 0 | 0 | 0 | 0 | 0 | 0 | 0 | 0 | 0 |   |
| ID               | Acces Field | Value ID  | Value | Description          |    |    |    |    |    |    |    |    |    |    |    |    |    |    |    |    |    |    |   |   |   |   |   |   |   |   |   |   |   |
| A                | RW LIST     |           |       | List type            |    |    |    |    |    |    |    |    |    |    |    |    |    |    |    |    |    |    |   |   |   |   |   |   |   |   |   |   |   |
|                  |             | Disabled  | 0     | Disable EasyDMA list |    |    |    |    |    |    |    |    |    |    |    |    |    |    |    |    |    |    |   |   |   |   |   |   |   |   |   |   |   |
|                  |             | ArrayList | 1     | Use array list       |    |    |    |    |    |    |    |    |    |    |    |    |    |    |    |    |    |    |   |   |   |   |   |   |   |   |   |   |   |

### 6.32.8.25 TXD.PTR

Address offset: 0x544

TXD Data pointer

|                         |   |    |    |    |    |    |    |    |    |    |    |    |    |    |    |    |    |    |    |    |    |    |   |   |   |   |   |   |   |   |   |   |
|-------------------------|---|----|----|----|----|----|----|----|----|----|----|----|----|----|----|----|----|----|----|----|----|----|---|---|---|---|---|---|---|---|---|---|
| Bit number              | 31  | 30 | 29 | 28 | 27 | 26 | 25 | 24 | 23 | 22 | 21 | 20 | 19 | 18 | 17 | 16 | 15 | 14 | 13 | 12 | 11 | 10 | 9 | 8 | 7 | 6 | 5 | 4 | 3 | 2 | 1 | 0 |
| ID                      | A             |    |    |    |    |    |    |    |    |    |    |    |    |    |    |    |    |    |    |    |    |    |   |   |   |   |   |   |   |   |   |   |
| <b>Reset 0x00000000</b> | 0 |    |    |    |    |    |    |    |    |    |    |    |    |    |    |    |    |    |    |    |    |    |   |   |   |   |   |   |   |   |   |   |

| ID | Acce Field | Value ID | Value | Description      |
|----|------------|----------|-------|------------------|
| A  | RW         | PTR      |       | TXD Data pointer |

See the memory chapter for details about which memories are available for EasyDMA.

### 6.32.8.26 TXD.MAXCNT

Address offset: 0x548

Maximum number of bytes in TXD buffer

|                         |   |    |    |    |    |    |    |    |    |    |    |    |    |    |    |    |    |    |    |    |    |    |   |   |   |   |   |   |   |   |   |   |
|-------------------------|---|----|----|----|----|----|----|----|----|----|----|----|----|----|----|----|----|----|----|----|----|----|---|---|---|---|---|---|---|---|---|---|
| Bit number              | 31  | 30 | 29 | 28 | 27 | 26 | 25 | 24 | 23 | 22 | 21 | 20 | 19 | 18 | 17 | 16 | 15 | 14 | 13 | 12 | 11 | 10 | 9 | 8 | 7 | 6 | 5 | 4 | 3 | 2 | 1 | 0 |
| ID                      | A             |    |    |    |    |    |    |    |    |    |    |    |    |    |    |    |    |    |    |    |    |    |   |   |   |   |   |   |   |   |   |   |
| <b>Reset 0x00000000</b> | 0 |    |    |    |    |    |    |    |    |    |    |    |    |    |    |    |    |    |    |    |    |    |   |   |   |   |   |   |   |   |   |   |

| ID | Acce Field | Value ID | Value       | Description                           |
|----|------------|----------|-------------|---------------------------------------|
| A  | RW         | MAXCNT   | [0..0xFFFF] | Maximum number of bytes in TXD buffer |

### 6.32.8.27 TXD.AMOUNT

Address offset: 0x54C

Number of bytes transferred in the last TXD transaction

|                         |   |    |    |    |    |    |    |    |    |    |    |    |    |    |    |    |    |    |    |    |    |    |   |   |   |   |   |   |   |   |   |   |
|-------------------------|---|----|----|----|----|----|----|----|----|----|----|----|----|----|----|----|----|----|----|----|----|----|---|---|---|---|---|---|---|---|---|---|
| Bit number              | 31  | 30 | 29 | 28 | 27 | 26 | 25 | 24 | 23 | 22 | 21 | 20 | 19 | 18 | 17 | 16 | 15 | 14 | 13 | 12 | 11 | 10 | 9 | 8 | 7 | 6 | 5 | 4 | 3 | 2 | 1 | 0 |
| ID                      | A             |    |    |    |    |    |    |    |    |    |    |    |    |    |    |    |    |    |    |    |    |    |   |   |   |   |   |   |   |   |   |   |
| <b>Reset 0x00000000</b> | 0 |    |    |    |    |    |    |    |    |    |    |    |    |    |    |    |    |    |    |    |    |    |   |   |   |   |   |   |   |   |   |   |

| ID | Acce Field | Value ID | Value       | Description   |
|----|------------|----------|-------------|---|
| A  | R          | AMOUNT   | [0..0xFFFF] | Number of bytes transferred in the last TXD transaction |

### 6.32.8.28 TXD.LIST

Address offset: 0x550

EasyDMA list type

|                         |   |    |    |    |    |    |    |    |    |    |    |    |    |    |    |    |    |    |    |    |    |    |   |   |   |   |   |   |   |   |   |   |
|-------------------------|---|----|----|----|----|----|----|----|----|----|----|----|----|----|----|----|----|----|----|----|----|----|---|---|---|---|---|---|---|---|---|---|
| Bit number              | 31  | 30 | 29 | 28 | 27 | 26 | 25 | 24 | 23 | 22 | 21 | 20 | 19 | 18 | 17 | 16 | 15 | 14 | 13 | 12 | 11 | 10 | 9 | 8 | 7 | 6 | 5 | 4 | 3 | 2 | 1 | 0 |
| ID                      | A A   |    |    |    |    |    |    |    |    |    |    |    |    |    |    |    |    |    |    |    |    |    |   |   |   |   |   |   |   |   |   |   |
| <b>Reset 0x00000000</b> | 0 |    |    |    |    |    |    |    |    |    |    |    |    |    |    |    |    |    |    |    |    |    |   |   |   |   |   |   |   |   |   |   |

| ID | Acce Field | Value ID  | Value | Description          |
|----|------------|-----------|-------|----------------------|
| A  | RW         | LIST      |       | List type            |
|    |            | Disabled  | 0     | Disable EasyDMA list |
|    |            | ArrayList | 1     | Use array list       |

### 6.32.8.29 ADDRESS[n] (n=0..1)

Address offset: 0x588 + (n × 0x4)

TWI slave address n



|            |            |          |       |                   |    |    |    |    |    |    |    |    |    |    |    |    |    |    |    |    |    |    |   |   |   |   |   |   |   |   |   |   |   |   |   |   |   |   |   |   |   |   |   |   |   |   |   |   |   |   |   |   |   |   |   |   |   |
|------------|------------|----------|-------|-------------------|----|----|----|----|----|----|----|----|----|----|----|----|----|----|----|----|----|----|---|---|---|---|---|---|---|---|---|---|---|---|---|---|---|---|---|---|---|---|---|---|---|---|---|---|---|---|---|---|---|---|---|---|---|
| Bit number | 31         | 30       | 29    | 28                | 27 | 26 | 25 | 24 | 23 | 22 | 21 | 20 | 19 | 18 | 17 | 16 | 15 | 14 | 13 | 12 | 11 | 10 | 9 | 8 | 7 | 6 | 5 | 4 | 3 | 2 | 1 | 0 |   |   |   |   |   |   |   |   |   |   |   |   |   |   |   |   |   |   |   |   |   |   |   |   |   |
| ID         |            |          |       |                   |    |    |    |    |    |    |    |    |    |    |    |    |    |    |    |    |    |    |   |   |   |   | A | A | A | A | A | A | A | A | A | A | A | A | A | A | A | A | A | A | A | A | A | A | A | A | A | A | A | A | A | A |   |
| Reset      | 0x00000000 |          |       |                   |    |    |    |    |    |    |    |    |    |    |    |    |    |    |    |    |    |    |   |   |   |   | 0 | 0 | 0 | 0 | 0 | 0 | 0 | 0 | 0 | 0 | 0 | 0 | 0 | 0 | 0 | 0 | 0 | 0 | 0 | 0 | 0 | 0 | 0 | 0 | 0 | 0 | 0 | 0 | 0 | 0 | 0 |
| ID         | Acce Field | Value ID | Value | Description       |    |    |    |    |    |    |    |    |    |    |    |    |    |    |    |    |    |    |   |   |   |   |   |   |   |   |   |   |   |   |   |   |   |   |   |   |   |   |   |   |   |   |   |   |   |   |   |   |   |   |   |   |   |
| A          | RW         | ADDRESS  |       | TWI slave address |    |    |    |    |    |    |    |    |    |    |    |    |    |    |    |    |    |    |   |   |   |   |   |   |   |   |   |   |   |   |   |   |   |   |   |   |   |   |   |   |   |   |   |   |   |   |   |   |   |   |   |   |   |

### 6.32.8.30 CONFIG

Address offset: 0x594

Configuration register for the address match mechanism

|            |            |                     |       |  |    |    |    |    |    |    |    |    |    |    |    |    |    |    |    |    |    |    |   |   |   |   |   |   |   |   |   |   |   |   |   |   |   |   |   |   |   |   |   |   |   |   |   |   |   |   |   |   |   |   |   |   |
|------------|------------|---------------------|-------|--|----|----|----|----|----|----|----|----|----|----|----|----|----|----|----|----|----|----|---|---|---|---|---|---|---|---|---|---|---|---|---|---|---|---|---|---|---|---|---|---|---|---|---|---|---|---|---|---|---|---|---|---|
| Bit number | 31         | 30                  | 29    | 28   | 27 | 26 | 25 | 24 | 23 | 22 | 21 | 20 | 19 | 18 | 17 | 16 | 15 | 14 | 13 | 12 | 11 | 10 | 9 | 8 | 7 | 6 | 5 | 4 | 3 | 2 | 1 | 0 |   |   |   |   |   |   |   |   |   |   |   |   |   |   |   |   |   |   |   |   |   |   |   |   |
| ID         |            |                     |       |  |    |    |    |    |    |    |    |    |    |    |    |    |    |    |    |    |    |    |   |   |   |   | B | A |   |   |   |   |   |   |   |   |   |   |   |   |   |   |   |   |   |   |   |   |   |   |   |   |   |   |   |   |
| Reset      | 0x00000001 |                     |       |  |    |    |    |    |    |    |    |    |    |    |    |    |    |    |    |    |    |    |   |   |   |   | 0 | 0 | 0 | 0 | 0 | 0 | 0 | 0 | 0 | 0 | 0 | 0 | 0 | 0 | 0 | 0 | 0 | 0 | 0 | 0 | 0 | 0 | 0 | 0 | 0 | 0 | 0 | 0 | 0 | 1 |
| ID         | Acce Field | Value ID            | Value | Description                                      |    |    |    |    |    |    |    |    |    |    |    |    |    |    |    |    |    |    |   |   |   |   |   |   |   |   |   |   |   |   |   |   |   |   |   |   |   |   |   |   |   |   |   |   |   |   |   |   |   |   |   |   |
| A-B        | RW         | ADDRESS[i] (i=0..1) |       | Enable or disable address matching on ADDRESS[i] |    |    |    |    |    |    |    |    |    |    |    |    |    |    |    |    |    |    |   |   |   |   |   |   |   |   |   |   |   |   |   |   |   |   |   |   |   |   |   |   |   |   |   |   |   |   |   |   |   |   |   |   |
|            |            | Disabled            | 0     | Disabled   |    |    |    |    |    |    |    |    |    |    |    |    |    |    |    |    |    |    |   |   |   |   |   |   |   |   |   |   |   |   |   |   |   |   |   |   |   |   |   |   |   |   |   |   |   |   |   |   |   |   |   |   |
|            |            | Enabled             | 1     | Enabled  |    |    |    |    |    |    |    |    |    |    |    |    |    |    |    |    |    |    |   |   |   |   |   |   |   |   |   |   |   |   |   |   |   |   |   |   |   |   |   |   |   |   |   |   |   |   |   |   |   |   |   |   |

### 6.32.8.31 ORC

Address offset: 0x5C0

Over-read character. Character sent out in case of an over-read of the transmit buffer.

|            |            |          |       |   |    |    |    |    |    |    |    |    |    |    |    |    |    |    |    |    |    |    |   |   |   |   |   |   |   |   |   |   |   |   |   |   |   |   |   |   |   |   |   |   |   |   |   |   |   |   |   |   |   |   |   |   |   |
|------------|------------|----------|-------|---|----|----|----|----|----|----|----|----|----|----|----|----|----|----|----|----|----|----|---|---|---|---|---|---|---|---|---|---|---|---|---|---|---|---|---|---|---|---|---|---|---|---|---|---|---|---|---|---|---|---|---|---|---|
| Bit number | 31         | 30       | 29    | 28  | 27 | 26 | 25 | 24 | 23 | 22 | 21 | 20 | 19 | 18 | 17 | 16 | 15 | 14 | 13 | 12 | 11 | 10 | 9 | 8 | 7 | 6 | 5 | 4 | 3 | 2 | 1 | 0 |   |   |   |   |   |   |   |   |   |   |   |   |   |   |   |   |   |   |   |   |   |   |   |   |   |
| ID         |            |          |       |   |    |    |    |    |    |    |    |    |    |    |    |    |    |    |    |    |    |    |   |   |   |   | A | A | A | A | A | A | A | A | A | A | A | A | A | A | A | A | A | A | A | A | A | A | A | A | A | A | A | A | A | A |   |
| Reset      | 0x00000000 |          |       |   |    |    |    |    |    |    |    |    |    |    |    |    |    |    |    |    |    |    |   |   |   |   | 0 | 0 | 0 | 0 | 0 | 0 | 0 | 0 | 0 | 0 | 0 | 0 | 0 | 0 | 0 | 0 | 0 | 0 | 0 | 0 | 0 | 0 | 0 | 0 | 0 | 0 | 0 | 0 | 0 | 0 | 0 |
| ID         | Acce Field | Value ID | Value | Description   |    |    |    |    |    |    |    |    |    |    |    |    |    |    |    |    |    |    |   |   |   |   |   |   |   |   |   |   |   |   |   |   |   |   |   |   |   |   |   |   |   |   |   |   |   |   |   |   |   |   |   |   |   |
| A          | RW         | ORC      |       | Over-read character. Character sent out in case of an over-read of the transmit buffer. |    |    |    |    |    |    |    |    |    |    |    |    |    |    |    |    |    |    |   |   |   |   |   |   |   |   |   |   |   |   |   |   |   |   |   |   |   |   |   |   |   |   |   |   |   |   |   |   |   |   |   |   |   |

## 6.32.9 Electrical specification

### 6.32.9.1 TWIS slave timing specifications

| Symbol                     | Description   | Min. | Typ. | Max. | Units   |
|----------------------------|---|------|------|------|---------|
| $f_{TWIS,SCL}$             | Bit rates for TWIS <sup>40</sup>  | 100  |      | 400  | kbps    |
| $t_{TWIS,START}$           | Time from PREPARERX/PREPARETX task to ready to receive/transmit             |      | 1.5  |      | $\mu$ s |
| $t_{TWIS,SU\_DAT}$         | Data setup time before positive edge on SCL – all modes                     | 300  |      |      | ns      |
| $t_{TWIS,HD\_DAT}$         | Data hold time after negative edge on SCL – all modes                       | 500  |      |      | ns      |
| $t_{TWIS,HD\_STA,100kbps}$ | TWI slave hold time from for START condition (SDA low to SCL low), 100 kbps | 5200 |      |      | ns      |
| $t_{TWIS,HD\_STA,400kbps}$ | TWI slave hold time from for START condition (SDA low to SCL low), 400 kbps | 1300 |      |      | ns      |
| $t_{TWIS,SU\_STO,100kbps}$ | TWI slave setup time from SCL high to STOP condition, 100 kbps              | 5200 |      |      | ns      |

<sup>40</sup> High bit rates or stronger pull-ups may require GPIOs to be set as High Drive, see [GPIO](#) chapter for more details.

| Symbol                            | Description   | Min. | Typ. | Max. | Units |
|-----------------------------------|---|------|------|------|-------|
| $t_{TWIS,SU\_STO,400\text{kbps}}$ | TWI slave setup time from SCL high to STOP condition, 400 kbps      | 1300 |      |      | ns    |
| $t_{TWIS,BUF,100\text{kbps}}$     | TWI slave bus free time between STOP and START conditions, 100 kbps |      | 4700 |      | ns    |
| $t_{TWIS,BUF,400\text{kbps}}$     | TWI slave bus free time between STOP and START conditions, 400 kbps |      | 1300 |      | ns    |

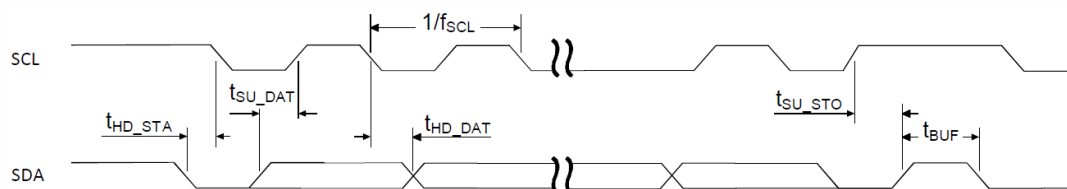


Figure 187: TWIS timing diagram, 1 byte transaction

## 6.33 UART — Universal asynchronous receiver/transmitter

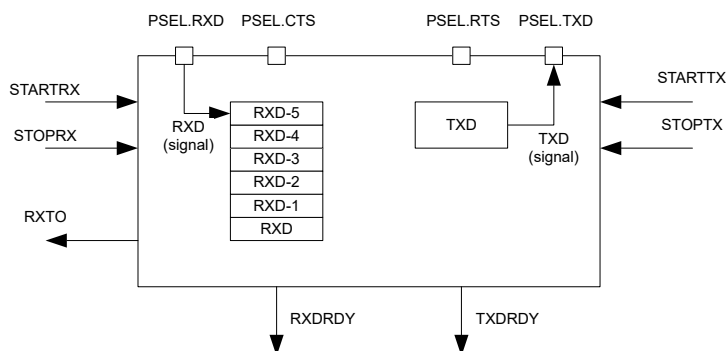


Figure 188: UART configuration

### 6.33.1 Functional description

Listed here are the main features of UART.

The UART implements support for the following features:

- Full-duplex operation
- Automatic flow control
- Parity checking and generation for the 9<sup>th</sup> data bit

As illustrated in [UART configuration](#) on page 502, the UART uses the TXD and RXD registers directly to transmit and receive data. The UART uses one stop bit.

**Note:** The external crystal oscillator must be enabled to obtain sufficient clock accuracy for stable communication. See [CLOCK — Clock control](#) on page 85 for more information.

### 6.33.2 Pin configuration

The different signals RXD, CTS (Clear To Send, active low), RTS (Request To Send, active low), and TXD associated with the UART are mapped to physical pins according to the configuration specified in the PSEL.RXD, PSEL.CTS, PSEL.RTS, and PSEL.TXD registers respectively.

If the CONNECT field of a PSEL.xxx register is set to Disconnected, the associated UART signal will not be connected to any physical pin. The PSEL.RXD, PSEL.CTS, PSEL.RTS, and PSEL.TXD registers and their configurations are only used as long as the UART is enabled, and retained only for the duration the device is in ON mode. PSEL.RXD, PSEL.CTS, PSEL.RTS, and PSEL.TXD must only be configured when the UART is disabled.

To secure correct signal levels on the pins by the UART when the system is in OFF mode, the pins must be configured in the GPIO peripheral as described in [Pin configuration](#) on page 503.

Only one peripheral can be assigned to drive a particular GPIO pin at a time. Failing to do so may result in unpredictable behavior.

| UART pin | Direction | Output value   |
|----------|-----------|----------------|
| RXD      | Input     | Not applicable |
| CTS      | Input     | Not applicable |
| RTS      | Output    | 1              |
| TXD      | Output    | 1              |

Table 132: GPIO configuration

### 6.33.3 Shared resources

The UART shares registers and resources with other peripherals that have the same ID as the UART.

All peripherals with the same ID as the UART must be disabled before configuring and using the UART. Disabling a peripheral that has the same ID as the UART will not reset any of the registers that are shared with the UART. It is therefore important to configure all relevant UART registers explicitly to ensure that it operates correctly.

See [Instantiation](#) on page 23 for details on peripherals and their IDs.

### 6.33.4 Transmission

A UART transmission sequence is started by triggering the STARTTX task.

Bytes are transmitted by writing to the TXD register. When a byte has been successfully transmitted, the UART will generate a TXDRDY event after which a new byte can be written to the TXD register. A UART transmission sequence is stopped immediately by triggering the STOPTH task.

If flow control is enabled, a transmission will be automatically suspended when CTS is deactivated, and resumed when CTS is activated again, as shown in the following figure. A byte that is in transmission when CTS is deactivated will be fully transmitted before the transmission is suspended. For more information, see [Suspending the UART](#) on page 505.

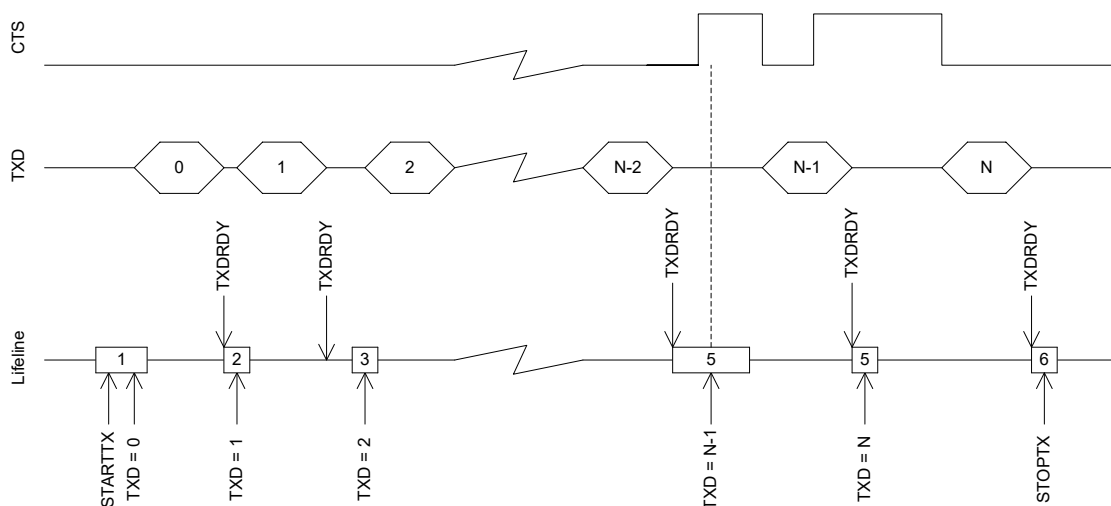


Figure 189: UART transmission

### 6.33.5 Reception

A UART reception sequence is started by triggering the STARTRX task.

The UART receiver chain implements a FIFO capable of storing six incoming RXD bytes before data is overwritten. Bytes are extracted from this FIFO by reading the RXD register. When a byte is extracted from the FIFO, a new byte pending in the FIFO will be moved to the RXD register. The UART will generate an RXDRDY event every time a new byte is moved to the RXD register.

When flow control is enabled, the UART will deactivate the RTS signal when there is only space for four more bytes in the receiver FIFO. The counterpart transmitter is therefore able to send up to four bytes after the RTS signal is deactivated before data is being overwritten. To prevent overwriting data in the FIFO, the counterpart UART transmitter must therefore make sure to stop transmitting data within four bytes after the RTS line is deactivated.

The RTS signal will first be activated again when the FIFO has been emptied, that is, when all bytes in the FIFO have been read by the CPU, see [UART reception](#) on page 505.

The RTS signal will also be deactivated when the receiver is stopped through the STOPRX task as illustrated in [UART reception](#) on page 505. The UART is able to receive four to five additional bytes if they are sent in succession immediately after the RTS signal has been deactivated. This is possible because the UART is, even after the STOPRX task is triggered, able to receive bytes for an extended period of time dependent on the configured baud rate. The UART will generate a receiver timeout event (RXTO) when this period has elapsed.

To prevent loss of incoming data, the RXD register must only be read one time following every RXDRDY event.

To secure that the CPU can detect all incoming RXDRDY events through the RXDRDY event register, the RXDRDY event register must be cleared before the RXD register is read. The reason for this is that the UART is allowed to write a new byte to the RXD register, and can generate a new event immediately after the RXD register is read (emptied) by the CPU.

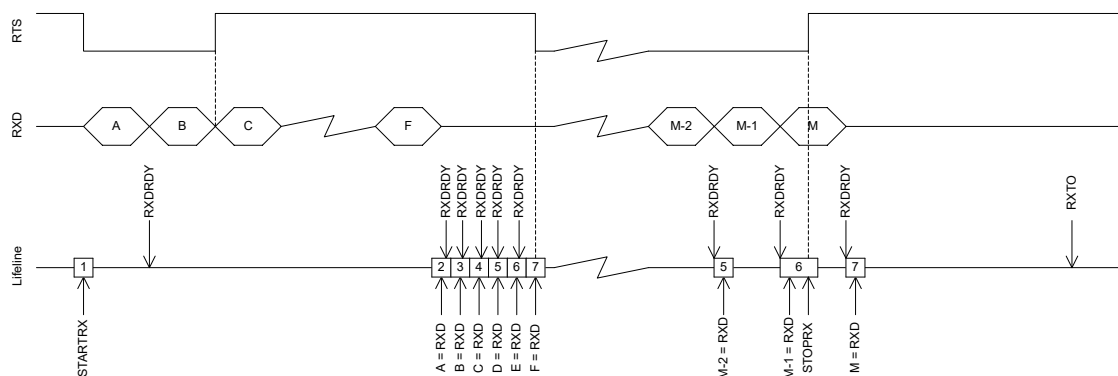


Figure 190: UART reception

As indicated in occurrence 2 in the figure, the RXDRDY event associated with byte B is generated first after byte A has been extracted from RXD.

### 6.33.6 Suspending the UART

The UART can be suspended by triggering the SUSPEND task.

SUSPEND will affect both the UART receiver and the UART transmitter, i.e. the transmitter will stop transmitting and the receiver will stop receiving. UART transmission and reception can be resumed, after being suspended, by triggering STARTTX and STARTRX respectively.

Following a SUSPEND task, an ongoing TXD byte transmission will be completed before the UART is suspended.

When the SUSPEND task is triggered, the UART receiver will behave in the same way as it does when the STOPRX task is triggered.

### 6.33.7 Error conditions

An ERROR event, in the form of a framing error, will be generated if a valid stop bit is not detected in a frame. Another ERROR event, in the form of a break condition, will be generated if the RXD line is held active low for longer than the length of a data frame. Effectively, a framing error is always generated before a break condition occurs.

### 6.33.8 Using the UART without flow control

If flow control is not enabled, the interface will behave as if the CTS and RTS lines are kept active all the time.

### 6.33.9 Parity and stop bit configuration

Automatic even parity generation for both transmission and reception can be configured using the register `CONFIG` on page 514. See the register description for details.

The amount of stop bits can also be configured through the register `CONFIG` on page 514.

### 6.33.10 Registers

| Base address | Peripheral | Instance | Description                                 | Configuration |
|--------------|------------|----------|---|---------------|
| 0x40002000   | UART       | UART0    | Universal asynchronous receiver/transmitter | Deprecated    |

Table 133: Instances

| Register      | Offset | Description   |
|---------------|--------|---|
| TASKS_STARTRX | 0x000  | Start UART receiver                                       |
| TASKS_STOPRX  | 0x004  | Stop UART receiver  |
| TASKS_STARTTX | 0x008  | Start UART transmitter                                    |
| TASKS_STOPTX  | 0x00C  | Stop UART transmitter                                     |
| TASKS_SUSPEND | 0x01C  | Suspend UART  |
| EVENTS_CTS    | 0x100  | CTS is activated (set low). Clear To Send.                |
| EVENTS_NCTS   | 0x104  | CTS is deactivated (set high). Not Clear To Send.         |
| EVENTS_RXDRDY | 0x108  | Data received in RXD                                      |
| EVENTS_TXDRDY | 0x11C  | Data sent from TXD  |
| EVENTS_ERROR  | 0x124  | Error detected  |
| EVENTS_RXTO   | 0x144  | Receiver timeout  |
| SHORTS        | 0x200  | Shortcuts between local events and tasks                  |
| INTENSET      | 0x304  | Enable interrupt  |
| INTENCLR      | 0x308  | Disable interrupt   |
| ERRORSRC      | 0x480  | Error source  |
| ENABLE        | 0x500  | Enable UART   |
| PSEL.RTS      | 0x508  | Pin select for RTS  |
| PSEL.TXD      | 0x50C  | Pin select for TXD  |
| PSEL.CTS      | 0x510  | Pin select for CTS  |
| PSEL.RXD      | 0x514  | Pin select for RXD  |
| RXD           | 0x518  | RXD register  |
| TXD           | 0x51C  | TXD register  |
| BAUDRATE      | 0x524  | Baud rate. Accuracy depends on the HFCLK source selected. |
| CONFIG        | 0x56C  | Configuration of parity and hardware flow control         |

Table 134: Register overview

### 6.33.10.1 TASKS\_STARTRX

Address offset: 0x000

Start UART receiver

| Bit number       | 31 30 29 28 27 26 25 24 23 22 21 20 19 18 17 16 15 14 13 12 11 10 9 8 7 6 5 4 3 2 1 0 |               |         |    |       |                     |  |  |  |  |  |  |  |  |  |  |  |  |  |  |  |  |  |  |  |  |  |  |  |  |  |
|------------------|---|---------------|---------|----|-------|---------------------|--|--|--|--|--|--|--|--|--|--|--|--|--|--|--|--|--|--|--|--|--|--|--|--|--|
| ID               | A   |               |         |    |       |                     |  |  |  |  |  |  |  |  |  |  |  |  |  |  |  |  |  |  |  |  |  |  |  |  |  |
| Reset 0x00000000 | 0                     |               |         |    |       |                     |  |  |  |  |  |  |  |  |  |  |  |  |  |  |  |  |  |  |  |  |  |  |  |  |  |
| ID               | Acce  | Field         | Value   | ID | Value | Description         |  |  |  |  |  |  |  |  |  |  |  |  |  |  |  |  |  |  |  |  |  |  |  |  |  |
| A                | W   | TASKS_STARTRX |         |    |       | Start UART receiver |  |  |  |  |  |  |  |  |  |  |  |  |  |  |  |  |  |  |  |  |  |  |  |  |  |
|                  |   |               | Trigger |    | 1     | Trigger task        |  |  |  |  |  |  |  |  |  |  |  |  |  |  |  |  |  |  |  |  |  |  |  |  |  |

### 6.33.10.2 TASKS\_STOPRX

Address offset: 0x004

Stop UART receiver

| Bit number       | 31 30 29 28 27 26 25 24 23 22 21 20 19 18 17 16 15 14 13 12 11 10 9 8 7 6 5 4 3 2 1 0 |              |         |    |       |                    |  |  |  |  |  |  |  |  |  |  |  |  |  |  |  |  |  |  |  |  |  |  |  |  |  |
|------------------|---|--------------|---------|----|-------|--------------------|--|--|--|--|--|--|--|--|--|--|--|--|--|--|--|--|--|--|--|--|--|--|--|--|--|
| ID               | A   |              |         |    |       |                    |  |  |  |  |  |  |  |  |  |  |  |  |  |  |  |  |  |  |  |  |  |  |  |  |  |
| Reset 0x00000000 | 0                     |              |         |    |       |                    |  |  |  |  |  |  |  |  |  |  |  |  |  |  |  |  |  |  |  |  |  |  |  |  |  |
| ID               | Acce  | Field        | Value   | ID | Value | Description        |  |  |  |  |  |  |  |  |  |  |  |  |  |  |  |  |  |  |  |  |  |  |  |  |  |
| A                | W   | TASKS_STOPRX |         |    |       | Stop UART receiver |  |  |  |  |  |  |  |  |  |  |  |  |  |  |  |  |  |  |  |  |  |  |  |  |  |
|                  |   |              | Trigger |    | 1     | Trigger task       |  |  |  |  |  |  |  |  |  |  |  |  |  |  |  |  |  |  |  |  |  |  |  |  |  |

### 6.33.10.3 TASKS\_STARTTX

Address offset: 0x008

Start UART transmitter

| Bit number       | 31 30 29 28 27 26 25 24 23 22 21 20 19 18 17 16 15 14 13 12 11 10 9 8 7 6 5 4 3 2 1 0 |          |       |                        |  |  |  |  |  |  |  |  |  |  |  |  |  |  |  |  |  |  |  |  |  |  |  |  |  |  |  |
|------------------|---|----------|-------|------------------------|--|--|--|--|--|--|--|--|--|--|--|--|--|--|--|--|--|--|--|--|--|--|--|--|--|--|--|
| ID               | A   |          |       |                        |  |  |  |  |  |  |  |  |  |  |  |  |  |  |  |  |  |  |  |  |  |  |  |  |  |  |  |
| Reset 0x00000000 | 0           |          |       |                        |  |  |  |  |  |  |  |  |  |  |  |  |  |  |  |  |  |  |  |  |  |  |  |  |  |  |  |
| ID               | Acce Field  | Value ID | Value | Description            |  |  |  |  |  |  |  |  |  |  |  |  |  |  |  |  |  |  |  |  |  |  |  |  |  |  |  |
| A                | W TASKS_STARTTX   |          |       | Start UART transmitter |  |  |  |  |  |  |  |  |  |  |  |  |  |  |  |  |  |  |  |  |  |  |  |  |  |  |  |
|                  |   | Trigger  | 1     | Trigger task           |  |  |  |  |  |  |  |  |  |  |  |  |  |  |  |  |  |  |  |  |  |  |  |  |  |  |  |

### 6.33.10.4 TASKS\_STOPTX

Address offset: 0x00C

Stop UART transmitter

| Bit number       | 31 30 29 28 27 26 25 24 23 22 21 20 19 18 17 16 15 14 13 12 11 10 9 8 7 6 5 4 3 2 1 0 |          |       |                       |  |  |  |  |  |  |  |  |  |  |  |  |  |  |  |  |  |  |  |  |  |  |  |  |  |  |  |
|------------------|---|----------|-------|-----------------------|--|--|--|--|--|--|--|--|--|--|--|--|--|--|--|--|--|--|--|--|--|--|--|--|--|--|--|
| ID               | A   |          |       |                       |  |  |  |  |  |  |  |  |  |  |  |  |  |  |  |  |  |  |  |  |  |  |  |  |  |  |  |
| Reset 0x00000000 | 0           |          |       |                       |  |  |  |  |  |  |  |  |  |  |  |  |  |  |  |  |  |  |  |  |  |  |  |  |  |  |  |
| ID               | Acce Field  | Value ID | Value | Description           |  |  |  |  |  |  |  |  |  |  |  |  |  |  |  |  |  |  |  |  |  |  |  |  |  |  |  |
| A                | W TASKS_STOPTX  |          |       | Stop UART transmitter |  |  |  |  |  |  |  |  |  |  |  |  |  |  |  |  |  |  |  |  |  |  |  |  |  |  |  |
|                  |   | Trigger  | 1     | Trigger task          |  |  |  |  |  |  |  |  |  |  |  |  |  |  |  |  |  |  |  |  |  |  |  |  |  |  |  |

### 6.33.10.5 TASKS\_SUSPEND

Address offset: 0x01C

Suspend UART

| Bit number       | 31 30 29 28 27 26 25 24 23 22 21 20 19 18 17 16 15 14 13 12 11 10 9 8 7 6 5 4 3 2 1 0 |          |       |              |  |  |  |  |  |  |  |  |  |  |  |  |  |  |  |  |  |  |  |  |  |  |  |  |  |  |  |
|------------------|---|----------|-------|--------------|--|--|--|--|--|--|--|--|--|--|--|--|--|--|--|--|--|--|--|--|--|--|--|--|--|--|--|
| ID               | A   |          |       |              |  |  |  |  |  |  |  |  |  |  |  |  |  |  |  |  |  |  |  |  |  |  |  |  |  |  |  |
| Reset 0x00000000 | 0           |          |       |              |  |  |  |  |  |  |  |  |  |  |  |  |  |  |  |  |  |  |  |  |  |  |  |  |  |  |  |
| ID               | Acce Field  | Value ID | Value | Description  |  |  |  |  |  |  |  |  |  |  |  |  |  |  |  |  |  |  |  |  |  |  |  |  |  |  |  |
| A                | W TASKS_SUSPEND   |          |       | Suspend UART |  |  |  |  |  |  |  |  |  |  |  |  |  |  |  |  |  |  |  |  |  |  |  |  |  |  |  |
|                  |   | Trigger  | 1     | Trigger task |  |  |  |  |  |  |  |  |  |  |  |  |  |  |  |  |  |  |  |  |  |  |  |  |  |  |  |

### 6.33.10.6 EVENTS\_CTS

Address offset: 0x100

CTS is activated (set low). Clear To Send.

| Bit number       | 31 30 29 28 27 26 25 24 23 22 21 20 19 18 17 16 15 14 13 12 11 10 9 8 7 6 5 4 3 2 1 0 |              |       |  |  |  |  |  |  |  |  |  |  |  |  |  |  |  |  |  |  |  |  |  |  |  |  |  |  |  |  |
|------------------|---|--------------|-------|--|--|--|--|--|--|--|--|--|--|--|--|--|--|--|--|--|--|--|--|--|--|--|--|--|--|--|--|
| ID               | A   |              |       |  |  |  |  |  |  |  |  |  |  |  |  |  |  |  |  |  |  |  |  |  |  |  |  |  |  |  |  |
| Reset 0x00000000 | 0           |              |       |  |  |  |  |  |  |  |  |  |  |  |  |  |  |  |  |  |  |  |  |  |  |  |  |  |  |  |  |
| ID               | Acce Field  | Value ID     | Value | Description                                |  |  |  |  |  |  |  |  |  |  |  |  |  |  |  |  |  |  |  |  |  |  |  |  |  |  |  |
| A                | RW EVENTS_CTS   |              |       | CTS is activated (set low). Clear To Send. |  |  |  |  |  |  |  |  |  |  |  |  |  |  |  |  |  |  |  |  |  |  |  |  |  |  |  |
|                  |   | NotGenerated | 0     | Event not generated                        |  |  |  |  |  |  |  |  |  |  |  |  |  |  |  |  |  |  |  |  |  |  |  |  |  |  |  |
|                  |   | Generated    | 1     | Event generated                            |  |  |  |  |  |  |  |  |  |  |  |  |  |  |  |  |  |  |  |  |  |  |  |  |  |  |  |

### 6.33.10.7 EVENTS\_NCTS

Address offset: 0x104

CTS is deactivated (set high). Not Clear To Send.

| Bit number       | 31 30 29 28 27 26 25 24 23 22 21 20 19 18 17 16 15 14 13 12 11 10 9 8 7 6 5 4 3 2 1 0 |              |       |   |  |  |  |  |  |  |  |  |  |  |  |  |  |  |  |  |  |  |  |  |  |  |  |  |  |  |  |
|------------------|---|--------------|-------|---|--|--|--|--|--|--|--|--|--|--|--|--|--|--|--|--|--|--|--|--|--|--|--|--|--|--|--|
| ID               | A   |              |       |   |  |  |  |  |  |  |  |  |  |  |  |  |  |  |  |  |  |  |  |  |  |  |  |  |  |  |  |
| Reset 0x00000000 | 0           |              |       |   |  |  |  |  |  |  |  |  |  |  |  |  |  |  |  |  |  |  |  |  |  |  |  |  |  |  |  |
| ID               | Acce Field  | Value ID     | Value | Description                                       |  |  |  |  |  |  |  |  |  |  |  |  |  |  |  |  |  |  |  |  |  |  |  |  |  |  |  |
| A                | RW  | EVENTS_NCTS  |       | CTS is deactivated (set high). Not Clear To Send. |  |  |  |  |  |  |  |  |  |  |  |  |  |  |  |  |  |  |  |  |  |  |  |  |  |  |  |
|                  |   | NotGenerated | 0     | Event not generated                               |  |  |  |  |  |  |  |  |  |  |  |  |  |  |  |  |  |  |  |  |  |  |  |  |  |  |  |
|                  |   | Generated    | 1     | Event generated                                   |  |  |  |  |  |  |  |  |  |  |  |  |  |  |  |  |  |  |  |  |  |  |  |  |  |  |  |

### 6.33.10.8 EVENTS\_RXDRDY

Address offset: 0x108

Data received in RXD

| Bit number       | 31 30 29 28 27 26 25 24 23 22 21 20 19 18 17 16 15 14 13 12 11 10 9 8 7 6 5 4 3 2 1 0 |               |       |                      |  |  |  |  |  |  |  |  |  |  |  |  |  |  |  |  |  |  |  |  |  |  |  |  |  |  |  |
|------------------|---|---------------|-------|----------------------|--|--|--|--|--|--|--|--|--|--|--|--|--|--|--|--|--|--|--|--|--|--|--|--|--|--|--|
| ID               | A   |               |       |                      |  |  |  |  |  |  |  |  |  |  |  |  |  |  |  |  |  |  |  |  |  |  |  |  |  |  |  |
| Reset 0x00000000 | 0           |               |       |                      |  |  |  |  |  |  |  |  |  |  |  |  |  |  |  |  |  |  |  |  |  |  |  |  |  |  |  |
| ID               | Acce Field  | Value ID      | Value | Description          |  |  |  |  |  |  |  |  |  |  |  |  |  |  |  |  |  |  |  |  |  |  |  |  |  |  |  |
| A                | RW  | EVENTS_RXDRDY |       | Data received in RXD |  |  |  |  |  |  |  |  |  |  |  |  |  |  |  |  |  |  |  |  |  |  |  |  |  |  |  |
|                  |   | NotGenerated  | 0     | Event not generated  |  |  |  |  |  |  |  |  |  |  |  |  |  |  |  |  |  |  |  |  |  |  |  |  |  |  |  |
|                  |   | Generated     | 1     | Event generated      |  |  |  |  |  |  |  |  |  |  |  |  |  |  |  |  |  |  |  |  |  |  |  |  |  |  |  |

### 6.33.10.9 EVENTS\_TXDRDY

Address offset: 0x11C

Data sent from TXD

| Bit number       | 31 30 29 28 27 26 25 24 23 22 21 20 19 18 17 16 15 14 13 12 11 10 9 8 7 6 5 4 3 2 1 0 |               |       |                     |  |  |  |  |  |  |  |  |  |  |  |  |  |  |  |  |  |  |  |  |  |  |  |  |  |  |  |
|------------------|---|---------------|-------|---------------------|--|--|--|--|--|--|--|--|--|--|--|--|--|--|--|--|--|--|--|--|--|--|--|--|--|--|--|
| ID               | A   |               |       |                     |  |  |  |  |  |  |  |  |  |  |  |  |  |  |  |  |  |  |  |  |  |  |  |  |  |  |  |
| Reset 0x00000000 | 0           |               |       |                     |  |  |  |  |  |  |  |  |  |  |  |  |  |  |  |  |  |  |  |  |  |  |  |  |  |  |  |
| ID               | Acce Field  | Value ID      | Value | Description         |  |  |  |  |  |  |  |  |  |  |  |  |  |  |  |  |  |  |  |  |  |  |  |  |  |  |  |
| A                | RW  | EVENTS_TXDRDY |       | Data sent from TXD  |  |  |  |  |  |  |  |  |  |  |  |  |  |  |  |  |  |  |  |  |  |  |  |  |  |  |  |
|                  |   | NotGenerated  | 0     | Event not generated |  |  |  |  |  |  |  |  |  |  |  |  |  |  |  |  |  |  |  |  |  |  |  |  |  |  |  |
|                  |   | Generated     | 1     | Event generated     |  |  |  |  |  |  |  |  |  |  |  |  |  |  |  |  |  |  |  |  |  |  |  |  |  |  |  |

### 6.33.10.10 EVENTS\_ERROR

Address offset: 0x124

Error detected

| Bit number       | 31 30 29 28 27 26 25 24 23 22 21 20 19 18 17 16 15 14 13 12 11 10 9 8 7 6 5 4 3 2 1 0 |              |       |                     |  |  |  |  |  |  |  |  |  |  |  |  |  |  |  |  |  |  |  |  |  |  |  |  |  |  |  |
|------------------|---|--------------|-------|---------------------|--|--|--|--|--|--|--|--|--|--|--|--|--|--|--|--|--|--|--|--|--|--|--|--|--|--|--|
| ID               | A   |              |       |                     |  |  |  |  |  |  |  |  |  |  |  |  |  |  |  |  |  |  |  |  |  |  |  |  |  |  |  |
| Reset 0x00000000 | 0           |              |       |                     |  |  |  |  |  |  |  |  |  |  |  |  |  |  |  |  |  |  |  |  |  |  |  |  |  |  |  |
| ID               | Acce Field  | Value ID     | Value | Description         |  |  |  |  |  |  |  |  |  |  |  |  |  |  |  |  |  |  |  |  |  |  |  |  |  |  |  |
| A                | RW  | EVENTS_ERROR |       | Error detected      |  |  |  |  |  |  |  |  |  |  |  |  |  |  |  |  |  |  |  |  |  |  |  |  |  |  |  |
|                  |   | NotGenerated | 0     | Event not generated |  |  |  |  |  |  |  |  |  |  |  |  |  |  |  |  |  |  |  |  |  |  |  |  |  |  |  |
|                  |   | Generated    | 1     | Event generated     |  |  |  |  |  |  |  |  |  |  |  |  |  |  |  |  |  |  |  |  |  |  |  |  |  |  |  |



### 6.33.10.11 EVENTS\_RXTO

Address offset: 0x144

Receiver timeout

| Bit number       | 31         | 30          | 29           | 28               | 27                  | 26 | 25 | 24 | 23 | 22 | 21 | 20 | 19 | 18 | 17 | 16 | 15 | 14 | 13 | 12 | 11 | 10 | 9 | 8 | 7 | 6 | 5 | 4 | 3 | 2 | 1 | 0 |
|------------------|------------|-------------|--------------|------------------|---------------------|----|----|----|----|----|----|----|----|----|----|----|----|----|----|----|----|----|---|---|---|---|---|---|---|---|---|---|
| ID               |            |             |              |                  |                     |    |    |    |    |    |    |    |    |    |    |    |    |    |    |    |    |    |   |   |   |   |   |   |   |   |   | A |
| Reset 0x00000000 | 0          |             |              |                  |                     |    |    |    |    |    |    |    |    |    |    |    |    |    |    |    |    |    |   |   |   |   |   |   |   |   |   |   |
| ID               | Acce Field | Value ID    | Value        | Description      |                     |    |    |    |    |    |    |    |    |    |    |    |    |    |    |    |    |    |   |   |   |   |   |   |   |   |   |   |
| A                | RW         | EVENTS_RXTO |              | Receiver timeout |                     |    |    |    |    |    |    |    |    |    |    |    |    |    |    |    |    |    |   |   |   |   |   |   |   |   |   |   |
|                  |            |             | NotGenerated | 0                | Event not generated |    |    |    |    |    |    |    |    |    |    |    |    |    |    |    |    |    |   |   |   |   |   |   |   |   |   |   |
|                  |            |             | Generated    | 1                | Event generated     |    |    |    |    |    |    |    |    |    |    |    |    |    |    |    |    |    |   |   |   |   |   |   |   |   |   |   |

### 6.33.10.12 SHORTS

Address offset: 0x200

Shortcuts between local events and tasks

| Bit number       | 31         | 30          | 29       | 28  | 27               | 26 | 25 | 24 | 23 | 22 | 21 | 20 | 19 | 18 | 17 | 16 | 15 | 14 | 13 | 12 | 11 | 10 | 9 | 8 | 7 | 6 | 5 | 4 | 3 | 2 | 1 | 0 |   |
|------------------|------------|-------------|----------|---|------------------|----|----|----|----|----|----|----|----|----|----|----|----|----|----|----|----|----|---|---|---|---|---|---|---|---|---|---|---|
| ID               |            |             |          |   |                  |    |    |    |    |    |    |    |    |    |    |    |    |    |    |    |    |    |   |   |   |   |   |   |   |   |   | B | A |
| Reset 0x00000000 | 0          |             |          |   |                  |    |    |    |    |    |    |    |    |    |    |    |    |    |    |    |    |    |   |   |   |   |   |   |   |   |   |   |   |
| ID               | Acce Field | Value ID    | Value    | Description   |                  |    |    |    |    |    |    |    |    |    |    |    |    |    |    |    |    |    |   |   |   |   |   |   |   |   |   |   |   |
| A                | RW         | CTS_STARTRX |          | Shortcut between event <b>CTS</b> and task <b>STARTRX</b> |                  |    |    |    |    |    |    |    |    |    |    |    |    |    |    |    |    |    |   |   |   |   |   |   |   |   |   |   |   |
|                  |            |             | Disabled | 0   | Disable shortcut |    |    |    |    |    |    |    |    |    |    |    |    |    |    |    |    |    |   |   |   |   |   |   |   |   |   |   |   |
|                  |            |             | Enabled  | 1   | Enable shortcut  |    |    |    |    |    |    |    |    |    |    |    |    |    |    |    |    |    |   |   |   |   |   |   |   |   |   |   |   |
| B                | RW         | NCTS_STOPRX |          | Shortcut between event <b>NCTS</b> and task <b>STOPRX</b> |                  |    |    |    |    |    |    |    |    |    |    |    |    |    |    |    |    |    |   |   |   |   |   |   |   |   |   |   |   |
|                  |            |             | Disabled | 0   | Disable shortcut |    |    |    |    |    |    |    |    |    |    |    |    |    |    |    |    |    |   |   |   |   |   |   |   |   |   |   |   |
|                  |            |             | Enabled  | 1   | Enable shortcut  |    |    |    |    |    |    |    |    |    |    |    |    |    |    |    |    |    |   |   |   |   |   |   |   |   |   |   |   |

### 6.33.10.13 INTENSET

Address offset: 0x304

Enable interrupt

| Bit number       | 31         | 30       | 29       | 28  | 27             | 26 | 25 | 24 | 23 | 22 | 21 | 20 | 19 | 18 | 17 | 16 | 15 | 14 | 13 | 12 | 11 | 10 | 9 | 8 | 7 | 6 | 5 | 4 | 3 | 2 | 1 | 0 |   |   |   |   |   |
|------------------|------------|----------|----------|---|----------------|----|----|----|----|----|----|----|----|----|----|----|----|----|----|----|----|----|---|---|---|---|---|---|---|---|---|---|---|---|---|---|---|
| ID               |            |          |          |   |                |    |    |    |    |    |    |    |    |    |    |    |    |    |    |    |    |    |   |   |   |   |   |   |   |   |   | F | E | D | C | B | A |
| Reset 0x00000000 | 0          |          |          |   |                |    |    |    |    |    |    |    |    |    |    |    |    |    |    |    |    |    |   |   |   |   |   |   |   |   |   |   |   |   |   |   |   |
| ID               | Acce Field | Value ID | Value    | Description   |                |    |    |    |    |    |    |    |    |    |    |    |    |    |    |    |    |    |   |   |   |   |   |   |   |   |   |   |   |   |   |   |   |
| A                | RW         | CTS      |          | Write '1' to enable interrupt for event <b>CTS</b>    |                |    |    |    |    |    |    |    |    |    |    |    |    |    |    |    |    |    |   |   |   |   |   |   |   |   |   |   |   |   |   |   |   |
|                  |            |          | Set      | 1   | Enable         |    |    |    |    |    |    |    |    |    |    |    |    |    |    |    |    |    |   |   |   |   |   |   |   |   |   |   |   |   |   |   |   |
|                  |            |          | Disabled | 0   | Read: Disabled |    |    |    |    |    |    |    |    |    |    |    |    |    |    |    |    |    |   |   |   |   |   |   |   |   |   |   |   |   |   |   |   |
|                  |            |          | Enabled  | 1   | Read: Enabled  |    |    |    |    |    |    |    |    |    |    |    |    |    |    |    |    |    |   |   |   |   |   |   |   |   |   |   |   |   |   |   |   |
| B                | RW         | NCTS     |          | Write '1' to enable interrupt for event <b>NCTS</b>   |                |    |    |    |    |    |    |    |    |    |    |    |    |    |    |    |    |    |   |   |   |   |   |   |   |   |   |   |   |   |   |   |   |
|                  |            |          | Set      | 1   | Enable         |    |    |    |    |    |    |    |    |    |    |    |    |    |    |    |    |    |   |   |   |   |   |   |   |   |   |   |   |   |   |   |   |
|                  |            |          | Disabled | 0   | Read: Disabled |    |    |    |    |    |    |    |    |    |    |    |    |    |    |    |    |    |   |   |   |   |   |   |   |   |   |   |   |   |   |   |   |
|                  |            |          | Enabled  | 1   | Read: Enabled  |    |    |    |    |    |    |    |    |    |    |    |    |    |    |    |    |    |   |   |   |   |   |   |   |   |   |   |   |   |   |   |   |
| C                | RW         | RXDRDY   |          | Write '1' to enable interrupt for event <b>RXDRDY</b> |                |    |    |    |    |    |    |    |    |    |    |    |    |    |    |    |    |    |   |   |   |   |   |   |   |   |   |   |   |   |   |   |   |
|                  |            |          | Set      | 1   | Enable         |    |    |    |    |    |    |    |    |    |    |    |    |    |    |    |    |    |   |   |   |   |   |   |   |   |   |   |   |   |   |   |   |
|                  |            |          | Disabled | 0   | Read: Disabled |    |    |    |    |    |    |    |    |    |    |    |    |    |    |    |    |    |   |   |   |   |   |   |   |   |   |   |   |   |   |   |   |
|                  |            |          | Enabled  | 1   | Read: Enabled  |    |    |    |    |    |    |    |    |    |    |    |    |    |    |    |    |    |   |   |   |   |   |   |   |   |   |   |   |   |   |   |   |
| D                | RW         | TXDRDY   |          | Write '1' to enable interrupt for event <b>TXDRDY</b> |                |    |    |    |    |    |    |    |    |    |    |    |    |    |    |    |    |    |   |   |   |   |   |   |   |   |   |   |   |   |   |   |   |
|                  |            |          | Set      | 1   | Enable         |    |    |    |    |    |    |    |    |    |    |    |    |    |    |    |    |    |   |   |   |   |   |   |   |   |   |   |   |   |   |   |   |

| Bit number       | 31 30 29 28 27 26 25 24 23 22 21 20 19 18 17 16 15 14 13 12 11 10 9 8 7 6 5 4 3 2 1 0 |       |          |    |       |   |  |  |  |  |  |  |  |  |  |   |  |  |  |  |   |   |  |  |  |   |   |  |  |  |  |
|------------------|---|-------|----------|----|-------|---|--|--|--|--|--|--|--|--|--|---|--|--|--|--|---|---|--|--|--|---|---|--|--|--|--|
| ID               | F   |       |          |    |       |   |  |  |  |  |  |  |  |  |  | E |  |  |  |  | D | C |  |  |  | B | A |  |  |  |  |
| Reset 0x00000000 | 0           |       |          |    |       |   |  |  |  |  |  |  |  |  |  |   |  |  |  |  |   |   |  |  |  |   |   |  |  |  |  |
| ID               | Acce  | Field | Value    | ID | Value | Description   |  |  |  |  |  |  |  |  |  |   |  |  |  |  |   |   |  |  |  |   |   |  |  |  |  |
|                  |   |       | Disabled |    | 0     | Read: Disabled  |  |  |  |  |  |  |  |  |  |   |  |  |  |  |   |   |  |  |  |   |   |  |  |  |  |
|                  |   |       | Enabled  |    | 1     | Read: Enabled   |  |  |  |  |  |  |  |  |  |   |  |  |  |  |   |   |  |  |  |   |   |  |  |  |  |
| E                | RW  | ERROR |          |    |       | Write '1' to enable interrupt for event <a href="#">ERROR</a> |  |  |  |  |  |  |  |  |  |   |  |  |  |  |   |   |  |  |  |   |   |  |  |  |  |
|                  |   |       | Set      |    | 1     | Enable  |  |  |  |  |  |  |  |  |  |   |  |  |  |  |   |   |  |  |  |   |   |  |  |  |  |
|                  |   |       | Disabled |    | 0     | Read: Disabled  |  |  |  |  |  |  |  |  |  |   |  |  |  |  |   |   |  |  |  |   |   |  |  |  |  |
|                  |   |       | Enabled  |    | 1     | Read: Enabled   |  |  |  |  |  |  |  |  |  |   |  |  |  |  |   |   |  |  |  |   |   |  |  |  |  |
| F                | RW  | RXTO  |          |    |       | Write '1' to enable interrupt for event <a href="#">RXTO</a>  |  |  |  |  |  |  |  |  |  |   |  |  |  |  |   |   |  |  |  |   |   |  |  |  |  |
|                  |   |       | Set      |    | 1     | Enable  |  |  |  |  |  |  |  |  |  |   |  |  |  |  |   |   |  |  |  |   |   |  |  |  |  |
|                  |   |       | Disabled |    | 0     | Read: Disabled  |  |  |  |  |  |  |  |  |  |   |  |  |  |  |   |   |  |  |  |   |   |  |  |  |  |
|                  |   |       | Enabled  |    | 1     | Read: Enabled   |  |  |  |  |  |  |  |  |  |   |  |  |  |  |   |   |  |  |  |   |   |  |  |  |  |

### 6.33.10.14 INTENCLR

Address offset: 0x308

Disable interrupt

| Bit number       | 31 30 29 28 27 26 25 24 23 22 21 20 19 18 17 16 15 14 13 12 11 10 9 8 7 6 5 4 3 2 1 0 |        |          |    |       |   |  |  |  |  |  |  |  |  |  |   |  |  |  |  |   |   |  |  |  |   |   |  |  |  |  |
|------------------|---|--------|----------|----|-------|---|--|--|--|--|--|--|--|--|--|---|--|--|--|--|---|---|--|--|--|---|---|--|--|--|--|
| ID               | F   |        |          |    |       |   |  |  |  |  |  |  |  |  |  | E |  |  |  |  | D | C |  |  |  | B | A |  |  |  |  |
| Reset 0x00000000 | 0           |        |          |    |       |   |  |  |  |  |  |  |  |  |  |   |  |  |  |  |   |   |  |  |  |   |   |  |  |  |  |
| ID               | Acce  | Field  | Value    | ID | Value | Description   |  |  |  |  |  |  |  |  |  |   |  |  |  |  |   |   |  |  |  |   |   |  |  |  |  |
| A                | RW  | CTS    |          |    |       | Write '1' to disable interrupt for event <a href="#">CTS</a>    |  |  |  |  |  |  |  |  |  |   |  |  |  |  |   |   |  |  |  |   |   |  |  |  |  |
|                  |   |        | Clear    |    | 1     | Disable   |  |  |  |  |  |  |  |  |  |   |  |  |  |  |   |   |  |  |  |   |   |  |  |  |  |
|                  |   |        | Disabled |    | 0     | Read: Disabled  |  |  |  |  |  |  |  |  |  |   |  |  |  |  |   |   |  |  |  |   |   |  |  |  |  |
|                  |   |        | Enabled  |    | 1     | Read: Enabled   |  |  |  |  |  |  |  |  |  |   |  |  |  |  |   |   |  |  |  |   |   |  |  |  |  |
| B                | RW  | NCTS   |          |    |       | Write '1' to disable interrupt for event <a href="#">NCTS</a>   |  |  |  |  |  |  |  |  |  |   |  |  |  |  |   |   |  |  |  |   |   |  |  |  |  |
|                  |   |        | Clear    |    | 1     | Disable   |  |  |  |  |  |  |  |  |  |   |  |  |  |  |   |   |  |  |  |   |   |  |  |  |  |
|                  |   |        | Disabled |    | 0     | Read: Disabled  |  |  |  |  |  |  |  |  |  |   |  |  |  |  |   |   |  |  |  |   |   |  |  |  |  |
|                  |   |        | Enabled  |    | 1     | Read: Enabled   |  |  |  |  |  |  |  |  |  |   |  |  |  |  |   |   |  |  |  |   |   |  |  |  |  |
| C                | RW  | RXDRDY |          |    |       | Write '1' to disable interrupt for event <a href="#">RXDRDY</a> |  |  |  |  |  |  |  |  |  |   |  |  |  |  |   |   |  |  |  |   |   |  |  |  |  |
|                  |   |        | Clear    |    | 1     | Disable   |  |  |  |  |  |  |  |  |  |   |  |  |  |  |   |   |  |  |  |   |   |  |  |  |  |
|                  |   |        | Disabled |    | 0     | Read: Disabled  |  |  |  |  |  |  |  |  |  |   |  |  |  |  |   |   |  |  |  |   |   |  |  |  |  |
|                  |   |        | Enabled  |    | 1     | Read: Enabled   |  |  |  |  |  |  |  |  |  |   |  |  |  |  |   |   |  |  |  |   |   |  |  |  |  |
| D                | RW  | TXDRDY |          |    |       | Write '1' to disable interrupt for event <a href="#">TXDRDY</a> |  |  |  |  |  |  |  |  |  |   |  |  |  |  |   |   |  |  |  |   |   |  |  |  |  |
|                  |   |        | Clear    |    | 1     | Disable   |  |  |  |  |  |  |  |  |  |   |  |  |  |  |   |   |  |  |  |   |   |  |  |  |  |
|                  |   |        | Disabled |    | 0     | Read: Disabled  |  |  |  |  |  |  |  |  |  |   |  |  |  |  |   |   |  |  |  |   |   |  |  |  |  |
|                  |   |        | Enabled  |    | 1     | Read: Enabled   |  |  |  |  |  |  |  |  |  |   |  |  |  |  |   |   |  |  |  |   |   |  |  |  |  |
| E                | RW  | ERROR  |          |    |       | Write '1' to disable interrupt for event <a href="#">ERROR</a>  |  |  |  |  |  |  |  |  |  |   |  |  |  |  |   |   |  |  |  |   |   |  |  |  |  |
|                  |   |        | Clear    |    | 1     | Disable   |  |  |  |  |  |  |  |  |  |   |  |  |  |  |   |   |  |  |  |   |   |  |  |  |  |
|                  |   |        | Disabled |    | 0     | Read: Disabled  |  |  |  |  |  |  |  |  |  |   |  |  |  |  |   |   |  |  |  |   |   |  |  |  |  |
|                  |   |        | Enabled  |    | 1     | Read: Enabled   |  |  |  |  |  |  |  |  |  |   |  |  |  |  |   |   |  |  |  |   |   |  |  |  |  |
| F                | RW  | RXTO   |          |    |       | Write '1' to disable interrupt for event <a href="#">RXTO</a>   |  |  |  |  |  |  |  |  |  |   |  |  |  |  |   |   |  |  |  |   |   |  |  |  |  |
|                  |   |        | Clear    |    | 1     | Disable   |  |  |  |  |  |  |  |  |  |   |  |  |  |  |   |   |  |  |  |   |   |  |  |  |  |
|                  |   |        | Disabled |    | 0     | Read: Disabled  |  |  |  |  |  |  |  |  |  |   |  |  |  |  |   |   |  |  |  |   |   |  |  |  |  |
|                  |   |        | Enabled  |    | 1     | Read: Enabled   |  |  |  |  |  |  |  |  |  |   |  |  |  |  |   |   |  |  |  |   |   |  |  |  |  |

### 6.33.10.15 ERRORSRC

Address offset: 0x480

Error source

| Bit number       | 31 30 29 28 27 26 25 24 23 22 21 20 19 18 17 16 15 14 13 12 11 10 9 8 7 6 5 4 3 2 1 0 |          |            |  |                         |  |  |  |  |  |  |  |  |  |  |  |  |  |  |  |  |  |  |  |  |  |  |  |  |  |  |
|------------------|---|----------|------------|--|-------------------------|--|--|--|--|--|--|--|--|--|--|--|--|--|--|--|--|--|--|--|--|--|--|--|--|--|--|
| ID               | D C B A   |          |            |  |                         |  |  |  |  |  |  |  |  |  |  |  |  |  |  |  |  |  |  |  |  |  |  |  |  |  |  |
| Reset 0x00000000 | 0           |          |            |  |                         |  |  |  |  |  |  |  |  |  |  |  |  |  |  |  |  |  |  |  |  |  |  |  |  |  |  |
| ID               | Acce Field  | Value ID | Value      | Description  |                         |  |  |  |  |  |  |  |  |  |  |  |  |  |  |  |  |  |  |  |  |  |  |  |  |  |  |
| A                | RW  | OVERRUN  |            | Overrun error  |                         |  |  |  |  |  |  |  |  |  |  |  |  |  |  |  |  |  |  |  |  |  |  |  |  |  |  |
|                  |   |          |            | A start bit is received while the previous data still lies in RXD. (Previous data is lost.)  |                         |  |  |  |  |  |  |  |  |  |  |  |  |  |  |  |  |  |  |  |  |  |  |  |  |  |  |
|                  |   |          | NotPresent | 0  | Read: error not present |  |  |  |  |  |  |  |  |  |  |  |  |  |  |  |  |  |  |  |  |  |  |  |  |  |  |
|                  |   | Present  | 1          | Read: error present  |                         |  |  |  |  |  |  |  |  |  |  |  |  |  |  |  |  |  |  |  |  |  |  |  |  |  |  |
| B                | RW  | PARITY   |            | Parity error   |                         |  |  |  |  |  |  |  |  |  |  |  |  |  |  |  |  |  |  |  |  |  |  |  |  |  |  |
|                  |   |          |            | A character with bad parity is received, if HW parity check is enabled.  |                         |  |  |  |  |  |  |  |  |  |  |  |  |  |  |  |  |  |  |  |  |  |  |  |  |  |  |
|                  |   |          | NotPresent | 0  | Read: error not present |  |  |  |  |  |  |  |  |  |  |  |  |  |  |  |  |  |  |  |  |  |  |  |  |  |  |
|                  |   | Present  | 1          | Read: error present  |                         |  |  |  |  |  |  |  |  |  |  |  |  |  |  |  |  |  |  |  |  |  |  |  |  |  |  |
| C                | RW  | FRAMING  |            | Framing error occurred   |                         |  |  |  |  |  |  |  |  |  |  |  |  |  |  |  |  |  |  |  |  |  |  |  |  |  |  |
|                  |   |          |            | A valid stop bit is not detected on the serial data input after all bits in a character have been received.  |                         |  |  |  |  |  |  |  |  |  |  |  |  |  |  |  |  |  |  |  |  |  |  |  |  |  |  |
|                  |   |          | NotPresent | 0  | Read: error not present |  |  |  |  |  |  |  |  |  |  |  |  |  |  |  |  |  |  |  |  |  |  |  |  |  |  |
|                  |   | Present  | 1          | Read: error present  |                         |  |  |  |  |  |  |  |  |  |  |  |  |  |  |  |  |  |  |  |  |  |  |  |  |  |  |
| D                | RW  | BREAK    |            | Break condition  |                         |  |  |  |  |  |  |  |  |  |  |  |  |  |  |  |  |  |  |  |  |  |  |  |  |  |  |
|                  |   |          |            | The serial data input is '0' for longer than the length of a data frame. (The data frame length is 10 bits without parity bit, and 11 bits with parity bit.) |                         |  |  |  |  |  |  |  |  |  |  |  |  |  |  |  |  |  |  |  |  |  |  |  |  |  |  |
|                  |   |          | NotPresent | 0  | Read: error not present |  |  |  |  |  |  |  |  |  |  |  |  |  |  |  |  |  |  |  |  |  |  |  |  |  |  |
|                  |   | Present  | 1          | Read: error present  |                         |  |  |  |  |  |  |  |  |  |  |  |  |  |  |  |  |  |  |  |  |  |  |  |  |  |  |

### 6.33.10.16 ENABLE

Address offset: 0x500

Enable UART

| Bit number       | 31 30 29 28 27 26 25 24 23 22 21 20 19 18 17 16 15 14 13 12 11 10 9 8 7 6 5 4 3 2 1 0 |          |          |                        |              |  |  |  |  |  |  |  |  |  |  |  |  |  |  |  |  |  |  |  |  |  |  |  |  |  |  |
|------------------|---|----------|----------|------------------------|--------------|--|--|--|--|--|--|--|--|--|--|--|--|--|--|--|--|--|--|--|--|--|--|--|--|--|--|
| ID               | A A A A   |          |          |                        |              |  |  |  |  |  |  |  |  |  |  |  |  |  |  |  |  |  |  |  |  |  |  |  |  |  |  |
| Reset 0x00000000 | 0           |          |          |                        |              |  |  |  |  |  |  |  |  |  |  |  |  |  |  |  |  |  |  |  |  |  |  |  |  |  |  |
| ID               | Acce Field  | Value ID | Value    | Description            |              |  |  |  |  |  |  |  |  |  |  |  |  |  |  |  |  |  |  |  |  |  |  |  |  |  |  |
| A                | RW  | ENABLE   |          | Enable or disable UART |              |  |  |  |  |  |  |  |  |  |  |  |  |  |  |  |  |  |  |  |  |  |  |  |  |  |  |
|                  |   |          | Disabled | 0                      | Disable UART |  |  |  |  |  |  |  |  |  |  |  |  |  |  |  |  |  |  |  |  |  |  |  |  |  |  |
|                  |   |          | Enabled  | 4                      | Enable UART  |  |  |  |  |  |  |  |  |  |  |  |  |  |  |  |  |  |  |  |  |  |  |  |  |  |  |

### 6.33.10.17 PSEL.RTS

Address offset: 0x508

Pin select for RTS

| Bit number       | 31 30 29 28 27 26 25 24 23 22 21 20 19 18 17 16 15 14 13 12 11 10 9 8 7 6 5 4 3 2 1 0 |              |         |             |  |  |  |  |  |  |  |  |  |  |  |  |  |  |  |  |  |  |  |  |  |  |  |   |  |  |  |   |   |   |   |
|------------------|---|--------------|---------|-------------|--|--|--|--|--|--|--|--|--|--|--|--|--|--|--|--|--|--|--|--|--|--|--|---|--|--|--|---|---|---|---|
| ID               | C   |              |         |             |  |  |  |  |  |  |  |  |  |  |  |  |  |  |  |  |  |  |  |  |  |  |  | B |  |  |  | A | A | A | A |
| Reset 0xFFFFFFFF | 1                       |              |         |             |  |  |  |  |  |  |  |  |  |  |  |  |  |  |  |  |  |  |  |  |  |  |  |   |  |  |  |   |   |   |   |
| ID               | Acce Field  | Value ID     | Value   | Description |  |  |  |  |  |  |  |  |  |  |  |  |  |  |  |  |  |  |  |  |  |  |  |   |  |  |  |   |   |   |   |
| A                | RW PIN  |              | [0..31] | Pin number  |  |  |  |  |  |  |  |  |  |  |  |  |  |  |  |  |  |  |  |  |  |  |  |   |  |  |  |   |   |   |   |
| B                | RW PORT   |              | [0..1]  | Port number |  |  |  |  |  |  |  |  |  |  |  |  |  |  |  |  |  |  |  |  |  |  |  |   |  |  |  |   |   |   |   |
| C                | RW CONNECT  |              |         | Connection  |  |  |  |  |  |  |  |  |  |  |  |  |  |  |  |  |  |  |  |  |  |  |  |   |  |  |  |   |   |   |   |
|                  |   | Disconnected | 1       | Disconnect  |  |  |  |  |  |  |  |  |  |  |  |  |  |  |  |  |  |  |  |  |  |  |  |   |  |  |  |   |   |   |   |
|                  |   | Connected    | 0       | Connect     |  |  |  |  |  |  |  |  |  |  |  |  |  |  |  |  |  |  |  |  |  |  |  |   |  |  |  |   |   |   |   |

### 6.33.10.18 PSEL.TXD

Address offset: 0x50C

Pin select for TXD

| Bit number       | 31 30 29 28 27 26 25 24 23 22 21 20 19 18 17 16 15 14 13 12 11 10 9 8 7 6 5 4 3 2 1 0 |              |         |             |  |  |  |  |  |  |  |  |  |  |  |  |  |  |  |  |  |  |  |  |  |  |  |   |  |  |  |   |   |   |   |
|------------------|---|--------------|---------|-------------|--|--|--|--|--|--|--|--|--|--|--|--|--|--|--|--|--|--|--|--|--|--|--|---|--|--|--|---|---|---|---|
| ID               | C   |              |         |             |  |  |  |  |  |  |  |  |  |  |  |  |  |  |  |  |  |  |  |  |  |  |  | B |  |  |  | A | A | A | A |
| Reset 0xFFFFFFFF | 1                       |              |         |             |  |  |  |  |  |  |  |  |  |  |  |  |  |  |  |  |  |  |  |  |  |  |  |   |  |  |  |   |   |   |   |
| ID               | Acce Field  | Value ID     | Value   | Description |  |  |  |  |  |  |  |  |  |  |  |  |  |  |  |  |  |  |  |  |  |  |  |   |  |  |  |   |   |   |   |
| A                | RW PIN  |              | [0..31] | Pin number  |  |  |  |  |  |  |  |  |  |  |  |  |  |  |  |  |  |  |  |  |  |  |  |   |  |  |  |   |   |   |   |
| B                | RW PORT   |              | [0..1]  | Port number |  |  |  |  |  |  |  |  |  |  |  |  |  |  |  |  |  |  |  |  |  |  |  |   |  |  |  |   |   |   |   |
| C                | RW CONNECT  |              |         | Connection  |  |  |  |  |  |  |  |  |  |  |  |  |  |  |  |  |  |  |  |  |  |  |  |   |  |  |  |   |   |   |   |
|                  |   | Disconnected | 1       | Disconnect  |  |  |  |  |  |  |  |  |  |  |  |  |  |  |  |  |  |  |  |  |  |  |  |   |  |  |  |   |   |   |   |
|                  |   | Connected    | 0       | Connect     |  |  |  |  |  |  |  |  |  |  |  |  |  |  |  |  |  |  |  |  |  |  |  |   |  |  |  |   |   |   |   |

### 6.33.10.19 PSEL.CTS

Address offset: 0x510

Pin select for CTS

| Bit number       | 31 30 29 28 27 26 25 24 23 22 21 20 19 18 17 16 15 14 13 12 11 10 9 8 7 6 5 4 3 2 1 0 |              |         |             |  |  |  |  |  |  |  |  |  |  |  |  |  |  |  |  |  |  |  |  |  |  |  |   |  |  |  |   |   |   |   |
|------------------|---|--------------|---------|-------------|--|--|--|--|--|--|--|--|--|--|--|--|--|--|--|--|--|--|--|--|--|--|--|---|--|--|--|---|---|---|---|
| ID               | C   |              |         |             |  |  |  |  |  |  |  |  |  |  |  |  |  |  |  |  |  |  |  |  |  |  |  | B |  |  |  | A | A | A | A |
| Reset 0xFFFFFFFF | 1                       |              |         |             |  |  |  |  |  |  |  |  |  |  |  |  |  |  |  |  |  |  |  |  |  |  |  |   |  |  |  |   |   |   |   |
| ID               | Acce Field  | Value ID     | Value   | Description |  |  |  |  |  |  |  |  |  |  |  |  |  |  |  |  |  |  |  |  |  |  |  |   |  |  |  |   |   |   |   |
| A                | RW PIN  |              | [0..31] | Pin number  |  |  |  |  |  |  |  |  |  |  |  |  |  |  |  |  |  |  |  |  |  |  |  |   |  |  |  |   |   |   |   |
| B                | RW PORT   |              | [0..1]  | Port number |  |  |  |  |  |  |  |  |  |  |  |  |  |  |  |  |  |  |  |  |  |  |  |   |  |  |  |   |   |   |   |
| C                | RW CONNECT  |              |         | Connection  |  |  |  |  |  |  |  |  |  |  |  |  |  |  |  |  |  |  |  |  |  |  |  |   |  |  |  |   |   |   |   |
|                  |   | Disconnected | 1       | Disconnect  |  |  |  |  |  |  |  |  |  |  |  |  |  |  |  |  |  |  |  |  |  |  |  |   |  |  |  |   |   |   |   |
|                  |   | Connected    | 0       | Connect     |  |  |  |  |  |  |  |  |  |  |  |  |  |  |  |  |  |  |  |  |  |  |  |   |  |  |  |   |   |   |   |

### 6.33.10.20 PSEL.RXD

Address offset: 0x514

Pin select for RXD

| Bit number              | 31 30 29 28 27 26 25 24 23 22 21 20 19 18 17 16 15 14 13 12 11 10 9 8 7 6 5 4 3 2 1 0 |              |         |             |  |  |  |  |  |  |  |  |  |  |  |  |  |  |  |  |  |  |  |  |  |  |  |   |  |  |  |         |  |  |  |
|-------------------------|---|--------------|---------|-------------|--|--|--|--|--|--|--|--|--|--|--|--|--|--|--|--|--|--|--|--|--|--|--|---|--|--|--|---------|--|--|--|
| ID                      | C   |              |         |             |  |  |  |  |  |  |  |  |  |  |  |  |  |  |  |  |  |  |  |  |  |  |  | B |  |  |  | A A A A |  |  |  |
| <b>Reset 0xFFFFFFFF</b> | <b>1 1</b>                |              |         |             |  |  |  |  |  |  |  |  |  |  |  |  |  |  |  |  |  |  |  |  |  |  |  |   |  |  |  |         |  |  |  |
| ID                      | Acce Field  | Value ID     | Value   | Description |  |  |  |  |  |  |  |  |  |  |  |  |  |  |  |  |  |  |  |  |  |  |  |   |  |  |  |         |  |  |  |
| A                       | RW PIN  |              | [0..31] | Pin number  |  |  |  |  |  |  |  |  |  |  |  |  |  |  |  |  |  |  |  |  |  |  |  |   |  |  |  |         |  |  |  |
| B                       | RW PORT   |              | [0..1]  | Port number |  |  |  |  |  |  |  |  |  |  |  |  |  |  |  |  |  |  |  |  |  |  |  |   |  |  |  |         |  |  |  |
| C                       | RW CONNECT  |              |         | Connection  |  |  |  |  |  |  |  |  |  |  |  |  |  |  |  |  |  |  |  |  |  |  |  |   |  |  |  |         |  |  |  |
|                         |   | Disconnected | 1       | Disconnect  |  |  |  |  |  |  |  |  |  |  |  |  |  |  |  |  |  |  |  |  |  |  |  |   |  |  |  |         |  |  |  |
|                         |   | Connected    | 0       | Connect     |  |  |  |  |  |  |  |  |  |  |  |  |  |  |  |  |  |  |  |  |  |  |  |   |  |  |  |         |  |  |  |

### 6.33.10.21 RXD

Address offset: 0x518

RXD register

| Bit number              | 31 30 29 28 27 26 25 24 23 22 21 20 19 18 17 16 15 14 13 12 11 10 9 8 7 6 5 4 3 2 1 0 |          |       |   |  |  |  |  |  |  |  |  |  |  |  |  |  |  |  |  |  |  |  |  |  |  |  |         |  |  |  |         |  |  |  |
|-------------------------|---|----------|-------|---|--|--|--|--|--|--|--|--|--|--|--|--|--|--|--|--|--|--|--|--|--|--|--|---------|--|--|--|---------|--|--|--|
| ID                      |   |          |       |   |  |  |  |  |  |  |  |  |  |  |  |  |  |  |  |  |  |  |  |  |  |  |  | A A A A |  |  |  | A A A A |  |  |  |
| <b>Reset 0x00000000</b> | <b>0 0</b>                |          |       |   |  |  |  |  |  |  |  |  |  |  |  |  |  |  |  |  |  |  |  |  |  |  |  |         |  |  |  |         |  |  |  |
| ID                      | Acce Field  | Value ID | Value | Description   |  |  |  |  |  |  |  |  |  |  |  |  |  |  |  |  |  |  |  |  |  |  |  |         |  |  |  |         |  |  |  |
| A                       | R RXD   |          |       | RX data received in previous transfers, double buffered |  |  |  |  |  |  |  |  |  |  |  |  |  |  |  |  |  |  |  |  |  |  |  |         |  |  |  |         |  |  |  |

### 6.33.10.22 TXD

Address offset: 0x51C

TXD register

| Bit number              | 31 30 29 28 27 26 25 24 23 22 21 20 19 18 17 16 15 14 13 12 11 10 9 8 7 6 5 4 3 2 1 0 |          |       |                           |  |  |  |  |  |  |  |  |  |  |  |  |  |  |  |  |  |  |  |  |  |  |  |         |  |  |  |         |  |  |  |
|-------------------------|---|----------|-------|---------------------------|--|--|--|--|--|--|--|--|--|--|--|--|--|--|--|--|--|--|--|--|--|--|--|---------|--|--|--|---------|--|--|--|
| ID                      |   |          |       |                           |  |  |  |  |  |  |  |  |  |  |  |  |  |  |  |  |  |  |  |  |  |  |  | A A A A |  |  |  | A A A A |  |  |  |
| <b>Reset 0x00000000</b> | <b>0 0</b>                |          |       |                           |  |  |  |  |  |  |  |  |  |  |  |  |  |  |  |  |  |  |  |  |  |  |  |         |  |  |  |         |  |  |  |
| ID                      | Acce Field  | Value ID | Value | Description               |  |  |  |  |  |  |  |  |  |  |  |  |  |  |  |  |  |  |  |  |  |  |  |         |  |  |  |         |  |  |  |
| A                       | W TXD   |          |       | TX data to be transferred |  |  |  |  |  |  |  |  |  |  |  |  |  |  |  |  |  |  |  |  |  |  |  |         |  |  |  |         |  |  |  |

### 6.33.10.23 BAUDRATE

Address offset: 0x524

Baud rate. Accuracy depends on the HFCLK source selected.

| Bit number              | 31 30 29 28 27 26 25 24 23 22 21 20 19 18 17 16 15 14 13 12 11 10 9 8 7 6 5 4 3 2 1 0 |           |            |                                 |  |  |  |  |  |  |  |  |  |  |  |  |  |  |  |  |  |  |  |  |  |  |  |         |  |  |  |
|-------------------------|---|-----------|------------|---------------------------------|--|--|--|--|--|--|--|--|--|--|--|--|--|--|--|--|--|--|--|--|--|--|--|---------|--|--|--|
| ID                      | A                           |           |            |                                 |  |  |  |  |  |  |  |  |  |  |  |  |  |  |  |  |  |  |  |  |  |  |  | A A A A |  |  |  |
| <b>Reset 0x04000000</b> | <b>0 0 0 0 0 1 0</b>                |           |            |                                 |  |  |  |  |  |  |  |  |  |  |  |  |  |  |  |  |  |  |  |  |  |  |  |         |  |  |  |
| ID                      | Acce Field  | Value ID  | Value      | Description                     |  |  |  |  |  |  |  |  |  |  |  |  |  |  |  |  |  |  |  |  |  |  |  |         |  |  |  |
| A                       | RW BAUDRATE   |           |            | Baud rate                       |  |  |  |  |  |  |  |  |  |  |  |  |  |  |  |  |  |  |  |  |  |  |  |         |  |  |  |
|                         |   | Baud1200  | 0x0004F000 | 1200 baud (actual rate: 1205)   |  |  |  |  |  |  |  |  |  |  |  |  |  |  |  |  |  |  |  |  |  |  |  |         |  |  |  |
|                         |   | Baud2400  | 0x0009D000 | 2400 baud (actual rate: 2396)   |  |  |  |  |  |  |  |  |  |  |  |  |  |  |  |  |  |  |  |  |  |  |  |         |  |  |  |
|                         |   | Baud4800  | 0x0013B000 | 4800 baud (actual rate: 4808)   |  |  |  |  |  |  |  |  |  |  |  |  |  |  |  |  |  |  |  |  |  |  |  |         |  |  |  |
|                         |   | Baud9600  | 0x00275000 | 9600 baud (actual rate: 9598)   |  |  |  |  |  |  |  |  |  |  |  |  |  |  |  |  |  |  |  |  |  |  |  |         |  |  |  |
|                         |   | Baud14400 | 0x003B0000 | 14400 baud (actual rate: 14414) |  |  |  |  |  |  |  |  |  |  |  |  |  |  |  |  |  |  |  |  |  |  |  |         |  |  |  |
|                         |   | Baud19200 | 0x004EA000 | 19200 baud (actual rate: 19208) |  |  |  |  |  |  |  |  |  |  |  |  |  |  |  |  |  |  |  |  |  |  |  |         |  |  |  |
|                         |   | Baud28800 | 0x0075F000 | 28800 baud (actual rate: 28829) |  |  |  |  |  |  |  |  |  |  |  |  |  |  |  |  |  |  |  |  |  |  |  |         |  |  |  |
|                         |   | Baud31250 | 0x00800000 | 31250 baud                      |  |  |  |  |  |  |  |  |  |  |  |  |  |  |  |  |  |  |  |  |  |  |  |         |  |  |  |
|                         |   | Baud38400 | 0x009D5000 | 38400 baud (actual rate: 38462) |  |  |  |  |  |  |  |  |  |  |  |  |  |  |  |  |  |  |  |  |  |  |  |         |  |  |  |
|                         |   | Baud56000 | 0x00E50000 | 56000 baud (actual rate: 55944) |  |  |  |  |  |  |  |  |  |  |  |  |  |  |  |  |  |  |  |  |  |  |  |         |  |  |  |

| Bit number       | 31          | 30         | 29         | 28                                | 27 | 26 | 25 | 24 | 23 | 22 | 21 | 20 | 19 | 18 | 17 | 16 | 15 | 14 | 13 | 12 | 11 | 10 | 9 | 8 | 7 | 6 | 5 | 4 | 3 | 2 | 1 | 0 |
|------------------|-------------|------------|------------|-----------------------------------|----|----|----|----|----|----|----|----|----|----|----|----|----|----|----|----|----|----|---|---|---|---|---|---|---|---|---|---|
| ID               | A           | A          | A          | A                                 | A  | A  | A  | A  | A  | A  | A  | A  | A  | A  | A  | A  | A  | A  | A  | A  | A  | A  | A | A | A | A | A | A | A | A | A | A |
| Reset 0x04000000 | 0           | 0          | 0          | 0                                 | 0  | 1  | 0  | 0  | 0  | 0  | 0  | 0  | 0  | 0  | 0  | 0  | 0  | 0  | 0  | 0  | 0  | 0  | 0 | 0 | 0 | 0 | 0 | 0 | 0 | 0 | 0 |   |
| ID               | Acces Field | Value ID   | Value      | Description                       |    |    |    |    |    |    |    |    |    |    |    |    |    |    |    |    |    |    |   |   |   |   |   |   |   |   |   |   |
|                  |             | Baud57600  | 0x00EBF000 | 57600 baud (actual rate: 57762)   |    |    |    |    |    |    |    |    |    |    |    |    |    |    |    |    |    |    |   |   |   |   |   |   |   |   |   |   |
|                  |             | Baud76800  | 0x013A9000 | 76800 baud (actual rate: 76923)   |    |    |    |    |    |    |    |    |    |    |    |    |    |    |    |    |    |    |   |   |   |   |   |   |   |   |   |   |
|                  |             | Baud115200 | 0x01D7E000 | 115200 baud (actual rate: 115942) |    |    |    |    |    |    |    |    |    |    |    |    |    |    |    |    |    |    |   |   |   |   |   |   |   |   |   |   |
|                  |             | Baud230400 | 0x03AFB000 | 230400 baud (actual rate: 231884) |    |    |    |    |    |    |    |    |    |    |    |    |    |    |    |    |    |    |   |   |   |   |   |   |   |   |   |   |
|                  |             | Baud250000 | 0x04000000 | 250000 baud                       |    |    |    |    |    |    |    |    |    |    |    |    |    |    |    |    |    |    |   |   |   |   |   |   |   |   |   |   |
|                  |             | Baud460800 | 0x075F7000 | 460800 baud (actual rate: 470588) |    |    |    |    |    |    |    |    |    |    |    |    |    |    |    |    |    |    |   |   |   |   |   |   |   |   |   |   |
|                  |             | Baud921600 | 0x0EBED000 | 921600 baud (actual rate: 941176) |    |    |    |    |    |    |    |    |    |    |    |    |    |    |    |    |    |    |   |   |   |   |   |   |   |   |   |   |
|                  |             | Baud1M     | 0x10000000 | 1Mega baud                        |    |    |    |    |    |    |    |    |    |    |    |    |    |    |    |    |    |    |   |   |   |   |   |   |   |   |   |   |

### 6.33.10.24 CONFIG

Address offset: 0x56C

Configuration of parity and hardware flow control

| Bit number       | 31          | 30       | 29    | 28                    | 27 | 26 | 25 | 24 | 23 | 22 | 21 | 20 | 19 | 18 | 17 | 16 | 15 | 14 | 13 | 12 | 11 | 10 | 9 | 8 | 7 | 6 | 5 | 4 | 3 | 2 | 1 | 0 |   |   |   |   |
|------------------|-------------|----------|-------|-----------------------|----|----|----|----|----|----|----|----|----|----|----|----|----|----|----|----|----|----|---|---|---|---|---|---|---|---|---|---|---|---|---|---|
| ID               |             |          |       |                       |    |    |    |    |    |    |    |    |    |    |    |    |    |    |    |    |    |    |   |   |   |   |   |   |   |   |   | C | B | B | B | A |
| Reset 0x00000000 | 0           | 0        | 0     | 0                     | 0  | 0  | 0  | 0  | 0  | 0  | 0  | 0  | 0  | 0  | 0  | 0  | 0  | 0  | 0  | 0  | 0  | 0  | 0 | 0 | 0 | 0 | 0 | 0 | 0 | 0 | 0 | 0 | 0 | 0 |   |   |
| ID               | Acces Field | Value ID | Value | Description           |    |    |    |    |    |    |    |    |    |    |    |    |    |    |    |    |    |    |   |   |   |   |   |   |   |   |   |   |   |   |   |   |
| A                | RW HWFC     |          |       | Hardware flow control |    |    |    |    |    |    |    |    |    |    |    |    |    |    |    |    |    |    |   |   |   |   |   |   |   |   |   |   |   |   |   |   |
|                  |             | Disabled | 0     | Disabled              |    |    |    |    |    |    |    |    |    |    |    |    |    |    |    |    |    |    |   |   |   |   |   |   |   |   |   |   |   |   |   |   |
|                  |             | Enabled  | 1     | Enabled               |    |    |    |    |    |    |    |    |    |    |    |    |    |    |    |    |    |    |   |   |   |   |   |   |   |   |   |   |   |   |   |   |
| B                | RW PARITY   |          |       | Parity                |    |    |    |    |    |    |    |    |    |    |    |    |    |    |    |    |    |    |   |   |   |   |   |   |   |   |   |   |   |   |   |   |
|                  |             | Excluded | 0x0   | Exclude parity bit    |    |    |    |    |    |    |    |    |    |    |    |    |    |    |    |    |    |    |   |   |   |   |   |   |   |   |   |   |   |   |   |   |
|                  |             | Included | 0x7   | Include parity bit    |    |    |    |    |    |    |    |    |    |    |    |    |    |    |    |    |    |    |   |   |   |   |   |   |   |   |   |   |   |   |   |   |
| C                | RW STOP     |          |       | Stop bits             |    |    |    |    |    |    |    |    |    |    |    |    |    |    |    |    |    |    |   |   |   |   |   |   |   |   |   |   |   |   |   |   |
|                  |             | One      | 0     | One stop bit          |    |    |    |    |    |    |    |    |    |    |    |    |    |    |    |    |    |    |   |   |   |   |   |   |   |   |   |   |   |   |   |   |
|                  |             | Two      | 1     | Two stop bits         |    |    |    |    |    |    |    |    |    |    |    |    |    |    |    |    |    |    |   |   |   |   |   |   |   |   |   |   |   |   |   |   |

## 6.33.11 Electrical specification

### 6.33.11.1 UART electrical specification

| Symbol                  | Description  | Min. | Typ. | Max. | Units         |
|-------------------------|--|------|------|------|---------------|
| $f_{\text{UART}}$       | Baud rate for UART <sup>41</sup> .                     |      |      | 1000 | kbps          |
| $t_{\text{UART,CTSH}}$  | CTS high time  | 1    |      |      | $\mu\text{s}$ |
| $t_{\text{UART,START}}$ | Time from STARTRX/STARTTX task to transmission started |      | 1    |      | $\mu\text{s}$ |

## 6.34 UARTE — Universal asynchronous receiver/transmitter with EasyDMA

The Universal asynchronous receiver/transmitter with EasyDMA (UARTE) offers fast, full-duplex, asynchronous serial communication with built-in flow control (CTS, RTS) support in hardware at a rate up to 1 Mbps, and EasyDMA data transfer from/to RAM.

Listed here are the main features for UARTE:

<sup>41</sup> High baud rates may require GPIOs to be set as High Drive, see [GPIO](#) for more details.

- Full-duplex operation
- Automatic hardware flow control
- Optional even parity bit checking and generation
- EasyDMA
- Up to 1 Mbps baudrate
- Return to IDLE between transactions supported (when using HW flow control)
- One or two stop bit
- Least significant bit (LSB) first

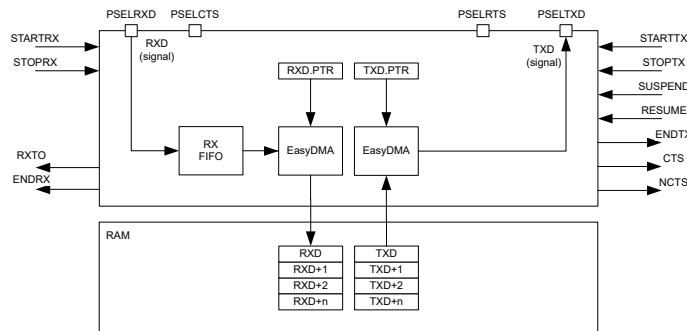


Figure 191: UARTE configuration

The GPIOs used for each UART interface can be chosen from any GPIO on the device and are independently configurable. This enables great flexibility in device pinout and efficient use of board space and signal routing.

**Note:** The external crystal oscillator must be enabled to obtain sufficient clock accuracy for stable communication. See [CLOCK — Clock control](#) on page 85 for more information.

### 6.34.1 EasyDMA

The UARTE implements EasyDMA for reading and writing to and from the RAM.

If the TXD.PTR and the RXD.PTR are not pointing to the Data RAM region, an EasyDMA transfer may result in a HardFault or RAM corruption. See [Memory](#) on page 20 for more information about the different memory regions.

The .PTR and .MAXCNT registers are double-buffered. They can be updated and prepared for the next RX/TX transmission immediately after having received the RXSTARTED/TXSTARTED event.

The ENDRX and ENDTX events indicate that the EasyDMA is finished accessing the RX or TX buffer in RAM.

### 6.34.2 Transmission

The first step of a DMA transmission is storing bytes in the transmit buffer and configuring EasyDMA. This is achieved by writing the initial address pointer to TXD.PTR, and the number of bytes in the RAM buffer to TXD.MAXCNT. The UARTE transmission is started by triggering the STARTTX task.

After each byte has been sent over the TXD line, a TXDRDY event will be generated.

When all bytes in the TXD buffer, as specified in the TXD.MAXCNT register, have been transmitted, the UARTE transmission will end automatically and an ENDTX event will be generated.

A UARTE transmission sequence is stopped by triggering the STOPTX task. A TXSTOPPED event will be generated when the UARTE transmitter has stopped.

If the ENDTX event has not already been generated when the UART transmitter has come to a stop, the UART will generate the ENDTX event explicitly even though all bytes in the TXD buffer, as specified in the TXD.MAXCNT register, have not been transmitted.

If flow control is enabled through the HWFC field in the CONFIG register, a transmission will be automatically suspended when CTS is deactivated and resumed when CTS is activated again, as shown in the following figure. A byte that is in transmission when CTS is deactivated will be fully transmitted before the transmission is suspended.

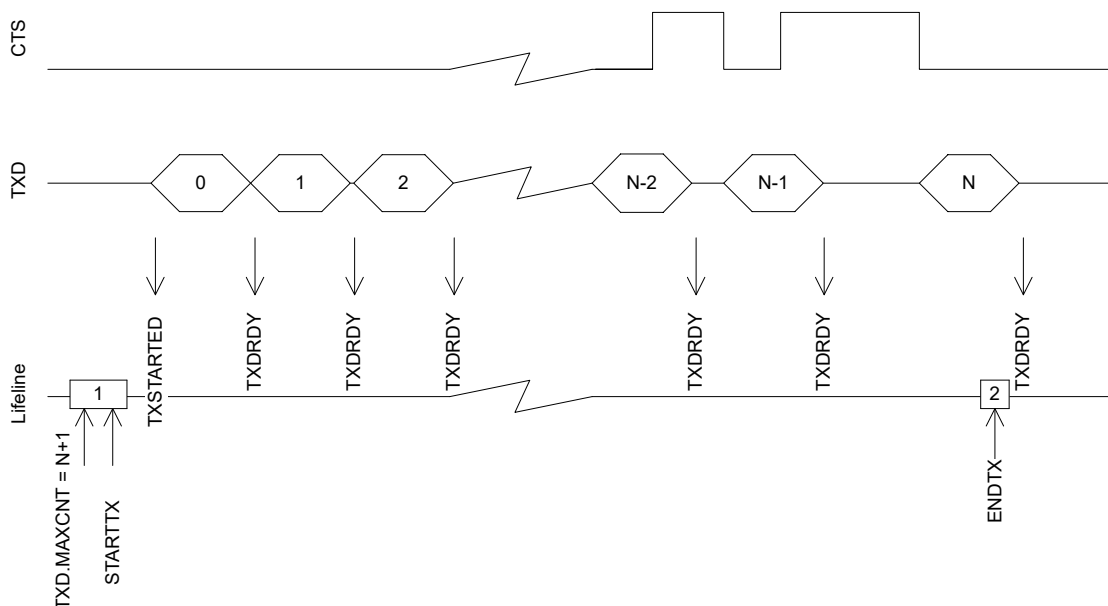


Figure 192: UART transmission

The UART transmitter will be in its lowest activity level, and consume the least amount of energy, when it is stopped, i.e. before it is started via STARTTX or after it has been stopped via STOPTX and the TXSTOPPED event has been generated. See [POWER — Power supply](#) on page 64 for more information about power modes.

### 6.34.3 Reception

The UART receiver is started by triggering the STARTRX task. The UART receiver is using EasyDMA to store incoming data in an RX buffer in RAM.

The RX buffer is located at the address specified in the RXD.PTR register. The RXD.PTR register is double-buffered and it can be updated and prepared for the next STARTRX task immediately after the RXSTARTED event is generated. The size of the RX buffer is specified in the RXD.MAXCNT register. The UART generates an ENDRX event when it has filled up the RX buffer, as seen in the following figure.

For each byte received over the RXD line, an RXDRDY event will be generated. This event is likely to occur before the corresponding data has been transferred to Data RAM.

The RXD.AMOUNT register can be queried following an ENDRX event to see how many new bytes have been transferred to the RX buffer in RAM since the previous ENDRX event.



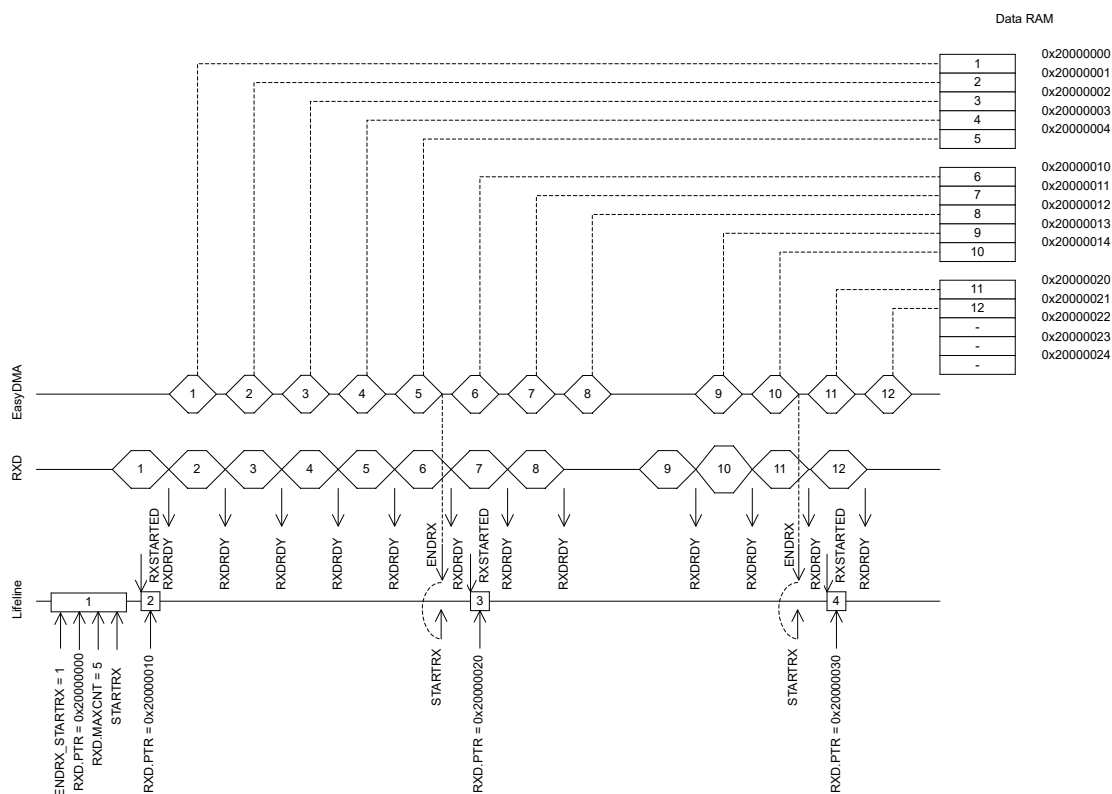


Figure 193: UARTE reception

The UARTE receiver is stopped by triggering the STOPRX task. An RXTO event is generated when the UARTE has stopped. The UARTE will make sure that an impending ENDRX event will be generated before the RXTO event is generated. This means that the UARTE will guarantee that no ENDRX event will be generated after RXTO, unless the UARTE is restarted or a FLUSHRX command is issued after the RXTO event is generated.

**Note:** If the ENDRX event has not been generated when the UARTE receiver stops, indicating that all pending content in the RX FIFO has been moved to the RX buffer, the UARTE will generate the ENDRX event explicitly even though the RX buffer is not full. In this scenario the ENDRX event will be generated before the RXTO event is generated.

To determine the amount of bytes the RX buffer has received, the CPU can read the RXD.AMOUNT register following the ENDRX event or the RXTO event.

The UARTE is able to receive up to four bytes after the STOPRX task has been triggered, as long as these are sent in succession immediately after the RTS signal is deactivated. After the RTS is deactivated, the UART is able to receive bytes for a period of time equal to the time needed to send four bytes on the configured baud rate.

After the RXTO event is generated the internal RX FIFO may still contain data, and to move this data to RAM the FLUSHRX task must be triggered. To make sure that this data does not overwrite data in the RX buffer, the RX buffer should be emptied or the RXD.PTR should be updated before the FLUSHRX task is triggered. To make sure that all data in the RX FIFO is moved to the RX buffer, the RXD.MAXCNT register must be set to  $RXD.MAXCNT > 4$ , as seen in the following figure. The UARTE will generate the ENDRX event after completing the FLUSHRX task even if the RX FIFO was empty or if the RX buffer does not get filled up. To be able to know how many bytes have actually been received into the RX buffer in this case, the CPU can read the RXD.AMOUNT register following the ENDRX event.

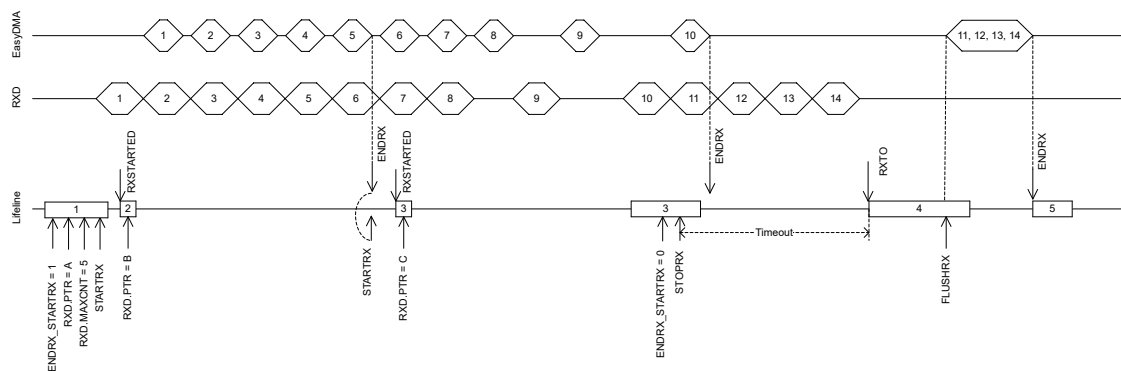


Figure 194: UARTE reception with forced stop via STOPRX

If HW flow control is enabled through the HWFC field in the CONFIG register, the RTS signal will be deactivated when the receiver is stopped via the STOPRX task or when the UARTE is only able to receive four more bytes in its internal RX FIFO.

With flow control disabled, the UARTE will function in the same way as when the flow control is enabled except that the RTS line will not be used. This means that no signal will be generated when the UARTE has reached the point where it is only able to receive four more bytes in its internal RX FIFO. Data received when the internal RX FIFO is filled up, will be lost.

The UARTE receiver will be in its lowest activity level, and consume the least amount of energy, when it is stopped, i.e. before it is started via STARTRX or after it has been stopped via STOPRX and the RXTO event has been generated. See [POWER — Power supply](#) on page 64 for more information about power modes.

### 6.34.4 Error conditions

An ERROR event, in the form of a framing error, will be generated if a valid stop bit is not detected in a frame. Another ERROR event, in the form of a break condition, will be generated if the RXD line is held active low for longer than the length of a data frame. Effectively, a framing error is always generated before a break condition occurs.

An ERROR event will not stop reception. If the error was a parity error, the received byte will still be transferred into Data RAM, and so will following incoming bytes. If there was a framing error (wrong stop bit), that specific byte will NOT be stored into Data RAM, but following incoming bytes will.

### 6.34.5 Using the UARTE without flow control

If flow control is not enabled, the interface will behave as if the CTS and RTS lines are kept active all the time.

### 6.34.6 Parity and stop bit configuration

Automatic even parity generation for both transmission and reception can be configured using the register [CONFIG](#) on page 532. See the register description for details.

The amount of stop bits can also be configured through the register [CONFIG](#) on page 532.

### 6.34.7 Low power

When putting the system in low power and the peripheral is not needed, lowest possible power consumption is achieved by stopping, and then disabling the peripheral.

The STOPTH and STOPRX tasks may not be always needed (the peripheral might already be stopped), but if STOPTH and/or STOPRX is sent, software shall wait until the TXSTOPPED and/or RXTO event is received in response, before disabling the peripheral through the ENABLE register.

### 6.34.8 Pin configuration

The different signals RXD, CTS (Clear To Send, active low), RTS (Request To Send, active low), and TXD associated with the UARTE are mapped to physical pins according to the configuration specified in the PSEL.RXD, PSEL.CTS, PSEL.RTS, and PSEL.TXD registers respectively.

The PSEL.RXD, PSEL.CTS, PSEL.RTS, and PSEL.TXD registers and their configurations are only used as long as the UARTE is enabled, and retained only for the duration the device is in ON mode. PSEL.RXD, PSEL.RTS, PSEL.RTS, and PSEL.TXD must only be configured when the UARTE is disabled.

To secure correct signal levels on the pins by the UARTE when the system is in OFF mode, the pins must be configured in the GPIO peripheral as described in the following table.

Only one peripheral can be assigned to drive a particular GPIO pin at a time. Failing to do so may result in unpredictable behavior.

| UARTE signal | UARTE pin                | Direction | Output value   |
|--------------|--------------------------|-----------|----------------|
| RXD          | As specified in PSEL.RXD | Input     | Not applicable |
| CTS          | As specified in PSEL.CTS | Input     | Not applicable |
| RTS          | As specified in PSEL.RTS | Output    | 1              |
| TXD          | As specified in PSEL.TXD | Output    | 1              |

Table 135: GPIO configuration before enabling peripheral

### 6.34.9 Registers

| Base address | Peripheral | Instance | Description  | Configuration |
|--------------|------------|----------|--|---------------|
| 0x40002000   | UARTE      | UARTE0   | Universal asynchronous receiver/transmitter with EasyDMA, unit 0 |               |
| 0x40028000   | UARTE      | UARTE1   | Universal asynchronous receiver/transmitter with EasyDMA, unit 1 |               |

Table 136: Instances

| Register         | Offset | Description  |
|------------------|--------|--|
| TASKS_STARTRX    | 0x000  | Start UART receiver  |
| TASKS_STOPRX     | 0x004  | Stop UART receiver   |
| TASKS_STARTTX    | 0x008  | Start UART transmitter   |
| TASKS_STOPTX     | 0x00C  | Stop UART transmitter  |
| TASKS_FLUSHRX    | 0x02C  | Flush RX FIFO into RX buffer   |
| EVENTS_CTS       | 0x100  | CTS is activated (set low). Clear To Send.                             |
| EVENTS_NCTS      | 0x104  | CTS is deactivated (set high). Not Clear To Send.                      |
| EVENTS_RXDRDY    | 0x108  | Data received in RXD (but potentially not yet transferred to Data RAM) |
| EVENTS_ENDRX     | 0x110  | Receive buffer is filled up  |
| EVENTS_TXDRDY    | 0x11C  | Data sent from TXD   |
| EVENTS_ENDTX     | 0x120  | Last TX byte transmitted   |
| EVENTS_ERROR     | 0x124  | Error detected   |
| EVENTS_RXT0      | 0x144  | Receiver timeout   |
| EVENTS_RXSTARTED | 0x14C  | UART receiver has started  |
| EVENTS_TXSTARTED | 0x150  | UART transmitter has started   |
| EVENTS_TXSTOPPED | 0x158  | Transmitter stopped  |
| SHORTS           | 0x200  | Shortcuts between local events and tasks                               |
| INTEN            | 0x300  | Enable or disable interrupt  |
| INTENSET         | 0x304  | Enable interrupt   |
| INTENCLR         | 0x308  | Disable interrupt  |

| Register   | Offset | Description   |
|------------|--------|---|
| ERRORSRC   | 0x480  | Error source  |
|            |        | This register is read/write one to clear.                 |
| ENABLE     | 0x500  | Enable UART   |
| PSEL.RTS   | 0x508  | Pin select for RTS signal                                 |
| PSEL.TXD   | 0x50C  | Pin select for TXD signal                                 |
| PSEL.CTS   | 0x510  | Pin select for CTS signal                                 |
| PSEL.RXD   | 0x514  | Pin select for RXD signal                                 |
| BAUDRATE   | 0x524  | Baud rate. Accuracy depends on the HFCLK source selected. |
| RXD.PTR    | 0x534  | Data pointer  |
| RXD.MAXCNT | 0x538  | Maximum number of bytes in receive buffer                 |
| RXD.AMOUNT | 0x53C  | Number of bytes transferred in the last transaction       |
| TXD.PTR    | 0x544  | Data pointer  |
| TXD.MAXCNT | 0x548  | Maximum number of bytes in transmit buffer                |
| TXD.AMOUNT | 0x54C  | Number of bytes transferred in the last transaction       |
| CONFIG     | 0x56C  | Configuration of parity and hardware flow control         |

Table 137: Register overview

### 6.34.9.1 TASKS\_STARTRX

Address offset: 0x000

Start UART receiver

| Bit number       | 31 30 29 28 27 26 25 24 23 22 21 20 19 18 17 16 15 14 13 12 11 10 9 8 7 6 5 4 3 2 1 0 |               |          |       |                     |  |  |  |  |  |  |  |  |  |  |  |  |  |  |  |  |  |  |  |  |  |  |  |  |  |  |
|------------------|---|---------------|----------|-------|---------------------|--|--|--|--|--|--|--|--|--|--|--|--|--|--|--|--|--|--|--|--|--|--|--|--|--|--|
| ID               | A   |               |          |       |                     |  |  |  |  |  |  |  |  |  |  |  |  |  |  |  |  |  |  |  |  |  |  |  |  |  |  |
| Reset 0x00000000 | 0             |               |          |       |                     |  |  |  |  |  |  |  |  |  |  |  |  |  |  |  |  |  |  |  |  |  |  |  |  |  |  |
| ID               | Acces   | Field         | Value ID | Value | Description         |  |  |  |  |  |  |  |  |  |  |  |  |  |  |  |  |  |  |  |  |  |  |  |  |  |  |
| A                | W   | TASKS_STARTRX |          |       | Start UART receiver |  |  |  |  |  |  |  |  |  |  |  |  |  |  |  |  |  |  |  |  |  |  |  |  |  |  |
|                  |   |               | Trigger  | 1     | Trigger task        |  |  |  |  |  |  |  |  |  |  |  |  |  |  |  |  |  |  |  |  |  |  |  |  |  |  |

### 6.34.9.2 TASKS\_STOPRX

Address offset: 0x004

Stop UART receiver

| Bit number       | 31 30 29 28 27 26 25 24 23 22 21 20 19 18 17 16 15 14 13 12 11 10 9 8 7 6 5 4 3 2 1 0 |              |          |       |                    |  |  |  |  |  |  |  |  |  |  |  |  |  |  |  |  |  |  |  |  |  |  |  |  |  |  |
|------------------|---|--------------|----------|-------|--------------------|--|--|--|--|--|--|--|--|--|--|--|--|--|--|--|--|--|--|--|--|--|--|--|--|--|--|
| ID               | A   |              |          |       |                    |  |  |  |  |  |  |  |  |  |  |  |  |  |  |  |  |  |  |  |  |  |  |  |  |  |  |
| Reset 0x00000000 | 0             |              |          |       |                    |  |  |  |  |  |  |  |  |  |  |  |  |  |  |  |  |  |  |  |  |  |  |  |  |  |  |
| ID               | Acces   | Field        | Value ID | Value | Description        |  |  |  |  |  |  |  |  |  |  |  |  |  |  |  |  |  |  |  |  |  |  |  |  |  |  |
| A                | W   | TASKS_STOPRX |          |       | Stop UART receiver |  |  |  |  |  |  |  |  |  |  |  |  |  |  |  |  |  |  |  |  |  |  |  |  |  |  |
|                  |   |              | Trigger  | 1     | Trigger task       |  |  |  |  |  |  |  |  |  |  |  |  |  |  |  |  |  |  |  |  |  |  |  |  |  |  |

### 6.34.9.3 TASKS\_STARTTX

Address offset: 0x008

Start UART transmitter

| Bit number | 31         | 30            | 29       | 28    | 27                     | 26 | 25 | 24 | 23 | 22 | 21 | 20 | 19 | 18 | 17 | 16 | 15 | 14 | 13 | 12 | 11 | 10 | 9 | 8 | 7 | 6 | 5 | 4 | 3 | 2 | 1 | 0 |   |
|------------|------------|---------------|----------|-------|------------------------|----|----|----|----|----|----|----|----|----|----|----|----|----|----|----|----|----|---|---|---|---|---|---|---|---|---|---|---|
| ID         |            |               |          |       |                        |    |    |    |    |    |    |    |    |    |    |    |    |    |    |    |    |    |   |   |   |   |   |   |   |   |   | A |   |
| Reset      | 0x00000000 |               |          |       |                        |    |    |    |    |    |    |    |    |    |    |    |    |    |    |    |    |    |   |   |   |   |   |   |   |   |   |   |   |
| 0          | 0          | 0             | 0        | 0     | 0                      | 0  | 0  | 0  | 0  | 0  | 0  | 0  | 0  | 0  | 0  | 0  | 0  | 0  | 0  | 0  | 0  | 0  | 0 | 0 | 0 | 0 | 0 | 0 | 0 | 0 | 0 | 0 | 0 |
| ID         | Acce       | Field         | Value ID | Value | Description            |    |    |    |    |    |    |    |    |    |    |    |    |    |    |    |    |    |   |   |   |   |   |   |   |   |   |   |   |
| A          | W          | TASKS_STARTTX |          |       | Start UART transmitter |    |    |    |    |    |    |    |    |    |    |    |    |    |    |    |    |    |   |   |   |   |   |   |   |   |   |   |   |
|            |            |               | Trigger  | 1     | Trigger task           |    |    |    |    |    |    |    |    |    |    |    |    |    |    |    |    |    |   |   |   |   |   |   |   |   |   |   |   |

#### 6.34.9.4 TASKS\_STOPTX

Address offset: 0x00C

Stop UART transmitter

| Bit number | 31         | 30           | 29       | 28    | 27                    | 26 | 25 | 24 | 23 | 22 | 21 | 20 | 19 | 18 | 17 | 16 | 15 | 14 | 13 | 12 | 11 | 10 | 9 | 8 | 7 | 6 | 5 | 4 | 3 | 2 | 1 | 0 |
|------------|------------|--------------|----------|-------|-----------------------|----|----|----|----|----|----|----|----|----|----|----|----|----|----|----|----|----|---|---|---|---|---|---|---|---|---|---|
| ID         |            |              |          |       |                       |    |    |    |    |    |    |    |    |    |    |    |    |    |    |    |    |    |   |   |   |   |   |   |   |   |   | A |
| Reset      | 0x00000000 |              |          |       |                       |    |    |    |    |    |    |    |    |    |    |    |    |    |    |    |    |    |   |   |   |   |   |   |   |   |   |   |
| 0          | 0          | 0            | 0        | 0     | 0                     | 0  | 0  | 0  | 0  | 0  | 0  | 0  | 0  | 0  | 0  | 0  | 0  | 0  | 0  | 0  | 0  | 0  | 0 | 0 | 0 | 0 | 0 | 0 | 0 | 0 | 0 | 0 |
| ID         | Acce       | Field        | Value ID | Value | Description           |    |    |    |    |    |    |    |    |    |    |    |    |    |    |    |    |    |   |   |   |   |   |   |   |   |   |   |
| A          | W          | TASKS_STOPTX |          |       | Stop UART transmitter |    |    |    |    |    |    |    |    |    |    |    |    |    |    |    |    |    |   |   |   |   |   |   |   |   |   |   |
|            |            |              | Trigger  | 1     | Trigger task          |    |    |    |    |    |    |    |    |    |    |    |    |    |    |    |    |    |   |   |   |   |   |   |   |   |   |   |

#### 6.34.9.5 TASKS\_FLUSHRX

Address offset: 0x02C

Flush RX FIFO into RX buffer

| Bit number | 31         | 30            | 29       | 28    | 27                           | 26 | 25 | 24 | 23 | 22 | 21 | 20 | 19 | 18 | 17 | 16 | 15 | 14 | 13 | 12 | 11 | 10 | 9 | 8 | 7 | 6 | 5 | 4 | 3 | 2 | 1 | 0 |
|------------|------------|---------------|----------|-------|------------------------------|----|----|----|----|----|----|----|----|----|----|----|----|----|----|----|----|----|---|---|---|---|---|---|---|---|---|---|
| ID         |            |               |          |       |                              |    |    |    |    |    |    |    |    |    |    |    |    |    |    |    |    |    |   |   |   |   |   |   |   |   |   | A |
| Reset      | 0x00000000 |               |          |       |                              |    |    |    |    |    |    |    |    |    |    |    |    |    |    |    |    |    |   |   |   |   |   |   |   |   |   |   |
| 0          | 0          | 0             | 0        | 0     | 0                            | 0  | 0  | 0  | 0  | 0  | 0  | 0  | 0  | 0  | 0  | 0  | 0  | 0  | 0  | 0  | 0  | 0  | 0 | 0 | 0 | 0 | 0 | 0 | 0 | 0 | 0 | 0 |
| ID         | Acce       | Field         | Value ID | Value | Description                  |    |    |    |    |    |    |    |    |    |    |    |    |    |    |    |    |    |   |   |   |   |   |   |   |   |   |   |
| A          | W          | TASKS_FLUSHRX |          |       | Flush RX FIFO into RX buffer |    |    |    |    |    |    |    |    |    |    |    |    |    |    |    |    |    |   |   |   |   |   |   |   |   |   |   |
|            |            |               | Trigger  | 1     | Trigger task                 |    |    |    |    |    |    |    |    |    |    |    |    |    |    |    |    |    |   |   |   |   |   |   |   |   |   |   |

#### 6.34.9.6 EVENTS\_CTS

Address offset: 0x100

CTS is activated (set low). Clear To Send.

| Bit number | 31         | 30         | 29           | 28    | 27   | 26 | 25 | 24 | 23 | 22 | 21 | 20 | 19 | 18 | 17 | 16 | 15 | 14 | 13 | 12 | 11 | 10 | 9 | 8 | 7 | 6 | 5 | 4 | 3 | 2 | 1 | 0 |
|------------|------------|------------|--------------|-------|--|----|----|----|----|----|----|----|----|----|----|----|----|----|----|----|----|----|---|---|---|---|---|---|---|---|---|---|
| ID         |            |            |              |       |  |    |    |    |    |    |    |    |    |    |    |    |    |    |    |    |    |    |   |   |   |   |   |   |   |   |   | A |
| Reset      | 0x00000000 |            |              |       |  |    |    |    |    |    |    |    |    |    |    |    |    |    |    |    |    |    |   |   |   |   |   |   |   |   |   |   |
| 0          | 0          | 0          | 0            | 0     | 0  | 0  | 0  | 0  | 0  | 0  | 0  | 0  | 0  | 0  | 0  | 0  | 0  | 0  | 0  | 0  | 0  | 0  | 0 | 0 | 0 | 0 | 0 | 0 | 0 | 0 | 0 | 0 |
| ID         | Acce       | Field      | Value ID     | Value | Description                                |    |    |    |    |    |    |    |    |    |    |    |    |    |    |    |    |    |   |   |   |   |   |   |   |   |   |   |
| A          | RW         | EVENTS_CTS |              |       | CTS is activated (set low). Clear To Send. |    |    |    |    |    |    |    |    |    |    |    |    |    |    |    |    |    |   |   |   |   |   |   |   |   |   |   |
|            |            |            | NotGenerated | 0     | Event not generated                        |    |    |    |    |    |    |    |    |    |    |    |    |    |    |    |    |    |   |   |   |   |   |   |   |   |   |   |
|            |            |            | Generated    | 1     | Event generated                            |    |    |    |    |    |    |    |    |    |    |    |    |    |    |    |    |    |   |   |   |   |   |   |   |   |   |   |

#### 6.34.9.7 EVENTS\_NCTS

Address offset: 0x104

CTS is deactivated (set high). Not Clear To Send.

| Bit number | 31  | 30           | 29    | 28  | 27 | 26 | 25 | 24 | 23 | 22 | 21 | 20 | 19 | 18 | 17 | 16 | 15 | 14 | 13 | 12 | 11 | 10 | 9 | 8 | 7 | 6 | 5 | 4 | 3 | 2 | 1 | 0 |
|------------|---|--------------|-------|---|----|----|----|----|----|----|----|----|----|----|----|----|----|----|----|----|----|----|---|---|---|---|---|---|---|---|---|---|
| ID         |   |              |       |   |    |    |    |    |    |    |    |    |    |    |    |    |    |    |    |    |    |    |   |   |   |   |   |   |   |   |   | A |
| Reset      | 0x00000000  |              |       |   |    |    |    |    |    |    |    |    |    |    |    |    |    |    |    |    |    |    |   |   |   |   |   |   |   |   |   |   |
|            | 0 |              |       |   |    |    |    |    |    |    |    |    |    |    |    |    |    |    |    |    |    |    |   |   |   |   |   |   |   |   |   |   |
| ID         | Acce Field  | Value ID     | Value | Description                                       |    |    |    |    |    |    |    |    |    |    |    |    |    |    |    |    |    |    |   |   |   |   |   |   |   |   |   |   |
| A          | RW  | EVENTS_NCTS  |       | CTS is deactivated (set high). Not Clear To Send. |    |    |    |    |    |    |    |    |    |    |    |    |    |    |    |    |    |    |   |   |   |   |   |   |   |   |   |   |
|            |   | NotGenerated | 0     | Event not generated                               |    |    |    |    |    |    |    |    |    |    |    |    |    |    |    |    |    |    |   |   |   |   |   |   |   |   |   |   |
|            |   | Generated    | 1     | Event generated                                   |    |    |    |    |    |    |    |    |    |    |    |    |    |    |    |    |    |    |   |   |   |   |   |   |   |   |   |   |

### 6.34.9.8 EVENTS\_RXDRDY

Address offset: 0x108

Data received in RXD (but potentially not yet transferred to Data RAM)

| Bit number | 31  | 30            | 29    | 28   | 27 | 26 | 25 | 24 | 23 | 22 | 21 | 20 | 19 | 18 | 17 | 16 | 15 | 14 | 13 | 12 | 11 | 10 | 9 | 8 | 7 | 6 | 5 | 4 | 3 | 2 | 1 | 0 |
|------------|---|---------------|-------|--|----|----|----|----|----|----|----|----|----|----|----|----|----|----|----|----|----|----|---|---|---|---|---|---|---|---|---|---|
| ID         |   |               |       |  |    |    |    |    |    |    |    |    |    |    |    |    |    |    |    |    |    |    |   |   |   |   |   |   |   |   |   | A |
| Reset      | 0x00000000  |               |       |  |    |    |    |    |    |    |    |    |    |    |    |    |    |    |    |    |    |    |   |   |   |   |   |   |   |   |   |   |
|            | 0 |               |       |  |    |    |    |    |    |    |    |    |    |    |    |    |    |    |    |    |    |    |   |   |   |   |   |   |   |   |   |   |
| ID         | Acce Field  | Value ID      | Value | Description  |    |    |    |    |    |    |    |    |    |    |    |    |    |    |    |    |    |    |   |   |   |   |   |   |   |   |   |   |
| A          | RW  | EVENTS_RXDRDY |       | Data received in RXD (but potentially not yet transferred to Data RAM) |    |    |    |    |    |    |    |    |    |    |    |    |    |    |    |    |    |    |   |   |   |   |   |   |   |   |   |   |
|            |   | NotGenerated  | 0     | Event not generated  |    |    |    |    |    |    |    |    |    |    |    |    |    |    |    |    |    |    |   |   |   |   |   |   |   |   |   |   |
|            |   | Generated     | 1     | Event generated  |    |    |    |    |    |    |    |    |    |    |    |    |    |    |    |    |    |    |   |   |   |   |   |   |   |   |   |   |

### 6.34.9.9 EVENTS\_ENDRX

Address offset: 0x110

Receive buffer is filled up

| Bit number | 31  | 30           | 29    | 28                          | 27 | 26 | 25 | 24 | 23 | 22 | 21 | 20 | 19 | 18 | 17 | 16 | 15 | 14 | 13 | 12 | 11 | 10 | 9 | 8 | 7 | 6 | 5 | 4 | 3 | 2 | 1 | 0 |
|------------|---|--------------|-------|-----------------------------|----|----|----|----|----|----|----|----|----|----|----|----|----|----|----|----|----|----|---|---|---|---|---|---|---|---|---|---|
| ID         |   |              |       |                             |    |    |    |    |    |    |    |    |    |    |    |    |    |    |    |    |    |    |   |   |   |   |   |   |   |   |   | A |
| Reset      | 0x00000000  |              |       |                             |    |    |    |    |    |    |    |    |    |    |    |    |    |    |    |    |    |    |   |   |   |   |   |   |   |   |   |   |
|            | 0 |              |       |                             |    |    |    |    |    |    |    |    |    |    |    |    |    |    |    |    |    |    |   |   |   |   |   |   |   |   |   |   |
| ID         | Acce Field  | Value ID     | Value | Description                 |    |    |    |    |    |    |    |    |    |    |    |    |    |    |    |    |    |    |   |   |   |   |   |   |   |   |   |   |
| A          | RW  | EVENTS_ENDRX |       | Receive buffer is filled up |    |    |    |    |    |    |    |    |    |    |    |    |    |    |    |    |    |    |   |   |   |   |   |   |   |   |   |   |
|            |   | NotGenerated | 0     | Event not generated         |    |    |    |    |    |    |    |    |    |    |    |    |    |    |    |    |    |    |   |   |   |   |   |   |   |   |   |   |
|            |   | Generated    | 1     | Event generated             |    |    |    |    |    |    |    |    |    |    |    |    |    |    |    |    |    |    |   |   |   |   |   |   |   |   |   |   |

### 6.34.9.10 EVENTS\_TXDRDY

Address offset: 0x11C

Data sent from TXD

| Bit number | 31  | 30            | 29    | 28                  | 27 | 26 | 25 | 24 | 23 | 22 | 21 | 20 | 19 | 18 | 17 | 16 | 15 | 14 | 13 | 12 | 11 | 10 | 9 | 8 | 7 | 6 | 5 | 4 | 3 | 2 | 1 | 0 |
|------------|---|---------------|-------|---------------------|----|----|----|----|----|----|----|----|----|----|----|----|----|----|----|----|----|----|---|---|---|---|---|---|---|---|---|---|
| ID         |   |               |       |                     |    |    |    |    |    |    |    |    |    |    |    |    |    |    |    |    |    |    |   |   |   |   |   |   |   |   |   | A |
| Reset      | 0x00000000  |               |       |                     |    |    |    |    |    |    |    |    |    |    |    |    |    |    |    |    |    |    |   |   |   |   |   |   |   |   |   |   |
|            | 0 |               |       |                     |    |    |    |    |    |    |    |    |    |    |    |    |    |    |    |    |    |    |   |   |   |   |   |   |   |   |   |   |
| ID         | Acce Field  | Value ID      | Value | Description         |    |    |    |    |    |    |    |    |    |    |    |    |    |    |    |    |    |    |   |   |   |   |   |   |   |   |   |   |
| A          | RW  | EVENTS_TXDRDY |       | Data sent from TXD  |    |    |    |    |    |    |    |    |    |    |    |    |    |    |    |    |    |    |   |   |   |   |   |   |   |   |   |   |
|            |   | NotGenerated  | 0     | Event not generated |    |    |    |    |    |    |    |    |    |    |    |    |    |    |    |    |    |    |   |   |   |   |   |   |   |   |   |   |
|            |   | Generated     | 1     | Event generated     |    |    |    |    |    |    |    |    |    |    |    |    |    |    |    |    |    |    |   |   |   |   |   |   |   |   |   |   |

### 6.34.9.11 EVENTS\_ENDTX

Address offset: 0x120

Last TX byte transmitted

| Bit number | 31  | 30           | 29    | 28                       | 27 | 26 | 25 | 24 | 23 | 22 | 21 | 20 | 19 | 18 | 17 | 16 | 15 | 14 | 13 | 12 | 11 | 10 | 9 | 8 | 7 | 6 | 5 | 4 | 3 | 2 | 1 | 0 |
|------------|---|--------------|-------|--------------------------|----|----|----|----|----|----|----|----|----|----|----|----|----|----|----|----|----|----|---|---|---|---|---|---|---|---|---|---|
| ID         |   |              |       |                          |    |    |    |    |    |    |    |    |    |    |    |    |    |    |    |    |    |    |   |   |   |   |   |   |   |   |   | A |
| Reset      | 0x00000000  |              |       |                          |    |    |    |    |    |    |    |    |    |    |    |    |    |    |    |    |    |    |   |   |   |   |   |   |   |   |   |   |
| Reset      | 0 |              |       |                          |    |    |    |    |    |    |    |    |    |    |    |    |    |    |    |    |    |    |   |   |   |   |   |   |   |   |   |   |
| ID         | Acce Field  | Value ID     | Value | Description              |    |    |    |    |    |    |    |    |    |    |    |    |    |    |    |    |    |    |   |   |   |   |   |   |   |   |   |   |
| A          | RW  | EVENTS_ENDTX |       | Last TX byte transmitted |    |    |    |    |    |    |    |    |    |    |    |    |    |    |    |    |    |    |   |   |   |   |   |   |   |   |   |   |
|            |   | NotGenerated | 0     | Event not generated      |    |    |    |    |    |    |    |    |    |    |    |    |    |    |    |    |    |    |   |   |   |   |   |   |   |   |   |   |
|            |   | Generated    | 1     | Event generated          |    |    |    |    |    |    |    |    |    |    |    |    |    |    |    |    |    |    |   |   |   |   |   |   |   |   |   |   |

### 6.34.9.12 EVENTS\_ERROR

Address offset: 0x124

Error detected

| Bit number | 31  | 30           | 29    | 28                  | 27 | 26 | 25 | 24 | 23 | 22 | 21 | 20 | 19 | 18 | 17 | 16 | 15 | 14 | 13 | 12 | 11 | 10 | 9 | 8 | 7 | 6 | 5 | 4 | 3 | 2 | 1 | 0 |
|------------|---|--------------|-------|---------------------|----|----|----|----|----|----|----|----|----|----|----|----|----|----|----|----|----|----|---|---|---|---|---|---|---|---|---|---|
| ID         |   |              |       |                     |    |    |    |    |    |    |    |    |    |    |    |    |    |    |    |    |    |    |   |   |   |   |   |   |   |   |   | A |
| Reset      | 0x00000000  |              |       |                     |    |    |    |    |    |    |    |    |    |    |    |    |    |    |    |    |    |    |   |   |   |   |   |   |   |   |   |   |
| Reset      | 0 |              |       |                     |    |    |    |    |    |    |    |    |    |    |    |    |    |    |    |    |    |    |   |   |   |   |   |   |   |   |   |   |
| ID         | Acce Field  | Value ID     | Value | Description         |    |    |    |    |    |    |    |    |    |    |    |    |    |    |    |    |    |    |   |   |   |   |   |   |   |   |   |   |
| A          | RW  | EVENTS_ERROR |       | Error detected      |    |    |    |    |    |    |    |    |    |    |    |    |    |    |    |    |    |    |   |   |   |   |   |   |   |   |   |   |
|            |   | NotGenerated | 0     | Event not generated |    |    |    |    |    |    |    |    |    |    |    |    |    |    |    |    |    |    |   |   |   |   |   |   |   |   |   |   |
|            |   | Generated    | 1     | Event generated     |    |    |    |    |    |    |    |    |    |    |    |    |    |    |    |    |    |    |   |   |   |   |   |   |   |   |   |   |

### 6.34.9.13 EVENTS\_RXTO

Address offset: 0x144

Receiver timeout

| Bit number | 31  | 30           | 29    | 28                  | 27 | 26 | 25 | 24 | 23 | 22 | 21 | 20 | 19 | 18 | 17 | 16 | 15 | 14 | 13 | 12 | 11 | 10 | 9 | 8 | 7 | 6 | 5 | 4 | 3 | 2 | 1 | 0 |
|------------|---|--------------|-------|---------------------|----|----|----|----|----|----|----|----|----|----|----|----|----|----|----|----|----|----|---|---|---|---|---|---|---|---|---|---|
| ID         |   |              |       |                     |    |    |    |    |    |    |    |    |    |    |    |    |    |    |    |    |    |    |   |   |   |   |   |   |   |   |   | A |
| Reset      | 0x00000000  |              |       |                     |    |    |    |    |    |    |    |    |    |    |    |    |    |    |    |    |    |    |   |   |   |   |   |   |   |   |   |   |
| Reset      | 0 |              |       |                     |    |    |    |    |    |    |    |    |    |    |    |    |    |    |    |    |    |    |   |   |   |   |   |   |   |   |   |   |
| ID         | Acce Field  | Value ID     | Value | Description         |    |    |    |    |    |    |    |    |    |    |    |    |    |    |    |    |    |    |   |   |   |   |   |   |   |   |   |   |
| A          | RW  | EVENTS_RXTO  |       | Receiver timeout    |    |    |    |    |    |    |    |    |    |    |    |    |    |    |    |    |    |    |   |   |   |   |   |   |   |   |   |   |
|            |   | NotGenerated | 0     | Event not generated |    |    |    |    |    |    |    |    |    |    |    |    |    |    |    |    |    |    |   |   |   |   |   |   |   |   |   |   |
|            |   | Generated    | 1     | Event generated     |    |    |    |    |    |    |    |    |    |    |    |    |    |    |    |    |    |    |   |   |   |   |   |   |   |   |   |   |

### 6.34.9.14 EVENTS\_RXSTARTED

Address offset: 0x14C

UART receiver has started

| Bit number | 31  | 30               | 29    | 28                        | 27 | 26 | 25 | 24 | 23 | 22 | 21 | 20 | 19 | 18 | 17 | 16 | 15 | 14 | 13 | 12 | 11 | 10 | 9 | 8 | 7 | 6 | 5 | 4 | 3 | 2 | 1 | 0 |
|------------|---|------------------|-------|---------------------------|----|----|----|----|----|----|----|----|----|----|----|----|----|----|----|----|----|----|---|---|---|---|---|---|---|---|---|---|
| ID         |   |                  |       |                           |    |    |    |    |    |    |    |    |    |    |    |    |    |    |    |    |    |    |   |   |   |   |   |   |   |   |   | A |
| Reset      | 0x00000000  |                  |       |                           |    |    |    |    |    |    |    |    |    |    |    |    |    |    |    |    |    |    |   |   |   |   |   |   |   |   |   |   |
| Reset      | 0 |                  |       |                           |    |    |    |    |    |    |    |    |    |    |    |    |    |    |    |    |    |    |   |   |   |   |   |   |   |   |   |   |
| ID         | Acce Field  | Value ID         | Value | Description               |    |    |    |    |    |    |    |    |    |    |    |    |    |    |    |    |    |    |   |   |   |   |   |   |   |   |   |   |
| A          | RW  | EVENTS_RXSTARTED |       | UART receiver has started |    |    |    |    |    |    |    |    |    |    |    |    |    |    |    |    |    |    |   |   |   |   |   |   |   |   |   |   |
|            |   | NotGenerated     | 0     | Event not generated       |    |    |    |    |    |    |    |    |    |    |    |    |    |    |    |    |    |    |   |   |   |   |   |   |   |   |   |   |
|            |   | Generated        | 1     | Event generated           |    |    |    |    |    |    |    |    |    |    |    |    |    |    |    |    |    |    |   |   |   |   |   |   |   |   |   |   |

### 6.34.9.15 EVENTS\_TXSTARTED

Address offset: 0x150

UART transmitter has started

| Bit number       | 31  | 30               | 29           | 28                           | 27                  | 26 | 25 | 24 | 23 | 22 | 21 | 20 | 19 | 18 | 17 | 16 | 15 | 14 | 13 | 12 | 11 | 10 | 9 | 8 | 7 | 6 | 5 | 4 | 3 | 2 | 1 | 0 |
|------------------|---|------------------|--------------|------------------------------|---------------------|----|----|----|----|----|----|----|----|----|----|----|----|----|----|----|----|----|---|---|---|---|---|---|---|---|---|---|
| ID               |   |                  |              |                              |                     |    |    |    |    |    |    |    |    |    |    |    |    |    |    |    |    |    |   |   |   |   |   |   |   |   |   | A |
| Reset 0x00000000 | 0 |                  |              |                              |                     |    |    |    |    |    |    |    |    |    |    |    |    |    |    |    |    |    |   |   |   |   |   |   |   |   |   |   |
| ID               | Acce Field  | Value ID         | Value        | Description                  |                     |    |    |    |    |    |    |    |    |    |    |    |    |    |    |    |    |    |   |   |   |   |   |   |   |   |   |   |
| A                | RW  | EVENTS_TXSTARTED |              | UART transmitter has started |                     |    |    |    |    |    |    |    |    |    |    |    |    |    |    |    |    |    |   |   |   |   |   |   |   |   |   |   |
|                  |   |                  | NotGenerated | 0                            | Event not generated |    |    |    |    |    |    |    |    |    |    |    |    |    |    |    |    |    |   |   |   |   |   |   |   |   |   |   |
|                  |   |                  | Generated    | 1                            | Event generated     |    |    |    |    |    |    |    |    |    |    |    |    |    |    |    |    |    |   |   |   |   |   |   |   |   |   |   |

### 6.34.9.16 EVENTS\_TXSTOPPED

Address offset: 0x158

Transmitter stopped

| Bit number       | 31  | 30               | 29           | 28                  | 27                  | 26 | 25 | 24 | 23 | 22 | 21 | 20 | 19 | 18 | 17 | 16 | 15 | 14 | 13 | 12 | 11 | 10 | 9 | 8 | 7 | 6 | 5 | 4 | 3 | 2 | 1 | 0 |
|------------------|---|------------------|--------------|---------------------|---------------------|----|----|----|----|----|----|----|----|----|----|----|----|----|----|----|----|----|---|---|---|---|---|---|---|---|---|---|
| ID               |   |                  |              |                     |                     |    |    |    |    |    |    |    |    |    |    |    |    |    |    |    |    |    |   |   |   |   |   |   |   |   |   | A |
| Reset 0x00000000 | 0 |                  |              |                     |                     |    |    |    |    |    |    |    |    |    |    |    |    |    |    |    |    |    |   |   |   |   |   |   |   |   |   |   |
| ID               | Acce Field  | Value ID         | Value        | Description         |                     |    |    |    |    |    |    |    |    |    |    |    |    |    |    |    |    |    |   |   |   |   |   |   |   |   |   |   |
| A                | RW  | EVENTS_TXSTOPPED |              | Transmitter stopped |                     |    |    |    |    |    |    |    |    |    |    |    |    |    |    |    |    |    |   |   |   |   |   |   |   |   |   |   |
|                  |   |                  | NotGenerated | 0                   | Event not generated |    |    |    |    |    |    |    |    |    |    |    |    |    |    |    |    |    |   |   |   |   |   |   |   |   |   |   |
|                  |   |                  | Generated    | 1                   | Event generated     |    |    |    |    |    |    |    |    |    |    |    |    |    |    |    |    |    |   |   |   |   |   |   |   |   |   |   |

### 6.34.9.17 SHORTS

Address offset: 0x200

Shortcuts between local events and tasks

| Bit number       | 31  | 30            | 29       | 28  | 27               | 26 | 25 | 24 | 23 | 22 | 21 | 20 | 19 | 18 | 17 | 16 | 15 | 14 | 13 | 12 | 11 | 10 | 9 | 8 | 7 | 6 | 5 | 4 | 3 | 2 | 1 | 0 |
|------------------|---|---------------|----------|---|------------------|----|----|----|----|----|----|----|----|----|----|----|----|----|----|----|----|----|---|---|---|---|---|---|---|---|---|---|
| ID               |   |               |          |   |                  |    |    |    |    |    |    |    |    |    |    |    |    |    |    |    |    |    |   |   |   |   |   |   | D | C |   |   |
| Reset 0x00000000 | 0 |               |          |   |                  |    |    |    |    |    |    |    |    |    |    |    |    |    |    |    |    |    |   |   |   |   |   |   |   |   |   |   |
| ID               | Acce Field  | Value ID      | Value    | Description   |                  |    |    |    |    |    |    |    |    |    |    |    |    |    |    |    |    |    |   |   |   |   |   |   |   |   |   |   |
| C                | RW  | ENDRX_STARTRX |          | Shortcut between event <a href="#">ENDRX</a> and task <a href="#">STARTRX</a> |                  |    |    |    |    |    |    |    |    |    |    |    |    |    |    |    |    |    |   |   |   |   |   |   |   |   |   |   |
|                  |   |               | Disabled | 0   | Disable shortcut |    |    |    |    |    |    |    |    |    |    |    |    |    |    |    |    |    |   |   |   |   |   |   |   |   |   |   |
|                  |   |               | Enabled  | 1   | Enable shortcut  |    |    |    |    |    |    |    |    |    |    |    |    |    |    |    |    |    |   |   |   |   |   |   |   |   |   |   |
| D                | RW  | ENDRX_STOPRX  |          | Shortcut between event <a href="#">ENDRX</a> and task <a href="#">STOPRX</a>  |                  |    |    |    |    |    |    |    |    |    |    |    |    |    |    |    |    |    |   |   |   |   |   |   |   |   |   |   |
|                  |   |               | Disabled | 0   | Disable shortcut |    |    |    |    |    |    |    |    |    |    |    |    |    |    |    |    |    |   |   |   |   |   |   |   |   |   |   |
|                  |   |               | Enabled  | 1   | Enable shortcut  |    |    |    |    |    |    |    |    |    |    |    |    |    |    |    |    |    |   |   |   |   |   |   |   |   |   |   |

### 6.34.9.18 INTEN

Address offset: 0x300

Enable or disable interrupt

| Bit number       | 31  | 30       | 29       | 28   | 27      | 26 | 25 | 24 | 23 | 22 | 21 | 20 | 19 | 18 | 17 | 16 | 15 | 14 | 13 | 12 | 11 | 10 | 9 | 8 | 7 | 6 | 5 | 4 | 3 | 2 | 1 | 0 |
|------------------|---|----------|----------|--|---------|----|----|----|----|----|----|----|----|----|----|----|----|----|----|----|----|----|---|---|---|---|---|---|---|---|---|---|
| ID               |   |          |          |  |         |    |    |    |    |    | L  | J  | I  | H  |    |    |    |    |    |    |    |    |   |   | G | F | E | D | C | B | A |   |
| Reset 0x00000000 | 0 |          |          |  |         |    |    |    |    |    |    |    |    |    |    |    |    |    |    |    |    |    |   |   |   |   |   |   |   |   |   |   |
| ID               | Acce Field  | Value ID | Value    | Description  |         |    |    |    |    |    |    |    |    |    |    |    |    |    |    |    |    |    |   |   |   |   |   |   |   |   |   |   |
| A                | RW  | CTS      |          | Enable or disable interrupt for event <a href="#">CTS</a>  |         |    |    |    |    |    |    |    |    |    |    |    |    |    |    |    |    |    |   |   |   |   |   |   |   |   |   |   |
|                  |   |          | Disabled | 0  | Disable |    |    |    |    |    |    |    |    |    |    |    |    |    |    |    |    |    |   |   |   |   |   |   |   |   |   |   |
|                  |   |          | Enabled  | 1  | Enable  |    |    |    |    |    |    |    |    |    |    |    |    |    |    |    |    |    |   |   |   |   |   |   |   |   |   |   |
| B                | RW  | NCTS     |          | Enable or disable interrupt for event <a href="#">NCTS</a> |         |    |    |    |    |    |    |    |    |    |    |    |    |    |    |    |    |    |   |   |   |   |   |   |   |   |   |   |
|                  |   |          | Disabled | 0  | Disable |    |    |    |    |    |    |    |    |    |    |    |    |    |    |    |    |    |   |   |   |   |   |   |   |   |   |   |
|                  |   |          | Enabled  | 1  | Enable  |    |    |    |    |    |    |    |    |    |    |    |    |    |    |    |    |    |   |   |   |   |   |   |   |   |   |   |



| Bit number       | 31 30 29 28 27 26 25 24 23 22 21 20 19 18 17 16 15 14 13 12 11 10 9 8 7 6 5 4 3 2 1 0 |          |       |             |  |  |  |  |  |  |  |  |  |  |  |               |  |  |  |  |  |  |  |  |  |  |  |  |  |  |  |
|------------------|---|----------|-------|-------------|--|--|--|--|--|--|--|--|--|--|--|---------------|--|--|--|--|--|--|--|--|--|--|--|--|--|--|--|
| ID               | L J I H   |          |       |             |  |  |  |  |  |  |  |  |  |  |  | G F E D C B A |  |  |  |  |  |  |  |  |  |  |  |  |  |  |  |
| Reset 0x00000000 | 0           |          |       |             |  |  |  |  |  |  |  |  |  |  |  |               |  |  |  |  |  |  |  |  |  |  |  |  |  |  |  |
| ID               | Acce Field  | Value ID | Value | Description |  |  |  |  |  |  |  |  |  |  |  |               |  |  |  |  |  |  |  |  |  |  |  |  |  |  |  |
| C                | RW RXDRDY   | Disabled | 0     | Disable     |  |  |  |  |  |  |  |  |  |  |  |               |  |  |  |  |  |  |  |  |  |  |  |  |  |  |  |
|                  |   | Enabled  | 1     | Enable      |  |  |  |  |  |  |  |  |  |  |  |               |  |  |  |  |  |  |  |  |  |  |  |  |  |  |  |
| D                | RW ENDRX  | Disabled | 0     | Disable     |  |  |  |  |  |  |  |  |  |  |  |               |  |  |  |  |  |  |  |  |  |  |  |  |  |  |  |
|                  |   | Enabled  | 1     | Enable      |  |  |  |  |  |  |  |  |  |  |  |               |  |  |  |  |  |  |  |  |  |  |  |  |  |  |  |
| E                | RW TXDRDY   | Disabled | 0     | Disable     |  |  |  |  |  |  |  |  |  |  |  |               |  |  |  |  |  |  |  |  |  |  |  |  |  |  |  |
|                  |   | Enabled  | 1     | Enable      |  |  |  |  |  |  |  |  |  |  |  |               |  |  |  |  |  |  |  |  |  |  |  |  |  |  |  |
| F                | RW ENDTX  | Disabled | 0     | Disable     |  |  |  |  |  |  |  |  |  |  |  |               |  |  |  |  |  |  |  |  |  |  |  |  |  |  |  |
|                  |   | Enabled  | 1     | Enable      |  |  |  |  |  |  |  |  |  |  |  |               |  |  |  |  |  |  |  |  |  |  |  |  |  |  |  |
| G                | RW ERROR  | Disabled | 0     | Disable     |  |  |  |  |  |  |  |  |  |  |  |               |  |  |  |  |  |  |  |  |  |  |  |  |  |  |  |
|                  |   | Enabled  | 1     | Enable      |  |  |  |  |  |  |  |  |  |  |  |               |  |  |  |  |  |  |  |  |  |  |  |  |  |  |  |
| H                | RW RXTO   | Disabled | 0     | Disable     |  |  |  |  |  |  |  |  |  |  |  |               |  |  |  |  |  |  |  |  |  |  |  |  |  |  |  |
|                  |   | Enabled  | 1     | Enable      |  |  |  |  |  |  |  |  |  |  |  |               |  |  |  |  |  |  |  |  |  |  |  |  |  |  |  |
| I                | RW RXSTARTED  | Disabled | 0     | Disable     |  |  |  |  |  |  |  |  |  |  |  |               |  |  |  |  |  |  |  |  |  |  |  |  |  |  |  |
|                  |   | Enabled  | 1     | Enable      |  |  |  |  |  |  |  |  |  |  |  |               |  |  |  |  |  |  |  |  |  |  |  |  |  |  |  |
| J                | RW TXSTARTED  | Disabled | 0     | Disable     |  |  |  |  |  |  |  |  |  |  |  |               |  |  |  |  |  |  |  |  |  |  |  |  |  |  |  |
|                  |   | Enabled  | 1     | Enable      |  |  |  |  |  |  |  |  |  |  |  |               |  |  |  |  |  |  |  |  |  |  |  |  |  |  |  |
| L                | RW TXSTOPPED  | Disabled | 0     | Disable     |  |  |  |  |  |  |  |  |  |  |  |               |  |  |  |  |  |  |  |  |  |  |  |  |  |  |  |
|                  |   | Enabled  | 1     | Enable      |  |  |  |  |  |  |  |  |  |  |  |               |  |  |  |  |  |  |  |  |  |  |  |  |  |  |  |

### 6.34.9.19 INTENSET

Address offset: 0x304

Enable interrupt

| Bit number       | 31 30 29 28 27 26 25 24 23 22 21 20 19 18 17 16 15 14 13 12 11 10 9 8 7 6 5 4 3 2 1 0 |          |       |  |  |  |  |  |  |  |  |  |  |  |  |               |  |  |  |  |  |  |  |  |  |  |  |  |  |  |  |
|------------------|---|----------|-------|--|--|--|--|--|--|--|--|--|--|--|--|---------------|--|--|--|--|--|--|--|--|--|--|--|--|--|--|--|
| ID               | L J I H   |          |       |  |  |  |  |  |  |  |  |  |  |  |  | G F E D C B A |  |  |  |  |  |  |  |  |  |  |  |  |  |  |  |
| Reset 0x00000000 | 0           |          |       |  |  |  |  |  |  |  |  |  |  |  |  |               |  |  |  |  |  |  |  |  |  |  |  |  |  |  |  |
| ID               | Acce Field  | Value ID | Value | Description                                    |  |  |  |  |  |  |  |  |  |  |  |               |  |  |  |  |  |  |  |  |  |  |  |  |  |  |  |
| A                | RW CTS  | Set      | 1     | Write '1' to enable interrupt for event CTS    |  |  |  |  |  |  |  |  |  |  |  |               |  |  |  |  |  |  |  |  |  |  |  |  |  |  |  |
|                  |   | Disabled | 0     | Enable   |  |  |  |  |  |  |  |  |  |  |  |               |  |  |  |  |  |  |  |  |  |  |  |  |  |  |  |
|                  |   | Enabled  | 1     | Read: Disabled                                 |  |  |  |  |  |  |  |  |  |  |  |               |  |  |  |  |  |  |  |  |  |  |  |  |  |  |  |
| B                | RW NCTS   | Set      | 1     | Write '1' to enable interrupt for event NCTS   |  |  |  |  |  |  |  |  |  |  |  |               |  |  |  |  |  |  |  |  |  |  |  |  |  |  |  |
|                  |   | Disabled | 0     | Enable   |  |  |  |  |  |  |  |  |  |  |  |               |  |  |  |  |  |  |  |  |  |  |  |  |  |  |  |
|                  |   | Enabled  | 1     | Read: Disabled                                 |  |  |  |  |  |  |  |  |  |  |  |               |  |  |  |  |  |  |  |  |  |  |  |  |  |  |  |
| C                | RW RXDRDY   | Set      | 1     | Write '1' to enable interrupt for event RXDRDY |  |  |  |  |  |  |  |  |  |  |  |               |  |  |  |  |  |  |  |  |  |  |  |  |  |  |  |
|                  |   | Disabled | 0     | Enable   |  |  |  |  |  |  |  |  |  |  |  |               |  |  |  |  |  |  |  |  |  |  |  |  |  |  |  |
|                  |   | Enabled  | 1     | Read: Disabled                                 |  |  |  |  |  |  |  |  |  |  |  |               |  |  |  |  |  |  |  |  |  |  |  |  |  |  |  |

| Bit number       | 31 30 29 28 27 26 25 24 23 22 21 20 19 18 17 16 15 14 13 12 11 10 9 8 7 6 5 4 3 2 1 0 |          |       |   |  |  |  |  |  |  |  |  |  |  |  |  |               |  |  |  |  |  |  |  |  |  |  |  |  |  |  |
|------------------|---|----------|-------|---|--|--|--|--|--|--|--|--|--|--|--|--|---------------|--|--|--|--|--|--|--|--|--|--|--|--|--|--|
| ID               | L J I H   |          |       |   |  |  |  |  |  |  |  |  |  |  |  |  | G F E D C B A |  |  |  |  |  |  |  |  |  |  |  |  |  |  |
| Reset 0x00000000 | 0           |          |       |   |  |  |  |  |  |  |  |  |  |  |  |  |               |  |  |  |  |  |  |  |  |  |  |  |  |  |  |
| ID               | Acce Field  | Value ID | Value | Description   |  |  |  |  |  |  |  |  |  |  |  |  |               |  |  |  |  |  |  |  |  |  |  |  |  |  |  |
| D                | RW ENDRX  |          |       | Write '1' to enable interrupt for event <a href="#">ENDRX</a> |  |  |  |  |  |  |  |  |  |  |  |  |               |  |  |  |  |  |  |  |  |  |  |  |  |  |  |
|                  |   | Set      | 1     | Enable  |  |  |  |  |  |  |  |  |  |  |  |  |               |  |  |  |  |  |  |  |  |  |  |  |  |  |  |
|                  |   | Disabled | 0     | Read: Disabled  |  |  |  |  |  |  |  |  |  |  |  |  |               |  |  |  |  |  |  |  |  |  |  |  |  |  |  |
| E                | RW TXDRDY   | Enabled  | 1     | Read: Enabled   |  |  |  |  |  |  |  |  |  |  |  |  |               |  |  |  |  |  |  |  |  |  |  |  |  |  |  |
|                  |   | Set      | 1     | Enable  |  |  |  |  |  |  |  |  |  |  |  |  |               |  |  |  |  |  |  |  |  |  |  |  |  |  |  |
|                  |   | Disabled | 0     | Read: Disabled  |  |  |  |  |  |  |  |  |  |  |  |  |               |  |  |  |  |  |  |  |  |  |  |  |  |  |  |
| F                | RW ENDTX  | Enabled  | 1     | Read: Enabled   |  |  |  |  |  |  |  |  |  |  |  |  |               |  |  |  |  |  |  |  |  |  |  |  |  |  |  |
|                  |   | Set      | 1     | Enable  |  |  |  |  |  |  |  |  |  |  |  |  |               |  |  |  |  |  |  |  |  |  |  |  |  |  |  |
|                  |   | Disabled | 0     | Read: Disabled  |  |  |  |  |  |  |  |  |  |  |  |  |               |  |  |  |  |  |  |  |  |  |  |  |  |  |  |
| G                | RW ERROR  | Enabled  | 1     | Read: Enabled   |  |  |  |  |  |  |  |  |  |  |  |  |               |  |  |  |  |  |  |  |  |  |  |  |  |  |  |
|                  |   | Set      | 1     | Enable  |  |  |  |  |  |  |  |  |  |  |  |  |               |  |  |  |  |  |  |  |  |  |  |  |  |  |  |
|                  |   | Disabled | 0     | Read: Disabled  |  |  |  |  |  |  |  |  |  |  |  |  |               |  |  |  |  |  |  |  |  |  |  |  |  |  |  |
| H                | RW RXTO   | Enabled  | 1     | Read: Enabled   |  |  |  |  |  |  |  |  |  |  |  |  |               |  |  |  |  |  |  |  |  |  |  |  |  |  |  |
|                  |   | Set      | 1     | Enable  |  |  |  |  |  |  |  |  |  |  |  |  |               |  |  |  |  |  |  |  |  |  |  |  |  |  |  |
|                  |   | Disabled | 0     | Read: Disabled  |  |  |  |  |  |  |  |  |  |  |  |  |               |  |  |  |  |  |  |  |  |  |  |  |  |  |  |
| I                | RW RXSTARTED  | Enabled  | 1     | Read: Enabled   |  |  |  |  |  |  |  |  |  |  |  |  |               |  |  |  |  |  |  |  |  |  |  |  |  |  |  |
|                  |   | Set      | 1     | Enable  |  |  |  |  |  |  |  |  |  |  |  |  |               |  |  |  |  |  |  |  |  |  |  |  |  |  |  |
|                  |   | Disabled | 0     | Read: Disabled  |  |  |  |  |  |  |  |  |  |  |  |  |               |  |  |  |  |  |  |  |  |  |  |  |  |  |  |
| J                | RW TXSTARTED  | Enabled  | 1     | Read: Enabled   |  |  |  |  |  |  |  |  |  |  |  |  |               |  |  |  |  |  |  |  |  |  |  |  |  |  |  |
|                  |   | Set      | 1     | Enable  |  |  |  |  |  |  |  |  |  |  |  |  |               |  |  |  |  |  |  |  |  |  |  |  |  |  |  |
|                  |   | Disabled | 0     | Read: Disabled  |  |  |  |  |  |  |  |  |  |  |  |  |               |  |  |  |  |  |  |  |  |  |  |  |  |  |  |
| L                | RW TXSTOPPED  | Enabled  | 1     | Read: Enabled   |  |  |  |  |  |  |  |  |  |  |  |  |               |  |  |  |  |  |  |  |  |  |  |  |  |  |  |
|                  |   | Set      | 1     | Enable  |  |  |  |  |  |  |  |  |  |  |  |  |               |  |  |  |  |  |  |  |  |  |  |  |  |  |  |
|                  |   | Disabled | 0     | Read: Disabled  |  |  |  |  |  |  |  |  |  |  |  |  |               |  |  |  |  |  |  |  |  |  |  |  |  |  |  |

### 6.34.9.20 INTENCLR

Address offset: 0x308

Disable interrupt

| Bit number       | 31 30 29 28 27 26 25 24 23 22 21 20 19 18 17 16 15 14 13 12 11 10 9 8 7 6 5 4 3 2 1 0 |          |       |  |  |  |  |  |  |  |  |  |  |  |  |  |               |  |  |  |  |  |  |  |  |  |  |  |  |  |  |
|------------------|---|----------|-------|--|--|--|--|--|--|--|--|--|--|--|--|--|---------------|--|--|--|--|--|--|--|--|--|--|--|--|--|--|
| ID               | L J I H   |          |       |  |  |  |  |  |  |  |  |  |  |  |  |  | G F E D C B A |  |  |  |  |  |  |  |  |  |  |  |  |  |  |
| Reset 0x00000000 | 0           |          |       |  |  |  |  |  |  |  |  |  |  |  |  |  |               |  |  |  |  |  |  |  |  |  |  |  |  |  |  |
| ID               | Acce Field  | Value ID | Value | Description  |  |  |  |  |  |  |  |  |  |  |  |  |               |  |  |  |  |  |  |  |  |  |  |  |  |  |  |
| A                | RW CTS  |          |       | Write '1' to disable interrupt for event <a href="#">CTS</a> |  |  |  |  |  |  |  |  |  |  |  |  |               |  |  |  |  |  |  |  |  |  |  |  |  |  |  |
|                  |   | Clear    | 1     | Disable  |  |  |  |  |  |  |  |  |  |  |  |  |               |  |  |  |  |  |  |  |  |  |  |  |  |  |  |
|                  |   | Disabled | 0     | Read: Disabled   |  |  |  |  |  |  |  |  |  |  |  |  |               |  |  |  |  |  |  |  |  |  |  |  |  |  |  |
| B                | RW NCTS   | Enabled  | 1     | Read: Enabled  |  |  |  |  |  |  |  |  |  |  |  |  |               |  |  |  |  |  |  |  |  |  |  |  |  |  |  |
|                  |   | Clear    | 1     | Disable  |  |  |  |  |  |  |  |  |  |  |  |  |               |  |  |  |  |  |  |  |  |  |  |  |  |  |  |
|                  |   | Disabled | 0     | Read: Disabled   |  |  |  |  |  |  |  |  |  |  |  |  |               |  |  |  |  |  |  |  |  |  |  |  |  |  |  |

| Bit number       |              | 31 30 29 28 27 26 25 24 23 22 21 20 19 18 17 16 15 14 13 12 11 10 9 8 7 6 5 4 3 2 1 0 |       |  |  |  |  |  |  |  |  |  |  |  |  |  |  |               |  |  |  |  |  |  |  |  |  |  |  |
|------------------|--------------|---|-------|--|--|--|--|--|--|--|--|--|--|--|--|--|--|---------------|--|--|--|--|--|--|--|--|--|--|--|
| ID               |              | L J I H   |       |  |  |  |  |  |  |  |  |  |  |  |  |  |  | G F E D C B A |  |  |  |  |  |  |  |  |  |  |  |
| Reset 0x00000000 |              | 0                       |       |  |  |  |  |  |  |  |  |  |  |  |  |  |  |               |  |  |  |  |  |  |  |  |  |  |  |
| ID               | Acce Field   | Value ID  | Value | Description  |  |  |  |  |  |  |  |  |  |  |  |  |  |               |  |  |  |  |  |  |  |  |  |  |  |
|                  |              | Enabled   | 1     | Read: Enabled  |  |  |  |  |  |  |  |  |  |  |  |  |  |               |  |  |  |  |  |  |  |  |  |  |  |
| C                | RW RXDRDY    |   |       | Write '1' to disable interrupt for event <a href="#">RXDRDY</a>    |  |  |  |  |  |  |  |  |  |  |  |  |  |               |  |  |  |  |  |  |  |  |  |  |  |
|                  |              | Clear   | 1     | Disable  |  |  |  |  |  |  |  |  |  |  |  |  |  |               |  |  |  |  |  |  |  |  |  |  |  |
|                  |              | Disabled  | 0     | Read: Disabled   |  |  |  |  |  |  |  |  |  |  |  |  |  |               |  |  |  |  |  |  |  |  |  |  |  |
|                  |              | Enabled   | 1     | Read: Enabled  |  |  |  |  |  |  |  |  |  |  |  |  |  |               |  |  |  |  |  |  |  |  |  |  |  |
| D                | RW ENDRX     |   |       | Write '1' to disable interrupt for event <a href="#">ENDRX</a>     |  |  |  |  |  |  |  |  |  |  |  |  |  |               |  |  |  |  |  |  |  |  |  |  |  |
|                  |              | Clear   | 1     | Disable  |  |  |  |  |  |  |  |  |  |  |  |  |  |               |  |  |  |  |  |  |  |  |  |  |  |
|                  |              | Disabled  | 0     | Read: Disabled   |  |  |  |  |  |  |  |  |  |  |  |  |  |               |  |  |  |  |  |  |  |  |  |  |  |
|                  |              | Enabled   | 1     | Read: Enabled  |  |  |  |  |  |  |  |  |  |  |  |  |  |               |  |  |  |  |  |  |  |  |  |  |  |
| E                | RW TXDRDY    |   |       | Write '1' to disable interrupt for event <a href="#">TXDRDY</a>    |  |  |  |  |  |  |  |  |  |  |  |  |  |               |  |  |  |  |  |  |  |  |  |  |  |
|                  |              | Clear   | 1     | Disable  |  |  |  |  |  |  |  |  |  |  |  |  |  |               |  |  |  |  |  |  |  |  |  |  |  |
|                  |              | Disabled  | 0     | Read: Disabled   |  |  |  |  |  |  |  |  |  |  |  |  |  |               |  |  |  |  |  |  |  |  |  |  |  |
|                  |              | Enabled   | 1     | Read: Enabled  |  |  |  |  |  |  |  |  |  |  |  |  |  |               |  |  |  |  |  |  |  |  |  |  |  |
| F                | RW ENDTX     |   |       | Write '1' to disable interrupt for event <a href="#">ENDTX</a>     |  |  |  |  |  |  |  |  |  |  |  |  |  |               |  |  |  |  |  |  |  |  |  |  |  |
|                  |              | Clear   | 1     | Disable  |  |  |  |  |  |  |  |  |  |  |  |  |  |               |  |  |  |  |  |  |  |  |  |  |  |
|                  |              | Disabled  | 0     | Read: Disabled   |  |  |  |  |  |  |  |  |  |  |  |  |  |               |  |  |  |  |  |  |  |  |  |  |  |
|                  |              | Enabled   | 1     | Read: Enabled  |  |  |  |  |  |  |  |  |  |  |  |  |  |               |  |  |  |  |  |  |  |  |  |  |  |
| G                | RW ERROR     |   |       | Write '1' to disable interrupt for event <a href="#">ERROR</a>     |  |  |  |  |  |  |  |  |  |  |  |  |  |               |  |  |  |  |  |  |  |  |  |  |  |
|                  |              | Clear   | 1     | Disable  |  |  |  |  |  |  |  |  |  |  |  |  |  |               |  |  |  |  |  |  |  |  |  |  |  |
|                  |              | Disabled  | 0     | Read: Disabled   |  |  |  |  |  |  |  |  |  |  |  |  |  |               |  |  |  |  |  |  |  |  |  |  |  |
|                  |              | Enabled   | 1     | Read: Enabled  |  |  |  |  |  |  |  |  |  |  |  |  |  |               |  |  |  |  |  |  |  |  |  |  |  |
| H                | RW RXTO      |   |       | Write '1' to disable interrupt for event <a href="#">RXTO</a>      |  |  |  |  |  |  |  |  |  |  |  |  |  |               |  |  |  |  |  |  |  |  |  |  |  |
|                  |              | Clear   | 1     | Disable  |  |  |  |  |  |  |  |  |  |  |  |  |  |               |  |  |  |  |  |  |  |  |  |  |  |
|                  |              | Disabled  | 0     | Read: Disabled   |  |  |  |  |  |  |  |  |  |  |  |  |  |               |  |  |  |  |  |  |  |  |  |  |  |
|                  |              | Enabled   | 1     | Read: Enabled  |  |  |  |  |  |  |  |  |  |  |  |  |  |               |  |  |  |  |  |  |  |  |  |  |  |
| I                | RW RXSTARTED |   |       | Write '1' to disable interrupt for event <a href="#">RXSTARTED</a> |  |  |  |  |  |  |  |  |  |  |  |  |  |               |  |  |  |  |  |  |  |  |  |  |  |
|                  |              | Clear   | 1     | Disable  |  |  |  |  |  |  |  |  |  |  |  |  |  |               |  |  |  |  |  |  |  |  |  |  |  |
|                  |              | Disabled  | 0     | Read: Disabled   |  |  |  |  |  |  |  |  |  |  |  |  |  |               |  |  |  |  |  |  |  |  |  |  |  |
|                  |              | Enabled   | 1     | Read: Enabled  |  |  |  |  |  |  |  |  |  |  |  |  |  |               |  |  |  |  |  |  |  |  |  |  |  |
| J                | RW TXSTARTED |   |       | Write '1' to disable interrupt for event <a href="#">TXSTARTED</a> |  |  |  |  |  |  |  |  |  |  |  |  |  |               |  |  |  |  |  |  |  |  |  |  |  |
|                  |              | Clear   | 1     | Disable  |  |  |  |  |  |  |  |  |  |  |  |  |  |               |  |  |  |  |  |  |  |  |  |  |  |
|                  |              | Disabled  | 0     | Read: Disabled   |  |  |  |  |  |  |  |  |  |  |  |  |  |               |  |  |  |  |  |  |  |  |  |  |  |
|                  |              | Enabled   | 1     | Read: Enabled  |  |  |  |  |  |  |  |  |  |  |  |  |  |               |  |  |  |  |  |  |  |  |  |  |  |
| L                | RW TXSTOPPED |   |       | Write '1' to disable interrupt for event <a href="#">TXSTOPPED</a> |  |  |  |  |  |  |  |  |  |  |  |  |  |               |  |  |  |  |  |  |  |  |  |  |  |
|                  |              | Clear   | 1     | Disable  |  |  |  |  |  |  |  |  |  |  |  |  |  |               |  |  |  |  |  |  |  |  |  |  |  |
|                  |              | Disabled  | 0     | Read: Disabled   |  |  |  |  |  |  |  |  |  |  |  |  |  |               |  |  |  |  |  |  |  |  |  |  |  |
|                  |              | Enabled   | 1     | Read: Enabled  |  |  |  |  |  |  |  |  |  |  |  |  |  |               |  |  |  |  |  |  |  |  |  |  |  |

### 6.34.9.21 ERRORSRC

Address offset: 0x480

Error source

This register is read/write one to clear.

| Bit number       | 31 30 29 28 27 26 25 24 23 22 21 20 19 18 17 16 15 14 13 12 11 10 9 8 7 6 5 4 3 2 1 0 |          |            |  |                         |  |  |  |  |  |  |  |  |  |  |  |  |  |  |  |  |  |  |  |  |  |  |  |  |  |  |
|------------------|---|----------|------------|--|-------------------------|--|--|--|--|--|--|--|--|--|--|--|--|--|--|--|--|--|--|--|--|--|--|--|--|--|--|
| ID               | D C B A   |          |            |  |                         |  |  |  |  |  |  |  |  |  |  |  |  |  |  |  |  |  |  |  |  |  |  |  |  |  |  |
| Reset 0x00000000 | 0           |          |            |  |                         |  |  |  |  |  |  |  |  |  |  |  |  |  |  |  |  |  |  |  |  |  |  |  |  |  |  |
| ID               | Acce Field  | Value ID | Value      | Description  |                         |  |  |  |  |  |  |  |  |  |  |  |  |  |  |  |  |  |  |  |  |  |  |  |  |  |  |
| A                | RW  | OVERRUN  |            | Overrun error  |                         |  |  |  |  |  |  |  |  |  |  |  |  |  |  |  |  |  |  |  |  |  |  |  |  |  |  |
|                  |   |          |            | A start bit is received while the previous data still lies in RXD. (Previous data is lost.)  |                         |  |  |  |  |  |  |  |  |  |  |  |  |  |  |  |  |  |  |  |  |  |  |  |  |  |  |
|                  |   |          | NotPresent | 0  | Read: error not present |  |  |  |  |  |  |  |  |  |  |  |  |  |  |  |  |  |  |  |  |  |  |  |  |  |  |
|                  |   | Present  | 1          | Read: error present  |                         |  |  |  |  |  |  |  |  |  |  |  |  |  |  |  |  |  |  |  |  |  |  |  |  |  |  |
| B                | RW  | PARITY   |            | Parity error   |                         |  |  |  |  |  |  |  |  |  |  |  |  |  |  |  |  |  |  |  |  |  |  |  |  |  |  |
|                  |   |          |            | A character with bad parity is received, if HW parity check is enabled.  |                         |  |  |  |  |  |  |  |  |  |  |  |  |  |  |  |  |  |  |  |  |  |  |  |  |  |  |
|                  |   |          | NotPresent | 0  | Read: error not present |  |  |  |  |  |  |  |  |  |  |  |  |  |  |  |  |  |  |  |  |  |  |  |  |  |  |
|                  |   | Present  | 1          | Read: error present  |                         |  |  |  |  |  |  |  |  |  |  |  |  |  |  |  |  |  |  |  |  |  |  |  |  |  |  |
| C                | RW  | FRAMING  |            | Framing error occurred   |                         |  |  |  |  |  |  |  |  |  |  |  |  |  |  |  |  |  |  |  |  |  |  |  |  |  |  |
|                  |   |          |            | A valid stop bit is not detected on the serial data input after all bits in a character have been received.  |                         |  |  |  |  |  |  |  |  |  |  |  |  |  |  |  |  |  |  |  |  |  |  |  |  |  |  |
|                  |   |          | NotPresent | 0  | Read: error not present |  |  |  |  |  |  |  |  |  |  |  |  |  |  |  |  |  |  |  |  |  |  |  |  |  |  |
|                  |   | Present  | 1          | Read: error present  |                         |  |  |  |  |  |  |  |  |  |  |  |  |  |  |  |  |  |  |  |  |  |  |  |  |  |  |
| D                | RW  | BREAK    |            | Break condition  |                         |  |  |  |  |  |  |  |  |  |  |  |  |  |  |  |  |  |  |  |  |  |  |  |  |  |  |
|                  |   |          |            | The serial data input is '0' for longer than the length of a data frame. (The data frame length is 10 bits without parity bit, and 11 bits with parity bit). |                         |  |  |  |  |  |  |  |  |  |  |  |  |  |  |  |  |  |  |  |  |  |  |  |  |  |  |
|                  |   |          | NotPresent | 0  | Read: error not present |  |  |  |  |  |  |  |  |  |  |  |  |  |  |  |  |  |  |  |  |  |  |  |  |  |  |
|                  |   | Present  | 1          | Read: error present  |                         |  |  |  |  |  |  |  |  |  |  |  |  |  |  |  |  |  |  |  |  |  |  |  |  |  |  |

### 6.34.9.22 ENABLE

Address offset: 0x500

Enable UART

| Bit number       | 31 30 29 28 27 26 25 24 23 22 21 20 19 18 17 16 15 14 13 12 11 10 9 8 7 6 5 4 3 2 1 0 |          |          |                         |               |  |  |  |  |  |  |  |  |  |  |  |  |  |  |  |  |  |  |  |  |  |  |  |  |  |  |
|------------------|---|----------|----------|-------------------------|---------------|--|--|--|--|--|--|--|--|--|--|--|--|--|--|--|--|--|--|--|--|--|--|--|--|--|--|
| ID               | A A A A   |          |          |                         |               |  |  |  |  |  |  |  |  |  |  |  |  |  |  |  |  |  |  |  |  |  |  |  |  |  |  |
| Reset 0x00000000 | 0           |          |          |                         |               |  |  |  |  |  |  |  |  |  |  |  |  |  |  |  |  |  |  |  |  |  |  |  |  |  |  |
| ID               | Acce Field  | Value ID | Value    | Description             |               |  |  |  |  |  |  |  |  |  |  |  |  |  |  |  |  |  |  |  |  |  |  |  |  |  |  |
| A                | RW  | ENABLE   |          | Enable or disable UARTE |               |  |  |  |  |  |  |  |  |  |  |  |  |  |  |  |  |  |  |  |  |  |  |  |  |  |  |
|                  |   |          | Disabled | 0                       | Disable UARTE |  |  |  |  |  |  |  |  |  |  |  |  |  |  |  |  |  |  |  |  |  |  |  |  |  |  |
|                  |   |          | Enabled  | 8                       | Enable UARTE  |  |  |  |  |  |  |  |  |  |  |  |  |  |  |  |  |  |  |  |  |  |  |  |  |  |  |

### 6.34.9.23 PSEL.RTS

Address offset: 0x508

Pin select for RTS signal

| Bit number       | 31 30 29 28 27 26 25 24 23 22 21 20 19 18 17 16 15 14 13 12 11 10 9 8 7 6 5 4 3 2 1 0 |              |         |             |  |  |  |  |  |  |  |  |  |  |  |  |  |  |  |  |  |  |  |  |  |  |  |   |  |  |  |   |   |   |   |
|------------------|---|--------------|---------|-------------|--|--|--|--|--|--|--|--|--|--|--|--|--|--|--|--|--|--|--|--|--|--|--|---|--|--|--|---|---|---|---|
| ID               | C   |              |         |             |  |  |  |  |  |  |  |  |  |  |  |  |  |  |  |  |  |  |  |  |  |  |  | B |  |  |  | A | A | A | A |
| Reset 0xFFFFFFFF | 1                       |              |         |             |  |  |  |  |  |  |  |  |  |  |  |  |  |  |  |  |  |  |  |  |  |  |  |   |  |  |  |   |   |   |   |
| ID               | Acce Field  | Value ID     | Value   | Description |  |  |  |  |  |  |  |  |  |  |  |  |  |  |  |  |  |  |  |  |  |  |  |   |  |  |  |   |   |   |   |
| A                | RW PIN  |              | [0..31] | Pin number  |  |  |  |  |  |  |  |  |  |  |  |  |  |  |  |  |  |  |  |  |  |  |  |   |  |  |  |   |   |   |   |
| B                | RW PORT   |              | [0..1]  | Port number |  |  |  |  |  |  |  |  |  |  |  |  |  |  |  |  |  |  |  |  |  |  |  |   |  |  |  |   |   |   |   |
| C                | RW CONNECT  | Disconnected | 1       | Disconnect  |  |  |  |  |  |  |  |  |  |  |  |  |  |  |  |  |  |  |  |  |  |  |  |   |  |  |  |   |   |   |   |
|                  |   | Connected    | 0       | Connect     |  |  |  |  |  |  |  |  |  |  |  |  |  |  |  |  |  |  |  |  |  |  |  |   |  |  |  |   |   |   |   |

### 6.34.9.24 PSEL.TXD

Address offset: 0x50C

Pin select for TXD signal

| Bit number       | 31 30 29 28 27 26 25 24 23 22 21 20 19 18 17 16 15 14 13 12 11 10 9 8 7 6 5 4 3 2 1 0 |              |         |             |  |  |  |  |  |  |  |  |  |  |  |  |  |  |  |  |  |  |  |  |  |  |  |   |  |  |  |   |   |   |   |
|------------------|---|--------------|---------|-------------|--|--|--|--|--|--|--|--|--|--|--|--|--|--|--|--|--|--|--|--|--|--|--|---|--|--|--|---|---|---|---|
| ID               | C   |              |         |             |  |  |  |  |  |  |  |  |  |  |  |  |  |  |  |  |  |  |  |  |  |  |  | B |  |  |  | A | A | A | A |
| Reset 0xFFFFFFFF | 1                       |              |         |             |  |  |  |  |  |  |  |  |  |  |  |  |  |  |  |  |  |  |  |  |  |  |  |   |  |  |  |   |   |   |   |
| ID               | Acce Field  | Value ID     | Value   | Description |  |  |  |  |  |  |  |  |  |  |  |  |  |  |  |  |  |  |  |  |  |  |  |   |  |  |  |   |   |   |   |
| A                | RW PIN  |              | [0..31] | Pin number  |  |  |  |  |  |  |  |  |  |  |  |  |  |  |  |  |  |  |  |  |  |  |  |   |  |  |  |   |   |   |   |
| B                | RW PORT   |              | [0..1]  | Port number |  |  |  |  |  |  |  |  |  |  |  |  |  |  |  |  |  |  |  |  |  |  |  |   |  |  |  |   |   |   |   |
| C                | RW CONNECT  | Disconnected | 1       | Disconnect  |  |  |  |  |  |  |  |  |  |  |  |  |  |  |  |  |  |  |  |  |  |  |  |   |  |  |  |   |   |   |   |
|                  |   | Connected    | 0       | Connect     |  |  |  |  |  |  |  |  |  |  |  |  |  |  |  |  |  |  |  |  |  |  |  |   |  |  |  |   |   |   |   |

### 6.34.9.25 PSEL.CTS

Address offset: 0x510

Pin select for CTS signal

| Bit number       | 31 30 29 28 27 26 25 24 23 22 21 20 19 18 17 16 15 14 13 12 11 10 9 8 7 6 5 4 3 2 1 0 |              |         |             |  |  |  |  |  |  |  |  |  |  |  |  |  |  |  |  |  |  |  |  |  |  |  |   |  |  |  |   |   |   |   |
|------------------|---|--------------|---------|-------------|--|--|--|--|--|--|--|--|--|--|--|--|--|--|--|--|--|--|--|--|--|--|--|---|--|--|--|---|---|---|---|
| ID               | C   |              |         |             |  |  |  |  |  |  |  |  |  |  |  |  |  |  |  |  |  |  |  |  |  |  |  | B |  |  |  | A | A | A | A |
| Reset 0xFFFFFFFF | 1                       |              |         |             |  |  |  |  |  |  |  |  |  |  |  |  |  |  |  |  |  |  |  |  |  |  |  |   |  |  |  |   |   |   |   |
| ID               | Acce Field  | Value ID     | Value   | Description |  |  |  |  |  |  |  |  |  |  |  |  |  |  |  |  |  |  |  |  |  |  |  |   |  |  |  |   |   |   |   |
| A                | RW PIN  |              | [0..31] | Pin number  |  |  |  |  |  |  |  |  |  |  |  |  |  |  |  |  |  |  |  |  |  |  |  |   |  |  |  |   |   |   |   |
| B                | RW PORT   |              | [0..1]  | Port number |  |  |  |  |  |  |  |  |  |  |  |  |  |  |  |  |  |  |  |  |  |  |  |   |  |  |  |   |   |   |   |
| C                | RW CONNECT  | Disconnected | 1       | Disconnect  |  |  |  |  |  |  |  |  |  |  |  |  |  |  |  |  |  |  |  |  |  |  |  |   |  |  |  |   |   |   |   |
|                  |   | Connected    | 0       | Connect     |  |  |  |  |  |  |  |  |  |  |  |  |  |  |  |  |  |  |  |  |  |  |  |   |  |  |  |   |   |   |   |

### 6.34.9.26 PSEL.RXD

Address offset: 0x514

Pin select for RXD signal

| Bit number       | 31   | 30      | 29           | 28      | 27          | 26 | 25 | 24 | 23 | 22 | 21 | 20 | 19 | 18 | 17 | 16 | 15 | 14 | 13 | 12 | 11 | 10 | 9 | 8 | 7 | 6 | 5 | 4 | 3 | 2 | 1 | 0 |
|------------------|------|---------|--------------|---------|-------------|----|----|----|----|----|----|----|----|----|----|----|----|----|----|----|----|----|---|---|---|---|---|---|---|---|---|---|
| ID               | C    |         |              |         |             |    |    |    |    |    |    |    |    |    |    | B  |    |    |    |    |    |    |   |   |   |   |   | A | A | A | A |   |
| Reset 0xFFFFFFFF | 1    |         |              |         |             |    |    |    |    |    |    |    |    |    |    |    |    |    |    |    |    |    |   |   |   |   |   |   |   |   |   |   |
| ID               | Acce | Field   | Value ID     | Value   | Description |    |    |    |    |    |    |    |    |    |    |    |    |    |    |    |    |    |   |   |   |   |   |   |   |   |   |   |
| A                | RW   | PIN     |              | [0..31] | Pin number  |    |    |    |    |    |    |    |    |    |    |    |    |    |    |    |    |    |   |   |   |   |   |   |   |   |   |   |
| B                | RW   | PORT    |              | [0..1]  | Port number |    |    |    |    |    |    |    |    |    |    |    |    |    |    |    |    |    |   |   |   |   |   |   |   |   |   |   |
| C                | RW   | CONNECT |              |         | Connection  |    |    |    |    |    |    |    |    |    |    |    |    |    |    |    |    |    |   |   |   |   |   |   |   |   |   |   |
|                  |      |         | Disconnected | 1       | Disconnect  |    |    |    |    |    |    |    |    |    |    |    |    |    |    |    |    |    |   |   |   |   |   |   |   |   |   |   |
|                  |      |         | Connected    | 0       | Connect     |    |    |    |    |    |    |    |    |    |    |    |    |    |    |    |    |    |   |   |   |   |   |   |   |   |   |   |

### 6.34.9.27 BAUDRATE

Address offset: 0x524

Baud rate. Accuracy depends on the HFCLK source selected.

| Bit number       | 31   | 30       | 29         | 28         | 27                                | 26 | 25 | 24 | 23 | 22 | 21 | 20 | 19 | 18 | 17 | 16 | 15 | 14 | 13 | 12 | 11 | 10 | 9 | 8 | 7 | 6 | 5 | 4 | 3 | 2 | 1 | 0 |
|------------------|------|----------|------------|------------|-----------------------------------|----|----|----|----|----|----|----|----|----|----|----|----|----|----|----|----|----|---|---|---|---|---|---|---|---|---|---|
| ID               | A    |          |            |            |                                   |    |    |    |    |    |    |    |    |    |    |    |    |    |    |    |    |    |   |   |   |   |   |   |   |   |   |   |
| Reset 0x04000000 | 0    |          |            |            |                                   |    |    |    |    |    |    |    |    |    |    |    |    |    |    |    |    |    |   |   |   |   |   |   |   |   |   |   |
| ID               | Acce | Field    | Value ID   | Value      | Description                       |    |    |    |    |    |    |    |    |    |    |    |    |    |    |    |    |    |   |   |   |   |   |   |   |   |   |   |
| A                | RW   | BAUDRATE |            |            | Baud rate                         |    |    |    |    |    |    |    |    |    |    |    |    |    |    |    |    |    |   |   |   |   |   |   |   |   |   |   |
|                  |      |          | Baud1200   | 0x0004F000 | 1200 baud (actual rate: 1205)     |    |    |    |    |    |    |    |    |    |    |    |    |    |    |    |    |    |   |   |   |   |   |   |   |   |   |   |
|                  |      |          | Baud2400   | 0x0009D000 | 2400 baud (actual rate: 2396)     |    |    |    |    |    |    |    |    |    |    |    |    |    |    |    |    |    |   |   |   |   |   |   |   |   |   |   |
|                  |      |          | Baud4800   | 0x0013B000 | 4800 baud (actual rate: 4808)     |    |    |    |    |    |    |    |    |    |    |    |    |    |    |    |    |    |   |   |   |   |   |   |   |   |   |   |
|                  |      |          | Baud9600   | 0x00275000 | 9600 baud (actual rate: 9598)     |    |    |    |    |    |    |    |    |    |    |    |    |    |    |    |    |    |   |   |   |   |   |   |   |   |   |   |
|                  |      |          | Baud14400  | 0x003AF000 | 14400 baud (actual rate: 14401)   |    |    |    |    |    |    |    |    |    |    |    |    |    |    |    |    |    |   |   |   |   |   |   |   |   |   |   |
|                  |      |          | Baud19200  | 0x004EA000 | 19200 baud (actual rate: 19208)   |    |    |    |    |    |    |    |    |    |    |    |    |    |    |    |    |    |   |   |   |   |   |   |   |   |   |   |
|                  |      |          | Baud28800  | 0x0075C000 | 28800 baud (actual rate: 28777)   |    |    |    |    |    |    |    |    |    |    |    |    |    |    |    |    |    |   |   |   |   |   |   |   |   |   |   |
|                  |      |          | Baud31250  | 0x00800000 | 31250 baud                        |    |    |    |    |    |    |    |    |    |    |    |    |    |    |    |    |    |   |   |   |   |   |   |   |   |   |   |
|                  |      |          | Baud38400  | 0x009D0000 | 38400 baud (actual rate: 38369)   |    |    |    |    |    |    |    |    |    |    |    |    |    |    |    |    |    |   |   |   |   |   |   |   |   |   |   |
|                  |      |          | Baud56000  | 0x00E50000 | 56000 baud (actual rate: 55944)   |    |    |    |    |    |    |    |    |    |    |    |    |    |    |    |    |    |   |   |   |   |   |   |   |   |   |   |
|                  |      |          | Baud57600  | 0x00EB0000 | 57600 baud (actual rate: 57554)   |    |    |    |    |    |    |    |    |    |    |    |    |    |    |    |    |    |   |   |   |   |   |   |   |   |   |   |
|                  |      |          | Baud76800  | 0x013A9000 | 76800 baud (actual rate: 76923)   |    |    |    |    |    |    |    |    |    |    |    |    |    |    |    |    |    |   |   |   |   |   |   |   |   |   |   |
|                  |      |          | Baud115200 | 0x01D60000 | 115200 baud (actual rate: 115108) |    |    |    |    |    |    |    |    |    |    |    |    |    |    |    |    |    |   |   |   |   |   |   |   |   |   |   |
|                  |      |          | Baud230400 | 0x03B00000 | 230400 baud (actual rate: 231884) |    |    |    |    |    |    |    |    |    |    |    |    |    |    |    |    |    |   |   |   |   |   |   |   |   |   |   |
|                  |      |          | Baud250000 | 0x04000000 | 250000 baud                       |    |    |    |    |    |    |    |    |    |    |    |    |    |    |    |    |    |   |   |   |   |   |   |   |   |   |   |
|                  |      |          | Baud460800 | 0x07400000 | 460800 baud (actual rate: 457143) |    |    |    |    |    |    |    |    |    |    |    |    |    |    |    |    |    |   |   |   |   |   |   |   |   |   |   |
|                  |      |          | Baud921600 | 0x0F000000 | 921600 baud (actual rate: 941176) |    |    |    |    |    |    |    |    |    |    |    |    |    |    |    |    |    |   |   |   |   |   |   |   |   |   |   |
|                  |      |          | Baud1M     | 0x10000000 | 1 megabaud                        |    |    |    |    |    |    |    |    |    |    |    |    |    |    |    |    |    |   |   |   |   |   |   |   |   |   |   |

### 6.34.9.28 RXD.PTR

Address offset: 0x534

Data pointer

| Bit number       | 31   | 30    | 29       | 28    | 27           | 26 | 25 | 24 | 23 | 22 | 21 | 20 | 19 | 18 | 17 | 16 | 15 | 14 | 13 | 12 | 11 | 10 | 9 | 8 | 7 | 6 | 5 | 4 | 3 | 2 | 1 | 0 |
|------------------|------|-------|----------|-------|--------------|----|----|----|----|----|----|----|----|----|----|----|----|----|----|----|----|----|---|---|---|---|---|---|---|---|---|---|
| ID               | A    |       |          |       |              |    |    |    |    |    |    |    |    |    |    |    |    |    |    |    |    |    |   |   |   |   |   |   |   |   |   |   |
| Reset 0x00000000 | 0    |       |          |       |              |    |    |    |    |    |    |    |    |    |    |    |    |    |    |    |    |    |   |   |   |   |   |   |   |   |   |   |
| ID               | Acce | Field | Value ID | Value | Description  |    |    |    |    |    |    |    |    |    |    |    |    |    |    |    |    |    |   |   |   |   |   |   |   |   |   |   |
| A                | RW   | PTR   |          |       | Data pointer |    |    |    |    |    |    |    |    |    |    |    |    |    |    |    |    |    |   |   |   |   |   |   |   |   |   |   |

See the memory chapter for details about which memories are available for EasyDMA.

### 6.34.9.29 RXD.MAXCNT

Address offset: 0x538

Maximum number of bytes in receive buffer

| Bit number       | 31  | 30       | 29          | 28  | 27 | 26 | 25 | 24 | 23 | 22 | 21 | 20 | 19 | 18 | 17 | 16 | 15 | 14 | 13 | 12 | 11 | 10 | 9 | 8 | 7 | 6 | 5 | 4 | 3 | 2 | 1 | 0 |   |
|------------------|---|----------|-------------|---|----|----|----|----|----|----|----|----|----|----|----|----|----|----|----|----|----|----|---|---|---|---|---|---|---|---|---|---|---|
| ID               |   |          |             |   |    |    |    |    |    |    |    |    |    |    |    |    | A  | A  | A  | A  | A  | A  | A | A | A | A | A | A | A | A | A | A | A |
| Reset 0x00000000 | 0 |          |             |   |    |    |    |    |    |    |    |    |    |    |    |    |    |    |    |    |    |    |   |   |   |   |   |   |   |   |   |   |   |
| ID               | Acce Field  | Value ID | Value       | Description                               |    |    |    |    |    |    |    |    |    |    |    |    |    |    |    |    |    |    |   |   |   |   |   |   |   |   |   |   |   |
| A                | RW  | MAXCNT   | [0..0xFFFF] | Maximum number of bytes in receive buffer |    |    |    |    |    |    |    |    |    |    |    |    |    |    |    |    |    |    |   |   |   |   |   |   |   |   |   |   |   |

### 6.34.9.30 RXD.AMOUNT

Address offset: 0x53C

Number of bytes transferred in the last transaction

| Bit number       | 31  | 30       | 29          | 28  | 27 | 26 | 25 | 24 | 23 | 22 | 21 | 20 | 19 | 18 | 17 | 16 | 15 | 14 | 13 | 12 | 11 | 10 | 9 | 8 | 7 | 6 | 5 | 4 | 3 | 2 | 1 | 0 |   |
|------------------|---|----------|-------------|---|----|----|----|----|----|----|----|----|----|----|----|----|----|----|----|----|----|----|---|---|---|---|---|---|---|---|---|---|---|
| ID               |   |          |             |   |    |    |    |    |    |    |    |    |    |    |    |    | A  | A  | A  | A  | A  | A  | A | A | A | A | A | A | A | A | A | A | A |
| Reset 0x00000000 | 0 |          |             |   |    |    |    |    |    |    |    |    |    |    |    |    |    |    |    |    |    |    |   |   |   |   |   |   |   |   |   |   |   |
| ID               | Acce Field  | Value ID | Value       | Description   |    |    |    |    |    |    |    |    |    |    |    |    |    |    |    |    |    |    |   |   |   |   |   |   |   |   |   |   |   |
| A                | R   | AMOUNT   | [0..0xFFFF] | Number of bytes transferred in the last transaction |    |    |    |    |    |    |    |    |    |    |    |    |    |    |    |    |    |    |   |   |   |   |   |   |   |   |   |   |   |

### 6.34.9.31 TXD.PTR

Address offset: 0x544

Data pointer

| Bit number       | 31  | 30       | 29    | 28           | 27 | 26 | 25 | 24 | 23 | 22 | 21 | 20 | 19 | 18 | 17 | 16 | 15 | 14 | 13 | 12 | 11 | 10 | 9 | 8 | 7 | 6 | 5 | 4 | 3 | 2 | 1 | 0 |
|------------------|---|----------|-------|--------------|----|----|----|----|----|----|----|----|----|----|----|----|----|----|----|----|----|----|---|---|---|---|---|---|---|---|---|---|
| ID               | A   | A        | A     | A            | A  | A  | A  | A  | A  | A  | A  | A  | A  | A  | A  | A  | A  | A  | A  | A  | A  | A  | A | A | A | A | A | A | A | A | A |   |
| Reset 0x00000000 | 0 |          |       |              |    |    |    |    |    |    |    |    |    |    |    |    |    |    |    |    |    |    |   |   |   |   |   |   |   |   |   |   |
| ID               | Acce Field  | Value ID | Value | Description  |    |    |    |    |    |    |    |    |    |    |    |    |    |    |    |    |    |    |   |   |   |   |   |   |   |   |   |   |
| A                | RW  | PTR      |       | Data pointer |    |    |    |    |    |    |    |    |    |    |    |    |    |    |    |    |    |    |   |   |   |   |   |   |   |   |   |   |

See the memory chapter for details about which memories are available for EasyDMA.

### 6.34.9.32 TXD.MAXCNT

Address offset: 0x548

Maximum number of bytes in transmit buffer

| Bit number       | 31  | 30       | 29          | 28   | 27 | 26 | 25 | 24 | 23 | 22 | 21 | 20 | 19 | 18 | 17 | 16 | 15 | 14 | 13 | 12 | 11 | 10 | 9 | 8 | 7 | 6 | 5 | 4 | 3 | 2 | 1 | 0 |   |
|------------------|---|----------|-------------|--|----|----|----|----|----|----|----|----|----|----|----|----|----|----|----|----|----|----|---|---|---|---|---|---|---|---|---|---|---|
| ID               |   |          |             |  |    |    |    |    |    |    |    |    |    |    |    |    | A  | A  | A  | A  | A  | A  | A | A | A | A | A | A | A | A | A | A | A |
| Reset 0x00000000 | 0 |          |             |  |    |    |    |    |    |    |    |    |    |    |    |    |    |    |    |    |    |    |   |   |   |   |   |   |   |   |   |   |   |
| ID               | Acce Field  | Value ID | Value       | Description                                |    |    |    |    |    |    |    |    |    |    |    |    |    |    |    |    |    |    |   |   |   |   |   |   |   |   |   |   |   |
| A                | RW  | MAXCNT   | [0..0xFFFF] | Maximum number of bytes in transmit buffer |    |    |    |    |    |    |    |    |    |    |    |    |    |    |    |    |    |    |   |   |   |   |   |   |   |   |   |   |   |

### 6.34.9.33 TXD.AMOUNT

Address offset: 0x54C

Number of bytes transferred in the last transaction

| Bit number       | 31  | 30       | 29          | 28  | 27 | 26 | 25 | 24 | 23 | 22 | 21 | 20 | 19 | 18 | 17 | 16 | 15 | 14 | 13 | 12 | 11 | 10 | 9 | 8 | 7 | 6 | 5 | 4 | 3 | 2 | 1 | 0 |
|------------------|---|----------|-------------|---|----|----|----|----|----|----|----|----|----|----|----|----|----|----|----|----|----|----|---|---|---|---|---|---|---|---|---|---|
| ID               | A A A A A A A A A A A A A A A A A A                               |          |             |   |    |    |    |    |    |    |    |    |    |    |    |    |    |    |    |    |    |    |   |   |   |   |   |   |   |   |   |   |
| Reset 0x00000000 | 0 |          |             |   |    |    |    |    |    |    |    |    |    |    |    |    |    |    |    |    |    |    |   |   |   |   |   |   |   |   |   |   |
| ID               | Acce Field  | Value ID | Value       | Description   |    |    |    |    |    |    |    |    |    |    |    |    |    |    |    |    |    |    |   |   |   |   |   |   |   |   |   |   |
| A                | R   | AMOUNT   | [0..0xFFFF] | Number of bytes transferred in the last transaction |    |    |    |    |    |    |    |    |    |    |    |    |    |    |    |    |    |    |   |   |   |   |   |   |   |   |   |   |

### 6.34.9.34 CONFIG

Address offset: 0x56C

Configuration of parity and hardware flow control

| Bit number       | 31  | 30       | 29    | 28                      | 27 | 26 | 25 | 24 | 23 | 22 | 21 | 20 | 19 | 18 | 17 | 16 | 15 | 14 | 13 | 12 | 11 | 10 | 9 | 8 | 7 | 6 | 5 | 4 | 3 | 2 | 1 | 0 |
|------------------|---|----------|-------|-------------------------|----|----|----|----|----|----|----|----|----|----|----|----|----|----|----|----|----|----|---|---|---|---|---|---|---|---|---|---|
| ID               | C B B B A   |          |       |                         |    |    |    |    |    |    |    |    |    |    |    |    |    |    |    |    |    |    |   |   |   |   |   |   |   |   |   |   |
| Reset 0x00000000 | 0 |          |       |                         |    |    |    |    |    |    |    |    |    |    |    |    |    |    |    |    |    |    |   |   |   |   |   |   |   |   |   |   |
| ID               | Acce Field  | Value ID | Value | Description             |    |    |    |    |    |    |    |    |    |    |    |    |    |    |    |    |    |    |   |   |   |   |   |   |   |   |   |   |
| A                | RW  | HWFC     |       | Hardware flow control   |    |    |    |    |    |    |    |    |    |    |    |    |    |    |    |    |    |    |   |   |   |   |   |   |   |   |   |   |
|                  |   | Disabled | 0     | Disabled                |    |    |    |    |    |    |    |    |    |    |    |    |    |    |    |    |    |    |   |   |   |   |   |   |   |   |   |   |
|                  |   | Enabled  | 1     | Enabled                 |    |    |    |    |    |    |    |    |    |    |    |    |    |    |    |    |    |    |   |   |   |   |   |   |   |   |   |   |
| B                | RW  | PARITY   |       | Parity                  |    |    |    |    |    |    |    |    |    |    |    |    |    |    |    |    |    |    |   |   |   |   |   |   |   |   |   |   |
|                  |   | Excluded | 0x0   | Exclude parity bit      |    |    |    |    |    |    |    |    |    |    |    |    |    |    |    |    |    |    |   |   |   |   |   |   |   |   |   |   |
|                  |   | Included | 0x7   | Include even parity bit |    |    |    |    |    |    |    |    |    |    |    |    |    |    |    |    |    |    |   |   |   |   |   |   |   |   |   |   |
| C                | RW  | STOP     |       | Stop bits               |    |    |    |    |    |    |    |    |    |    |    |    |    |    |    |    |    |    |   |   |   |   |   |   |   |   |   |   |
|                  |   | One      | 0     | One stop bit            |    |    |    |    |    |    |    |    |    |    |    |    |    |    |    |    |    |    |   |   |   |   |   |   |   |   |   |   |
|                  |   | Two      | 1     | Two stop bits           |    |    |    |    |    |    |    |    |    |    |    |    |    |    |    |    |    |    |   |   |   |   |   |   |   |   |   |   |

## 6.34.10 Electrical specification

### 6.34.10.1 UARTE electrical specification

| Symbol            | Description  | Min. | Typ. | Max. | Units   |
|-------------------|--|------|------|------|---------|
| $f_{UARTE}$       | Baud rate for UARTE <sup>42</sup> .                    |      |      | 1000 | kbps    |
| $t_{UARTE,CTSH}$  | CTS high time  | 1    |      |      | $\mu$ s |
| $t_{UARTE,START}$ | Time from STARTRX/STARTTX task to transmission started |      | 1    |      | $\mu$ s |

## 6.35 USB — Universal serial bus device

The USB device (USB) controller implements a full speed USB device function that meets 2.0 revision of the USB specification.

<sup>42</sup> High baud rates may require GPIOs to be set as High Drive, see GPIO chapter for more details.



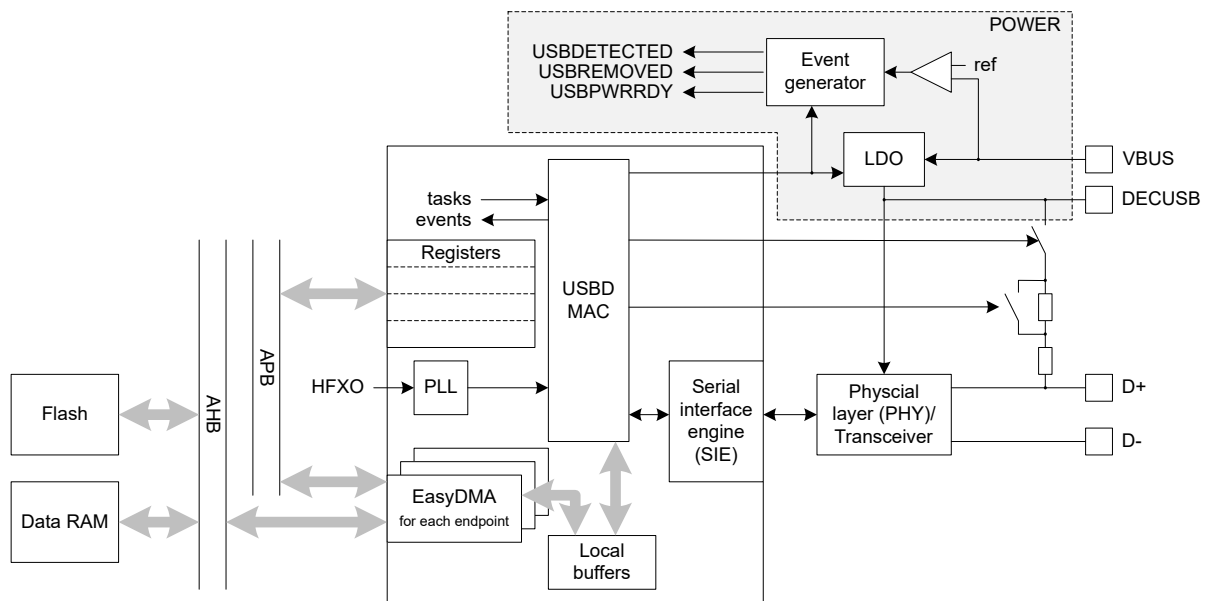


Figure 195: USB device block diagram

Listed here are the main features for USB:

- Full-speed (12 Mbps) device fully compliant to [Universal Serial Bus Specification Revision 2.0](#), including following engineering change notices (ECNs) issued by USB Implementers Forum:
  - *Pull-up/pull-down Resistors ECN*
  - *5V Short Circuit Withstand Requirement Change ECN*
- USB device stack available in the Nordic SDK
- Integrated (on-chip) USB transceiver (PHY)
- Software controlled on-chip pull-up on D+
- Endpoints:
  - Two control (1 IN, 1 OUT)
  - 14 bulk/interrupt (7 IN, 7 OUT)
  - Two isochronous (1 IN, 1 OUT)
- Double buffering for isochronous (ISO) endpoints (IN/OUT) support
- USB suspend, resume, and remote wake-up support
- 64 bytes buffer size for each bulk/interrupt endpoint
- Up to 1023 bytes buffer size for ISO endpoints
- EasyDMA for all data transfers

### 6.35.1 USB device states

The behavior of a USB device can be modelled through a state diagram.

The *USB 2.0 Specification* (see *Chapter 9 USB Device Framework*) defines a number of states for a USB device, as shown in the following figure.

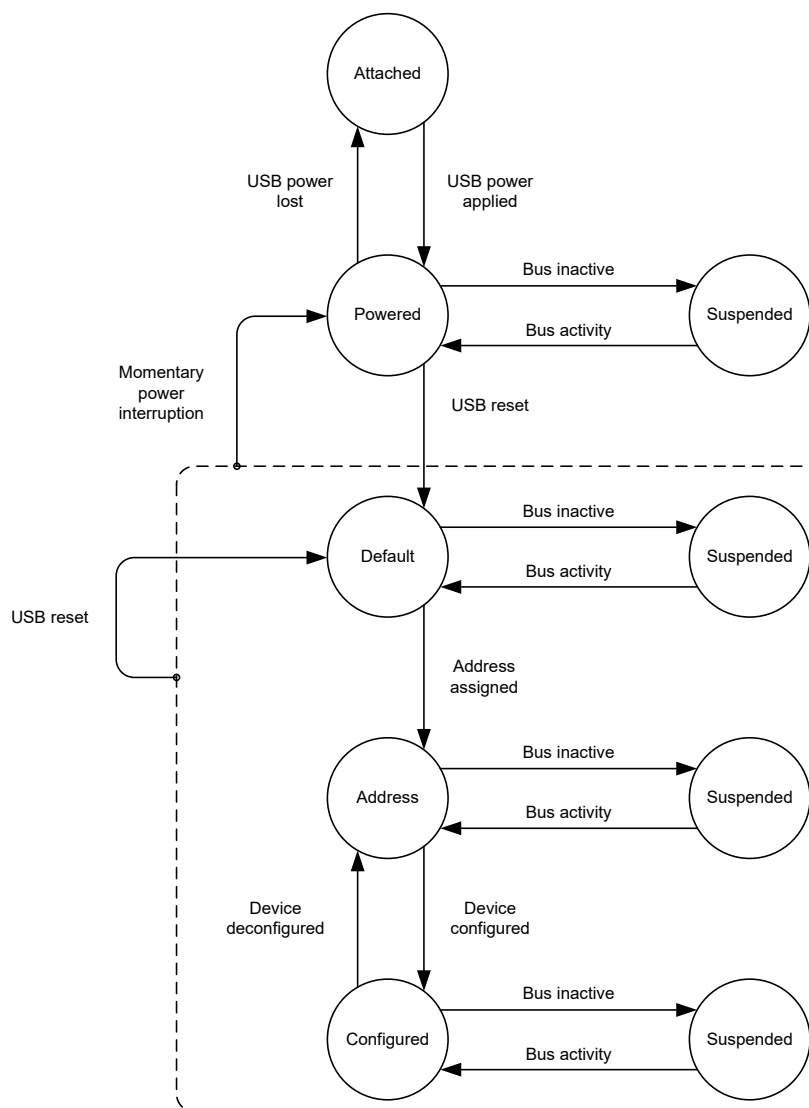


Figure 196: Device state diagram

The device must change state according to host-initiated traffic and USB bus states. It is up to the software to implement a state machine that matches the above definition. To detect the presence or absence of USB supply (VBUS), two events USBDETECTED and USBREMOVED can be used to implement the state machine. For more details on these events, see [USB supply](#) on page 69.

As a general rule when implementing the software, the host behavior shall never be assumed to be predictable. In particular the sequence of commands received during an enumeration. The software shall always react to the current bus conditions or commands sent by the host.

### 6.35.2 USB terminology

The USB specification defines bus states, rather than logic levels on the D+ and D- lines.

For a full speed device, the bus state where the D+ line is high and the D- line is low is defined as the J state. The bus state where D+ is low and D- high is called the K state.

An idle bus, where D+ and D- lines are only polarized through the pull-up on D+ and pull-downs on the host side, will be in J state.

Both lines low are called SE0 (single-ended 0), and both lines high SE1 (single-ended 1).

### 6.35.3 USB pins

The USB peripheral features a number of dedicated pins.

The dedicated USB pins can be grouped in two categories, signal and power. The signal pins consist of the D+ and D- pins, which are to be connected to the USB host. They are dedicated pins, and not available as standard GPIOs. The USB peripheral is implemented according to the USB specification revision 2.0, *5V Short Circuit Withstand ECN Requirement Change*, meaning these two pins are not 5 V tolerant.

The signal pins and the pull-up will operate only while VBUS is in its valid voltage range, and USB is enabled through the **ENABLE** register. For details on the USB power supply and VBUS detection, see [USB supply](#) on page 69.

For more information about the pinout, see [Pin assignments](#) on page 577.

### 6.35.4 USB power-up sequence

The physical layer interface (PHY)/USB transceiver is powered separately from the rest of the device (VBUS pin), which has some implications on the USB power-up sequence.

The device is not able to properly signal its presence to the USB host and handle traffic from the host, unless the PHY's power supply is enabled and stable. Turning the PHY's power supply on/off is directly linked to register **ENABLE**. The device provides events that help synchronizing software to the various steps during the power-up sequence.

To make sure that all resources in USB are available and the dedicated USB voltage regulator stabilized, the following is recommended:

- Enable USB only after VBUS has been detected
- Turn the USB pull-up on after the following events have occurred:
  - USBPWRRDY
  - USBEVENT, with the READY condition flagged in **EVENTCAUSE**

The following sequence chart illustrates a typical handling of VBUS power-up:

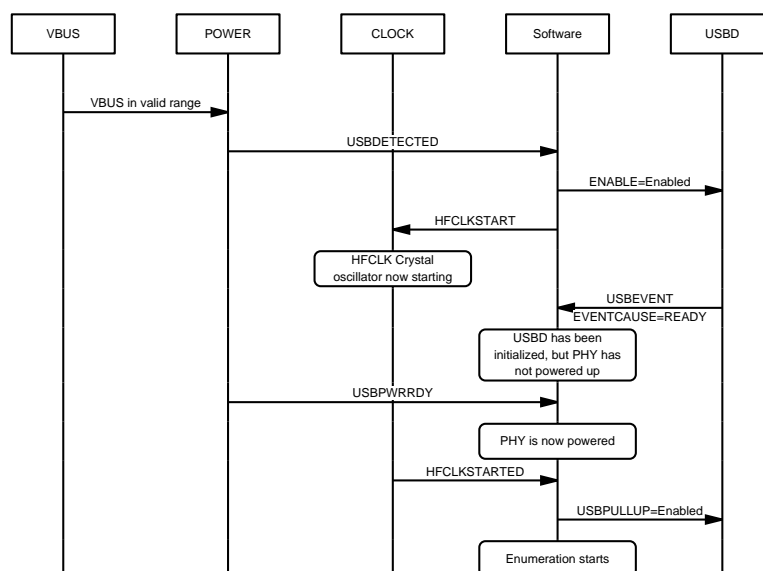


Figure 197: VBUS power-up sequence

Upon detecting VBUS removal, it is recommended to wait for ongoing EasyDMA transfers to finish before disabling USB (relevant ENDEPIN[n], ENDISOIN, ENDEPOUT[n], or ENDISOOUT events, see [EasyDMA](#) on page 538). The USBREMOVED event, described in [USB supply](#) on page 69, signals when the VBUS is removed. Reading the ENABLE register will return Enabled until USB is completely disabled.

### 6.35.5 USB pull-up

The USB pull-up serves two purposes: it indicates to the host that the device is connected to the USB bus, and it indicates the device's speed capability.

When no pull-up is connected to the USB bus, the host sees both D+ and D- lines low, as they are pulled down on the host side by 15 k $\Omega$  resistors. The device is not detected by the host, putting it in a detached state even if it is physically connected to the host. In this situation, the device is not allowed to draw current from VBUS, according to *USB 2.0 Specification*.

When a full-speed device connects its 1.5 k $\Omega$  pull-up to D+, the host sees the corresponding line high. The device is then in the attached state. During the enumeration process, the host attempts to determine if the full-speed device also supports higher speeds and initiates communication with the device to further identify it. The USB D peripheral implemented in this device supports only full-speed operation (12 Mbps), and thus ignores the negotiation for higher speeds in accordance with *USB 2.0 Specification*.

Register **USBPULLUP** enables software to connect or disconnect the pull-up on D+. This allows the software to control when USB enumeration takes place. It also allows to emulate a physical disconnect from the USB bus, for instance when re-enumeration is required. **USBPULLUP** has to be enabled to allow the USB D to handle USB traffic and generate appropriate events. This forbids the use of an external pull-up.

Note that disconnecting the pull-up through register **USBPULLUP** while connected to a host, will result in both D+ and D- lines to be pulled low by the host's pull-down resistors. However, as mentioned above, this will also inhibit the generation of the USBRESET event. The pull-up is disabled by default after a chip reset.

The pull-up shall only get connected after USB D has been enabled through register **ENABLE**. The USB pull-up value is automatically changed depending on the bus activity, as specified in *Resistor ECN* which amends the original *USB 2.0 Specification*. The user does not have access to this function as it is handled in hardware.

While they should never be used in normal traffic activity, lines D+ and D- may at any time be forced into state specified in register **DPDMVALUE** by the task DPDMDRIVE. The DPDMNODRIVE task stops driving them, and PHY returns to normal operation.

### 6.35.6 USB reset

The USB specification defines a USB reset, which is not be confused with a chip reset. The USB reset is a normal USB bus condition, and is used as part of the enumeration sequence, it does not reset the chip.

The USB reset results from a single-ended low state (SEO) on lines D+/D- for a  $t_{\text{USB,DETRST}}$  amount of time. Only the host is allowed to drive a USB reset condition on the bus. The USB D peripheral automatically interprets a SEO longer than  $t_{\text{USB,DETRST}}$  as a USB reset. When the device detects a USB reset and generates a USBRESET event, the device USB stack and related parts of the application shall re-initialize themselves, and go back to the default state.

Some of the registers in the USB D peripheral get automatically reset to a known state, in particular all data endpoints are disabled and the **USBADDR** reset to 0.

After the device has connected to the USB bus (i.e. after VBUS is applied), the device shall not respond to any traffic from the time the pull-up is enabled until it has seen a USB reset condition. This is automatically ensured by the USB D.

After a USB reset, the device shall be fully responsive after at most  $T_{\text{RSTRCY}}$  (according to chapter 7 in the USB specification). Software shall take into account this time that takes the hardware to recover from a USB reset condition.

### 6.35.7 USB suspend and resume

Normally, the host will maintain activity on the USB at least every millisecond according to USB specification. A USB device will enter suspend when there is no activity on the bus (idle) for a given time. The device will resume operation when it receives any non idle signalling.

To signal that the device shall go into low power mode (suspend), the host stops activity on the USB bus, which becomes idle. Only the device pull-up and host pull-downs act on D+ and D-, and the bus is thus kept at a constant J state. It is up to the device to detect this lack of activity, and enter the low power mode (suspend) within a specified time.

The USB host can decide to suspend or resume USB activity at any time. If remote wake-up is enabled, the device may signal to the host to resume from suspend.

#### 6.35.7.1 Entering suspend

The USB peripheral automatically detects lack of activity for more than a defined amount of time, and performs steps needed to enter suspend.

When no activity has been detected for longer than  $t_{\text{USB,SUSPEND}}$ , the USB peripheral generates the USBEVENT event with SUSPEND bit set in register `EVENTCAUSE`. The software shall ensure that the current drawn from the USB supply line VBUS is within the specified limits before  $T_{2\text{SUSP}}$ , as defined in chapter 7 of the USB specification. In order to reduce idle current of USB peripheral, the software must explicitly place the USB peripheral in low power mode through writing `LowPower` to register `LOWPOWER`.

In order to save power, and provided that no other peripheral needs it, the crystal oscillator (HFXO) in CLOCK may be disabled by software during the USB suspend, while the USB pull-up is disconnected, or when VBUS is not present. Software must explicitly enable it at any other time. The USB peripheral will not be able to respond to USB traffic unless HFXO is enabled and stable.

#### 6.35.7.2 Host-initiated resume

Once the host resumes the bus activity, it has to be responsive to incoming requests on the USB bus within the time  $T_{\text{RSMRCY}}$  (as defined in chapter 7 of the USB specification) and revert to normal power consumption mode.

If the host resumes bus activity with or without a RESUME condition (in other words: bus activity is defined as any non-J state), the USB peripheral will generate a USBEVENT event, with RESUME bit set in register `EVENTCAUSE`. If the host resumes bus activity simply by restarting sending frames, the USB peripheral will generate SOF events.

#### 6.35.7.3 Device-initiated remote wake-up

Assuming the remote wake-up is supported by the device and enabled by the host, the device can request the host to resume from suspend if wake-up condition is met.

To do so, the HFXO needs to be enabled first. After waking up the HFXO, the software must bring USB peripheral out of the low power mode and into the normal power consumption mode through writing `ForceNormal` in register `LOWPOWER`. It can then instruct the USB peripheral to drive a RESUME condition (K state) on the USB bus by triggering the DPDMDRIVE task, and hence attempt to wake up the host. By choosing `Resume` in `DPDMVALUE`, the duration of the RESUME state is under hardware control ( $t_{\text{USB,DRIVEK}}$ ). By choosing `J` or `K`, the duration of that state is under software control (the J or K state is maintained until a DPDMNODRIVE task is triggered) and has to meet  $T_{\text{DRSMUP}}$  as specified in USB specification chapter 7.

Upon writing the `ForceNormal` in register `LOWPOWER`, a USBEVENT event is generated with the USBWUALLOWED bit set in register `EVENTCAUSE`.

The value in register `DPDMVALUE` on page 566 will only be captured and used when the DPDMDRIVE task is triggered. This value defines the state the bus will be forced into after the DPDMDRIVE task.

The device shall ensure that it does not initiate a remote wake-up request before  $T_{WTRSM}$  (according to USB specification chapter 7) after the bus has entered idle state. Using the recommended resume value in [DPDMVALUE](#) (rather than K) takes care of this, and postpones the RESUME state accordingly.

### 6.35.8 EasyDMA

The USB peripheral implements EasyDMA for accessing memory without CPU involvement.

Each endpoint has an associated set of registers, tasks and events. EasyDMA and traffic on USB are tightly related. A number of events provide insight of what is happening on the USB bus with a number of tasks allowing an automated response to the traffic.

**Note:** Endpoint 0 (IN and OUT) are implemented as control endpoint. For more information, see [Control transfers](#) on page 539.

#### Registers

Enabling endpoints is controlled through the [EPINEN](#) and [EPOUTEN](#) registers.

The following registers define the memory address of the buffer for a specific IN or OUT endpoint:

- [EPIN\[n\].PTR](#), (n=0..7)
- [EPOUT\[n\].PTR](#), (n=0..7)
- [ISOIN.PTR](#)
- [ISOOUT.PTR](#)

The following registers define the amount of bytes to be sent on USB for next transaction:

- [EPIN\[n\].MAXCNT](#), (n=0..7)
- [ISOIN.MAXCNT](#)

The following registers define the length of the buffer (in bytes) for next transfer of incoming data:

- [EPOUT\[n\].MAXCNT](#), (n=1..7)
- [ISOOUT.MAXCNT](#)

Since the host decides how many bytes are sent over USB, the MAXCNT value can be copied from register [SIZE.EPOUT\[n\]](#) (n=1..7) or register [SIZE.ISOOUT](#).

Register [EPOUT\[0\].MAXCNT](#) defines the length of the OUT buffer (in bytes) for the control endpoint 0. Register [SIZE.EPOUT\[0\]](#) shall indicate the same value as `MaxPacketSize` from the device descriptor or `wLength` from the SETUP command, whichever is the least.

The [.AMOUNT](#) registers indicate how many bytes actually have been transferred over EasyDMA during the last transfer.

Stalling bulk/interrupt endpoints is controlled through the [EPSTALL](#) register.

**Note:** Due to USB specification requirements, the effect of the stalling control endpoint 0 may be overridden by hardware, in particular when a new SETUP token is received.

EasyDMA will not copy the SETUP data to memory (it will only transfer data from the data stage). The following are separate registers in the USB peripheral that have setup data.

- [BMREQUESTTYPE](#)
- [BREQUEST](#)
- [WVALUEL](#)
- [WVALUEH](#)
- [WINDEXL](#)
- [WINDEXH](#)

- [WLENGTHL](#)
- [WLENGTHH](#)

The [EVENTCAUSE](#) register provides details on what caused a given USBEVENT event, for instance if a CRC error is detected during a transaction, or if bus activity stops or resumes.

## Tasks

Tasks [STARTEPIN\[n\]](#), [STARTEPOUT\[n\]](#) ( $n=0..7$ ), [STARTISOIN](#), and [STARTISOOUT](#) capture the values for [.PTR](#) and [.MAXCNT](#) registers. For IN endpoints, a transaction over USB gets automatically triggered when the EasyDMA transfer is complete. For OUT endpoints, it is up to software to allow the next transaction over USB. See the examples in [Control transfers](#) on page 539, [Bulk and interrupt transactions](#) on page 542, and [Isochronous transactions](#) on page 544.

For the control endpoint 0, OUT transactions are allowed through the [EPORCVOUT](#) task. The [EPOSTATUS](#) task allows a status stage to be initiated, and the [EPOSTALL](#) task allows stalling further traffic (data or status stage) on the control endpoint.

## Events

The [STARTED](#) event confirms that the values of the [.PTR](#) and [.MAXCNT](#) registers of the endpoints flagged in register [EPSTATUS](#) have been captured. Those can then be modified by software for the next transfer.

Events [ENDEPIN\[n\]](#), [ENDEPOUT\[n\]](#) ( $n=0..7$ ), [ENDISOIN](#), and [ENDISOOUT](#) events indicate that the entire buffer has been consumed. The buffer can be accessed safely by the software.

Only a single EasyDMA transfer can take place in USB at any time. Software must ensure that tasks [STARTEPIN\[n\]](#) ( $n=0..7$ ), [STARTISOIN](#), [STARTEPOUT\[n\]](#) ( $n=0..7$ ), or [STARTISOOUT](#) are not triggered before events [ENDEPIN\[n\]](#) ( $n=0..7$ ), [ENDISOIN](#), [ENDEPOUT\[n\]](#) ( $n=0..7$ ), or [ENDISOOUT](#) are received from an on-going transfer.

The [EPDATA](#) event indicates that a successful (acknowledged) data transaction has occurred on the data endpoint(s) flagged in register [EPDATASTATUS](#). A successful (acknowledged) data transaction on endpoint 0 is signalled by the [EPODATADONE](#) event.

At any time a [USBEVENT](#) event may be sent, with details provided in [EVENTCAUSE](#) register.

The [EPOSETUP](#) event indicates that a SETUP token has been received on the control endpoint 0, and that the setup data is available in the [setup data registers](#).

### 6.35.9 Control transfers

The USB specification mandates every USB device to implement endpoint 0 IN and OUT as control endpoints.

A control transfer consists of two or three stages:

- Setup stage
- Data stage (optional)
- Status stage

Each control transfer can be one of following types:

- Control read
- Control read no data
- Control write
- Control write no data

An [EPOSETUP](#) event indicates that the data in the setup stage (following the SETUP token) is available in [registers](#).

The data in the data stage (following the IN or OUT token) is transferred from or to the desired location using EasyDMA.

The control endpoint buffer can be of any size.

After receiving the SETUP token, the USB controller will not accept (NAK) any incoming IN or OUT tokens until the software has finished decoding the command, determined the type of transfer, and prepared for the next stage (data or status) appropriately.

The software can stall a command when in the data and status stages, through the EPOSTALL task, when the command is not supported or if its wValue, wIndex or wLength parameters are wrong. The following shows a stalled control read transfer, but the same mechanism (tasks) applies to stalling a control write transfer.

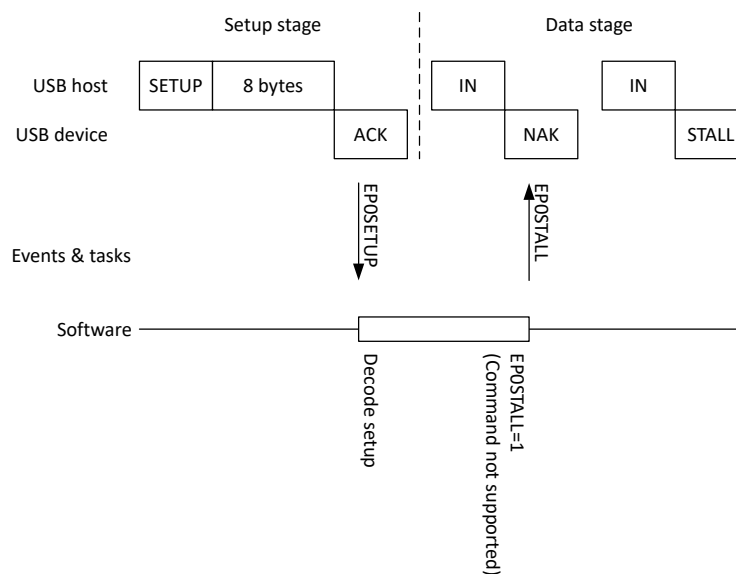


Figure 198: Control read gets stalled

See the *USB 2.0 Specification* and relevant class specifications for rules on stalling commands.

**Note:** The USB peripheral handles the SetAddress transfer by itself. As a consequence, the software shall not process this command other than updating its state machine (see [Device state diagram](#)), nor initiate a status stage. If necessary, the address assigned by the host can be read out from the USBADDR register after the command has been processed.

### 6.35.9.1 Control read transfer

This section describes how the software behaves when responding to a control read transfer.

As mentioned earlier, the USB controller will not accept (NAK) any incoming IN tokens until software has finished decoding the command, determining the type of transfer, and preparing for the next stage (data or status) appropriately.

For a control read, transferring the data from memory into USB will trigger a valid, acknowledged (ACK) IN transaction on USB.

The software has to prepare EasyDMA by pointing to the buffer containing the data to be transferred. If no other EasyDMA transfers are on-going with USB, the software can send the STARTEPIN0 task, which will initiate the data transfer and transaction on USB.

A STARTED event (with EPIN0 bit set in the EPSTATUS register) will be generated as soon as the EPIN[0].PTR and .MAXCNT registers have been captured. Software may then prepare them for the next data transaction.



An ENDEPIN[0] event will be generated when the data has been transferred from memory to the USB peripheral.

Finally, an EPODATADONE event will be generated when the data has been transmitted over USB and acknowledged by the host.

The software can then either prepare and transmit the next data transaction by repeating the above sequence, or initiate the status stage through the EPOSTATUS task.

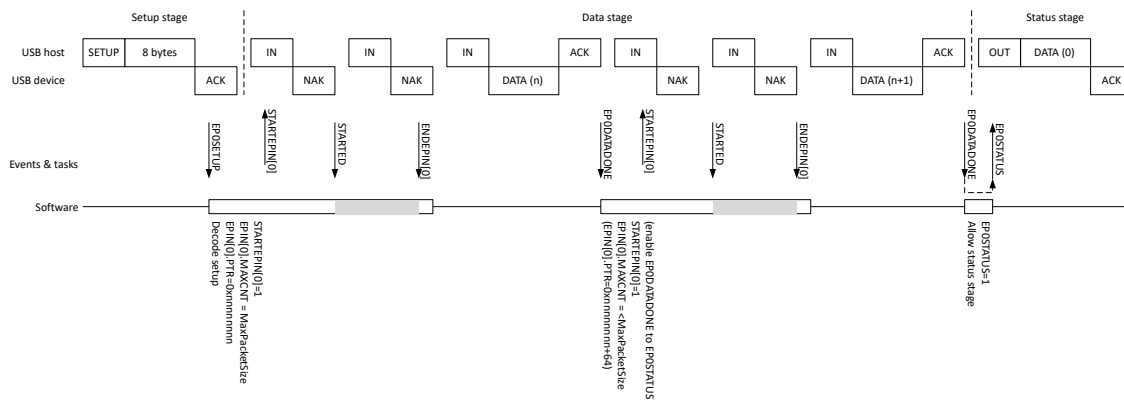


Figure 199: Control read transfer

It is possible to enable a shortcut from the EPODATADONE event to the EPOSTATUS task, typically if the data stage is expected to take a single transfer. If there is no data stage, the software can initiate the status stage through the EPOSTATUS task right away, as shown in the following figure.

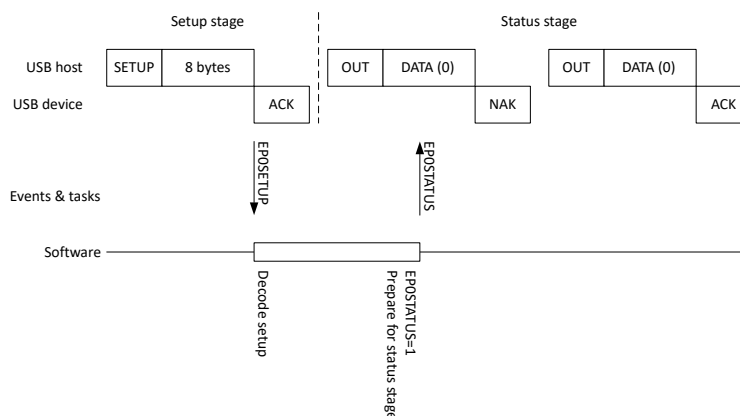


Figure 200: Control read no data transfer

### 6.35.9.2 Control write transfer

This section describes how the software responds to a control write transfer.

The software has to prepare EasyDMA by pointing to the buffer in memory that shall contain the incoming data. If no other EasyDMA transfers are ongoing with USB, the software can then send the EPORCVOUT task, which will make USB acknowledge (ACK) the first OUT+DATA transaction from the host.

An EPODATADONE event will be generated when a new OUT+DATA has been transmitted over USB, and is about to get acknowledged by the device.

After receiving the first transaction, a STARTED event (the EPOUT0 bit set in the EPSTATUS register) is generated when the EPOUT[0].PTR and .MAXCNT registers have been captured. Software may then prepare them for the next data transaction.

An ENDEPOUT[0] event will be generated when the data has been transferred from the USB peripheral to memory. The software can then either prepare to receive the next data transaction by repeating the above sequence, or initiate the status stage through the EPOSTATUS task. Until then, further incoming OUT +DATA transactions get a NAK response by the device.

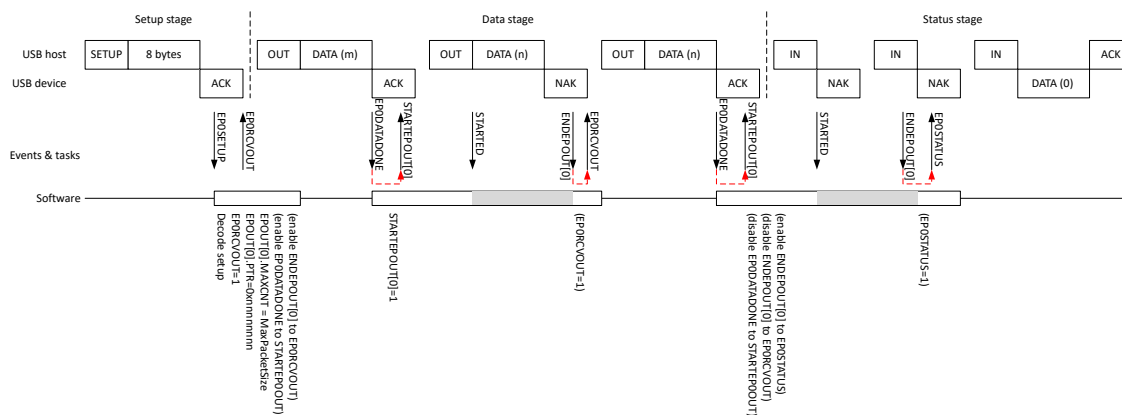


Figure 201: Control write transfer

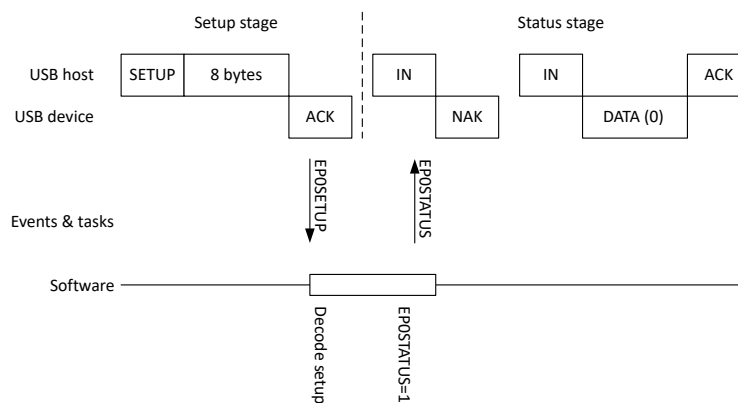


Figure 202: Control write no data transfer

### 6.35.10 Bulk and interrupt transactions

The USB peripheral implements seven pairs of bulk/interrupt endpoints.

The bulk/interrupt endpoints have a fixed USB endpoint number, summarized in the following table.

| Bulk endpoint # | USB IN endpoint | USB OUT endpoint |
|-----------------|-----------------|------------------|
| [1]             | 0x81            | 0x01             |
| [2]             | 0x82            | 0x02             |
| [3]             | 0x83            | 0x03             |
| [4]             | 0x84            | 0x04             |
| [5]             | 0x85            | 0x05             |
| [6]             | 0x86            | 0x06             |
| [7]             | 0x87            | 0x07             |

Table 138: Bulk/interrupt endpoint numbering

A bulk/interrupt transaction consists of a single data stage. Two consecutive, successful transactions are distinguished through alternating leading process ID (PID): DATA0 follows DATA1, DATA1 follows DATA0, etc. A repeated transaction is detected by re-using the same PID as previous transaction, i.e. DATA0 follows DATA0, or DATA1 follows DATA1.

The USB controller automatically toggles DATA0/DATA1 PIDs for every bulk/interrupt transaction.

If incoming data is corrupted (CRC does not match), the USB controller automatically prevents DATA0/DATA1 from toggling, to request the host to resend the data.

In some specific cases, the software may want to force a data toggle (usually reset) on a specific IN endpoint, or force the expected toggle on an OUT endpoint, for instance as a consequence of the host issuing **ClearFeature**, **SetInterface**, or selecting an alternate setting. Controlling the data toggle of data IN or OUT endpoint  $n$  ( $n=1..7$ ) is done through register **DTOGGLE**.

The bulk/interrupt transaction in USB full-speed can be of any size up to 64 bytes. It must be a multiple of four bytes and 32-bit aligned in memory.

When the USB transaction has completed, an EPDATA event is generated. Until new data has been transferred by EasyDMA from memory to the USB peripheral (signalled by the ENDEPIN[ $n$ ] event), the hardware will automatically respond with NAK to all incoming IN tokens. Software has to configure and start the EasyDMA transfer once it is ready to send more data.

Each IN or OUT data endpoint has to be explicitly enabled by software through register **EPINEN** or **EPOUTEN**, according to the configuration declared by the device and selected by the host through the **SetConfig** command.

A disabled data endpoint will not respond to any traffic from the host. An enabled data endpoint will normally respond NAK or ACK (depending on the readiness of the buffers), or STALL (if configured in register **EPSTALL**), in which case the endpoint is asked to halt. The halted (or not) state of a given endpoint can be read back from register HALTED.EPIN[ $n$ ] or HALTED.EPOUT[ $n$ ]. The format of the returned 16-bit value can be copied as is, as a response to a **GetStatusEndpoint** request from the host.

Enabling or disabling an endpoint will not change its halted state. However, a USB reset will disable and clear the halted state of all data endpoints.

The control endpoint 0 IN and OUT can also be enabled and/or halted using the same mechanisms, but due to USB specification, receiving a SETUP will override its state.

### 6.35.10.1 Bulk and interrupt IN transaction

The host issues IN tokens to receive bulk/interrupt data. In order to send data, the software has to enable the endpoint and prepare an EasyDMA transfer on the desired endpoint.

Bulk/interrupt IN endpoints are enabled or disabled through their respective IN $n$  bit ( $n=1..7$ ) in **EPINEN** register.

It is also possible to stall or resume communication on an endpoint through the **EPSTALL** register.

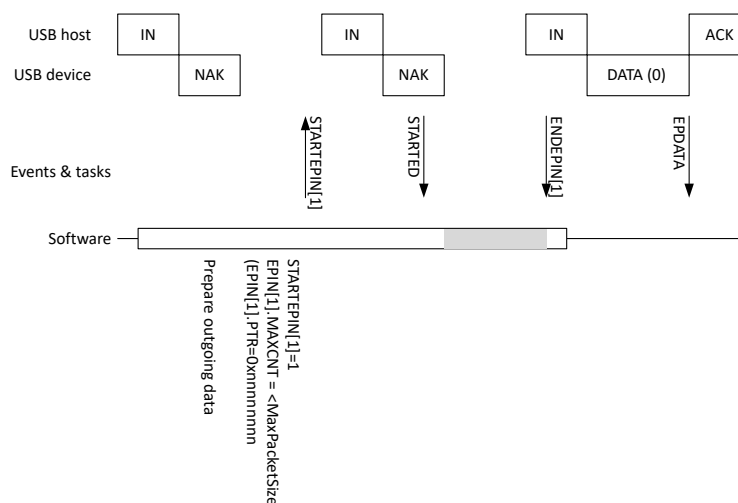


Figure 203: Bulk/interrupt IN transaction

It is possible (and in some situations it is required) to respond to an IN token with a zero-length data packet.

**Note:** On many USB hosts, not responding (DATA+ACK or NAK) to three IN tokens on an interrupt endpoint would have the host disable that endpoint as a consequence. Re-enumerating the device (unplug-replug) may be required to restore functionality. Make sure that the relevant data endpoints are enabled for normal operation as soon as the device gets configured through a **SetConfig** request.

### 6.35.10.2 Bulk and interrupt OUT transaction

When the host wants to transmit bulk/interrupt data, it issues an OUT token (packet) followed by a DATA packet on a given endpoint  $n$  ( $n=1..7$ ).

A NAK is returned until the software writes any value to register `SIZE.EPOUT[n]`, indicating that the content of the local buffer can be overwritten. Upon receiving the next OUT+DATA transaction, an ACK is returned to the host while an `EPDATA` event is generated (and the `EPDATASTATUS` register flags are set to indicate on which endpoint this happened). Once the EasyDMA is prepared and enabled, by writing the `EPOUT[n]` registers and triggering the `STARTEPOUT[n]` task, the incoming data will be transferred to memory. Until that transfer is finished, the hardware will automatically NAK any other incoming OUT+DATA packets. Only when the EasyDMA transfer is done (signalled by the `ENDEPOUT[n]` event), or as soon as any values are written by the software in register `SIZE.EPOUT[n]`, the endpoint  $n$  will accept incoming OUT+DATA again.

It is allowed for the host to send zero-length data packets.

Bulk/interrupt OUT endpoints are enabled or disabled through their respective `OUTn` bit ( $n=1..7$ ) in the `EPOUTEN` register. It is also possible to stall or resume communication on an endpoint through the `EPSTALL` register.

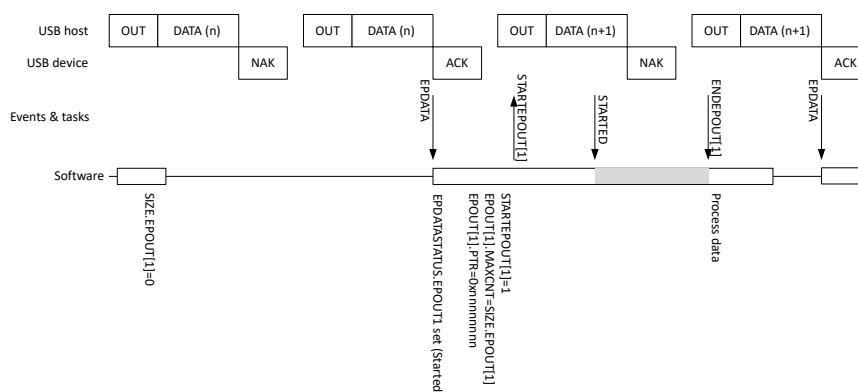


Figure 204: Bulk/interrupt OUT transaction

### 6.35.11 Isochronous transactions

The USB D peripheral implements isochronous (ISO) endpoints.

The ISO endpoints have a fixed USB endpoint number, summarized in the following table.

| ISO endpoint # | USB IN endpoint | USB OUT endpoint |
|----------------|-----------------|------------------|
| [0]            | 0x88            | 0x08             |

Table 139: Isochronous endpoint numbering

An isochronous transaction consists of a single, non-acknowledged data stage. The host sends out a start of frame at a regular interval (1 ms), and data follows IN or OUT tokens within each frame.

EasyDMA allows transferring ISO data directly from and to memory. EasyDMA transfers must be initiated by the software, which can synchronize with the SOF (start of frame) events.

Because the timing of the start of frame is very accurate, the SOF event can be used for jobs such as synchronizing a local timer through the SOF event and PPI. The SOF event gets synchronized to the 16 MHz clock prior to being made available to the PPI.

Every start of frame increments a free-running counter, which can be read by software through the `FRAMECNTR` register.

Each IN or OUT ISO data endpoint has to be explicitly enabled by software through register `EPINEN` or `EPOUTEN`, according to the configuration declared by the device and selected by the host through the `SetConfig` command. A disabled ISO IN data endpoint will not respond to any traffic from the host. A disabled ISO OUT data endpoint will ignore any incoming traffic from the host.

The USB peripheral has an internal 1 kB buffer associated with ISO endpoints. The user can either allocate the full amount to the IN or the OUT endpoint, or split the buffer allocation between the two using register `ISOSPLIT`.

The internal buffer also sets the maximum size of the ISO OUT and ISO IN transfers: 1023 bytes when the full buffer is dedicated to either ISO OUT or ISO IN, and half when the buffer is split between the two.

### 6.35.11.1 Isochronous IN transaction

When the host wants to receive isochronous (ISO) data, it issues an IN token on the isochronous endpoint.

After the data has been transferred using the EasyDMA, the USB controller on the isochronous IN endpoint responds to the IN token with the transferred data using the `ISOIN.MAXCNT` for the size of the packet.

The ISO IN data endpoint has to be explicitly enabled by software through the `ISOIN0` bit in register `EPINEN`.

When an ISO IN endpoint is enabled and no data transferred with EasyDMA, the response of the USB peripheral depends on the setting of the `RESPONSE` field in register `ISOINCONFIG`. It can either provide no response to an IN token or respond with a zero-length data.

If the EasyDMA transfer on the isochronous endpoint is not completed before the next SOF event, the result of the transfer is undefined.

The maximum size of an ISO IN transfer in USB full-speed is 1023 bytes. The data buffer has to be a multiple of 4 bytes 32-bit aligned in memory. However, the amount of bytes transferred on the USB data endpoint can be of any size (up to 1023 bytes, if not shared with an OUT ISO endpoint).

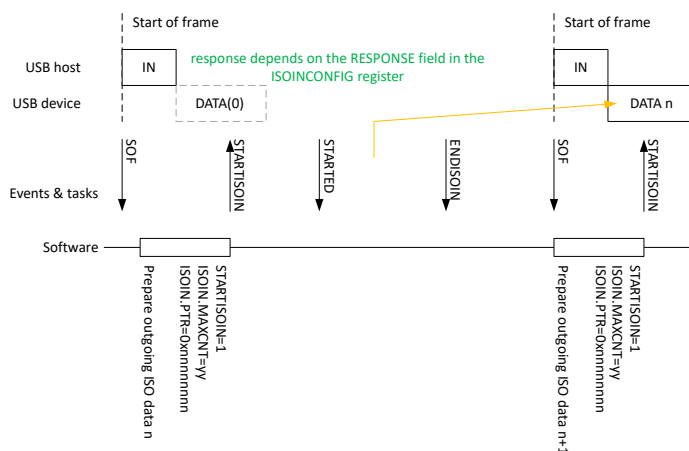


Figure 205: Isochronous IN transfer

### 6.35.11.2 Isochronous OUT transaction

When the host wants to send isochronous (ISO) data, it issues an OUT token on the isochronous endpoint, followed by data.

The ISO OUT data endpoint has to be explicitly enabled by software through the ISOOUT0 bit in register **EPOUTEN**.

The amount of last received ISO OUT data is provided in the **SIZE.ISOOUT** register. Software shall interpret the ZERO and SIZE fields as presented in the following table.

| ZERO     | SIZE              | Last received data size          |
|----------|-------------------|----------------------------------|
| Normal   | 0                 | No data received at all          |
| Normal   | 1..1023           | 1..1023 bytes of data received   |
| ZeroData | (not of interest) | Zero-length data packet received |

Table 140: ISO OUT incoming data size

When EasyDMA is prepared and started, triggering a STARTISOOUT task initiates an EasyDMA transfer to memory. Software shall synchronize ISO OUT transfers with the SOF events. EasyDMA uses the address in **ISOOUT.PTR** and size in **ISOOUT.MAXCNT** for every new transfer.

If the EasyDMA transfer on the isochronous endpoint is not completed before the next SOF event, the result of the transfer is undefined.

The maximum size of an isochronous OUT transfer in USB full-speed is 1023 bytes. The data buffer has to be a multiple of 4 bytes and 32-bit aligned in Data RAM. However, the amount of bytes transferred on the USB data endpoint can be of any size (up to 1023 bytes if not shared with an IN ISO endpoint).

If the last received ISO data packet is corrupted (wrong CRC), the USB controller generates an USBEVENT event (at the same time as SOF) and indicates a CRC error on ISOOUTCRC in register **EVENTCAUSE**. EasyDMA will transfer the data anyway if it has been set up properly.

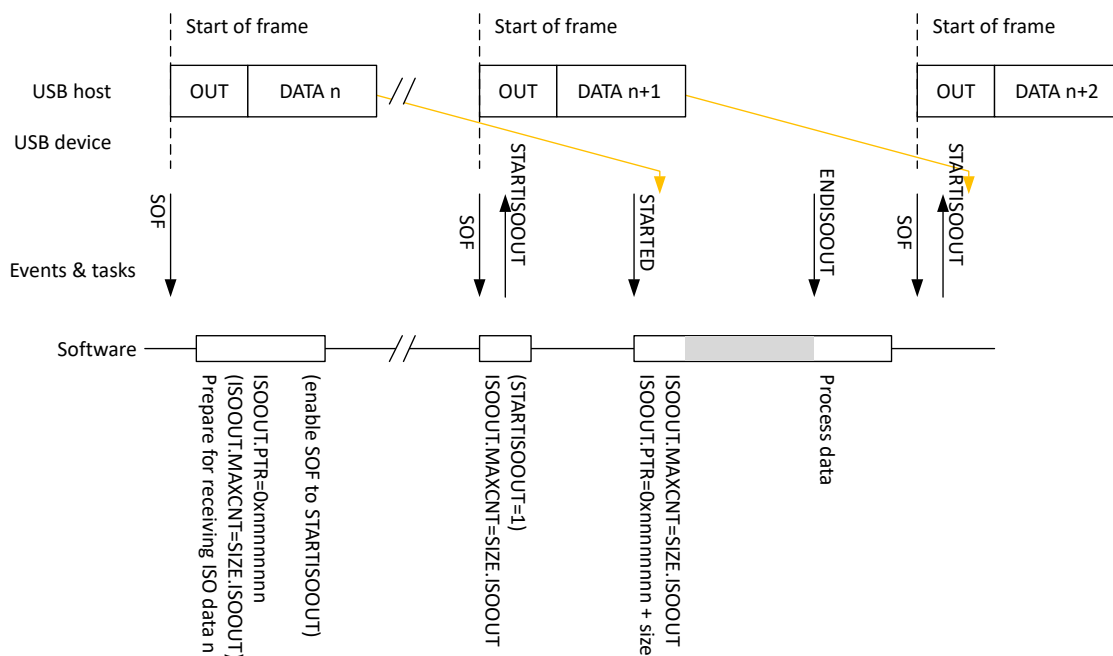


Figure 206: Isochronous OUT transfer

### 6.35.12 USB register access limitations

Some of the registers in USBD cannot be accessed in specific conditions.

This may be the case when USBD is not enabled (using the **ENABLE** register) and ready (signalled by the **READY** bit in **EVENTCAUSE** after a **USBEVENT** event), or when USBD is in low power mode while the USB bus is suspended.

Triggering any tasks, including the tasks triggered through the PPI, is affected by this behavior. In addition, the following registers are affected:

- HALTED.EPIN[0..7]
- HALTED.EPOUT[0..7]
- USBADDR
- BMREQUESTTYPE
- BREQUEST
- WVALUEL
- WVALUEH
- WINDEXL
- WINDEXH
- WLENGTHL
- WLENGTHH
- SIZE.EPOUT[0..7]
- SIZE.ISOOUT
- USBPULLUP
- DTOGGLE
- EPINEN
- EPOUTEN
- EPSTALL
- ISOSPLIT
- FRAMECNTR

### 6.35.13 Registers

| Base address | Peripheral | Instance | Description                 | Configuration |
|--------------|------------|----------|-----------------------------|---------------|
| 0x40027000   | USB        | USB      | Universal serial bus device |               |

Table 141: Instances

| Register           | Offset | Description   |
|--------------------|--------|---|
| TASKS_STARTEPIN[0] | 0x004  | Captures the EPIN[0].PTR and EPIN[0].MAXCNT registers values, and enables endpoint IN 0 to respond to traffic from host |
| TASKS_STARTEPIN[1] | 0x008  | Captures the EPIN[1].PTR and EPIN[1].MAXCNT registers values, and enables endpoint IN 1 to respond to traffic from host |
| TASKS_STARTEPIN[2] | 0x00C  | Captures the EPIN[2].PTR and EPIN[2].MAXCNT registers values, and enables endpoint IN 2 to respond to traffic from host |
| TASKS_STARTEPIN[3] | 0x010  | Captures the EPIN[3].PTR and EPIN[3].MAXCNT registers values, and enables endpoint IN 3 to respond to traffic from host |
| TASKS_STARTEPIN[4] | 0x014  | Captures the EPIN[4].PTR and EPIN[4].MAXCNT registers values, and enables endpoint IN 4 to respond to traffic from host |
| TASKS_STARTEPIN[5] | 0x018  | Captures the EPIN[5].PTR and EPIN[5].MAXCNT registers values, and enables endpoint IN 5 to respond to traffic from host |

| Register            | Offset | Description   |
|---------------------|--------|---|
| TASKS_STARTEPIN[6]  | 0x01C  | Captures the EPIN[6].PTR and EPIN[6].MAXCNT registers values, and enables endpoint IN 6 to respond to traffic from host   |
| TASKS_STARTEPIN[7]  | 0x020  | Captures the EPIN[7].PTR and EPIN[7].MAXCNT registers values, and enables endpoint IN 7 to respond to traffic from host   |
| TASKS_STARTISOIN    | 0x024  | Captures the ISOIN.PTR and ISOIN.MAXCNT registers values, and enables sending data on ISO endpoint  |
| TASKS_STARTEPOUT[0] | 0x028  | Captures the EPOUT[0].PTR and EPOUT[0].MAXCNT registers values, and enables endpoint 0 to respond to traffic from host  |
| TASKS_STARTEPOUT[1] | 0x02C  | Captures the EPOUT[1].PTR and EPOUT[1].MAXCNT registers values, and enables endpoint 1 to respond to traffic from host  |
| TASKS_STARTEPOUT[2] | 0x030  | Captures the EPOUT[2].PTR and EPOUT[2].MAXCNT registers values, and enables endpoint 2 to respond to traffic from host  |
| TASKS_STARTEPOUT[3] | 0x034  | Captures the EPOUT[3].PTR and EPOUT[3].MAXCNT registers values, and enables endpoint 3 to respond to traffic from host  |
| TASKS_STARTEPOUT[4] | 0x038  | Captures the EPOUT[4].PTR and EPOUT[4].MAXCNT registers values, and enables endpoint 4 to respond to traffic from host  |
| TASKS_STARTEPOUT[5] | 0x03C  | Captures the EPOUT[5].PTR and EPOUT[5].MAXCNT registers values, and enables endpoint 5 to respond to traffic from host  |
| TASKS_STARTEPOUT[6] | 0x040  | Captures the EPOUT[6].PTR and EPOUT[6].MAXCNT registers values, and enables endpoint 6 to respond to traffic from host  |
| TASKS_STARTEPOUT[7] | 0x044  | Captures the EPOUT[7].PTR and EPOUT[7].MAXCNT registers values, and enables endpoint 7 to respond to traffic from host  |
| TASKS_STARTISOOUT   | 0x048  | Captures the ISOOUT.PTR and ISOOUT.MAXCNT registers values, and enables receiving of data on ISO endpoint   |
| TASKS_EPORCVOUT     | 0x04C  | Allows OUT data stage on control endpoint 0   |
| TASKS_EPOSTATUS     | 0x050  | Allows status stage on control endpoint 0   |
| TASKS_EPOSTALL      | 0x054  | Stalls data and status stage on control endpoint 0  |
| TASKS_DPDMDRIVE     | 0x058  | Forces D+ and D- lines into the state defined in the DPDMVALUE register   |
| TASKS_DPDMNODRIVE   | 0x05C  | Stops forcing D+ and D- lines into any state (USB engine takes control)   |
| EVENTS_USBRESET     | 0x100  | Signals that a USB reset condition has been detected on USB lines   |
| EVENTS_STARTED      | 0x104  | Confirms that the EPIN[n].PTR and EPIN[n].MAXCNT, or EPOUT[n].PTR and EPOUT[n].MAXCNT registers have been captured on all endpoints reported in the EPSTATUS register |
| EVENTS_ENDEPIN[0]   | 0x108  | The whole EPIN[0] buffer has been consumed. The buffer can be accessed safely by software.  |
| EVENTS_ENDEPIN[1]   | 0x10C  | The whole EPIN[1] buffer has been consumed. The buffer can be accessed safely by software.  |
| EVENTS_ENDEPIN[2]   | 0x110  | The whole EPIN[2] buffer has been consumed. The buffer can be accessed safely by software.  |
| EVENTS_ENDEPIN[3]   | 0x114  | The whole EPIN[3] buffer has been consumed. The buffer can be accessed safely by software.  |
| EVENTS_ENDEPIN[4]   | 0x118  | The whole EPIN[4] buffer has been consumed. The buffer can be accessed safely by software.  |
| EVENTS_ENDEPIN[5]   | 0x11C  | The whole EPIN[5] buffer has been consumed. The buffer can be accessed safely by software.  |
| EVENTS_ENDEPIN[6]   | 0x120  | The whole EPIN[6] buffer has been consumed. The buffer can be accessed safely by software.  |
| EVENTS_ENDEPIN[7]   | 0x124  | The whole EPIN[7] buffer has been consumed. The buffer can be accessed safely by software.  |
| EVENTS_EPODATADONE  | 0x128  | An acknowledged data transfer has taken place on the control endpoint   |
| EVENTS_ENDISOIN     | 0x12C  | The whole ISOIN buffer has been consumed. The buffer can be accessed safely by software.  |
| EVENTS_ENDEPOUT[0]  | 0x130  | The whole EPOUT[0] buffer has been consumed. The buffer can be accessed safely by software.   |
| EVENTS_ENDEPOUT[1]  | 0x134  | The whole EPOUT[1] buffer has been consumed. The buffer can be accessed safely by software.   |
| EVENTS_ENDEPOUT[2]  | 0x138  | The whole EPOUT[2] buffer has been consumed. The buffer can be accessed safely by software.   |
| EVENTS_ENDEPOUT[3]  | 0x13C  | The whole EPOUT[3] buffer has been consumed. The buffer can be accessed safely by software.   |
| EVENTS_ENDEPOUT[4]  | 0x140  | The whole EPOUT[4] buffer has been consumed. The buffer can be accessed safely by software.   |



| Register           | Offset | Description  |
|--------------------|--------|--|
| EVENTS_ENDEPOUT[5] | 0x144  | The whole EPOUT[5] buffer has been consumed. The buffer can be accessed safely by software.                    |
| EVENTS_ENDEPOUT[6] | 0x148  | The whole EPOUT[6] buffer has been consumed. The buffer can be accessed safely by software.                    |
| EVENTS_ENDEPOUT[7] | 0x14C  | The whole EPOUT[7] buffer has been consumed. The buffer can be accessed safely by software.                    |
| EVENTS_ENDISOOUT   | 0x150  | The whole ISOOUT buffer has been consumed. The buffer can be accessed safely by software.                      |
| EVENTS_SOF         | 0x154  | Signals that a SOF (start of frame) condition has been detected on USB lines                                   |
| EVENTS_USBEVENT    | 0x158  | An event or an error not covered by specific events has occurred. Check EVENTCAUSE register to find the cause. |
| EVENTS_EPOSETUP    | 0x15C  | A valid SETUP token has been received (and acknowledged) on the control endpoint                               |
| EVENTS_EPDATA      | 0x160  | A data transfer has occurred on a data endpoint, indicated by the EPDATASTATUS register                        |
| SHORTS             | 0x200  | Shortcuts between local events and tasks   |
| INTEN              | 0x300  | Enable or disable interrupt  |
| INTENSET           | 0x304  | Enable interrupt   |
| INTENCLR           | 0x308  | Disable interrupt  |
| EVENTCAUSE         | 0x400  | Details on what caused the USBEVENT event  |
| HALTED.EPIN[0]     | 0x420  | IN endpoint halted status. Can be used as is as response to a GetStatus() request to endpoint.                 |
| HALTED.EPIN[1]     | 0x424  | IN endpoint halted status. Can be used as is as response to a GetStatus() request to endpoint.                 |
| HALTED.EPIN[2]     | 0x428  | IN endpoint halted status. Can be used as is as response to a GetStatus() request to endpoint.                 |
| HALTED.EPIN[3]     | 0x42C  | IN endpoint halted status. Can be used as is as response to a GetStatus() request to endpoint.                 |
| HALTED.EPIN[4]     | 0x430  | IN endpoint halted status. Can be used as is as response to a GetStatus() request to endpoint.                 |
| HALTED.EPIN[5]     | 0x434  | IN endpoint halted status. Can be used as is as response to a GetStatus() request to endpoint.                 |
| HALTED.EPIN[6]     | 0x438  | IN endpoint halted status. Can be used as is as response to a GetStatus() request to endpoint.                 |
| HALTED.EPIN[7]     | 0x43C  | IN endpoint halted status. Can be used as is as response to a GetStatus() request to endpoint.                 |
| HALTED.EPOUT[0]    | 0x444  | OUT endpoint halted status. Can be used as is as response to a GetStatus() request to endpoint.                |
| HALTED.EPOUT[1]    | 0x448  | OUT endpoint halted status. Can be used as is as response to a GetStatus() request to endpoint.                |
| HALTED.EPOUT[2]    | 0x44C  | OUT endpoint halted status. Can be used as is as response to a GetStatus() request to endpoint.                |
| HALTED.EPOUT[3]    | 0x450  | OUT endpoint halted status. Can be used as is as response to a GetStatus() request to endpoint.                |
| HALTED.EPOUT[4]    | 0x454  | OUT endpoint halted status. Can be used as is as response to a GetStatus() request to endpoint.                |
| HALTED.EPOUT[5]    | 0x458  | OUT endpoint halted status. Can be used as is as response to a GetStatus() request to endpoint.                |
| HALTED.EPOUT[6]    | 0x45C  | OUT endpoint halted status. Can be used as is as response to a GetStatus() request to endpoint.                |
| HALTED.EPOUT[7]    | 0x460  | OUT endpoint halted status. Can be used as is as response to a GetStatus() request to endpoint.                |
| EPSTATUS           | 0x468  | Provides information on which endpoint's EasyDMA registers have been captured                                  |
| EPDATASTATUS       | 0x46C  | Provides information on which endpoint(s) an acknowledged data transfer has occurred (EPDATA event)            |
| USBADDR            | 0x470  | Device USB address   |
| BMREQUESTTYPE      | 0x480  | SETUP data, byte 0, bmRequestType  |
| BREQUEST           | 0x484  | SETUP data, byte 1, bRequest   |
| WVALUEL            | 0x488  | SETUP data, byte 2, LSB of wValue  |
| WVALUEH            | 0x48C  | SETUP data, byte 3, MSB of wValue  |
| WINDEXL            | 0x490  | SETUP data, byte 4, LSB of wIndex  |
| WINDEXH            | 0x494  | SETUP data, byte 5, MSB of wIndex  |
| WLENGTHL           | 0x498  | SETUP data, byte 6, LSB of wLength   |
| WLENGTHH           | 0x49C  | SETUP data, byte 7, MSB of wLength   |

| Register        | Offset | Description  |
|-----------------|--------|--|
| SIZE.EPOUT[0]   | 0x4A0  | Number of bytes received last in the data stage of this OUT endpoint   |
| SIZE.EPOUT[1]   | 0x4A4  | Number of bytes received last in the data stage of this OUT endpoint   |
| SIZE.EPOUT[2]   | 0x4A8  | Number of bytes received last in the data stage of this OUT endpoint   |
| SIZE.EPOUT[3]   | 0x4AC  | Number of bytes received last in the data stage of this OUT endpoint   |
| SIZE.EPOUT[4]   | 0x4B0  | Number of bytes received last in the data stage of this OUT endpoint   |
| SIZE.EPOUT[5]   | 0x4B4  | Number of bytes received last in the data stage of this OUT endpoint   |
| SIZE.EPOUT[6]   | 0x4B8  | Number of bytes received last in the data stage of this OUT endpoint   |
| SIZE.EPOUT[7]   | 0x4BC  | Number of bytes received last in the data stage of this OUT endpoint   |
| SIZE.ISOOUT     | 0x4C0  | Number of bytes received last on this ISO OUT data endpoint  |
| ENABLE          | 0x500  | Enable USB   |
| USBPULLUP       | 0x504  | Control of the USB pull-up   |
| DPDMVALUE       | 0x508  | State D+ and D- lines will be forced into by the DPDMDRIVE task. The DPDMNODRIVE task reverts the control of the lines to MAC IP (no forcing). |
| DTOGGLE         | 0x50C  | Data toggle control and status   |
| EPINEN          | 0x510  | Endpoint IN enable   |
| EPOUTEN         | 0x514  | Endpoint OUT enable  |
| EPSTALL         | 0x518  | STALL endpoints  |
| ISOSPLIT        | 0x51C  | Controls the split of ISO buffers  |
| FRAMECNTR       | 0x520  | Returns the current value of the start of frame counter  |
| LOWPOWER        | 0x52C  | Controls USB peripheral low power mode during USB suspend  |
| ISOINCONFIG     | 0x530  | Controls the response of the ISO IN endpoint to an IN token when no data is ready to be sent   |
| EPIN[0].PTR     | 0x600  | Data pointer   |
| EPIN[0].MAXCNT  | 0x604  | Maximum number of bytes to transfer  |
| EPIN[0].AMOUNT  | 0x608  | Number of bytes transferred in the last transaction  |
| EPIN[1].PTR     | 0x614  | Data pointer   |
| EPIN[1].MAXCNT  | 0x618  | Maximum number of bytes to transfer  |
| EPIN[1].AMOUNT  | 0x61C  | Number of bytes transferred in the last transaction  |
| EPIN[2].PTR     | 0x628  | Data pointer   |
| EPIN[2].MAXCNT  | 0x62C  | Maximum number of bytes to transfer  |
| EPIN[2].AMOUNT  | 0x630  | Number of bytes transferred in the last transaction  |
| EPIN[3].PTR     | 0x63C  | Data pointer   |
| EPIN[3].MAXCNT  | 0x640  | Maximum number of bytes to transfer  |
| EPIN[3].AMOUNT  | 0x644  | Number of bytes transferred in the last transaction  |
| EPIN[4].PTR     | 0x650  | Data pointer   |
| EPIN[4].MAXCNT  | 0x654  | Maximum number of bytes to transfer  |
| EPIN[4].AMOUNT  | 0x658  | Number of bytes transferred in the last transaction  |
| EPIN[5].PTR     | 0x664  | Data pointer   |
| EPIN[5].MAXCNT  | 0x668  | Maximum number of bytes to transfer  |
| EPIN[5].AMOUNT  | 0x66C  | Number of bytes transferred in the last transaction  |
| EPIN[6].PTR     | 0x678  | Data pointer   |
| EPIN[6].MAXCNT  | 0x67C  | Maximum number of bytes to transfer  |
| EPIN[6].AMOUNT  | 0x680  | Number of bytes transferred in the last transaction  |
| EPIN[7].PTR     | 0x68C  | Data pointer   |
| EPIN[7].MAXCNT  | 0x690  | Maximum number of bytes to transfer  |
| EPIN[7].AMOUNT  | 0x694  | Number of bytes transferred in the last transaction  |
| ISOIN.PTR       | 0x6A0  | Data pointer   |
| ISOIN.MAXCNT    | 0x6A4  | Maximum number of bytes to transfer  |
| ISOIN.AMOUNT    | 0x6A8  | Number of bytes transferred in the last transaction  |
| EPOUT[0].PTR    | 0x700  | Data pointer   |
| EPOUT[0].MAXCNT | 0x704  | Maximum number of bytes to transfer  |
| EPOUT[0].AMOUNT | 0x708  | Number of bytes transferred in the last transaction  |
| EPOUT[1].PTR    | 0x714  | Data pointer   |
| EPOUT[1].MAXCNT | 0x718  | Maximum number of bytes to transfer  |

| Register        | Offset | Description   |
|-----------------|--------|---|
| EPOUT[1].AMOUNT | 0x71C  | Number of bytes transferred in the last transaction |
| EPOUT[2].PTR    | 0x728  | Data pointer  |
| EPOUT[2].MAXCNT | 0x72C  | Maximum number of bytes to transfer                 |
| EPOUT[2].AMOUNT | 0x730  | Number of bytes transferred in the last transaction |
| EPOUT[3].PTR    | 0x73C  | Data pointer  |
| EPOUT[3].MAXCNT | 0x740  | Maximum number of bytes to transfer                 |
| EPOUT[3].AMOUNT | 0x744  | Number of bytes transferred in the last transaction |
| EPOUT[4].PTR    | 0x750  | Data pointer  |
| EPOUT[4].MAXCNT | 0x754  | Maximum number of bytes to transfer                 |
| EPOUT[4].AMOUNT | 0x758  | Number of bytes transferred in the last transaction |
| EPOUT[5].PTR    | 0x764  | Data pointer  |
| EPOUT[5].MAXCNT | 0x768  | Maximum number of bytes to transfer                 |
| EPOUT[5].AMOUNT | 0x76C  | Number of bytes transferred in the last transaction |
| EPOUT[6].PTR    | 0x778  | Data pointer  |
| EPOUT[6].MAXCNT | 0x77C  | Maximum number of bytes to transfer                 |
| EPOUT[6].AMOUNT | 0x780  | Number of bytes transferred in the last transaction |
| EPOUT[7].PTR    | 0x78C  | Data pointer  |
| EPOUT[7].MAXCNT | 0x790  | Maximum number of bytes to transfer                 |
| EPOUT[7].AMOUNT | 0x794  | Number of bytes transferred in the last transaction |
| ISOOUT.PTR      | 0x7A0  | Data pointer  |
| ISOOUT.MAXCNT   | 0x7A4  | Maximum number of bytes to transfer                 |
| ISOOUT.AMOUNT   | 0x7A8  | Number of bytes transferred in the last transaction |

Table 142: Register overview

### 6.35.13.1 TASKS\_STARTEPIN[n] (n=0..7)

Address offset:  $0x004 + (n \times 0x4)$

Captures the EPIN[n].PTR and EPIN[n].MAXCNT registers values, and enables endpoint IN n to respond to traffic from host

| Bit number       | 31 30 29 28 27 26 25 24 23 22 21 20 19 18 17 16 15 14 13 12 11 10 9 8 7 6 5 4 3 2 1 0 |                 |          |       |   |  |  |  |  |  |  |  |  |  |  |  |  |  |  |  |  |  |  |  |  |  |  |  |  |  |  |
|------------------|---|-----------------|----------|-------|---|--|--|--|--|--|--|--|--|--|--|--|--|--|--|--|--|--|--|--|--|--|--|--|--|--|--|
| ID               | A   |                 |          |       |   |  |  |  |  |  |  |  |  |  |  |  |  |  |  |  |  |  |  |  |  |  |  |  |  |  |  |
| Reset 0x00000000 | 0             |                 |          |       |   |  |  |  |  |  |  |  |  |  |  |  |  |  |  |  |  |  |  |  |  |  |  |  |  |  |  |
| ID               | Acce  | Field           | Value ID | Value | Description   |  |  |  |  |  |  |  |  |  |  |  |  |  |  |  |  |  |  |  |  |  |  |  |  |  |  |
| A                | W   | TASKS_STARTEPIN |          |       | Captures the EPIN[n].PTR and EPIN[n].MAXCNT registers values, and enables endpoint IN n to respond to traffic from host |  |  |  |  |  |  |  |  |  |  |  |  |  |  |  |  |  |  |  |  |  |  |  |  |  |  |
|                  |   |                 | Trigger  | 1     | Trigger task  |  |  |  |  |  |  |  |  |  |  |  |  |  |  |  |  |  |  |  |  |  |  |  |  |  |  |

### 6.35.13.2 TASKS\_STARTISOIN

Address offset: 0x024

Captures the ISOIN.PTR and ISOIN.MAXCNT registers values, and enables sending data on ISO endpoint

| Bit number       | 31  | 30               | 29       | 28    | 27   | 26 | 25 | 24 | 23 | 22 | 21 | 20 | 19 | 18 | 17 | 16 | 15 | 14 | 13 | 12 | 11 | 10 | 9 | 8 | 7 | 6 | 5 | 4 | 3 | 2 | 1 | 0 |
|------------------|---|------------------|----------|-------|--|----|----|----|----|----|----|----|----|----|----|----|----|----|----|----|----|----|---|---|---|---|---|---|---|---|---|---|
| ID               |   |                  |          |       |  |    |    |    |    |    |    |    |    |    |    |    |    |    |    |    |    |    |   |   |   |   |   |   |   |   |   | A |
| Reset 0x00000000 | 0 |                  |          |       |  |    |    |    |    |    |    |    |    |    |    |    |    |    |    |    |    |    |   |   |   |   |   |   |   |   |   |   |
| ID               | Acce  | Field            | Value ID | Value | Description  |    |    |    |    |    |    |    |    |    |    |    |    |    |    |    |    |    |   |   |   |   |   |   |   |   |   |   |
| A                | W   | TASKS_STARTISOIN |          |       | Captures the ISOIN.PTR and ISOIN.MAXCNT registers values, and enables sending data on ISO endpoint |    |    |    |    |    |    |    |    |    |    |    |    |    |    |    |    |    |   |   |   |   |   |   |   |   |   |   |
|                  |   |                  | Trigger  | 1     | Trigger task   |    |    |    |    |    |    |    |    |    |    |    |    |    |    |    |    |    |   |   |   |   |   |   |   |   |   |   |

### 6.35.13.3 TASKS\_STARTEPOUT[n] (n=0..7)

Address offset: 0x028 + (n × 0x4)

Captures the EPOUT[n].PTR and EPOUT[n].MAXCNT registers values, and enables endpoint n to respond to traffic from host

| Bit number       | 31  | 30               | 29       | 28    | 27   | 26 | 25 | 24 | 23 | 22 | 21 | 20 | 19 | 18 | 17 | 16 | 15 | 14 | 13 | 12 | 11 | 10 | 9 | 8 | 7 | 6 | 5 | 4 | 3 | 2 | 1 | 0 |
|------------------|---|------------------|----------|-------|--|----|----|----|----|----|----|----|----|----|----|----|----|----|----|----|----|----|---|---|---|---|---|---|---|---|---|---|
| ID               |   |                  |          |       |  |    |    |    |    |    |    |    |    |    |    |    |    |    |    |    |    |    |   |   |   |   |   |   |   |   |   | A |
| Reset 0x00000000 | 0 |                  |          |       |  |    |    |    |    |    |    |    |    |    |    |    |    |    |    |    |    |    |   |   |   |   |   |   |   |   |   |   |
| ID               | Acce  | Field            | Value ID | Value | Description  |    |    |    |    |    |    |    |    |    |    |    |    |    |    |    |    |    |   |   |   |   |   |   |   |   |   |   |
| A                | W   | TASKS_STARTEPOUT |          |       | Captures the EPOUT[n].PTR and EPOUT[n].MAXCNT registers values, and enables endpoint n to respond to traffic from host |    |    |    |    |    |    |    |    |    |    |    |    |    |    |    |    |    |   |   |   |   |   |   |   |   |   |   |
|                  |   |                  | Trigger  | 1     | Trigger task   |    |    |    |    |    |    |    |    |    |    |    |    |    |    |    |    |    |   |   |   |   |   |   |   |   |   |   |

### 6.35.13.4 TASKS\_STARTISOOUT

Address offset: 0x048

Captures the ISOOUT.PTR and ISOOUT.MAXCNT registers values, and enables receiving of data on ISO endpoint

| Bit number       | 31  | 30                | 29       | 28    | 27  | 26 | 25 | 24 | 23 | 22 | 21 | 20 | 19 | 18 | 17 | 16 | 15 | 14 | 13 | 12 | 11 | 10 | 9 | 8 | 7 | 6 | 5 | 4 | 3 | 2 | 1 | 0 |
|------------------|---|-------------------|----------|-------|---|----|----|----|----|----|----|----|----|----|----|----|----|----|----|----|----|----|---|---|---|---|---|---|---|---|---|---|
| ID               |   |                   |          |       |   |    |    |    |    |    |    |    |    |    |    |    |    |    |    |    |    |    |   |   |   |   |   |   |   |   |   | A |
| Reset 0x00000000 | 0 |                   |          |       |   |    |    |    |    |    |    |    |    |    |    |    |    |    |    |    |    |    |   |   |   |   |   |   |   |   |   |   |
| ID               | Acce  | Field             | Value ID | Value | Description   |    |    |    |    |    |    |    |    |    |    |    |    |    |    |    |    |    |   |   |   |   |   |   |   |   |   |   |
| A                | W   | TASKS_STARTISOOUT |          |       | Captures the ISOOUT.PTR and ISOOUT.MAXCNT registers values, and enables receiving of data on ISO endpoint |    |    |    |    |    |    |    |    |    |    |    |    |    |    |    |    |    |   |   |   |   |   |   |   |   |   |   |
|                  |   |                   | Trigger  | 1     | Trigger task  |    |    |    |    |    |    |    |    |    |    |    |    |    |    |    |    |    |   |   |   |   |   |   |   |   |   |   |

### 6.35.13.5 TASKS\_EPORCVOUT

Address offset: 0x04C

Allows OUT data stage on control endpoint 0

| Bit number       | 31  | 30              | 29       | 28    | 27  | 26 | 25 | 24 | 23 | 22 | 21 | 20 | 19 | 18 | 17 | 16 | 15 | 14 | 13 | 12 | 11 | 10 | 9 | 8 | 7 | 6 | 5 | 4 | 3 | 2 | 1 | 0 |
|------------------|---|-----------------|----------|-------|---|----|----|----|----|----|----|----|----|----|----|----|----|----|----|----|----|----|---|---|---|---|---|---|---|---|---|---|
| ID               |   |                 |          |       |   |    |    |    |    |    |    |    |    |    |    |    |    |    |    |    |    |    |   |   |   |   |   |   |   |   |   | A |
| Reset 0x00000000 | 0 |                 |          |       |   |    |    |    |    |    |    |    |    |    |    |    |    |    |    |    |    |    |   |   |   |   |   |   |   |   |   |   |
| ID               | Acce  | Field           | Value ID | Value | Description                                 |    |    |    |    |    |    |    |    |    |    |    |    |    |    |    |    |    |   |   |   |   |   |   |   |   |   |   |
| A                | W   | TASKS_EPORCVOUT |          |       | Allows OUT data stage on control endpoint 0 |    |    |    |    |    |    |    |    |    |    |    |    |    |    |    |    |    |   |   |   |   |   |   |   |   |   |   |
|                  |   |                 | Trigger  | 1     | Trigger task                                |    |    |    |    |    |    |    |    |    |    |    |    |    |    |    |    |    |   |   |   |   |   |   |   |   |   |   |

### 6.35.13.6 TASKS\_EPOSTATUS

Address offset: 0x050

Allows status stage on control endpoint 0

| Bit number       | 31  | 30       | 29    | 28  | 27 | 26 | 25 | 24 | 23 | 22 | 21 | 20 | 19 | 18 | 17 | 16 | 15 | 14 | 13 | 12 | 11 | 10 | 9 | 8 | 7 | 6 | 5 | 4 | 3 | 2 | 1 | 0 |
|------------------|---|----------|-------|---|----|----|----|----|----|----|----|----|----|----|----|----|----|----|----|----|----|----|---|---|---|---|---|---|---|---|---|---|
| ID               |   |          |       |   |    |    |    |    |    |    |    |    |    |    |    |    |    |    |    |    |    |    |   |   |   |   |   |   |   |   |   | A |
| Reset 0x00000000 | 0 |          |       |   |    |    |    |    |    |    |    |    |    |    |    |    |    |    |    |    |    |    |   |   |   |   |   |   |   |   |   |   |
| ID               | Acce Field  | Value ID | Value | Description                               |    |    |    |    |    |    |    |    |    |    |    |    |    |    |    |    |    |    |   |   |   |   |   |   |   |   |   |   |
| A                | W TASKS_EPOSTATUS   |          |       | Allows status stage on control endpoint 0 |    |    |    |    |    |    |    |    |    |    |    |    |    |    |    |    |    |    |   |   |   |   |   |   |   |   |   |   |
|                  |   | Trigger  | 1     | Trigger task                              |    |    |    |    |    |    |    |    |    |    |    |    |    |    |    |    |    |    |   |   |   |   |   |   |   |   |   |   |

### 6.35.13.7 TASKS\_EPOSTALL

Address offset: 0x054

Stalls data and status stage on control endpoint 0

| Bit number       | 31  | 30       | 29    | 28   | 27 | 26 | 25 | 24 | 23 | 22 | 21 | 20 | 19 | 18 | 17 | 16 | 15 | 14 | 13 | 12 | 11 | 10 | 9 | 8 | 7 | 6 | 5 | 4 | 3 | 2 | 1 | 0 |
|------------------|---|----------|-------|--|----|----|----|----|----|----|----|----|----|----|----|----|----|----|----|----|----|----|---|---|---|---|---|---|---|---|---|---|
| ID               |   |          |       |  |    |    |    |    |    |    |    |    |    |    |    |    |    |    |    |    |    |    |   |   |   |   |   |   |   |   |   | A |
| Reset 0x00000000 | 0 |          |       |  |    |    |    |    |    |    |    |    |    |    |    |    |    |    |    |    |    |    |   |   |   |   |   |   |   |   |   |   |
| ID               | Acce Field  | Value ID | Value | Description  |    |    |    |    |    |    |    |    |    |    |    |    |    |    |    |    |    |    |   |   |   |   |   |   |   |   |   |   |
| A                | W TASKS_EPOSTALL  |          |       | Stalls data and status stage on control endpoint 0 |    |    |    |    |    |    |    |    |    |    |    |    |    |    |    |    |    |    |   |   |   |   |   |   |   |   |   |   |
|                  |   | Trigger  | 1     | Trigger task                                       |    |    |    |    |    |    |    |    |    |    |    |    |    |    |    |    |    |    |   |   |   |   |   |   |   |   |   |   |

### 6.35.13.8 TASKS\_DPDMDRIVE

Address offset: 0x058

Forces D+ and D- lines into the state defined in the DPDMVALUE register

| Bit number       | 31  | 30       | 29    | 28  | 27 | 26 | 25 | 24 | 23 | 22 | 21 | 20 | 19 | 18 | 17 | 16 | 15 | 14 | 13 | 12 | 11 | 10 | 9 | 8 | 7 | 6 | 5 | 4 | 3 | 2 | 1 | 0 |
|------------------|---|----------|-------|---|----|----|----|----|----|----|----|----|----|----|----|----|----|----|----|----|----|----|---|---|---|---|---|---|---|---|---|---|
| ID               |   |          |       |   |    |    |    |    |    |    |    |    |    |    |    |    |    |    |    |    |    |    |   |   |   |   |   |   |   |   |   | A |
| Reset 0x00000000 | 0 |          |       |   |    |    |    |    |    |    |    |    |    |    |    |    |    |    |    |    |    |    |   |   |   |   |   |   |   |   |   |   |
| ID               | Acce Field  | Value ID | Value | Description   |    |    |    |    |    |    |    |    |    |    |    |    |    |    |    |    |    |    |   |   |   |   |   |   |   |   |   |   |
| A                | W TASKS_DPDMDRIVE   |          |       | Forces D+ and D- lines into the state defined in the DPDMVALUE register |    |    |    |    |    |    |    |    |    |    |    |    |    |    |    |    |    |    |   |   |   |   |   |   |   |   |   |   |
|                  |   | Trigger  | 1     | Trigger task  |    |    |    |    |    |    |    |    |    |    |    |    |    |    |    |    |    |    |   |   |   |   |   |   |   |   |   |   |

### 6.35.13.9 TASKS\_DPDMNODRIVE

Address offset: 0x05C

Stops forcing D+ and D- lines into any state (USB engine takes control)

| Bit number       | 31  | 30       | 29    | 28  | 27 | 26 | 25 | 24 | 23 | 22 | 21 | 20 | 19 | 18 | 17 | 16 | 15 | 14 | 13 | 12 | 11 | 10 | 9 | 8 | 7 | 6 | 5 | 4 | 3 | 2 | 1 | 0 |
|------------------|---|----------|-------|---|----|----|----|----|----|----|----|----|----|----|----|----|----|----|----|----|----|----|---|---|---|---|---|---|---|---|---|---|
| ID               |   |          |       |   |    |    |    |    |    |    |    |    |    |    |    |    |    |    |    |    |    |    |   |   |   |   |   |   |   |   |   | A |
| Reset 0x00000000 | 0 |          |       |   |    |    |    |    |    |    |    |    |    |    |    |    |    |    |    |    |    |    |   |   |   |   |   |   |   |   |   |   |
| ID               | Acce Field  | Value ID | Value | Description   |    |    |    |    |    |    |    |    |    |    |    |    |    |    |    |    |    |    |   |   |   |   |   |   |   |   |   |   |
| A                | W TASKS_DPDMNODRIVE   |          |       | Stops forcing D+ and D- lines into any state (USB engine takes control) |    |    |    |    |    |    |    |    |    |    |    |    |    |    |    |    |    |    |   |   |   |   |   |   |   |   |   |   |
|                  |   | Trigger  | 1     | Trigger task  |    |    |    |    |    |    |    |    |    |    |    |    |    |    |    |    |    |    |   |   |   |   |   |   |   |   |   |   |

### 6.35.13.10 EVENTS\_USBRESET

Address offset: 0x100

Signals that a USB reset condition has been detected on USB lines

| Bit number       | 31 30 29 28 27 26 25 24 23 22 21 20 19 18 17 16 15 14 13 12 11 10 9 8 7 6 5 4 3 2 1 0 |                 |       |   |  |  |  |  |  |  |  |  |  |  |  |  |  |  |  |  |  |  |  |  |  |  |  |  |  |  |  |
|------------------|---|-----------------|-------|---|--|--|--|--|--|--|--|--|--|--|--|--|--|--|--|--|--|--|--|--|--|--|--|--|--|--|--|
| ID               | A   |                 |       |   |  |  |  |  |  |  |  |  |  |  |  |  |  |  |  |  |  |  |  |  |  |  |  |  |  |  |  |
| Reset 0x00000000 | 0             |                 |       |   |  |  |  |  |  |  |  |  |  |  |  |  |  |  |  |  |  |  |  |  |  |  |  |  |  |  |  |
| ID               | Acce Field  | Value ID        | Value | Description   |  |  |  |  |  |  |  |  |  |  |  |  |  |  |  |  |  |  |  |  |  |  |  |  |  |  |  |
| A                | RW  | EVENTS_USBRESET |       | Signals that a USB reset condition has been detected on USB lines |  |  |  |  |  |  |  |  |  |  |  |  |  |  |  |  |  |  |  |  |  |  |  |  |  |  |  |
|                  |   | NotGenerated    | 0     | Event not generated   |  |  |  |  |  |  |  |  |  |  |  |  |  |  |  |  |  |  |  |  |  |  |  |  |  |  |  |
|                  |   | Generated       | 1     | Event generated   |  |  |  |  |  |  |  |  |  |  |  |  |  |  |  |  |  |  |  |  |  |  |  |  |  |  |  |

### 6.35.13.11 EVENTS\_STARTED

Address offset: 0x104

Confirms that the EPIN[n].PTR and EPIN[n].MAXCNT, or EPOUT[n].PTR and EPOUT[n].MAXCNT registers have been captured on all endpoints reported in the EPSTATUS register

| Bit number       | 31 30 29 28 27 26 25 24 23 22 21 20 19 18 17 16 15 14 13 12 11 10 9 8 7 6 5 4 3 2 1 0 |                |       |   |  |  |  |  |  |  |  |  |  |  |  |  |  |  |  |  |  |  |  |  |  |  |  |  |  |  |  |
|------------------|---|----------------|-------|---|--|--|--|--|--|--|--|--|--|--|--|--|--|--|--|--|--|--|--|--|--|--|--|--|--|--|--|
| ID               | A   |                |       |   |  |  |  |  |  |  |  |  |  |  |  |  |  |  |  |  |  |  |  |  |  |  |  |  |  |  |  |
| Reset 0x00000000 | 0             |                |       |   |  |  |  |  |  |  |  |  |  |  |  |  |  |  |  |  |  |  |  |  |  |  |  |  |  |  |  |
| ID               | Acce Field  | Value ID       | Value | Description   |  |  |  |  |  |  |  |  |  |  |  |  |  |  |  |  |  |  |  |  |  |  |  |  |  |  |  |
| A                | RW  | EVENTS_STARTED |       | Confirms that the EPIN[n].PTR and EPIN[n].MAXCNT, or EPOUT[n].PTR and EPOUT[n].MAXCNT registers have been captured on all endpoints reported in the EPSTATUS register |  |  |  |  |  |  |  |  |  |  |  |  |  |  |  |  |  |  |  |  |  |  |  |  |  |  |  |
|                  |   | NotGenerated   | 0     | Event not generated   |  |  |  |  |  |  |  |  |  |  |  |  |  |  |  |  |  |  |  |  |  |  |  |  |  |  |  |
|                  |   | Generated      | 1     | Event generated   |  |  |  |  |  |  |  |  |  |  |  |  |  |  |  |  |  |  |  |  |  |  |  |  |  |  |  |

### 6.35.13.12 EVENTS\_ENDEPIN[n] (n=0..7)

Address offset: 0x108 + (n × 0x4)

The whole EPIN[n] buffer has been consumed. The buffer can be accessed safely by software.

| Bit number       | 31 30 29 28 27 26 25 24 23 22 21 20 19 18 17 16 15 14 13 12 11 10 9 8 7 6 5 4 3 2 1 0 |                |       |  |  |  |  |  |  |  |  |  |  |  |  |  |  |  |  |  |  |  |  |  |  |  |  |  |  |  |  |
|------------------|---|----------------|-------|--|--|--|--|--|--|--|--|--|--|--|--|--|--|--|--|--|--|--|--|--|--|--|--|--|--|--|--|
| ID               | A   |                |       |  |  |  |  |  |  |  |  |  |  |  |  |  |  |  |  |  |  |  |  |  |  |  |  |  |  |  |  |
| Reset 0x00000000 | 0             |                |       |  |  |  |  |  |  |  |  |  |  |  |  |  |  |  |  |  |  |  |  |  |  |  |  |  |  |  |  |
| ID               | Acce Field  | Value ID       | Value | Description  |  |  |  |  |  |  |  |  |  |  |  |  |  |  |  |  |  |  |  |  |  |  |  |  |  |  |  |
| A                | RW  | EVENTS_ENDEPIN |       | The whole EPIN[n] buffer has been consumed. The buffer can be accessed safely by software. |  |  |  |  |  |  |  |  |  |  |  |  |  |  |  |  |  |  |  |  |  |  |  |  |  |  |  |
|                  |   | NotGenerated   | 0     | Event not generated  |  |  |  |  |  |  |  |  |  |  |  |  |  |  |  |  |  |  |  |  |  |  |  |  |  |  |  |
|                  |   | Generated      | 1     | Event generated  |  |  |  |  |  |  |  |  |  |  |  |  |  |  |  |  |  |  |  |  |  |  |  |  |  |  |  |

### 6.35.13.13 EVENTS\_EPODATADONE

Address offset: 0x128

An acknowledged data transfer has taken place on the control endpoint

| Bit number | 31 30 29 28 27 26 25 24 23 22 21 20 19 18 17 16 15 14 13 12 11 10 9 8 7 6 5 4 3 2 1 0 |                    |       |   |  |  |  |  |  |  |  |  |  |  |  |  |  |  |  |  |  |  |  |  |  |  |  |  |  |  |  |
|------------|---|--------------------|-------|---|--|--|--|--|--|--|--|--|--|--|--|--|--|--|--|--|--|--|--|--|--|--|--|--|--|--|--|
| ID         | A   |                    |       |   |  |  |  |  |  |  |  |  |  |  |  |  |  |  |  |  |  |  |  |  |  |  |  |  |  |  |  |
| Reset      | 0x00000000  |                    |       |   |  |  |  |  |  |  |  |  |  |  |  |  |  |  |  |  |  |  |  |  |  |  |  |  |  |  |  |
|            | 0                       |                    |       |   |  |  |  |  |  |  |  |  |  |  |  |  |  |  |  |  |  |  |  |  |  |  |  |  |  |  |  |
| ID         | Acce Field  | Value ID           | Value | Description   |  |  |  |  |  |  |  |  |  |  |  |  |  |  |  |  |  |  |  |  |  |  |  |  |  |  |  |
| A          | RW  | EVENTS_EPODATADONE |       | An acknowledged data transfer has taken place on the control endpoint |  |  |  |  |  |  |  |  |  |  |  |  |  |  |  |  |  |  |  |  |  |  |  |  |  |  |  |
|            |   | NotGenerated       | 0     | Event not generated   |  |  |  |  |  |  |  |  |  |  |  |  |  |  |  |  |  |  |  |  |  |  |  |  |  |  |  |
|            |   | Generated          | 1     | Event generated   |  |  |  |  |  |  |  |  |  |  |  |  |  |  |  |  |  |  |  |  |  |  |  |  |  |  |  |

### 6.35.13.14 EVENTS\_ENDISOIN

Address offset: 0x12C

The whole ISOIN buffer has been consumed. The buffer can be accessed safely by software.

| Bit number | 31 30 29 28 27 26 25 24 23 22 21 20 19 18 17 16 15 14 13 12 11 10 9 8 7 6 5 4 3 2 1 0 |                 |       |  |  |  |  |  |  |  |  |  |  |  |  |  |  |  |  |  |  |  |  |  |  |  |  |  |  |  |  |
|------------|---|-----------------|-------|--|--|--|--|--|--|--|--|--|--|--|--|--|--|--|--|--|--|--|--|--|--|--|--|--|--|--|--|
| ID         | A   |                 |       |  |  |  |  |  |  |  |  |  |  |  |  |  |  |  |  |  |  |  |  |  |  |  |  |  |  |  |  |
| Reset      | 0x00000000  |                 |       |  |  |  |  |  |  |  |  |  |  |  |  |  |  |  |  |  |  |  |  |  |  |  |  |  |  |  |  |
|            | 0                       |                 |       |  |  |  |  |  |  |  |  |  |  |  |  |  |  |  |  |  |  |  |  |  |  |  |  |  |  |  |  |
| ID         | Acce Field  | Value ID        | Value | Description  |  |  |  |  |  |  |  |  |  |  |  |  |  |  |  |  |  |  |  |  |  |  |  |  |  |  |  |
| A          | RW  | EVENTS_ENDISOIN |       | The whole ISOIN buffer has been consumed. The buffer can be accessed safely by software. |  |  |  |  |  |  |  |  |  |  |  |  |  |  |  |  |  |  |  |  |  |  |  |  |  |  |  |
|            |   | NotGenerated    | 0     | Event not generated  |  |  |  |  |  |  |  |  |  |  |  |  |  |  |  |  |  |  |  |  |  |  |  |  |  |  |  |
|            |   | Generated       | 1     | Event generated  |  |  |  |  |  |  |  |  |  |  |  |  |  |  |  |  |  |  |  |  |  |  |  |  |  |  |  |

### 6.35.13.15 EVENTS\_ENDEPOUT[n] (n=0..7)

Address offset: 0x130 + (n × 0x4)

The whole EPOUT[n] buffer has been consumed. The buffer can be accessed safely by software.

| Bit number | 31 30 29 28 27 26 25 24 23 22 21 20 19 18 17 16 15 14 13 12 11 10 9 8 7 6 5 4 3 2 1 0 |                 |       |   |  |  |  |  |  |  |  |  |  |  |  |  |  |  |  |  |  |  |  |  |  |  |  |  |  |  |  |
|------------|---|-----------------|-------|---|--|--|--|--|--|--|--|--|--|--|--|--|--|--|--|--|--|--|--|--|--|--|--|--|--|--|--|
| ID         | A   |                 |       |   |  |  |  |  |  |  |  |  |  |  |  |  |  |  |  |  |  |  |  |  |  |  |  |  |  |  |  |
| Reset      | 0x00000000  |                 |       |   |  |  |  |  |  |  |  |  |  |  |  |  |  |  |  |  |  |  |  |  |  |  |  |  |  |  |  |
|            | 0                       |                 |       |   |  |  |  |  |  |  |  |  |  |  |  |  |  |  |  |  |  |  |  |  |  |  |  |  |  |  |  |
| ID         | Acce Field  | Value ID        | Value | Description   |  |  |  |  |  |  |  |  |  |  |  |  |  |  |  |  |  |  |  |  |  |  |  |  |  |  |  |
| A          | RW  | EVENTS_ENDEPOUT |       | The whole EPOUT[n] buffer has been consumed. The buffer can be accessed safely by software. |  |  |  |  |  |  |  |  |  |  |  |  |  |  |  |  |  |  |  |  |  |  |  |  |  |  |  |
|            |   | NotGenerated    | 0     | Event not generated   |  |  |  |  |  |  |  |  |  |  |  |  |  |  |  |  |  |  |  |  |  |  |  |  |  |  |  |
|            |   | Generated       | 1     | Event generated   |  |  |  |  |  |  |  |  |  |  |  |  |  |  |  |  |  |  |  |  |  |  |  |  |  |  |  |

### 6.35.13.16 EVENTS\_ENDISOOUT

Address offset: 0x150

The whole ISOOUT buffer has been consumed. The buffer can be accessed safely by software.

| Bit number | 31 30 29 28 27 26 25 24 23 22 21 20 19 18 17 16 15 14 13 12 11 10 9 8 7 6 5 4 3 2 1 0 |                  |       |   |  |  |  |  |  |  |  |  |  |  |  |  |  |  |  |  |  |  |  |  |  |  |  |  |  |  |  |
|------------|---|------------------|-------|---|--|--|--|--|--|--|--|--|--|--|--|--|--|--|--|--|--|--|--|--|--|--|--|--|--|--|--|
| ID         | A   |                  |       |   |  |  |  |  |  |  |  |  |  |  |  |  |  |  |  |  |  |  |  |  |  |  |  |  |  |  |  |
| Reset      | 0x00000000  |                  |       |   |  |  |  |  |  |  |  |  |  |  |  |  |  |  |  |  |  |  |  |  |  |  |  |  |  |  |  |
|            | 0                       |                  |       |   |  |  |  |  |  |  |  |  |  |  |  |  |  |  |  |  |  |  |  |  |  |  |  |  |  |  |  |
| ID         | Acce Field  | Value ID         | Value | Description   |  |  |  |  |  |  |  |  |  |  |  |  |  |  |  |  |  |  |  |  |  |  |  |  |  |  |  |
| A          | RW  | EVENTS_ENDISOOUT |       | The whole ISOOUT buffer has been consumed. The buffer can be accessed safely by software. |  |  |  |  |  |  |  |  |  |  |  |  |  |  |  |  |  |  |  |  |  |  |  |  |  |  |  |
|            |   | NotGenerated     | 0     | Event not generated   |  |  |  |  |  |  |  |  |  |  |  |  |  |  |  |  |  |  |  |  |  |  |  |  |  |  |  |
|            |   | Generated        | 1     | Event generated   |  |  |  |  |  |  |  |  |  |  |  |  |  |  |  |  |  |  |  |  |  |  |  |  |  |  |  |

### 6.35.13.17 EVENTS\_SOF

Address offset: 0x154

Signals that a SOF (start of frame) condition has been detected on USB lines

| Bit number       | 31 30 29 28 27 26 25 24 23 22 21 20 19 18 17 16 15 14 13 12 11 10 9 8 7 6 5 4 3 2 1 0 |              |       |  |  |  |  |  |  |  |  |  |  |  |  |  |  |  |  |  |  |  |  |  |  |  |  |  |  |  |  |
|------------------|---|--------------|-------|--|--|--|--|--|--|--|--|--|--|--|--|--|--|--|--|--|--|--|--|--|--|--|--|--|--|--|--|
| ID               | A   |              |       |  |  |  |  |  |  |  |  |  |  |  |  |  |  |  |  |  |  |  |  |  |  |  |  |  |  |  |  |
| Reset 0x00000000 | 0             |              |       |  |  |  |  |  |  |  |  |  |  |  |  |  |  |  |  |  |  |  |  |  |  |  |  |  |  |  |  |
| ID               | Acce Field  | Value ID     | Value | Description  |  |  |  |  |  |  |  |  |  |  |  |  |  |  |  |  |  |  |  |  |  |  |  |  |  |  |  |
| A                | RW  | EVENTS_SOF   |       | Signals that a SOF (start of frame) condition has been detected on USB lines |  |  |  |  |  |  |  |  |  |  |  |  |  |  |  |  |  |  |  |  |  |  |  |  |  |  |  |
|                  |   | NotGenerated | 0     | Event not generated  |  |  |  |  |  |  |  |  |  |  |  |  |  |  |  |  |  |  |  |  |  |  |  |  |  |  |  |
|                  |   | Generated    | 1     | Event generated  |  |  |  |  |  |  |  |  |  |  |  |  |  |  |  |  |  |  |  |  |  |  |  |  |  |  |  |

### 6.35.13.18 EVENTS\_USBEVENT

Address offset: 0x158

An event or an error not covered by specific events has occurred. Check EVENTCAUSE register to find the cause.

| Bit number       | 31 30 29 28 27 26 25 24 23 22 21 20 19 18 17 16 15 14 13 12 11 10 9 8 7 6 5 4 3 2 1 0 |                 |       |  |  |  |  |  |  |  |  |  |  |  |  |  |  |  |  |  |  |  |  |  |  |  |  |  |  |  |  |
|------------------|---|-----------------|-------|--|--|--|--|--|--|--|--|--|--|--|--|--|--|--|--|--|--|--|--|--|--|--|--|--|--|--|--|
| ID               | A   |                 |       |  |  |  |  |  |  |  |  |  |  |  |  |  |  |  |  |  |  |  |  |  |  |  |  |  |  |  |  |
| Reset 0x00000000 | 0             |                 |       |  |  |  |  |  |  |  |  |  |  |  |  |  |  |  |  |  |  |  |  |  |  |  |  |  |  |  |  |
| ID               | Acce Field  | Value ID        | Value | Description  |  |  |  |  |  |  |  |  |  |  |  |  |  |  |  |  |  |  |  |  |  |  |  |  |  |  |  |
| A                | RW  | EVENTS_USBEVENT |       | An event or an error not covered by specific events has occurred. Check EVENTCAUSE register to find the cause. |  |  |  |  |  |  |  |  |  |  |  |  |  |  |  |  |  |  |  |  |  |  |  |  |  |  |  |
|                  |   | NotGenerated    | 0     | Event not generated  |  |  |  |  |  |  |  |  |  |  |  |  |  |  |  |  |  |  |  |  |  |  |  |  |  |  |  |
|                  |   | Generated       | 1     | Event generated  |  |  |  |  |  |  |  |  |  |  |  |  |  |  |  |  |  |  |  |  |  |  |  |  |  |  |  |

### 6.35.13.19 EVENTS\_EPOSETUP

Address offset: 0x15C

A valid SETUP token has been received (and acknowledged) on the control endpoint

| Bit number       | 31 30 29 28 27 26 25 24 23 22 21 20 19 18 17 16 15 14 13 12 11 10 9 8 7 6 5 4 3 2 1 0 |                 |       |  |  |  |  |  |  |  |  |  |  |  |  |  |  |  |  |  |  |  |  |  |  |  |  |  |  |  |  |
|------------------|---|-----------------|-------|--|--|--|--|--|--|--|--|--|--|--|--|--|--|--|--|--|--|--|--|--|--|--|--|--|--|--|--|
| ID               | A   |                 |       |  |  |  |  |  |  |  |  |  |  |  |  |  |  |  |  |  |  |  |  |  |  |  |  |  |  |  |  |
| Reset 0x00000000 | 0             |                 |       |  |  |  |  |  |  |  |  |  |  |  |  |  |  |  |  |  |  |  |  |  |  |  |  |  |  |  |  |
| ID               | Acce Field  | Value ID        | Value | Description  |  |  |  |  |  |  |  |  |  |  |  |  |  |  |  |  |  |  |  |  |  |  |  |  |  |  |  |
| A                | RW  | EVENTS_EPOSETUP |       | A valid SETUP token has been received (and acknowledged) on the control endpoint |  |  |  |  |  |  |  |  |  |  |  |  |  |  |  |  |  |  |  |  |  |  |  |  |  |  |  |
|                  |   | NotGenerated    | 0     | Event not generated  |  |  |  |  |  |  |  |  |  |  |  |  |  |  |  |  |  |  |  |  |  |  |  |  |  |  |  |
|                  |   | Generated       | 1     | Event generated  |  |  |  |  |  |  |  |  |  |  |  |  |  |  |  |  |  |  |  |  |  |  |  |  |  |  |  |

### 6.35.13.20 EVENTS\_EPDATA

Address offset: 0x160

A data transfer has occurred on a data endpoint, indicated by the EPDATASTATUS register



| Bit number | 31         | 30            | 29    | 28  | 27 | 26 | 25 | 24 | 23 | 22 | 21 | 20 | 19 | 18 | 17 | 16 | 15 | 14 | 13 | 12 | 11 | 10 | 9 | 8 | 7 | 6 | 5 | 4 | 3 | 2 | 1 | 0 |
|------------|------------|---------------|-------|---|----|----|----|----|----|----|----|----|----|----|----|----|----|----|----|----|----|----|---|---|---|---|---|---|---|---|---|---|
| ID         |            |               |       |   |    |    |    |    |    |    |    |    |    |    |    |    |    |    |    |    |    |    |   |   |   |   |   |   |   |   |   | A |
| Reset      | 0x00000000 |               |       |   |    |    |    |    |    |    |    |    |    |    |    |    |    |    |    |    |    |    |   |   |   |   |   |   |   |   |   |   |
| Reset      | 0          | 0             | 0     | 0   | 0  | 0  | 0  | 0  | 0  | 0  | 0  | 0  | 0  | 0  | 0  | 0  | 0  | 0  | 0  | 0  | 0  | 0  | 0 | 0 | 0 | 0 | 0 | 0 | 0 | 0 | 0 | 0 |
| ID         | Acce Field | Value ID      | Value | Description   |    |    |    |    |    |    |    |    |    |    |    |    |    |    |    |    |    |    |   |   |   |   |   |   |   |   |   |   |
| A          | RW         | EVENTS_EPDATA |       | A data transfer has occurred on a data endpoint, indicated by the EPDATASTATUS register |    |    |    |    |    |    |    |    |    |    |    |    |    |    |    |    |    |    |   |   |   |   |   |   |   |   |   |   |
|            |            | NotGenerated  | 0     | Event not generated   |    |    |    |    |    |    |    |    |    |    |    |    |    |    |    |    |    |    |   |   |   |   |   |   |   |   |   |   |
|            |            | Generated     | 1     | Event generated   |    |    |    |    |    |    |    |    |    |    |    |    |    |    |    |    |    |    |   |   |   |   |   |   |   |   |   |   |

### 6.35.13.21 SHORTS

Address offset: 0x200

Shortcuts between local events and tasks

| Bit number | 31         | 30                     | 29    | 28   | 27 | 26 | 25 | 24 | 23 | 22 | 21 | 20 | 19 | 18 | 17 | 16 | 15 | 14 | 13 | 12 | 11 | 10 | 9 | 8 | 7 | 6 | 5 | 4 | 3 | 2 | 1 | 0 |   |   |   |   |
|------------|------------|------------------------|-------|--|----|----|----|----|----|----|----|----|----|----|----|----|----|----|----|----|----|----|---|---|---|---|---|---|---|---|---|---|---|---|---|---|
| ID         |            |                        |       |  |    |    |    |    |    |    |    |    |    |    |    |    |    |    |    |    |    |    |   |   |   |   |   |   |   |   |   | E | D | C | B | A |
| Reset      | 0x00000000 |                        |       |  |    |    |    |    |    |    |    |    |    |    |    |    |    |    |    |    |    |    |   |   |   |   |   |   |   |   |   |   |   |   |   |   |
| Reset      | 0          | 0                      | 0     | 0  | 0  | 0  | 0  | 0  | 0  | 0  | 0  | 0  | 0  | 0  | 0  | 0  | 0  | 0  | 0  | 0  | 0  | 0  | 0 | 0 | 0 | 0 | 0 | 0 | 0 | 0 | 0 |   |   |   |   |   |
| ID         | Acce Field | Value ID               | Value | Description  |    |    |    |    |    |    |    |    |    |    |    |    |    |    |    |    |    |    |   |   |   |   |   |   |   |   |   |   |   |   |   |   |
| A          | RW         | EPODATADONE_STARTEPIN0 |       | Shortcut between event <a href="#">EPODATADONE</a> and task <a href="#">STARTEPIN[0]</a> |    |    |    |    |    |    |    |    |    |    |    |    |    |    |    |    |    |    |   |   |   |   |   |   |   |   |   |   |   |   |   |   |
|            |            | Disabled               | 0     | Disable shortcut   |    |    |    |    |    |    |    |    |    |    |    |    |    |    |    |    |    |    |   |   |   |   |   |   |   |   |   |   |   |   |   |   |
|            |            | Enabled                | 1     | Enable shortcut  |    |    |    |    |    |    |    |    |    |    |    |    |    |    |    |    |    |    |   |   |   |   |   |   |   |   |   |   |   |   |   |   |
| B          | RW         | EPODATADONE_STARTEP    |       | Shortcut between event <a href="#">EPODATADONE</a> and task <a href="#">STARTEP[0]</a>   |    |    |    |    |    |    |    |    |    |    |    |    |    |    |    |    |    |    |   |   |   |   |   |   |   |   |   |   |   |   |   |   |
|            |            | Disabled               | 0     | Disable shortcut   |    |    |    |    |    |    |    |    |    |    |    |    |    |    |    |    |    |    |   |   |   |   |   |   |   |   |   |   |   |   |   |   |
|            |            | Enabled                | 1     | Enable shortcut  |    |    |    |    |    |    |    |    |    |    |    |    |    |    |    |    |    |    |   |   |   |   |   |   |   |   |   |   |   |   |   |   |
| C          | RW         | EPODATADONE_EPOSTATUS  |       | Shortcut between event <a href="#">EPODATADONE</a> and task <a href="#">EPOSTATUS</a>    |    |    |    |    |    |    |    |    |    |    |    |    |    |    |    |    |    |    |   |   |   |   |   |   |   |   |   |   |   |   |   |   |
|            |            | Disabled               | 0     | Disable shortcut   |    |    |    |    |    |    |    |    |    |    |    |    |    |    |    |    |    |    |   |   |   |   |   |   |   |   |   |   |   |   |   |   |
|            |            | Enabled                | 1     | Enable shortcut  |    |    |    |    |    |    |    |    |    |    |    |    |    |    |    |    |    |    |   |   |   |   |   |   |   |   |   |   |   |   |   |   |
| D          | RW         | ENDEPOUTO_EPOSTATUS    |       | Shortcut between event <a href="#">ENDEPOUTO[0]</a> and task <a href="#">EPOSTATUS</a>   |    |    |    |    |    |    |    |    |    |    |    |    |    |    |    |    |    |    |   |   |   |   |   |   |   |   |   |   |   |   |   |   |
|            |            | Disabled               | 0     | Disable shortcut   |    |    |    |    |    |    |    |    |    |    |    |    |    |    |    |    |    |    |   |   |   |   |   |   |   |   |   |   |   |   |   |   |
|            |            | Enabled                | 1     | Enable shortcut  |    |    |    |    |    |    |    |    |    |    |    |    |    |    |    |    |    |    |   |   |   |   |   |   |   |   |   |   |   |   |   |   |
| E          | RW         | ENDEPOUTO_EPORCVOUT    |       | Shortcut between event <a href="#">ENDEPOUTO[0]</a> and task <a href="#">EPORCVOUT</a>   |    |    |    |    |    |    |    |    |    |    |    |    |    |    |    |    |    |    |   |   |   |   |   |   |   |   |   |   |   |   |   |   |
|            |            | Disabled               | 0     | Disable shortcut   |    |    |    |    |    |    |    |    |    |    |    |    |    |    |    |    |    |    |   |   |   |   |   |   |   |   |   |   |   |   |   |   |
|            |            | Enabled                | 1     | Enable shortcut  |    |    |    |    |    |    |    |    |    |    |    |    |    |    |    |    |    |    |   |   |   |   |   |   |   |   |   |   |   |   |   |   |

### 6.35.13.22 INTEN

Address offset: 0x300

Enable or disable interrupt

| Bit number | 31         | 30                  | 29    | 28   | 27 | 26 | 25 | 24 | 23 | 22 | 21 | 20 | 19 | 18 | 17 | 16 | 15 | 14 | 13 | 12 | 11 | 10 | 9 | 8 | 7 | 6 | 5 | 4 | 3 | 2 | 1 | 0 |   |   |   |   |   |   |   |   |   |   |   |   |   |   |   |   |   |   |   |   |   |   |   |   |
|------------|------------|---------------------|-------|--|----|----|----|----|----|----|----|----|----|----|----|----|----|----|----|----|----|----|---|---|---|---|---|---|---|---|---|---|---|---|---|---|---|---|---|---|---|---|---|---|---|---|---|---|---|---|---|---|---|---|---|---|
| ID         |            |                     |       |  |    |    |    |    |    |    |    |    |    |    |    |    |    |    |    |    |    |    |   |   |   |   |   |   |   |   |   | Y | X | W | V | U | T | S | R | Q | P | O | N | M | L | K | J | I | H | G | F | E | D | C | B | A |
| Reset      | 0x00000000 |                     |       |  |    |    |    |    |    |    |    |    |    |    |    |    |    |    |    |    |    |    |   |   |   |   |   |   |   |   |   |   |   |   |   |   |   |   |   |   |   |   |   |   |   |   |   |   |   |   |   |   |   |   |   |   |
| Reset      | 0          | 0                   | 0     | 0  | 0  | 0  | 0  | 0  | 0  | 0  | 0  | 0  | 0  | 0  | 0  | 0  | 0  | 0  | 0  | 0  | 0  | 0  | 0 | 0 | 0 | 0 | 0 | 0 | 0 | 0 | 0 |   |   |   |   |   |   |   |   |   |   |   |   |   |   |   |   |   |   |   |   |   |   |   |   |   |
| ID         | Acce Field | Value ID            | Value | Description  |    |    |    |    |    |    |    |    |    |    |    |    |    |    |    |    |    |    |   |   |   |   |   |   |   |   |   |   |   |   |   |   |   |   |   |   |   |   |   |   |   |   |   |   |   |   |   |   |   |   |   |   |
| A          | RW         | USBRESET            |       | Enable or disable interrupt for event <a href="#">USBRESET</a>   |    |    |    |    |    |    |    |    |    |    |    |    |    |    |    |    |    |    |   |   |   |   |   |   |   |   |   |   |   |   |   |   |   |   |   |   |   |   |   |   |   |   |   |   |   |   |   |   |   |   |   |   |
|            |            | Disabled            | 0     | Disable  |    |    |    |    |    |    |    |    |    |    |    |    |    |    |    |    |    |    |   |   |   |   |   |   |   |   |   |   |   |   |   |   |   |   |   |   |   |   |   |   |   |   |   |   |   |   |   |   |   |   |   |   |
|            |            | Enabled             | 1     | Enable   |    |    |    |    |    |    |    |    |    |    |    |    |    |    |    |    |    |    |   |   |   |   |   |   |   |   |   |   |   |   |   |   |   |   |   |   |   |   |   |   |   |   |   |   |   |   |   |   |   |   |   |   |
| B          | RW         | STARTED             |       | Enable or disable interrupt for event <a href="#">STARTED</a>    |    |    |    |    |    |    |    |    |    |    |    |    |    |    |    |    |    |    |   |   |   |   |   |   |   |   |   |   |   |   |   |   |   |   |   |   |   |   |   |   |   |   |   |   |   |   |   |   |   |   |   |   |
|            |            | Disabled            | 0     | Disable  |    |    |    |    |    |    |    |    |    |    |    |    |    |    |    |    |    |    |   |   |   |   |   |   |   |   |   |   |   |   |   |   |   |   |   |   |   |   |   |   |   |   |   |   |   |   |   |   |   |   |   |   |
|            |            | Enabled             | 1     | Enable   |    |    |    |    |    |    |    |    |    |    |    |    |    |    |    |    |    |    |   |   |   |   |   |   |   |   |   |   |   |   |   |   |   |   |   |   |   |   |   |   |   |   |   |   |   |   |   |   |   |   |   |   |
| C-J        | RW         | ENDEPIN[i] (i=0..7) |       | Enable or disable interrupt for event <a href="#">ENDEPIN[i]</a> |    |    |    |    |    |    |    |    |    |    |    |    |    |    |    |    |    |    |   |   |   |   |   |   |   |   |   |   |   |   |   |   |   |   |   |   |   |   |   |   |   |   |   |   |   |   |   |   |   |   |   |   |
|            |            | Disabled            | 0     | Disable  |    |    |    |    |    |    |    |    |    |    |    |    |    |    |    |    |    |    |   |   |   |   |   |   |   |   |   |   |   |   |   |   |   |   |   |   |   |   |   |   |   |   |   |   |   |   |   |   |   |   |   |   |

| Bit number       |                         | 31 30 29 28 27 26 25 24 23 22 21 20 19 18 17 16 15 14 13 12 11 10 9 8 7 6 5 4 3 2 1 0 |       |   |  |  |  |  |  |  |  |  |  |  |  |  |  |  |  |  |  |  |  |  |  |  |  |  |  |
|------------------|-------------------------|---|-------|---|--|--|--|--|--|--|--|--|--|--|--|--|--|--|--|--|--|--|--|--|--|--|--|--|--|
| ID               |                         | Y X W V U T S R Q P O N M L K J I H G F E D C B A                                     |       |   |  |  |  |  |  |  |  |  |  |  |  |  |  |  |  |  |  |  |  |  |  |  |  |  |  |
| Reset 0x00000000 |                         | 0                       |       |   |  |  |  |  |  |  |  |  |  |  |  |  |  |  |  |  |  |  |  |  |  |  |  |  |  |
| ID               | Acce Field              | Value ID  | Value | Description   |  |  |  |  |  |  |  |  |  |  |  |  |  |  |  |  |  |  |  |  |  |  |  |  |  |
|                  |                         | Enabled   | 1     | Enable  |  |  |  |  |  |  |  |  |  |  |  |  |  |  |  |  |  |  |  |  |  |  |  |  |  |
| K                | RW EP0DATADONE          | Enabled   | 1     | Enable or disable interrupt for event <a href="#">EP0DATADONE</a> |  |  |  |  |  |  |  |  |  |  |  |  |  |  |  |  |  |  |  |  |  |  |  |  |  |
|                  |                         | Disabled  | 0     | Disable   |  |  |  |  |  |  |  |  |  |  |  |  |  |  |  |  |  |  |  |  |  |  |  |  |  |
|                  |                         | Enabled   | 1     | Enable  |  |  |  |  |  |  |  |  |  |  |  |  |  |  |  |  |  |  |  |  |  |  |  |  |  |
| L                | RW ENDISOIN             | Enabled   | 1     | Enable or disable interrupt for event <a href="#">ENDISOIN</a>    |  |  |  |  |  |  |  |  |  |  |  |  |  |  |  |  |  |  |  |  |  |  |  |  |  |
|                  |                         | Disabled  | 0     | Disable   |  |  |  |  |  |  |  |  |  |  |  |  |  |  |  |  |  |  |  |  |  |  |  |  |  |
|                  |                         | Enabled   | 1     | Enable  |  |  |  |  |  |  |  |  |  |  |  |  |  |  |  |  |  |  |  |  |  |  |  |  |  |
| M-T              | RW ENDEPOUT[i] (i=0..7) | Enabled   | 1     | Enable or disable interrupt for event <a href="#">ENDEPOUT[i]</a> |  |  |  |  |  |  |  |  |  |  |  |  |  |  |  |  |  |  |  |  |  |  |  |  |  |
|                  |                         | Disabled  | 0     | Disable   |  |  |  |  |  |  |  |  |  |  |  |  |  |  |  |  |  |  |  |  |  |  |  |  |  |
|                  |                         | Enabled   | 1     | Enable  |  |  |  |  |  |  |  |  |  |  |  |  |  |  |  |  |  |  |  |  |  |  |  |  |  |
| U                | RW ENDISOOUT            | Enabled   | 1     | Enable or disable interrupt for event <a href="#">ENDISOOUT</a>   |  |  |  |  |  |  |  |  |  |  |  |  |  |  |  |  |  |  |  |  |  |  |  |  |  |
|                  |                         | Disabled  | 0     | Disable   |  |  |  |  |  |  |  |  |  |  |  |  |  |  |  |  |  |  |  |  |  |  |  |  |  |
|                  |                         | Enabled   | 1     | Enable  |  |  |  |  |  |  |  |  |  |  |  |  |  |  |  |  |  |  |  |  |  |  |  |  |  |
| V                | RW SOF                  | Enabled   | 1     | Enable or disable interrupt for event <a href="#">SOF</a>         |  |  |  |  |  |  |  |  |  |  |  |  |  |  |  |  |  |  |  |  |  |  |  |  |  |
|                  |                         | Disabled  | 0     | Disable   |  |  |  |  |  |  |  |  |  |  |  |  |  |  |  |  |  |  |  |  |  |  |  |  |  |
|                  |                         | Enabled   | 1     | Enable  |  |  |  |  |  |  |  |  |  |  |  |  |  |  |  |  |  |  |  |  |  |  |  |  |  |
| W                | RW USBEVENT             | Enabled   | 1     | Enable or disable interrupt for event <a href="#">USBEVENT</a>    |  |  |  |  |  |  |  |  |  |  |  |  |  |  |  |  |  |  |  |  |  |  |  |  |  |
|                  |                         | Disabled  | 0     | Disable   |  |  |  |  |  |  |  |  |  |  |  |  |  |  |  |  |  |  |  |  |  |  |  |  |  |
|                  |                         | Enabled   | 1     | Enable  |  |  |  |  |  |  |  |  |  |  |  |  |  |  |  |  |  |  |  |  |  |  |  |  |  |
| X                | RW EPOSETUP             | Enabled   | 1     | Enable or disable interrupt for event <a href="#">EPOSETUP</a>    |  |  |  |  |  |  |  |  |  |  |  |  |  |  |  |  |  |  |  |  |  |  |  |  |  |
|                  |                         | Disabled  | 0     | Disable   |  |  |  |  |  |  |  |  |  |  |  |  |  |  |  |  |  |  |  |  |  |  |  |  |  |
|                  |                         | Enabled   | 1     | Enable  |  |  |  |  |  |  |  |  |  |  |  |  |  |  |  |  |  |  |  |  |  |  |  |  |  |
| Y                | RW EPDATA               | Enabled   | 1     | Enable or disable interrupt for event <a href="#">EPDATA</a>      |  |  |  |  |  |  |  |  |  |  |  |  |  |  |  |  |  |  |  |  |  |  |  |  |  |
|                  |                         | Disabled  | 0     | Disable   |  |  |  |  |  |  |  |  |  |  |  |  |  |  |  |  |  |  |  |  |  |  |  |  |  |
|                  |                         | Enabled   | 1     | Enable  |  |  |  |  |  |  |  |  |  |  |  |  |  |  |  |  |  |  |  |  |  |  |  |  |  |

### 6.35.13.23 INTENSET

Address offset: 0x304

Enable interrupt

| Bit number       |                        | 31 30 29 28 27 26 25 24 23 22 21 20 19 18 17 16 15 14 13 12 11 10 9 8 7 6 5 4 3 2 1 0 |       |   |  |  |  |  |  |  |  |  |  |  |  |  |  |  |  |  |  |  |  |  |  |  |  |  |  |
|------------------|------------------------|---|-------|---|--|--|--|--|--|--|--|--|--|--|--|--|--|--|--|--|--|--|--|--|--|--|--|--|--|
| ID               |                        | Y X W V U T S R Q P O N M L K J I H G F E D C B A                                     |       |   |  |  |  |  |  |  |  |  |  |  |  |  |  |  |  |  |  |  |  |  |  |  |  |  |  |
| Reset 0x00000000 |                        | 0                       |       |   |  |  |  |  |  |  |  |  |  |  |  |  |  |  |  |  |  |  |  |  |  |  |  |  |  |
| ID               | Acce Field             | Value ID  | Value | Description   |  |  |  |  |  |  |  |  |  |  |  |  |  |  |  |  |  |  |  |  |  |  |  |  |  |
| A                | RW USBRESET            | Set   | 1     | Write '1' to enable interrupt for event <a href="#">USBRESET</a>    |  |  |  |  |  |  |  |  |  |  |  |  |  |  |  |  |  |  |  |  |  |  |  |  |  |
|                  |                        | Disabled  | 0     | Read: Disabled  |  |  |  |  |  |  |  |  |  |  |  |  |  |  |  |  |  |  |  |  |  |  |  |  |  |
|                  |                        | Enabled   | 1     | Read: Enabled   |  |  |  |  |  |  |  |  |  |  |  |  |  |  |  |  |  |  |  |  |  |  |  |  |  |
| B                | RW STARTED             | Set   | 1     | Write '1' to enable interrupt for event <a href="#">STARTED</a>     |  |  |  |  |  |  |  |  |  |  |  |  |  |  |  |  |  |  |  |  |  |  |  |  |  |
|                  |                        | Disabled  | 0     | Read: Disabled  |  |  |  |  |  |  |  |  |  |  |  |  |  |  |  |  |  |  |  |  |  |  |  |  |  |
|                  |                        | Enabled   | 1     | Read: Enabled   |  |  |  |  |  |  |  |  |  |  |  |  |  |  |  |  |  |  |  |  |  |  |  |  |  |
| C-J              | RW ENDEPIN[i] (i=0..7) | Set   | 1     | Write '1' to enable interrupt for event <a href="#">ENDEPIN[i]</a>  |  |  |  |  |  |  |  |  |  |  |  |  |  |  |  |  |  |  |  |  |  |  |  |  |  |
|                  |                        | Disabled  | 0     | Read: Disabled  |  |  |  |  |  |  |  |  |  |  |  |  |  |  |  |  |  |  |  |  |  |  |  |  |  |
|                  |                        | Enabled   | 1     | Read: Enabled   |  |  |  |  |  |  |  |  |  |  |  |  |  |  |  |  |  |  |  |  |  |  |  |  |  |
| K                | RW EP0DATADONE         | Set   | 1     | Write '1' to enable interrupt for event <a href="#">EP0DATADONE</a> |  |  |  |  |  |  |  |  |  |  |  |  |  |  |  |  |  |  |  |  |  |  |  |  |  |
|                  |                        | Enabled   | 1     | Enable  |  |  |  |  |  |  |  |  |  |  |  |  |  |  |  |  |  |  |  |  |  |  |  |  |  |

| Bit number       |                         | 31 30 29 28 27 26 25 24 23 22 21 20 19 18 17 16 15 14 13 12 11 10 9 8 7 6 5 4 3 2 1 0 |       |   |  |  |  |  |  |  |  |  |  |  |  |  |  |  |  |  |  |  |  |  |  |  |  |  |  |
|------------------|-------------------------|---|-------|---|--|--|--|--|--|--|--|--|--|--|--|--|--|--|--|--|--|--|--|--|--|--|--|--|--|
| ID               |                         | Y X W V U T S R Q P O N M L K J I H G F E D C B A                                     |       |   |  |  |  |  |  |  |  |  |  |  |  |  |  |  |  |  |  |  |  |  |  |  |  |  |  |
| Reset 0x00000000 |                         | 0                       |       |   |  |  |  |  |  |  |  |  |  |  |  |  |  |  |  |  |  |  |  |  |  |  |  |  |  |
| ID               | Acce Field              | Value ID  | Value | Description   |  |  |  |  |  |  |  |  |  |  |  |  |  |  |  |  |  |  |  |  |  |  |  |  |  |
|                  |                         | Disabled  | 0     | Read: Disabled  |  |  |  |  |  |  |  |  |  |  |  |  |  |  |  |  |  |  |  |  |  |  |  |  |  |
|                  |                         | Enabled   | 1     | Read: Enabled   |  |  |  |  |  |  |  |  |  |  |  |  |  |  |  |  |  |  |  |  |  |  |  |  |  |
| L                | RW ENDISOIN             |   |       | Write '1' to enable interrupt for event <a href="#">ENDISOIN</a>    |  |  |  |  |  |  |  |  |  |  |  |  |  |  |  |  |  |  |  |  |  |  |  |  |  |
|                  |                         | Set   | 1     | Enable  |  |  |  |  |  |  |  |  |  |  |  |  |  |  |  |  |  |  |  |  |  |  |  |  |  |
|                  |                         | Disabled  | 0     | Read: Disabled  |  |  |  |  |  |  |  |  |  |  |  |  |  |  |  |  |  |  |  |  |  |  |  |  |  |
|                  |                         | Enabled   | 1     | Read: Enabled   |  |  |  |  |  |  |  |  |  |  |  |  |  |  |  |  |  |  |  |  |  |  |  |  |  |
| M-T              | RW ENDEPOUT[i] (i=0..7) |   |       | Write '1' to enable interrupt for event <a href="#">ENDEPOUT[i]</a> |  |  |  |  |  |  |  |  |  |  |  |  |  |  |  |  |  |  |  |  |  |  |  |  |  |
|                  |                         | Set   | 1     | Enable  |  |  |  |  |  |  |  |  |  |  |  |  |  |  |  |  |  |  |  |  |  |  |  |  |  |
|                  |                         | Disabled  | 0     | Read: Disabled  |  |  |  |  |  |  |  |  |  |  |  |  |  |  |  |  |  |  |  |  |  |  |  |  |  |
|                  |                         | Enabled   | 1     | Read: Enabled   |  |  |  |  |  |  |  |  |  |  |  |  |  |  |  |  |  |  |  |  |  |  |  |  |  |
| U                | RW ENDISOOUT            |   |       | Write '1' to enable interrupt for event <a href="#">ENDISOOUT</a>   |  |  |  |  |  |  |  |  |  |  |  |  |  |  |  |  |  |  |  |  |  |  |  |  |  |
|                  |                         | Set   | 1     | Enable  |  |  |  |  |  |  |  |  |  |  |  |  |  |  |  |  |  |  |  |  |  |  |  |  |  |
|                  |                         | Disabled  | 0     | Read: Disabled  |  |  |  |  |  |  |  |  |  |  |  |  |  |  |  |  |  |  |  |  |  |  |  |  |  |
|                  |                         | Enabled   | 1     | Read: Enabled   |  |  |  |  |  |  |  |  |  |  |  |  |  |  |  |  |  |  |  |  |  |  |  |  |  |
| V                | RW SOF                  |   |       | Write '1' to enable interrupt for event <a href="#">SOF</a>         |  |  |  |  |  |  |  |  |  |  |  |  |  |  |  |  |  |  |  |  |  |  |  |  |  |
|                  |                         | Set   | 1     | Enable  |  |  |  |  |  |  |  |  |  |  |  |  |  |  |  |  |  |  |  |  |  |  |  |  |  |
|                  |                         | Disabled  | 0     | Read: Disabled  |  |  |  |  |  |  |  |  |  |  |  |  |  |  |  |  |  |  |  |  |  |  |  |  |  |
|                  |                         | Enabled   | 1     | Read: Enabled   |  |  |  |  |  |  |  |  |  |  |  |  |  |  |  |  |  |  |  |  |  |  |  |  |  |
| W                | RW USBEVENT             |   |       | Write '1' to enable interrupt for event <a href="#">USBEVENT</a>    |  |  |  |  |  |  |  |  |  |  |  |  |  |  |  |  |  |  |  |  |  |  |  |  |  |
|                  |                         | Set   | 1     | Enable  |  |  |  |  |  |  |  |  |  |  |  |  |  |  |  |  |  |  |  |  |  |  |  |  |  |
|                  |                         | Disabled  | 0     | Read: Disabled  |  |  |  |  |  |  |  |  |  |  |  |  |  |  |  |  |  |  |  |  |  |  |  |  |  |
|                  |                         | Enabled   | 1     | Read: Enabled   |  |  |  |  |  |  |  |  |  |  |  |  |  |  |  |  |  |  |  |  |  |  |  |  |  |
| X                | RW EPOSETUP             |   |       | Write '1' to enable interrupt for event <a href="#">EPOSETUP</a>    |  |  |  |  |  |  |  |  |  |  |  |  |  |  |  |  |  |  |  |  |  |  |  |  |  |
|                  |                         | Set   | 1     | Enable  |  |  |  |  |  |  |  |  |  |  |  |  |  |  |  |  |  |  |  |  |  |  |  |  |  |
|                  |                         | Disabled  | 0     | Read: Disabled  |  |  |  |  |  |  |  |  |  |  |  |  |  |  |  |  |  |  |  |  |  |  |  |  |  |
|                  |                         | Enabled   | 1     | Read: Enabled   |  |  |  |  |  |  |  |  |  |  |  |  |  |  |  |  |  |  |  |  |  |  |  |  |  |
| Y                | RW EPDATA               |   |       | Write '1' to enable interrupt for event <a href="#">EPDATA</a>      |  |  |  |  |  |  |  |  |  |  |  |  |  |  |  |  |  |  |  |  |  |  |  |  |  |
|                  |                         | Set   | 1     | Enable  |  |  |  |  |  |  |  |  |  |  |  |  |  |  |  |  |  |  |  |  |  |  |  |  |  |
|                  |                         | Disabled  | 0     | Read: Disabled  |  |  |  |  |  |  |  |  |  |  |  |  |  |  |  |  |  |  |  |  |  |  |  |  |  |
|                  |                         | Enabled   | 1     | Read: Enabled   |  |  |  |  |  |  |  |  |  |  |  |  |  |  |  |  |  |  |  |  |  |  |  |  |  |

### 6.35.13.24 INTENCLR

Address offset: 0x308

Disable interrupt

| Bit number       |                        | 31 30 29 28 27 26 25 24 23 22 21 20 19 18 17 16 15 14 13 12 11 10 9 8 7 6 5 4 3 2 1 0 |       |   |  |  |  |  |  |  |  |  |  |  |  |  |  |  |  |  |  |  |  |  |  |  |  |  |  |
|------------------|------------------------|---|-------|---|--|--|--|--|--|--|--|--|--|--|--|--|--|--|--|--|--|--|--|--|--|--|--|--|--|
| ID               |                        | Y X W V U T S R Q P O N M L K J I H G F E D C B A                                     |       |   |  |  |  |  |  |  |  |  |  |  |  |  |  |  |  |  |  |  |  |  |  |  |  |  |  |
| Reset 0x00000000 |                        | 0                       |       |   |  |  |  |  |  |  |  |  |  |  |  |  |  |  |  |  |  |  |  |  |  |  |  |  |  |
| ID               | Acce Field             | Value ID  | Value | Description   |  |  |  |  |  |  |  |  |  |  |  |  |  |  |  |  |  |  |  |  |  |  |  |  |  |
| A                | RW USBRESET            |   |       | Write '1' to disable interrupt for event <a href="#">USBRESET</a>   |  |  |  |  |  |  |  |  |  |  |  |  |  |  |  |  |  |  |  |  |  |  |  |  |  |
|                  |                        | Clear   | 1     | Disable   |  |  |  |  |  |  |  |  |  |  |  |  |  |  |  |  |  |  |  |  |  |  |  |  |  |
|                  |                        | Disabled  | 0     | Read: Disabled  |  |  |  |  |  |  |  |  |  |  |  |  |  |  |  |  |  |  |  |  |  |  |  |  |  |
|                  |                        | Enabled   | 1     | Read: Enabled   |  |  |  |  |  |  |  |  |  |  |  |  |  |  |  |  |  |  |  |  |  |  |  |  |  |
| B                | RW STARTED             |   |       | Write '1' to disable interrupt for event <a href="#">STARTED</a>    |  |  |  |  |  |  |  |  |  |  |  |  |  |  |  |  |  |  |  |  |  |  |  |  |  |
|                  |                        | Clear   | 1     | Disable   |  |  |  |  |  |  |  |  |  |  |  |  |  |  |  |  |  |  |  |  |  |  |  |  |  |
|                  |                        | Disabled  | 0     | Read: Disabled  |  |  |  |  |  |  |  |  |  |  |  |  |  |  |  |  |  |  |  |  |  |  |  |  |  |
|                  |                        | Enabled   | 1     | Read: Enabled   |  |  |  |  |  |  |  |  |  |  |  |  |  |  |  |  |  |  |  |  |  |  |  |  |  |
| C-J              | RW ENDEPIN[i] (i=0..7) |   |       | Write '1' to disable interrupt for event <a href="#">ENDEPIN[i]</a> |  |  |  |  |  |  |  |  |  |  |  |  |  |  |  |  |  |  |  |  |  |  |  |  |  |

| Bit number       | 31 30 29 28 27 26 25 24 23 22 21 20 19 18 17 16 15 14 13 12 11 10 9 8 7 6 5 4 3 2 1 0 |          |       |  |  |  |  |  |  |  |  |  |  |  |  |  |  |  |  |  |  |  |  |  |  |  |  |  |  |  |  |
|------------------|---|----------|-------|--|--|--|--|--|--|--|--|--|--|--|--|--|--|--|--|--|--|--|--|--|--|--|--|--|--|--|--|
| ID               | Y X W V U T S R Q P O N M L K J I H G F E D C B A                                     |          |       |  |  |  |  |  |  |  |  |  |  |  |  |  |  |  |  |  |  |  |  |  |  |  |  |  |  |  |  |
| Reset 0x00000000 | 0             |          |       |  |  |  |  |  |  |  |  |  |  |  |  |  |  |  |  |  |  |  |  |  |  |  |  |  |  |  |  |
| ID               | Acce Field  | Value ID | Value | Description  |  |  |  |  |  |  |  |  |  |  |  |  |  |  |  |  |  |  |  |  |  |  |  |  |  |  |  |
|                  |   | Clear    | 1     | Disable  |  |  |  |  |  |  |  |  |  |  |  |  |  |  |  |  |  |  |  |  |  |  |  |  |  |  |  |
|                  |   | Disabled | 0     | Read: Disabled   |  |  |  |  |  |  |  |  |  |  |  |  |  |  |  |  |  |  |  |  |  |  |  |  |  |  |  |
|                  |   | Enabled  | 1     | Read: Enabled  |  |  |  |  |  |  |  |  |  |  |  |  |  |  |  |  |  |  |  |  |  |  |  |  |  |  |  |
| K                | RW EPODATADONE  |          |       | Write '1' to disable interrupt for event <a href="#">EPODATADONE</a> |  |  |  |  |  |  |  |  |  |  |  |  |  |  |  |  |  |  |  |  |  |  |  |  |  |  |  |
|                  |   | Clear    | 1     | Disable  |  |  |  |  |  |  |  |  |  |  |  |  |  |  |  |  |  |  |  |  |  |  |  |  |  |  |  |
|                  |   | Disabled | 0     | Read: Disabled   |  |  |  |  |  |  |  |  |  |  |  |  |  |  |  |  |  |  |  |  |  |  |  |  |  |  |  |
|                  |   | Enabled  | 1     | Read: Enabled  |  |  |  |  |  |  |  |  |  |  |  |  |  |  |  |  |  |  |  |  |  |  |  |  |  |  |  |
| L                | RW ENDISOIN   |          |       | Write '1' to disable interrupt for event <a href="#">ENDISOIN</a>    |  |  |  |  |  |  |  |  |  |  |  |  |  |  |  |  |  |  |  |  |  |  |  |  |  |  |  |
|                  |   | Clear    | 1     | Disable  |  |  |  |  |  |  |  |  |  |  |  |  |  |  |  |  |  |  |  |  |  |  |  |  |  |  |  |
|                  |   | Disabled | 0     | Read: Disabled   |  |  |  |  |  |  |  |  |  |  |  |  |  |  |  |  |  |  |  |  |  |  |  |  |  |  |  |
|                  |   | Enabled  | 1     | Read: Enabled  |  |  |  |  |  |  |  |  |  |  |  |  |  |  |  |  |  |  |  |  |  |  |  |  |  |  |  |
| M-T              | RW ENDEPOUT[i] (i=0..7)   |          |       | Write '1' to disable interrupt for event <a href="#">ENDEPOUT[i]</a> |  |  |  |  |  |  |  |  |  |  |  |  |  |  |  |  |  |  |  |  |  |  |  |  |  |  |  |
|                  |   | Clear    | 1     | Disable  |  |  |  |  |  |  |  |  |  |  |  |  |  |  |  |  |  |  |  |  |  |  |  |  |  |  |  |
|                  |   | Disabled | 0     | Read: Disabled   |  |  |  |  |  |  |  |  |  |  |  |  |  |  |  |  |  |  |  |  |  |  |  |  |  |  |  |
|                  |   | Enabled  | 1     | Read: Enabled  |  |  |  |  |  |  |  |  |  |  |  |  |  |  |  |  |  |  |  |  |  |  |  |  |  |  |  |
| U                | RW ENDISOOUT  |          |       | Write '1' to disable interrupt for event <a href="#">ENDISOOUT</a>   |  |  |  |  |  |  |  |  |  |  |  |  |  |  |  |  |  |  |  |  |  |  |  |  |  |  |  |
|                  |   | Clear    | 1     | Disable  |  |  |  |  |  |  |  |  |  |  |  |  |  |  |  |  |  |  |  |  |  |  |  |  |  |  |  |
|                  |   | Disabled | 0     | Read: Disabled   |  |  |  |  |  |  |  |  |  |  |  |  |  |  |  |  |  |  |  |  |  |  |  |  |  |  |  |
|                  |   | Enabled  | 1     | Read: Enabled  |  |  |  |  |  |  |  |  |  |  |  |  |  |  |  |  |  |  |  |  |  |  |  |  |  |  |  |
| V                | RW SOF  |          |       | Write '1' to disable interrupt for event <a href="#">SOF</a>         |  |  |  |  |  |  |  |  |  |  |  |  |  |  |  |  |  |  |  |  |  |  |  |  |  |  |  |
|                  |   | Clear    | 1     | Disable  |  |  |  |  |  |  |  |  |  |  |  |  |  |  |  |  |  |  |  |  |  |  |  |  |  |  |  |
|                  |   | Disabled | 0     | Read: Disabled   |  |  |  |  |  |  |  |  |  |  |  |  |  |  |  |  |  |  |  |  |  |  |  |  |  |  |  |
|                  |   | Enabled  | 1     | Read: Enabled  |  |  |  |  |  |  |  |  |  |  |  |  |  |  |  |  |  |  |  |  |  |  |  |  |  |  |  |
| W                | RW USBEVENT   |          |       | Write '1' to disable interrupt for event <a href="#">USBEVENT</a>    |  |  |  |  |  |  |  |  |  |  |  |  |  |  |  |  |  |  |  |  |  |  |  |  |  |  |  |
|                  |   | Clear    | 1     | Disable  |  |  |  |  |  |  |  |  |  |  |  |  |  |  |  |  |  |  |  |  |  |  |  |  |  |  |  |
|                  |   | Disabled | 0     | Read: Disabled   |  |  |  |  |  |  |  |  |  |  |  |  |  |  |  |  |  |  |  |  |  |  |  |  |  |  |  |
|                  |   | Enabled  | 1     | Read: Enabled  |  |  |  |  |  |  |  |  |  |  |  |  |  |  |  |  |  |  |  |  |  |  |  |  |  |  |  |
| X                | RW EPOSETUP   |          |       | Write '1' to disable interrupt for event <a href="#">EPOSETUP</a>    |  |  |  |  |  |  |  |  |  |  |  |  |  |  |  |  |  |  |  |  |  |  |  |  |  |  |  |
|                  |   | Clear    | 1     | Disable  |  |  |  |  |  |  |  |  |  |  |  |  |  |  |  |  |  |  |  |  |  |  |  |  |  |  |  |
|                  |   | Disabled | 0     | Read: Disabled   |  |  |  |  |  |  |  |  |  |  |  |  |  |  |  |  |  |  |  |  |  |  |  |  |  |  |  |
|                  |   | Enabled  | 1     | Read: Enabled  |  |  |  |  |  |  |  |  |  |  |  |  |  |  |  |  |  |  |  |  |  |  |  |  |  |  |  |
| Y                | RW EPDATA   |          |       | Write '1' to disable interrupt for event <a href="#">EPDATA</a>      |  |  |  |  |  |  |  |  |  |  |  |  |  |  |  |  |  |  |  |  |  |  |  |  |  |  |  |
|                  |   | Clear    | 1     | Disable  |  |  |  |  |  |  |  |  |  |  |  |  |  |  |  |  |  |  |  |  |  |  |  |  |  |  |  |
|                  |   | Disabled | 0     | Read: Disabled   |  |  |  |  |  |  |  |  |  |  |  |  |  |  |  |  |  |  |  |  |  |  |  |  |  |  |  |
|                  |   | Enabled  | 1     | Read: Enabled  |  |  |  |  |  |  |  |  |  |  |  |  |  |  |  |  |  |  |  |  |  |  |  |  |  |  |  |

### 6.35.13.25 EVENTCAUSE

Address offset: 0x400

Details on what caused the USBEVENT event

| Bit number       | 31 30 29 28 27 26 25 24 23 22 21 20 19 18 17 16 15 14 13 12 11 10 9 8 7 6 5 4 3 2 1 0 |             |       |   |  |  |  |  |  |  |  |  |  |  |  |  |  |  |  |  |  |  |  |  |  |  |  |  |  |  |  |
|------------------|---|-------------|-------|---|--|--|--|--|--|--|--|--|--|--|--|--|--|--|--|--|--|--|--|--|--|--|--|--|--|--|--|
| ID               | E D C B A   |             |       |   |  |  |  |  |  |  |  |  |  |  |  |  |  |  |  |  |  |  |  |  |  |  |  |  |  |  |  |
| Reset 0x00000000 | 0             |             |       |   |  |  |  |  |  |  |  |  |  |  |  |  |  |  |  |  |  |  |  |  |  |  |  |  |  |  |  |
| ID               | Acce Field  | Value ID    | Value | Description   |  |  |  |  |  |  |  |  |  |  |  |  |  |  |  |  |  |  |  |  |  |  |  |  |  |  |  |
| A                | RW ISOOUTCRC  |             |       | CRC error was detected on isochronous OUT endpoint 8. |  |  |  |  |  |  |  |  |  |  |  |  |  |  |  |  |  |  |  |  |  |  |  |  |  |  |  |
|                  |   |             |       | Write '1' to clear.                                   |  |  |  |  |  |  |  |  |  |  |  |  |  |  |  |  |  |  |  |  |  |  |  |  |  |  |  |
|                  |   | NotDetected | 0     | No error detected                                     |  |  |  |  |  |  |  |  |  |  |  |  |  |  |  |  |  |  |  |  |  |  |  |  |  |  |  |
|                  |   | Detected    | 1     | Error detected  |  |  |  |  |  |  |  |  |  |  |  |  |  |  |  |  |  |  |  |  |  |  |  |  |  |  |  |

| Bit number              | 31 30 29 28 27 26 25 24 23 22 21 20 19 18 17 16 15 14 13 12 11 10 9 8 7 6 5 4 3 2 1 0 |             |       |   |  |  |  |  |  |  |  |  |  |  |  |  |  |  |  |  |  |  |  |  |  |  |  |  |   |   |   |   |  |  |  |   |
|-------------------------|---|-------------|-------|---|--|--|--|--|--|--|--|--|--|--|--|--|--|--|--|--|--|--|--|--|--|--|--|--|---|---|---|---|--|--|--|---|
| ID                      |   |             |       |   |  |  |  |  |  |  |  |  |  |  |  |  |  |  |  |  |  |  |  |  |  |  |  |  | E | D | C | B |  |  |  | A |
| <b>Reset 0x00000000</b> | <b>0 0</b>    |             |       |   |  |  |  |  |  |  |  |  |  |  |  |  |  |  |  |  |  |  |  |  |  |  |  |  |   |   |   |   |  |  |  |   |
| ID                      | Acce Field  | Value ID    | Value | Description   |  |  |  |  |  |  |  |  |  |  |  |  |  |  |  |  |  |  |  |  |  |  |  |  |   |   |   |   |  |  |  |   |
| B                       | RW SUSPEND  |             |       | Signals that USB lines have been idle long enough for the device to enter suspend. Write '1' to clear.            |  |  |  |  |  |  |  |  |  |  |  |  |  |  |  |  |  |  |  |  |  |  |  |  |   |   |   |   |  |  |  |   |
|                         |   | NotDetected | 0     | Suspend not detected  |  |  |  |  |  |  |  |  |  |  |  |  |  |  |  |  |  |  |  |  |  |  |  |  |   |   |   |   |  |  |  |   |
|                         |   | Detected    | 1     | Suspend detected  |  |  |  |  |  |  |  |  |  |  |  |  |  |  |  |  |  |  |  |  |  |  |  |  |   |   |   |   |  |  |  |   |
| C                       | RW RESUME   |             |       | Signals that a RESUME condition (K state or activity restart) has been detected on USB lines. Write '1' to clear. |  |  |  |  |  |  |  |  |  |  |  |  |  |  |  |  |  |  |  |  |  |  |  |  |   |   |   |   |  |  |  |   |
|                         |   | NotDetected | 0     | Resume not detected   |  |  |  |  |  |  |  |  |  |  |  |  |  |  |  |  |  |  |  |  |  |  |  |  |   |   |   |   |  |  |  |   |
|                         |   | Detected    | 1     | Resume detected   |  |  |  |  |  |  |  |  |  |  |  |  |  |  |  |  |  |  |  |  |  |  |  |  |   |   |   |   |  |  |  |   |
| D                       | RW USBWUALLOWED   |             |       | USB MAC has been woken up and operational. Write '1' to clear.  |  |  |  |  |  |  |  |  |  |  |  |  |  |  |  |  |  |  |  |  |  |  |  |  |   |   |   |   |  |  |  |   |
|                         |   | NotAllowed  | 0     | Wake up not allowed   |  |  |  |  |  |  |  |  |  |  |  |  |  |  |  |  |  |  |  |  |  |  |  |  |   |   |   |   |  |  |  |   |
|                         |   | Allowed     | 1     | Wake up allowed   |  |  |  |  |  |  |  |  |  |  |  |  |  |  |  |  |  |  |  |  |  |  |  |  |   |   |   |   |  |  |  |   |
| E                       | RW READY  |             |       | USB device is ready for normal operation. Write '1' to clear.   |  |  |  |  |  |  |  |  |  |  |  |  |  |  |  |  |  |  |  |  |  |  |  |  |   |   |   |   |  |  |  |   |
|                         |   | NotDetected | 0     | USBEVENT was not issued due to USB peripheral ready   |  |  |  |  |  |  |  |  |  |  |  |  |  |  |  |  |  |  |  |  |  |  |  |  |   |   |   |   |  |  |  |   |
|                         |   | Ready       | 1     | USB peripheral is ready   |  |  |  |  |  |  |  |  |  |  |  |  |  |  |  |  |  |  |  |  |  |  |  |  |   |   |   |   |  |  |  |   |

### 6.35.13.26 HALTED.EPIN[n] (n=0..7)

Address offset:  $0x420 + (n \times 0x4)$

IN endpoint halted status. Can be used as is as response to a GetStatus() request to endpoint.

| Bit number              | 31 30 29 28 27 26 25 24 23 22 21 20 19 18 17 16 15 14 13 12 11 10 9 8 7 6 5 4 3 2 1 0 |           |       |  |  |  |  |  |  |  |  |  |  |  |  |  |  |  |  |  |  |  |  |  |  |  |  |  |   |   |   |   |   |   |   |   |   |   |   |   |   |   |   |   |   |   |   |   |   |   |   |   |   |   |   |   |   |
|-------------------------|---|-----------|-------|--|--|--|--|--|--|--|--|--|--|--|--|--|--|--|--|--|--|--|--|--|--|--|--|--|---|---|---|---|---|---|---|---|---|---|---|---|---|---|---|---|---|---|---|---|---|---|---|---|---|---|---|---|---|
| ID                      |   |           |       |  |  |  |  |  |  |  |  |  |  |  |  |  |  |  |  |  |  |  |  |  |  |  |  |  | A | A | A | A | A | A | A | A | A | A | A | A | A | A | A | A | A | A | A | A | A | A | A | A | A | A | A | A | A |
| <b>Reset 0x00000000</b> | <b>0 0</b>    |           |       |  |  |  |  |  |  |  |  |  |  |  |  |  |  |  |  |  |  |  |  |  |  |  |  |  |   |   |   |   |   |   |   |   |   |   |   |   |   |   |   |   |   |   |   |   |   |   |   |   |   |   |   |   |   |
| ID                      | Acce Field  | Value ID  | Value | Description  |  |  |  |  |  |  |  |  |  |  |  |  |  |  |  |  |  |  |  |  |  |  |  |  |   |   |   |   |   |   |   |   |   |   |   |   |   |   |   |   |   |   |   |   |   |   |   |   |   |   |   |   |   |
| A                       | R GETSTATUS   |           |       | IN endpoint halted status. Can be used as is as response to a GetStatus() request to endpoint. |  |  |  |  |  |  |  |  |  |  |  |  |  |  |  |  |  |  |  |  |  |  |  |  |   |   |   |   |   |   |   |   |   |   |   |   |   |   |   |   |   |   |   |   |   |   |   |   |   |   |   |   |   |
|                         |   | NotHalted | 0     | Endpoint is not halted   |  |  |  |  |  |  |  |  |  |  |  |  |  |  |  |  |  |  |  |  |  |  |  |  |   |   |   |   |   |   |   |   |   |   |   |   |   |   |   |   |   |   |   |   |   |   |   |   |   |   |   |   |   |
|                         |   | Halted    | 1     | Endpoint is halted   |  |  |  |  |  |  |  |  |  |  |  |  |  |  |  |  |  |  |  |  |  |  |  |  |   |   |   |   |   |   |   |   |   |   |   |   |   |   |   |   |   |   |   |   |   |   |   |   |   |   |   |   |   |

### 6.35.13.27 HALTED.EPOUT[n] (n=0..7)

Address offset:  $0x444 + (n \times 0x4)$

OUT endpoint halted status. Can be used as is as response to a GetStatus() request to endpoint.

| Bit number              | 31 30 29 28 27 26 25 24 23 22 21 20 19 18 17 16 15 14 13 12 11 10 9 8 7 6 5 4 3 2 1 0 |           |       |   |  |  |  |  |  |  |  |  |  |  |  |  |  |  |  |  |  |  |  |  |  |  |  |  |   |   |   |   |   |   |   |   |   |   |   |   |   |   |   |   |   |   |   |   |   |   |   |   |   |   |   |   |   |
|-------------------------|---|-----------|-------|---|--|--|--|--|--|--|--|--|--|--|--|--|--|--|--|--|--|--|--|--|--|--|--|--|---|---|---|---|---|---|---|---|---|---|---|---|---|---|---|---|---|---|---|---|---|---|---|---|---|---|---|---|---|
| ID                      |   |           |       |   |  |  |  |  |  |  |  |  |  |  |  |  |  |  |  |  |  |  |  |  |  |  |  |  | A | A | A | A | A | A | A | A | A | A | A | A | A | A | A | A | A | A | A | A | A | A | A | A | A | A | A | A | A |
| <b>Reset 0x00000000</b> | <b>0 0</b>    |           |       |   |  |  |  |  |  |  |  |  |  |  |  |  |  |  |  |  |  |  |  |  |  |  |  |  |   |   |   |   |   |   |   |   |   |   |   |   |   |   |   |   |   |   |   |   |   |   |   |   |   |   |   |   |   |
| ID                      | Acce Field  | Value ID  | Value | Description   |  |  |  |  |  |  |  |  |  |  |  |  |  |  |  |  |  |  |  |  |  |  |  |  |   |   |   |   |   |   |   |   |   |   |   |   |   |   |   |   |   |   |   |   |   |   |   |   |   |   |   |   |   |
| A                       | R GETSTATUS   |           |       | OUT endpoint halted status. Can be used as is as response to a GetStatus() request to endpoint. |  |  |  |  |  |  |  |  |  |  |  |  |  |  |  |  |  |  |  |  |  |  |  |  |   |   |   |   |   |   |   |   |   |   |   |   |   |   |   |   |   |   |   |   |   |   |   |   |   |   |   |   |   |
|                         |   | NotHalted | 0     | Endpoint is not halted  |  |  |  |  |  |  |  |  |  |  |  |  |  |  |  |  |  |  |  |  |  |  |  |  |   |   |   |   |   |   |   |   |   |   |   |   |   |   |   |   |   |   |   |   |   |   |   |   |   |   |   |   |   |
|                         |   | Halted    | 1     | Endpoint is halted  |  |  |  |  |  |  |  |  |  |  |  |  |  |  |  |  |  |  |  |  |  |  |  |  |   |   |   |   |   |   |   |   |   |   |   |   |   |   |   |   |   |   |   |   |   |   |   |   |   |   |   |   |   |

### 6.35.13.28 EPSTATUS

Address offset: 0x468

Provides information on which endpoint's EasyDMA registers have been captured

| Bit number              | 31 30 29 28 27 26 25 24 23 22 21 20 19 18 17 16 15 14 13 12 11 10 9 8 7 6 5 4 3 2 1 0 |  |       |   |  |  |  |  |  |  |  |  |  |  |  |                   |  |  |  |  |  |  |  |  |  |  |  |  |  |  |  |  |
|-------------------------|---|--|-------|---|--|--|--|--|--|--|--|--|--|--|--|-------------------|--|--|--|--|--|--|--|--|--|--|--|--|--|--|--|--|
| ID                      | R Q P O N M L K J   |  |       |   |  |  |  |  |  |  |  |  |  |  |  | I H G F E D C B A |  |  |  |  |  |  |  |  |  |  |  |  |  |  |  |  |
| <b>Reset 0x00000000</b> |   | <b>0 0</b> |       |   |  |  |  |  |  |  |  |  |  |  |  |                   |  |  |  |  |  |  |  |  |  |  |  |  |  |  |  |  |
| ID                      | Acce Field  | Value ID   | Value | Description   |  |  |  |  |  |  |  |  |  |  |  |                   |  |  |  |  |  |  |  |  |  |  |  |  |  |  |  |  |
| A-I                     | RW EPIN[i] (i=0..8)   |  |       | Captured state of endpoint's EasyDMA registers. Write '1' to clear. |  |  |  |  |  |  |  |  |  |  |  |                   |  |  |  |  |  |  |  |  |  |  |  |  |  |  |  |  |
|                         |   | NoData   | 0     | EasyDMA registers have not been captured for this endpoint          |  |  |  |  |  |  |  |  |  |  |  |                   |  |  |  |  |  |  |  |  |  |  |  |  |  |  |  |  |
|                         |   | DataDone   | 1     | EasyDMA registers have been captured for this endpoint              |  |  |  |  |  |  |  |  |  |  |  |                   |  |  |  |  |  |  |  |  |  |  |  |  |  |  |  |  |
| J-R                     | RW EPOUT[i] (i=0..8)  |  |       | Captured state of endpoint's EasyDMA registers. Write '1' to clear. |  |  |  |  |  |  |  |  |  |  |  |                   |  |  |  |  |  |  |  |  |  |  |  |  |  |  |  |  |
|                         |   | NoData   | 0     | EasyDMA registers have not been captured for this endpoint          |  |  |  |  |  |  |  |  |  |  |  |                   |  |  |  |  |  |  |  |  |  |  |  |  |  |  |  |  |
|                         |   | DataDone   | 1     | EasyDMA registers have been captured for this endpoint              |  |  |  |  |  |  |  |  |  |  |  |                   |  |  |  |  |  |  |  |  |  |  |  |  |  |  |  |  |

### 6.35.13.29 EPDATASTATUS

Address offset: 0x46C

Provides information on which endpoint(s) an acknowledged data transfer has occurred (EPDATA event)

| Bit number              | 31 30 29 28 27 26 25 24 23 22 21 20 19 18 17 16 15 14 13 12 11 10 9 8 7 6 5 4 3 2 1 0 |  |       |  |  |  |  |  |  |  |  |  |  |  |  |               |  |  |  |  |  |  |  |  |  |  |  |  |  |  |  |  |
|-------------------------|---|--|-------|--|--|--|--|--|--|--|--|--|--|--|--|---------------|--|--|--|--|--|--|--|--|--|--|--|--|--|--|--|--|
| ID                      | N M L K J I H   |  |       |  |  |  |  |  |  |  |  |  |  |  |  | G F E D C B A |  |  |  |  |  |  |  |  |  |  |  |  |  |  |  |  |
| <b>Reset 0x00000000</b> |   | <b>0 0</b> |       |  |  |  |  |  |  |  |  |  |  |  |  |               |  |  |  |  |  |  |  |  |  |  |  |  |  |  |  |  |
| ID                      | Acce Field  | Value ID   | Value | Description  |  |  |  |  |  |  |  |  |  |  |  |               |  |  |  |  |  |  |  |  |  |  |  |  |  |  |  |  |
| A-G                     | RW EPIN[i] (i=1..7)   |  |       | Acknowledged data transfer on this IN endpoint. Write '1' to clear.  |  |  |  |  |  |  |  |  |  |  |  |               |  |  |  |  |  |  |  |  |  |  |  |  |  |  |  |  |
|                         |   | NotDone  | 0     | No acknowledged data transfer on this endpoint                       |  |  |  |  |  |  |  |  |  |  |  |               |  |  |  |  |  |  |  |  |  |  |  |  |  |  |  |  |
|                         |   | DataDone   | 1     | Acknowledged data transfer on this endpoint has occurred             |  |  |  |  |  |  |  |  |  |  |  |               |  |  |  |  |  |  |  |  |  |  |  |  |  |  |  |  |
| H-N                     | RW EPOUT[i] (i=1..7)  |  |       | Acknowledged data transfer on this OUT endpoint. Write '1' to clear. |  |  |  |  |  |  |  |  |  |  |  |               |  |  |  |  |  |  |  |  |  |  |  |  |  |  |  |  |
|                         |   | NotStarted   | 0     | No acknowledged data transfer on this endpoint                       |  |  |  |  |  |  |  |  |  |  |  |               |  |  |  |  |  |  |  |  |  |  |  |  |  |  |  |  |
|                         |   | Started  | 1     | Acknowledged data transfer on this endpoint has occurred             |  |  |  |  |  |  |  |  |  |  |  |               |  |  |  |  |  |  |  |  |  |  |  |  |  |  |  |  |

### 6.35.13.30 USBADDR

Address offset: 0x470

Device USB address

| Bit number              | 31 30 29 28 27 26 25 24 23 22 21 20 19 18 17 16 15 14 13 12 11 10 9 8 7 6 5 4 3 2 1 0 |  |       |                    |  |  |  |  |  |  |  |  |  |  |  |  |               |  |  |  |  |  |  |  |  |  |  |  |  |  |  |  |
|-------------------------|---|--|-------|--------------------|--|--|--|--|--|--|--|--|--|--|--|--|---------------|--|--|--|--|--|--|--|--|--|--|--|--|--|--|--|
| ID                      |   |  |       |                    |  |  |  |  |  |  |  |  |  |  |  |  | A A A A A A A |  |  |  |  |  |  |  |  |  |  |  |  |  |  |  |
| <b>Reset 0x00000000</b> |   | <b>0 0</b> |       |                    |  |  |  |  |  |  |  |  |  |  |  |  |               |  |  |  |  |  |  |  |  |  |  |  |  |  |  |  |
| ID                      | Acce Field  | Value ID   | Value | Description        |  |  |  |  |  |  |  |  |  |  |  |  |               |  |  |  |  |  |  |  |  |  |  |  |  |  |  |  |
| A                       | R ADDR  |  |       | Device USB address |  |  |  |  |  |  |  |  |  |  |  |  |               |  |  |  |  |  |  |  |  |  |  |  |  |  |  |  |

### 6.35.13.31 BMREQUESTTYPE

Address offset: 0x480

SETUP data, byte 0, bmRequestType

| Bit number              | 31 30 29 28 27 26 25 24 23 22 21 20 19 18 17 16 15 14 13 12 11 10 9 8 7 6 5 4 3 2 1 0 |           |              |       |                         |  |  |  |  |  |  |  |  |  |  |  |  |  |  |  |  |  |  |  |  |  |  |  |  |  |   |   |   |   |   |   |   |  |  |  |  |  |  |  |  |  |  |
|-------------------------|---|-----------|--------------|-------|-------------------------|--|--|--|--|--|--|--|--|--|--|--|--|--|--|--|--|--|--|--|--|--|--|--|--|--|---|---|---|---|---|---|---|--|--|--|--|--|--|--|--|--|--|
| ID                      |   |           |              |       |                         |  |  |  |  |  |  |  |  |  |  |  |  |  |  |  |  |  |  |  |  |  |  |  |  |  | C | B | B | A | A | A | A |  |  |  |  |  |  |  |  |  |  |
| <b>Reset 0x00000000</b> | <b>0 0</b>                |           |              |       |                         |  |  |  |  |  |  |  |  |  |  |  |  |  |  |  |  |  |  |  |  |  |  |  |  |  |   |   |   |   |   |   |   |  |  |  |  |  |  |  |  |  |  |
| ID                      | Acce  | Field     | Value ID     | Value | Description             |  |  |  |  |  |  |  |  |  |  |  |  |  |  |  |  |  |  |  |  |  |  |  |  |  |   |   |   |   |   |   |   |  |  |  |  |  |  |  |  |  |  |
| A                       | R   | RECIPIENT |              |       | Data transfer type      |  |  |  |  |  |  |  |  |  |  |  |  |  |  |  |  |  |  |  |  |  |  |  |  |  |   |   |   |   |   |   |   |  |  |  |  |  |  |  |  |  |  |
|                         |   |           | Device       | 0     | Device                  |  |  |  |  |  |  |  |  |  |  |  |  |  |  |  |  |  |  |  |  |  |  |  |  |  |   |   |   |   |   |   |   |  |  |  |  |  |  |  |  |  |  |
|                         |   |           | Interface    | 1     | Interface               |  |  |  |  |  |  |  |  |  |  |  |  |  |  |  |  |  |  |  |  |  |  |  |  |  |   |   |   |   |   |   |   |  |  |  |  |  |  |  |  |  |  |
|                         |   |           | Endpoint     | 2     | Endpoint                |  |  |  |  |  |  |  |  |  |  |  |  |  |  |  |  |  |  |  |  |  |  |  |  |  |   |   |   |   |   |   |   |  |  |  |  |  |  |  |  |  |  |
|                         |   |           | Other        | 3     | Other                   |  |  |  |  |  |  |  |  |  |  |  |  |  |  |  |  |  |  |  |  |  |  |  |  |  |   |   |   |   |   |   |   |  |  |  |  |  |  |  |  |  |  |
| B                       | R   | TYPE      |              |       | Data transfer type      |  |  |  |  |  |  |  |  |  |  |  |  |  |  |  |  |  |  |  |  |  |  |  |  |  |   |   |   |   |   |   |   |  |  |  |  |  |  |  |  |  |  |
|                         |   |           | Standard     | 0     | Standard                |  |  |  |  |  |  |  |  |  |  |  |  |  |  |  |  |  |  |  |  |  |  |  |  |  |   |   |   |   |   |   |   |  |  |  |  |  |  |  |  |  |  |
|                         |   |           | Class        | 1     | Class                   |  |  |  |  |  |  |  |  |  |  |  |  |  |  |  |  |  |  |  |  |  |  |  |  |  |   |   |   |   |   |   |   |  |  |  |  |  |  |  |  |  |  |
|                         |   |           | Vendor       | 2     | Vendor                  |  |  |  |  |  |  |  |  |  |  |  |  |  |  |  |  |  |  |  |  |  |  |  |  |  |   |   |   |   |   |   |   |  |  |  |  |  |  |  |  |  |  |
| C                       | R   | DIRECTION |              |       | Data transfer direction |  |  |  |  |  |  |  |  |  |  |  |  |  |  |  |  |  |  |  |  |  |  |  |  |  |   |   |   |   |   |   |   |  |  |  |  |  |  |  |  |  |  |
|                         |   |           | HostToDevice | 0     | Host-to-device          |  |  |  |  |  |  |  |  |  |  |  |  |  |  |  |  |  |  |  |  |  |  |  |  |  |   |   |   |   |   |   |   |  |  |  |  |  |  |  |  |  |  |
|                         |   |           | DeviceToHost | 1     | Device-to-host          |  |  |  |  |  |  |  |  |  |  |  |  |  |  |  |  |  |  |  |  |  |  |  |  |  |   |   |   |   |   |   |   |  |  |  |  |  |  |  |  |  |  |

### 6.35.13.32 BREQUEST

Address offset: 0x484

SETUP data, byte 1, bRequest

| Bit number              | 31 30 29 28 27 26 25 24 23 22 21 20 19 18 17 16 15 14 13 12 11 10 9 8 7 6 5 4 3 2 1 0 |          |                       |       |  |  |  |  |  |  |  |  |  |  |  |  |  |  |  |  |  |  |  |  |  |  |  |  |  |  |   |   |   |   |   |   |  |  |  |  |  |  |  |  |  |  |
|-------------------------|---|----------|-----------------------|-------|--|--|--|--|--|--|--|--|--|--|--|--|--|--|--|--|--|--|--|--|--|--|--|--|--|--|---|---|---|---|---|---|--|--|--|--|--|--|--|--|--|--|
| ID                      |   |          |                       |       |  |  |  |  |  |  |  |  |  |  |  |  |  |  |  |  |  |  |  |  |  |  |  |  |  |  | A | A | A | A | A | A |  |  |  |  |  |  |  |  |  |  |
| <b>Reset 0x00000000</b> | <b>0 0</b>                |          |                       |       |  |  |  |  |  |  |  |  |  |  |  |  |  |  |  |  |  |  |  |  |  |  |  |  |  |  |   |   |   |   |   |   |  |  |  |  |  |  |  |  |  |  |
| ID                      | Acce  | Field    | Value ID              | Value | Description  |  |  |  |  |  |  |  |  |  |  |  |  |  |  |  |  |  |  |  |  |  |  |  |  |  |   |   |   |   |   |   |  |  |  |  |  |  |  |  |  |  |
| A                       | R   | BREQUEST |                       |       | SETUP data, byte 1, bRequest. Values provided for standard requests only, user must implement class and vendor values. |  |  |  |  |  |  |  |  |  |  |  |  |  |  |  |  |  |  |  |  |  |  |  |  |  |   |   |   |   |   |   |  |  |  |  |  |  |  |  |  |  |
|                         |   |          | STD_GET_STATUS        | 0     | Standard request GET_STATUS  |  |  |  |  |  |  |  |  |  |  |  |  |  |  |  |  |  |  |  |  |  |  |  |  |  |   |   |   |   |   |   |  |  |  |  |  |  |  |  |  |  |
|                         |   |          | STD_CLEAR_FEATURE     | 1     | Standard request CLEAR_FEATURE   |  |  |  |  |  |  |  |  |  |  |  |  |  |  |  |  |  |  |  |  |  |  |  |  |  |   |   |   |   |   |   |  |  |  |  |  |  |  |  |  |  |
|                         |   |          | STD_SET_FEATURE       | 3     | Standard request SET_FEATURE   |  |  |  |  |  |  |  |  |  |  |  |  |  |  |  |  |  |  |  |  |  |  |  |  |  |   |   |   |   |   |   |  |  |  |  |  |  |  |  |  |  |
|                         |   |          | STD_SET_ADDRESS       | 5     | Standard request SET_ADDRESS   |  |  |  |  |  |  |  |  |  |  |  |  |  |  |  |  |  |  |  |  |  |  |  |  |  |   |   |   |   |   |   |  |  |  |  |  |  |  |  |  |  |
|                         |   |          | STD_GET_DESCRIPTOR    | 6     | Standard request GET_DESCRIPTOR  |  |  |  |  |  |  |  |  |  |  |  |  |  |  |  |  |  |  |  |  |  |  |  |  |  |   |   |   |   |   |   |  |  |  |  |  |  |  |  |  |  |
|                         |   |          | STD_SET_DESCRIPTOR    | 7     | Standard request SET_DESCRIPTOR  |  |  |  |  |  |  |  |  |  |  |  |  |  |  |  |  |  |  |  |  |  |  |  |  |  |   |   |   |   |   |   |  |  |  |  |  |  |  |  |  |  |
|                         |   |          | STD_GET_CONFIGURATION | 8     | Standard request GET_CONFIGURATION   |  |  |  |  |  |  |  |  |  |  |  |  |  |  |  |  |  |  |  |  |  |  |  |  |  |   |   |   |   |   |   |  |  |  |  |  |  |  |  |  |  |
|                         |   |          | STD_SET_CONFIGURATION | 9     | Standard request SET_CONFIGURATION   |  |  |  |  |  |  |  |  |  |  |  |  |  |  |  |  |  |  |  |  |  |  |  |  |  |   |   |   |   |   |   |  |  |  |  |  |  |  |  |  |  |
|                         |   |          | STD_GET_INTERFACE     | 10    | Standard request GET_INTERFACE   |  |  |  |  |  |  |  |  |  |  |  |  |  |  |  |  |  |  |  |  |  |  |  |  |  |   |   |   |   |   |   |  |  |  |  |  |  |  |  |  |  |
|                         |   |          | STD_SET_INTERFACE     | 11    | Standard request SET_INTERFACE   |  |  |  |  |  |  |  |  |  |  |  |  |  |  |  |  |  |  |  |  |  |  |  |  |  |   |   |   |   |   |   |  |  |  |  |  |  |  |  |  |  |
|                         |   |          | STD_SYNCH_FRAME       | 12    | Standard request SYNCH_FRAME   |  |  |  |  |  |  |  |  |  |  |  |  |  |  |  |  |  |  |  |  |  |  |  |  |  |   |   |   |   |   |   |  |  |  |  |  |  |  |  |  |  |

### 6.35.13.33 WVALUEL

Address offset: 0x488

SETUP data, byte 2, LSB of wValue

| Bit number              | 31 30 29 28 27 26 25 24 23 22 21 20 19 18 17 16 15 14 13 12 11 10 9 8 7 6 5 4 3 2 1 0 |         |          |       |                                   |  |  |  |  |  |  |  |  |  |  |  |  |  |  |  |  |  |  |  |  |  |  |  |  |  |   |   |   |   |   |   |  |  |  |  |  |  |  |  |  |  |
|-------------------------|---|---------|----------|-------|-----------------------------------|--|--|--|--|--|--|--|--|--|--|--|--|--|--|--|--|--|--|--|--|--|--|--|--|--|---|---|---|---|---|---|--|--|--|--|--|--|--|--|--|--|
| ID                      |   |         |          |       |                                   |  |  |  |  |  |  |  |  |  |  |  |  |  |  |  |  |  |  |  |  |  |  |  |  |  | A | A | A | A | A | A |  |  |  |  |  |  |  |  |  |  |
| <b>Reset 0x00000000</b> | <b>0 0</b>                |         |          |       |                                   |  |  |  |  |  |  |  |  |  |  |  |  |  |  |  |  |  |  |  |  |  |  |  |  |  |   |   |   |   |   |   |  |  |  |  |  |  |  |  |  |  |
| ID                      | Acce  | Field   | Value ID | Value | Description                       |  |  |  |  |  |  |  |  |  |  |  |  |  |  |  |  |  |  |  |  |  |  |  |  |  |   |   |   |   |   |   |  |  |  |  |  |  |  |  |  |  |
| A                       | R   | WVALUEL |          |       | SETUP data, byte 2, LSB of wValue |  |  |  |  |  |  |  |  |  |  |  |  |  |  |  |  |  |  |  |  |  |  |  |  |  |   |   |   |   |   |   |  |  |  |  |  |  |  |  |  |  |

### 6.35.13.34 WVALUEH

Address offset: 0x48C

SETUP data, byte 3, MSB of wValue

|                  |   |          |       |                                   |    |    |    |    |    |    |    |    |    |    |    |    |    |    |    |    |    |    |   |   |   |   |   |   |   |   |   |   |
|------------------|---|----------|-------|-----------------------------------|----|----|----|----|----|----|----|----|----|----|----|----|----|----|----|----|----|----|---|---|---|---|---|---|---|---|---|---|
| Bit number       | 31  | 30       | 29    | 28                                | 27 | 26 | 25 | 24 | 23 | 22 | 21 | 20 | 19 | 18 | 17 | 16 | 15 | 14 | 13 | 12 | 11 | 10 | 9 | 8 | 7 | 6 | 5 | 4 | 3 | 2 | 1 | 0 |
| ID               | A A A A A A A A   |          |       |                                   |    |    |    |    |    |    |    |    |    |    |    |    |    |    |    |    |    |    |   |   |   |   |   |   |   |   |   |   |
| Reset 0x00000000 | 0 |          |       |                                   |    |    |    |    |    |    |    |    |    |    |    |    |    |    |    |    |    |    |   |   |   |   |   |   |   |   |   |   |
| ID               | Acce Field  | Value ID | Value | Description                       |    |    |    |    |    |    |    |    |    |    |    |    |    |    |    |    |    |    |   |   |   |   |   |   |   |   |   |   |
| A                | R   | WVALUEH  |       | SETUP data, byte 3, MSB of wValue |    |    |    |    |    |    |    |    |    |    |    |    |    |    |    |    |    |    |   |   |   |   |   |   |   |   |   |   |

### 6.35.13.35 WINDEXL

Address offset: 0x490

SETUP data, byte 4, LSB of wIndex

|                  |   |          |       |                                   |    |    |    |    |    |    |    |    |    |    |    |    |    |    |    |    |    |    |   |   |   |   |   |   |   |   |   |   |
|------------------|---|----------|-------|-----------------------------------|----|----|----|----|----|----|----|----|----|----|----|----|----|----|----|----|----|----|---|---|---|---|---|---|---|---|---|---|
| Bit number       | 31  | 30       | 29    | 28                                | 27 | 26 | 25 | 24 | 23 | 22 | 21 | 20 | 19 | 18 | 17 | 16 | 15 | 14 | 13 | 12 | 11 | 10 | 9 | 8 | 7 | 6 | 5 | 4 | 3 | 2 | 1 | 0 |
| ID               | A A A A A A A A   |          |       |                                   |    |    |    |    |    |    |    |    |    |    |    |    |    |    |    |    |    |    |   |   |   |   |   |   |   |   |   |   |
| Reset 0x00000000 | 0 |          |       |                                   |    |    |    |    |    |    |    |    |    |    |    |    |    |    |    |    |    |    |   |   |   |   |   |   |   |   |   |   |
| ID               | Acce Field  | Value ID | Value | Description                       |    |    |    |    |    |    |    |    |    |    |    |    |    |    |    |    |    |    |   |   |   |   |   |   |   |   |   |   |
| A                | R   | WINDEXL  |       | SETUP data, byte 4, LSB of wIndex |    |    |    |    |    |    |    |    |    |    |    |    |    |    |    |    |    |    |   |   |   |   |   |   |   |   |   |   |

### 6.35.13.36 WINDEXH

Address offset: 0x494

SETUP data, byte 5, MSB of wIndex

|                  |   |          |       |                                   |    |    |    |    |    |    |    |    |    |    |    |    |    |    |    |    |    |    |   |   |   |   |   |   |   |   |   |   |
|------------------|---|----------|-------|-----------------------------------|----|----|----|----|----|----|----|----|----|----|----|----|----|----|----|----|----|----|---|---|---|---|---|---|---|---|---|---|
| Bit number       | 31  | 30       | 29    | 28                                | 27 | 26 | 25 | 24 | 23 | 22 | 21 | 20 | 19 | 18 | 17 | 16 | 15 | 14 | 13 | 12 | 11 | 10 | 9 | 8 | 7 | 6 | 5 | 4 | 3 | 2 | 1 | 0 |
| ID               | A A A A A A A A   |          |       |                                   |    |    |    |    |    |    |    |    |    |    |    |    |    |    |    |    |    |    |   |   |   |   |   |   |   |   |   |   |
| Reset 0x00000000 | 0 |          |       |                                   |    |    |    |    |    |    |    |    |    |    |    |    |    |    |    |    |    |    |   |   |   |   |   |   |   |   |   |   |
| ID               | Acce Field  | Value ID | Value | Description                       |    |    |    |    |    |    |    |    |    |    |    |    |    |    |    |    |    |    |   |   |   |   |   |   |   |   |   |   |
| A                | R   | WINDEXH  |       | SETUP data, byte 5, MSB of wIndex |    |    |    |    |    |    |    |    |    |    |    |    |    |    |    |    |    |    |   |   |   |   |   |   |   |   |   |   |

### 6.35.13.37 WLENGTHL

Address offset: 0x498

SETUP data, byte 6, LSB of wLength

|                  |   |          |       |                                    |    |    |    |    |    |    |    |    |    |    |    |    |    |    |    |    |    |    |   |   |   |   |   |   |   |   |   |   |
|------------------|---|----------|-------|------------------------------------|----|----|----|----|----|----|----|----|----|----|----|----|----|----|----|----|----|----|---|---|---|---|---|---|---|---|---|---|
| Bit number       | 31  | 30       | 29    | 28                                 | 27 | 26 | 25 | 24 | 23 | 22 | 21 | 20 | 19 | 18 | 17 | 16 | 15 | 14 | 13 | 12 | 11 | 10 | 9 | 8 | 7 | 6 | 5 | 4 | 3 | 2 | 1 | 0 |
| ID               | A A A A A A A A   |          |       |                                    |    |    |    |    |    |    |    |    |    |    |    |    |    |    |    |    |    |    |   |   |   |   |   |   |   |   |   |   |
| Reset 0x00000000 | 0 |          |       |                                    |    |    |    |    |    |    |    |    |    |    |    |    |    |    |    |    |    |    |   |   |   |   |   |   |   |   |   |   |
| ID               | Acce Field  | Value ID | Value | Description                        |    |    |    |    |    |    |    |    |    |    |    |    |    |    |    |    |    |    |   |   |   |   |   |   |   |   |   |   |
| A                | R   | WLENGTHL |       | SETUP data, byte 6, LSB of wLength |    |    |    |    |    |    |    |    |    |    |    |    |    |    |    |    |    |    |   |   |   |   |   |   |   |   |   |   |

### 6.35.13.38 WLENGTHH

Address offset: 0x49C

SETUP data, byte 7, MSB of wLength



|                         |            |          |       |                                    |    |    |    |    |    |    |    |    |    |    |    |    |    |    |    |    |    |    |   |   |   |   |   |   |   |   |   |   |   |   |   |   |   |   |   |   |   |   |   |   |   |   |   |   |   |   |   |   |   |   |   |   |
|-------------------------|------------|----------|-------|------------------------------------|----|----|----|----|----|----|----|----|----|----|----|----|----|----|----|----|----|----|---|---|---|---|---|---|---|---|---|---|---|---|---|---|---|---|---|---|---|---|---|---|---|---|---|---|---|---|---|---|---|---|---|---|
| Bit number              | 31         | 30       | 29    | 28                                 | 27 | 26 | 25 | 24 | 23 | 22 | 21 | 20 | 19 | 18 | 17 | 16 | 15 | 14 | 13 | 12 | 11 | 10 | 9 | 8 | 7 | 6 | 5 | 4 | 3 | 2 | 1 | 0 |   |   |   |   |   |   |   |   |   |   |   |   |   |   |   |   |   |   |   |   |   |   |   |   |
| ID                      |            |          |       |                                    |    |    |    |    |    |    |    |    |    |    |    |    |    |    |    |    |    |    |   |   |   |   | A | A | A | A | A | A | A | A | A | A | A | A | A | A | A | A | A | A | A | A | A | A | A | A | A | A | A | A | A | A |
| <b>Reset 0x00000000</b> | 0          |          |       |                                    |    |    |    |    |    |    |    |    |    |    |    |    |    |    |    |    |    |    |   |   |   |   | 0 | 0 | 0 | 0 | 0 | 0 | 0 | 0 | 0 | 0 | 0 | 0 | 0 | 0 | 0 | 0 | 0 | 0 | 0 | 0 | 0 | 0 | 0 | 0 | 0 | 0 | 0 | 0 | 0 | 0 |
| ID                      | Acce Field | Value ID | Value | Description                        |    |    |    |    |    |    |    |    |    |    |    |    |    |    |    |    |    |    |   |   |   |   |   |   |   |   |   |   |   |   |   |   |   |   |   |   |   |   |   |   |   |   |   |   |   |   |   |   |   |   |   |   |
| A                       | R          | WLENGTHH |       | SETUP data, byte 7, MSB of wLength |    |    |    |    |    |    |    |    |    |    |    |    |    |    |    |    |    |    |   |   |   |   |   |   |   |   |   |   |   |   |   |   |   |   |   |   |   |   |   |   |   |   |   |   |   |   |   |   |   |   |   |   |

### 6.35.13.39 SIZE.EPOUT[n] (n=0..7)

Address offset: 0x4A0 + (n × 0x4)

Number of bytes received last in the data stage of this OUT endpoint

Write to any value to accept further OUT traffic on this endpoint, and overwrite the intermediate buffer

|                         |            |          |       |  |    |    |    |    |    |    |    |    |    |    |    |    |    |    |    |    |    |    |   |   |   |   |   |   |   |   |   |   |   |   |   |   |   |   |   |   |   |   |   |   |   |   |   |   |   |   |   |   |   |   |   |   |
|-------------------------|------------|----------|-------|--|----|----|----|----|----|----|----|----|----|----|----|----|----|----|----|----|----|----|---|---|---|---|---|---|---|---|---|---|---|---|---|---|---|---|---|---|---|---|---|---|---|---|---|---|---|---|---|---|---|---|---|---|
| Bit number              | 31         | 30       | 29    | 28   | 27 | 26 | 25 | 24 | 23 | 22 | 21 | 20 | 19 | 18 | 17 | 16 | 15 | 14 | 13 | 12 | 11 | 10 | 9 | 8 | 7 | 6 | 5 | 4 | 3 | 2 | 1 | 0 |   |   |   |   |   |   |   |   |   |   |   |   |   |   |   |   |   |   |   |   |   |   |   |   |
| ID                      |            |          |       |  |    |    |    |    |    |    |    |    |    |    |    |    |    |    |    |    |    |    |   |   |   |   | A | A | A | A | A | A | A | A | A | A | A | A | A | A | A | A | A | A | A | A | A | A | A | A | A | A | A | A | A | A |
| <b>Reset 0x00000000</b> | 0          |          |       |  |    |    |    |    |    |    |    |    |    |    |    |    |    |    |    |    |    |    |   |   |   |   | 0 | 0 | 0 | 0 | 0 | 0 | 0 | 0 | 0 | 0 | 0 | 0 | 0 | 0 | 0 | 0 | 0 | 0 | 0 | 0 | 0 | 0 | 0 | 0 | 0 | 0 | 0 | 0 | 0 | 0 |
| ID                      | Acce Field | Value ID | Value | Description  |    |    |    |    |    |    |    |    |    |    |    |    |    |    |    |    |    |    |   |   |   |   |   |   |   |   |   |   |   |   |   |   |   |   |   |   |   |   |   |   |   |   |   |   |   |   |   |   |   |   |   |   |
| A                       | R          | SIZE     |       | Number of bytes received last in the data stage of this OUT endpoint |    |    |    |    |    |    |    |    |    |    |    |    |    |    |    |    |    |    |   |   |   |   |   |   |   |   |   |   |   |   |   |   |   |   |   |   |   |   |   |   |   |   |   |   |   |   |   |   |   |   |   |   |

### 6.35.13.40 SIZE.ISOOUT

Address offset: 0x4C0

Number of bytes received last on this ISO OUT data endpoint

|                         |            |          |       |   |    |    |    |    |    |    |    |    |    |    |    |    |    |    |    |    |    |    |   |   |   |   |   |   |   |   |   |   |   |   |   |   |   |   |   |   |   |   |   |   |
|-------------------------|------------|----------|-------|---|----|----|----|----|----|----|----|----|----|----|----|----|----|----|----|----|----|----|---|---|---|---|---|---|---|---|---|---|---|---|---|---|---|---|---|---|---|---|---|---|
| Bit number              | 31         | 30       | 29    | 28  | 27 | 26 | 25 | 24 | 23 | 22 | 21 | 20 | 19 | 18 | 17 | 16 | 15 | 14 | 13 | 12 | 11 | 10 | 9 | 8 | 7 | 6 | 5 | 4 | 3 | 2 | 1 | 0 |   |   |   |   |   |   |   |   |   |   |   |   |
| ID                      |            |          |       |   |    |    |    |    |    |    |    |    |    | B  |    |    |    |    |    |    |    |    |   |   |   |   |   | A | A | A | A | A | A | A | A | A | A | A | A | A | A | A | A |   |
| <b>Reset 0x00010000</b> | 0          |          |       |   |    |    |    |    |    |    |    |    |    | 0  | 0  | 0  | 0  | 0  | 0  | 0  | 0  | 0  | 0 | 0 | 0 | 0 | 0 | 0 | 0 | 0 | 0 | 0 | 0 | 0 | 0 | 0 | 0 | 0 | 0 | 0 | 0 | 0 | 0 | 0 |
| ID                      | Acce Field | Value ID | Value | Description   |    |    |    |    |    |    |    |    |    |    |    |    |    |    |    |    |    |    |   |   |   |   |   |   |   |   |   |   |   |   |   |   |   |   |   |   |   |   |   |   |
| A                       | R          | SIZE     |       | Number of bytes received last on this ISO OUT data endpoint |    |    |    |    |    |    |    |    |    |    |    |    |    |    |    |    |    |    |   |   |   |   |   |   |   |   |   |   |   |   |   |   |   |   |   |   |   |   |   |   |
| B                       | R          | ZERO     |       | Zero-length data packet received                            |    |    |    |    |    |    |    |    |    |    |    |    |    |    |    |    |    |    |   |   |   |   |   |   |   |   |   |   |   |   |   |   |   |   |   |   |   |   |   |   |
|                         |            | Normal   | 0     | No zero-length data received, use value in SIZE             |    |    |    |    |    |    |    |    |    |    |    |    |    |    |    |    |    |    |   |   |   |   |   |   |   |   |   |   |   |   |   |   |   |   |   |   |   |   |   |   |
|                         |            | ZeroData | 1     | Zero-length data received, ignore value in SIZE             |    |    |    |    |    |    |    |    |    |    |    |    |    |    |    |    |    |    |   |   |   |   |   |   |   |   |   |   |   |   |   |   |   |   |   |   |   |   |   |   |

### 6.35.13.41 ENABLE

Address offset: 0x500

Enable USB

After writing Disabled to this register, reading the register will return Enabled until USB is completely disabled.

|                         |            |          |       |                            |    |    |    |    |    |    |    |    |    |    |    |    |    |    |    |    |    |    |   |   |   |   |   |   |   |   |   |   |   |   |   |   |   |   |   |   |   |   |   |   |   |   |   |   |   |   |   |   |   |   |   |   |
|-------------------------|------------|----------|-------|----------------------------|----|----|----|----|----|----|----|----|----|----|----|----|----|----|----|----|----|----|---|---|---|---|---|---|---|---|---|---|---|---|---|---|---|---|---|---|---|---|---|---|---|---|---|---|---|---|---|---|---|---|---|---|
| Bit number              | 31         | 30       | 29    | 28                         | 27 | 26 | 25 | 24 | 23 | 22 | 21 | 20 | 19 | 18 | 17 | 16 | 15 | 14 | 13 | 12 | 11 | 10 | 9 | 8 | 7 | 6 | 5 | 4 | 3 | 2 | 1 | 0 |   |   |   |   |   |   |   |   |   |   |   |   |   |   |   |   |   |   |   |   |   |   |   |   |
| ID                      |            |          |       |                            |    |    |    |    |    |    |    |    |    |    |    |    |    |    |    |    |    |    |   |   |   |   | A |   |   |   |   |   |   |   |   |   |   |   |   |   |   |   |   |   |   |   |   |   |   |   |   |   |   |   |   |   |
| <b>Reset 0x00000000</b> | 0          |          |       |                            |    |    |    |    |    |    |    |    |    |    |    |    |    |    |    |    |    |    |   |   |   |   | 0 | 0 | 0 | 0 | 0 | 0 | 0 | 0 | 0 | 0 | 0 | 0 | 0 | 0 | 0 | 0 | 0 | 0 | 0 | 0 | 0 | 0 | 0 | 0 | 0 | 0 | 0 | 0 | 0 | 0 |
| ID                      | Acce Field | Value ID | Value | Description                |    |    |    |    |    |    |    |    |    |    |    |    |    |    |    |    |    |    |   |   |   |   |   |   |   |   |   |   |   |   |   |   |   |   |   |   |   |   |   |   |   |   |   |   |   |   |   |   |   |   |   |   |
| A                       | RW         | ENABLE   |       | Enable USB                 |    |    |    |    |    |    |    |    |    |    |    |    |    |    |    |    |    |    |   |   |   |   |   |   |   |   |   |   |   |   |   |   |   |   |   |   |   |   |   |   |   |   |   |   |   |   |   |   |   |   |   |   |
|                         |            | Disabled | 0     | USB peripheral is disabled |    |    |    |    |    |    |    |    |    |    |    |    |    |    |    |    |    |    |   |   |   |   |   |   |   |   |   |   |   |   |   |   |   |   |   |   |   |   |   |   |   |   |   |   |   |   |   |   |   |   |   |   |
|                         |            | Enabled  | 1     | USB peripheral is enabled  |    |    |    |    |    |    |    |    |    |    |    |    |    |    |    |    |    |    |   |   |   |   |   |   |   |   |   |   |   |   |   |   |   |   |   |   |   |   |   |   |   |   |   |   |   |   |   |   |   |   |   |   |

### 6.35.13.42 USBPULLUP

Address offset: 0x504

Control of the USB pull-up

| Bit number              | 31 30 29 28 27 26 25 24 23 22 21 20 19 18 17 16 15 14 13 12 11 10 9 8 7 6 5 4 3 2 1 0 |          |       |   |  |  |  |  |  |  |  |  |  |  |  |  |  |  |  |  |  |  |  |  |  |  |  |  |  |  |  |   |
|-------------------------|---|----------|-------|---|--|--|--|--|--|--|--|--|--|--|--|--|--|--|--|--|--|--|--|--|--|--|--|--|--|--|--|---|
| ID                      |   |          |       |   |  |  |  |  |  |  |  |  |  |  |  |  |  |  |  |  |  |  |  |  |  |  |  |  |  |  |  | A |
| <b>Reset 0x00000000</b> | <b>0 0</b>              |          |       |   |  |  |  |  |  |  |  |  |  |  |  |  |  |  |  |  |  |  |  |  |  |  |  |  |  |  |  |   |
| ID                      | Acce Field  | Value ID | Value | Description                               |  |  |  |  |  |  |  |  |  |  |  |  |  |  |  |  |  |  |  |  |  |  |  |  |  |  |  |   |
| A                       | RW CONNECT  |          |       | Control of the USB pull-up on the D+ line |  |  |  |  |  |  |  |  |  |  |  |  |  |  |  |  |  |  |  |  |  |  |  |  |  |  |  |   |
|                         |   | Disabled | 0     | Pull-up is disconnected                   |  |  |  |  |  |  |  |  |  |  |  |  |  |  |  |  |  |  |  |  |  |  |  |  |  |  |  |   |
|                         |   | Enabled  | 1     | Pull-up is connected to D+                |  |  |  |  |  |  |  |  |  |  |  |  |  |  |  |  |  |  |  |  |  |  |  |  |  |  |  |   |

### 6.35.13.43 DPDMVALUE

Address offset: 0x508

State D+ and D- lines will be forced into by the DPMDRIVE task. The DPDMNODRIVE task reverts the control of the lines to MAC IP (no forcing).

| Bit number              | 31 30 29 28 27 26 25 24 23 22 21 20 19 18 17 16 15 14 13 12 11 10 9 8 7 6 5 4 3 2 1 0 |          |       |  |  |  |  |  |  |  |  |  |  |  |  |  |  |  |  |  |  |  |  |  |  |  |  |  |  |  |  |           |
|-------------------------|---|----------|-------|--|--|--|--|--|--|--|--|--|--|--|--|--|--|--|--|--|--|--|--|--|--|--|--|--|--|--|--|-----------|
| ID                      |   |          |       |  |  |  |  |  |  |  |  |  |  |  |  |  |  |  |  |  |  |  |  |  |  |  |  |  |  |  |  | A A A A A |
| <b>Reset 0x00000000</b> | <b>0 0</b>              |          |       |  |  |  |  |  |  |  |  |  |  |  |  |  |  |  |  |  |  |  |  |  |  |  |  |  |  |  |  |           |
| ID                      | Acce Field  | Value ID | Value | Description  |  |  |  |  |  |  |  |  |  |  |  |  |  |  |  |  |  |  |  |  |  |  |  |  |  |  |  |           |
| A                       | RW STATE  |          |       | State D+ and D- lines will be forced into by the DPMDRIVE task   |  |  |  |  |  |  |  |  |  |  |  |  |  |  |  |  |  |  |  |  |  |  |  |  |  |  |  |           |
|                         |   | Resume   | 1     | D+ forced low, D- forced high (K state) for a timing preset in hardware (50 $\mu$ s or 5 ms, depending on bus state) |  |  |  |  |  |  |  |  |  |  |  |  |  |  |  |  |  |  |  |  |  |  |  |  |  |  |  |           |
|                         |   | J        | 2     | D+ forced high, D- forced low (J state)  |  |  |  |  |  |  |  |  |  |  |  |  |  |  |  |  |  |  |  |  |  |  |  |  |  |  |  |           |
|                         |   | K        | 4     | D+ forced low, D- forced high (K state)  |  |  |  |  |  |  |  |  |  |  |  |  |  |  |  |  |  |  |  |  |  |  |  |  |  |  |  |           |

### 6.35.13.44 DTOGGLE

Address offset: 0x50C

Data toggle control and status

First write this register with VALUE=Nop to select the endpoint, then either read it to get the status from VALUE, or write it again with VALUE=Data0 or Data1

| Bit number              |            | 31 30 29 28 27 26 25 24 23 22 21 20 19 18 17 16 15 14 13 12 11 10 9 8 7 6 5 4 3 2 1 0        |       |  |  |  |  |  |  |  |  |  |  |  |  |  |  |  |  |  |  |  |  |  |  |  |  |  |       |  |  |       |  |  |
|-------------------------|------------|--|-------|--|--|--|--|--|--|--|--|--|--|--|--|--|--|--|--|--|--|--|--|--|--|--|--|--|-------|--|--|-------|--|--|
| ID                      |            |  |       |  |  |  |  |  |  |  |  |  |  |  |  |  |  |  |  |  |  |  |  |  |  |  |  |  | C C B |  |  | A A A |  |  |
| <b>Reset 0x00000100</b> |            | <b>0 0</b> |       |  |  |  |  |  |  |  |  |  |  |  |  |  |  |  |  |  |  |  |  |  |  |  |  |  |       |  |  |       |  |  |
| ID                      | Acce Field | Value ID   | Value | Description  |  |  |  |  |  |  |  |  |  |  |  |  |  |  |  |  |  |  |  |  |  |  |  |  |       |  |  |       |  |  |
| A                       | RW EP      |  |       | Select bulk endpoint number  |  |  |  |  |  |  |  |  |  |  |  |  |  |  |  |  |  |  |  |  |  |  |  |  |       |  |  |       |  |  |
| B                       | RW IO      |  |       | Selects IN or OUT endpoint   |  |  |  |  |  |  |  |  |  |  |  |  |  |  |  |  |  |  |  |  |  |  |  |  |       |  |  |       |  |  |
|                         |            | Out  | 0     | Selects OUT endpoint   |  |  |  |  |  |  |  |  |  |  |  |  |  |  |  |  |  |  |  |  |  |  |  |  |       |  |  |       |  |  |
|                         |            | In   | 1     | Selects IN endpoint  |  |  |  |  |  |  |  |  |  |  |  |  |  |  |  |  |  |  |  |  |  |  |  |  |       |  |  |       |  |  |
| C                       | RW VALUE   |  |       | Data toggle value  |  |  |  |  |  |  |  |  |  |  |  |  |  |  |  |  |  |  |  |  |  |  |  |  |       |  |  |       |  |  |
|                         |            | Nop  | 0     | No action on data toggle when writing the register with this value |  |  |  |  |  |  |  |  |  |  |  |  |  |  |  |  |  |  |  |  |  |  |  |  |       |  |  |       |  |  |
|                         |            | Data0  | 1     | Data toggle is DATA0 on endpoint set by EP and IO                  |  |  |  |  |  |  |  |  |  |  |  |  |  |  |  |  |  |  |  |  |  |  |  |  |       |  |  |       |  |  |
|                         |            | Data1  | 2     | Data toggle is DATA1 on endpoint set by EP and IO                  |  |  |  |  |  |  |  |  |  |  |  |  |  |  |  |  |  |  |  |  |  |  |  |  |       |  |  |       |  |  |

### 6.35.13.45 EPINEN

Address offset: 0x510

Endpoint IN enable

| Bit number              |                   | 31 30 29 28 27 26 25 24 23 22 21 20 19 18 17 16 15 14 13 12 11 10 9 8 7 6 5 4 3 2 1 0        |       |  |  |  |  |  |  |  |  |  |  |  |  |  |  |  |  |  |  |  |  |  |  |  |  |  |                   |  |  |  |
|-------------------------|-------------------|--|-------|--|--|--|--|--|--|--|--|--|--|--|--|--|--|--|--|--|--|--|--|--|--|--|--|--|-------------------|--|--|--|
| ID                      |                   |  |       |  |  |  |  |  |  |  |  |  |  |  |  |  |  |  |  |  |  |  |  |  |  |  |  |  | I H G F E D C B A |  |  |  |
| <b>Reset 0x00000001</b> |                   | <b>0 1</b> |       |  |  |  |  |  |  |  |  |  |  |  |  |  |  |  |  |  |  |  |  |  |  |  |  |  |                   |  |  |  |
| ID                      | Acce Field        | Value ID   | Value | Description                                      |  |  |  |  |  |  |  |  |  |  |  |  |  |  |  |  |  |  |  |  |  |  |  |  |                   |  |  |  |
| A-H                     | RW IN[i] (i=0..7) |  |       | Enable IN endpoint i                             |  |  |  |  |  |  |  |  |  |  |  |  |  |  |  |  |  |  |  |  |  |  |  |  |                   |  |  |  |
|                         |                   | Disable  | 0     | Disable endpoint IN i (no response to IN tokens) |  |  |  |  |  |  |  |  |  |  |  |  |  |  |  |  |  |  |  |  |  |  |  |  |                   |  |  |  |
|                         |                   | Enable   | 1     | Enable endpoint IN i (response to IN tokens)     |  |  |  |  |  |  |  |  |  |  |  |  |  |  |  |  |  |  |  |  |  |  |  |  |                   |  |  |  |
| I                       | RW ISOIN          |  |       | Enable ISO IN endpoint                           |  |  |  |  |  |  |  |  |  |  |  |  |  |  |  |  |  |  |  |  |  |  |  |  |                   |  |  |  |
|                         |                   | Disable  | 0     | Disable ISO IN endpoint 8                        |  |  |  |  |  |  |  |  |  |  |  |  |  |  |  |  |  |  |  |  |  |  |  |  |                   |  |  |  |
|                         |                   | Enable   | 1     | Enable ISO IN endpoint 8                         |  |  |  |  |  |  |  |  |  |  |  |  |  |  |  |  |  |  |  |  |  |  |  |  |                   |  |  |  |

### 6.35.13.46 EPOUTEN

Address offset: 0x514

Endpoint OUT enable

| Bit number              |                    | 31 30 29 28 27 26 25 24 23 22 21 20 19 18 17 16 15 14 13 12 11 10 9 8 7 6 5 4 3 2 1 0        |       |  |  |  |  |  |  |  |  |  |  |  |  |  |  |  |  |  |  |  |  |  |  |  |  |  |                   |  |  |  |
|-------------------------|--------------------|--|-------|--|--|--|--|--|--|--|--|--|--|--|--|--|--|--|--|--|--|--|--|--|--|--|--|--|-------------------|--|--|--|
| ID                      |                    |  |       |  |  |  |  |  |  |  |  |  |  |  |  |  |  |  |  |  |  |  |  |  |  |  |  |  | I H G F E D C B A |  |  |  |
| <b>Reset 0x00000001</b> |                    | <b>0 1</b> |       |  |  |  |  |  |  |  |  |  |  |  |  |  |  |  |  |  |  |  |  |  |  |  |  |  |                   |  |  |  |
| ID                      | Acce Field         | Value ID   | Value | Description  |  |  |  |  |  |  |  |  |  |  |  |  |  |  |  |  |  |  |  |  |  |  |  |  |                   |  |  |  |
| A-H                     | RW OUT[i] (i=0..7) |  |       | Enable OUT endpoint i                              |  |  |  |  |  |  |  |  |  |  |  |  |  |  |  |  |  |  |  |  |  |  |  |  |                   |  |  |  |
|                         |                    | Disable  | 0     | Disable endpoint OUT i (no response to OUT tokens) |  |  |  |  |  |  |  |  |  |  |  |  |  |  |  |  |  |  |  |  |  |  |  |  |                   |  |  |  |
|                         |                    | Enable   | 1     | Enable endpoint OUT i (response to OUT tokens)     |  |  |  |  |  |  |  |  |  |  |  |  |  |  |  |  |  |  |  |  |  |  |  |  |                   |  |  |  |
| I                       | RW ISOOUT          |  |       | Enable ISO OUT endpoint 8                          |  |  |  |  |  |  |  |  |  |  |  |  |  |  |  |  |  |  |  |  |  |  |  |  |                   |  |  |  |
|                         |                    | Disable  | 0     | Disable ISO OUT endpoint 8                         |  |  |  |  |  |  |  |  |  |  |  |  |  |  |  |  |  |  |  |  |  |  |  |  |                   |  |  |  |
|                         |                    | Enable   | 1     | Enable ISO OUT endpoint 8                          |  |  |  |  |  |  |  |  |  |  |  |  |  |  |  |  |  |  |  |  |  |  |  |  |                   |  |  |  |

### 6.35.13.47 EPSTALL

Address offset: 0x518

STALL endpoints

| Bit number              |            | 31 30 29 28 27 26 25 24 23 22 21 20 19 18 17 16 15 14 13 12 11 10 9 8 7 6 5 4 3 2 1 0 |       |                               |  |  |  |  |  |  |  |  |  |  |  |  |  |  |  |  |  |  |  |  |  |  |  |  |   |   |  |  |  |   |   |   |
|-------------------------|------------|---|-------|-------------------------------|--|--|--|--|--|--|--|--|--|--|--|--|--|--|--|--|--|--|--|--|--|--|--|--|---|---|--|--|--|---|---|---|
| ID                      |            |   |       |                               |  |  |  |  |  |  |  |  |  |  |  |  |  |  |  |  |  |  |  |  |  |  |  |  | C | B |  |  |  | A | A | A |
| <b>Reset 0x00000000</b> |            | <b>0 0</b>      |       |                               |  |  |  |  |  |  |  |  |  |  |  |  |  |  |  |  |  |  |  |  |  |  |  |  |   |   |  |  |  |   |   |   |
| ID                      | Acce Field | Value ID  | Value | Description                   |  |  |  |  |  |  |  |  |  |  |  |  |  |  |  |  |  |  |  |  |  |  |  |  |   |   |  |  |  |   |   |   |
| A                       | W EP       |   |       | Select endpoint number        |  |  |  |  |  |  |  |  |  |  |  |  |  |  |  |  |  |  |  |  |  |  |  |  |   |   |  |  |  |   |   |   |
| B                       | W IO       |   |       | Selects IN or OUT endpoint    |  |  |  |  |  |  |  |  |  |  |  |  |  |  |  |  |  |  |  |  |  |  |  |  |   |   |  |  |  |   |   |   |
|                         |            | Out   | 0     | Selects OUT endpoint          |  |  |  |  |  |  |  |  |  |  |  |  |  |  |  |  |  |  |  |  |  |  |  |  |   |   |  |  |  |   |   |   |
|                         |            | In  | 1     | Selects IN endpoint           |  |  |  |  |  |  |  |  |  |  |  |  |  |  |  |  |  |  |  |  |  |  |  |  |   |   |  |  |  |   |   |   |
| C                       | W STALL    |   |       | Stall selected endpoint       |  |  |  |  |  |  |  |  |  |  |  |  |  |  |  |  |  |  |  |  |  |  |  |  |   |   |  |  |  |   |   |   |
|                         |            | UnStall   | 0     | Don't stall selected endpoint |  |  |  |  |  |  |  |  |  |  |  |  |  |  |  |  |  |  |  |  |  |  |  |  |   |   |  |  |  |   |   |   |
|                         |            | Stall   | 1     | Stall selected endpoint       |  |  |  |  |  |  |  |  |  |  |  |  |  |  |  |  |  |  |  |  |  |  |  |  |   |   |  |  |  |   |   |   |

### 6.35.13.48 ISOSPLIT

Address offset: 0x51C

Controls the split of ISO buffers

| Bit number              |            | 31 30 29 28 27 26 25 24 23 22 21 20 19 18 17 16 15 14 13 12 11 10 9 8 7 6 5 4 3 2 1 0 |        |   |  |  |  |  |  |  |  |  |  |  |  |  |  |  |  |  |  |  |  |  |  |  |  |  |   |   |   |   |   |   |   |   |   |   |   |   |   |   |   |   |   |   |   |   |   |   |   |   |   |   |   |
|-------------------------|------------|---|--------|---|--|--|--|--|--|--|--|--|--|--|--|--|--|--|--|--|--|--|--|--|--|--|--|--|---|---|---|---|---|---|---|---|---|---|---|---|---|---|---|---|---|---|---|---|---|---|---|---|---|---|---|
| ID                      |            |   |        |   |  |  |  |  |  |  |  |  |  |  |  |  |  |  |  |  |  |  |  |  |  |  |  |  | A | A | A | A | A | A | A | A | A | A | A | A | A | A | A | A | A | A | A | A | A | A | A | A | A | A | A |
| <b>Reset 0x00000000</b> |            | <b>0 0</b>      |        |   |  |  |  |  |  |  |  |  |  |  |  |  |  |  |  |  |  |  |  |  |  |  |  |  |   |   |   |   |   |   |   |   |   |   |   |   |   |   |   |   |   |   |   |   |   |   |   |   |   |   |   |
| ID                      | Acce Field | Value ID  | Value  | Description                                   |  |  |  |  |  |  |  |  |  |  |  |  |  |  |  |  |  |  |  |  |  |  |  |  |   |   |   |   |   |   |   |   |   |   |   |   |   |   |   |   |   |   |   |   |   |   |   |   |   |   |   |
| A                       | RW SPLIT   |   |        | Controls the split of ISO buffers             |  |  |  |  |  |  |  |  |  |  |  |  |  |  |  |  |  |  |  |  |  |  |  |  |   |   |   |   |   |   |   |   |   |   |   |   |   |   |   |   |   |   |   |   |   |   |   |   |   |   |   |
|                         |            | OneDir  | 0x0000 | Full buffer dedicated to either ISO IN or OUT |  |  |  |  |  |  |  |  |  |  |  |  |  |  |  |  |  |  |  |  |  |  |  |  |   |   |   |   |   |   |   |   |   |   |   |   |   |   |   |   |   |   |   |   |   |   |   |   |   |   |   |
|                         |            | HalfIN  | 0x0080 | Lower half for IN, upper half for OUT         |  |  |  |  |  |  |  |  |  |  |  |  |  |  |  |  |  |  |  |  |  |  |  |  |   |   |   |   |   |   |   |   |   |   |   |   |   |   |   |   |   |   |   |   |   |   |   |   |   |   |   |

### 6.35.13.49 FRAMECNTR

Address offset: 0x520

Returns the current value of the start of frame counter

| Bit number              |            | 31 30 29 28 27 26 25 24 23 22 21 20 19 18 17 16 15 14 13 12 11 10 9 8 7 6 5 4 3 2 1 0 |       |   |  |  |  |  |  |  |  |  |  |  |  |  |  |  |  |  |  |  |  |  |  |  |  |  |   |   |   |   |   |   |   |   |   |   |   |   |   |   |   |   |   |   |   |   |   |   |   |   |   |   |   |
|-------------------------|------------|---|-------|---|--|--|--|--|--|--|--|--|--|--|--|--|--|--|--|--|--|--|--|--|--|--|--|--|---|---|---|---|---|---|---|---|---|---|---|---|---|---|---|---|---|---|---|---|---|---|---|---|---|---|---|
| ID                      |            |   |       |   |  |  |  |  |  |  |  |  |  |  |  |  |  |  |  |  |  |  |  |  |  |  |  |  | A | A | A | A | A | A | A | A | A | A | A | A | A | A | A | A | A | A | A | A | A | A | A | A | A | A | A |
| <b>Reset 0x00000000</b> |            | <b>0 0</b>      |       |   |  |  |  |  |  |  |  |  |  |  |  |  |  |  |  |  |  |  |  |  |  |  |  |  |   |   |   |   |   |   |   |   |   |   |   |   |   |   |   |   |   |   |   |   |   |   |   |   |   |   |   |
| ID                      | Acce Field | Value ID  | Value | Description   |  |  |  |  |  |  |  |  |  |  |  |  |  |  |  |  |  |  |  |  |  |  |  |  |   |   |   |   |   |   |   |   |   |   |   |   |   |   |   |   |   |   |   |   |   |   |   |   |   |   |   |
| A                       | R          | FRAMECNTR   |       | Returns the current value of the start of frame counter |  |  |  |  |  |  |  |  |  |  |  |  |  |  |  |  |  |  |  |  |  |  |  |  |   |   |   |   |   |   |   |   |   |   |   |   |   |   |   |   |   |   |   |   |   |   |   |   |   |   |   |

### 6.35.13.50 LOWPOWER

Address offset: 0x52C

Controls USB peripheral low power mode during USB suspend

| Bit number              | 31 30 29 28 27 26 25 24 23 22 21 20 19 18 17 16 15 14 13 12 11 10 9 8 7 6 5 4 3 2 1 0 |             |       |   |  |  |  |  |  |  |  |  |  |  |  |  |  |  |  |  |  |  |  |  |  |  |  |  |  |  |  |
|-------------------------|---|-------------|-------|---|--|--|--|--|--|--|--|--|--|--|--|--|--|--|--|--|--|--|--|--|--|--|--|--|--|--|--|
| ID                      | A   |             |       |   |  |  |  |  |  |  |  |  |  |  |  |  |  |  |  |  |  |  |  |  |  |  |  |  |  |  |  |
| <b>Reset 0x00000000</b> | <b>0 0</b>      |             |       |   |  |  |  |  |  |  |  |  |  |  |  |  |  |  |  |  |  |  |  |  |  |  |  |  |  |  |  |
| ID                      | Acce Field  | Value ID    | Value | Description   |  |  |  |  |  |  |  |  |  |  |  |  |  |  |  |  |  |  |  |  |  |  |  |  |  |  |  |
| A                       | RW  | LOWPOWER    |       | Controls USB peripheral low-power mode during USB suspend   |  |  |  |  |  |  |  |  |  |  |  |  |  |  |  |  |  |  |  |  |  |  |  |  |  |  |  |
|                         |   | ForceNormal | 0     | Software must write this value to exit low power mode and before performing a remote wake-up                                    |  |  |  |  |  |  |  |  |  |  |  |  |  |  |  |  |  |  |  |  |  |  |  |  |  |  |  |
|                         |   | LowPower    | 1     | Software must write this value to enter low power mode after DMA and software have finished interacting with the USB peripheral |  |  |  |  |  |  |  |  |  |  |  |  |  |  |  |  |  |  |  |  |  |  |  |  |  |  |  |

### 6.35.13.51 ISOINCONFIG

Address offset: 0x530

Controls the response of the ISO IN endpoint to an IN token when no data is ready to be sent

| Bit number              | 31 30 29 28 27 26 25 24 23 22 21 20 19 18 17 16 15 14 13 12 11 10 9 8 7 6 5 4 3 2 1 0 |          |       |  |  |  |  |  |  |  |  |  |  |  |  |  |  |  |  |  |  |  |  |  |  |  |  |  |  |  |  |
|-------------------------|---|----------|-------|--|--|--|--|--|--|--|--|--|--|--|--|--|--|--|--|--|--|--|--|--|--|--|--|--|--|--|--|
| ID                      | A   |          |       |  |  |  |  |  |  |  |  |  |  |  |  |  |  |  |  |  |  |  |  |  |  |  |  |  |  |  |  |
| <b>Reset 0x00000000</b> | <b>0 0</b>      |          |       |  |  |  |  |  |  |  |  |  |  |  |  |  |  |  |  |  |  |  |  |  |  |  |  |  |  |  |  |
| ID                      | Acce Field  | Value ID | Value | Description  |  |  |  |  |  |  |  |  |  |  |  |  |  |  |  |  |  |  |  |  |  |  |  |  |  |  |  |
| A                       | RW  | RESPONSE |       | Controls the response of the ISO IN endpoint to an IN token when no data is ready to be sent |  |  |  |  |  |  |  |  |  |  |  |  |  |  |  |  |  |  |  |  |  |  |  |  |  |  |  |
|                         |   | NoResp   | 0     | Endpoint does not respond in that case   |  |  |  |  |  |  |  |  |  |  |  |  |  |  |  |  |  |  |  |  |  |  |  |  |  |  |  |
|                         |   | ZeroData | 1     | Endpoint responds with a zero-length data packet in that case                                |  |  |  |  |  |  |  |  |  |  |  |  |  |  |  |  |  |  |  |  |  |  |  |  |  |  |  |

### 6.35.13.52 EPIN[n].PTR (n=0..7)

Address offset: 0x600 + (n × 0x14)

Data pointer

| Bit number              | 31 30 29 28 27 26 25 24 23 22 21 20 19 18 17 16 15 14 13 12 11 10 9 8 7 6 5 4 3 2 1 0 |          |       |  |  |  |  |  |  |  |  |  |  |  |  |  |  |  |  |  |  |  |  |  |  |  |  |  |  |  |  |
|-------------------------|---|----------|-------|--|--|--|--|--|--|--|--|--|--|--|--|--|--|--|--|--|--|--|--|--|--|--|--|--|--|--|--|
| ID                      | A                   |          |       |  |  |  |  |  |  |  |  |  |  |  |  |  |  |  |  |  |  |  |  |  |  |  |  |  |  |  |  |
| <b>Reset 0x00000000</b> | <b>0 0</b>      |          |       |  |  |  |  |  |  |  |  |  |  |  |  |  |  |  |  |  |  |  |  |  |  |  |  |  |  |  |  |
| ID                      | Acce Field  | Value ID | Value | Description  |  |  |  |  |  |  |  |  |  |  |  |  |  |  |  |  |  |  |  |  |  |  |  |  |  |  |  |
| A                       | RW  | PTR      |       | Data pointer   |  |  |  |  |  |  |  |  |  |  |  |  |  |  |  |  |  |  |  |  |  |  |  |  |  |  |  |
|                         |   |          |       | See the memory chapter for details about which memories are available for EasyDMA. |  |  |  |  |  |  |  |  |  |  |  |  |  |  |  |  |  |  |  |  |  |  |  |  |  |  |  |

### 6.35.13.53 EPIN[n].MAXCNT (n=0..7)

Address offset: 0x604 + (n × 0x14)

Maximum number of bytes to transfer

| Bit number              | 31 30 29 28 27 26 25 24 23 22 21 20 19 18 17 16 15 14 13 12 11 10 9 8 7 6 5 4 3 2 1 0 |          |         |                                     |  |  |  |  |  |  |  |  |  |  |  |  |  |  |  |  |  |  |  |  |  |  |  |  |  |  |  |
|-------------------------|---|----------|---------|-------------------------------------|--|--|--|--|--|--|--|--|--|--|--|--|--|--|--|--|--|--|--|--|--|--|--|--|--|--|--|
| ID                      | A A A A A A A A   |          |         |                                     |  |  |  |  |  |  |  |  |  |  |  |  |  |  |  |  |  |  |  |  |  |  |  |  |  |  |  |
| <b>Reset 0x00000000</b> | <b>0 0</b>      |          |         |                                     |  |  |  |  |  |  |  |  |  |  |  |  |  |  |  |  |  |  |  |  |  |  |  |  |  |  |  |
| ID                      | Acce Field  | Value ID | Value   | Description                         |  |  |  |  |  |  |  |  |  |  |  |  |  |  |  |  |  |  |  |  |  |  |  |  |  |  |  |
| A                       | RW  | MAXCNT   | [64..0] | Maximum number of bytes to transfer |  |  |  |  |  |  |  |  |  |  |  |  |  |  |  |  |  |  |  |  |  |  |  |  |  |  |  |

### 6.35.13.54 EPIN[n].AMOUNT (n=0..7)

Address offset:  $0x608 + (n \times 0x14)$

Number of bytes transferred in the last transaction

| Bit number       | 31 30 29 28 27 26 25 24 23 22 21 20 19 18 17 16 15 14 13 12 11 10 9 8 7 6 5 4 3 2 1 0 |          |       |   |  |  |  |  |  |  |  |  |  |  |  |  |  |  |  |  |  |  |  |  |  |  |  |             |  |  |  |  |
|------------------|---|----------|-------|---|--|--|--|--|--|--|--|--|--|--|--|--|--|--|--|--|--|--|--|--|--|--|--|-------------|--|--|--|--|
| ID               |   |          |       |   |  |  |  |  |  |  |  |  |  |  |  |  |  |  |  |  |  |  |  |  |  |  |  | A A A A A A |  |  |  |  |
| Reset 0x00000000 | 0                       |          |       |   |  |  |  |  |  |  |  |  |  |  |  |  |  |  |  |  |  |  |  |  |  |  |  |             |  |  |  |  |
| ID               | Acce Field  | Value ID | Value | Description   |  |  |  |  |  |  |  |  |  |  |  |  |  |  |  |  |  |  |  |  |  |  |  |             |  |  |  |  |
| A                | R   | AMOUNT   |       | Number of bytes transferred in the last transaction |  |  |  |  |  |  |  |  |  |  |  |  |  |  |  |  |  |  |  |  |  |  |  |             |  |  |  |  |

### 6.35.13.55 ISOIN.PTR

Address offset: 0x6A0

Data pointer

| Bit number       | 31 30 29 28 27 26 25 24 23 22 21 20 19 18 17 16 15 14 13 12 11 10 9 8 7 6 5 4 3 2 1 0 |          |       |              |  |  |  |  |  |  |  |  |  |  |  |  |  |  |  |  |  |  |  |  |  |  |  |  |  |  |  |
|------------------|---|----------|-------|--------------|--|--|--|--|--|--|--|--|--|--|--|--|--|--|--|--|--|--|--|--|--|--|--|--|--|--|--|
| ID               | A                   |          |       |              |  |  |  |  |  |  |  |  |  |  |  |  |  |  |  |  |  |  |  |  |  |  |  |  |  |  |  |
| Reset 0x00000000 | 0                       |          |       |              |  |  |  |  |  |  |  |  |  |  |  |  |  |  |  |  |  |  |  |  |  |  |  |  |  |  |  |
| ID               | Acce Field  | Value ID | Value | Description  |  |  |  |  |  |  |  |  |  |  |  |  |  |  |  |  |  |  |  |  |  |  |  |  |  |  |  |
| A                | RW  | PTR      |       | Data pointer |  |  |  |  |  |  |  |  |  |  |  |  |  |  |  |  |  |  |  |  |  |  |  |  |  |  |  |

See the memory chapter for details about which memories are available for EasyDMA.

### 6.35.13.56 ISOIN.MAXCNT

Address offset: 0x6A4

Maximum number of bytes to transfer

| Bit number       | 31 30 29 28 27 26 25 24 23 22 21 20 19 18 17 16 15 14 13 12 11 10 9 8 7 6 5 4 3 2 1 0 |          |           |                                     |  |  |  |  |  |  |  |  |  |  |  |  |  |  |  |  |  |  |  |  |  |  |  |                 |  |  |  |  |
|------------------|---|----------|-----------|-------------------------------------|--|--|--|--|--|--|--|--|--|--|--|--|--|--|--|--|--|--|--|--|--|--|--|-----------------|--|--|--|--|
| ID               |   |          |           |                                     |  |  |  |  |  |  |  |  |  |  |  |  |  |  |  |  |  |  |  |  |  |  |  | A A A A A A A A |  |  |  |  |
| Reset 0x00000000 | 0                       |          |           |                                     |  |  |  |  |  |  |  |  |  |  |  |  |  |  |  |  |  |  |  |  |  |  |  |                 |  |  |  |  |
| ID               | Acce Field  | Value ID | Value     | Description                         |  |  |  |  |  |  |  |  |  |  |  |  |  |  |  |  |  |  |  |  |  |  |  |                 |  |  |  |  |
| A                | RW  | MAXCNT   | [1023..1] | Maximum number of bytes to transfer |  |  |  |  |  |  |  |  |  |  |  |  |  |  |  |  |  |  |  |  |  |  |  |                 |  |  |  |  |

### 6.35.13.57 ISOIN.AMOUNT

Address offset: 0x6A8

Number of bytes transferred in the last transaction

| Bit number       | 31 30 29 28 27 26 25 24 23 22 21 20 19 18 17 16 15 14 13 12 11 10 9 8 7 6 5 4 3 2 1 0 |          |       |   |  |  |  |  |  |  |  |  |  |  |  |  |  |  |  |  |  |  |  |  |  |  |  |                 |  |  |  |  |
|------------------|---|----------|-------|---|--|--|--|--|--|--|--|--|--|--|--|--|--|--|--|--|--|--|--|--|--|--|--|-----------------|--|--|--|--|
| ID               |   |          |       |   |  |  |  |  |  |  |  |  |  |  |  |  |  |  |  |  |  |  |  |  |  |  |  | A A A A A A A A |  |  |  |  |
| Reset 0x00000000 | 0                       |          |       |   |  |  |  |  |  |  |  |  |  |  |  |  |  |  |  |  |  |  |  |  |  |  |  |                 |  |  |  |  |
| ID               | Acce Field  | Value ID | Value | Description   |  |  |  |  |  |  |  |  |  |  |  |  |  |  |  |  |  |  |  |  |  |  |  |                 |  |  |  |  |
| A                | R   | AMOUNT   |       | Number of bytes transferred in the last transaction |  |  |  |  |  |  |  |  |  |  |  |  |  |  |  |  |  |  |  |  |  |  |  |                 |  |  |  |  |

### 6.35.13.58 EPOUT[n].PTR (n=0..7)

Address offset:  $0x700 + (n \times 0x14)$

Data pointer

|            |            |    |    |    |    |    |    |    |    |    |    |    |    |    |    |    |    |    |    |    |    |    |   |   |   |   |   |   |   |   |   |   |   |
|------------|------------|----|----|----|----|----|----|----|----|----|----|----|----|----|----|----|----|----|----|----|----|----|---|---|---|---|---|---|---|---|---|---|---|
| Bit number | 31         | 30 | 29 | 28 | 27 | 26 | 25 | 24 | 23 | 22 | 21 | 20 | 19 | 18 | 17 | 16 | 15 | 14 | 13 | 12 | 11 | 10 | 9 | 8 | 7 | 6 | 5 | 4 | 3 | 2 | 1 | 0 |   |
| ID         | A          | A  | A  | A  | A  | A  | A  | A  | A  | A  | A  | A  | A  | A  | A  | A  | A  | A  | A  | A  | A  | A  | A | A | A | A | A | A | A | A | A | A |   |
| Reset      | 0x00000000 |    |    |    |    |    |    |    |    |    |    |    |    |    |    |    |    |    |    |    |    |    |   |   |   |   |   |   |   |   |   |   |   |
| Reset      | 0          | 0  | 0  | 0  | 0  | 0  | 0  | 0  | 0  | 0  | 0  | 0  | 0  | 0  | 0  | 0  | 0  | 0  | 0  | 0  | 0  | 0  | 0 | 0 | 0 | 0 | 0 | 0 | 0 | 0 | 0 | 0 | 0 |

| ID | Acce Field | Value ID | Value | Description  |
|----|------------|----------|-------|--------------|
| A  | RW         | PTR      |       | Data pointer |

See the memory chapter for details about which memories are available for EasyDMA.

### 6.35.13.59 EPOUT[n].MAXCNT (n=0..7)

Address offset: 0x704 + (n × 0x14)

Maximum number of bytes to transfer

|            |            |    |    |    |    |    |    |    |    |    |    |    |    |    |    |    |    |    |    |    |    |    |   |   |   |   |   |   |   |   |   |   |   |   |   |   |   |   |   |
|------------|------------|----|----|----|----|----|----|----|----|----|----|----|----|----|----|----|----|----|----|----|----|----|---|---|---|---|---|---|---|---|---|---|---|---|---|---|---|---|---|
| Bit number | 31         | 30 | 29 | 28 | 27 | 26 | 25 | 24 | 23 | 22 | 21 | 20 | 19 | 18 | 17 | 16 | 15 | 14 | 13 | 12 | 11 | 10 | 9 | 8 | 7 | 6 | 5 | 4 | 3 | 2 | 1 | 0 |   |   |   |   |   |   |   |
| ID         |            |    |    |    |    |    |    |    |    |    |    |    |    |    |    |    |    |    |    |    |    |    |   |   |   |   |   |   |   |   |   |   | A | A | A | A | A | A | A |
| Reset      | 0x00000000 |    |    |    |    |    |    |    |    |    |    |    |    |    |    |    |    |    |    |    |    |    |   |   |   |   |   |   |   |   |   |   |   |   |   |   |   |   |   |
| Reset      | 0          | 0  | 0  | 0  | 0  | 0  | 0  | 0  | 0  | 0  | 0  | 0  | 0  | 0  | 0  | 0  | 0  | 0  | 0  | 0  | 0  | 0  | 0 | 0 | 0 | 0 | 0 | 0 | 0 | 0 | 0 | 0 | 0 | 0 | 0 | 0 | 0 | 0 | 0 |

| ID | Acce Field | Value ID | Value   | Description                         |
|----|------------|----------|---------|-------------------------------------|
| A  | RW         | MAXCNT   | [64..0] | Maximum number of bytes to transfer |

### 6.35.13.60 EPOUT[n].AMOUNT (n=0..7)

Address offset: 0x708 + (n × 0x14)

Number of bytes transferred in the last transaction

|            |            |    |    |    |    |    |    |    |    |    |    |    |    |    |    |    |    |    |    |    |    |    |   |   |   |   |   |   |   |   |   |   |   |   |   |   |   |   |   |   |   |   |   |
|------------|------------|----|----|----|----|----|----|----|----|----|----|----|----|----|----|----|----|----|----|----|----|----|---|---|---|---|---|---|---|---|---|---|---|---|---|---|---|---|---|---|---|---|---|
| Bit number | 31         | 30 | 29 | 28 | 27 | 26 | 25 | 24 | 23 | 22 | 21 | 20 | 19 | 18 | 17 | 16 | 15 | 14 | 13 | 12 | 11 | 10 | 9 | 8 | 7 | 6 | 5 | 4 | 3 | 2 | 1 | 0 |   |   |   |   |   |   |   |   |   |   |   |
| ID         |            |    |    |    |    |    |    |    |    |    |    |    |    |    |    |    |    |    |    |    |    |    |   |   |   |   |   |   |   |   |   |   |   |   |   |   | A | A | A | A | A | A | A |
| Reset      | 0x00000000 |    |    |    |    |    |    |    |    |    |    |    |    |    |    |    |    |    |    |    |    |    |   |   |   |   |   |   |   |   |   |   |   |   |   |   |   |   |   |   |   |   |   |
| Reset      | 0          | 0  | 0  | 0  | 0  | 0  | 0  | 0  | 0  | 0  | 0  | 0  | 0  | 0  | 0  | 0  | 0  | 0  | 0  | 0  | 0  | 0  | 0 | 0 | 0 | 0 | 0 | 0 | 0 | 0 | 0 | 0 | 0 | 0 | 0 | 0 | 0 | 0 | 0 | 0 | 0 | 0 | 0 |

| ID | Acce Field | Value ID | Value | Description   |
|----|------------|----------|-------|---|
| A  | R          | AMOUNT   |       | Number of bytes transferred in the last transaction |

### 6.35.13.61 ISOOUT.PTR

Address offset: 0x7A0

Data pointer

|            |            |    |    |    |    |    |    |    |    |    |    |    |    |    |    |    |    |    |    |    |    |    |   |   |   |   |   |   |   |   |   |   |   |   |   |   |   |   |   |   |   |   |   |   |
|------------|------------|----|----|----|----|----|----|----|----|----|----|----|----|----|----|----|----|----|----|----|----|----|---|---|---|---|---|---|---|---|---|---|---|---|---|---|---|---|---|---|---|---|---|---|
| Bit number | 31         | 30 | 29 | 28 | 27 | 26 | 25 | 24 | 23 | 22 | 21 | 20 | 19 | 18 | 17 | 16 | 15 | 14 | 13 | 12 | 11 | 10 | 9 | 8 | 7 | 6 | 5 | 4 | 3 | 2 | 1 | 0 |   |   |   |   |   |   |   |   |   |   |   |   |
| ID         | A          | A  | A  | A  | A  | A  | A  | A  | A  | A  | A  | A  | A  | A  | A  | A  | A  | A  | A  | A  | A  | A  | A | A | A | A | A | A | A | A | A | A | A | A | A | A | A | A | A | A | A | A | A |   |
| Reset      | 0x00000000 |    |    |    |    |    |    |    |    |    |    |    |    |    |    |    |    |    |    |    |    |    |   |   |   |   |   |   |   |   |   |   |   |   |   |   |   |   |   |   |   |   |   |   |
| Reset      | 0          | 0  | 0  | 0  | 0  | 0  | 0  | 0  | 0  | 0  | 0  | 0  | 0  | 0  | 0  | 0  | 0  | 0  | 0  | 0  | 0  | 0  | 0 | 0 | 0 | 0 | 0 | 0 | 0 | 0 | 0 | 0 | 0 | 0 | 0 | 0 | 0 | 0 | 0 | 0 | 0 | 0 | 0 | 0 |

| ID | Acce Field | Value ID | Value | Description  |
|----|------------|----------|-------|--------------|
| A  | RW         | PTR      |       | Data pointer |

See the memory chapter for details about which memories are available for EasyDMA.

### 6.35.13.62 ISOOUT.MAXCNT

Address offset: 0x7A4

Maximum number of bytes to transfer

|                  |      |        |          |       |                                     |    |    |    |    |    |    |    |    |    |    |    |    |    |    |    |    |    |   |   |   |   |   |   |   |   |   |   |   |   |   |   |   |   |   |   |   |   |   |   |   |   |   |   |   |   |   |   |   |   |   |
|------------------|------|--------|----------|-------|-------------------------------------|----|----|----|----|----|----|----|----|----|----|----|----|----|----|----|----|----|---|---|---|---|---|---|---|---|---|---|---|---|---|---|---|---|---|---|---|---|---|---|---|---|---|---|---|---|---|---|---|---|---|
| Bit number       | 31   | 30     | 29       | 28    | 27                                  | 26 | 25 | 24 | 23 | 22 | 21 | 20 | 19 | 18 | 17 | 16 | 15 | 14 | 13 | 12 | 11 | 10 | 9 | 8 | 7 | 6 | 5 | 4 | 3 | 2 | 1 | 0 |   |   |   |   |   |   |   |   |   |   |   |   |   |   |   |   |   |   |   |   |   |   |   |
| ID               |      |        |          |       |                                     |    |    |    |    |    |    |    |    |    |    |    |    |    |    |    |    |    |   | A | A | A | A | A | A | A | A | A | A | A | A | A | A | A | A | A | A | A | A | A | A | A | A | A | A | A | A | A | A | A | A |
| Reset 0x00000000 | 0    |        |          |       |                                     |    |    |    |    |    |    |    |    |    |    |    |    |    |    |    |    |    |   | 0 | 0 | 0 | 0 | 0 | 0 | 0 | 0 | 0 | 0 | 0 | 0 | 0 | 0 | 0 | 0 | 0 | 0 | 0 | 0 | 0 | 0 | 0 | 0 | 0 | 0 | 0 | 0 | 0 | 0 | 0 | 0 |
| ID               | Acce | Field  | Value ID | Value | Description                         |    |    |    |    |    |    |    |    |    |    |    |    |    |    |    |    |    |   |   |   |   |   |   |   |   |   |   |   |   |   |   |   |   |   |   |   |   |   |   |   |   |   |   |   |   |   |   |   |   |   |
| A                | RW   | MAXCNT |          |       | Maximum number of bytes to transfer |    |    |    |    |    |    |    |    |    |    |    |    |    |    |    |    |    |   |   |   |   |   |   |   |   |   |   |   |   |   |   |   |   |   |   |   |   |   |   |   |   |   |   |   |   |   |   |   |   |   |

### 6.35.13.63 ISOOUT.AMOUNT

Address offset: 0x7A8

Number of bytes transferred in the last transaction

|                  |      |        |          |       |   |    |    |    |    |    |    |    |    |    |    |    |    |    |    |    |    |    |   |   |   |   |   |   |   |   |   |   |   |   |   |   |   |   |   |   |   |   |   |   |   |   |   |   |   |   |   |   |   |   |
|------------------|------|--------|----------|-------|---|----|----|----|----|----|----|----|----|----|----|----|----|----|----|----|----|----|---|---|---|---|---|---|---|---|---|---|---|---|---|---|---|---|---|---|---|---|---|---|---|---|---|---|---|---|---|---|---|---|
| Bit number       | 31   | 30     | 29       | 28    | 27  | 26 | 25 | 24 | 23 | 22 | 21 | 20 | 19 | 18 | 17 | 16 | 15 | 14 | 13 | 12 | 11 | 10 | 9 | 8 | 7 | 6 | 5 | 4 | 3 | 2 | 1 | 0 |   |   |   |   |   |   |   |   |   |   |   |   |   |   |   |   |   |   |   |   |   |   |
| ID               |      |        |          |       |   |    |    |    |    |    |    |    |    |    |    |    |    |    |    |    |    |    |   | A | A | A | A | A | A | A | A | A | A | A | A | A | A | A | A | A | A | A | A | A | A | A | A | A | A | A | A | A | A |   |
| Reset 0x00000000 | 0    |        |          |       |   |    |    |    |    |    |    |    |    |    |    |    |    |    |    |    |    |    |   | 0 | 0 | 0 | 0 | 0 | 0 | 0 | 0 | 0 | 0 | 0 | 0 | 0 | 0 | 0 | 0 | 0 | 0 | 0 | 0 | 0 | 0 | 0 | 0 | 0 | 0 | 0 | 0 | 0 | 0 | 0 |
| ID               | Acce | Field  | Value ID | Value | Description   |    |    |    |    |    |    |    |    |    |    |    |    |    |    |    |    |    |   |   |   |   |   |   |   |   |   |   |   |   |   |   |   |   |   |   |   |   |   |   |   |   |   |   |   |   |   |   |   |   |
| A                | R    | AMOUNT |          |       | Number of bytes transferred in the last transaction |    |    |    |    |    |    |    |    |    |    |    |    |    |    |    |    |    |   |   |   |   |   |   |   |   |   |   |   |   |   |   |   |   |   |   |   |   |   |   |   |   |   |   |   |   |   |   |   |   |

## 6.35.14 Electrical specification

### 6.35.14.1 USB Electrical Specification

| Symbol                     | Description  | Min. | Typ. | Max.  | Units |
|----------------------------|--|------|------|-------|-------|
| R <sub>USB,PU,ACTIVE</sub> | Value of pull-up on D+, bus active (upstream device transmitting)        | 1425 | 2300 | 3090  | Ω     |
| R <sub>USB,PU,IDLE</sub>   | Value of pull-up on D+, bus idle   | 900  | 1200 | 1575  | Ω     |
| t <sub>USB,DETRST</sub>    | Minimum duration of an SE0 state to be detected as a USB reset condition |      |      |       | μs    |
| f <sub>USB,CLK</sub>       | Frequency of local clock, USB active                                     |      | 48   |       | MHz   |
| f <sub>USB,TOL</sub>       | Accuracy of local clock, USB active <sup>43</sup>                        |      |      | ±1000 | ppm   |
| T <sub>USB,JITTER</sub>    | Jitter on USB local clock, USB active                                    |      |      | ±1    | ns    |

## 6.36 WDT — Watchdog timer

A countdown watchdog timer using the low-frequency clock source (LFCLK) offers configurable and robust protection against application lock-up.

The watchdog timer is started by triggering the START task.

The watchdog can be paused during long CPU sleep periods for low power applications and when the debugger has halted the CPU. The watchdog is implemented as a down-counter that generates a TIMEOUT event when it wraps over after counting down to 0. When the watchdog timer is started through the START task, the watchdog counter is loaded with the value specified in the CRV register. This counter is also reloaded with the value specified in the CRV register when a reload request is granted.

The watchdog's timeout period is given by the following equation:

$$\text{timeout [s]} = ( \text{CRV} + 1 ) / 32768$$

<sup>43</sup> The local clock can be stopped during USB suspend



When started, the watchdog will automatically force the 32.768 kHz RC oscillator on as long as no other 32.768 kHz clock source is running and generating the 32.768 kHz system clock, see chapter [CLOCK — Clock control](#) on page 85.

### 6.36.1 Reload criteria

The watchdog has eight separate reload request registers, which shall be used to request the watchdog to reload its counter with the value specified in the CRV register. To reload the watchdog counter, the special value 0x6E524635 needs to be written to all enabled reload registers.

One or more RR registers can be individually enabled through the RREN register.

### 6.36.2 Temporarily pausing the watchdog

By default, the watchdog will be active counting down the down-counter while the CPU is sleeping and when it is halted by the debugger. It is possible to configure the watchdog to automatically pause while the CPU is sleeping as well as when it is halted by the debugger.

### 6.36.3 Watchdog reset

A TIMEOUT event will automatically lead to a watchdog reset.

See [Reset](#) on page 72 for more information about reset sources. If the watchdog is configured to generate an interrupt on the TIMEOUT event, the watchdog reset will be postponed with two 32.768 kHz clock cycles after the TIMEOUT event has been generated. Once the TIMEOUT event has been generated, the impending watchdog reset will always be effectuated.

The watchdog must be configured before it is started. After it is started, the watchdog's configuration registers, which comprise registers CRV, RREN, and CONFIG, will be blocked for further configuration.

The watchdog can be reset from several reset sources, see [Reset behavior](#) on page 73.

When the device starts running again, after a reset, or waking up from OFF mode, the watchdog configuration registers will be available for configuration again.

### 6.36.4 Registers

| Base address | Peripheral | Instance | Description    | Configuration |
|--------------|------------|----------|----------------|---------------|
| 0x40010000   | WDT        | WDT      | Watchdog timer |               |

Table 143: Instances

| Register       | Offset | Description                                  |
|----------------|--------|--|
| TASKS_START    | 0x000  | Start the watchdog                           |
| EVENTS_TIMEOUT | 0x100  | Watchdog timeout                             |
| INTENSET       | 0x304  | Enable interrupt                             |
| INTENCLR       | 0x308  | Disable interrupt                            |
| RUNSTATUS      | 0x400  | Run status                                   |
| REQSTATUS      | 0x404  | Request status                               |
| CRV            | 0x504  | Counter reload value                         |
| RREN           | 0x508  | Enable register for reload request registers |
| CONFIG         | 0x50C  | Configuration register                       |
| RR[0]          | 0x600  | Reload request 0                             |
| RR[1]          | 0x604  | Reload request 1                             |
| RR[2]          | 0x608  | Reload request 2                             |
| RR[3]          | 0x60C  | Reload request 3                             |
| RR[4]          | 0x610  | Reload request 4                             |

| Register | Offset | Description      |
|----------|--------|------------------|
| RR[5]    | 0x614  | Reload request 5 |
| RR[6]    | 0x618  | Reload request 6 |
| RR[7]    | 0x61C  | Reload request 7 |

Table 144: Register overview

### 6.36.4.1 TASKS\_START

Address offset: 0x000

Start the watchdog

| Bit number       | 31 30 29 28 27 26 25 24 23 22 21 20 19 18 17 16 15 14 13 12 11 10 9 8 7 6 5 4 3 2 1 0 |          |       |                    |  |  |  |  |  |  |  |  |  |  |  |  |  |  |  |  |  |  |  |  |  |  |  |  |  |  |  |   |
|------------------|---|----------|-------|--------------------|--|--|--|--|--|--|--|--|--|--|--|--|--|--|--|--|--|--|--|--|--|--|--|--|--|--|--|---|
| ID               |   |          |       |                    |  |  |  |  |  |  |  |  |  |  |  |  |  |  |  |  |  |  |  |  |  |  |  |  |  |  |  | A |
| Reset 0x00000000 | 0             |          |       |                    |  |  |  |  |  |  |  |  |  |  |  |  |  |  |  |  |  |  |  |  |  |  |  |  |  |  |  |   |
| ID               | Acce Field  | Value ID | Value | Description        |  |  |  |  |  |  |  |  |  |  |  |  |  |  |  |  |  |  |  |  |  |  |  |  |  |  |  |   |
| A                | W TASKS_START   |          |       | Start the watchdog |  |  |  |  |  |  |  |  |  |  |  |  |  |  |  |  |  |  |  |  |  |  |  |  |  |  |  |   |
|                  |   | Trigger  | 1     | Trigger task       |  |  |  |  |  |  |  |  |  |  |  |  |  |  |  |  |  |  |  |  |  |  |  |  |  |  |  |   |

### 6.36.4.2 EVENTS\_TIMEOUT

Address offset: 0x100

Watchdog timeout

| Bit number       | 31 30 29 28 27 26 25 24 23 22 21 20 19 18 17 16 15 14 13 12 11 10 9 8 7 6 5 4 3 2 1 0 |              |       |                     |  |  |  |  |  |  |  |  |  |  |  |  |  |  |  |  |  |  |  |  |  |  |  |  |  |  |  |   |
|------------------|---|--------------|-------|---------------------|--|--|--|--|--|--|--|--|--|--|--|--|--|--|--|--|--|--|--|--|--|--|--|--|--|--|--|---|
| ID               |   |              |       |                     |  |  |  |  |  |  |  |  |  |  |  |  |  |  |  |  |  |  |  |  |  |  |  |  |  |  |  | A |
| Reset 0x00000000 | 0             |              |       |                     |  |  |  |  |  |  |  |  |  |  |  |  |  |  |  |  |  |  |  |  |  |  |  |  |  |  |  |   |
| ID               | Acce Field  | Value ID     | Value | Description         |  |  |  |  |  |  |  |  |  |  |  |  |  |  |  |  |  |  |  |  |  |  |  |  |  |  |  |   |
| A                | RW EVENTS_TIMEOUT   |              |       | Watchdog timeout    |  |  |  |  |  |  |  |  |  |  |  |  |  |  |  |  |  |  |  |  |  |  |  |  |  |  |  |   |
|                  |   | NotGenerated | 0     | Event not generated |  |  |  |  |  |  |  |  |  |  |  |  |  |  |  |  |  |  |  |  |  |  |  |  |  |  |  |   |
|                  |   | Generated    | 1     | Event generated     |  |  |  |  |  |  |  |  |  |  |  |  |  |  |  |  |  |  |  |  |  |  |  |  |  |  |  |   |

### 6.36.4.3 INTENSET

Address offset: 0x304

Enable interrupt

| Bit number       | 31 30 29 28 27 26 25 24 23 22 21 20 19 18 17 16 15 14 13 12 11 10 9 8 7 6 5 4 3 2 1 0 |          |       |   |  |  |  |  |  |  |  |  |  |  |  |  |  |  |  |  |  |  |  |  |  |  |  |  |  |  |  |   |
|------------------|---|----------|-------|---|--|--|--|--|--|--|--|--|--|--|--|--|--|--|--|--|--|--|--|--|--|--|--|--|--|--|--|---|
| ID               |   |          |       |   |  |  |  |  |  |  |  |  |  |  |  |  |  |  |  |  |  |  |  |  |  |  |  |  |  |  |  | A |
| Reset 0x00000000 | 0             |          |       |   |  |  |  |  |  |  |  |  |  |  |  |  |  |  |  |  |  |  |  |  |  |  |  |  |  |  |  |   |
| ID               | Acce Field  | Value ID | Value | Description                                     |  |  |  |  |  |  |  |  |  |  |  |  |  |  |  |  |  |  |  |  |  |  |  |  |  |  |  |   |
| A                | RW TIMEOUT  |          |       | Write '1' to enable interrupt for event TIMEOUT |  |  |  |  |  |  |  |  |  |  |  |  |  |  |  |  |  |  |  |  |  |  |  |  |  |  |  |   |
|                  |   | Set      | 1     | Enable  |  |  |  |  |  |  |  |  |  |  |  |  |  |  |  |  |  |  |  |  |  |  |  |  |  |  |  |   |
|                  |   | Disabled | 0     | Read: Disabled                                  |  |  |  |  |  |  |  |  |  |  |  |  |  |  |  |  |  |  |  |  |  |  |  |  |  |  |  |   |
|                  |   | Enabled  | 1     | Read: Enabled                                   |  |  |  |  |  |  |  |  |  |  |  |  |  |  |  |  |  |  |  |  |  |  |  |  |  |  |  |   |

### 6.36.4.4 INTENCLR

Address offset: 0x308

Disable interrupt

| Bit number              | 31 30 29 28 27 26 25 24 23 22 21 20 19 18 17 16 15 14 13 12 11 10 9 8 7 6 5 4 3 2 1 0 |          |       |   |  |  |  |  |  |  |  |  |  |  |  |  |  |  |  |  |  |  |  |  |  |  |  |  |  |  |  |
|-------------------------|---|----------|-------|---|--|--|--|--|--|--|--|--|--|--|--|--|--|--|--|--|--|--|--|--|--|--|--|--|--|--|--|
| ID                      | A   |          |       |   |  |  |  |  |  |  |  |  |  |  |  |  |  |  |  |  |  |  |  |  |  |  |  |  |  |  |  |
| <b>Reset 0x00000000</b> | <b>0 0</b>        |          |       |   |  |  |  |  |  |  |  |  |  |  |  |  |  |  |  |  |  |  |  |  |  |  |  |  |  |  |  |
| ID                      | Acce Field  | Value ID | Value | Description   |  |  |  |  |  |  |  |  |  |  |  |  |  |  |  |  |  |  |  |  |  |  |  |  |  |  |  |
| A                       | RW TIMEOUT  |          |       | Write '1' to disable interrupt for event <b>TIMEOUT</b> |  |  |  |  |  |  |  |  |  |  |  |  |  |  |  |  |  |  |  |  |  |  |  |  |  |  |  |
|                         |   | Clear    | 1     | Disable   |  |  |  |  |  |  |  |  |  |  |  |  |  |  |  |  |  |  |  |  |  |  |  |  |  |  |  |
|                         |   | Disabled | 0     | Read: Disabled  |  |  |  |  |  |  |  |  |  |  |  |  |  |  |  |  |  |  |  |  |  |  |  |  |  |  |  |
|                         |   | Enabled  | 1     | Read: Enabled   |  |  |  |  |  |  |  |  |  |  |  |  |  |  |  |  |  |  |  |  |  |  |  |  |  |  |  |

### 6.36.4.5 RUNSTATUS

Address offset: 0x400

Run status

| Bit number              | 31 30 29 28 27 26 25 24 23 22 21 20 19 18 17 16 15 14 13 12 11 10 9 8 7 6 5 4 3 2 1 0 |            |       |  |  |  |  |  |  |  |  |  |  |  |  |  |  |  |  |  |  |  |  |  |  |  |  |  |  |  |  |
|-------------------------|---|------------|-------|--|--|--|--|--|--|--|--|--|--|--|--|--|--|--|--|--|--|--|--|--|--|--|--|--|--|--|--|
| ID                      | A   |            |       |  |  |  |  |  |  |  |  |  |  |  |  |  |  |  |  |  |  |  |  |  |  |  |  |  |  |  |  |
| <b>Reset 0x00000000</b> | <b>0 0</b>            |            |       |  |  |  |  |  |  |  |  |  |  |  |  |  |  |  |  |  |  |  |  |  |  |  |  |  |  |  |  |
| ID                      | Acce Field  | Value ID   | Value | Description                                      |  |  |  |  |  |  |  |  |  |  |  |  |  |  |  |  |  |  |  |  |  |  |  |  |  |  |  |
| A                       | R RUNSTATUS   |            |       | Indicates whether or not the watchdog is running |  |  |  |  |  |  |  |  |  |  |  |  |  |  |  |  |  |  |  |  |  |  |  |  |  |  |  |
|                         |   | NotRunning | 0     | Watchdog not running                             |  |  |  |  |  |  |  |  |  |  |  |  |  |  |  |  |  |  |  |  |  |  |  |  |  |  |  |
|                         |   | Running    | 1     | Watchdog is running                              |  |  |  |  |  |  |  |  |  |  |  |  |  |  |  |  |  |  |  |  |  |  |  |  |  |  |  |

### 6.36.4.6 REQSTATUS

Address offset: 0x404

Request status

| Bit number              | 31 30 29 28 27 26 25 24 23 22 21 20 19 18 17 16 15 14 13 12 11 10 9 8 7 6 5 4 3 2 1 0 |                       |       |   |  |  |  |  |  |  |  |  |  |  |  |  |  |  |  |  |  |  |  |  |  |  |  |  |                 |  |  |
|-------------------------|---|-----------------------|-------|---|--|--|--|--|--|--|--|--|--|--|--|--|--|--|--|--|--|--|--|--|--|--|--|--|-----------------|--|--|
| ID                      |   |                       |       |   |  |  |  |  |  |  |  |  |  |  |  |  |  |  |  |  |  |  |  |  |  |  |  |  | H G F E D C B A |  |  |
| <b>Reset 0x00000001</b> | <b>0 1</b>        |                       |       |   |  |  |  |  |  |  |  |  |  |  |  |  |  |  |  |  |  |  |  |  |  |  |  |  |                 |  |  |
| ID                      | Acce Field  | Value ID              | Value | Description   |  |  |  |  |  |  |  |  |  |  |  |  |  |  |  |  |  |  |  |  |  |  |  |  |                 |  |  |
| A-H                     | R RR[i] (i=0..7)  |                       |       | Request status for RR[i] register                               |  |  |  |  |  |  |  |  |  |  |  |  |  |  |  |  |  |  |  |  |  |  |  |  |                 |  |  |
|                         |   | DisabledOrRequested   | 0     | RR[i] register is not enabled, or are already requesting reload |  |  |  |  |  |  |  |  |  |  |  |  |  |  |  |  |  |  |  |  |  |  |  |  |                 |  |  |
|                         |   | EnabledAndUnrequested | 1     | RR[i] register is enabled, and are not yet requesting reload    |  |  |  |  |  |  |  |  |  |  |  |  |  |  |  |  |  |  |  |  |  |  |  |  |                 |  |  |

### 6.36.4.7 CRV

Address offset: 0x504

Counter reload value

| Bit number              | 31 30 29 28 27 26 25 24 23 22 21 20 19 18 17 16 15 14 13 12 11 10 9 8 7 6 5 4 3 2 1 0 |          |                   |  |  |  |  |  |  |  |  |  |  |  |  |  |  |  |  |  |  |  |  |  |  |  |  |  |  |  |  |
|-------------------------|---|----------|-------------------|--|--|--|--|--|--|--|--|--|--|--|--|--|--|--|--|--|--|--|--|--|--|--|--|--|--|--|--|
| ID                      | A                   |          |                   |  |  |  |  |  |  |  |  |  |  |  |  |  |  |  |  |  |  |  |  |  |  |  |  |  |  |  |  |
| <b>Reset 0xFFFFFFFF</b> | <b>1 1</b>            |          |                   |  |  |  |  |  |  |  |  |  |  |  |  |  |  |  |  |  |  |  |  |  |  |  |  |  |  |  |  |
| ID                      | Acce Field  | Value ID | Value             | Description  |  |  |  |  |  |  |  |  |  |  |  |  |  |  |  |  |  |  |  |  |  |  |  |  |  |  |  |
| A                       | RW CRV  |          | [0xF..0xFFFFFFFF] | Counter reload value in number of cycles of the 32.768 kHz clock |  |  |  |  |  |  |  |  |  |  |  |  |  |  |  |  |  |  |  |  |  |  |  |  |  |  |  |

### 6.36.4.8 RREN

Address offset: 0x508

Enable register for reload request registers

| Bit number              | 31  | 30             | 29       | 28    | 27                               | 26 | 25 | 24 | 23 | 22 | 21 | 20 | 19 | 18 | 17 | 16 | 15 | 14 | 13 | 12 | 11 | 10 | 9 | 8 | 7 | 6 | 5 | 4 | 3 | 2 | 1 | 0 |   |   |
|-------------------------|---|----------------|----------|-------|----------------------------------|----|----|----|----|----|----|----|----|----|----|----|----|----|----|----|----|----|---|---|---|---|---|---|---|---|---|---|---|---|
| ID                      |   |                |          |       |                                  |    |    |    |    |    |    |    |    |    |    |    |    |    |    |    |    |    |   |   |   |   | H | G | F | E | D | C | B | A |
| <b>Reset 0x00000001</b> | 0 1 |                |          |       |                                  |    |    |    |    |    |    |    |    |    |    |    |    |    |    |    |    |    |   |   |   |   |   |   |   |   |   |   |   |   |
| ID                      | Acce  | Field          | Value ID | Value | Description                      |    |    |    |    |    |    |    |    |    |    |    |    |    |    |    |    |    |   |   |   |   |   |   |   |   |   |   |   |   |
| A-H                     | RW  | RR[i] (i=0..7) |          |       | Enable or disable RR[i] register |    |    |    |    |    |    |    |    |    |    |    |    |    |    |    |    |    |   |   |   |   |   |   |   |   |   |   |   |   |
|                         |   |                | Disabled | 0     | Disable RR[i] register           |    |    |    |    |    |    |    |    |    |    |    |    |    |    |    |    |    |   |   |   |   |   |   |   |   |   |   |   |   |
|                         |   |                | Enabled  | 1     | Enable RR[i] register            |    |    |    |    |    |    |    |    |    |    |    |    |    |    |    |    |    |   |   |   |   |   |   |   |   |   |   |   |   |

### 6.36.4.9 CONFIG

Address offset: 0x50C

Configuration register

| Bit number              | 31  | 30    | 29       | 28    | 27   | 26 | 25 | 24 | 23 | 22 | 21 | 20 | 19 | 18 | 17 | 16 | 15 | 14 | 13 | 12 | 11 | 10 | 9 | 8 | 7 | 6 | 5 | 4 | 3 | 2 | 1 | 0 |
|-------------------------|---|-------|----------|-------|--|----|----|----|----|----|----|----|----|----|----|----|----|----|----|----|----|----|---|---|---|---|---|---|---|---|---|---|
| ID                      |   |       |          |       |  |    |    |    |    |    |    |    |    |    |    |    |    |    |    |    |    |    |   |   |   |   | C | A |   |   |   |   |
| <b>Reset 0x00000001</b> | 0 1 |       |          |       |  |    |    |    |    |    |    |    |    |    |    |    |    |    |    |    |    |    |   |   |   |   |   |   |   |   |   |   |
| ID                      | Acce  | Field | Value ID | Value | Description  |    |    |    |    |    |    |    |    |    |    |    |    |    |    |    |    |    |   |   |   |   |   |   |   |   |   |   |
| A                       | RW  | SLEEP |          |       | Configure the watchdog to either be paused, or kept running, while the CPU is sleeping               |    |    |    |    |    |    |    |    |    |    |    |    |    |    |    |    |    |   |   |   |   |   |   |   |   |   |   |
|                         |   |       | Pause    | 0     | Pause watchdog while the CPU is sleeping   |    |    |    |    |    |    |    |    |    |    |    |    |    |    |    |    |    |   |   |   |   |   |   |   |   |   |   |
|                         |   |       | Run      | 1     | Keep the watchdog running while the CPU is sleeping  |    |    |    |    |    |    |    |    |    |    |    |    |    |    |    |    |    |   |   |   |   |   |   |   |   |   |   |
| C                       | RW  | HALT  |          |       | Configure the watchdog to either be paused, or kept running, while the CPU is halted by the debugger |    |    |    |    |    |    |    |    |    |    |    |    |    |    |    |    |    |   |   |   |   |   |   |   |   |   |   |
|                         |   |       | Pause    | 0     | Pause watchdog while the CPU is halted by the debugger   |    |    |    |    |    |    |    |    |    |    |    |    |    |    |    |    |    |   |   |   |   |   |   |   |   |   |   |
|                         |   |       | Run      | 1     | Keep the watchdog running while the CPU is halted by the debugger                                    |    |    |    |    |    |    |    |    |    |    |    |    |    |    |    |    |    |   |   |   |   |   |   |   |   |   |   |

### 6.36.4.10 RR[n] (n=0..7)

Address offset: 0x600 + (n × 0x4)

Reload request n

| Bit number              | 31  | 30    | 29       | 28         | 27  | 26 | 25 | 24 | 23 | 22 | 21 | 20 | 19 | 18 | 17 | 16 | 15 | 14 | 13 | 12 | 11 | 10 | 9 | 8 | 7 | 6 | 5 | 4 | 3 | 2 | 1 | 0 |
|-------------------------|---|-------|----------|------------|---|----|----|----|----|----|----|----|----|----|----|----|----|----|----|----|----|----|---|---|---|---|---|---|---|---|---|---|
| ID                      | A   | A     | A        | A          | A   | A  | A  | A  | A  | A  | A  | A  | A  | A  | A  | A  | A  | A  | A  | A  | A  | A  | A | A | A | A | A | A | A | A | A |   |
| <b>Reset 0x00000000</b> | 0 |       |          |            |   |    |    |    |    |    |    |    |    |    |    |    |    |    |    |    |    |    |   |   |   |   |   |   |   |   |   |   |
| ID                      | Acce  | Field | Value ID | Value      | Description                                     |    |    |    |    |    |    |    |    |    |    |    |    |    |    |    |    |    |   |   |   |   |   |   |   |   |   |   |
| A                       | W   | RR    |          |            | Reload request register                         |    |    |    |    |    |    |    |    |    |    |    |    |    |    |    |    |    |   |   |   |   |   |   |   |   |   |   |
|                         |   |       | Reload   | 0x6E524635 | Value to request a reload of the watchdog timer |    |    |    |    |    |    |    |    |    |    |    |    |    |    |    |    |    |   |   |   |   |   |   |   |   |   |   |

## 6.36.5 Electrical specification

### 6.36.5.1 Watchdog Timer Electrical Specification

| Symbol           | Description       | Min. | Typ. | Max. | Units |
|------------------|-------------------|------|------|------|-------|
| t <sub>WDT</sub> | Time out interval | 458  |      | 36   | μs    |

# 7 Hardware and layout

## 7.1 Pin assignments

The pin assignment figures and tables describe the pinouts for the product variants of the chip.

The nRF52840 device provides flexibility regarding GPIO pin routing and configuration. However, some pins have limitations or recommendations for pin configurations and uses.

### 7.1.1 aQFN73 ball assignments

The ball assignment figure and table in the following section describe the assignments for this variant of the chip.

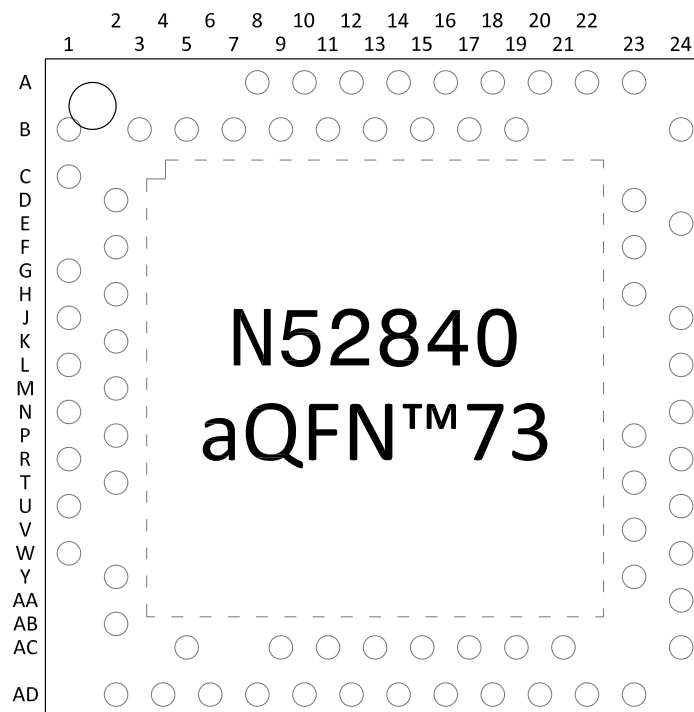


Figure 207: aQFN™73 ball assignments, top view

| Pin | Name   | Function     | Description                           | Recommended usage   |
|-----|--------|--------------|---------------------------------------|---|
| A8  | P0.31  | Digital I/O  | General purpose I/O                   | Standard drive, low frequency I/O only  |
|     | AIN7   | Analog input | Analog input                          |   |
| A10 | P0.29  | Digital I/O  | General purpose I/O                   | Standard drive, low frequency I/O only  |
|     | AIN5   | Analog input | Analog input                          |   |
| A12 | P0.02  | Digital I/O  | General purpose I/O                   | Standard drive, low frequency I/O only  |
|     | AIN0   | Analog input | Analog input                          |   |
| A14 | P1.15  | Digital I/O  | General purpose I/O                   | Standard drive, low frequency I/O only  |
| A16 | P1.13  | Digital I/O  | General purpose I/O                   | Standard drive, low frequency I/O only  |
| A18 | DEC2   | Power        | 1.3 V regulator supply decoupling     |   |
| A20 | P1.10  | Digital I/O  | General purpose I/O                   | Standard drive, low frequency I/O only  |
| A22 | VDD    | Power        | Power supply                          |   |
| A23 | XC2    | Analog input | Connection for 32 MHz crystal         |   |
| B1  | VDD    | Power        | Power supply                          |   |
| B3  | DCC    | Power        | DC/DC converter output                |   |
| B5  | DEC4   | Power        | 1.3 V regulator supply decoupling     | Must be connected to DEC6 (pin E24)   |
| B7  | VSS    | Power        | Ground                                |   |
| B9  | P0.30  | Digital I/O  | General purpose I/O                   | Standard drive, low frequency I/O only  |
|     | AIN6   | Analog input | Analog input                          |   |
| B11 | P0.28  | Digital I/O  | General purpose I/O                   | Standard drive, low frequency I/O only  |
|     | AIN4   | Analog input | Analog input                          |   |
| B13 | P0.03  | Digital I/O  | General purpose I/O                   | Standard drive, low frequency I/O only  |
|     | AIN1   | Analog input | Analog input                          |   |
| B15 | P1.14  | Digital I/O  | General purpose I/O                   | Standard drive, low frequency I/O only  |
| B17 | P1.12  | Digital I/O  | General purpose I/O                   | Standard drive, low frequency I/O only  |
| B19 | P1.11  | Digital I/O  | General purpose I/O                   | Standard drive, low frequency I/O only  |
| B24 | XC1    | Analog input | Connection for 32 MHz crystal         |   |
| C1  | DEC1   | Power        | 1.1 V regulator supply decoupling     |   |
| D2  | P0.00  | Digital I/O  | General purpose I/O                   |   |
|     | XL1    | Analog input | Connection for 32.768 kHz crystal     |   |
| D23 | DEC3   | Power        | Power supply, decoupling              |   |
| E24 | DEC6   | Power        | 1.3 V regulator supply decoupling     | Must be connected to DEC4 (pin B5)  |
| F2  | P0.01  | Digital I/O  | General purpose I/O                   |   |
|     | XL2    | Analog input | Connection for 32.768 kHz crystal     |   |
| F23 | VSS_PA | Power        | Ground (radio supply)                 |   |
| G1  | P0.26  | Digital I/O  | General purpose I/O                   |   |
| H2  | P0.27  | Digital I/O  | General purpose I/O                   |   |
| H23 | ANT    | RF           | Single-ended radio antenna connection | See <a href="#">Reference circuitry</a> on page 588 for guidelines on how to ensure good RF performance |
| J1  | P0.04  | Digital I/O  | General purpose I/O                   |   |
|     | AIN2   | Analog input | Analog input                          |   |
| J24 | P0.10  | Digital I/O  | General purpose I/O                   | Standard drive, low frequency I/O only  |

| Pin  | Name          | Function     | Description  | Recommended usage                      |
|------|---------------|--------------|--|--|
|      | NFC2          | NFC input    | NFC antenna connection   |  |
| K2   | P0.05         | Digital I/O  | General purpose I/O  |  |
|      | AIN3          | Analog input | Analog input   |  |
| L1   | P0.06         | Digital I/O  | General purpose I/O  |  |
| L24  | P0.09         | Digital I/O  | General purpose I/O  | Standard drive, low frequency I/O only |
|      | NFC1          | NFC input    | NFC antenna connection   |  |
| M2   | P0.07         | Digital I/O  | General purpose I/O  |  |
|      | TRACECLK      | Trace clock  | Trace buffer clock   |  |
| N1   | P0.08         | Digital I/O  | General purpose I/O  |  |
| N24  | DEC5          | Power        | 1.3 V regulator supply decoupling for build codes Dxx and earlier. |  |
|      | Not connected |              | Not connected for build codes Fxx and later.                       |  |
| P2   | P1.08         | Digital I/O  | General purpose I/O  |  |
| P23  | P1.07         | Digital I/O  | General purpose I/O  | Standard drive, low frequency I/O only |
| R1   | P1.09         | Digital I/O  | General purpose I/O  |  |
|      | TRACEDATA3    | Trace data   | Trace buffer TRACEDATA[3]  |  |
| R24  | P1.06         | Digital I/O  | General purpose I/O  | Standard drive, low frequency I/O only |
| T2   | P0.11         | Digital I/O  | General purpose I/O  |  |
|      | TRACEDATA2    | Trace data   | Trace buffer TRACEDATA[2]  |  |
| T23  | P1.05         | Digital I/O  | General purpose I/O  | Standard drive, low frequency I/O only |
| U1   | P0.12         | Digital I/O  | General purpose I/O  |  |
|      | TRACEDATA1    | Trace data   | Trace buffer TRACEDATA[1]  |  |
| U24  | P1.04         | Digital I/O  | General purpose I/O  | Standard drive, low frequency I/O only |
| V23  | P1.03         | Digital I/O  | General purpose I/O  | Standard drive, low frequency I/O only |
| W1   | VDD           | Power        | Power supply   |  |
| W24  | P1.02         | Digital I/O  | General purpose I/O  | Standard drive, low frequency I/O only |
| Y2   | VDDH          | Power        | High voltage power supply  |  |
| Y23  | P1.01         | Digital I/O  | General purpose I/O  | Standard drive, low frequency I/O only |
| AA24 | SWDCLK        | Debug        | Serial wire debug clock input for debug and programming            |  |
| AB2  | DCCH          | Power        | DC/DC converter output   |  |
| AC5  | DECUSB        | Power        | USB 3.3 V regulator supply decoupling                              |  |
| AC9  | P0.14         | Digital I/O  | General purpose I/O  |  |
| AC11 | P0.16         | Digital I/O  | General purpose I/O  |  |
| AC13 | P0.18         | Digital I/O  | General purpose I/O  | QSPI/CSN                               |
|      | nRESET        |              | Configurable as pin RESET  |  |
| AC15 | P0.19         | Digital I/O  | General purpose I/O  | QSPI/SCK                               |
| AC17 | P0.21         | Digital I/O  | General purpose I/O  | QSPI                                   |
| AC19 | P0.23         | Digital I/O  | General purpose I/O  | QSPI                                   |
| AC21 | P0.25         | Digital I/O  | General purpose I/O  |  |
| AC24 | SWDIO         | Debug        | Serial wire debug I/O for debug and programming                    |  |
| AD2  | VBUS          | Power        | 5 V input for USB 3.3 V regulator                                  |  |
| AD4  | D-            | USB          | USB D-   |  |
| AD6  | D+            | USB          | USB D+   |  |

| Pin     | Name       | Function    | Description   | Recommended usage   |
|---------|------------|-------------|---|---|
| AD8     | P0.13      | Digital I/O | General purpose I/O                                   |   |
| AD10    | P0.15      | Digital I/O | General purpose I/O                                   |   |
| AD12    | P0.17      | Digital I/O | General purpose I/O                                   |   |
| AD14    | VDD        | Power       | Power supply  |   |
| AD16    | P0.20      | Digital I/O | General purpose I/O                                   |   |
| AD18    | P0.22      | Digital I/O | General purpose I/O                                   | QSPI  |
| AD20    | P0.24      | Digital I/O | General purpose I/O                                   |   |
| AD22    | P1.00      | Digital I/O | General purpose I/O                                   | QSPI  |
|         | TRACEDATA0 | Trace data  | Trace buffer TRACEDATA[0]<br>Serial wire output (SWO) |   |
| AD23    | VDD        | Power       | Power supply  |   |
| Die pad | VSS        | Power       | Ground pad  | Exposed die pad must be connected to ground (VSS) for proper device operation |

Table 145: aQFN™ 73 ball assignments

**Note:** For more information on standard drive, see [GPIO — General purpose input/output](#) on page 151. Low frequency I/O is a signal with a frequency up to 10 kHz.

## 7.1.2 QFN48 pin assignments

The pin assignment figure and table describe the assignments for this variant of the chip.

**Note:** VDD and VDDH are shortcircuited inside the package. Therefore the device is only usable in Normal Voltage supply mode, and not High Voltage supply mode.

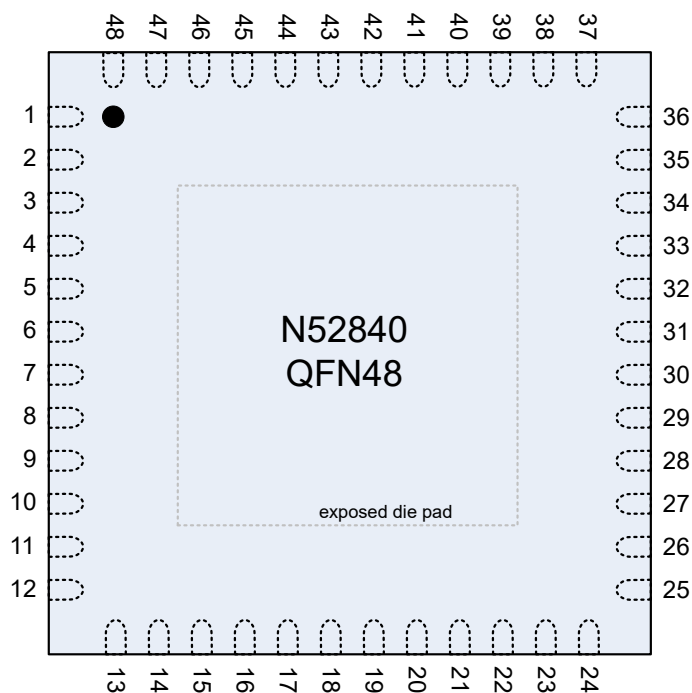


Figure 208: QFN48 pin assignments, top view



| Pin                           | Name       | Function     | Description   | Recommended usage                      |
|-------------------------------|------------|--------------|---|--|
| <b>Left side of the chip</b>  |            |              |   |  |
| 1                             | DEC1       | Power        | 1.1 V Digital supply decoupling                         |  |
| 2                             | P0.00      | Digital I/O  | General purpose I/O                                     |  |
|                               | XL1        | Analog input | Connection for 32.768 kHz crystal                       |  |
| 3                             | P0.01      | Digital I/O  | General purpose I/O                                     |  |
|                               | XL2        | Analog input | Connection for 32.768 kHz crystal                       |  |
| 4                             | P0.04      | Digital I/O  | General purpose I/O                                     |  |
|                               | AIN2       | Analog input | Analog input  |  |
| 5                             | P0.05      | Digital I/O  | General purpose I/O                                     |  |
|                               | AIN3       | Analog input | Analog input  |  |
| 6                             | P0.07      | Digital I/O  | General purpose I/O                                     |  |
|                               | TRACECLK   | Trace clock  | Trace buffer clock                                      |  |
| 7                             | P0.08      | Digital I/O  | General purpose I/O                                     |  |
| 8                             | P1.08      | Digital I/O  | General purpose I/O                                     |  |
| 9                             | P1.09      | Digital I/O  | General purpose I/O                                     |  |
|                               | TRACEDATA3 | Trace data   | Trace buffer TRACEDATA[3]                               |  |
| 10                            | P0.11      | Digital I/O  | General purpose I/O                                     |  |
|                               | TRACEDATA2 | Trace data   | Trace buffer TRACEDATA[2]                               |  |
| 11                            | P0.12      | Digital I/O  | General purpose I/O                                     |  |
|                               | TRACEDATA1 | Trace data   | Trace buffer TRACEDATA[1]                               |  |
| 12                            | VDD        | Power        | Power supply  |  |
| <b>Bottom side of chip</b>    |            |              |   |  |
| 13                            | P0.13      | Digital I/O  | General purpose I/O                                     |  |
| 14                            | P0.14      | Digital I/O  | General purpose I/O                                     |  |
| 15                            | P0.17      | Digital I/O  | General purpose I/O                                     |  |
| 16                            | P0.18      | Digital I/O  | General purpose I/O                                     | QSPI/CSN                               |
|                               | nRESET     |              | Configurable as pin RESET                               |  |
| 17                            | VDD        | Power        | Power supply  |  |
| 18                            | P0.19      | Digital I/O  | General purpose I/O                                     | QSPI/SCK                               |
| 19                            | P0.20      | Digital I/O  | General purpose I/O                                     |  |
| 20                            | P0.21      | Digital I/O  | General purpose I/O                                     | QSPI                                   |
| 21                            | P0.22      | Digital I/O  | General purpose I/O                                     | QSPI                                   |
| 22                            | P0.23      | Digital I/O  | General purpose I/O                                     | QSPI                                   |
| 23                            | P0.24      | Digital I/O  | General purpose I/O                                     |  |
| 24                            | P1.00      | Digital I/O  | General purpose I/O                                     | QSPI                                   |
|                               | TRACEDATA0 | Trace data   | Trace buffer TRACEDATA[0]<br>Serial wire output (SWO)   |  |
| <b>Right side of the chip</b> |            |              |   |  |
| 25                            | VDD        | Power        | Power supply  |  |
| 26                            | SWDIO      | Debug        | Serial wire debug I/O for debug and programming         |  |
| 27                            | SWDCLK     | Debug        | Serial wire debug clock input for debug and programming |  |
| 28                            | NC         |              | Not connected   |  |
| 29                            | P0.09      | Digital I/O  | General purpose I/O                                     | Standard drive, low frequency I/O only |
|                               | NFC1       | NFC input    | NFC antenna connection                                  |  |
| 30                            | P0.10      | Digital I/O  | General purpose I/O                                     | Standard drive, low frequency I/O only |
|                               | NFC2       | NFC input    | NFC antenna connection                                  |  |

| Pin                         | Name   | Function     | Description                           | Recommended usage   |
|-----------------------------|--------|--------------|---------------------------------------|---|
| 31                          | ANT    | RF           | Single-ended radio antenna connection | See <a href="#">Reference circuitry</a> on page 588 for guidelines on how to ensure good RF performance |
| 32                          | VSS_PA | Power        | Ground (radio supply)                 |   |
| 33                          | DEC6   | Power        | 1.3 V regulator supply decoupling     | Must be connected to DEC4 (pin 46)  |
| 34                          | DEC3   | Power        | Power supply, decoupling              |   |
| 35                          | XC1    | Analog input | Connection for 32 MHz crystal         |   |
| 36                          | XC2    | Analog input | Connection for 32 MHz crystal         |   |
| <b>Top side of the chip</b> |        |              |                                       |   |
| 37                          | VDD    | Power        | Power supply                          |   |
| 38                          | P1.15  | Digital I/O  | General purpose I/O                   | Standard drive, low frequency I/O only  |
| 39                          | P0.03  | Digital I/O  | General purpose I/O                   | Standard drive, low frequency I/O only  |
|                             | AIN1   | Analog input | Analog input                          |   |
| 40                          | P0.02  | Digital I/O  | General purpose I/O                   | Standard drive, low frequency I/O only  |
|                             | AIN0   | Analog input | Analog input                          |   |
| 41                          | P0.28  | Digital I/O  | General purpose I/O                   | Standard drive, low frequency I/O only  |
|                             | AIN4   | Analog input | Analog input                          |   |
| 42                          | P0.29  | Digital I/O  | General purpose I/O                   | Standard drive, low frequency I/O only  |
|                             | AIN5   | Analog input | Analog input                          |   |
| 43                          | P0.30  | Digital I/O  | General purpose I/O                   | Standard drive, low frequency I/O only  |
|                             | AIN6   | Analog input | Analog input                          |   |
| 44                          | P0.31  | Digital I/O  | General purpose I/O                   | Standard drive, low frequency I/O only  |
|                             | AIN7   | Analog input | Analog input                          |   |
| 45                          | VSS    | Power        | Ground                                |   |
| 46                          | DEC4   | Power        | 1.3 V regulator supply decoupling     | Must be connected to DEC6 (pin 33)  |
| 47                          | DCC    | Power        | DC/DC converter output                |   |
| 48                          | VDD    | Power        | Power supply                          |   |
| <b>Backside of the chip</b> |        |              |                                       |   |
| Die pad                     | VSS    | Power        | Ground pad                            | Exposed die pad must be connected to ground (VSS) for proper device operation                           |

Table 146: QFN48 pin assignments

### 7.1.3 WLCSP ball assignments

The ball assignment figure and table describe the assignments for this variant of the chip.

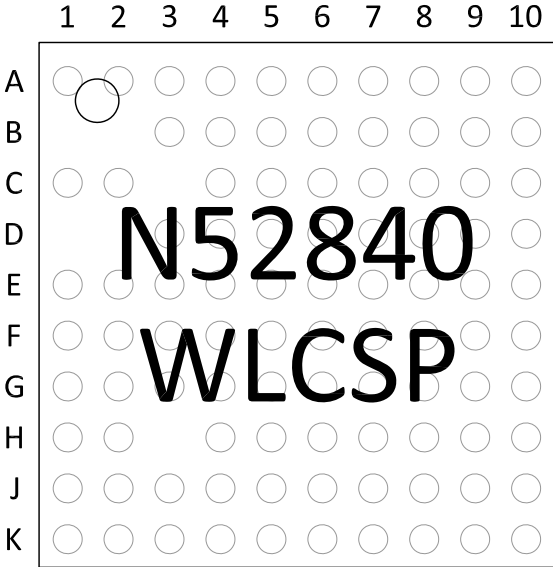


Figure 209: WLCSP ball assignments, top view

| Pin | Name   | Function     | Description   | Recommended usage                      |
|-----|--------|--------------|---|--|
| A1  | XC1    | Analog input | Connection for 32 MHz crystal   |  |
| A2  | XC2    | Analog input | Connection for 32 MHz crystal   |  |
| A3  | P1.11  | Digital I/O  | General purpose I/O   | Standard drive, low frequency I/O only |
| A4  | P1.13  | Digital I/O  | General purpose I/O   | Standard drive, low frequency I/O only |
| A5  | P0.03  | Digital I/O  | General purpose I/O   | Standard drive, low frequency I/O only |
|     | AIN1   | Analog input | Analog input  |  |
| A6  | P0.28  | Digital I/O  | General purpose I/O   | Standard drive, low frequency I/O only |
|     | AIN4   | Analog input | Analog input  |  |
| A7  | P0.30  | Digital I/O  | General purpose I/O   | Standard drive, low frequency I/O only |
|     | AIN6   | Analog input | Analog input  |  |
| A8  | DEC4   | Power        | 1.3 V regulator supply decoupling<br>Must be connected to DEC6 (pin C2) |  |
| A9  | DCC    | Power        | DC/DC converter output  |  |
| A10 | DEC1   | Power        | 1.1 V regulator supply decoupling                                       |  |
| B3  | VDD    | Power        | Power supply  |  |
| B4  | P1.10  | Digital I/O  | General purpose I/O   | Standard drive, low frequency I/O only |
| B5  | P1.14  | Digital I/O  | General purpose I/O   | Standard drive, low frequency I/O only |
| B6  | P0.02  | Digital I/O  | General purpose I/O   | Standard drive, low frequency I/O only |
|     | AIN0   | Analog input | Analog input  |  |
| B7  | VSS    | Power        | Ground  |  |
| B8  | VDD    | Power        | Power supply  |  |
| B9  | P0.00  | Digital I/O  | General purpose I/O   |  |
|     | XL1    | Analog input | Connection for 32.768 kHz crystal                                       |  |
| B10 | P0.01  | Digital I/O  | General purpose I/O   |  |
|     | XL2    | Analog input | Connection for 32.768 kHz crystal                                       |  |
| C1  | VSS_PA | Power        | Ground (radio supply)   |  |
| C2  | DEC6   | Power        | 1.3 V regulator supply decoupling<br>Must be connected to DEC4 (pin A8) |  |
| C4  | VSS    | Power        | Ground  |  |
| C5  | P1.12  | Digital I/O  | General purpose I/O   | Standard drive, low frequency I/O only |
| C6  | P1.15  | Digital I/O  | General purpose I/O   | Standard drive, low frequency I/O only |
| C7  | P0.29  | Digital I/O  | General purpose I/O   | Standard drive, low frequency I/O only |
|     | AIN5   | Analog input | Analog input  |  |
| C8  | P0.31  | Digital I/O  | General purpose I/O   | Standard drive, low frequency I/O only |
|     | AIN7   | Analog input | Analog input  |  |
| C9  | P0.26  | Digital I/O  | General purpose I/O   |  |
| C10 | P0.04  | Digital I/O  | General purpose I/O   |  |
|     | AIN2   | Analog input | Analog input  |  |
| D3  | VSS    | Power        | Ground  |  |
| D4  | VSS    | Power        | Ground  |  |
| D5  | VSS    | Power        | Ground  |  |
| D6  | VSS    | Power        | Ground  |  |
| D7  | VSS    | Power        | Ground  |  |
| D8  | VSS    | Power        | Ground  |  |

| Pin | Name          | Function      | Description  | Recommended usage   |
|-----|---------------|---------------|--|---|
| D9  | P0.27         | Digital I/O   | General purpose I/O  |   |
| D10 | P0.05         | Digital I/O   | General purpose I/O  |   |
|     | AIN3          | Analog input  | Analog input   |   |
| E1  | ANT           | RF            | Single-ended radio antenna connection                              | See <a href="#">Reference circuitry</a> on page 588 for guidelines on how to ensure good RF performance |
| E2  | P0.10         | Digital I/O   | General purpose I/O  | Standard drive, low frequency I/O only  |
|     | NFC2          | NFC input     | NFC antenna connection   |   |
| E3  | P1.06         | Digital I/O   | General purpose I/O  | Standard drive, low frequency I/O only  |
| E4  | VSS           | Power         | Ground   |   |
| E5  | VSS           | Power         | Ground   |   |
| E6  | VSS           | Power         | Ground   |   |
| E7  | VSS           | Power         | Ground   |   |
| E8  | VSS           | Power         | Ground   |   |
| E9  | P0.06         | Digital I/O   | General purpose I/O  |   |
| E10 | P0.08         | Digital I/O   | General purpose I/O  |   |
| F1  | P0.09         | Digital I/O   | General purpose I/O  | Standard drive, low frequency I/O only  |
|     | NFC1          | NFC input     | NFC antenna connection   |   |
| F2  | DEC5          | Power         | 1.3 V regulator supply decoupling for build codes Dxx and earlier. |   |
|     | Not connected |               | Not connected for build codes Fxx and later.                       |   |
| F3  | P1.03         | Digital I/O   | General purpose I/O  | Standard drive, low frequency I/O only  |
| F4  | VSS           | Power         | Ground   |   |
| F5  | VSS           | Power         | Ground   |   |
| F6  | VSS           | Power         | Ground   |   |
| F7  | VSS           | Power         | Ground   |   |
| F8  | VSS           | Power         | Ground   |   |
| F9  | P0.07         | Digital I/O   | General purpose I/O  |   |
|     | TRACECLK      | Trace clock   | Trace buffer clock   |   |
| F10 | P1.09         | Digital I/O   | General purpose I/O  |   |
|     | TRACEDATA3    | Trace data    | Trace buffer TRACEDATA[3]  |   |
| G1  | P1.07         | Digital I/O   | General purpose I/O  | Standard drive, low frequency I/O only  |
| G2  | P1.05         | Digital I/O   | General purpose I/O  | Standard drive, low frequency I/O only  |
| G3  | P1.02         | Digital I/O   | General purpose I/O  | Standard drive, low frequency I/O only  |
| G4  | VSS           | Power         | Ground   |   |
| G5  | VSS           | Power         | Ground   |   |
| G6  | VSS           | Power         | Ground   |   |
| G7  | VSS           | Power         | Ground   |   |
| G8  | VSS           | Power         | Ground   |   |
| G9  | P1.08         | Digital I/O   | General purpose I/O  |   |
| G10 | P0.12         | Digital I/O   | General purpose I/O  |   |
|     | TRACEDATA1    | Trace data    | Trace buffer TRACEDATA[1]  |   |
| H1  | P1.04         | Digital I/O   | General purpose I/O  | Standard drive, low frequency I/O only  |
| H2  | SWDCLK        | Digital input | Serial wire debug clock input for debug and programming            |   |

| Pin | Name       | Function    | Description   | Recommended usage                      |
|-----|------------|-------------|---|--|
| H4  | P0.24      | Digital I/O | General purpose I/O                                   |  |
| H5  | P0.23      | Digital I/O | General purpose I/O                                   | QSPI                                   |
| H6  | P0.16      | Digital I/O | General purpose I/O                                   |  |
| H7  | P0.13      | Digital I/O | General purpose I/O                                   |  |
| H8  | P0.11      | Digital I/O | General purpose I/O                                   |  |
|     | TRACEDATA2 | Trace data  | Trace buffer TRACEDATA[2]                             |  |
| H9  | DCCH       | Power       | DC/DC converter output                                |  |
| H10 | VDD        | Power       | Power supply  |  |
| J1  | P1.01      | Digital I/O | General purpose I/O                                   | Standard drive, low frequency I/O only |
| J2  | SWDIO      | Digital I/O | Serial wire debug I/O for debug and programming       |  |
| J3  | P1.00      | Digital I/O | General purpose I/O                                   | QSPI                                   |
|     | TRACEDATA0 | Trace data  | Trace buffer TRACEDATA[0]<br>Serial wire output (SWO) |  |
| J4  | P0.21      | Digital I/O | General purpose I/O                                   | QSPI                                   |
| J5  | P0.20      | Digital I/O | General purpose I/O                                   |  |
| J6  | P0.17      | Digital I/O | General purpose I/O                                   |  |
| J7  | P0.14      | Digital I/O | General purpose I/O                                   |  |
| J8  | D-         | USB         | USB D-  |  |
| J9  | VBUS       | Power       | 5 V input for USB 3.3 V regulator                     |  |
| J10 | VDDH       | Power       | High voltage power supply                             |  |
| K1  | VDD        | Power       | Power supply  |  |
| K2  | P0.25      | Digital I/O | General purpose I/O                                   |  |
| K3  | P0.22      | Digital I/O | General purpose I/O                                   | QSPI                                   |
| K4  | P0.19      | Digital I/O | General purpose I/O                                   | QSPI/SCK                               |
| K5  | VDD        | Power       | Power supply  |  |
| K6  | P0.18      | Digital I/O | General purpose I/O                                   |  |
|     | nRESET     |             | Configurable as pin reset                             |  |
| K7  | P0.15      | Digital I/O | General purpose I/O                                   |  |
| K8  | D+         | USB         | USB D+  |  |
| K9  | DECUSB     | Power       | USB 3.3 V regulator supply decoupling                 |  |
| K10 | VSS        | Power       | Ground  |  |

Table 147: WLCSP ball assignments

**Note:** For more information on standard drive, see [GPIO — General purpose input/output](#) on page 151. Low frequency I/O is a signal with a frequency up to 10 kHz.

## 7.2 Mechanical specifications

The mechanical specifications for the packages show the dimensions in millimeters.

### 7.2.1 aQFN73 7 x 7 mm package

Dimensions in millimeters for the aQFN™ 73 7 x 7 mm package.

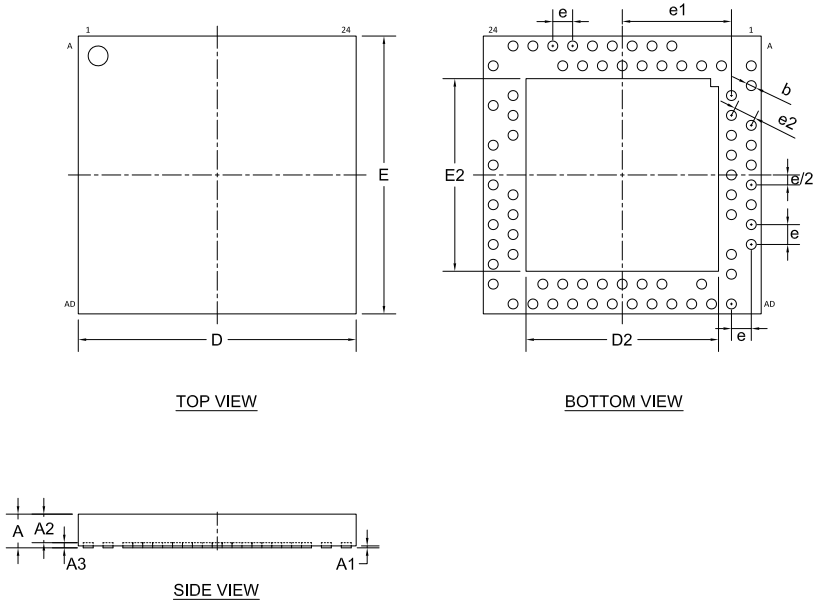


Figure 210: aQFN™ 73 7 x 7 mm package

|             | A    | A1   | A2    | A3   | b    | D, E | D2, E2 | e    | e1   | e2    |
|-------------|------|------|-------|------|------|------|--------|------|------|-------|
| <b>Min.</b> |      | 0.00 |       |      | 0.20 | 6.90 | 4.75   |      |      |       |
| <b>Nom.</b> |      |      | 0.675 | 0.13 | 0.25 | 7.00 | 4.85   | 0.50 | 2.75 | 0.559 |
| <b>Max.</b> | 0.85 | 0.08 |       |      | 0.30 | 7.10 | 4.95   |      |      |       |

Table 148: aQFN™ 73 dimensions in millimeters

### 7.2.2 QFN48 6 x 6 mm package

Dimensions in millimeters for the QFN48 6 x 6 mm package.

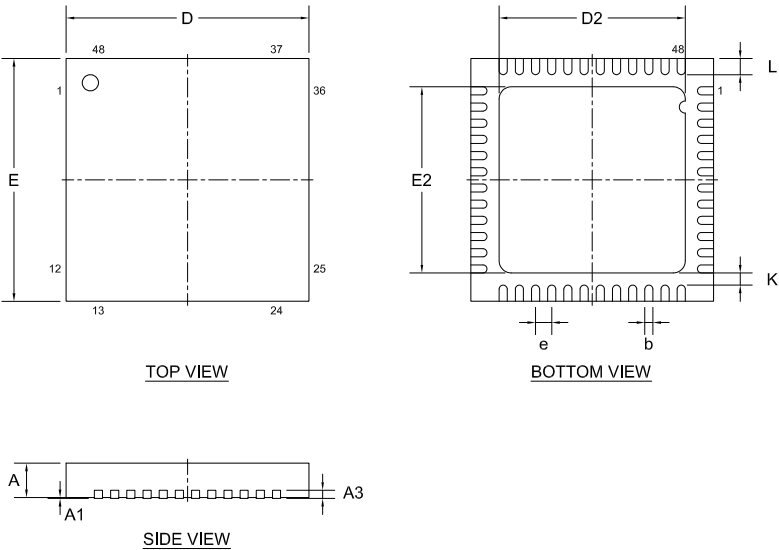


Figure 211: QFN48 6 x 6 mm package

|             | A    | A1    | A3    | b    | D, E | D2, E2 | e   | K   | L    |
|-------------|------|-------|-------|------|------|--------|-----|-----|------|
| <b>Min.</b> | 0.80 | 0.00  |       | 0.15 | 5.9  | 4.5    |     | 0.2 | 0.35 |
| <b>Nom.</b> | 0.85 | 0.035 | 0.203 | 0.20 | 6.0  | 4.6    | 0.4 |     | 0.40 |
| <b>Max.</b> | 0.90 | 0.05  |       | 0.25 | 6.1  | 4.7    |     |     | 0.45 |

Table 149: QFN48 dimensions in millimeters

### 7.2.3 WLCSP 3.544 x 3.607 mm package

Dimensions in millimeters for the WLCSP 3.544 x 3.607 mm package.

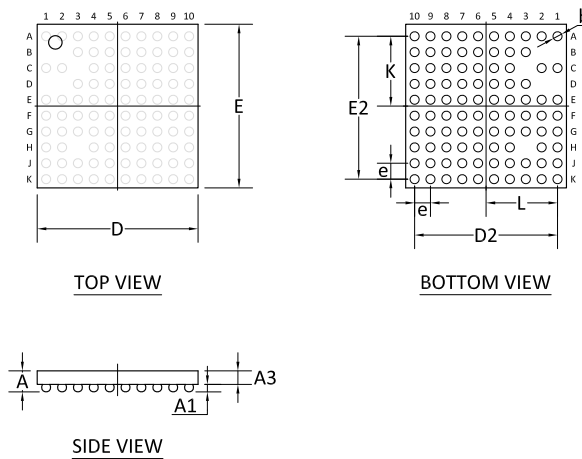


Figure 212: WLCSP 3.544 x 3.607 mm package

|             | A     | A1    | A3    | b     | D     | E     | D2   | E2   | e    | K     | L     |
|-------------|-------|-------|-------|-------|-------|-------|------|------|------|-------|-------|
| <b>Min.</b> | 0.464 | 0.148 | 0.303 | 0.184 | 3.514 | 3.577 |      |      |      |       |       |
| <b>Nom.</b> | 0.489 |       | 0.325 |       | 3.544 | 3.607 | 3.15 | 3.15 | 0.35 | 1.575 | 1.575 |
| <b>Max.</b> | 0.514 | 0.18  | 0.347 | 0.244 | 3.574 | 3.637 |      |      |      |       |       |

Table 150: WLCSP dimensions in millimeters

## 7.3 Reference circuitry

To ensure good RF performance when designing PCBs, it is highly recommended to use the PCB layouts and component values provided by Nordic Semiconductor.

Documentation for the different package reference circuits, including Altium Designer files, PCB layout files, and PCB production files can be downloaded from the product page for the nRF52840 on [www.nordicsemi.com](http://www.nordicsemi.com).

In this section there are reference circuits for QIAA aQFN™ 73, QFAA QFN48, and CKAA WLCSP showing the components and component values to support on-chip features in a design.

**Note:** This is not a complete list of configurations, but all required circuitry is shown for further configurations.

Some general guidance is summarized here:



- External supply from VDD is only available when power is supplied to VDDH. External supply is annotated with the VEXT net name.
- When supplying power from a USB source only, VBUS must be connected to VDDH if USB is to be used.
- Components required for DC/DC function are only needed if DC/DC mode is enabled for that regulator.
- NFC can be used in any configuration.
- USB can be used in any configuration as long as VBUS is supplied by the USB host.
- The schematics include an optional series resistor on the USB supply for improved immunity to transient overvoltage during VBUS connection. Using the series resistor is recommended for new designs.
- Two component values for the RF-Match network for the QIAA aQFN™ 73 package are given and referred to as v1.0 and v1.1 in the following tables. The reference schematics use v1.1 component values, which are recommended for new designs to improve the margin for spurious emissions during regulatory approval tests. However, both v1.0 and v1.1 are valid and can be used. All other RF parameters are unchanged.
- A new reference design with four-component RF match has been added for the QIAA aQFN™ 73 package. The four-component RF match improves harmonic suppression when using Radio with TXPOWER equal to 5dBm or above. However, previous 3 component RF-match designs are valid and can be used. Using this four-component RF match is recommended for new designs.

### Circuit configurations for QIAA aQFN™ 73

| Config no.             | Supply configuration   |                        | Features that can be enabled for each configuration example |         |         |     |     |
|------------------------|------------------------|------------------------|---|---------|---------|-----|-----|
|                        | VDDH                   | VDD                    | EXTSUPPLY   | DCDCEN0 | DCDCEN1 | USB | NFC |
| Config. 1              | USB (VDDH = VBUS)      | N/A                    | Yes   | No      | No      | Yes | No  |
| Config. 2              | Battery/Ext. regulator | N/A                    | Yes   | No      | No      | Yes | No  |
| Config. 3              | N/A                    | Battery/Ext. regulator | No  | No      | No      | Yes | No  |
| Config. 4              | Battery/Ext. regulator | N/A                    | Yes   | Yes     | Yes     | Yes | No  |
| Config. 5              | N/A                    | Battery/Ext. regulator | No  | No      | Yes     | Yes | Yes |
| Config. 6              | N/A                    | Battery/Ext. regulator | No  | No      | No      | No  | No  |
| Config. 7 <sup>1</sup> | Battery/Ext. regulator | N/A                    | Yes   | Yes     | Yes     | Yes | No  |

Table 151: Circuit configurations

<sup>1</sup>Reference design with four-component RF match.

## Circuit configurations for QFAA QFN48

| Config no. | Supply configuration |                        | Features that can be enabled for each configuration example |                      |         |                  |     |
|------------|----------------------|------------------------|---|----------------------|---------|------------------|-----|
|            | VDDH <sup>1</sup>    | VDD                    | EXTSUPPLY <sup>2</sup>                                      | DCDCEN0 <sup>3</sup> | DCDCEN1 | USB <sup>4</sup> | NFC |
| Config. 1  | N/A                  | Battery/Ext. regulator | N/A   | N/A                  | Yes     | N/A              | No  |

Table 152: Circuit configurations

<sup>1</sup>High Voltage supply mode cannot be used because the VDDH pin is not routed in the QFN48 package.

<sup>2</sup>The external supply feature cannot be used because the VDDH pin is not routed in the QFN48 package.

<sup>3</sup>DCDC for REG0 stage cannot be used because the VDDH pin is not routed in the QFN48 package.

<sup>4</sup>USBD cannot be used because the USB pins are not routed in the QFN48 package.

## Circuit configurations for CKAA WLCSP

| Config no. | Supply configuration   |                        | Features that can be enabled for each configuration example |         |         |     |     |
|------------|------------------------|------------------------|---|---------|---------|-----|-----|
|            | VDDH                   | VDD                    | EXTSUPPLY   | DCDCEN0 | DCDCEN1 | USB | NFC |
| Config. 1  | USB (VDDH = VBUS)      | N/A                    | Yes   | No      | No      | Yes | No  |
| Config. 2  | Battery/Ext. regulator | N/A                    | Yes   | No      | No      | Yes | No  |
| Config. 3  | N/A                    | Battery/Ext. regulator | No  | No      | No      | Yes | No  |
| Config. 4  | Battery/Ext. regulator | N/A                    | Yes   | Yes     | Yes     | Yes | No  |
| Config. 5  | N/A                    | Battery/Ext. regulator | No  | No      | Yes     | Yes | Yes |
| Config. 6  | N/A                    | Battery/Ext. regulator | No  | No      | No      | No  | No  |

Table 153: Circuit configurations

### 7.3.1 Circuit configuration no. 1 for QIAA aQFN73

Circuit configuration number 1 for QIAA aQFN™ 73, showing the schematic and the bill of materials.

| Config no. | Supply configuration |     | Enabled features |         |         |     |     |
|------------|----------------------|-----|------------------|---------|---------|-----|-----|
|            | VDDH                 | VDD | EXTSUPPLY        | DCDCEN0 | DCDCEN1 | USB | NFC |
| Config. 1  | USB (VDDH = VBUS)    | N/A | Yes              | No      | No      | Yes | No  |

Table 154: Configuration summary for circuit configuration no. 1

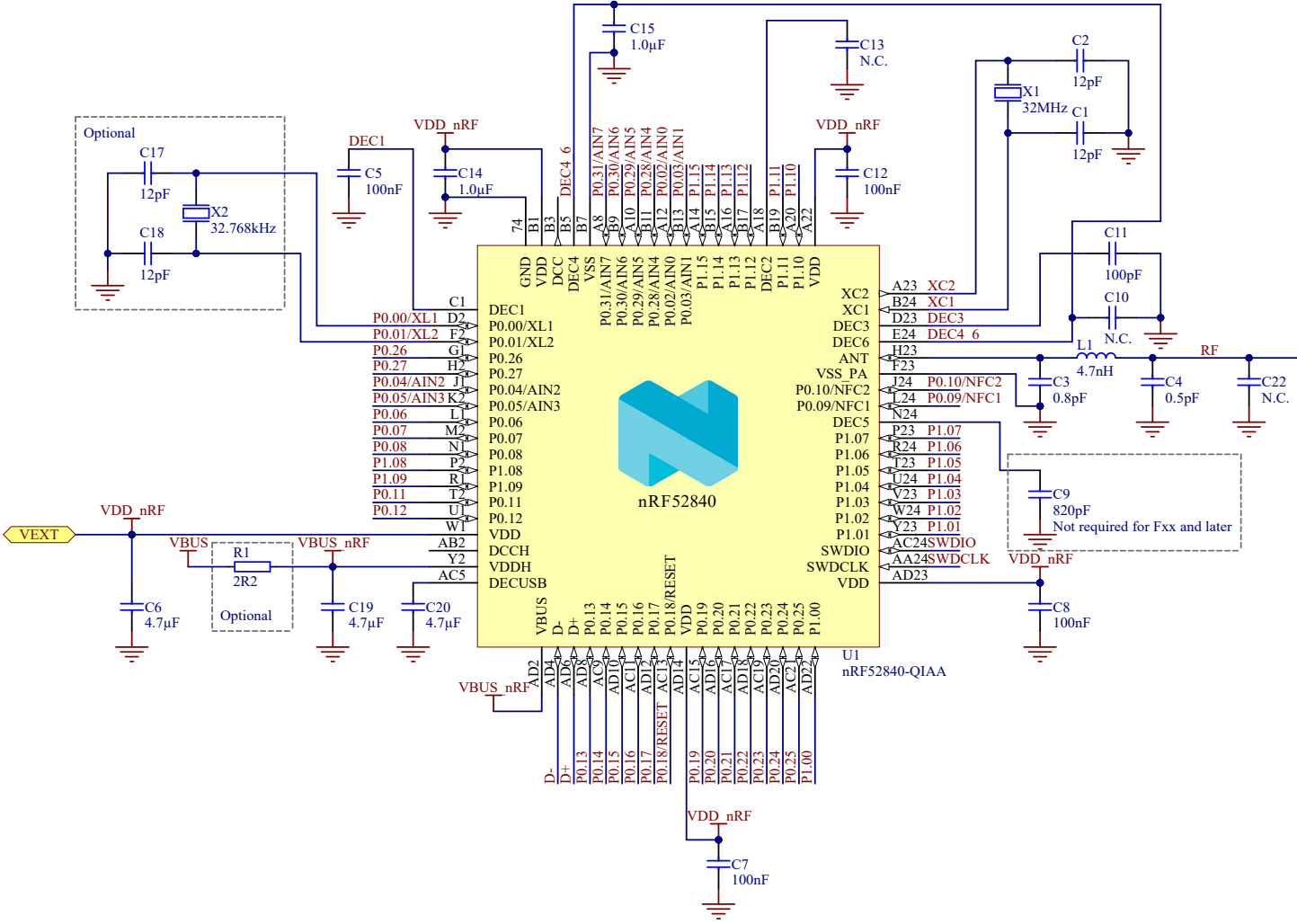


Figure 213: Circuit configuration no. 1 schematic

**Note:** For PCB reference layouts, see the product page for the nRF52840 on [www.nordicsemi.com](http://www.nordicsemi.com).

| Designator       | Value v1.0    | Value v1.1 | Description  | Footprint |
|------------------|---------------|------------|--|-----------|
| C1, C2, C17, C18 | 12 pF         |            | Capacitor, NP0, $\pm 2\%$  | 0402      |
| C3               | 1 pF          | 0.8 pF     | Capacitor, NP0, $\pm 10\%$   | 0402      |
| C4               | 1 pF          | 0.5 pF     | Capacitor, NP0, $\pm 10\%$   | 0402      |
| C5, C7, C8, C12  | 100 nF        |            | Capacitor, X7R, $\pm 10\%$   | 0402      |
| C6, C20          | 4.7 $\mu$ F   |            | Capacitor, X7R, $\pm 10\%$   | 0603      |
| C9               | 820 pF        |            | Capacitor, NP0, $\pm 5\%$<br>Not required for Fxx and later  | 0402      |
| C10, C13, C22    | N.C.          |            | Not mounted  | 0402      |
| C11              | 100 pF        |            | Capacitor, NP0, $\pm 5\%$  | 0402      |
| C14, C15         | 1.0 $\mu$ F   |            | Capacitor, X7R, $\pm 10\%$   | 0603      |
| C19              | 4.7 $\mu$ F   |            | Capacitor, X7S, $\pm 10\%$   | 0603      |
| L1               | 3.9 nH        | 4.7 nH     | High frequency chip inductor $\pm 5\%$   | 0402      |
| R1               | 2R2           |            | Resistor $\pm 1\%$ , 0.063W  | 0402      |
| U1               | nRF52840-QIAA |            | Multiprotocol <i>Bluetooth</i> <sup>®</sup> low energy, IEEE 802.15.4, ANT, and 2.4 GHz proprietary System on Chip | AQFN-73   |
| X1               | 32 MHz        |            | XTAL SMD 2016, 32 MHz, Cl=8 pF, Total Tol: $\pm 40$ ppm  | XTAL_2016 |
| X2               | 32.768 kHz    |            | XTAL SMD 3215, 32.768 kHz, Cl=9 pF, Total Tol: $\pm 50$ ppm  | XTAL_3215 |

Table 155: Bill of material for circuit configuration no. 1

### 7.3.2 Circuit configuration no. 2 for QIAA aQFN73

Circuit configuration number 2 for QIAA aQFN<sup>™</sup> 73, showing the schematic and the bill of materials.

| Config no. | Supply configuration   |     | Enabled features |         |         |     |     |
|------------|------------------------|-----|------------------|---------|---------|-----|-----|
|            | VDDH                   | VDD | EXTSUPPLY        | DCDCEN0 | DCDCEN1 | USB | NFC |
| Config. 2  | Battery/Ext. regulator | N/A | Yes              | No      | No      | Yes | No  |

Table 156: Configuration summary for circuit configuration no. 2

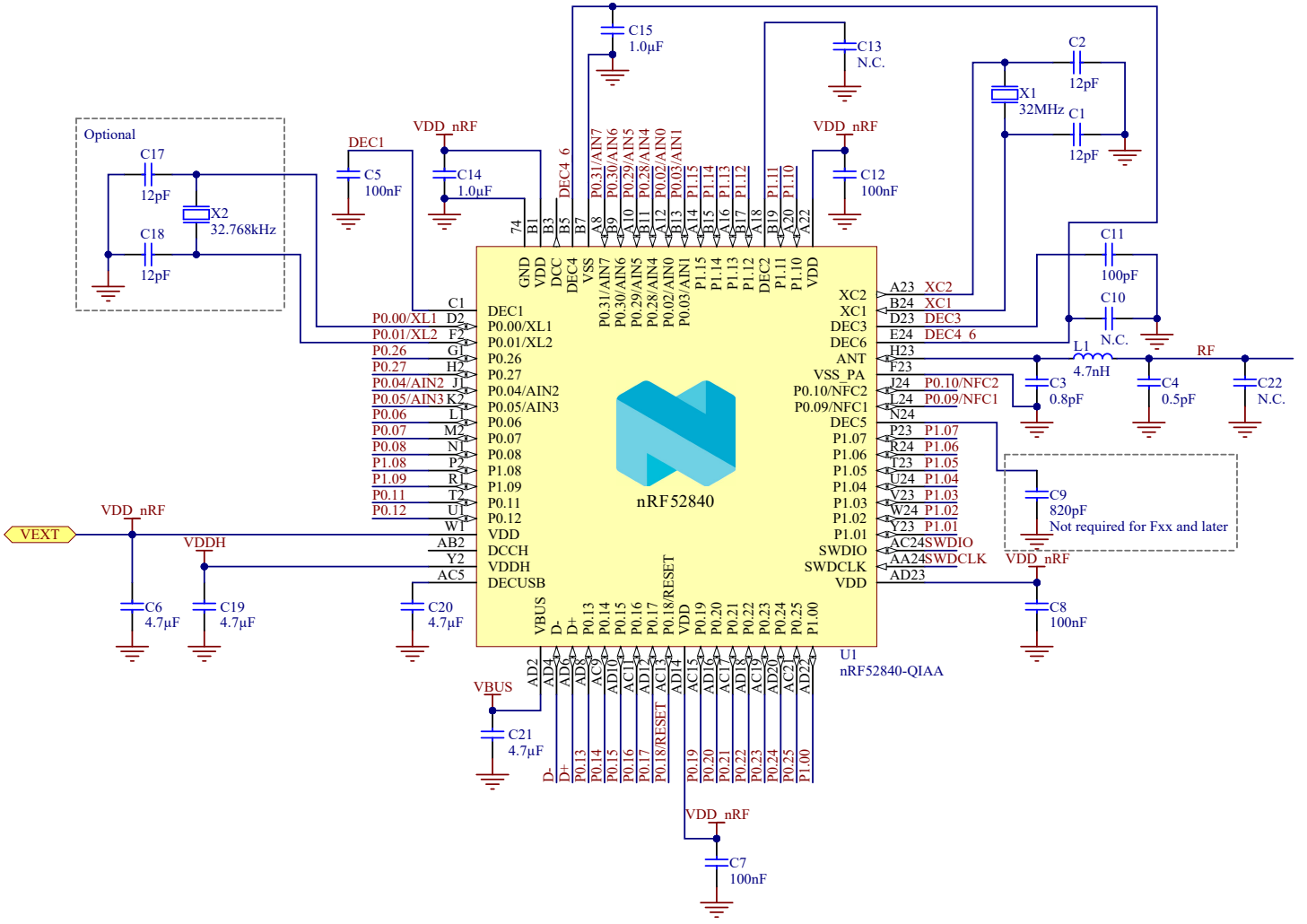


Figure 214: Circuit configuration no. 2 schematic

**Note:** For PCB reference layouts, see the product page for the nRF52840 on [www.nordicsemi.com](http://www.nordicsemi.com).

| Designator       | Value v1.0    | Value v1.1 | Description  | Footprint |
|------------------|---------------|------------|--|-----------|
| C1, C2, C17, C18 | 12 pF         |            | Capacitor, NP0, $\pm 2\%$  | 0402      |
| C3               | 1 pF          | 0.8 pF     | Capacitor, NP0, $\pm 10\%$   | 0402      |
| C4               | 1 pF          | 0.5 pF     | Capacitor, NP0, $\pm 10\%$   | 0402      |
| C5, C7, C8, C12  | 100 nF        |            | Capacitor, X7R, $\pm 10\%$   | 0402      |
| C6, C20          | 4.7 $\mu$ F   |            | Capacitor, X7R, $\pm 10\%$   | 0603      |
| C9               | 820 pF        |            | Capacitor, NP0, $\pm 5\%$<br>Not required for Fxx and later  | 0402      |
| C10, C13, C22    | N.C.          |            | Not mounted  | 0402      |
| C11              | 100 pF        |            | Capacitor, NP0, $\pm 5\%$  | 0402      |
| C14, C15         | 1.0 $\mu$ F   |            | Capacitor, X7R, $\pm 10\%$   | 0603      |
| C19, C21         | 4.7 $\mu$ F   |            | Capacitor, X7S, $\pm 10\%$   | 0603      |
| L1               | 3.9 nH        | 4.7 nH     | High frequency chip inductor $\pm 5\%$   | 0402      |
| U1               | nRF52840-QIAA |            | Multiprotocol <i>Bluetooth</i> <sup>®</sup> low energy, IEEE 802.15.4, ANT, and 2.4 GHz proprietary System on Chip | AQFN-73   |
| X1               | 32 MHz        |            | XTAL SMD 2016, 32 MHz, Cl=8 pF, Total Tol: $\pm 40$ ppm  | XTAL_2016 |
| X2               | 32.768 kHz    |            | XTAL SMD 3215, 32.768 kHz, Cl=9 pF, Total Tol: $\pm 50$ ppm  | XTAL_3215 |

Table 157: Bill of material for circuit configuration no. 2

### 7.3.3 Circuit configuration no. 3 for QIAA aQFN73

Circuit configuration number 3 for QIAA aQFN<sup>™</sup> 73, showing the schematic and the bill of materials.

| Config no. | Supply configuration |                        | Enabled features |         |         |     |     |
|------------|----------------------|------------------------|------------------|---------|---------|-----|-----|
|            | VDDH                 | VDD                    | EXTSUPPLY        | DCDCEN0 | DCDCEN1 | USB | NFC |
| Config. 3  | N/A                  | Battery/Ext. regulator | No               | No      | No      | Yes | No  |

Table 158: Configuration summary for circuit configuration no. 3

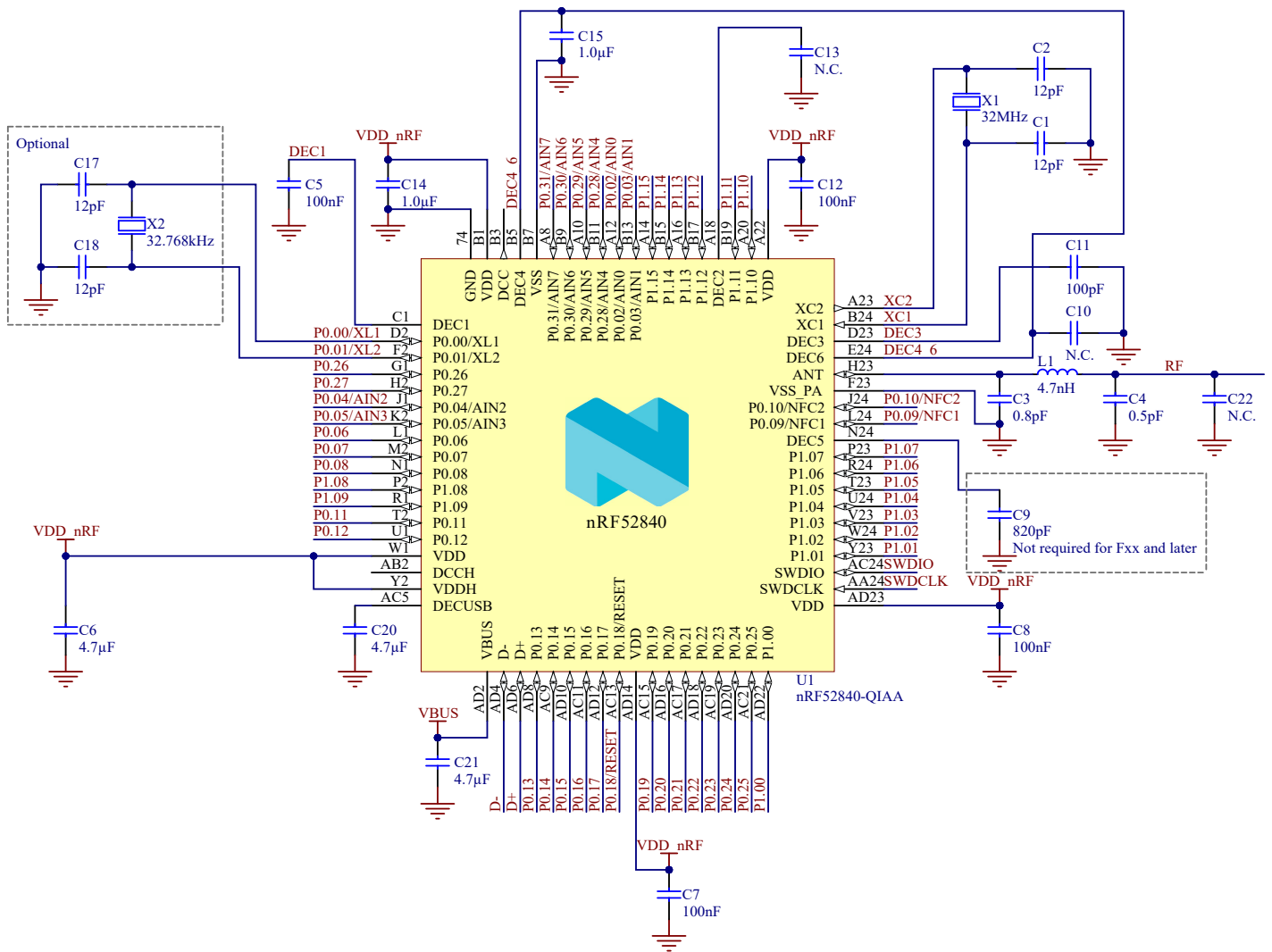


Figure 215: Circuit configuration no. 3 schematic

**Note:** For PCB reference layouts, see the product page for the nRF52840 on [www.nordicsemi.com](http://www.nordicsemi.com).

| Designator       | Value v1.0    | Value v1.1 | Description  | Footprint |
|------------------|---------------|------------|--|-----------|
| C1, C2, C17, C18 | 12 pF         |            | Capacitor, NP0, $\pm 2\%$  | 0402      |
| C3               | 1 pF          | 0.8 pF     | Capacitor, NP0, $\pm 10\%$   | 0402      |
| C4               | 1 pF          | 0.5 pF     | Capacitor, NP0, $\pm 10\%$   | 0402      |
| C5, C7, C8, C12  | 100 nF        |            | Capacitor, X7R, $\pm 10\%$   | 0402      |
| C6, C20          | 4.7 $\mu$ F   |            | Capacitor, X7R, $\pm 10\%$   | 0603      |
| C9               | 820 pF        |            | Capacitor, NP0, $\pm 5\%$<br>Not required for Fxx and later  | 0402      |
| C10, C13, C22    | N.C.          |            | Not mounted  | 0402      |
| C11              | 100 pF        |            | Capacitor, NP0, $\pm 5\%$  | 0402      |
| C14, C15         | 1.0 $\mu$ F   |            | Capacitor, X7R, $\pm 10\%$   | 0603      |
| C21              | 4.7 $\mu$ F   |            | Capacitor, X7S, $\pm 10\%$   | 0603      |
| L1               | 3.9 nH        | 4.7 nH     | High frequency chip inductor $\pm 5\%$   | 0402      |
| U1               | nRF52840-QIAA |            | Multiprotocol <i>Bluetooth</i> <sup>®</sup> low energy, IEEE 802.15.4, ANT, and 2.4 GHz proprietary System on Chip | AQFN-73   |
| X1               | 32 MHz        |            | XTAL SMD 2016, 32 MHz, Cl=8 pF, Total Tol: $\pm 40$ ppm  | XTAL_2016 |
| X2               | 32.768 kHz    |            | XTAL SMD 3215, 32.768 kHz, Cl=9 pF, Total Tol: $\pm 50$ ppm  | XTAL_3215 |

Table 159: Bill of material for circuit configuration no. 3

### 7.3.4 Circuit configuration no. 4 for QIAA aQFN73

Circuit configuration number 4 for QIAA aQFN<sup>™</sup> 73, showing the schematic and the bill of materials.

| Config no. | Supply configuration   |     | Enabled features |         |         |     |     |
|------------|------------------------|-----|------------------|---------|---------|-----|-----|
|            | VDDH                   | VDD | EXTSUPPLY        | DCDCEN0 | DCDCEN1 | USB | NFC |
| Config. 4  | Battery/Ext. regulator | N/A | Yes              | Yes     | Yes     | Yes | No  |

Table 160: Configuration summary for circuit configuration no. 4



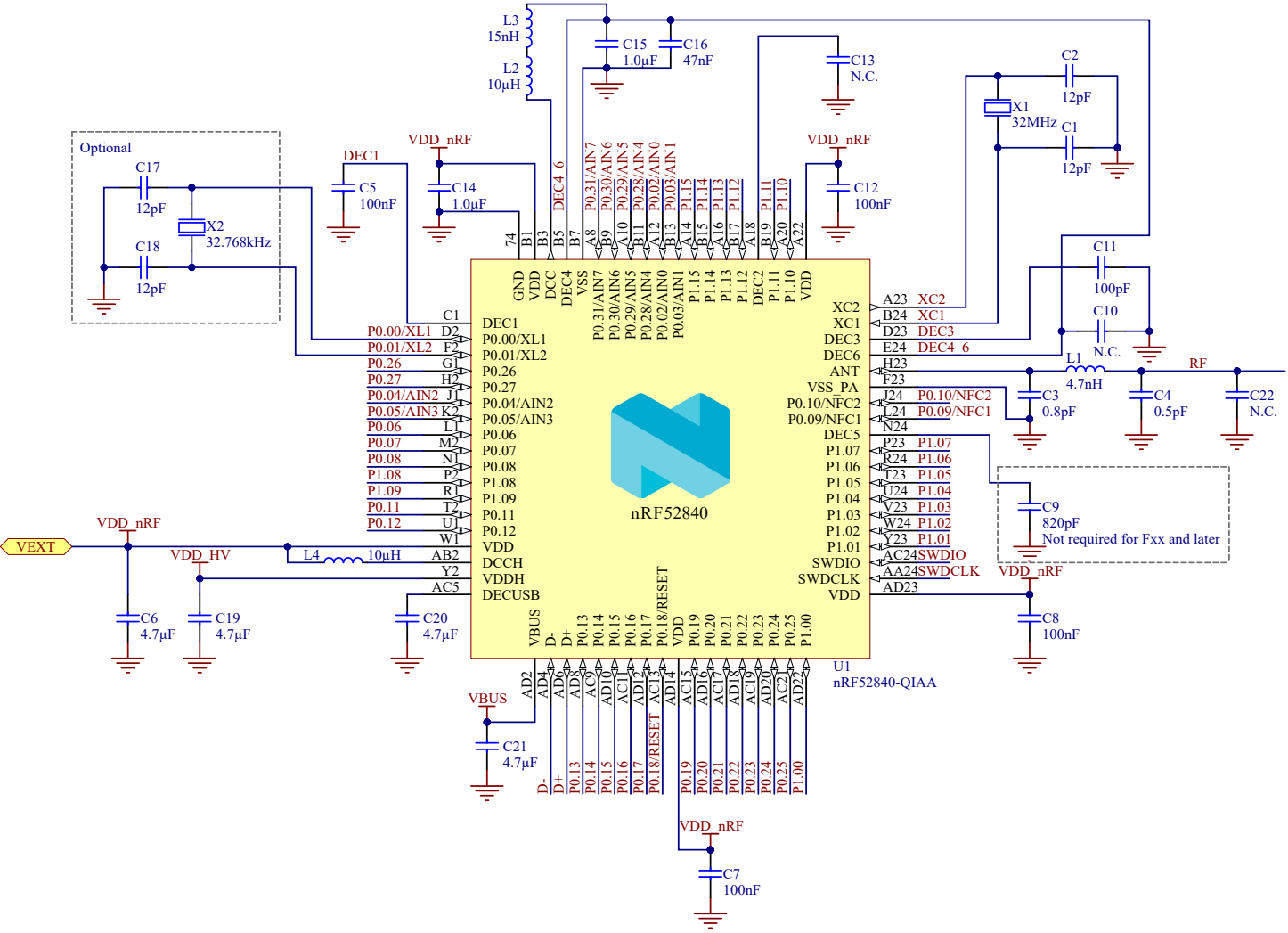


Figure 216: Circuit configuration no. 4 schematic for QIAA aQFN™ 73

**Note:** For PCB reference layouts, see the product page for the nRF52840 on [www.nordicsemi.com](http://www.nordicsemi.com).

| Designator       | Value v1.0    | Value v1.1 | Description  | Footprint |
|------------------|---------------|------------|--|-----------|
| C1, C2, C17, C18 | 12 pF         |            | Capacitor, NP0, $\pm 2\%$  | 0402      |
| C3               | 1 pF          | 0.8 pF     | Capacitor, NP0, $\pm 10\%$   | 0402      |
| C4               | 1 pF          | 0.5 pF     | Capacitor, NP0, $\pm 10\%$   | 0402      |
| C5, C7, C8, C12  | 100 nF        |            | Capacitor, X7R, $\pm 10\%$   | 0402      |
| C6, C20          | 4.7 $\mu$ F   |            | Capacitor, X7R, $\pm 10\%$   | 0603      |
| C9               | 820 pF        |            | Capacitor, NP0, $\pm 5\%$<br>Not required for Fxx and later  | 0402      |
| C10, C13, C22    | N.C.          |            | Not mounted  | 0402      |
| C11              | 100 pF        |            | Capacitor, NP0, $\pm 5\%$  | 0402      |
| C14, C15         | 1.0 $\mu$ F   |            | Capacitor, X7R, $\pm 10\%$   | 0603      |
| C16              | 47 nF         |            | Capacitor, X7R, $\pm 10\%$   | 0402      |
| C19, C21         | 4.7 $\mu$ F   |            | Capacitor, X7S, $\pm 10\%$   | 0603      |
| L1               | 3.9 nH        | 4.7 nH     | High frequency chip inductor $\pm 5\%$   | 0402      |
| L2               | 10 $\mu$ H    |            | Chip inductor, IDC, min = 50 mA, $\pm 20\%$  | 0603      |
| L3               | 15 nH         |            | High frequency chip inductor $\pm 10\%$  | 0402      |
| L4               | 10 $\mu$ H    |            | Chip inductor, IDC, min = 80 mA, $\pm 20\%$  | 0603      |
| U1               | nRF52840-QIAA |            | Multiprotocol <i>Bluetooth</i> <sup>®</sup> low energy, IEEE 802.15.4, ANT, and 2.4 GHz proprietary System on Chip | AQFN-73   |
| X1               | 32 MHz        |            | XTAL SMD 2016, 32 MHz, Cl=8 pF, Total Tol: $\pm 40$ ppm  | XTAL_2016 |
| X2               | 32.768 kHz    |            | XTAL SMD 3215, 32.768 kHz, Cl=9 pF, Total Tol: $\pm 50$ ppm  | XTAL_3215 |

Table 161: Bill of material for circuit configuration no. 4

### 7.3.5 Circuit configuration no. 5 for QIAA aQFN73

Circuit configuration number 5 for QIAA aQFN<sup>™</sup> 73, showing the schematic and the bill of materials.

| Config no. | Supply configuration |                        | Enabled features |         |         |     |     |
|------------|----------------------|------------------------|------------------|---------|---------|-----|-----|
|            | VDDH                 | VDD                    | EXTSUPPLY        | DCDCEN0 | DCDCEN1 | USB | NFC |
| Config. 5  | N/A                  | Battery/Ext. regulator | No               | No      | Yes     | Yes | Yes |

Table 162: Configuration summary for circuit configuration no. 5

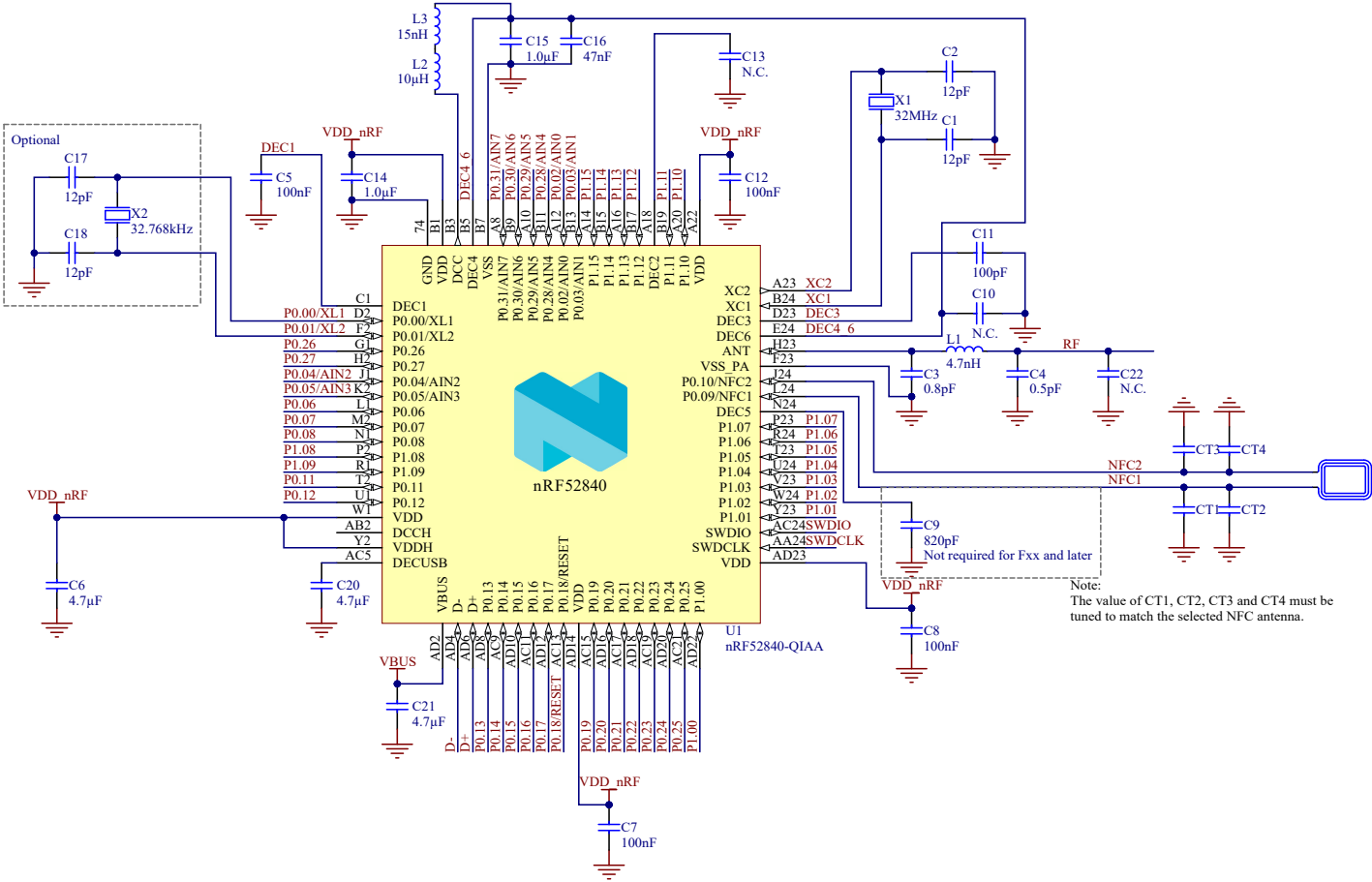


Figure 217: Circuit configuration no. 5 schematic

**Note:** For PCB reference layouts, see the product page for the nRF52840 on [www.nordicsemi.com](http://www.nordicsemi.com).

| Designator         | Value v1.0        | Value v1.1 | Description  | Footprint |
|--------------------|-------------------|------------|--|-----------|
| C1, C2, C17, C18   | 12 pF             |            | Capacitor, NP0, $\pm 2\%$  | 0402      |
| C3                 | 1 pF              | 0.8 pF     | Capacitor, NP0, $\pm 10\%$   | 0402      |
| C4                 | 1 pF              | 0.5 pF     | Capacitor, NP0, $\pm 10\%$   | 0402      |
| C5, C7, C8, C12    | 100 nF            |            | Capacitor, X7R, $\pm 10\%$   | 0402      |
| C6, C20            | 4.7 $\mu$ F       |            | Capacitor, X7R, $\pm 10\%$   | 0603      |
| C9                 | 820 pF            |            | Capacitor, NP0, $\pm 5\%$  | 0402      |
| C10, C13, C22      | N.C.              |            | Not mounted  | 0402      |
| C11                | 100 pF            |            | Capacitor, NP0, $\pm 5\%$  | 0402      |
| C14, C15           | 1.0 $\mu$ F       |            | Capacitor, X7R, $\pm 10\%$   | 0603      |
| C16                | 47 nF             |            | Capacitor, X7R, $\pm 10\%$   | 0402      |
| C21                | 4.7 $\mu$ F       |            | Capacitor, X7S, $\pm 10\%$   | 0603      |
| CT1, CT2, CT3, CT4 | Antenna dependent |            | Capacitor, NP0, $\pm 5\%$  | 0402      |
| L1                 | 3.9 nH            | 4.7 nH     | High frequency chip inductor $\pm 5\%$   | 0402      |
| L2                 | 10 $\mu$ H        |            | Chip inductor, IDC, min = 50 mA, $\pm 20\%$  | 0603      |
| L3                 | 15 nH             |            | High frequency chip inductor $\pm 10\%$  | 0402      |
| U1                 | nRF52840-QIAA     |            | Multiprotocol <i>Bluetooth</i> <sup>®</sup> low energy, IEEE 802.15.4, ANT, and 2.4 GHz proprietary System on Chip | AQFN-73   |
| X1                 | 32 MHz            |            | XTAL SMD 2016, 32 MHz, Cl=8 pF, Total Tol: $\pm 40$ ppm  | XTAL_2016 |
| X2                 | 32.768 kHz        |            | XTAL 3215, 32.768 kHz, Cl=9 pF, Total Tol: $\pm 50$ ppm  | XTAL_3215 |

Table 163: Bill of material for circuit configuration no. 5

### 7.3.6 Circuit configuration no. 6 for QIAA aQFN73

Circuit configuration number 6 for QIAA aQFN<sup>™</sup> 73, showing the schematic and the bill of materials.

| Config no. | Supply configuration |                        | Enabled features |         |         |     |     |
|------------|----------------------|------------------------|------------------|---------|---------|-----|-----|
|            | VDDH                 | VDD                    | EXTSUPPLY        | DCDCEN0 | DCDCEN1 | USB | NFC |
| Config. 6  | N/A                  | Battery/Ext. regulator | No               | No      | No      | No  | No  |

Table 164: Configuration summary for circuit configuration no. 6

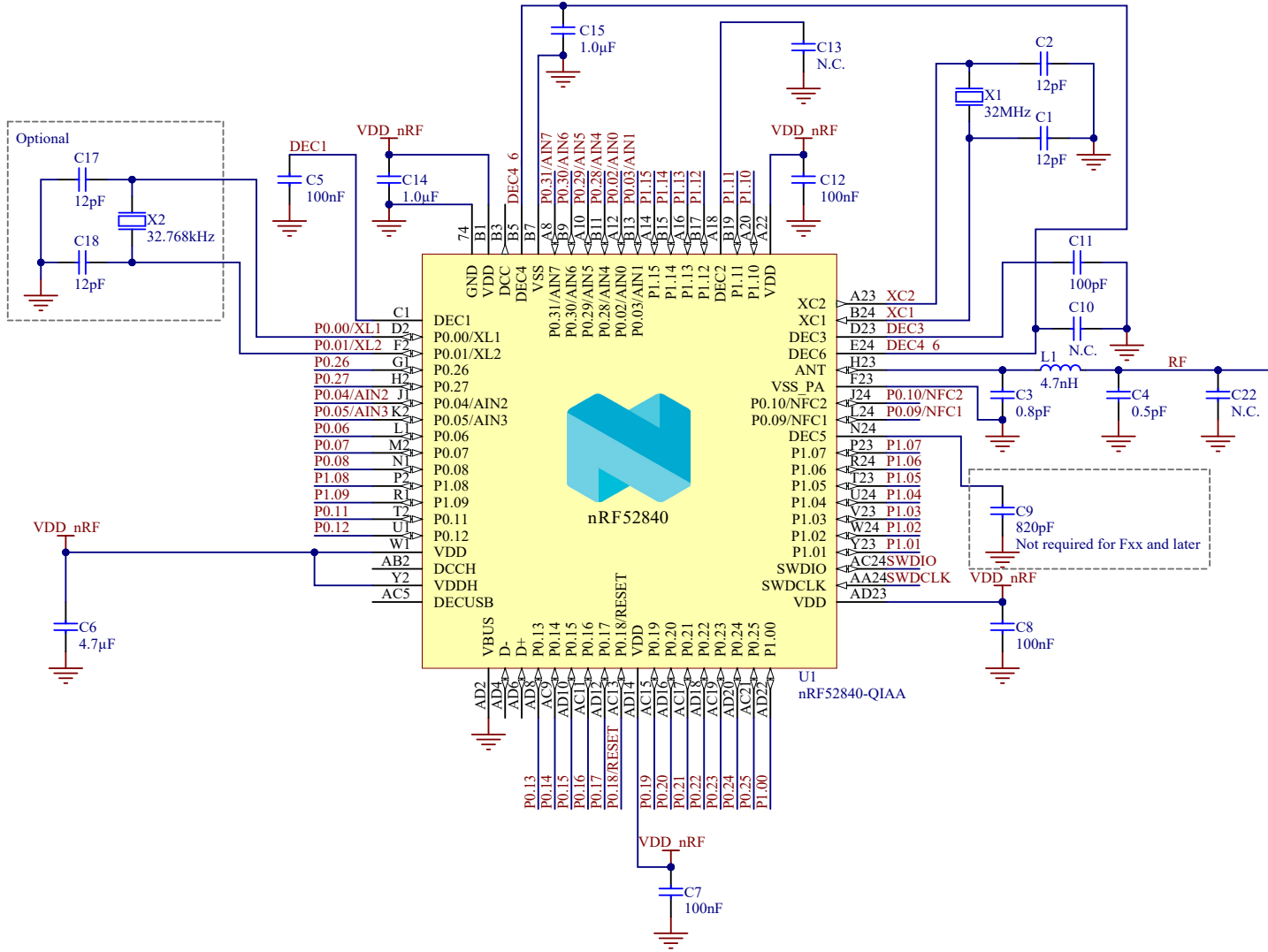


Figure 218: Circuit configuration no. 6 schematic

**Note:** For PCB reference layouts, see the product page for the nRF52840 on [www.nordicsemi.com](http://www.nordicsemi.com).

| Designator       | Value v1.0    | Value v1.1 | Description  | Footprint |
|------------------|---------------|------------|--|-----------|
| C1, C2, C17, C18 | 12 pF         |            | Capacitor, NP0, $\pm 2\%$  | 0402      |
| C3               | 1 pF          | 0.8 pF     | Capacitor, NP0, $\pm 10\%$   | 0402      |
| C4               | 1 pF          | 0.5 pF     | Capacitor, NP0, $\pm 10\%$   | 0402      |
| C5, C7, C8, C12  | 100 nF        |            | Capacitor, X7R, $\pm 10\%$   | 0402      |
| C6               | 4.7 $\mu$ F   |            | Capacitor, X7R, $\pm 10\%$   | 0603      |
| C9               | 820 pF        |            | Capacitor, NP0, $\pm 5\%$<br>Not required for Fxx and later  | 0402      |
| C10, C13, C22    | N.C.          |            | Not mounted  | 0402      |
| C11              | 100 pF        |            | Capacitor, NP0, $\pm 5\%$  | 0402      |
| C14, C15         | 1.0 $\mu$ F   |            | Capacitor, X7R, $\pm 10\%$   | 0603      |
| L1               | 3.9 nH        | 4.7 nH     | High frequency chip inductor $\pm 5\%$   | 0402      |
| U1               | nRF52840-QIAA |            | Multiprotocol <i>Bluetooth</i> <sup>®</sup> low energy, IEEE 802.15.4, ANT, and 2.4 GHz proprietary System on Chip | AQFN-73   |
| X1               | 32 MHz        |            | XTAL SMD 2016, 32 MHz, Cl=8 pF, Total Tol: $\pm 40$ ppm  | XTAL_2016 |
| X2               | 32.768 kHz    |            | XTAL SMD 3215, 32.768 kHz, Cl=9 pF, Total Tol: $\pm 50$ ppm  | XTAL_3215 |

Table 165: Bill of material for circuit configuration no. 6

### 7.3.7 Circuit configuration no. 7 for QIAA aQFN73

Circuit configuration number 7 for QIAA aQFN<sup>™</sup> 73, showing the schematic and the bill of materials.

This circuit configuration includes a four-component RF match for improved harmonic suppression when using RADIO with TXPOWER  $\geq 5$  dBm.

| Config no. | Supply configuration   |     | Enabled features |         |         |     |     |
|------------|------------------------|-----|------------------|---------|---------|-----|-----|
|            | VDDH                   | VDD | EXTSUPPLY        | DCDCEN0 | DCDCEN1 | USB | NFC |
| Config. 7  | Battery/Ext. regulator | N/A | Yes              | Yes     | Yes     | Yes | No  |

Table 166: Configuration summary for circuit configuration no. 7

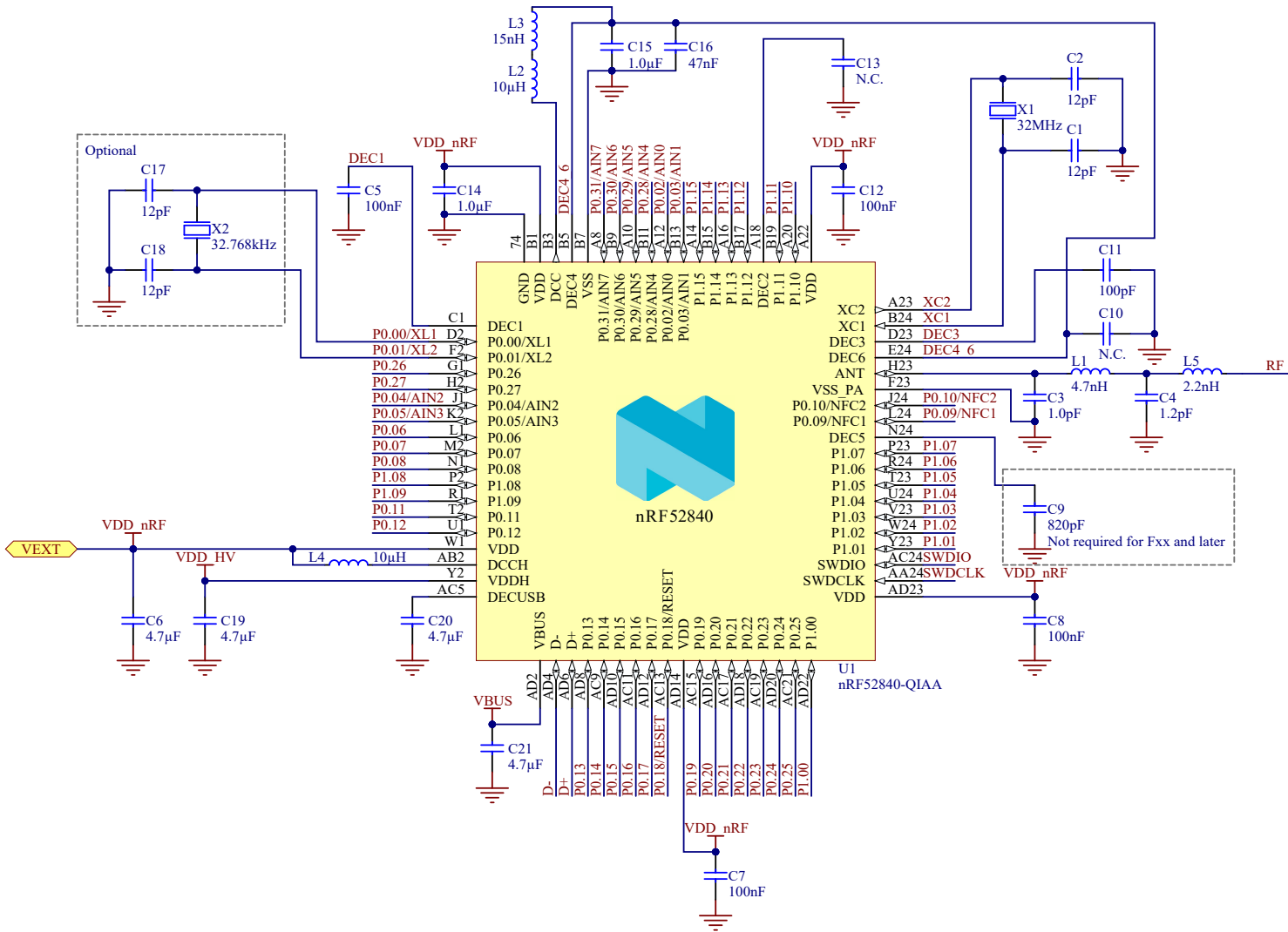


Figure 219: Circuit configuration no. 7 schematic for QIAA aQFN™ 73

**Note:** For PCB reference layouts, see the product page for the nRF52840 on [www.nordicsemi.com](http://www.nordicsemi.com).

| Designator       | Value         | Description  | Footprint |
|------------------|---------------|--|-----------|
| C1, C2, C17, C18 | 12 pF         | Capacitor, NPO, $\pm 2\%$  | 0402      |
| C3               | 1 pF          | Capacitor, NPO, $\pm 5\%$  | 0402      |
| C4               | 1.2 pF        | Capacitor, NPO, $\pm 5\%$  | 0402      |
| C5, C7, C8, C12  | 100 nF        | Capacitor, X7R, $\pm 10\%$   | 0402      |
| C6, C20          | 4.7 $\mu$ F   | Capacitor, X7R, $\pm 10\%$   | 0603      |
| C9               | 820 pF        | Capacitor, NPO, $\pm 5\%$<br>Not required for Fxx and later  | 0402      |
| C10, C13         | N.C.          | Not mounted  | 0402      |
| C11              | 100 pF        | Capacitor, NPO, $\pm 5\%$  | 0402      |
| C14, C15         | 1.0 $\mu$ F   | Capacitor, X7R, $\pm 10\%$   | 0603      |
| C16              | 47 nF         | Capacitor, X7R, $\pm 10\%$   | 0402      |
| C19, C21         | 4.7 $\mu$ F   | Capacitor, X7S, $\pm 10\%$   | 0603      |
| L1               | 4.7 nH        | High frequency chip inductor $\pm 5\%$   | 0402      |
| L2               | 10 $\mu$ H    | Chip inductor, IDC, min = 50 mA, $\pm 20\%$  | 0603      |
| L3               | 15 nH         | High frequency chip inductor $\pm 10\%$  | 0402      |
| L4               | 10 $\mu$ H    | Chip inductor, IDC, min = 80 mA, $\pm 20\%$  | 0603      |
| L5               | 2.2 nH        | High frequency chip inductor $\pm 5\%$   | 0402      |
| U1               | nRF52840-QIAA | Multiprotocol <i>Bluetooth</i> <sup>®</sup> low energy, IEEE 802.15.4, ANT, and 2.4 GHz proprietary System on Chip | AQFN-73   |
| X1               | 32 MHz        | XTAL SMD 2016, 32 MHz, Cl=8 pF, Total Tol: $\pm 40$ ppm  | XTAL_2016 |
| X2               | 32.768 kHz    | XTAL SMD 3215, 32.768 kHz, Cl=9 pF, Total Tol: $\pm 50$ ppm  | XTAL_3215 |

Table 167: Bill of material for circuit configuration no. 7

### 7.3.8 Circuit configuration no. 1 for QFAA QFN48

Circuit configuration number 1 for QFAA QFN48, showing the schematic and the bill of materials.

| Config no. | Supply configuration |                        | Enabled features |         |         |     |     |
|------------|----------------------|------------------------|------------------|---------|---------|-----|-----|
|            | VDDH                 | VDD                    | EXTSUPPLY        | DCDCEN0 | DCDCEN1 | USB | NFC |
| Config. 1  | N/A                  | Battery/Ext. regulator | N/A              | N/A     | Yes     | N/A | No  |

Table 168: Configuration summary for circuit configuration no. 1



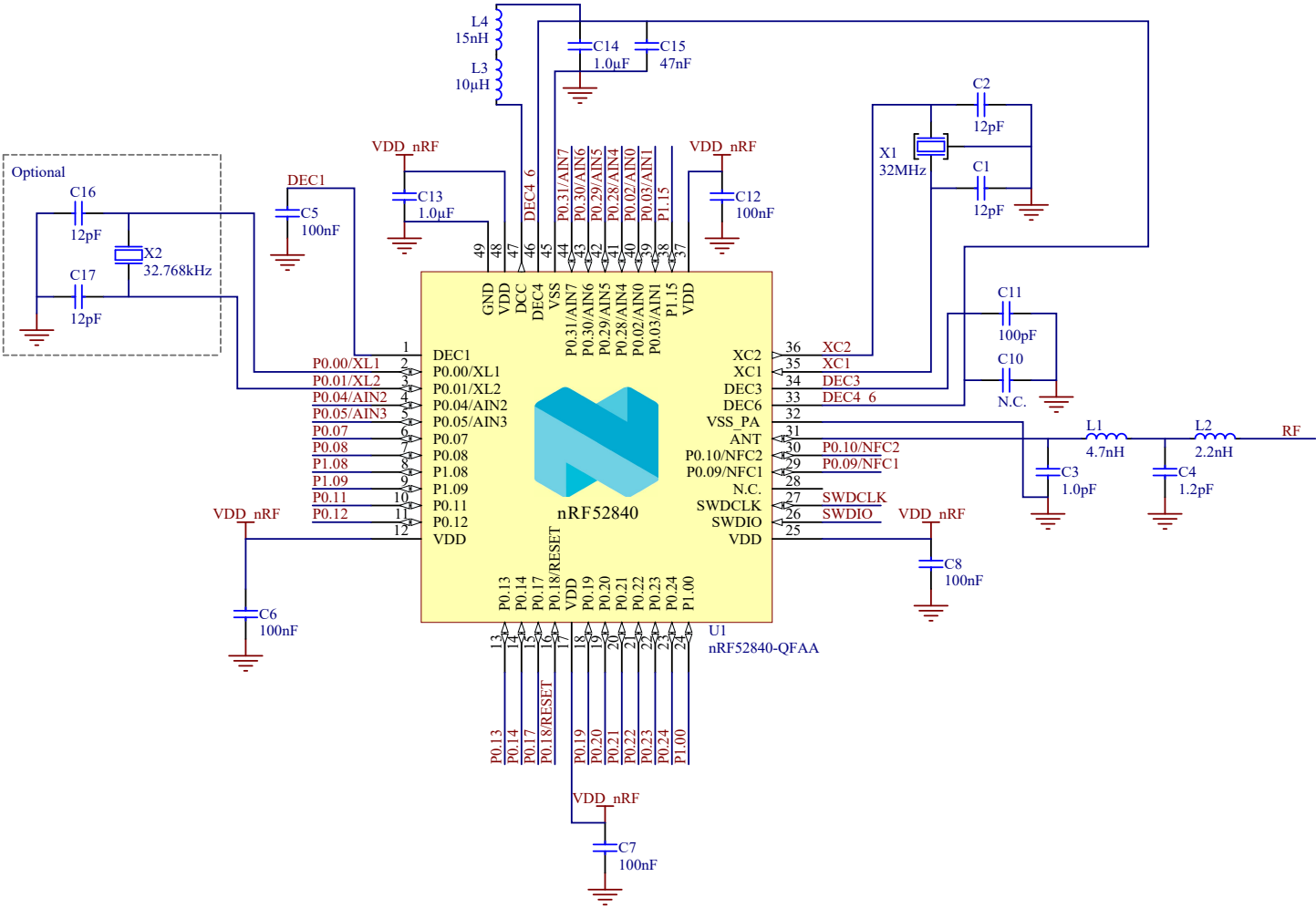


Figure 220: Circuit configuration no. 1 schematic

**Note:** For PCB reference layouts, see the product page for the nRF52840 on [www.nordicsemi.com](http://www.nordicsemi.com).

| Designator          | Value         | Description  | Footprint |
|---------------------|---------------|--|-----------|
| C1, C2, C16, C17    | 12 pF         | Capacitor, NP0, $\pm 2\%$  | 0201      |
| C3                  | 1.0 pF        | Capacitor, NP0, $\pm 10\%$   | 0201      |
| C4                  | 1.2 pF        | Capacitor, NP0, $\pm 10\%$   | 0201      |
| C5, C6, C7, C8, C12 | 100 nF        | Capacitor, X5R, $\pm 10\%$   | 0201      |
| C10                 | N.C.          | Not mounted  | 0201      |
| C11                 | 100 pF        | Capacitor, NP0, $\pm 5\%$  | 0201      |
| C13, C14            | 1.0 $\mu$ F   | Capacitor, X5R, $\pm 10\%$   | 0402      |
| C15                 | 47 nF         | Capacitor, X5R, $\pm 10\%$   | 0201      |
| L1                  | 4.7 nH        | High frequency chip inductor $\pm 5\%$   | 0201      |
| L2                  | 2.2 nH        | High frequency chip inductor $\pm 5\%$   | 0201      |
| L3                  | 10 $\mu$ H    | Chip inductor, IDC, min = 50 mA, $\pm 20\%$  | 0603      |
| L4                  | 15 nH         | High frequency chip inductor $\pm 10\%$  | 0402      |
| U1                  | nRF52840-QFAA | Multiprotocol <i>Bluetooth</i> <sup>®</sup> low energy, IEEE 802.15.4, ANT, and 2.4 GHz proprietary System on Chip | QFN48     |
| X1                  | 32 MHz        | XTAL SMD 2016, 32 MHz, Cl=8 pF, Total Tol: $\pm 30$ ppm  | XTAL_2016 |
| X2                  | 32.768 kHz    | XTAL SMD 2012, 32.768 kHz, Cl=9 pF, Total Tol: $\pm 50$ ppm  | XTAL_2012 |

Table 169: Bill of material for circuit configuration no. 1

### 7.3.9 Circuit configuration no. 1 for CKAA WLCSP

Circuit configuration number 1 for CKAA WLCSP, showing the schematic and the bill of materials.

| Config no. | Supply configuration |     | Enabled features |         |         |     |     |
|------------|----------------------|-----|------------------|---------|---------|-----|-----|
|            | VDDH                 | VDD | EXTSUPPLY        | DCDCEN0 | DCDCEN1 | USB | NFC |
| Config. 1  | USB (VDDH = VBUS)    | N/A | Yes              | No      | No      | Yes | No  |

Table 170: Configuration summary for circuit configuration no. 1

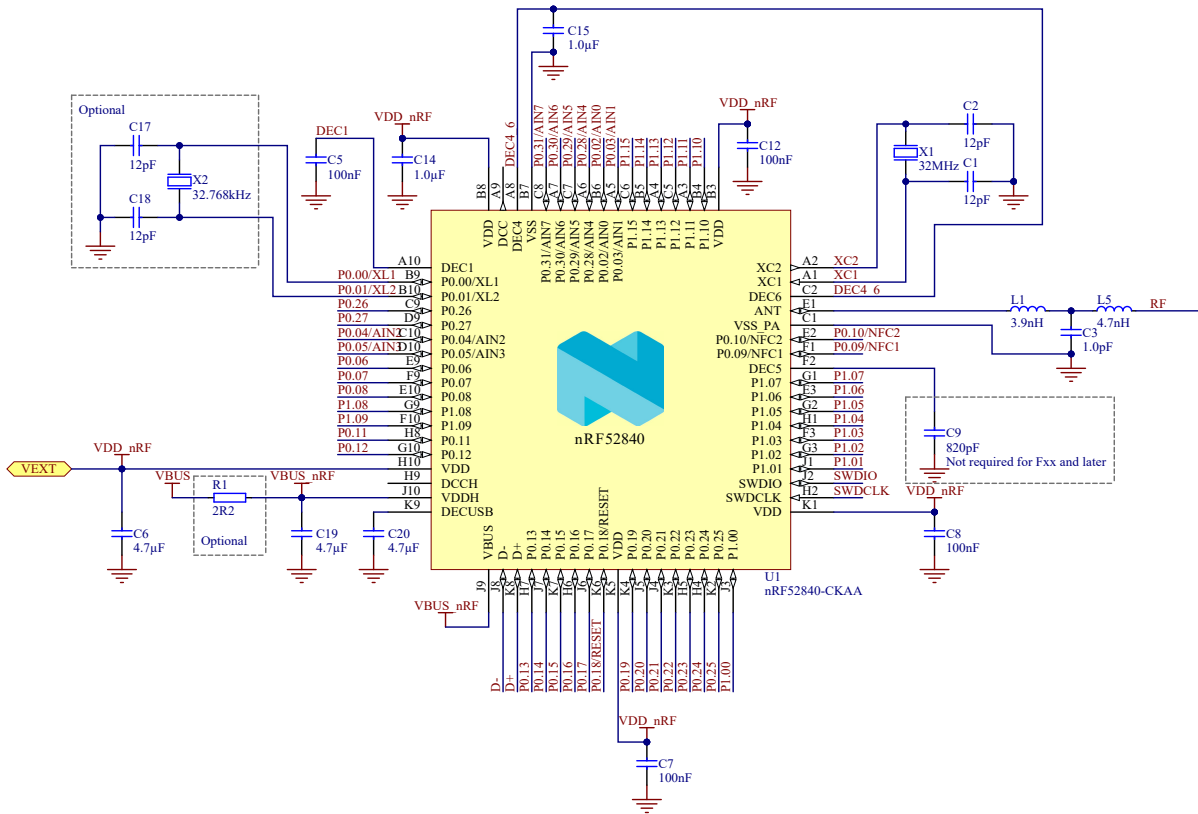


Figure 221: Circuit configuration no. 1 schematic for CKAA WLCSP

**Note:** For PCB reference layouts, see the product page for the nRF52840 on [www.nordicsemi.com](http://www.nordicsemi.com).

| Designator       | Value         | Description  | Footprint |
|------------------|---------------|--|-----------|
| C1, C2, C17, C18 | 12 pF         | Capacitor, NPO, ±2%  | 0201      |
| C3               | 1.0 pF        | Capacitor, NPO, ±5%  | 0201      |
| C5, C7, C8, C12  | 100 nF        | Capacitor, X7R, ±10%   | 0201      |
| C6, C20          | 4.7 µF        | Capacitor, X7R, ±10%   | 0603      |
| C9               | 820 pF        | Capacitor, X7R, ±10%<br>Not required for Fxx and later   | 0201      |
| C14, C15         | 1.0 µF        | Capacitor, X7R, ±10%   | 0603      |
| C19              | 4.7 µF        | Capacitor, X7S, ±10%   | 0603      |
| L1               | 3.9 nH        | High frequency chip inductor ±5%   | 0201      |
| L5               | 4.7 nH        | High frequency chip inductor ±5%   | 0201      |
| R1               | 2R2           | Resistor, ±1%, 0.05W   | 0201      |
| U1               | nRF52840-CKAA | Multiprotocol <i>Bluetooth</i> <sup>®</sup> low energy, IEEE 802.15.4, ANT, and 2.4 GHz proprietary System on Chip | WLCSP-94  |
| X1               | 32 MHz        | XTAL SMD 2016, 32 MHz, Cl=8 pF, Total Tol: ±40 ppm   | XTAL_2016 |
| X2               | 32.768 kHz    | XTAL SMD 2012, 32.768 kHz, Cl=9 pF, Total Tol: ±50 ppm   | XTAL_2012 |

Table 171: Bill of material for circuit configuration no. 1

### 7.3.10 Circuit configuration no. 2 for CKAA WLCSP

Circuit configuration number 2 for CKAA WLCSP, showing the schematic and the bill of materials.

| Config no. | Supply configuration   |     | Enabled features |         |         |     |     |
|------------|------------------------|-----|------------------|---------|---------|-----|-----|
|            | VDDH                   | VDD | EXTSUPPLY        | DCDCEN0 | DCDCEN1 | USB | NFC |
| Config. 2  | Battery/Ext. regulator | N/A | Yes              | No      | No      | Yes | No  |

Table 172: Configuration summary for circuit configuration no. 2

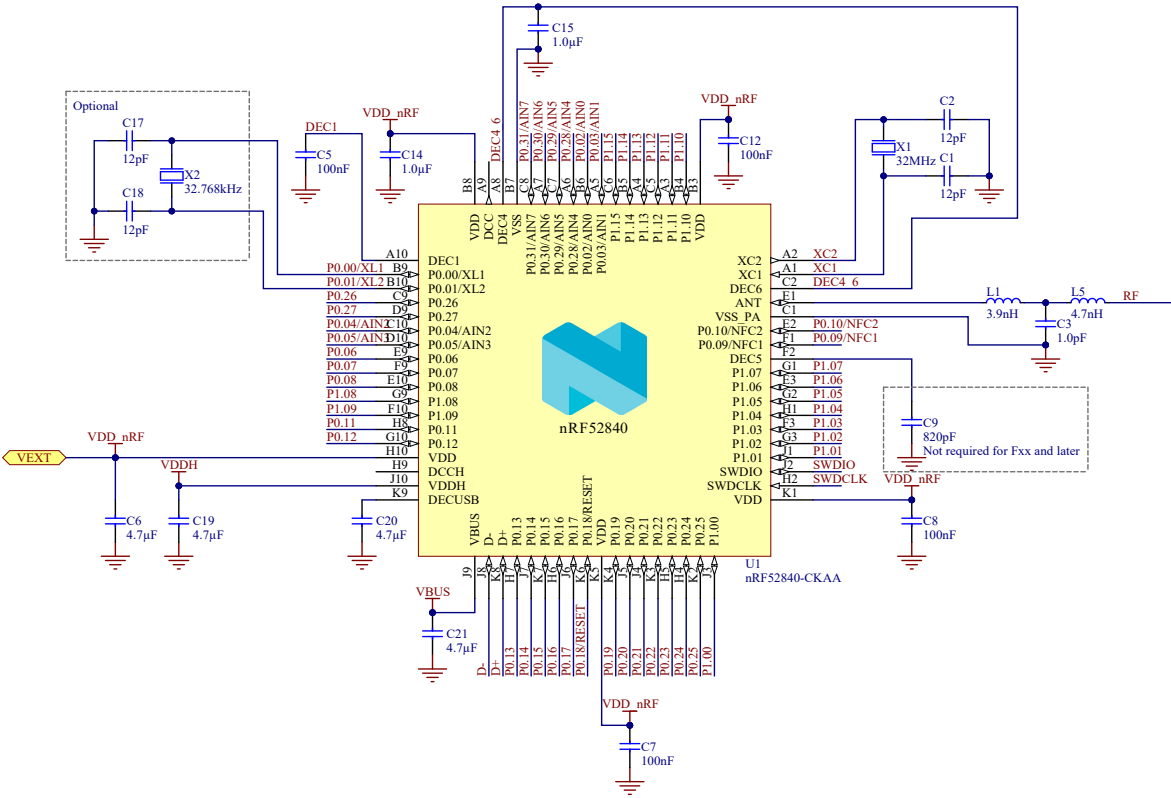


Figure 222: Circuit configuration no. 2 schematic for CKAA WLCSF

**Note:** For PCB reference layouts, see the product page for the nRF52840 on [www.nordicsemi.com](http://www.nordicsemi.com).

| Designator       | Value         | Description  | Footprint |
|------------------|---------------|--|-----------|
| C1, C2, C17, C18 | 12 pF         | Capacitor, NP0, ±2%  | 0201      |
| C3               | 1.0 pF        | Capacitor, NP0, ±5%  | 0201      |
| C5, C7, C8, C12  | 100 nF        | Capacitor, X7R, ±10%   | 0201      |
| C6, C20          | 4.7 µF        | Capacitor, X7R, ±10%   | 0603      |
| C9               | 820 pF        | Capacitor, X7R, ±10%<br>Not required for Fxx and later   | 0201      |
| C14, C15         | 1.0 µF        | Capacitor, X7R, ±10%   | 0603      |
| C19, C21         | 4.7 µF        | Capacitor, X7S, ±10%   | 0603      |
| L1               | 3.9 nH        | High frequency chip inductor ±5%   | 0201      |
| L5               | 4.7 nH        | High frequency chip inductor ±5%   | 0201      |
| U1               | nRF52840-CKAA | Multiprotocol <i>Bluetooth</i> <sup>®</sup> low energy, IEEE 802.15.4, ANT, and 2.4 GHz proprietary System on Chip | WLCSP-94  |
| X1               | 32 MHz        | XTAL SMD 2016, 32 MHz, Cl=8 pF, Total Tol: ±40 ppm   | XTAL_2016 |
| X2               | 32.768 kHz    | XTAL SMD 2012, 32.768 kHz, Cl=9 pF, Total Tol: ±50 ppm   | XTAL_2012 |

Table 173: Bill of material for circuit configuration no. 2

### 7.3.11 Circuit configuration no. 3 for CKAA WLCSP

Circuit configuration number 3 for CKAA WLCSP, showing the schematic and the bill of materials.

| Config no. | Supply configuration |                        | Enabled features |         |         |     |     |
|------------|----------------------|------------------------|------------------|---------|---------|-----|-----|
|            | VDDH                 | VDD                    | EXTSUPPLY        | DCDCEN0 | DCDCEN1 | USB | NFC |
| Config. 3  | N/A                  | Battery/Ext. regulator | No               | No      | No      | Yes | No  |

Table 174: Configuration summary for circuit configuration no. 3

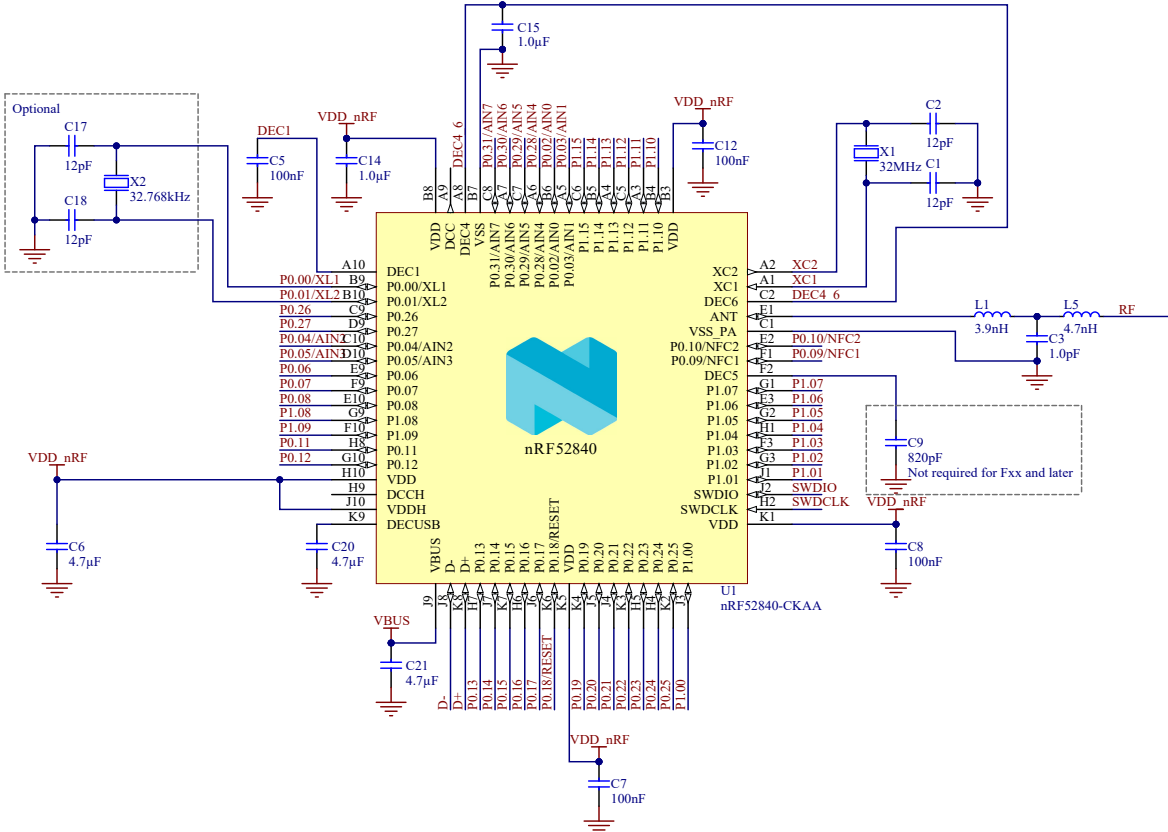


Figure 223: Circuit configuration no. 3 schematic for CKAA WLCSF

**Note:** For PCB reference layouts, see the product page for the nRF52840 on [www.nordicsemi.com](http://www.nordicsemi.com).

| Designator       | Value         | Description  | Footprint |
|------------------|---------------|--|-----------|
| C1, C2, C17, C18 | 12 pF         | Capacitor, NP0, ±2%  | 0201      |
| C3               | 1.0 pF        | Capacitor, NP0, ±5%  | 0201      |
| C5, C7, C8, C12  | 100 nF        | Capacitor, X7R, ±10%   | 0201      |
| C6, C20          | 4.7 µF        | Capacitor, X7R, ±10%   | 0603      |
| C9               | 820 pF        | Capacitor, X7R, ±10%<br>Not required for Fxx and later   | 0201      |
| C14, C15         | 1.0 µF        | Capacitor, X7R, ±10%   | 0603      |
| C21              | 4.7 µF        | Capacitor, X7S, ±10%   | 0603      |
| L1               | 3.9 nH        | High frequency chip inductor ±5%   | 0201      |
| L5               | 4.7 nH        | High frequency chip inductor ±5%   | 0201      |
| U1               | nRF52840-CKAA | Multiprotocol <i>Bluetooth</i> <sup>®</sup> low energy, IEEE 802.15.4, ANT, and 2.4 GHz proprietary System on Chip | WLCSP-94  |
| X1               | 32 MHz        | XTAL SMD 2016, 32 MHz, Cl=8 pF, Total Tol: ±40 ppm   | XTAL_2016 |
| X2               | 32.768 kHz    | XTAL SMD 2012, 32.768 kHz, Cl=9 pF, Total Tol: ±50 ppm   | XTAL_2012 |

Table 175: Bill of material for circuit configuration no. 3

### 7.3.12 Circuit configuration no. 4 for CKAA WLCSP

Circuit configuration number 4 for CKAA WLCSP, showing the schematic and the bill of materials.

| Config no. | Supply configuration   |     | Enabled features |         |         |     |     |
|------------|------------------------|-----|------------------|---------|---------|-----|-----|
|            | VDDH                   | VDD | EXTSUPPLY        | DCDCEN0 | DCDCEN1 | USB | NFC |
| Config. 4  | Battery/Ext. regulator | N/A | Yes              | Yes     | Yes     | Yes | No  |

Table 176: Configuration summary for circuit configuration no. 4



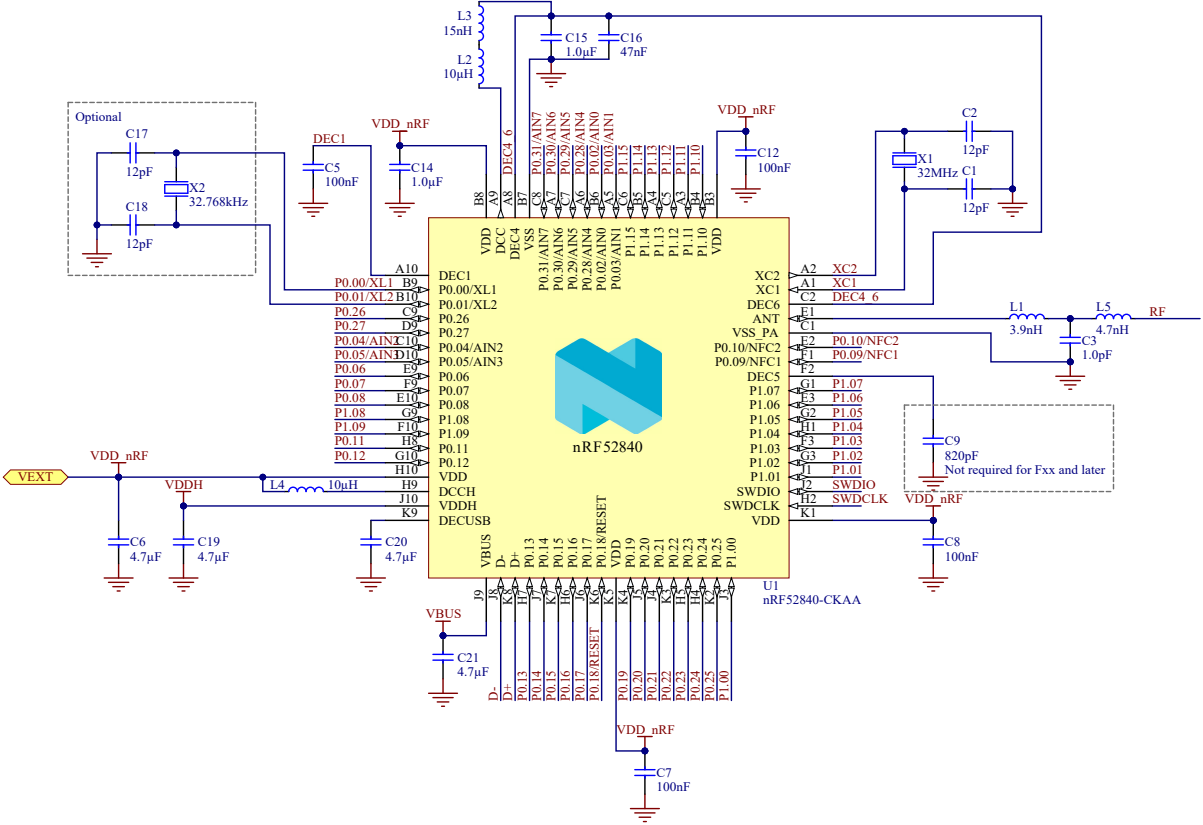


Figure 224: Circuit configuration no. 4 schematic for CKAA WLCSP

**Note:** For PCB reference layouts, see the product page for the nRF52840 on [www.nordicsemi.com](http://www.nordicsemi.com).

| Designator       | Value         | Description  | Footprint |
|------------------|---------------|--|-----------|
| C1, C2, C17, C18 | 12 pF         | Capacitor, NPO, $\pm 2\%$  | 0201      |
| C3               | 1.0 pF        | Capacitor, NPO, $\pm 5\%$  | 0201      |
| C5, C7, C8, C12  | 100 nF        | Capacitor, X7R, $\pm 10\%$   | 0201      |
| C6, C20          | 4.7 $\mu$ F   | Capacitor, X7R, $\pm 10\%$   | 0603      |
| C9               | 820 pF        | Capacitor, X7R, $\pm 10\%$<br>Not required for Fxx and later   | 0201      |
| C14, C15         | 1.0 $\mu$ F   | Capacitor, X7R, $\pm 10\%$   | 0603      |
| C16              | 47 nF         | Capacitor, X7R, $\pm 10\%$   | 0201      |
| C19, C21         | 4.7 $\mu$ F   | Capacitor, X7S, $\pm 10\%$   | 0603      |
| L1               | 3.9 nH        | High frequency chip inductor $\pm 5\%$   | 0201      |
| L2               | 10 $\mu$ H    | Chip inductor, IDC, min = 50 mA, $\pm 20\%$  | 0603      |
| L3               | 15 nH         | High frequency chip inductor $\pm 10\%$  | 0402      |
| L4               | 10 $\mu$ H    | Chip inductor, IDC, min = 80 mA, $\pm 10\%$  | 0603      |
| L5               | 4.7 nH        | High frequency chip inductor $\pm 5\%$   | 0201      |
| U1               | nRF52840-CKAA | Multiprotocol <i>Bluetooth</i> <sup>®</sup> low energy, IEEE 802.15.4, ANT, and 2.4 GHz proprietary System on Chip | WLCSP-94  |
| X1               | 32 MHz        | XTAL SMD 2016, 32 MHz, Cl=8 pF, Total Tol: $\pm 40$ ppm  | XTAL_2016 |
| X2               | 32.768 kHz    | XTAL SMD 2012, 32.768 kHz, Cl=9 pF, Total Tol: $\pm 50$ ppm  | XTAL_2012 |

Table 177: Bill of material for circuit configuration no. 4

### 7.3.13 Circuit configuration no. 5 for CKAA WLCSP

Circuit configuration number 5 for CKAA WLCSP, showing the schematic and the bill of materials.

| Config no. | Supply configuration |                        | Enabled features |         |         |     |     |
|------------|----------------------|------------------------|------------------|---------|---------|-----|-----|
|            | VDDH                 | VDD                    | EXTSUPPLY        | DCDCEN0 | DCDCEN1 | USB | NFC |
| Config. 5  | N/A                  | Battery/Ext. regulator | No               | No      | Yes     | Yes | Yes |

Table 178: Configuration summary for circuit configuration no. 5

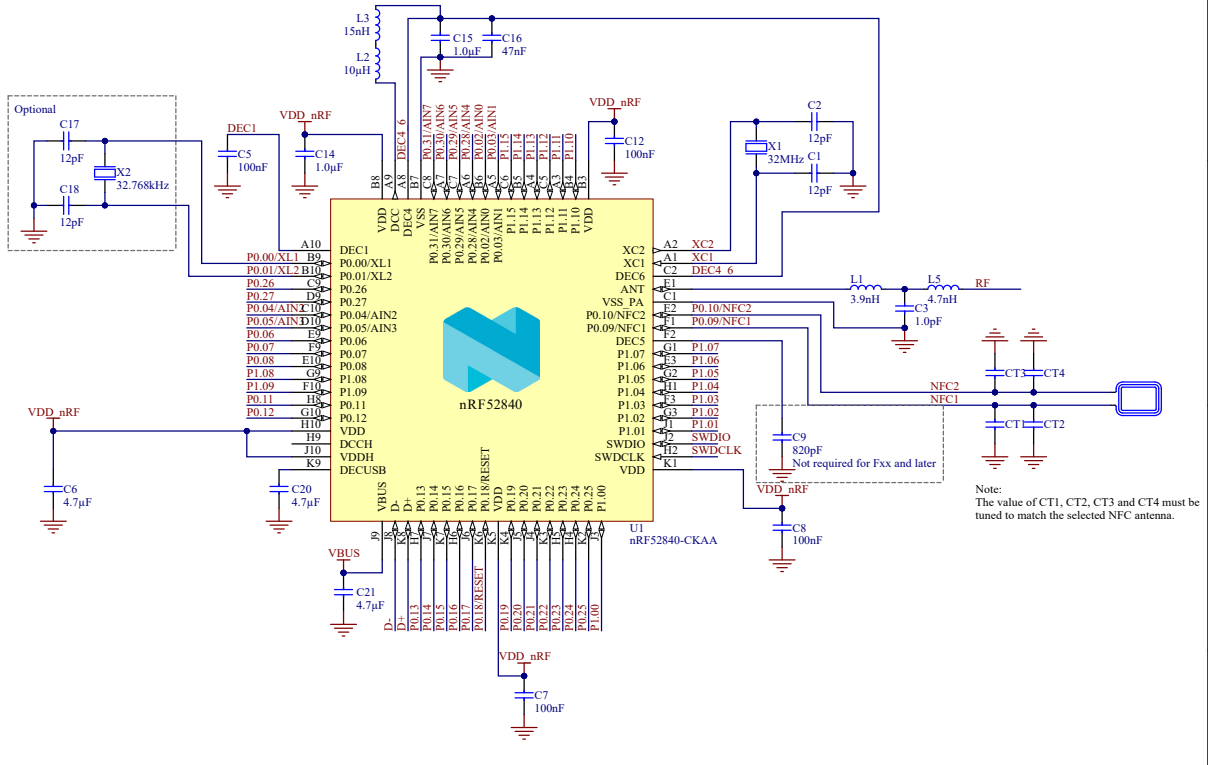


Figure 225: Circuit configuration no. 5 schematic for CKAA WLCSP

**Note:** For PCB reference layouts, see the product page for the nRF52840 on [www.nordicsemi.com](http://www.nordicsemi.com).

| Designator         | Value             | Description  | Footprint |
|--------------------|-------------------|--|-----------|
| C1, C2, C17, C18   | 12 pF             | Capacitor, NPO, $\pm 2\%$  | 0201      |
| C3                 | 1.0 pF            | Capacitor, NPO, $\pm 5\%$  | 0201      |
| C5, C7, C8, C12    | 100 nF            | Capacitor, X7R, $\pm 10\%$   | 0201      |
| C6, C20            | 4.7 $\mu$ F       | Capacitor, X7R, $\pm 10\%$   | 0603      |
| C9                 | 820 pF            | Capacitor, X7R, $\pm 10\%$<br>Not required for Fxx and later   | 0201      |
| C14, C15           | 1.0 $\mu$ F       | Capacitor, X7R, $\pm 10\%$   | 0603      |
| C16                | 47 nF             | Capacitor, X7R, $\pm 10\%$   | 0201      |
| C21                | 4.7 $\mu$ F       | Capacitor, X7S, $\pm 10\%$   | 0603      |
| CT1, CT2, CT3, CT4 | Antenna dependent | Capacitor, X7R, $\pm 10\%$   | 0201      |
| L1                 | 3.9 nH            | High frequency chip inductor $\pm 5\%$   | 0201      |
| L2                 | 10 $\mu$ H        | Chip inductor, IDC, min = 50 mA, $\pm 20\%$  | 0603      |
| L3                 | 15 nH             | High frequency chip inductor $\pm 10\%$  | 0402      |
| L5                 | 4.7 nH            | High frequency chip inductor $\pm 5\%$   | 0201      |
| U1                 | nRF52840-CKAA     | Multiprotocol <i>Bluetooth</i> <sup>®</sup> low energy, IEEE 802.15.4, ANT, and 2.4 GHz proprietary System on Chip | WLCSP-94  |
| X1                 | 32 MHz            | XTAL SMD 2016, 32 MHz, Cl=8 pF, Total Tol: $\pm 40$ ppm  | XTAL_2016 |
| X2                 | 32.768 kHz        | XTAL SMD 2012, 32.768 kHz, Cl=9 pF, Total Tol: $\pm 50$ ppm  | XTAL_2012 |

Table 179: Bill of material for circuit configuration no. 5

### 7.3.14 Circuit configuration no. 6 for CKAA WLCSP

Circuit configuration number 6 for CKAA WLCSP, showing the schematic and the bill of materials.

| Config no. | Supply configuration |                        | Enabled features |         |         |     |     |
|------------|----------------------|------------------------|------------------|---------|---------|-----|-----|
|            | VDDH                 | VDD                    | EXTSUPPLY        | DCDCEN0 | DCDCEN1 | USB | NFC |
| Config. 6  | N/A                  | Battery/Ext. regulator | No               | No      | No      | No  | No  |

Table 180: Configuration summary for circuit configuration no. 6

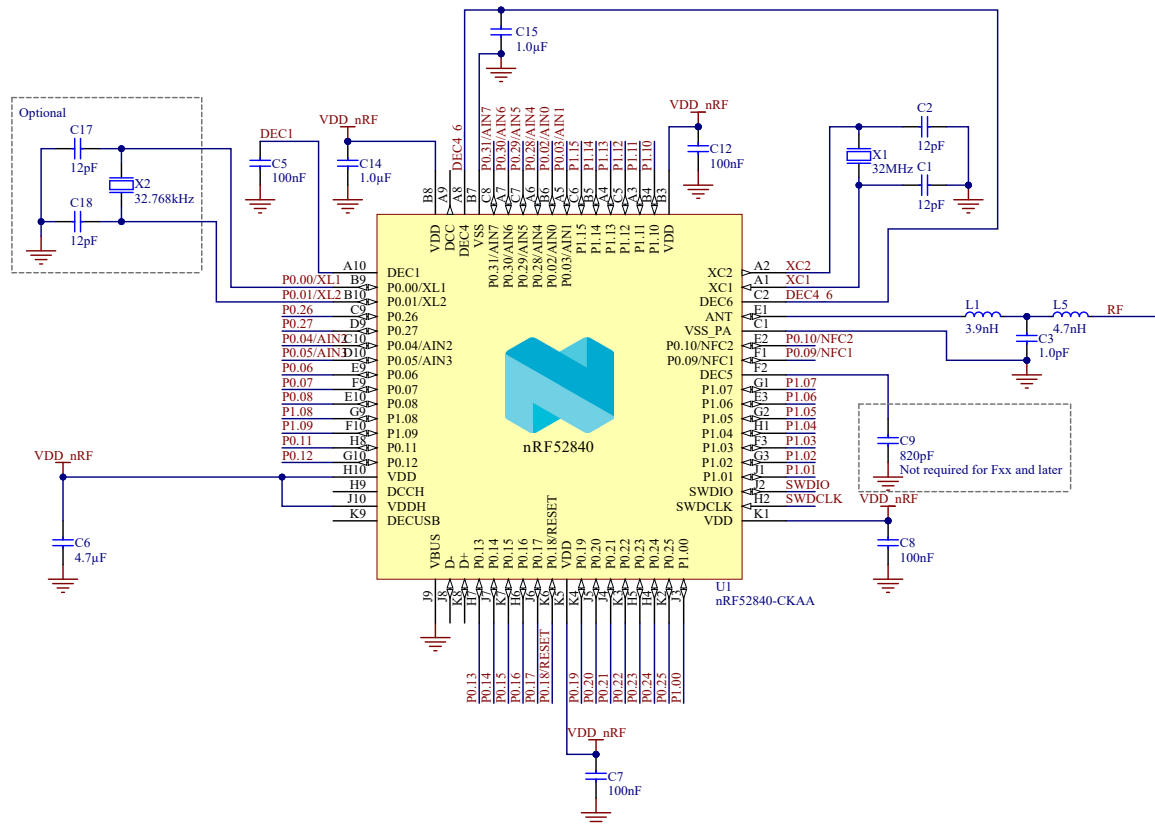


Figure 226: Circuit configuration no. 6 schematic for CKAA WLCSP

**Note:** For PCB reference layouts, see the product page for the nRF52840 on [www.nordicsemi.com](http://www.nordicsemi.com).

| Designator       | Value         | Description  | Footprint |
|------------------|---------------|--|-----------|
| C1, C2, C17, C18 | 12 pF         | Capacitor, NP0, $\pm 2\%$  | 0201      |
| C3               | 1.0 pF        | Capacitor, NP0, $\pm 5\%$  | 0201      |
| C5, C7, C8, C12  | 100 nF        | Capacitor, X7R, $\pm 10\%$   | 0201      |
| C6               | 4.7 $\mu$ F   | Capacitor, X7R, $\pm 10\%$   | 0603      |
| C9               | 820 pF        | Capacitor, X7R, $\pm 10\%$<br>Not required for Fxx and later   | 0201      |
| C14, C15         | 1.0 $\mu$ F   | Capacitor, X7R, $\pm 10\%$   | 0603      |
| L1               | 3.9 nH        | High frequency chip inductor $\pm 5\%$   | 0201      |
| L5               | 4.7 nH        | High frequency chip inductor $\pm 5\%$   | 0201      |
| U1               | nRF52840-CKAA | Multiprotocol <i>Bluetooth</i> <sup>®</sup> low energy, IEEE 802.15.4, ANT, and 2.4 GHz proprietary System on Chip | WLCSP-94  |
| X1               | 32 MHz        | XTAL SMD 2016, 32 MHz, Cl=8 pF, Total Tol: $\pm 40$ ppm  | XTAL_2016 |
| X2               | 32.768 kHz    | XTAL SMD 2012, 32.768 kHz, Cl=9 pF, Total Tol: $\pm 50$ ppm  | XTAL_2012 |

Table 181: Bill of material for circuit configuration no. 6

### 7.3.15 PCB guidelines

A well designed PCB is necessary to achieve good RF performance. Poor layout can lead to loss in performance or functionality.

A qualified RF layout for the IC and its surrounding components, including matching networks, can be downloaded from [www.nordicsemi.com](http://www.nordicsemi.com).

To ensure optimal performance it is essential that you follow the schematics and layout references closely. Especially in the case of the antenna matching circuitry (components between device pin ANT and the antenna), any changes to the layout can change the behavior, resulting in degradation of RF performance or a need to change component values. All reference circuits are designed for use with a 50  $\Omega$  single-ended antenna.

A PCB with a minimum of two layers, including a ground plane, is recommended for optimal RF performance. On PCBs with more than two layers, put a keep-out area on the inner layers directly below the antenna matching circuitry (components between device pin ANT and the antenna) to reduce the stray capacitances that influence RF performance.

A matching network is needed between the RF pin ANT and the antenna, to match the antenna impedance (normally 50  $\Omega$ ) to the optimum RF load impedance for the chip. For optimum performance, the impedance for the matching network should be set as described in the recommended aQFN<sup>™</sup> 73 package reference circuitry from [Circuit configuration no. 1 for QIAA aQFN73](#) on page 590, the recommended QFN48 reference circuitry from [Circuit configuration no. 1 for QFAA QFN48](#) on page 604, or the recommended WLCSP reference circuitry from [Circuit configuration no. 1 for CKAA WLCSP](#) on page 606 depending on the package variant used in your design.

The DC supply voltage should be decoupled as close as possible to the VDD pins with high performance RF capacitors. See the schematics for recommended decoupling capacitor values. The supply voltage for the chip should be filtered and routed separately from the supply voltages of any digital circuitry.

Long power supply lines on the PCB should be avoided. All device grounds, VDD connections, and VDD bypass capacitors must be connected as close as possible to the IC. For a PCB with a topside RF ground

plane, the VSS pins should be connected directly to the ground plane. For a PCB with a bottom ground plane, the best technique is to have via holes as close as possible to the VSS pads. A minimum of one via hole should be used for each VSS pin.

Fast switching digital signals should not be routed close to the crystal or the power supply lines. Capacitive loading of fast switching digital output lines should be minimized in order to avoid radio interference. Avoid routing the 32MHz crystal lines close to antenna line and antenna ground.

### 7.3.16 PCB layout example

The PCB layout shown in the following figures is a reference layout for the aQFN™ package with internal LDO setup and VBUS supply.

**Note:** Pay attention to how the capacitor C3 is grounded. It is not directly connected to the ground plane, but grounded via VSS\_PA pin F23. This is done to create additional filtering of harmonic components.

For all available reference layouts, see the product page for the nRF52840 on [www.nordicsemi.com](http://www.nordicsemi.com).

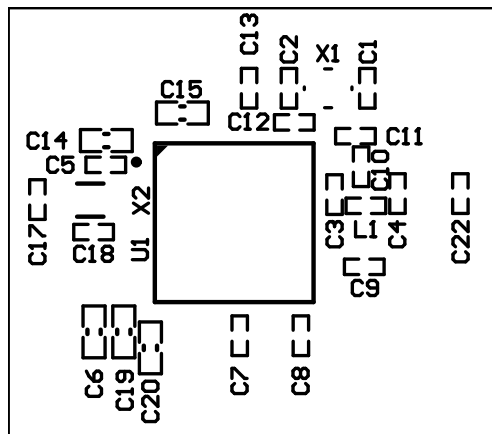


Figure 227: Top silk layer

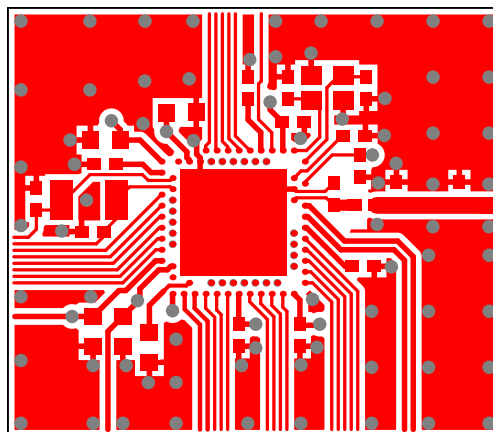


Figure 228: Top layer

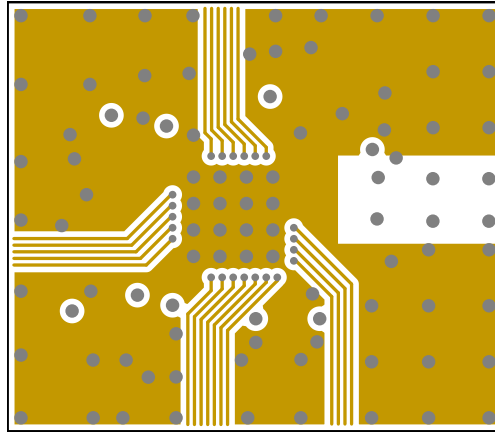


Figure 229: Mid layer 1

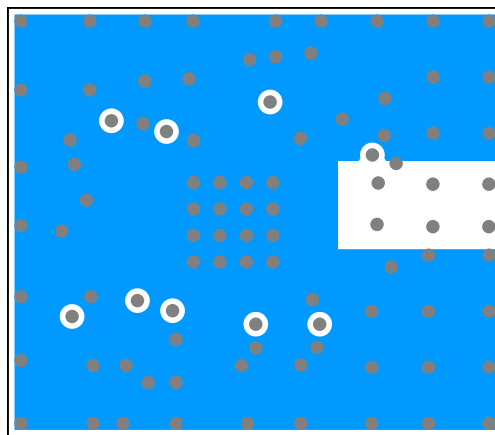


Figure 230: Mid layer 2

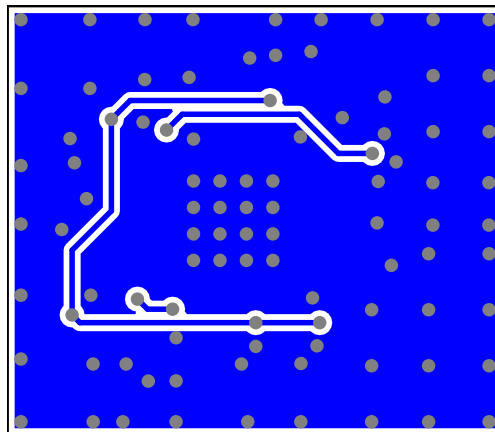


Figure 231: Bottom layer

**Note:** No components in bottom layer.

### 7.3.17 PMIC support

The nRF52 Series is comprehensively supported by Nordic Semiconductor's own range of PMICs (Power Management Integrated Circuits). These PMICs are meticulously designed to enhance the performance and efficiency of the nRF52 Series devices. This integration ensures the longest battery life and the highest reliability for the end application. The synergy between the nRF52 Series and the Nordic PMICs highlights



Nordic Semiconductor's commitment to providing a complete and cohesive solution for their customers' needs in wireless technology applications.

## 7.4 Package thermal characteristics

A summary of the thermal characteristics for the different packages available for the IC can be found below.

| Symbol               | Package | Typ.  | Unit |
|----------------------|---------|-------|------|
| $\theta_{JA,aQFN73}$ | aQFN73  | 24.11 | °C/W |
| $\theta_{JA,QFN48}$  | QFN48   | 22.37 | °C/W |
| $\theta_{JA,WLCSP}$  | WLCSP   | 36.55 | °C/W |

Table 182: Package thermal characteristics

Values obtained by simulation following the EIA/JESD51-2 for still air condition using JEDEC PCB.

## 7.5 Package Variation

The following describes the variation between this specification and a specific device package.

### 7.5.1 QFN48

The following section describes the package variation of the QFN48 package.

- The QFN48 package does not support USBD.
- VDD and VDDH are short circuited inside the QFN48 package. Therefore the device is only usable in Normal Voltage supply mode, and not High Voltage supply mode. See [POWER — Power supply](#) on page 64 for more information.

The parameter variation when using the QFN48 package is as following:

| Symbol                  | Min. | Typ.              | Max. | Unit |
|-------------------------|------|-------------------|------|------|
| $P_{SENS,IT,SP,1M,BLE}$ |      | -95               |      | dBm  |
| $P_{RF}$                |      | 7.5 <sup>44</sup> |      | dBm  |

Table 183: QFN48 package parameter variation

<sup>44</sup> Achieved using  $P_{OS}8$  dBm setting in [RADIO.TXPOWER](#)

# 8 Recommended operating conditions

The operating conditions are the physical parameters that the chip can operate within.

| Symbol              | Parameter                                       | Min. | Nom. | Max. | Units |
|---------------------|---|------|------|------|-------|
| VDD                 | VDD supply voltage, independent of DCDC enable  | 1.7  | 3.0  | 3.6  | V     |
| VDDPOR              | VDD supply voltage needed during power-on reset | 1.75 |      |      | V     |
| VDDH                | VDDH supply voltage, independent of DCDC enable | 2.5  | 3.7  | 5.5  | V     |
| VBUS                | VBUS USB supply voltage                         | 4.35 | 5.0  | 5.5  | V     |
| t <sub>R_VDD</sub>  | Supply rise time (0 V to 1.7 V)                 |      |      | 60   | ms    |
| t <sub>R_VDDH</sub> | Supply rise time (0 V to 3.7 V)                 |      |      | 100  | ms    |
| T <sub>A</sub>      | Operating temperature                           | -40  | 25   | 85   | °C    |
| T <sub>J</sub>      | Junction temperature                            |      |      | 90   | °C    |

Table 184: Recommended operating conditions

**Note:** The on-chip power-on reset circuitry may not function properly for rise times longer than the specified maximum.

## 8.1 WLCSP light sensitivity

All WLCSP package variants are sensitive to visible and close-range infrared light. This means that a final product design must shield the chip properly, either by final product encapsulation or by shielding/coating of the WLCSP device.

Some WLCSP package variants have a backside coating, where the marking side of the device is covered with a light absorbing film, while the side edges and the ball side of the device are still exposed and need to be protected. Other WLCSP package variants do not have any such protection.

The WLCSP package variant CKA has a backside coating.

# 9 Absolute maximum ratings

Maximum ratings are the extreme limits to which the chip can be exposed for a limited amount of time without permanently damaging it. Exposure to absolute maximum ratings for prolonged periods of time may affect the reliability of the device.<sup>45</sup>

|   | Note                       | Min.   | Max.      | Unit               |
|---|----------------------------|--------|-----------|--------------------|
| <b>Supply voltages</b>                              |                            |        |           |                    |
| VDD   |                            | -0.3   | +3.9      | V                  |
| VDDH  |                            | -0.3   | +5.8      | V                  |
| VBUS  |                            | -0.3   | +5.8      | V                  |
| VSS   |                            |        | 0         | V                  |
| <b>I/O pin voltage</b>                              |                            |        |           |                    |
| $V_{I/O}$ , VDD $\leq$ 3.6 V                        |                            | -0.3   | VDD + 0.3 | V                  |
| $V_{I/O}$ , VDD $>$ 3.6 V                           |                            | -0.3   | 3.9       | V                  |
| <b>NFC antenna pin current</b>                      |                            |        |           |                    |
| $I_{NFC1/2}$  |                            |        | 80        | mA                 |
| <b>Radio</b>  |                            |        |           |                    |
| RF input level                                      |                            |        | 10        | dBm                |
| <b>Environmental aQFN™ 73 package</b>               |                            |        |           |                    |
| Storage temperature                                 |                            | -40    | +125      | °C                 |
| MSL   | Moisture Sensitivity Level |        | 2         |                    |
| ESD HBM   | Human Body Model           |        | 2         | kV                 |
| ESD HBM Class                                       | Human Body Model Class     |        | 2         |                    |
| ESD CDM   | Charged Device Model       |        | 450       | V                  |
| <b>Environmental QFN48 package</b>                  |                            |        |           |                    |
| Storage temperature                                 |                            | -40    | +125      | °C                 |
| MSL   | Moisture Sensitivity Level |        | 2         |                    |
| ESD HBM   | Human Body Model           |        | 4         | kV                 |
| ESD HBM Class                                       | Human Body Model Class     |        | 3A        |                    |
| ESD CDM   | Charged Device Model       |        | 1         | kV                 |
| <b>Environmental WLCSP 3.544 x 3.607 mm package</b> |                            |        |           |                    |
| Storage temperature                                 |                            | -40    | +125      | °C                 |
| MSL   | Moisture Sensitivity Level |        | 1         |                    |
| ESD HBM   | Human Body Model           |        | 1         | kV                 |
| ESD HBM Class                                       | Human Body Model Class     |        | 1C        |                    |
| ESD CDM   | Charged Device Model       |        | 500       | V                  |
| <b>Flash memory</b>                                 |                            |        |           |                    |
| Endurance   |                            | 10 000 |           | write/erase cycles |
| Retention at 85 °C                                  |                            | 10     |           | years              |

Table 185: Absolute maximum ratings

<sup>45</sup> For accelerated life time testing (HTOL, etc) supply voltage should not exceed the recommended operating conditions max value, see [Recommended operating conditions](#) on page 622.



# 10 Ordering information

This chapter contains information on device marking, ordering codes, and container sizes.

## 10.1 Device marking

The nRF52840 package is marked as shown in the following figure. Only the first two characters of the function variant code are used in the <VV> entry.

|    |    |    |    |     |     |
|----|----|----|----|-----|-----|
| N  | 5  | 2  | 8  | 4   | 0   |
| <P | P> | <V | V> | <H> | <P> |
| <Y | Y> | <W | W> | <L  | L>  |

Figure 232: Package marking

## 10.2 Box labels

The following figures show the box labels used for nRF52840.



Figure 233: Inner box label













|  |   |
|--|---|
|   |   |
| <b>FROM:</b><br>  | <b>TO:</b><br>  |
| <b>PART NO: (1P) &lt;Nordic device order code&gt;</b><br> <div style="float: right; border: 1px solid black; padding: 2px;">                 &lt;H&gt;&lt;P&gt;&lt;F&gt;             </div>     |   |
| <b>CUSTOMER PO NO: (K) &lt;Customer Purchase Order No.&gt;</b><br> <div style="float: right; border: 1px solid black; border-radius: 50%; padding: 2px;">                 Pb             </div> |   |
| <b>SALES ORDER NO: (14K) &lt;Nordic Sales Order+Sales order line no.+ Delivery line no.&gt;</b><br>   |   |
| <b>SHIPMENT ID.: 2K &lt;Nordic's shipment ID.&gt;</b><br>   |   |
| <b>QUANTITY: (Q) &lt;Total quantity&gt;</b><br>   |   |
| <b>COUNTRY OF ORIGIN.: 4L</b><br><2- character code of COO><br>   | <b>CARTON NO:</b><br>x/n  |
| <b>DELIVERY NO.: (9K) &lt;Shipper's shipment no.&gt;</b><br>  | <b>GROSS WEIGHT:</b><br> KGS  |

Figure 234: Outer box label

### 10.3 Order code

The following are the order codes and definitions for nRF52840.

|   |   |   |   |   |   |   |   |   |    |    |    |    |   |    |    |
|---|---|---|---|---|---|---|---|---|----|----|----|----|---|----|----|
| n | R | F | 5 | 2 | 8 | 4 | 0 | - | <P | P> | <V | V> | - | <C | C> |
|---|---|---|---|---|---|---|---|---|----|----|----|----|---|----|----|

Figure 235: Order code

| Abbreviation | Definition and implemented codes   |
|--------------|--|
| N52/nRF52    | nRF52 Series product   |
| 840          | Part code  |
| <PP>         | Package variant code   |
| <VV>         | Function variant code  |
| <H><P><F>    | Build code<br>H - Hardware version code<br>P - Production configuration code (production site, etc.)<br>F - Firmware version code (only visible on shipping container label) |
| <YY><WW><LL> | Tracking code<br>YY - Year code<br>WW - Assembly week number<br>LL - Wafer lot code  |
| <CC>         | Container code   |

Table 186: Abbreviations

## 10.4 Code ranges and values

Defined here are the nRF52840 code ranges and values.

| <PP> | Package | Size (mm)     | Pin/Ball count | Pitch (mm) |
|------|---------|---------------|----------------|------------|
| QI   | aQFN™   | 7 x 7         | 73             | 0.5        |
| QF   | QFN     | 6 x 6         | 48             | 0.4        |
| CK   | WLCSP   | 3.544 x 3.607 | 94             | 0.35       |

Table 187: Package variant codes

| <VV> | Flash (kB) | RAM (kB) | Access port protection              |
|------|------------|----------|-------------------------------------|
| AA   | 1024       | 256      | Controlled by hardware              |
| AA-F | 1024       | 256      | Controlled by hardware and software |

Table 188: Function variant codes

| <H>       | Description  |
|-----------|--|
| [A . . Z] | Hardware version/revision identifier (incremental) |

Table 189: Hardware version codes

| <P>       | Description                                 |
|-----------|---|
| [0 . . 9] | Production device identifier (incremental)  |
| [A . . Z] | Engineering device identifier (incremental) |

Table 190: Production configuration codes

| <F>                | Description                              |
|--------------------|--|
| [A . . N, P . . Z] | Version of preprogrammed firmware        |
| [0]                | Delivered without preprogrammed firmware |

Table 191: Production version codes

| <YY>        | Description                   |
|-------------|-------------------------------|
| [00 . . 99] | Production year: 2000 to 2099 |

Table 192: Year codes

| <WW>       | Description        |
|------------|--------------------|
| [1 . . 52] | Week of production |

Table 193: Week codes

| <LL>        | Description                     |
|-------------|---------------------------------|
| [AA . . ZZ] | Wafer production lot identifier |

Table 194: Lot codes

| <CC> | Description |
|------|-------------|
| R7   | 7" Reel     |
| R    | 13" Reel    |
| T    | Tray        |

Table 195: Container codes

## 10.5 Product options

Defined here are the nRF52840 product options.



| Order code         | MOQ <sup>46</sup> | Comment                         |
|--------------------|-------------------|---------------------------------|
| nRF52840-QIAA-R7   | 800               | Not recommended for new designs |
| nRF52840-QIAA-R    | 3000              | Not recommended for new designs |
| nRF52840-QIAA-T    | 260               | Not recommended for new designs |
| nRF52840-QIAA-F-R  | 3000              |                                 |
| nRF52840-QIAA-F-T  | 260               |                                 |
| nRF52840-QIAA-F-R7 | 800               |                                 |
| nRF52840-QFAA-F-R  | 3000              |                                 |
| nRF52840-QFAA-F-R7 | 800               |                                 |
| nRF52840-CKAA-R    | 7000              | Not recommended for new designs |
| nRF52840-CKAA-F-R  | 7000              |                                 |

Table 196: nRF52840 order codes

| Order code  | Description              |
|-------------|--------------------------|
| nRF52840-DK | nRF52840 Development Kit |

Table 197: Development tools order code

<sup>46</sup> Minimum Ordering Quantity

# 11 Legal notices

By using this documentation you agree to our terms and conditions of use. Nordic Semiconductor may change these terms and conditions at any time without notice.

## Liability disclaimer

Nordic Semiconductor ASA reserves the right to make changes without further notice to the product to improve reliability, function, or design. Nordic Semiconductor ASA does not assume any liability arising out of the application or use of any product or circuits described herein.

Nordic Semiconductor ASA does not give any representations or warranties, expressed or implied, as to the accuracy or completeness of such information and shall have no liability for the consequences of use of such information. If there are any discrepancies, ambiguities or conflicts in Nordic Semiconductor's documentation, the Product Specification prevails.

Nordic Semiconductor ASA reserves the right to make corrections, enhancements, and other changes to this document without notice.

Customer represents that, with respect to its applications, it has all the necessary expertise to create and implement safeguards that anticipate dangerous consequences of failures, monitor failures and their consequences, and lessen the likelihood of failures that might cause harm, and to take appropriate remedial actions.

Nordic Semiconductor ASA assumes no liability for applications assistance or the design of customers' products. Customers are solely responsible for the design, validation, and testing of its applications as well as for compliance with all legal, regulatory, and safety-related requirements concerning its applications.

Nordic Semiconductor ASA's products are not designed for use in life-critical medical equipment, support appliances, devices, or systems where malfunction of Nordic Semiconductor ASA's products can reasonably be expected to result in personal injury. Customer may not use any Nordic Semiconductor ASA's products in life-critical medical equipment unless adequate design and operating safeguards by customer's authorized officers have been made. Customer agrees that prior to using or distributing any life-critical medical equipment that include Nordic Semiconductor ASA's products, customer will thoroughly test such systems and the functionality of such products as used in such systems.

Customer will fully indemnify Nordic Semiconductor ASA and its representatives against any damages, costs, losses, and/or liabilities arising out of customer's non-compliance with this section.

## RoHS and REACH statement

Refer to [www.nordicsemi.com](http://www.nordicsemi.com) for complete hazardous substance reports, material composition reports, and latest version of Nordic's RoHS and REACH statements.

## Trademarks

All trademarks, service marks, trade names, product names, and logos appearing in this documentation are the property of their respective owners.

## Copyright notice

© 2023 Nordic Semiconductor ASA. All rights are reserved. Reproduction in whole or in part is prohibited without the prior written permission of the copyright holder.

