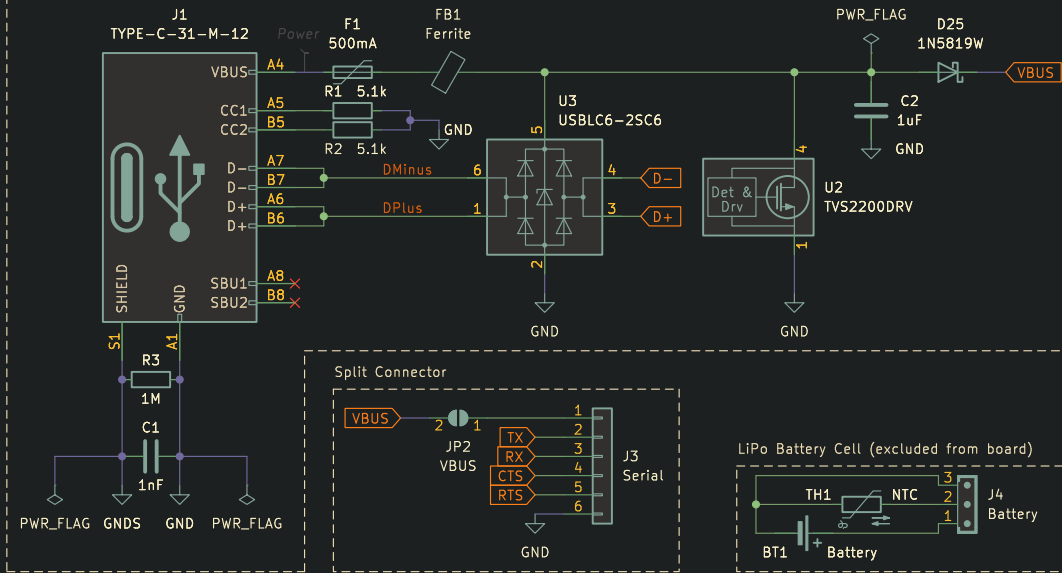
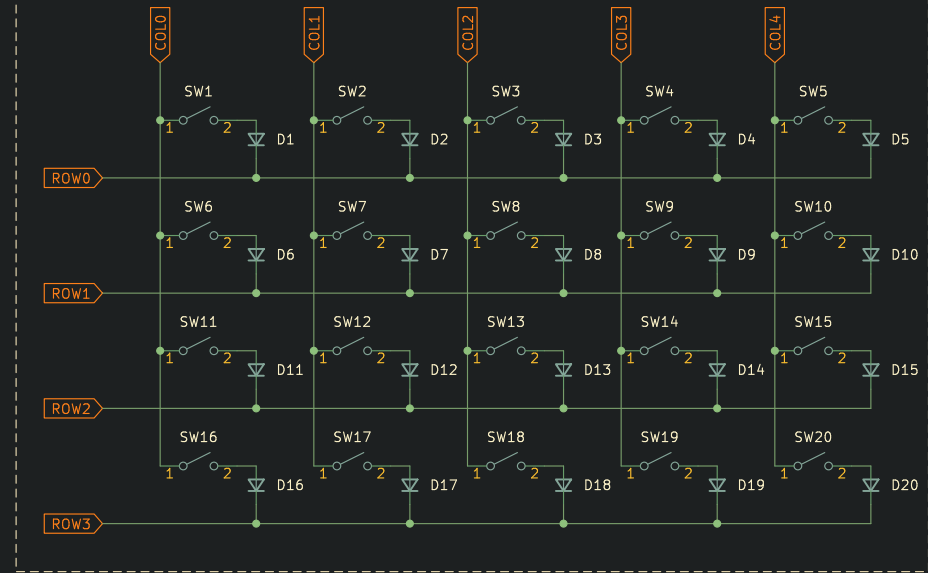


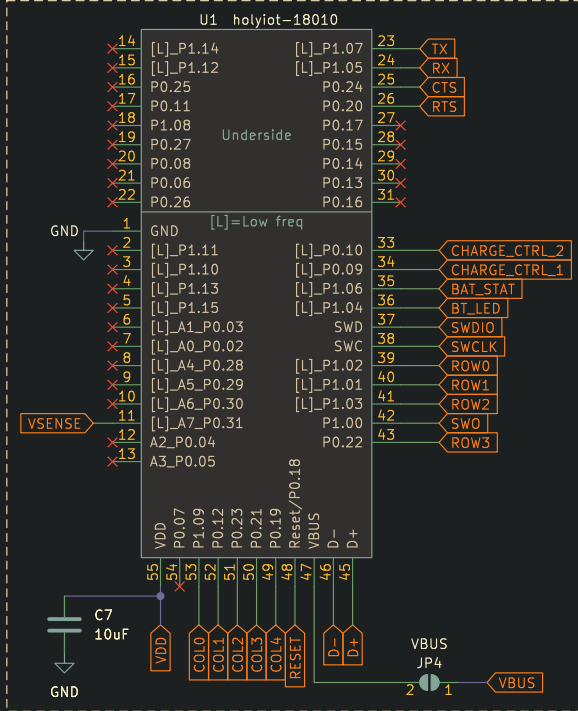
USB and ESD/Surge protection



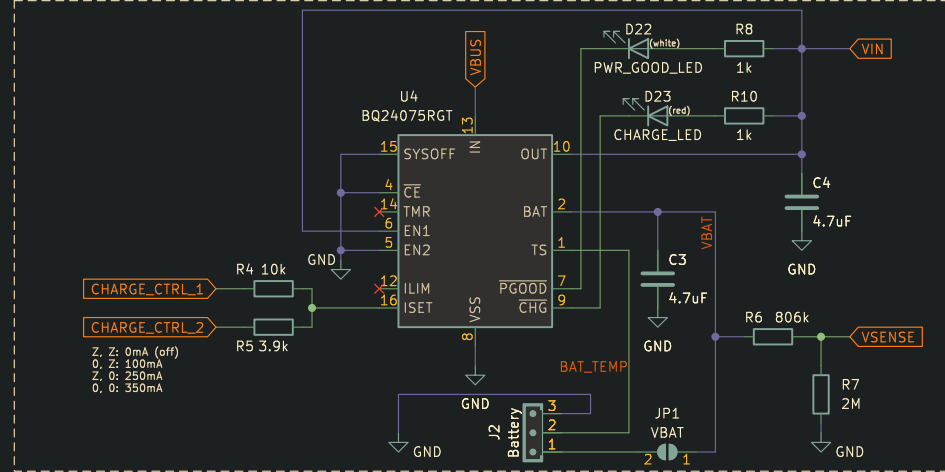
Matrix



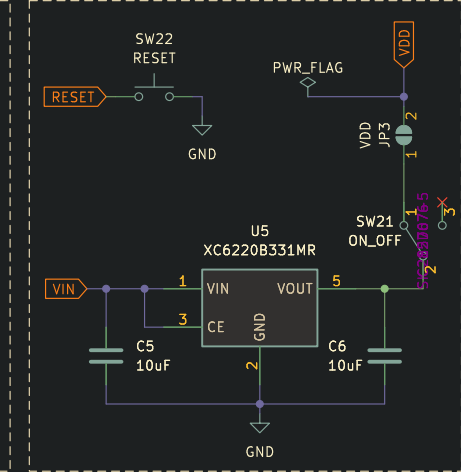
MCU



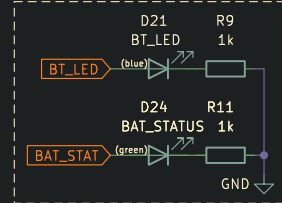
Battery Charging and Input Power Selection



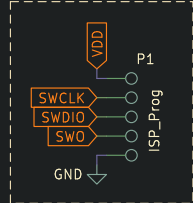
Voltage Regulation, On/Off, Reset, Battery Check



Status LEDs



Programming Pogo Pins



Mechanical



Designer: Michael Rommel  
 Github: <https://github.com/michaelrommel/nightliner>  
 Project: <https://michaelrommel.com/create/2023-10-21-nightliner>

**Layer-7 Technologies**  
 Sheet: /  
 File: nightliner.kicad\_sch  
**Title: nightliner – a split wireless keyboard**

Size: A4	Date: 2023-10-21	Rev: 0.1
KiCad E.D.A. kicad 7.0.7		Id: 1/1